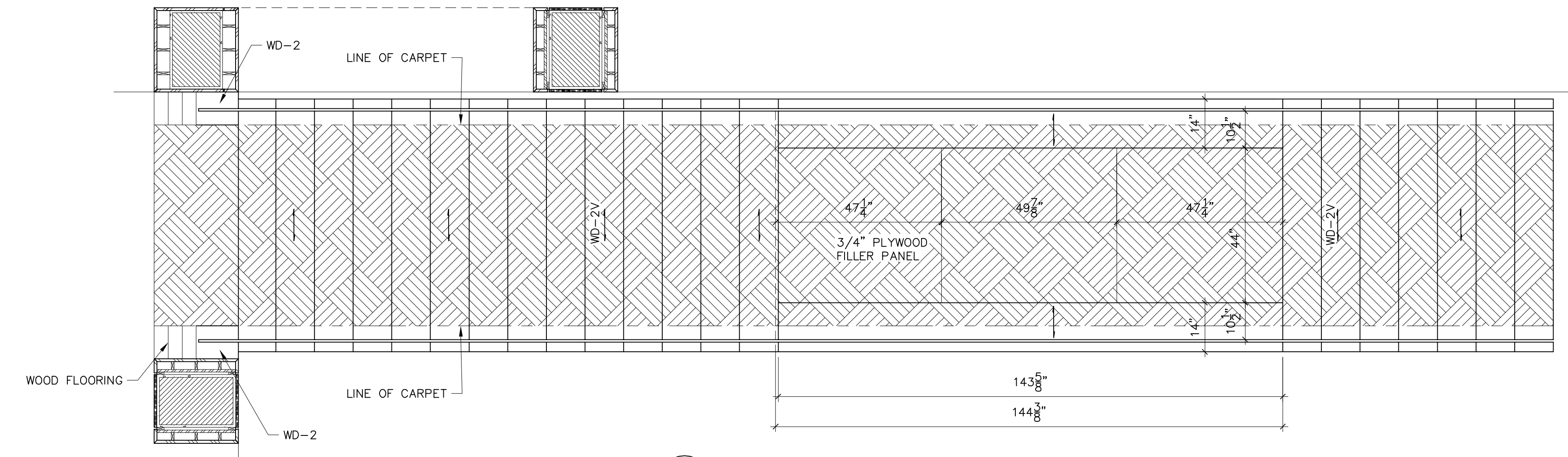


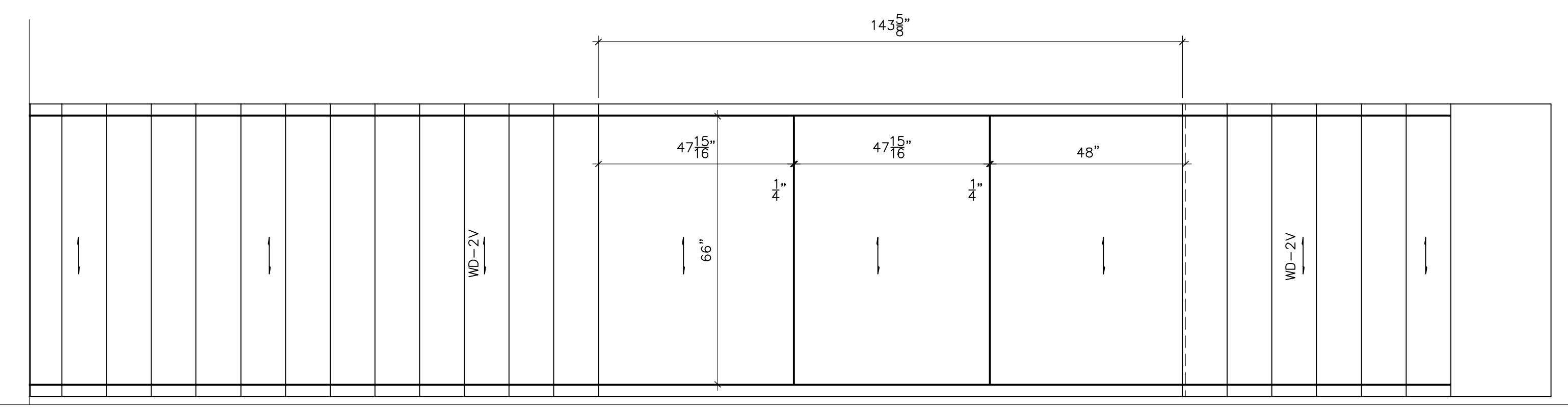
**A REAR ELEVATION**  
 8-15 SCALE: 1/2" = 1'- 0"  
 ARCH. REF:

**B ELEVATION**  
 8-15 SCALE: 1/2" = 1'- 0"  
 ARCH. REF:

**C REAR ELEVATION**  
 8-15 SCALE: 1/2" = 1'- 0"  
 ARCH. REF:



**D PLAN VIEW**  
 8-15 SCALE: 1/2" = 1'- 0"  
 ARCH. REF:



**E BOTTOM VIEW**  
 8-15 SCALE: 1/2" = 1'- 0"  
 ARCH. REF:

**NOTES:**

- WD-2V QUARTERED MAHOGANY VENEER
- WD-4 EBONIZED MAPLE

DOUBLE CHECK BY: \_\_\_\_\_ DATE: \_\_\_\_\_

FIELD LAYOUT BY: \_\_\_\_\_ DATE: \_\_\_\_\_

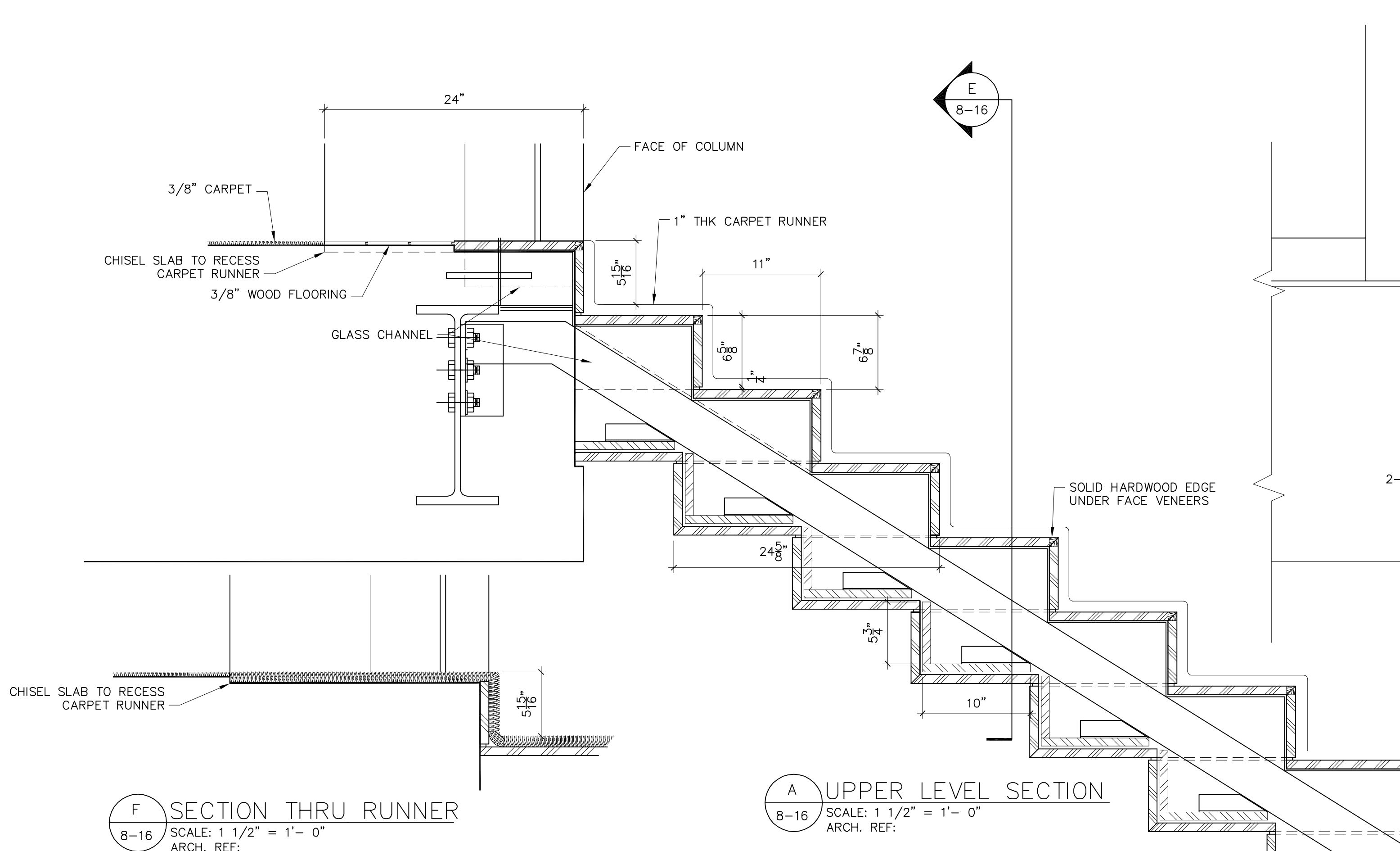
NO.	REVISIONS
7.	
6.	
5.	
4.	
3.	
2.	
1.	

JOB NAME:  
**CORPORATE OFFICE**  
 CHARLOTTE, NC

DRAWING NAME:  
**STAIR DETAILS**  
**STAIR #1**

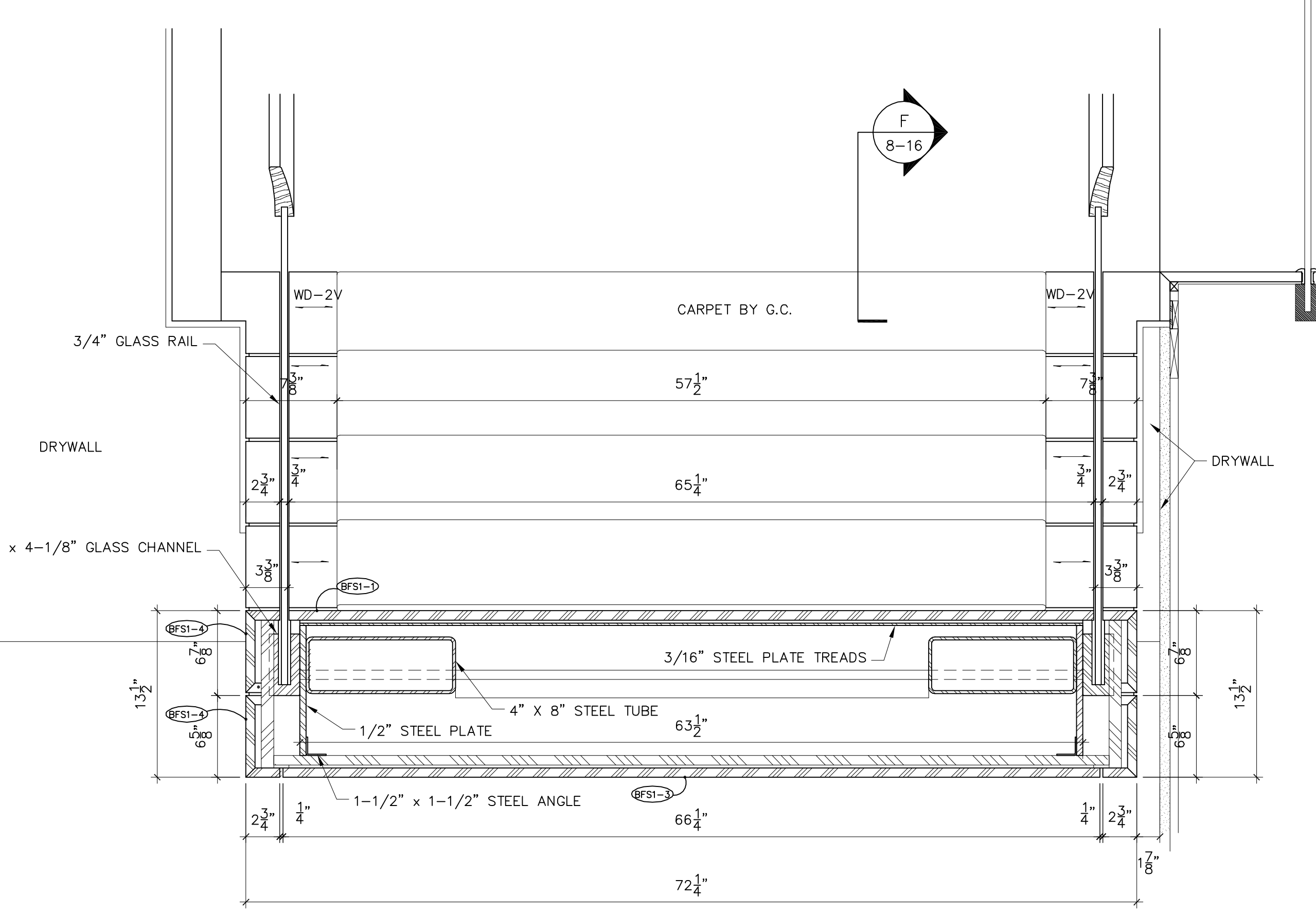
DRAWN BY: \_\_\_\_\_ DRAWING DATE: 10/25/99

JOB NO. \_\_\_\_\_ DRAWING NO. 8-15

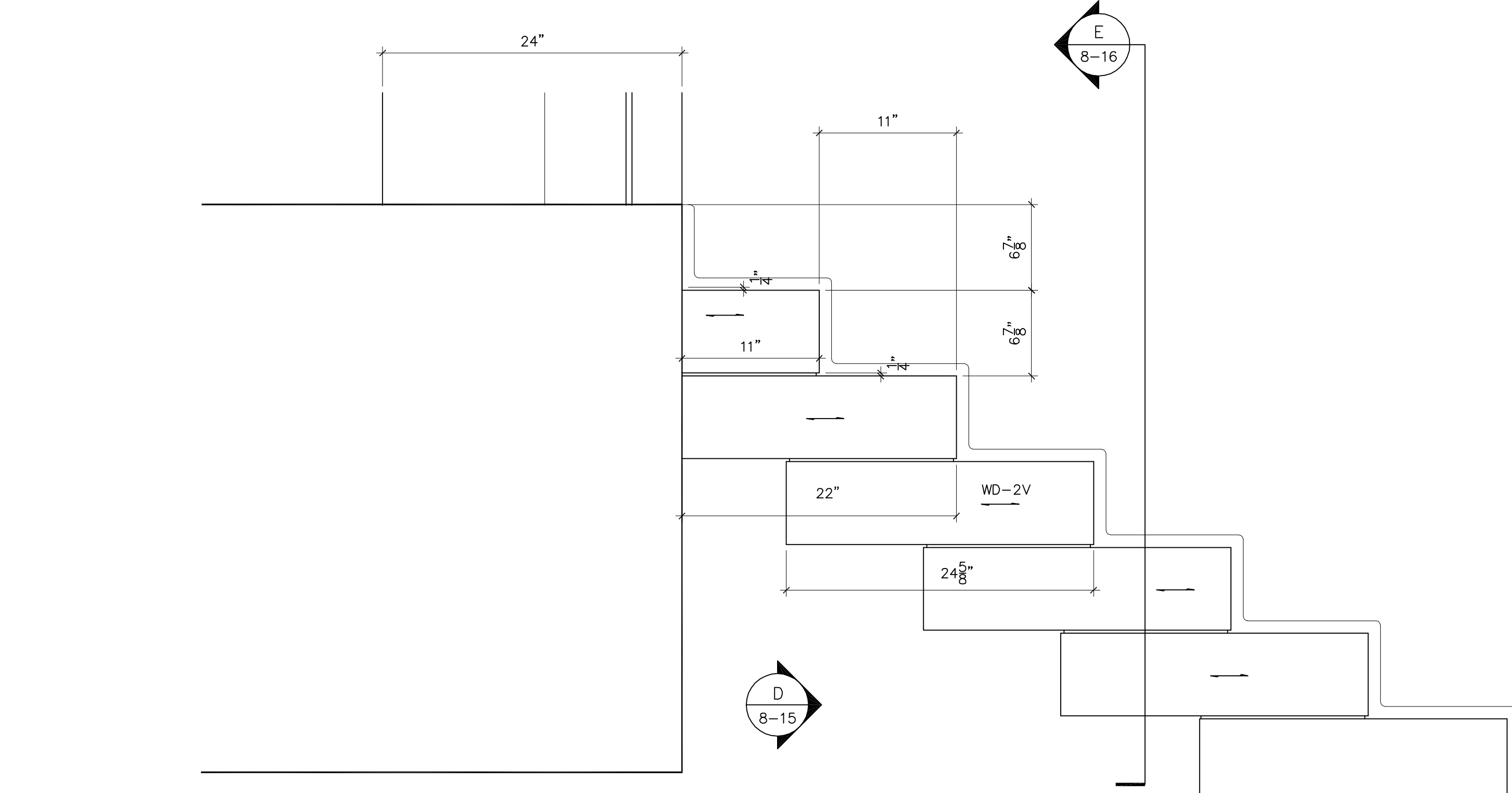


**F SECTION THRU RUNNER**  
8-16 SCALE: 1 1/2" = 1'-0"  
ARCH. REF:

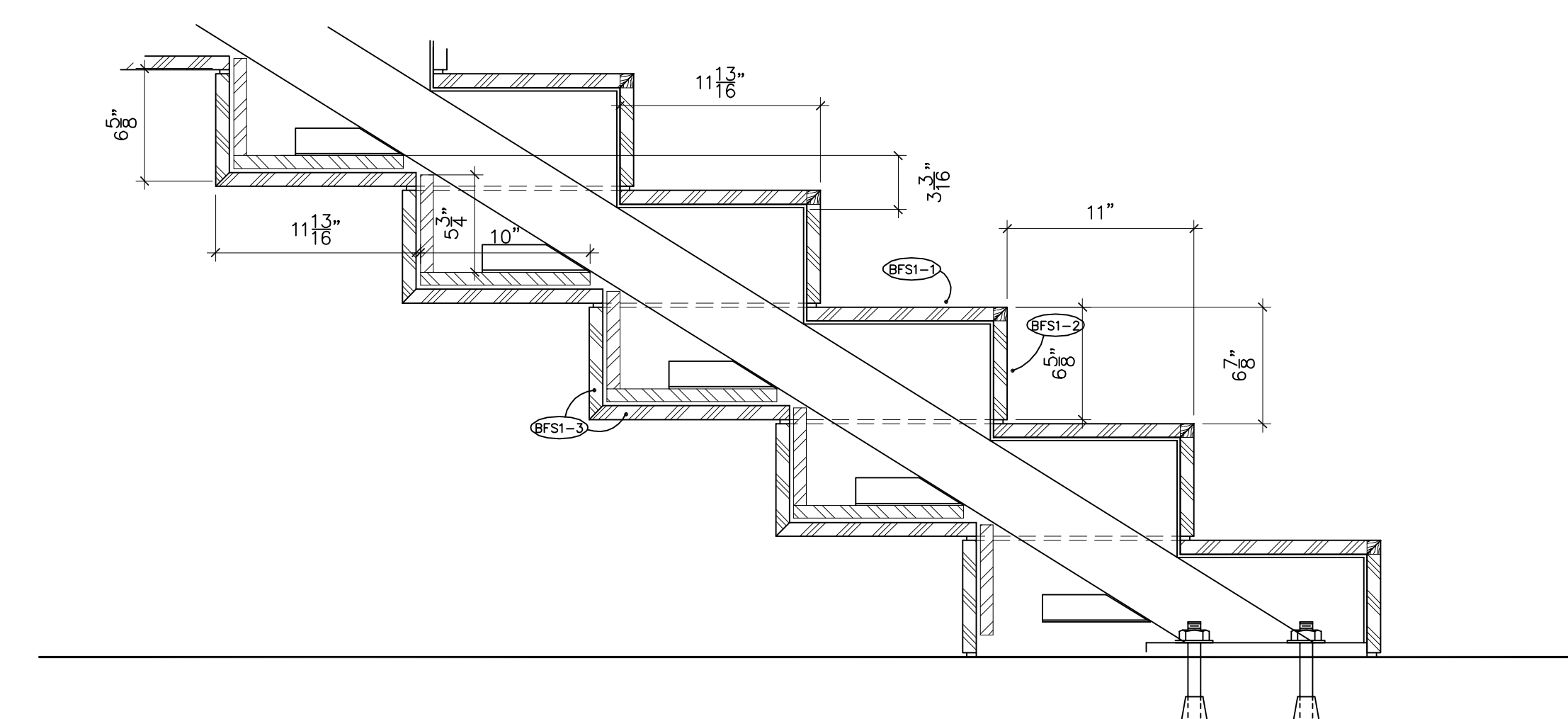
**A UPPER LEVEL SECTION**  
8-16 SCALE: 1 1/2" = 1'-0"  
ARCH. REF:



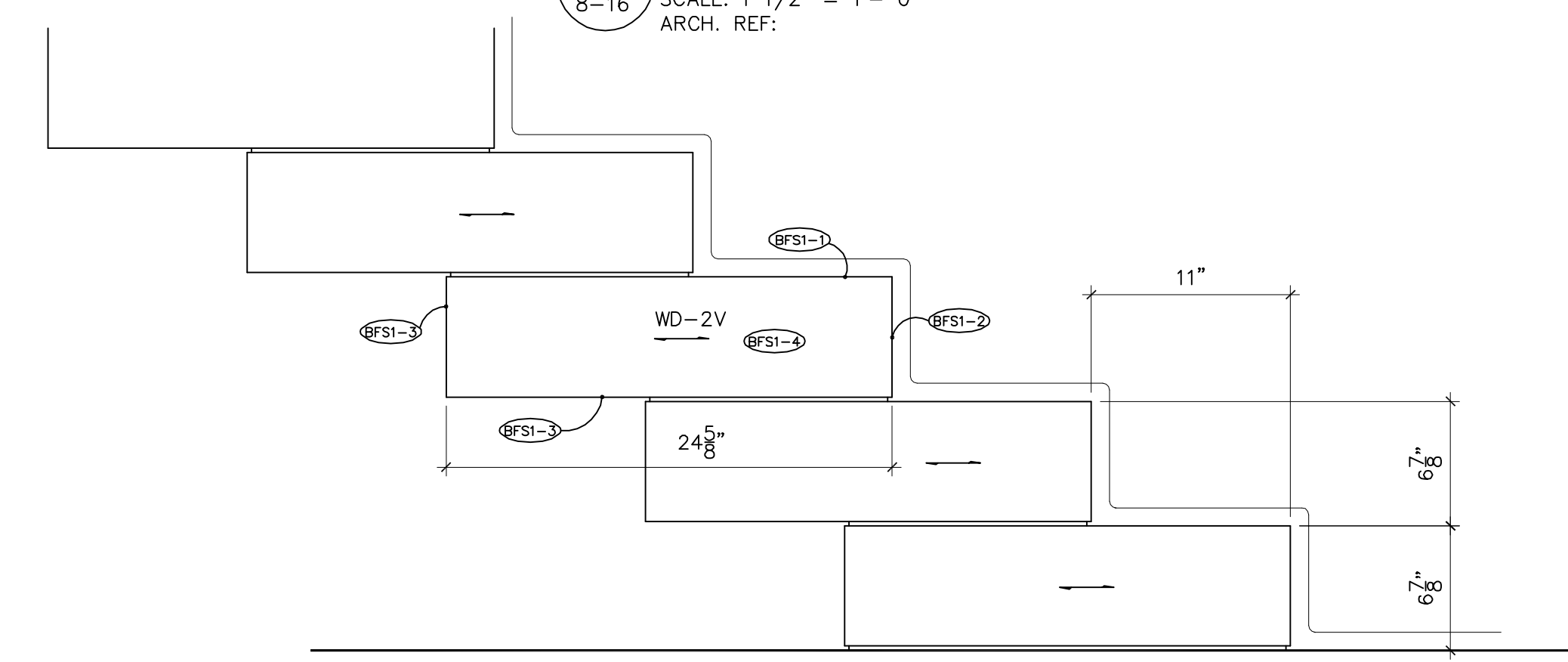
**E VERTICAL SECTION**  
8-16 SCALE: 1 1/2" = 1'-0"  
ARCH. REF:



**B UPPER LEVEL ELEVATION**  
8-16 SCALE: 1 1/2" = 1'-0"  
ARCH. REF:



**C SECTION AT FLOOR LINE**  
8-16 SCALE: 1 1/2" = 1'-0"  
ARCH. REF:



**D ELEVATION AT FLOOR LINE**  
8-16 SCALE: 1 1/2" = 1'-0"  
ARCH. REF:

NOTES:

NOTES:	
7.	
6.	
5.	
4.	
3.	
2.	
1.	REVISE TREAD & RISE SIZES TM 12/27/99
REVISIONS:	

JOB NAME:  
**CORPORATE OFFICE  
CHARLOTTE, NC**

DRAWING NAME:  
**STAIR DETAILS  
STAIR #1**

DRAWN BY:	DRAWING DATE: 10/25/99
JOB NO.	DRAWING NO. 8-16