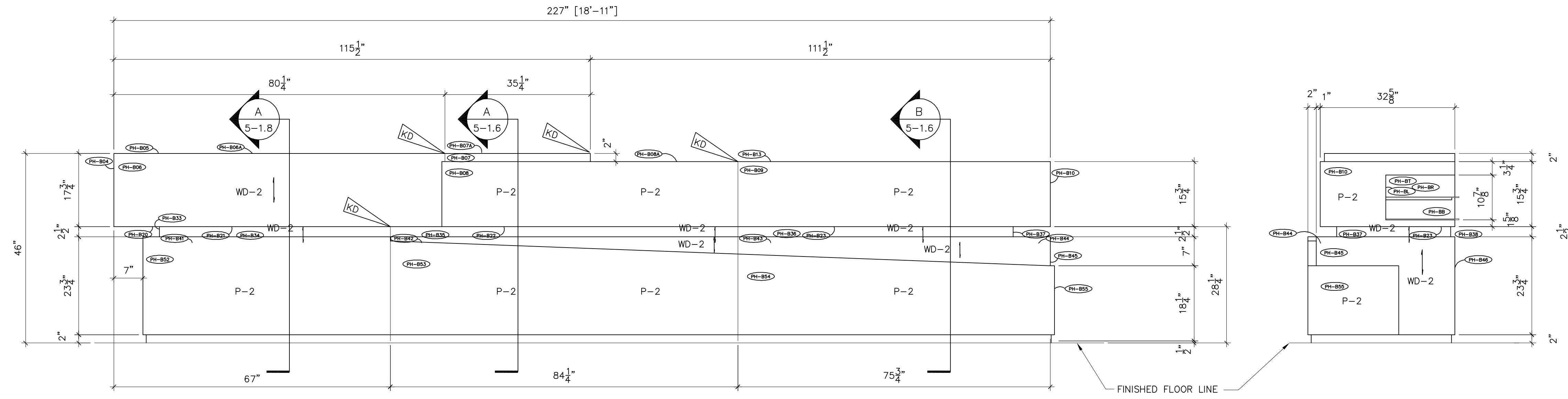
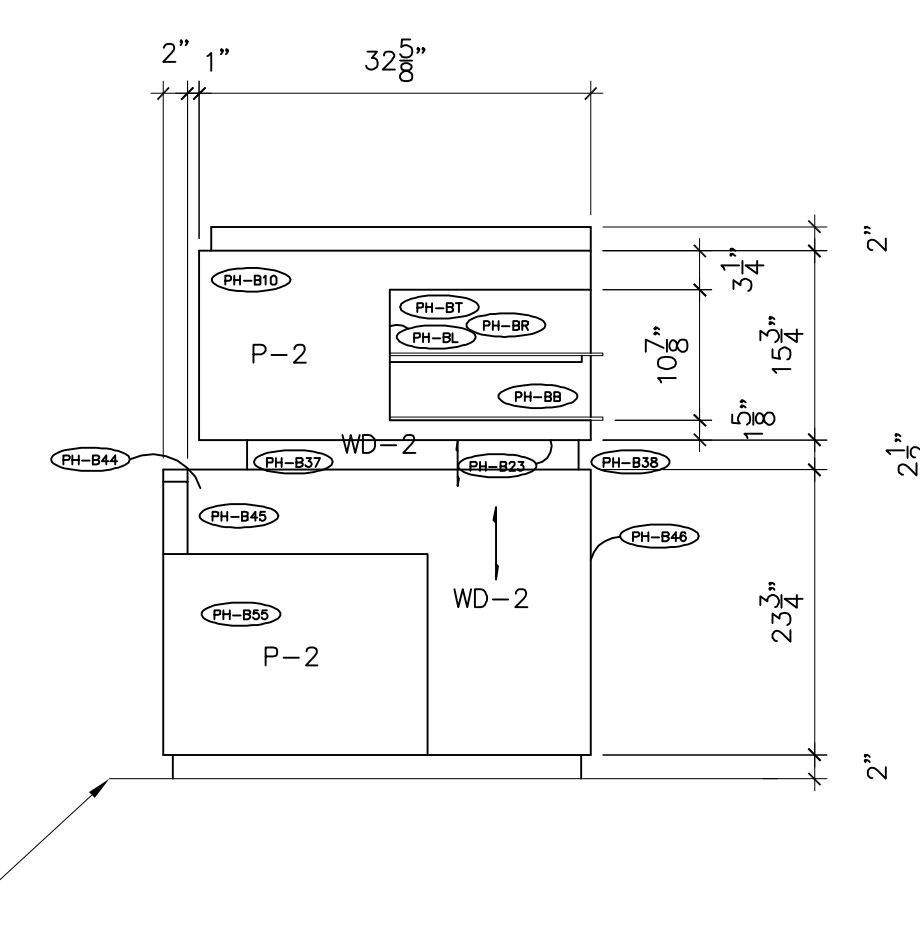


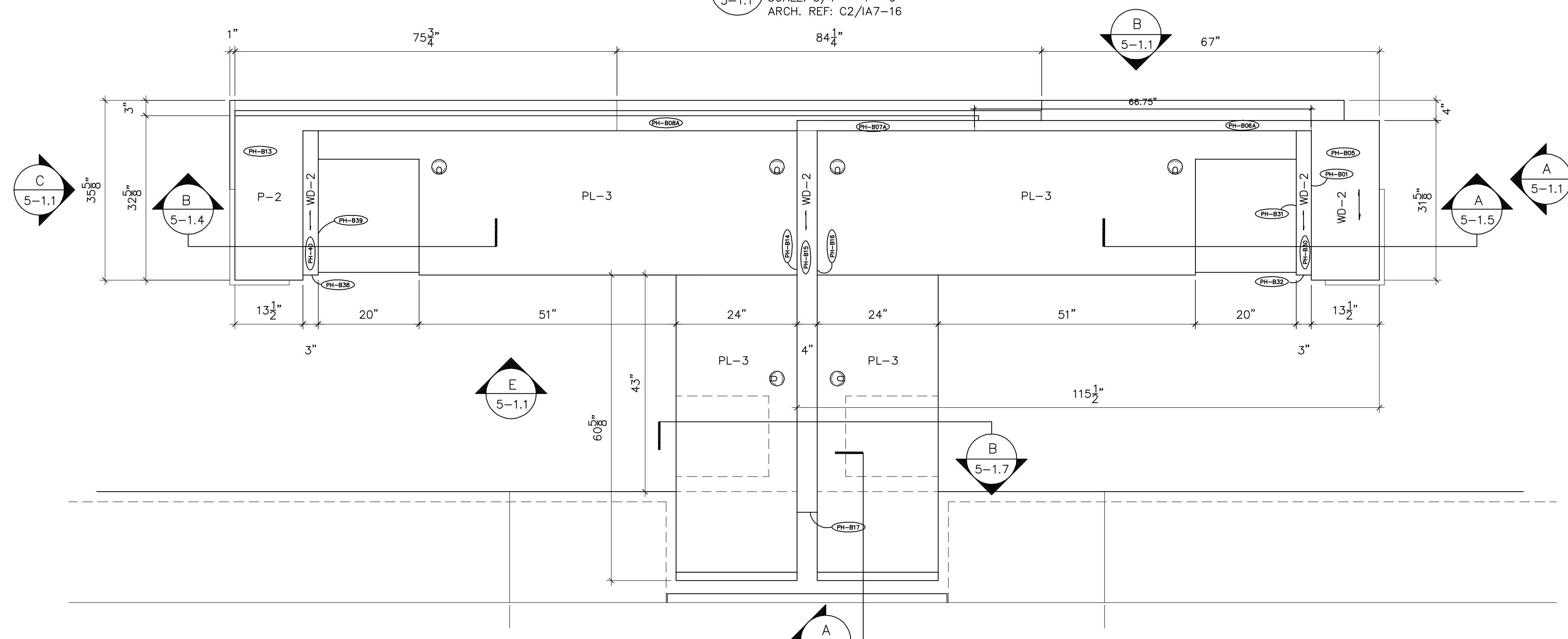
A END ELEVATION
5-1.1 SCALE: 3/4" = 1'-0"
ARCH. REF: A1/IA7-16



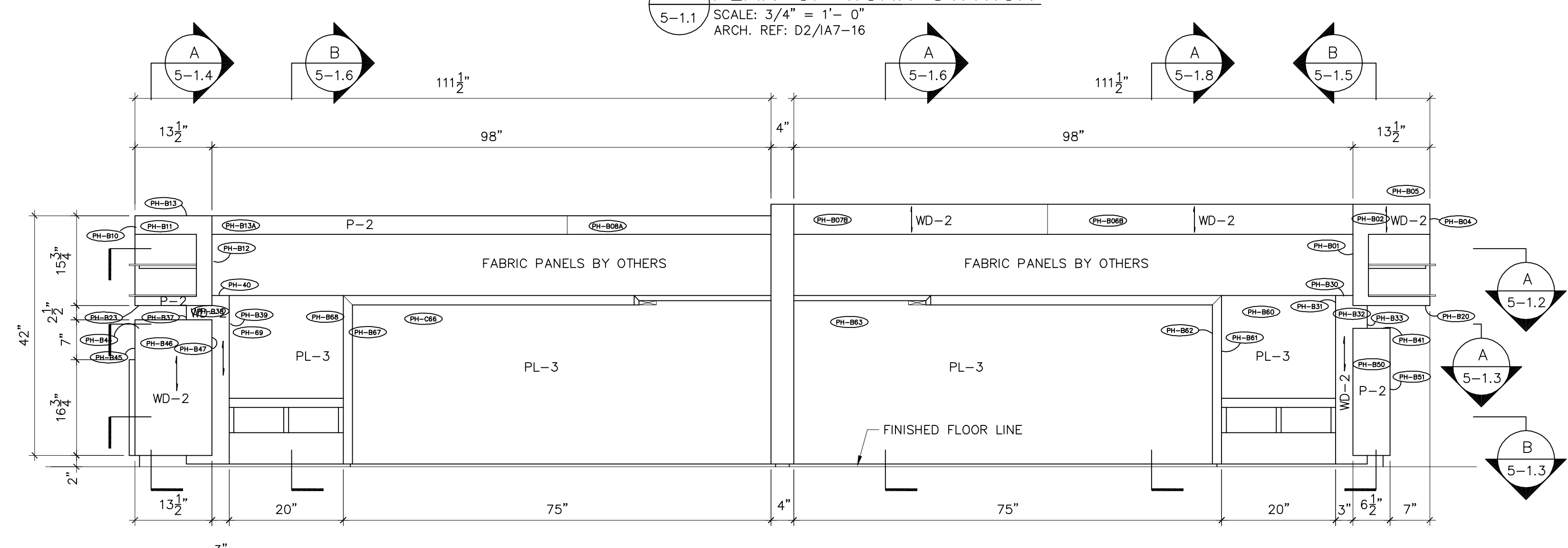
B FRONT ELEVATION
5-1.1 SCALE: 3/4" = 1'-0"
ARCH. REF: C2/IA7-16



C END ELEVATION
5-1.1 SCALE: 3/4" = 1'-0"
ARCH. REF: A2/IA7-16



D PLAN OF WORK STATION
5-1.1 SCALE: 3/4" = 1'-0"
ARCH. REF: D2/IA7-16



E REAR ELEVATION
5-1.1 SCALE: 3/4" = 1'-0"
ARCH. REF: B2/IA7-16

	STATION	ROOM NO.	BATCH NO.	
10th FLOOR	B1	1064/1065	9590	
	B4	1068/1069	9593	
	B6	1051/1052	9595	
	B7	1053/1054	9596	
	B8	1055/1056	9597	
	B10	1058/1059	9599	
	B11	1060/1061	9600	
	B12	1062/1063	9601	
	11th FLOOR	B1	1162/1163	9628
		B3	1152/1153	9630
		B4	1154/1155	9631
		B7	1158/1159	9634
B8		1160/1161	9635	
B1		1262/1263	9656	
B3		1252/1253	9658	
12th FLOOR		B4	1254/1255	9659
	B7	1258/1259	9662	
	B8	1260/1261	9663	

NOTES:

FINISHES:

PL-3: FORMICA #918-58
"NATURAL WHITE" MATTE FINISH

P-2: LACQUER FINISH TO MATCH
FORMICA #918-58
"NATURAL WHITE" MATTE FINISH

WD-2: TAMO

CABINET HARDWARE:

GROMMETS: DOUG MOCKET MM SERIES
2-3/8" DIA,
ENGLISH ANTIQUE (10B) FINISH

9638
ALL P-LAM TOPS

9639
ALL P-LAM BACK PANELS ASSEMBLY

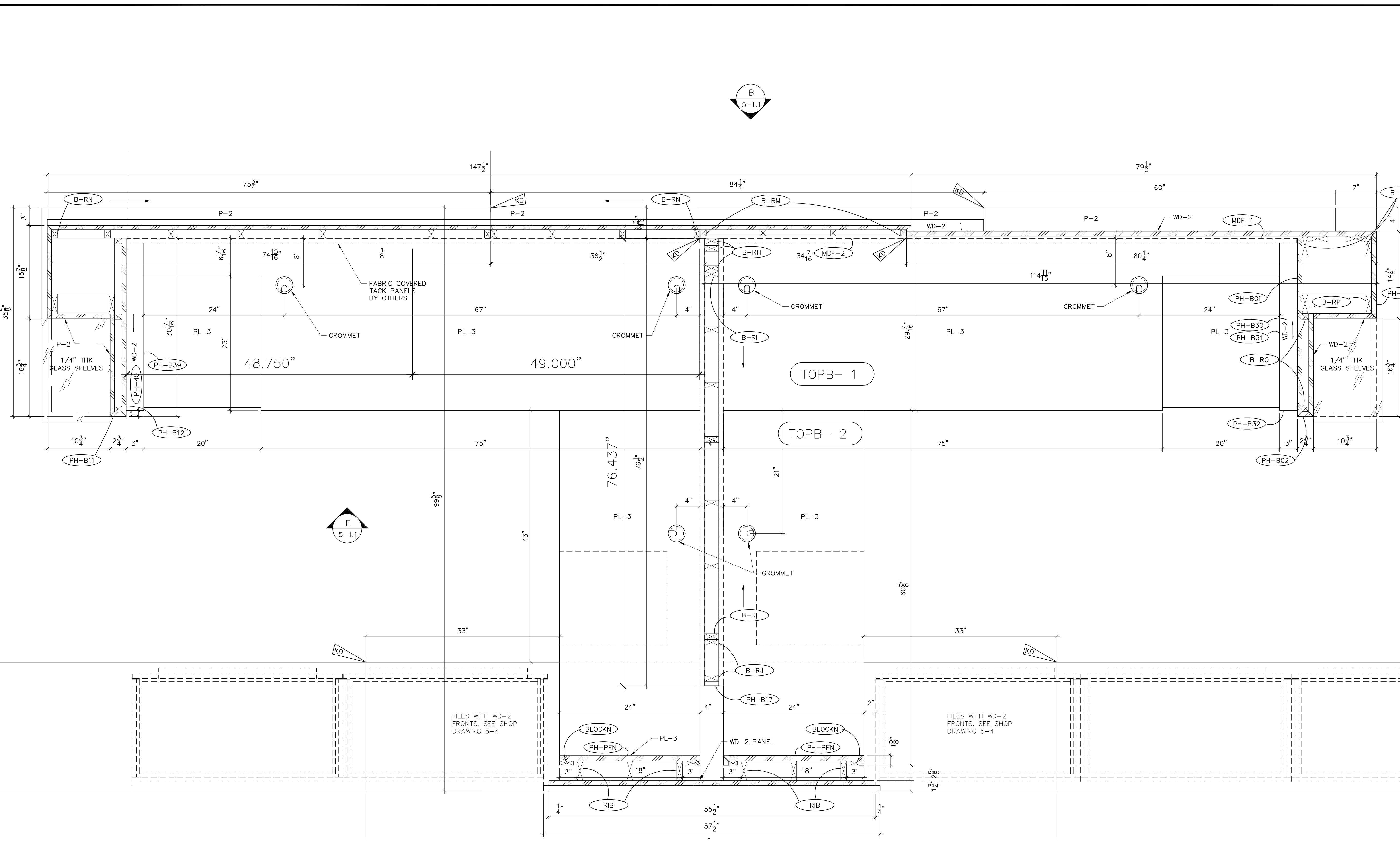
DOUBLE CHECK BY:	DATE:
FIELD LAYOUT BY:	DATE:
7.	
6.	
5.	
4.	
3.	
2.	
1.	

REVISIONS:

JOB NAME:
**LAW OFFICE
WASHINGTON, DC**

DRAWING NAME:
**TYPE "B" WORKSTATION
PLAN & ELEVATIONS**

DRAWN BY:	DRAWING DATE: 04/02/04
JOB NO.	DRAWING NO. 5-1.1



A
5-1.2 HORIZONTAL SECTION
SCALE: 1-1/2" = 1'-0"
ARCH. REF:

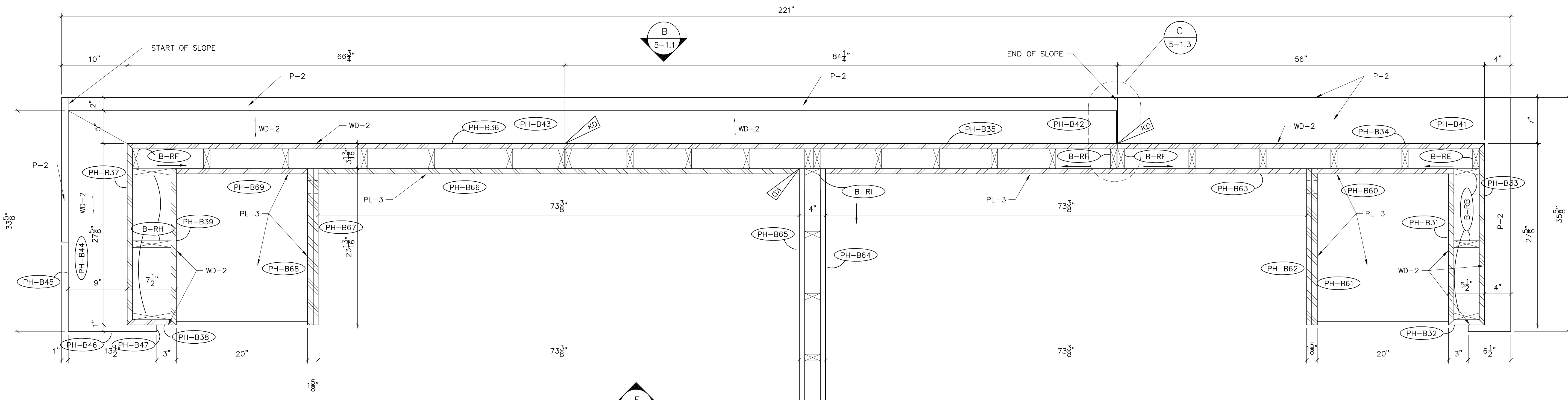
NOTES:

DOUBLE CHECK BY:	DATE:
FIELD LAYOUT BY:	DATE:
7.	
6.	
5.	
4.	
3.	
2.	
1.	
REVISIONS:	

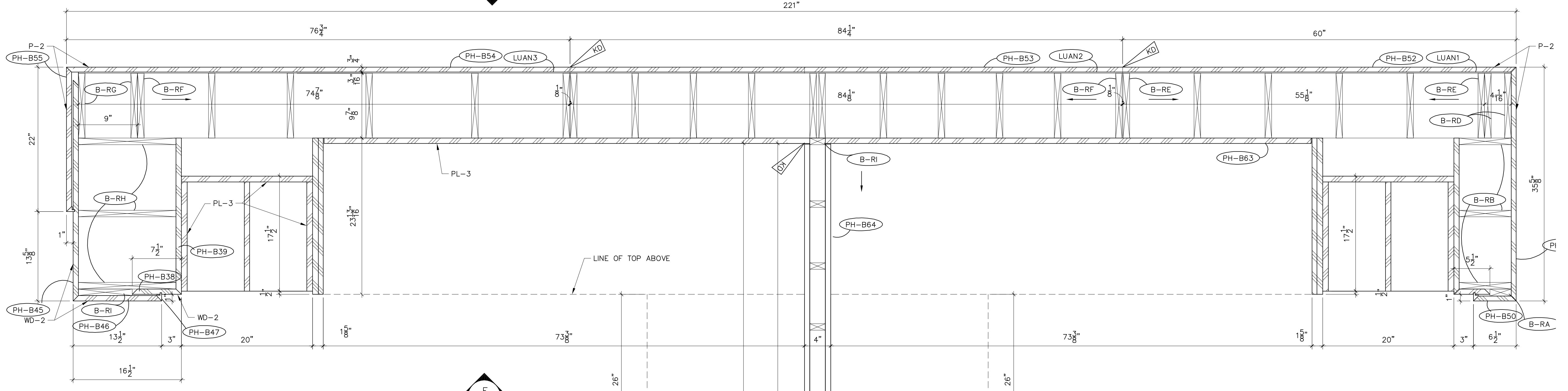
JOB NAME:
**LAW OFFICE
WASHINGTON, DC**

DRAWING NAME:
**TYPE "B" WORKSTATION
HORZ. SECTION**

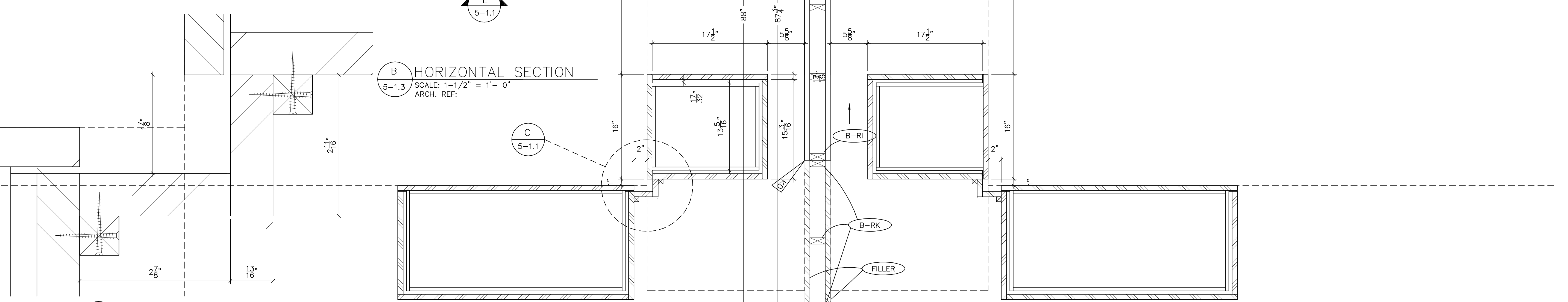
DRAWN BY:	DRAWING DATE: 04/02/04
JOB NO.	DRAWING NO. 5-1.2



A HORIZONTAL SECTION
 5-1.3 SCALE: 1-1/2" = 1'-0"
 ARCH. REF:

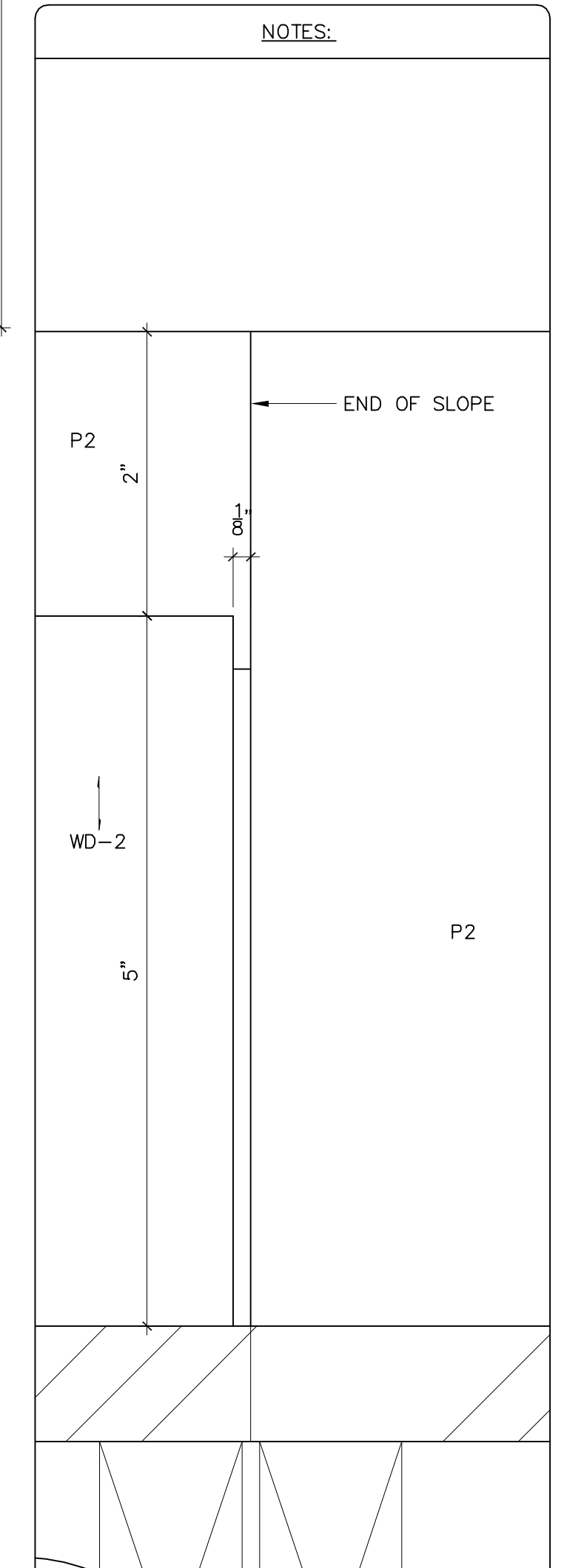


B HORIZONTAL SECTION
 5-1.3 SCALE: 1-1/2" = 1'-0"
 ARCH. REF:



C CORNER FILLER
 5-1.3 SCALE: FULL
 ARCH. REF:

NOTES:

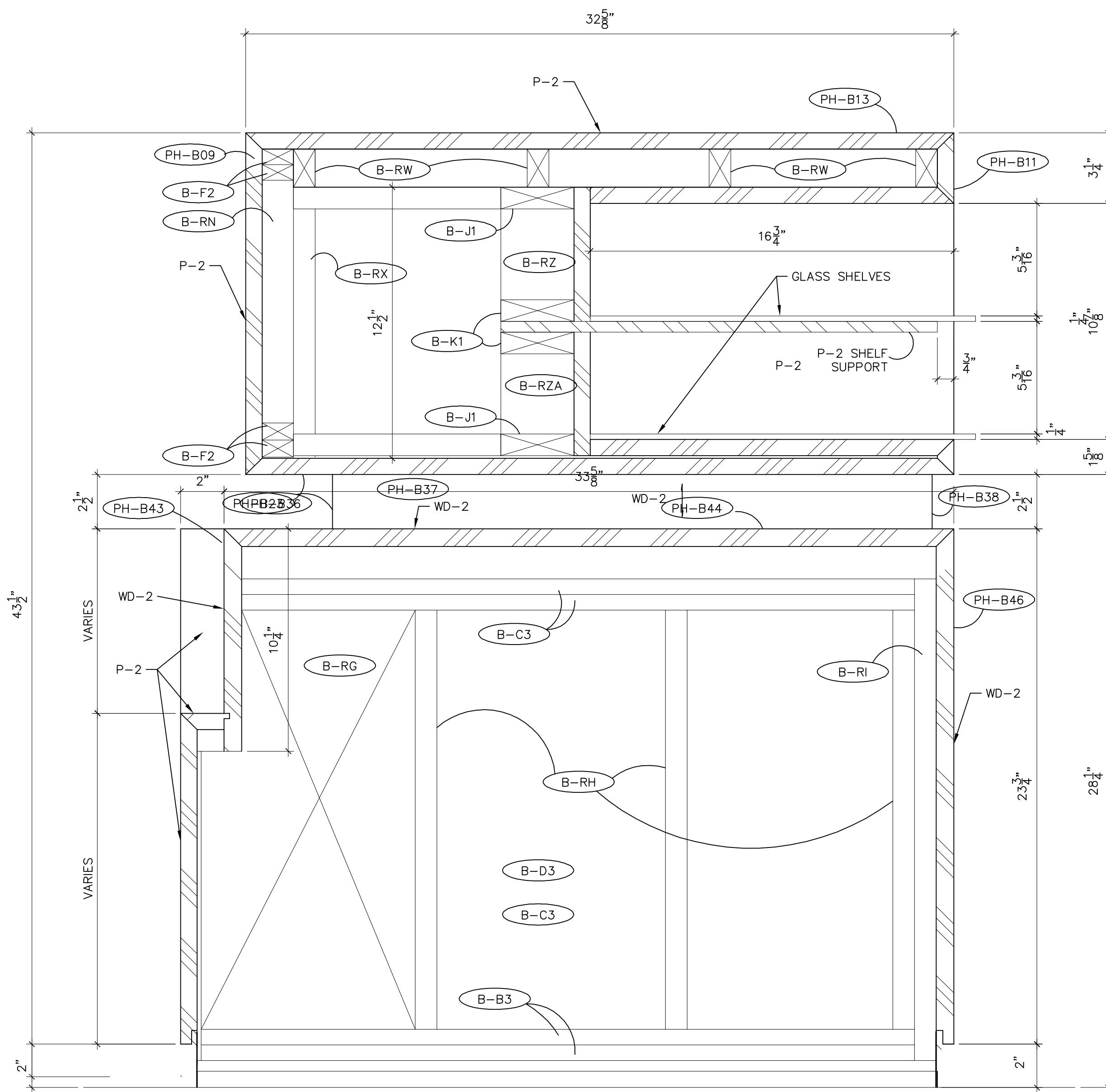


C DETAIL
 5-1.3 SCALE: FULL SCALE
 ARCH. REF:

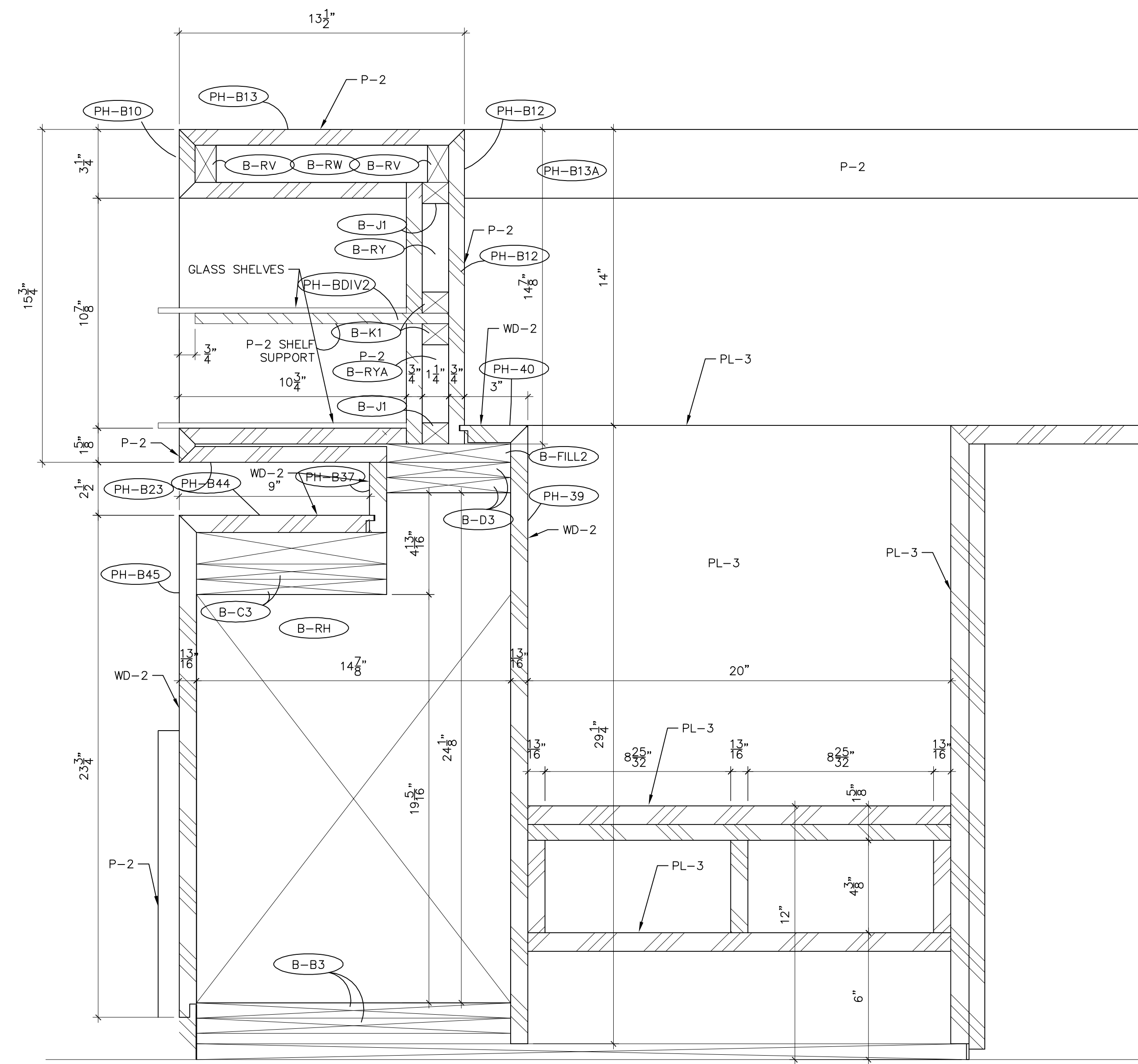
DOUBLE CHECK BY:	DATE:
FIELD LAYOUT BY:	DATE:
7.	
6.	
5.	
4.	
3.	
2.	
1.	
REVISIONS:	

JOB NAME:
 LAW OFFICE
 WASHINGTON, DC

DRAWING NAME:
 TYPE "B" WORKSTATION
 HORZ. SECTIONS
 DRAWN BY:
 JOB NO.
 DRAWING DATE:
 04/02/04
 DRAWING NO.
 5-1.3



A VERTICAL SECTION
5-1.4 SCALE: 3" = 1'-0"
ARCH. REF:



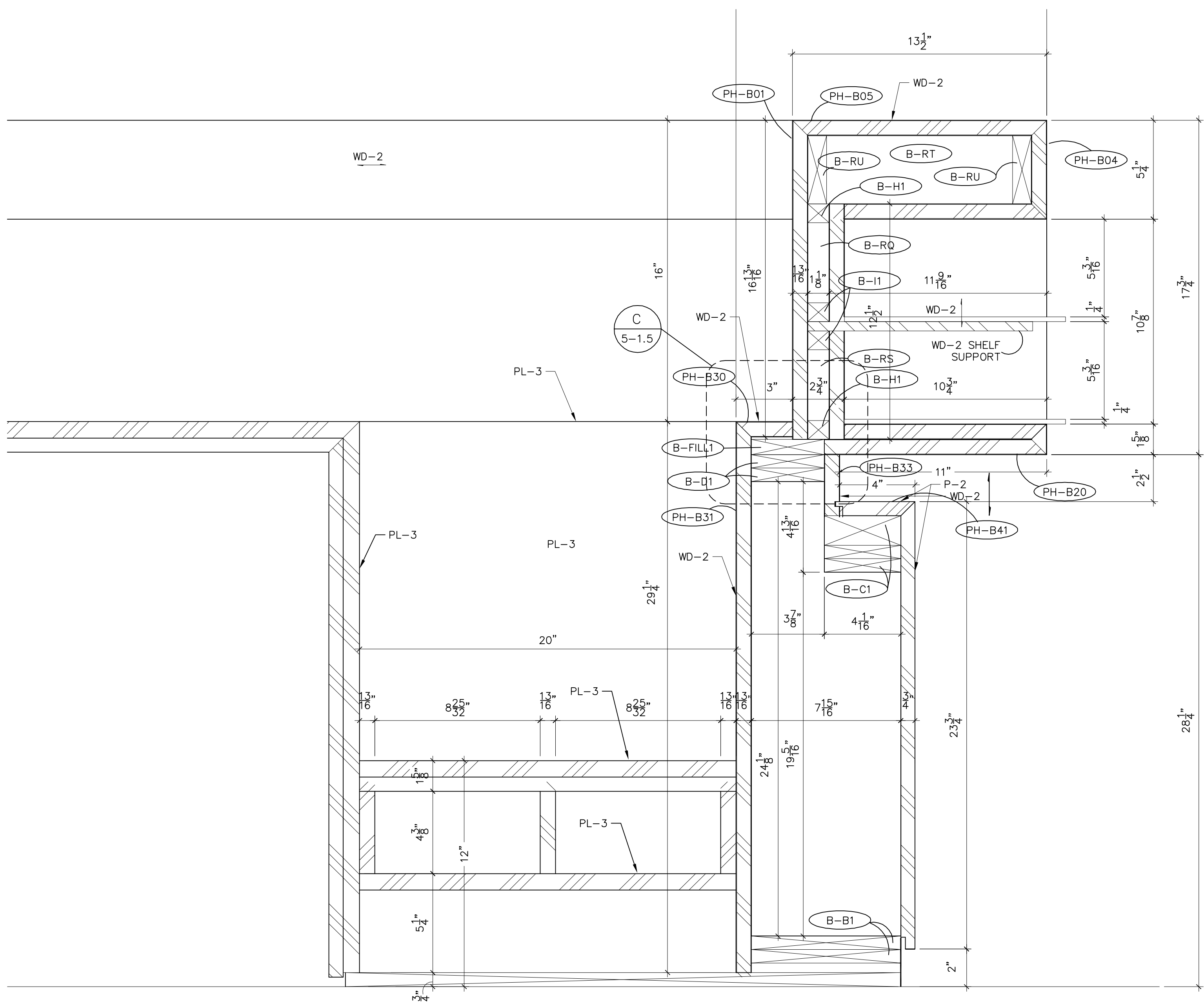
B VERTICAL SECTION
5-1.4 SCALE: 3" = 1'-0"
ARCH. REF:

NOTES:

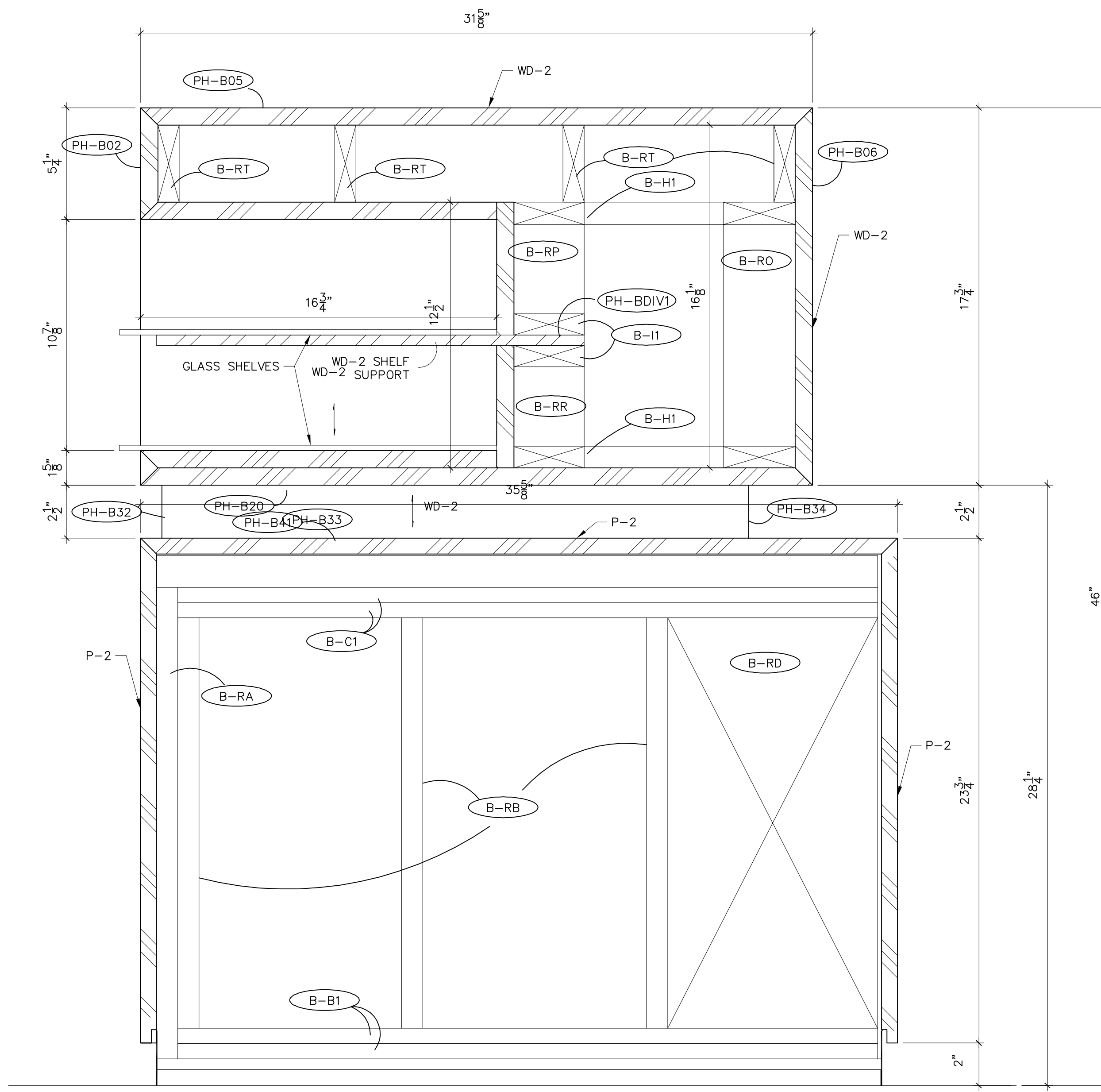
DOUBLE CHECK BY:	DATE:
FIELD LAYOUT BY:	DATE:
7.	
6.	
5.	
4.	
3.	
2.	
1.	
REVISIONS:	

JOB NAME:	LAW OFFICE WASHINGTON, DC
-----------	------------------------------

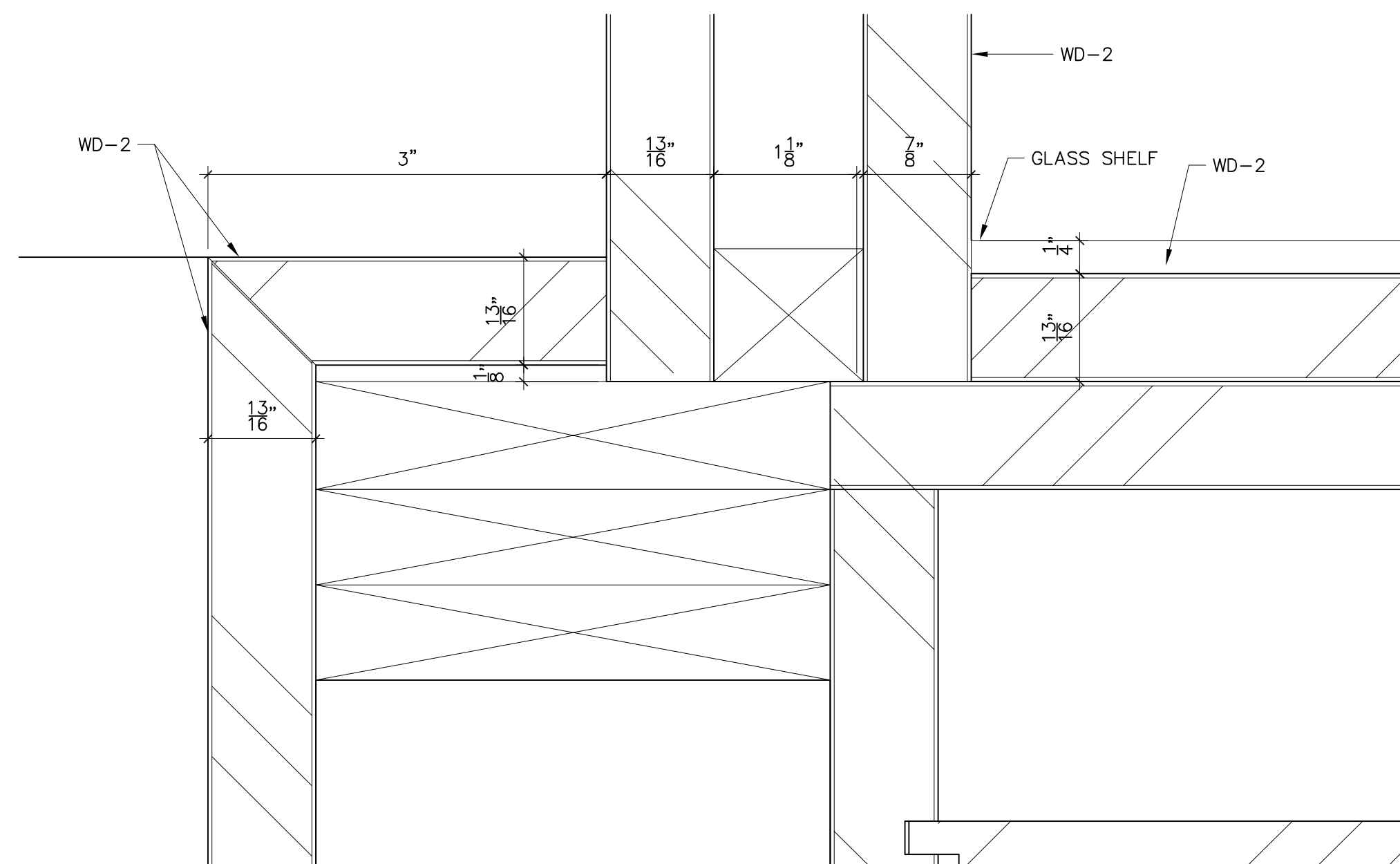
DRAWING NAME:	
WORKSTATION VERT. SECTIONS	
DRAWN BY:	DRAWING DATE: 04/02/04
JOB NO.	DRAWING NO. 5-1.4



A VERTICAL SECTION
 5-1.5 SCALE: 3" = 1'-0"
 ARCH. REF:



B VERTICAL SECTION
 5-1.5 SCALE: 3" = 1'-0"
 ARCH. REF:



C DETAIL
 5-1.5 SCALE: FULL
 ARCH. REF:

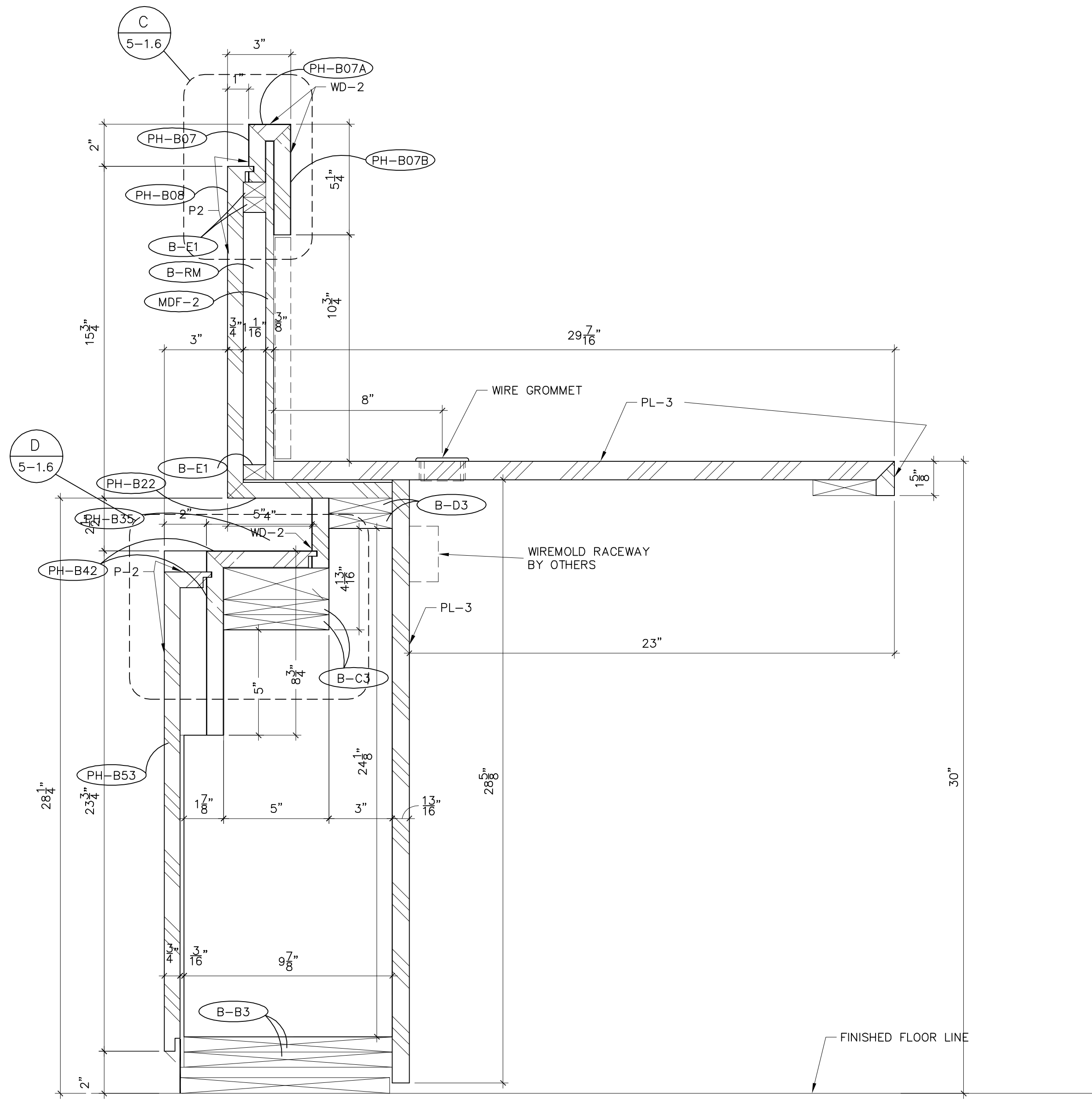
NOTES:

DOUBLE CHECK BY:	DATE:
FIELD LAYOUT BY:	DATE:
7.	
6.	
5.	
4.	
3.	
2.	
1.	
REVISIONS:	

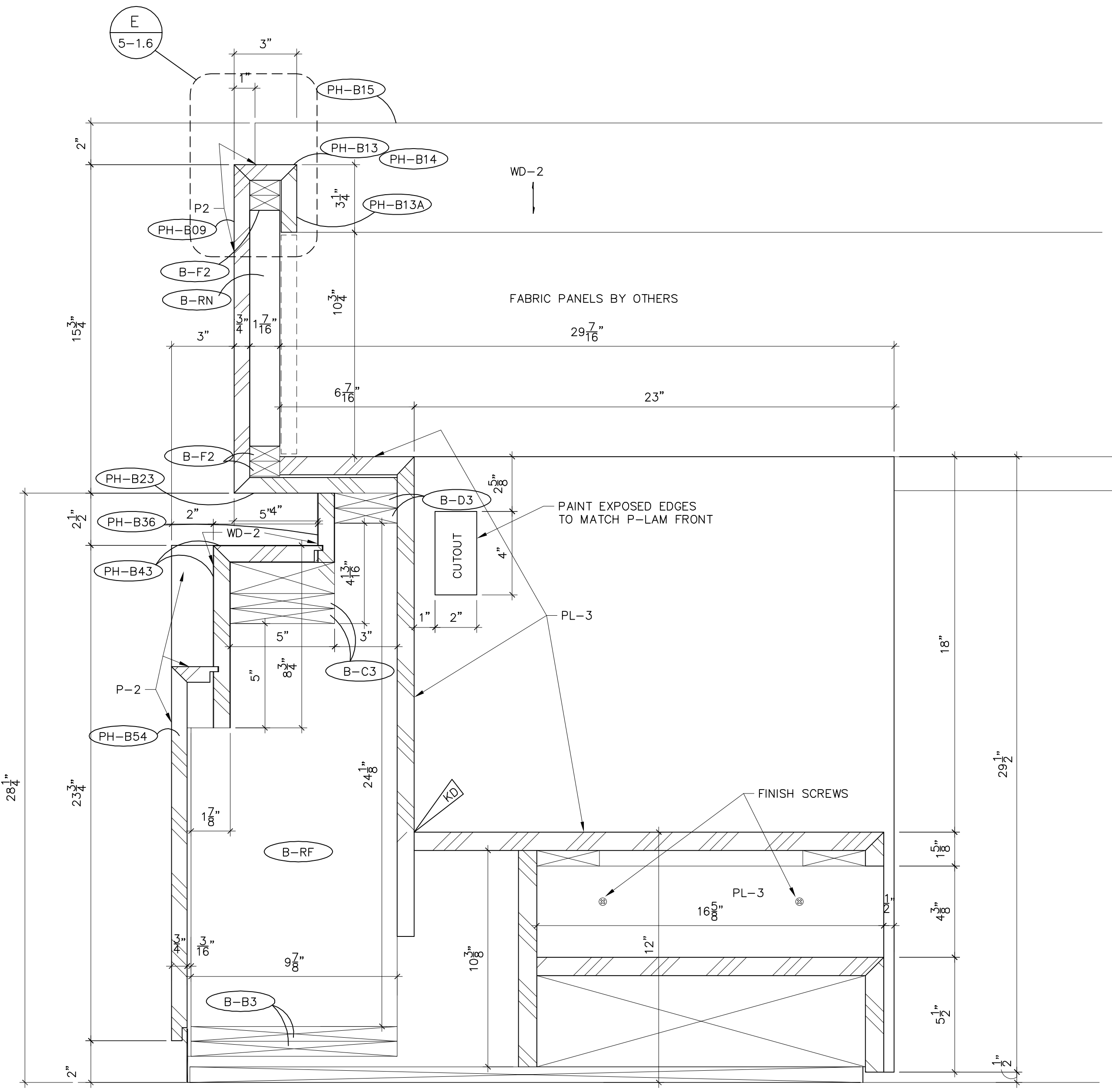
JOB NAME:
**LAW OFFICE
 WASHINGTON, DC**

DRAWING NAME:
**WORKSTATION
 VERT. SECTIONS**

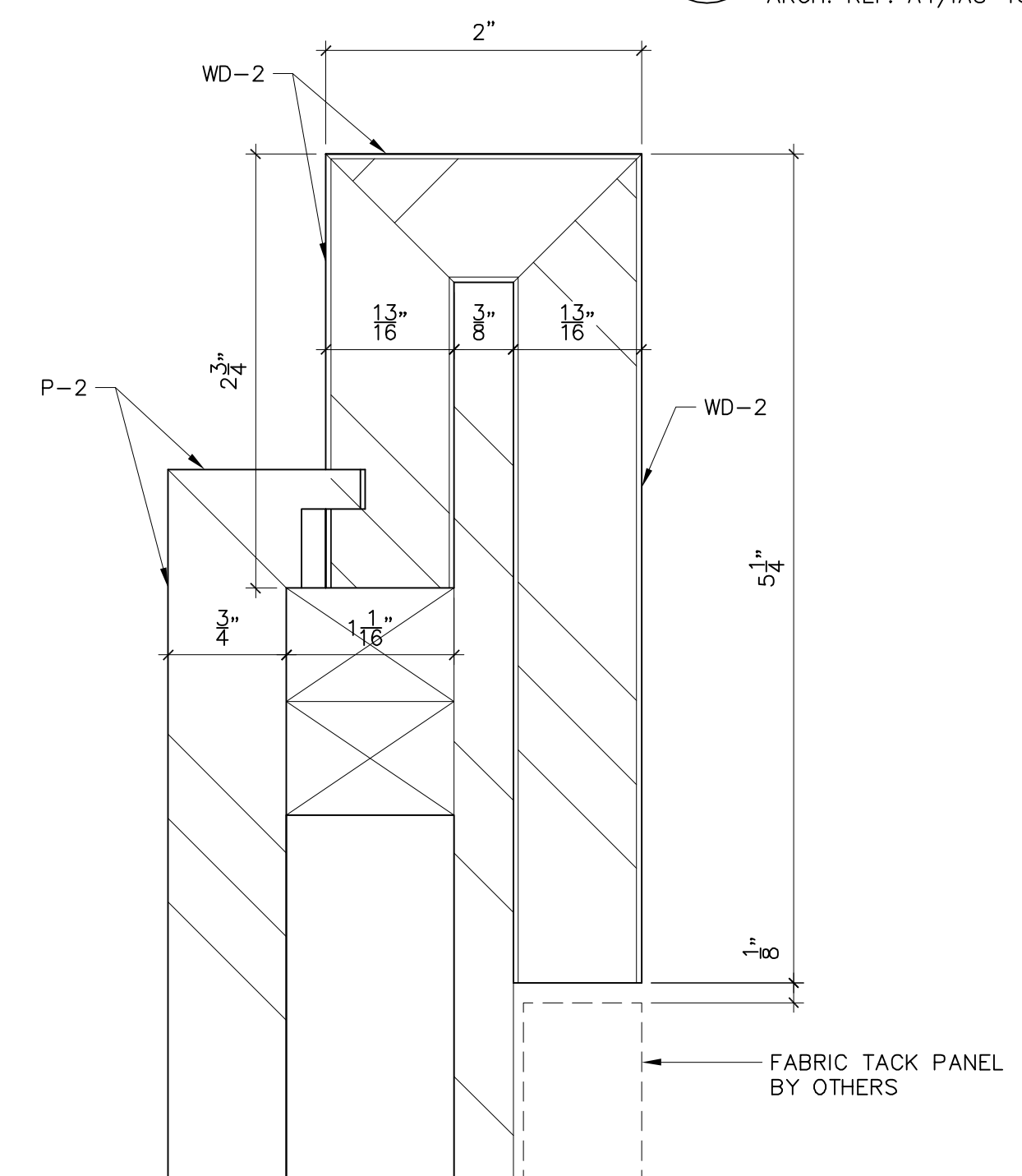
DRAWN BY:	DRAWING DATE:
.	04/02/04
JOB NO.	DRAWING NO.
	5-1.5



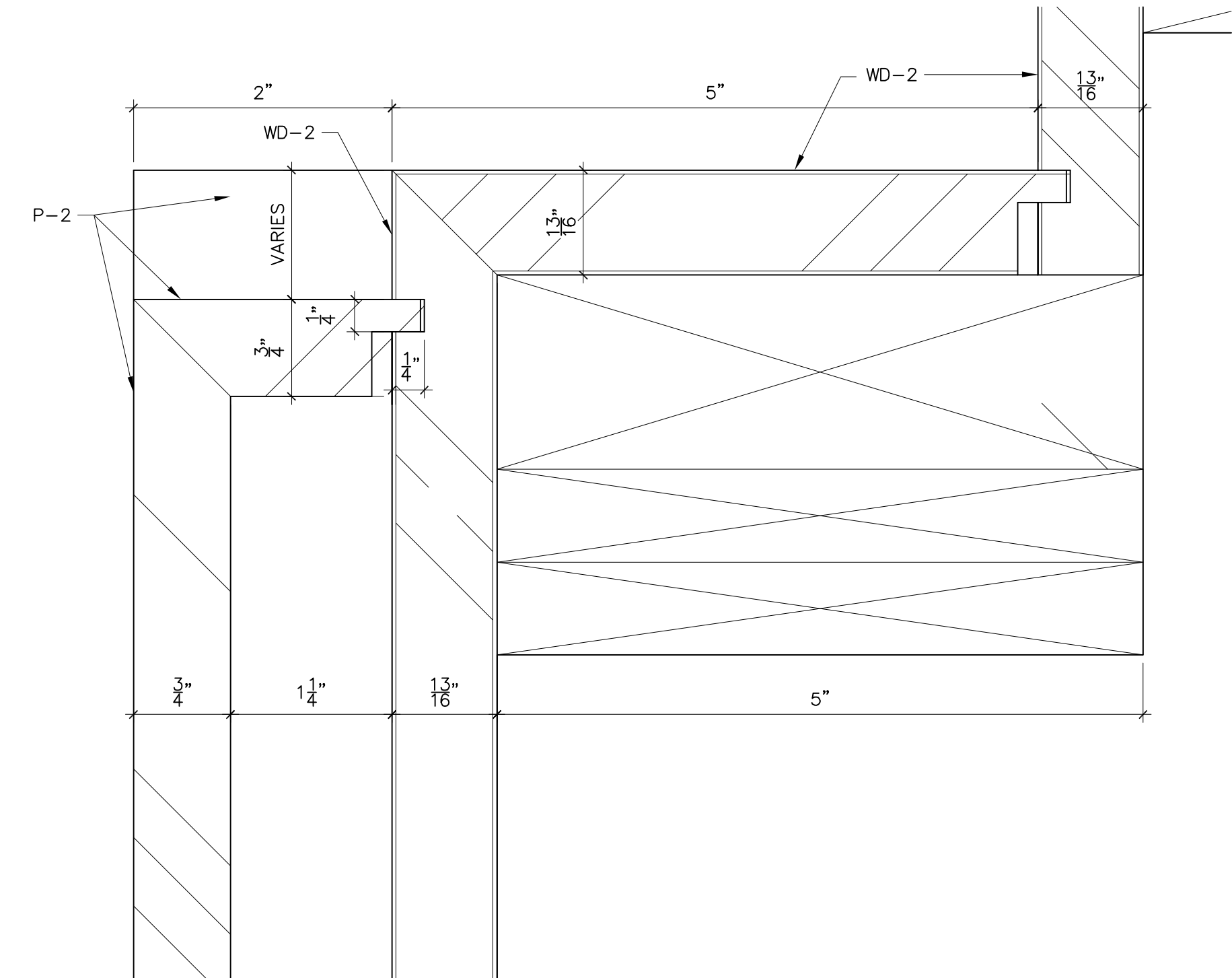
A VERTICAL SECTION
 5-1.6 SCALE: 3" = 1'-0"
 ARCH. REF: A4/A8-16



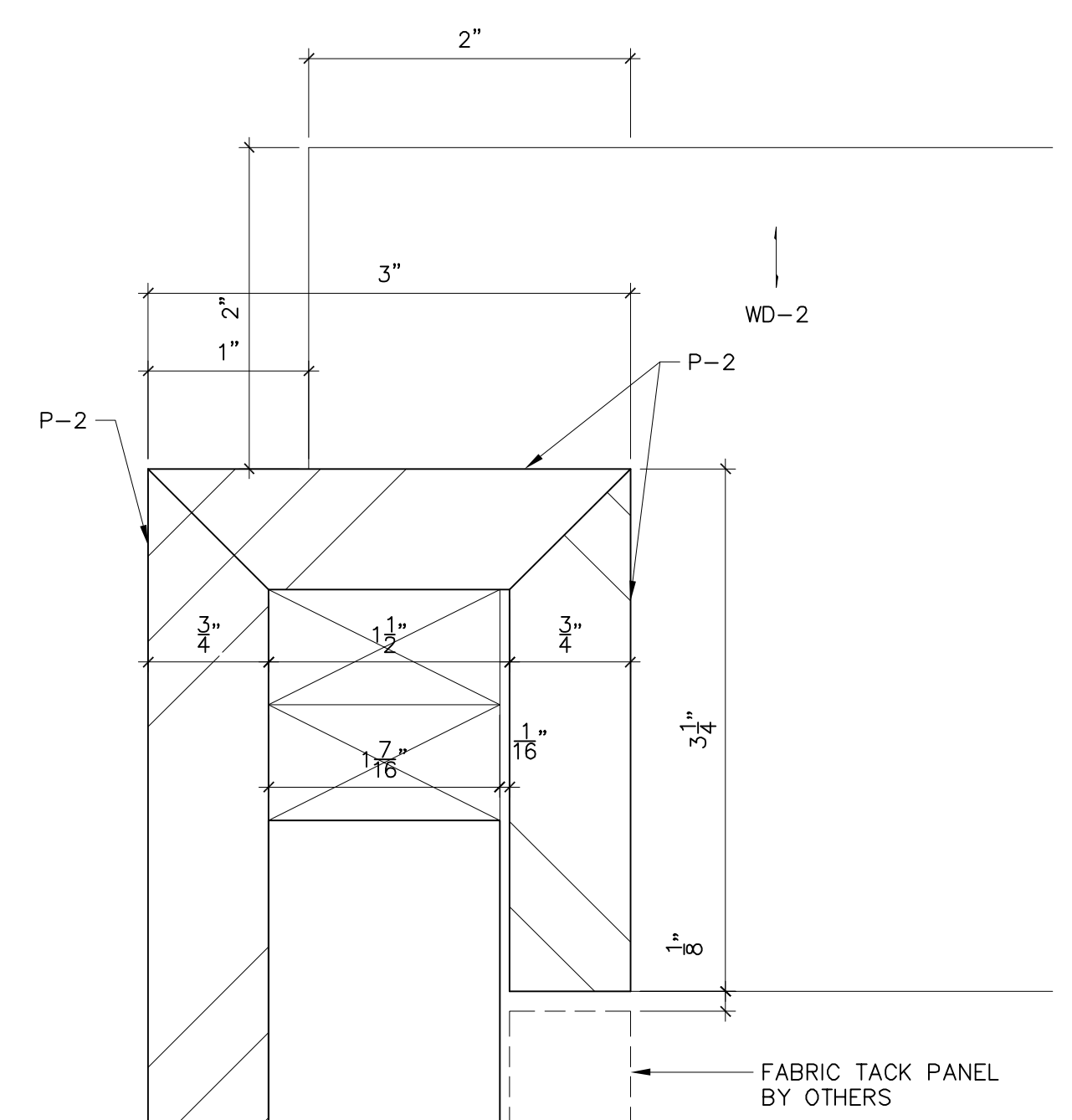
B VERTICAL SECTION
 5-1.6 SCALE: 3" = 1'-0"
 ARCH. REF:



C DETAIL
 5-1.6 SCALE: FULL
 ARCH. REF:



D DETAIL
 5-1.6 SCALE: FULL
 ARCH. REF:



E DETAIL
 5-1.6 SCALE: FULL
 ARCH. REF:

NOTES:

DOUBLE CHECK BY:	DATE:
FIELD LAYOUT BY:	DATE:
7.	
6.	
5.	
4.	
3.	
2.	
1.	
REVISIONS:	

JOB NAME:
LAW OFFICE
 WASHINGTON, DC

DRAWING NAME:
WORKSTATION
 VERT. SECTIONS

DRAWN BY:	DRAWING DATE:
JOB NO.	DRAWING NO.
5-1.6	

