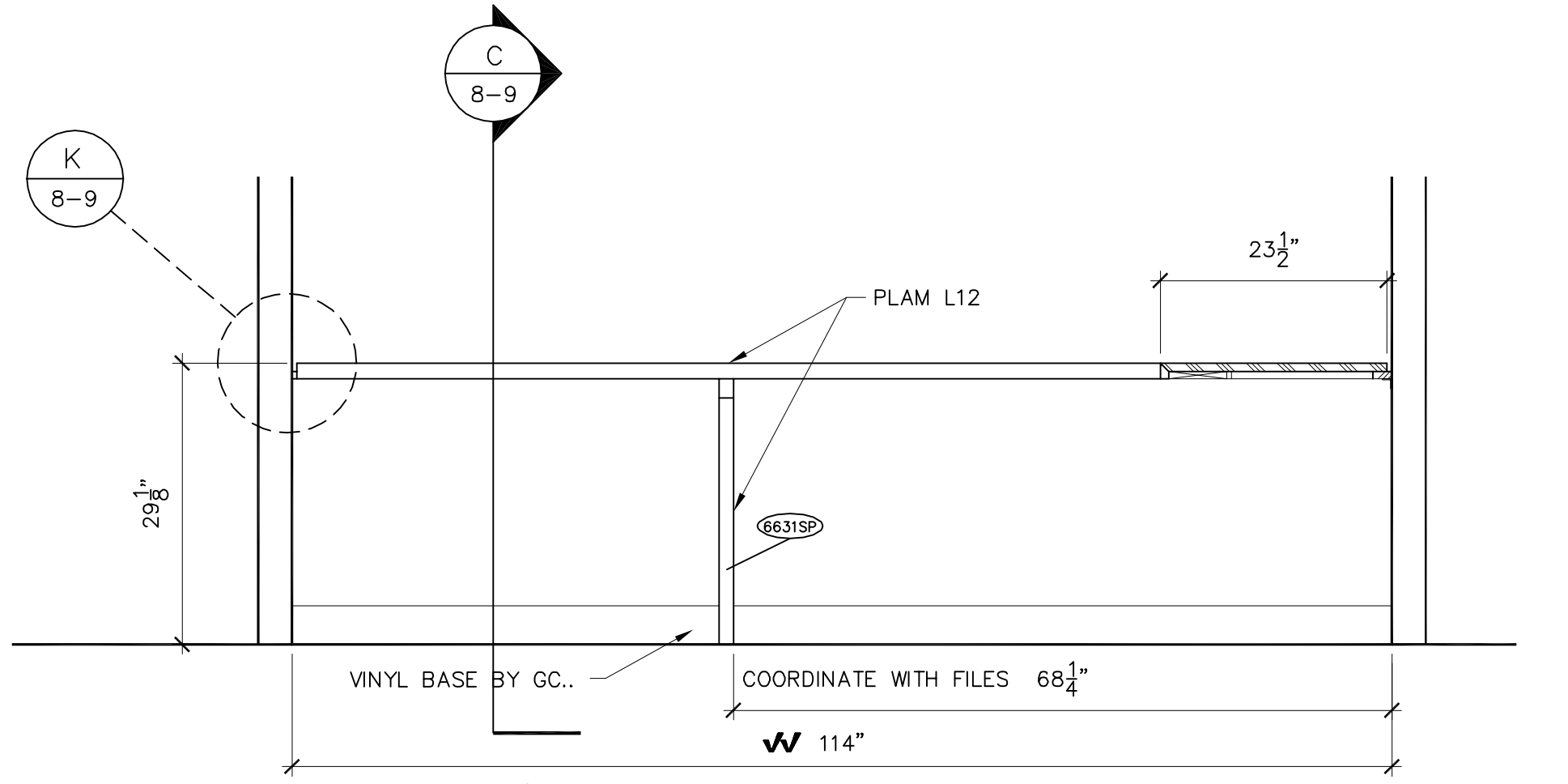
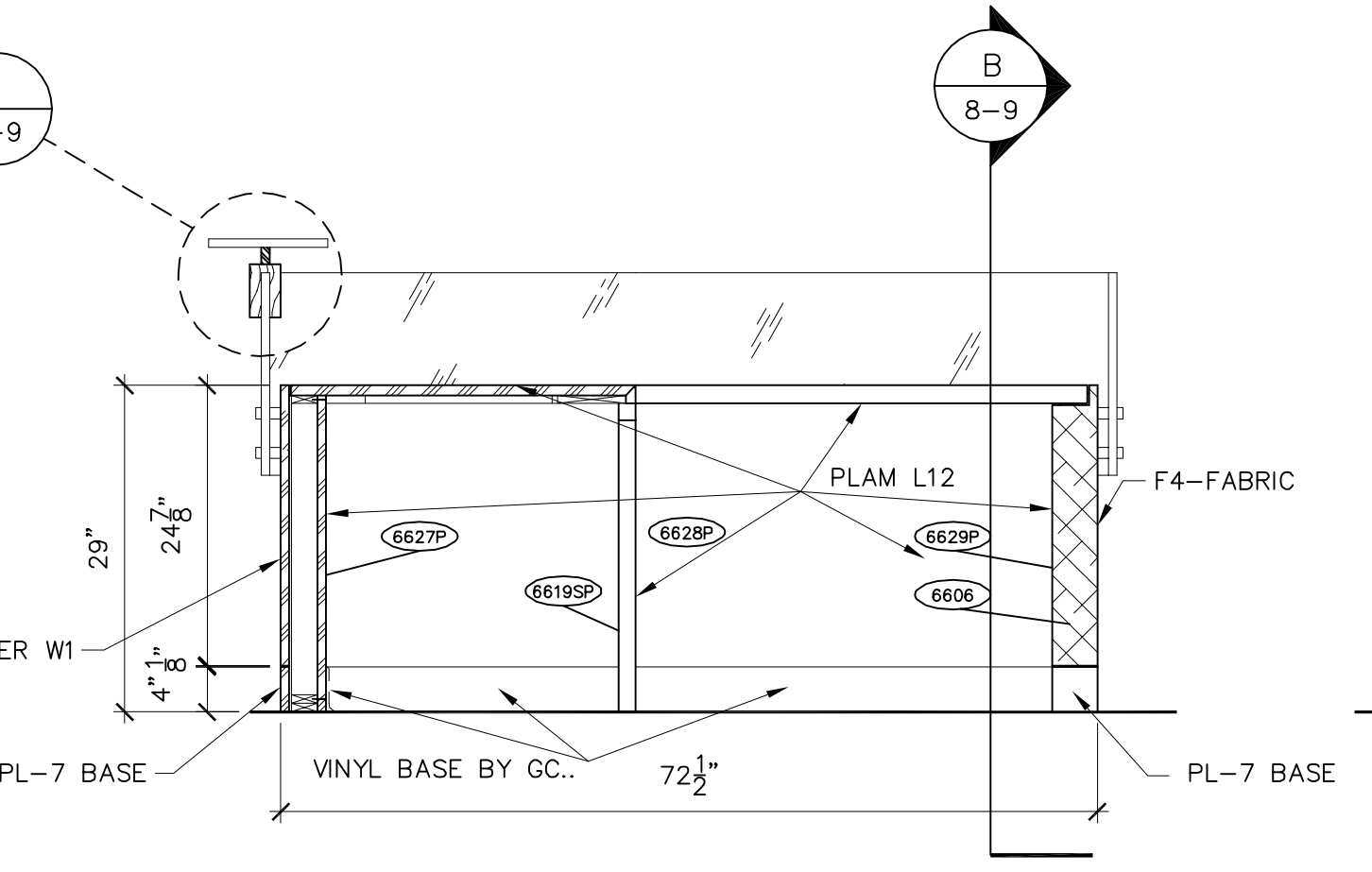


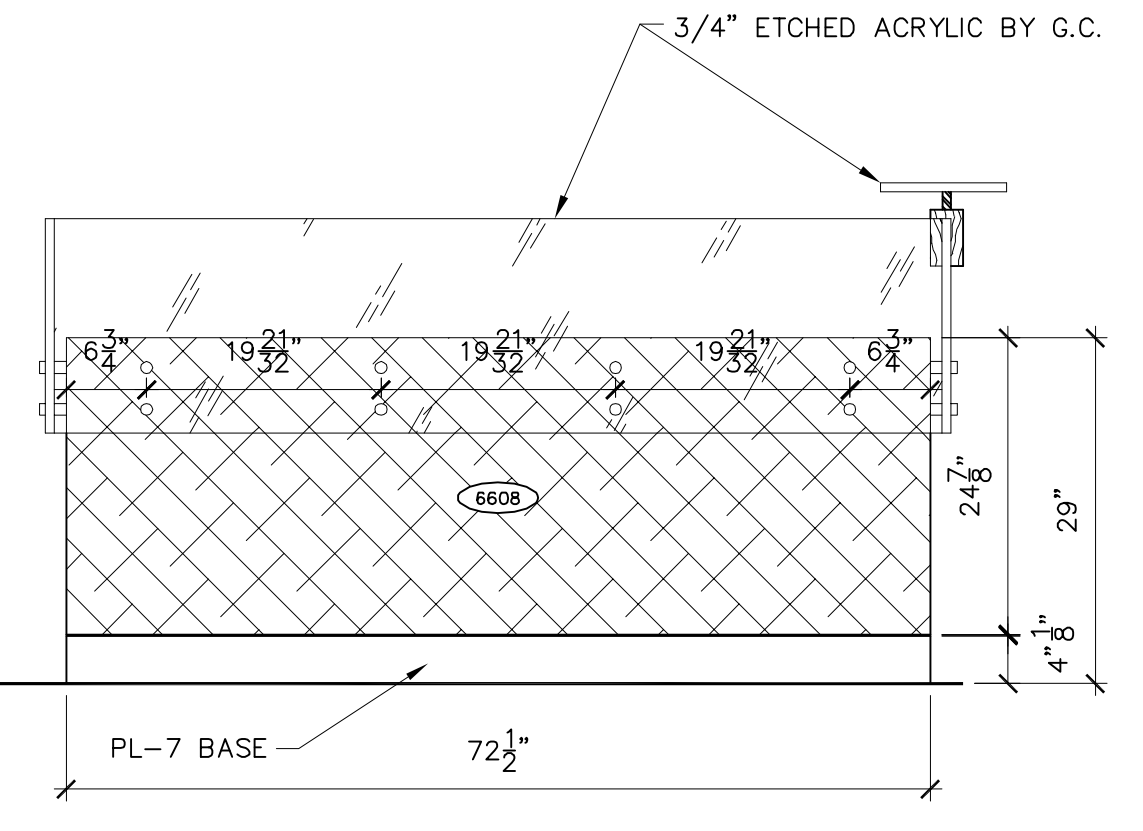
G REAR ELEVATION
 SCALE: 3/4"=1'
 ARCH. REF:



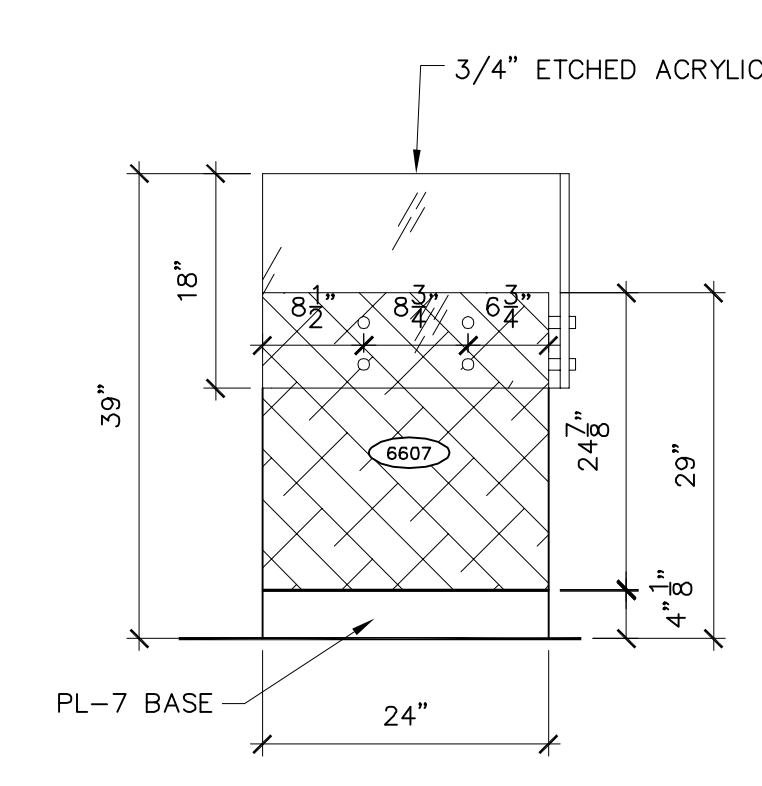
F BACK WALL ELEVATION
 SCALE: 3/4"=1'
 ARCH. REF:



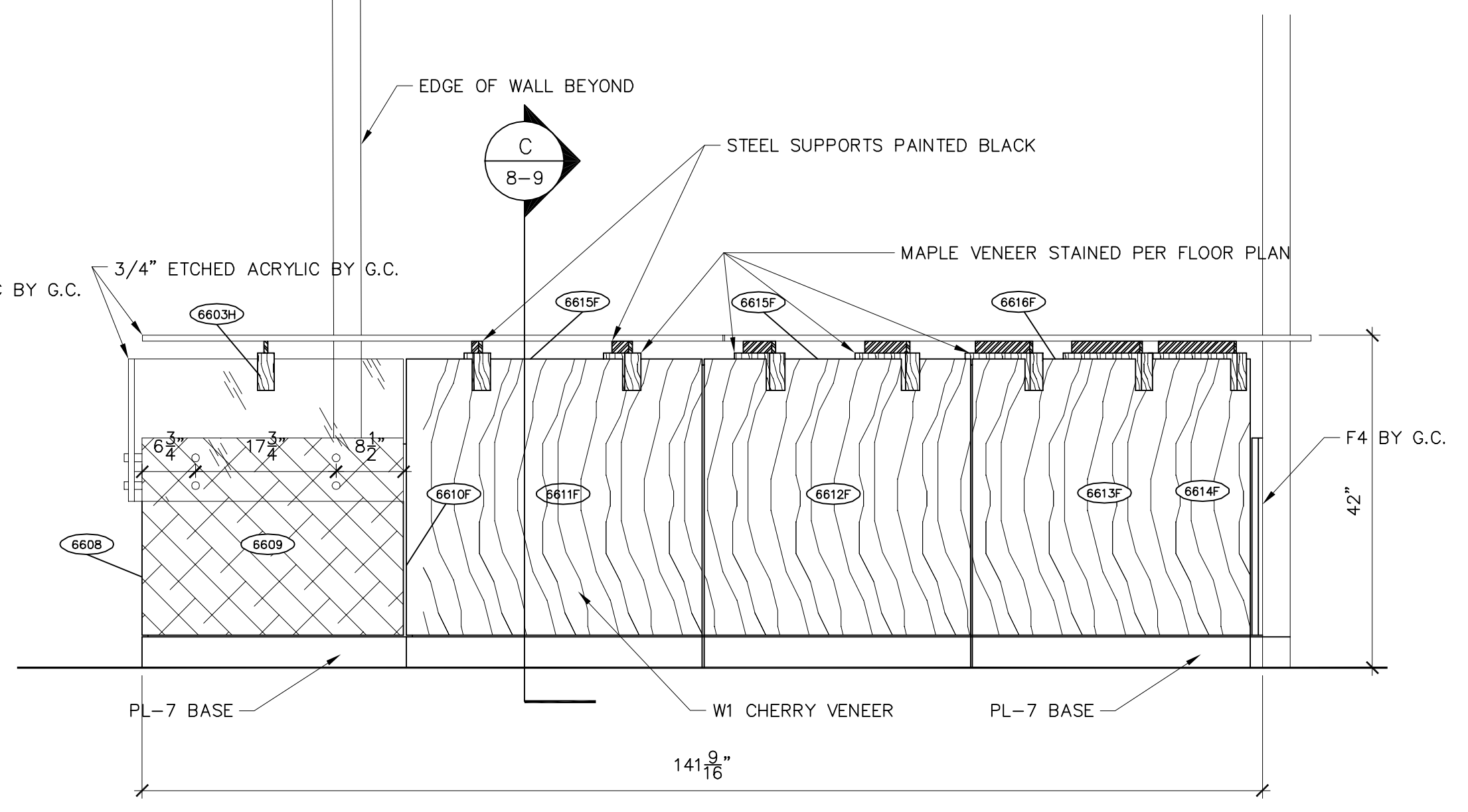
E INSIDE ELEV./SECT.
 SCALE: 3/4"=1'
 ARCH. REF:



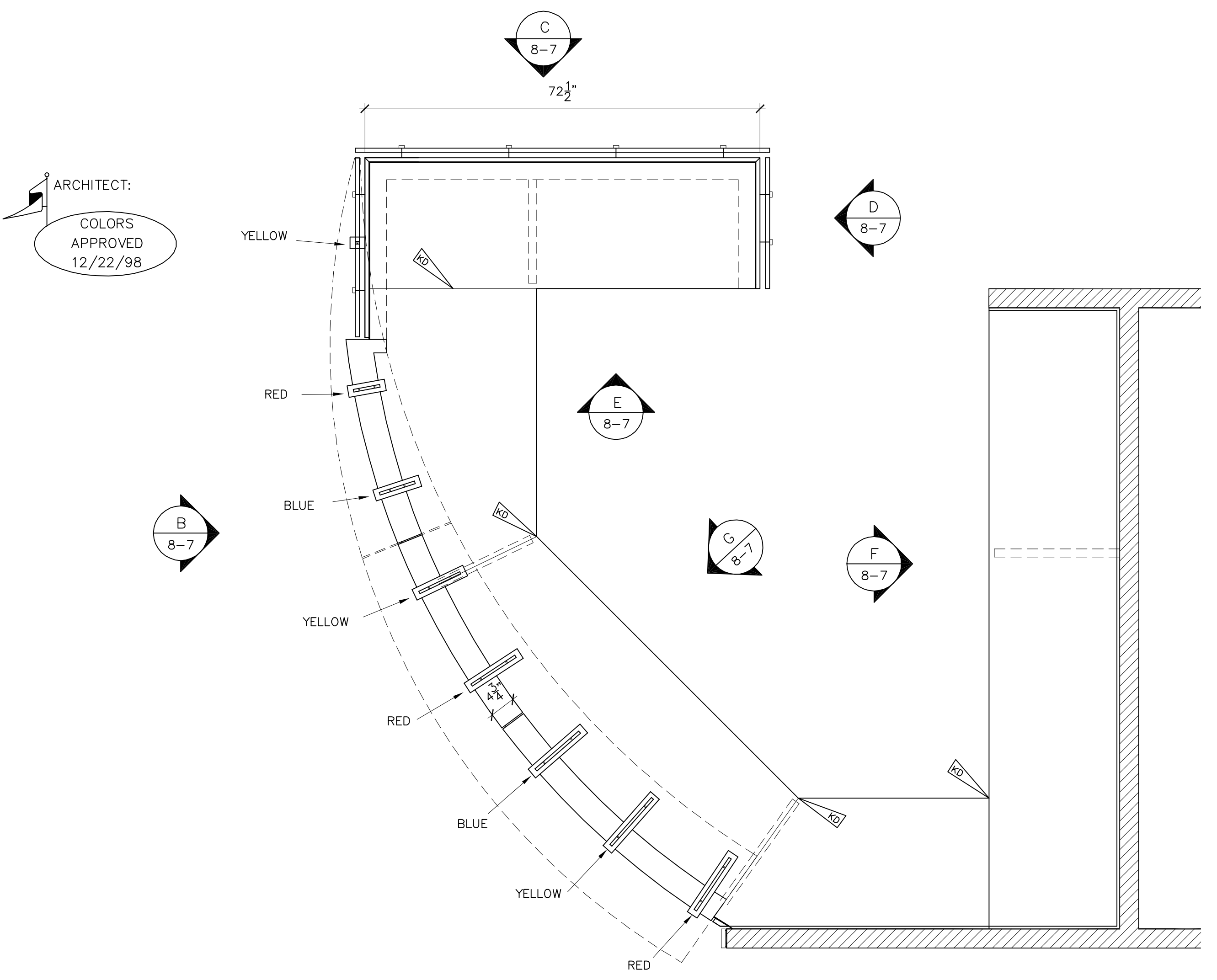
C SIDE ELEVATION
 SCALE: 3/4"=1'
 ARCH. REF: 10/A10.11b



D END ELEVATION
 SCALE: 3/4"=1'
 ARCH. REF:



B FRONT ELEVATION
 SCALE: 3/4"=1'
 ARCH. REF: 11/A10.11b



A PLAN VIEW
 SCALE: 3/4" = 1'- 0"
 ARCH. REF: 11/A10.11c

ARCHITECT:
 COLORS APPROVED
 12/22/98

- NOTES:**
- W1 CHERRY VENEER
 - W4, W5, W6 COLORED MAPLE VENEER
 - L12 INTERLAM MAGNATITE #2205
 - STEEL SUPPORTS - 1/2" STEEL PLATE
1/4" CHANNEL
 - 1" DIA. STAINLESS STEEL PUCKS & SPACERS
B & N INDUSTRIES
 - THREADED ROD AND INSERTS
 - SUPPLIED AND INSTALLED BY G.C.
FC-12 FABRIC
F4 FABRIC
3/4" ACRYLIC

3942	AA	820
	BA	820
	BB	820
	BC	820
	BD	820
	BE	820
	CA	820
	CB	820
	CC	820
	CD	820
	DD	820
	DE	820

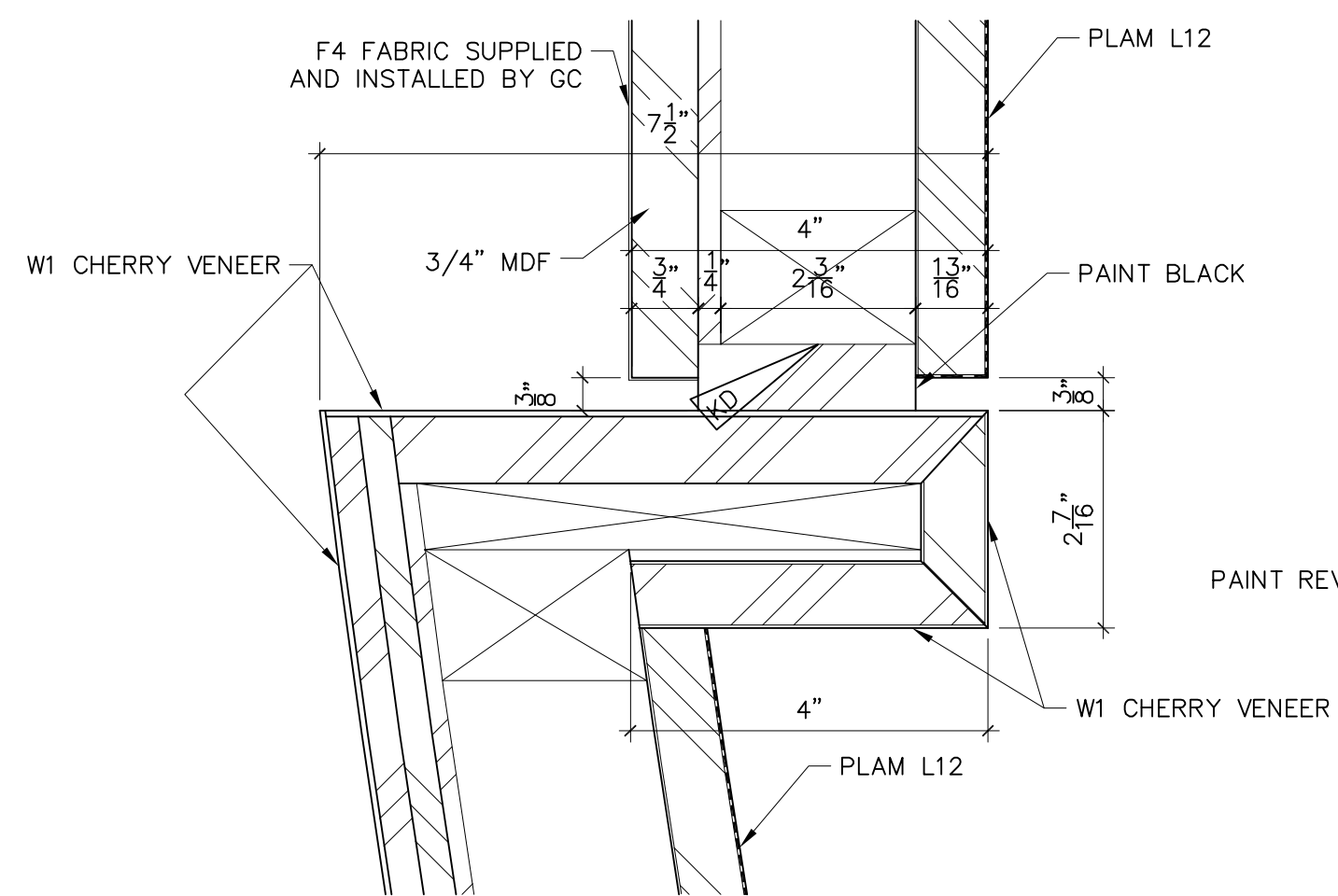
- 4244 3942 A 3-PLY VENEER SG.
- 4255 820 MA METAL BRACKETS
- 4245 400 LG TEMPLATES @ RADIUS ACRYLIC TOPS

DOUBLE CHECK BY:	DATE:
FIELD LAYOUT BY:	DATE:
7.	
6.	
5.	
4.	
3.	
2.	
1.	
REVISIONS:	

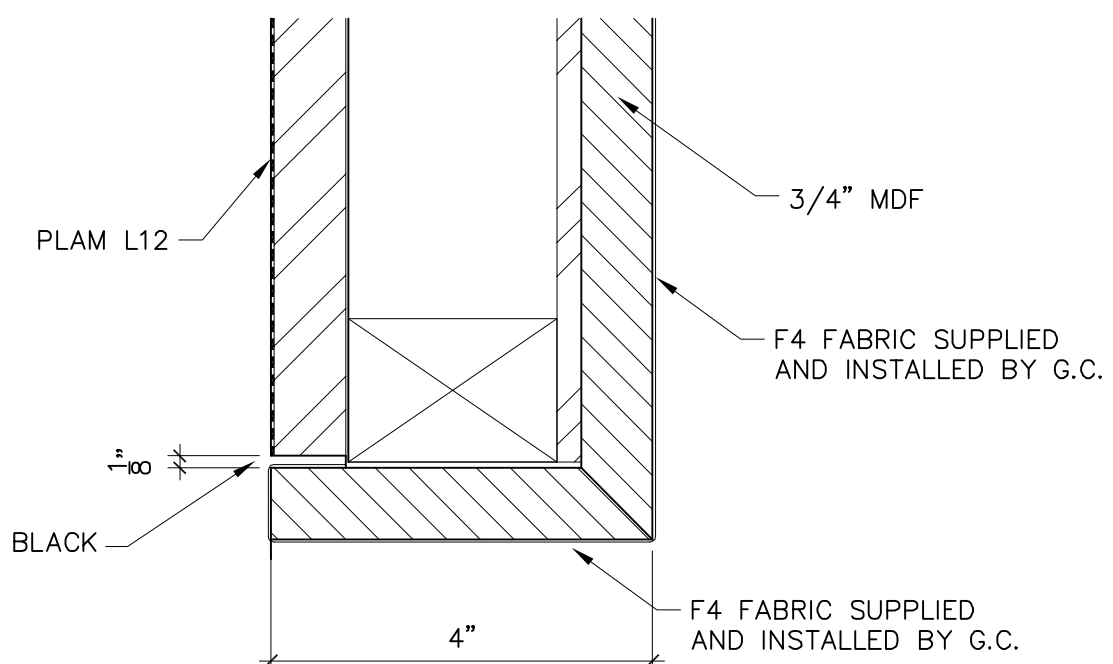
JOB NAME:
**COPORATE OFFICE
 RESTON, VA.**

DRAWING NAME:
**ELEVATIONS AT
 RECEPTION 661**

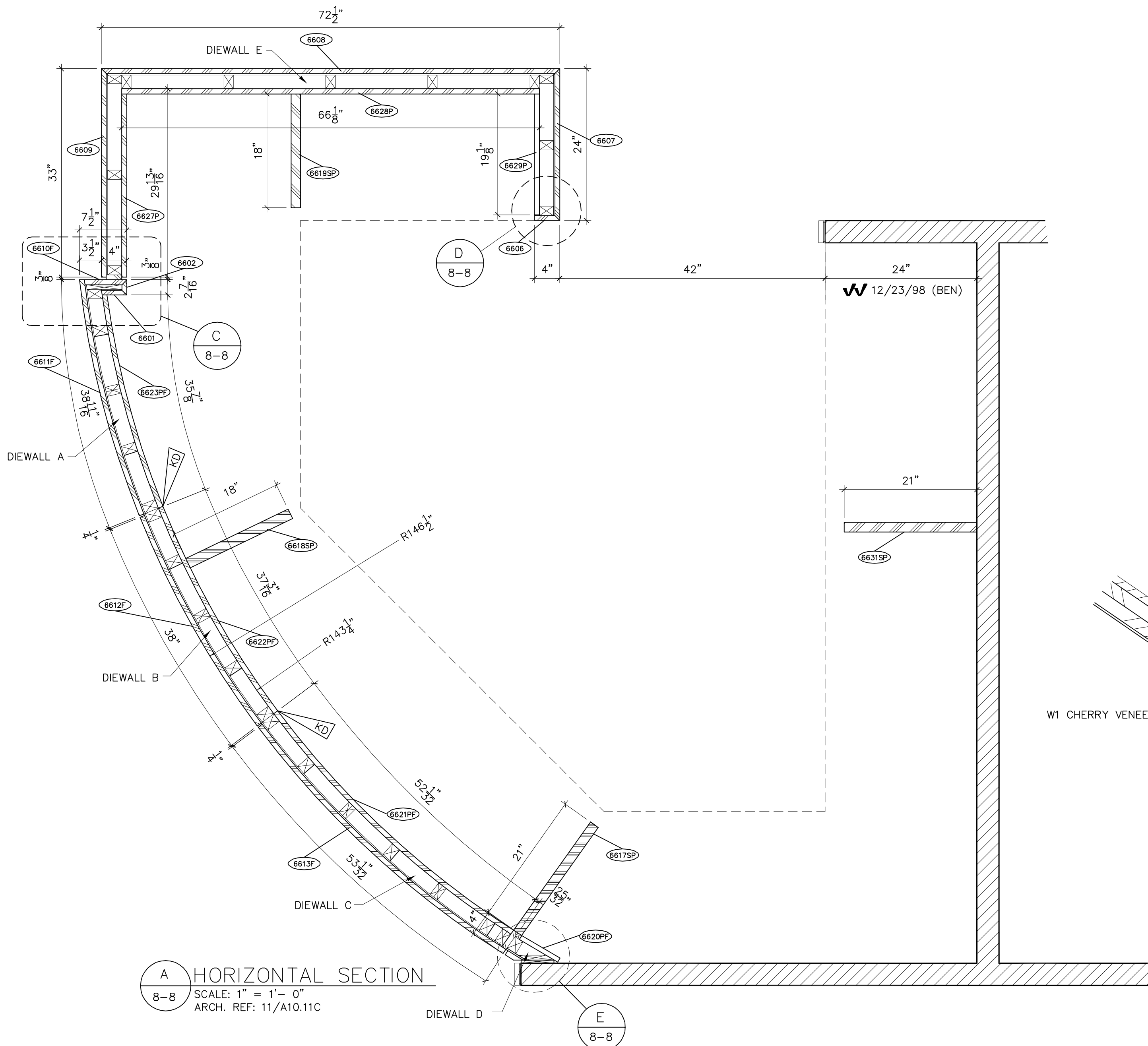
DRAWN BY:	DRAWING DATE: 12/11/98
JOB NO.	DRAWING NO. 8-7



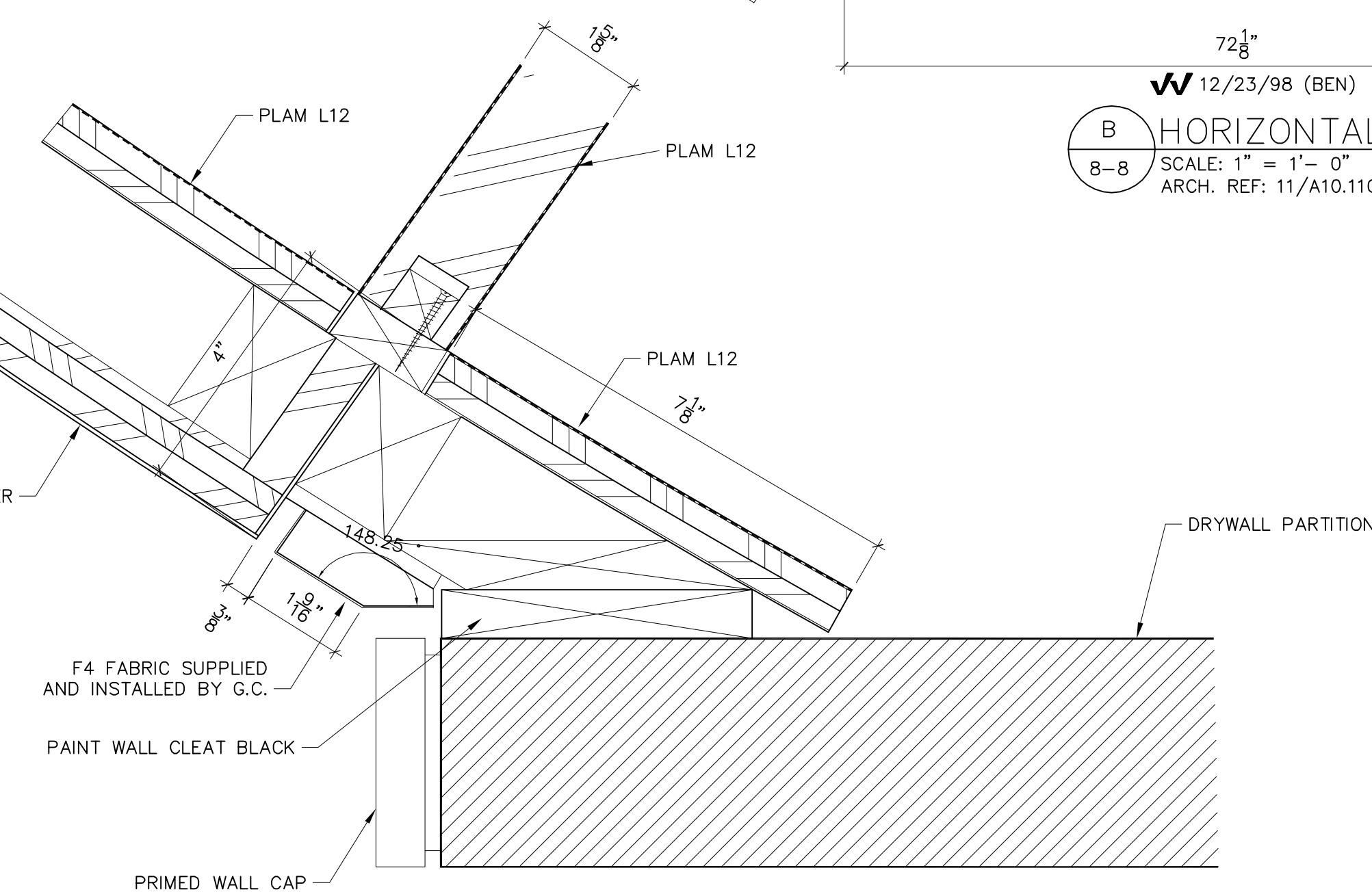
C DETAIL AT CORNER
8-8 SCALE: HALF FULL
ARCH. REF: 16/A11.7a



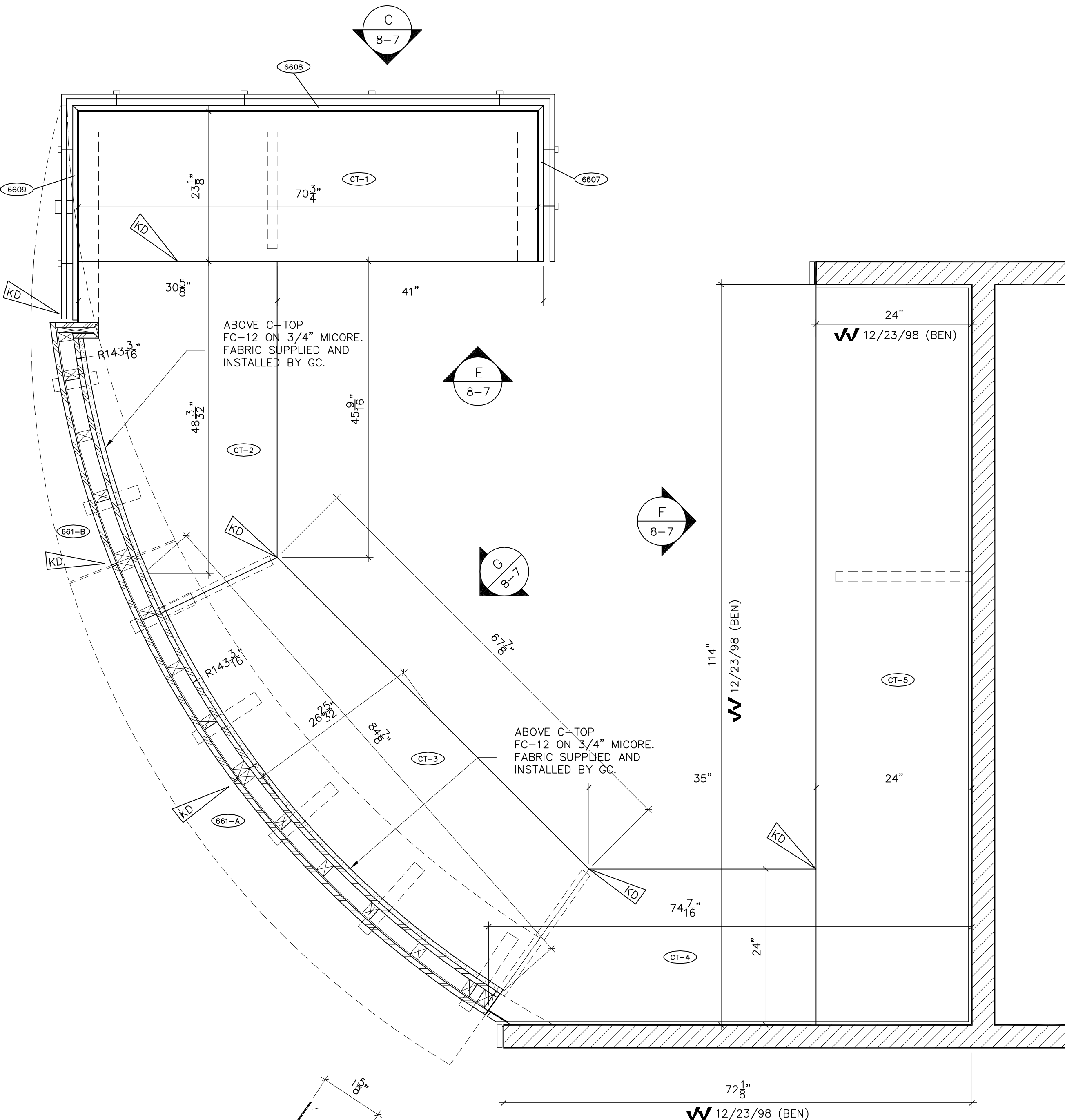
D DETAIL AT CORNER
8-8 SCALE: HALF FULL
ARCH. REF: NA



A HORIZONTAL SECTION
8-8 SCALE: 1" = 1'-0"
ARCH. REF: 11/A10.11C

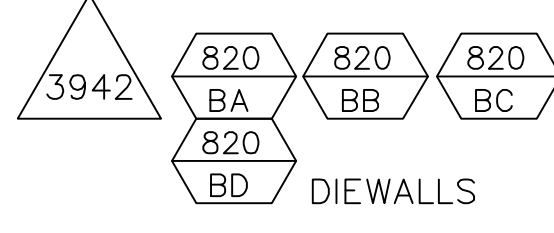


E DETAIL AT WALL
8-8 SCALE: HALF FULL
ARCH. REF: 11/A11.7B



B HORIZONTAL SECTION
8-8 SCALE: 1" = 1'-0"
ARCH. REF: 11/A10.11C

- NOTES:**
- W1 CHERRY VENEER
 - W4, W5, W6 COLORED MAPLE VENEER
 - L12 INTERLAM MAGNATITE #2205
 - STEEL SUPPORTS - 1/2" STEEL PLATE
1/4" CHANNEL
 - 1" DIA. STAINLESS STEEL PUCKS & SPACERS
B & N INDUSTRIES
 - THREADED ROD AND INSERTS
 - SUPPLIED AND INSTALLED BY G.C.
 - F4 FABRIC
3/4" ACRYLIC

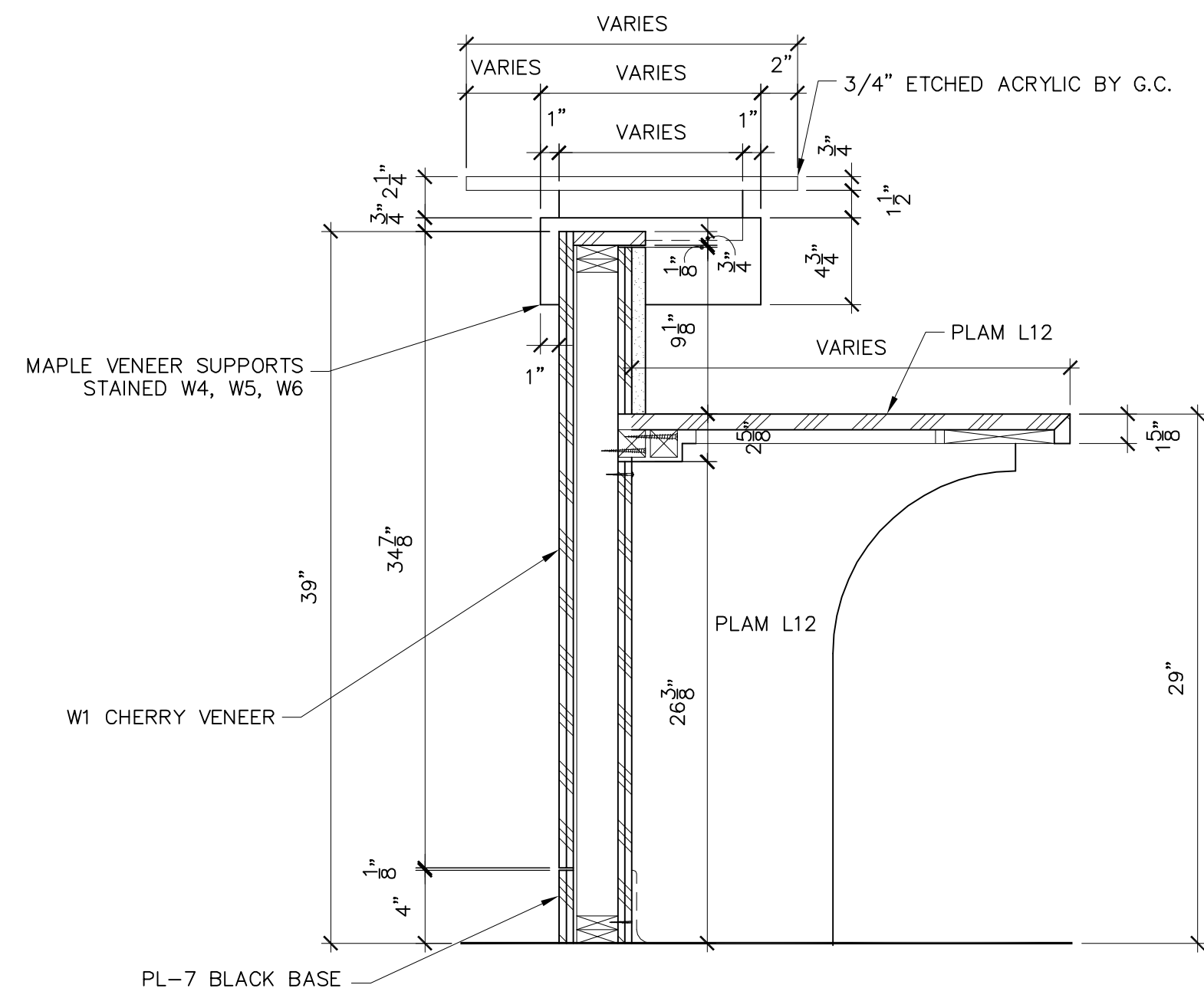


DOUBLE CHECK BY:	DATE:
FIELD LAYOUT BY:	DATE:
7.	
6.	
5.	
4.	
3.	
2.	
1.	
REVISIONS:	

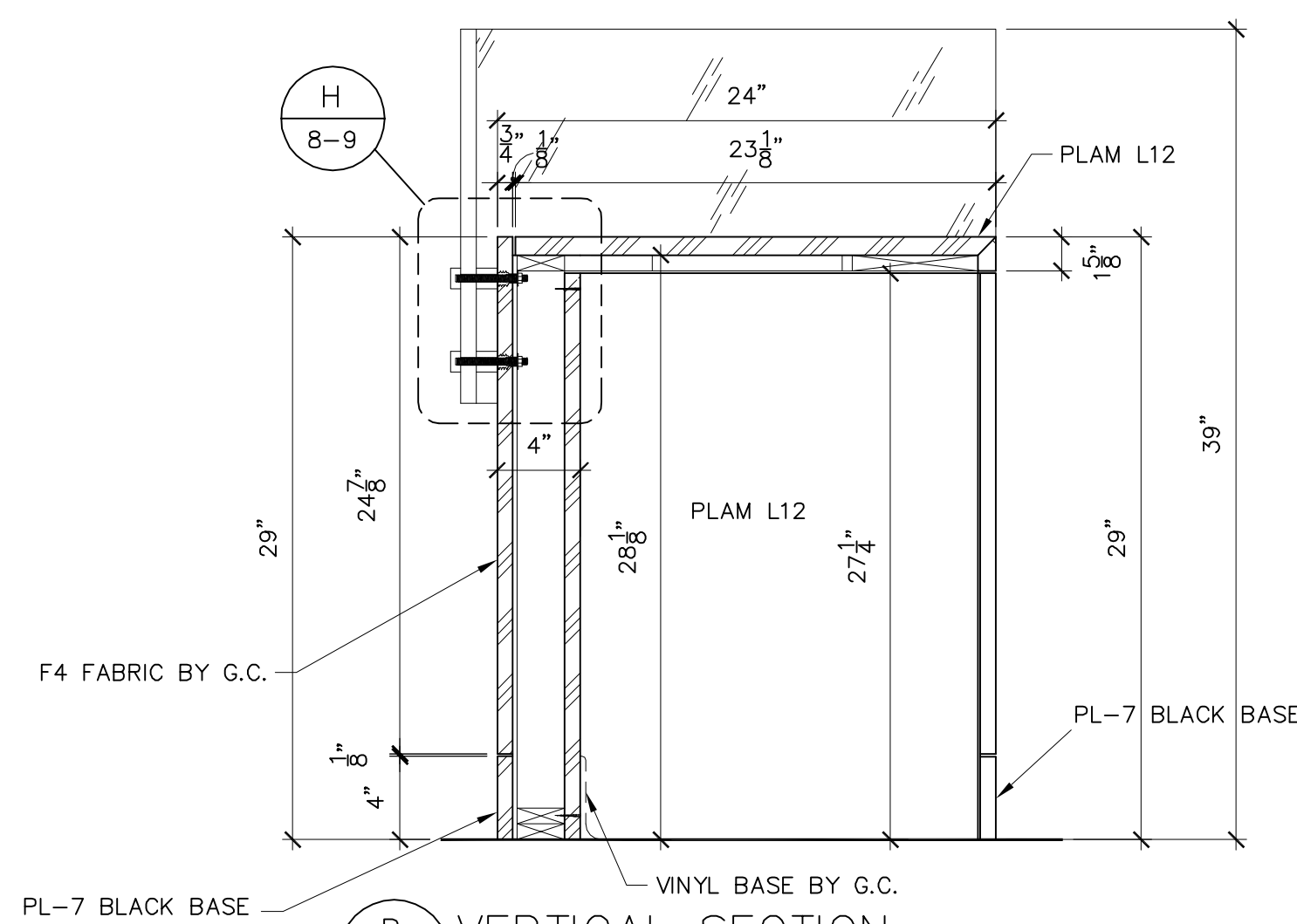
JOB NAME:
**COPORATE OFFIE
RESTON, VA**

DRAWING NAME:
**HORIZONTAL SECTION @
RECT. DESK. RM 661**

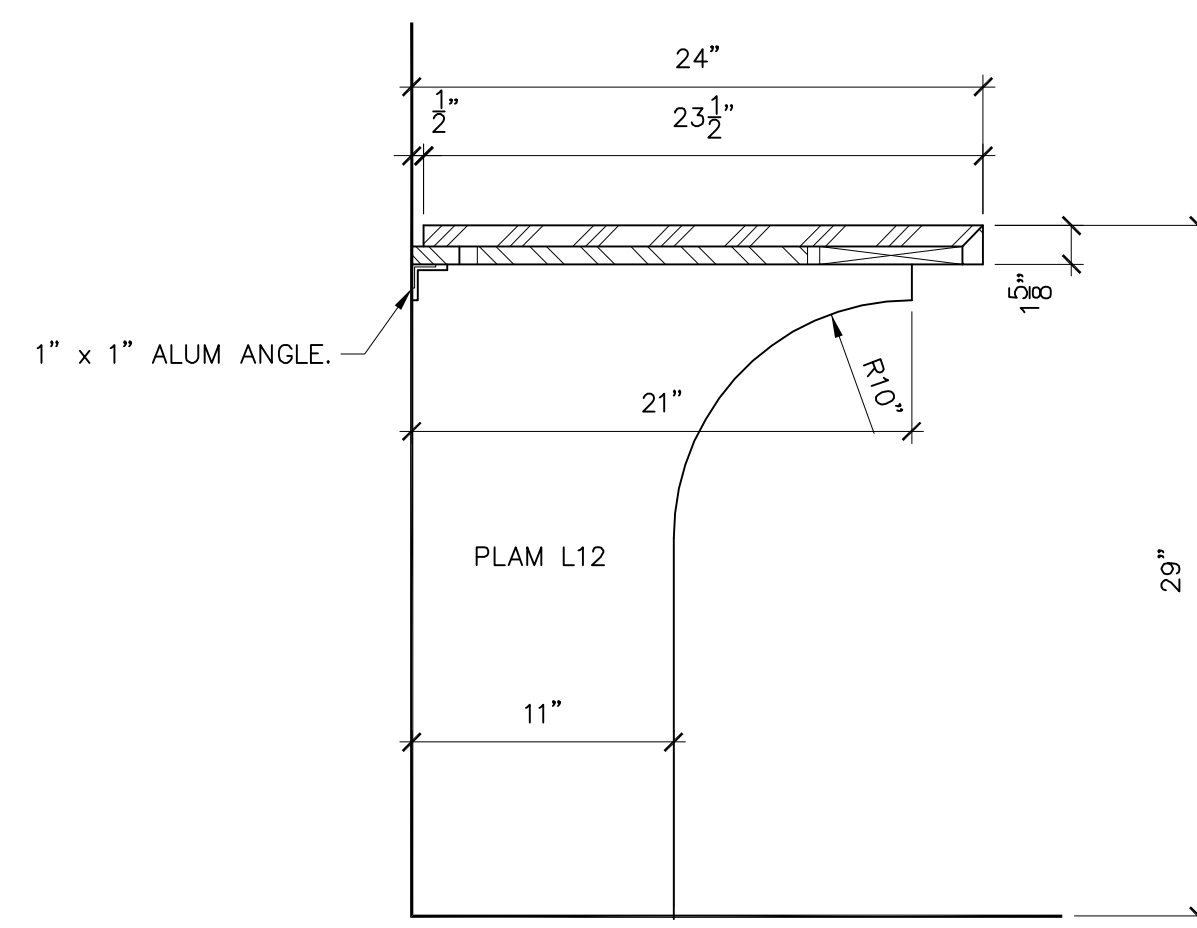
DRAWN BY:	DRAWING DATE:
JOB NO.	DRAWING NO.
	8-8



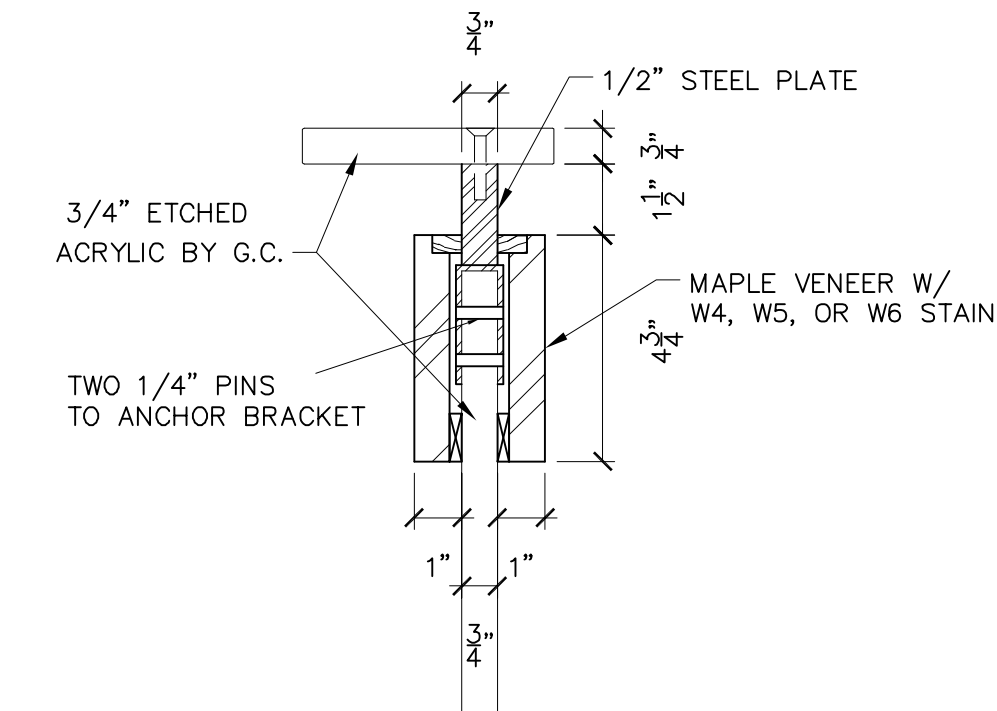
A VERTICAL SECTION
8-9 SCALE: 1 1/2" = 1'-0"
ARCH. REF: 2/A11.7b



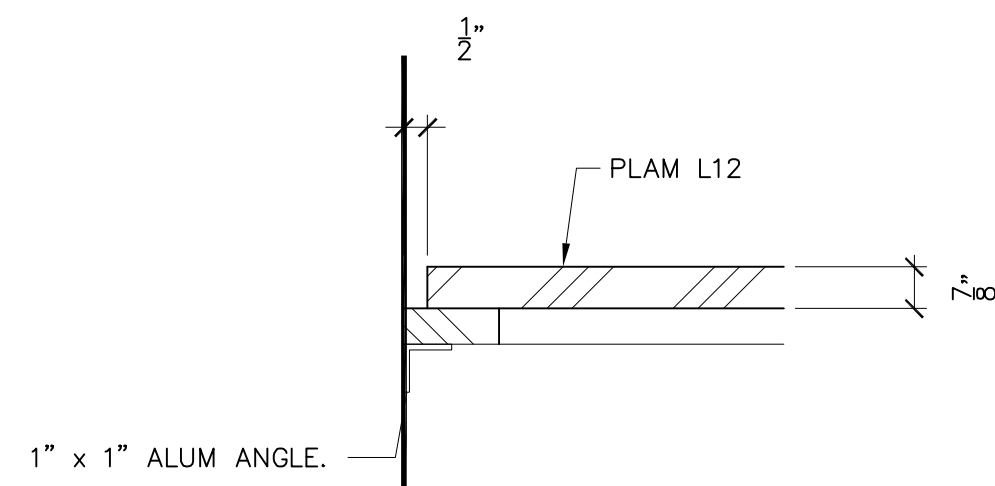
B VERTICAL SECTION
8-9 SCALE: 1 1/2" = 1'-0"
ARCH. REF: 1/A11.7b



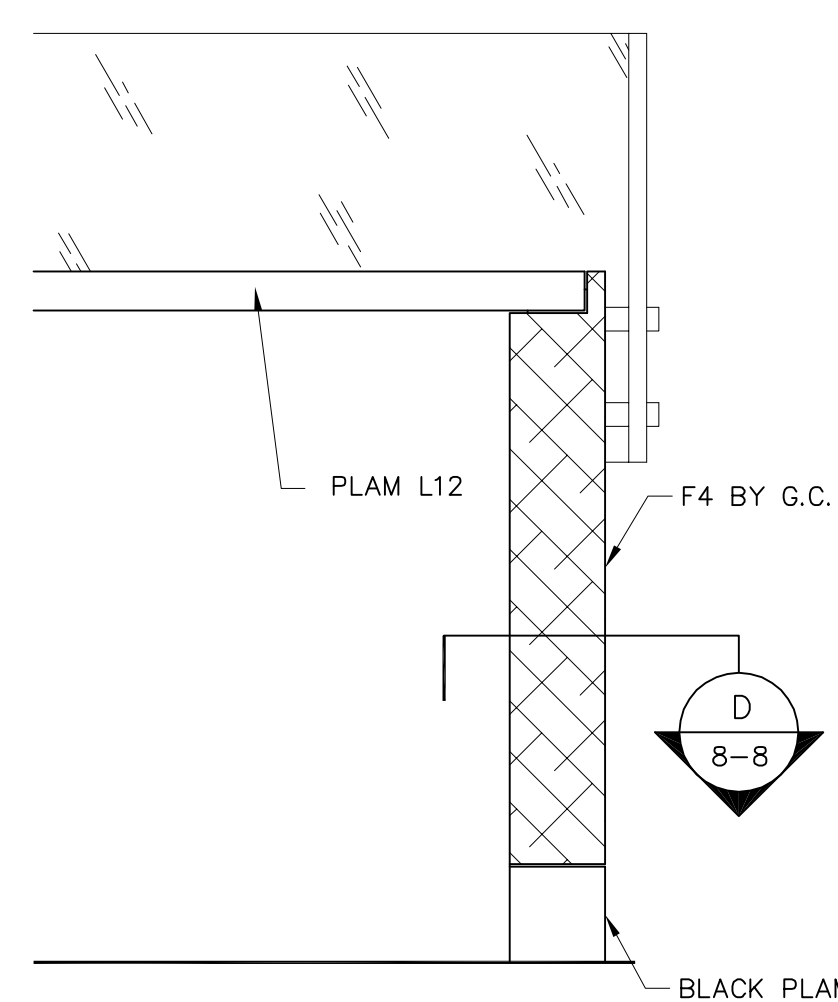
C VERTICAL SECTION
8-9 SCALE: 1 1/2" = 1'-0"
ARCH. REF: 5/A11.7b



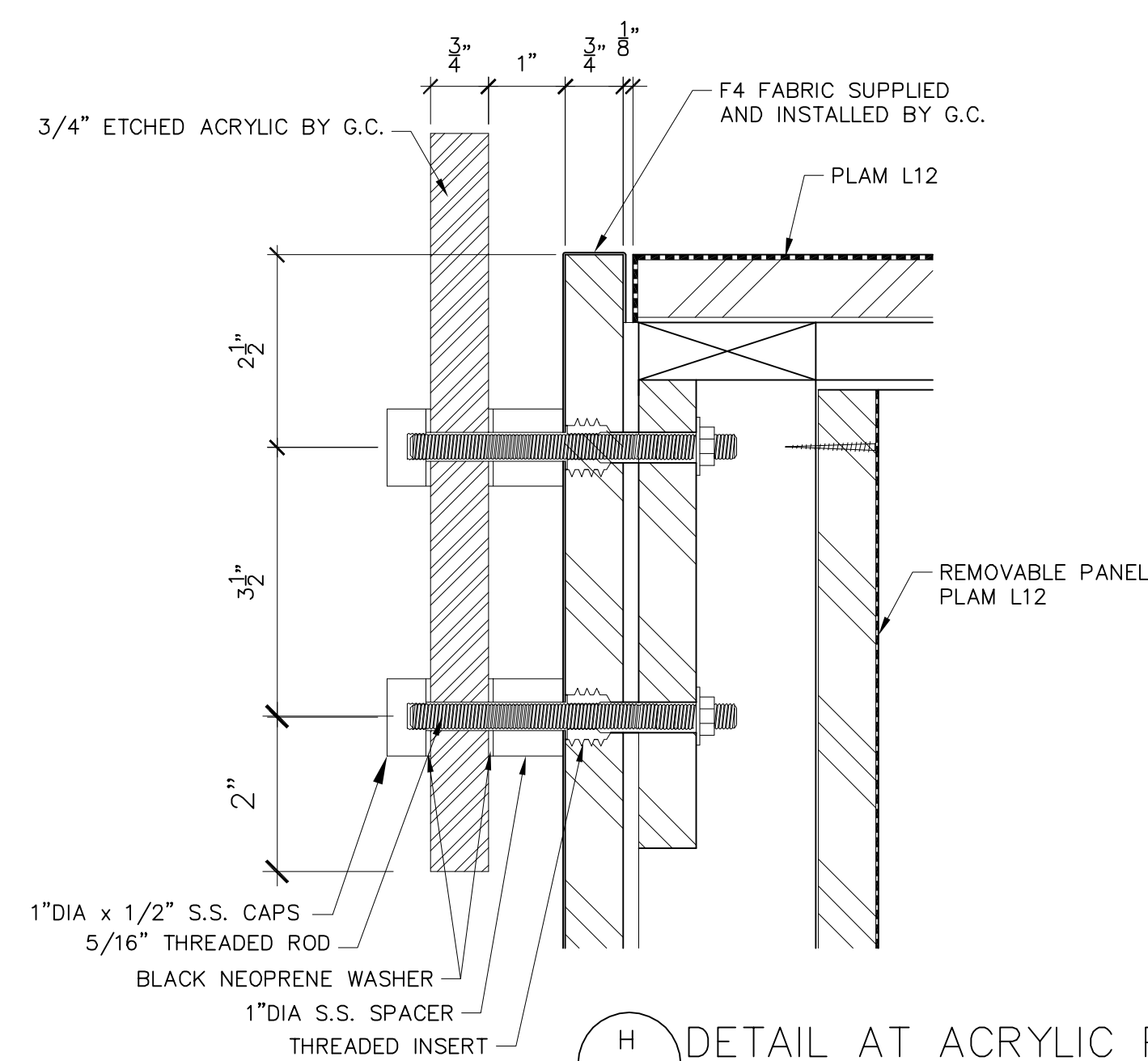
J DETAIL AT FLOATING SUPPORT
8-9 SCALE: 3" = 1'
ARCH. REF:



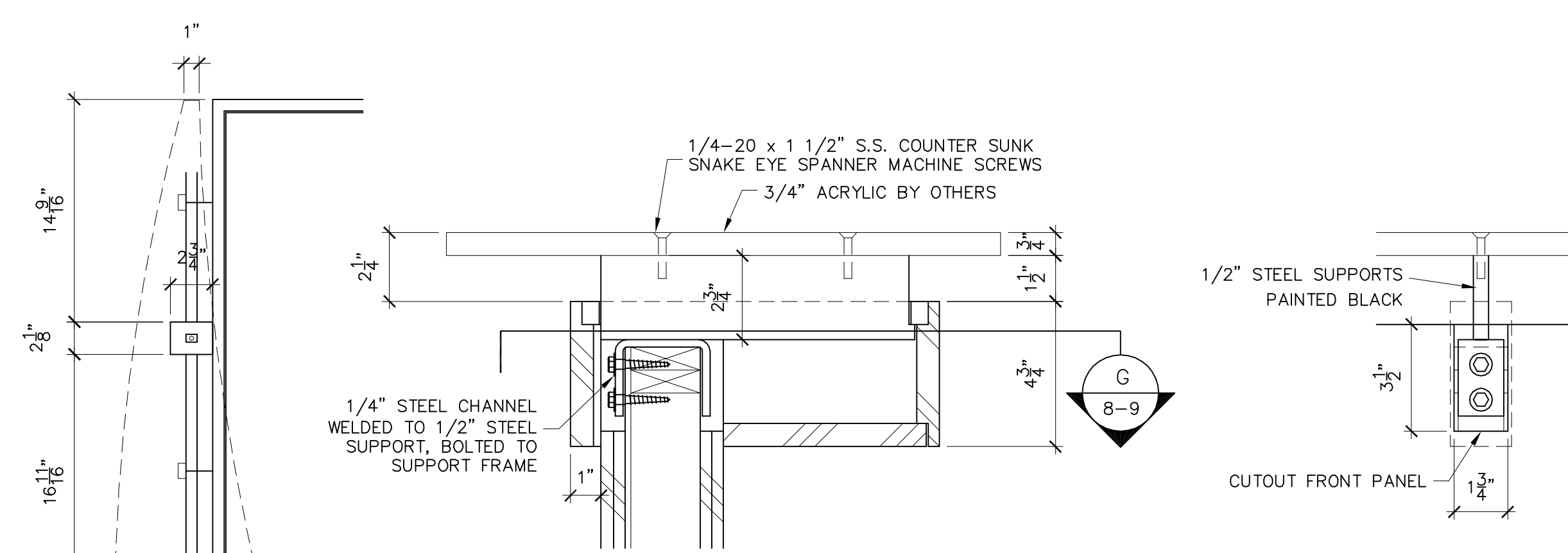
K DETAIL AT COUNTER
8-9 SCALE: 3" = 1'
ARCH. REF:



I PARTIAL ELEVATION
8-9 SCALE: 1 1/2" = 1'-0"
ARCH. REF:

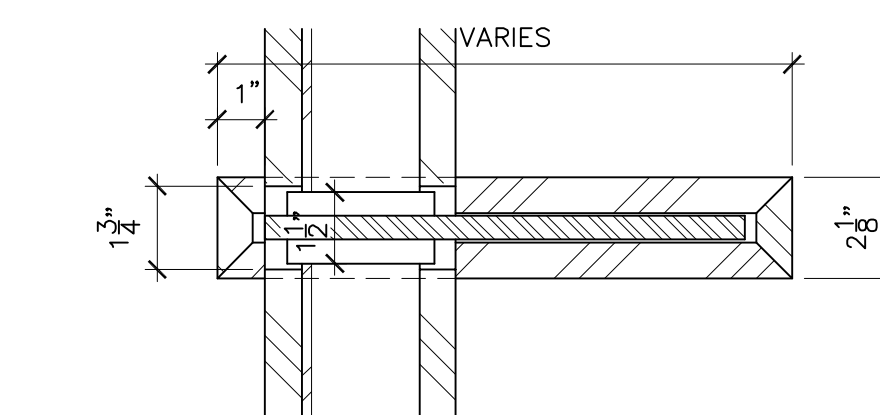


H DETAIL AT ACRYLIC PANEL
8-9 SCALE: HALF FULL
ARCH. REF:



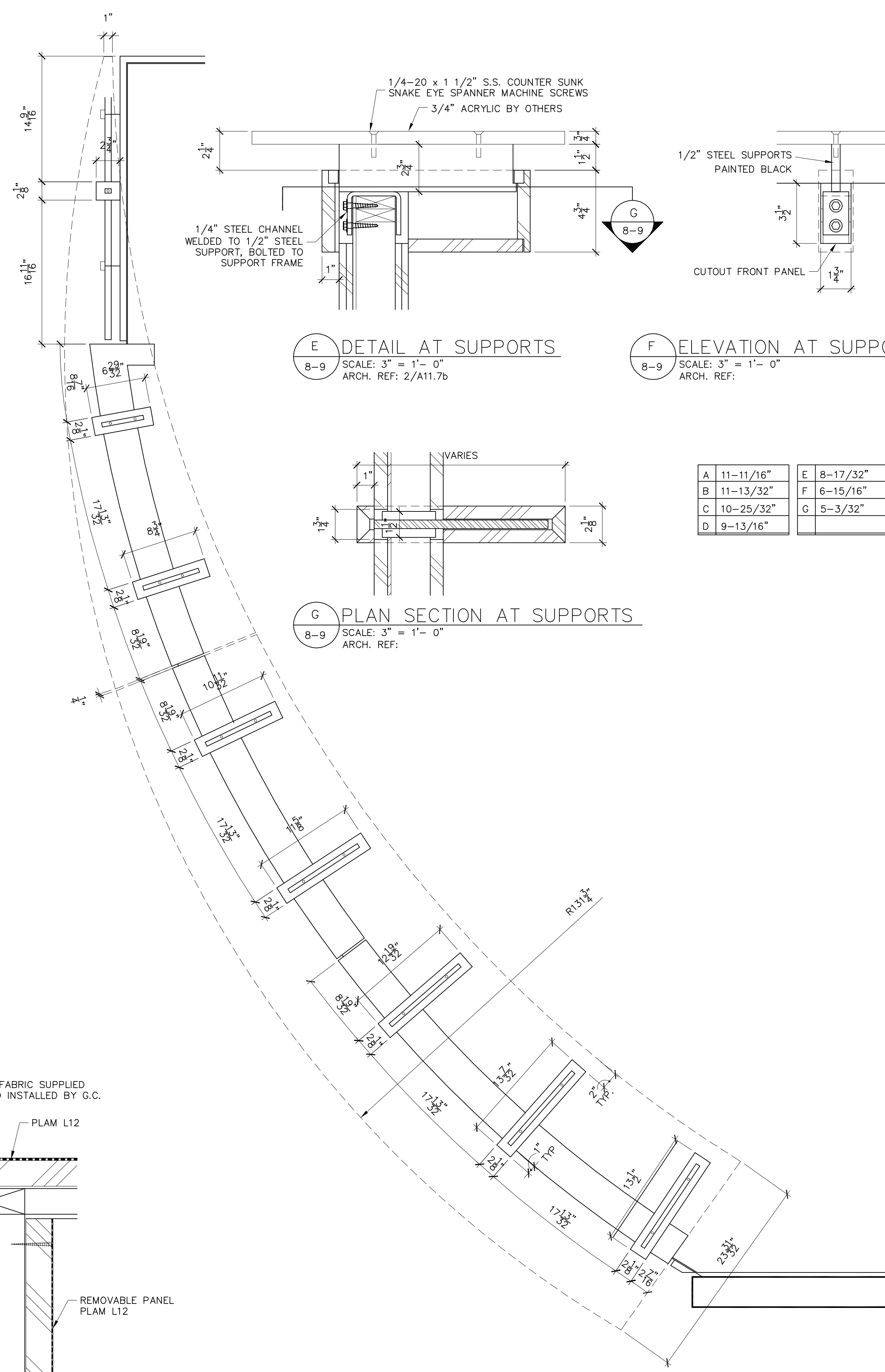
E DETAIL AT SUPPORTS
8-9 SCALE: 3" = 1'-0"
ARCH. REF: 2/A11.7b

F ELEVATION AT SUPPORTS
8-9 SCALE: 3" = 1'-0"
ARCH. REF:



G PLAN SECTION AT SUPPORTS
8-9 SCALE: 3" = 1'-0"
ARCH. REF:

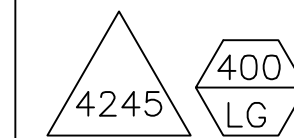
A	11-11/16"	E	8-17/32"
B	11-13/32"	F	6-15/16"
C	10-25/32"	G	5-3/32"
D	9-13/16"		



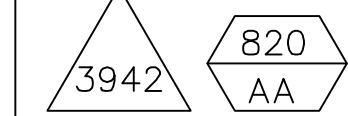
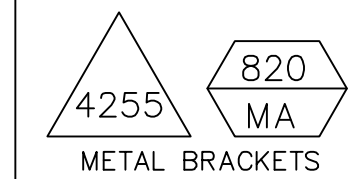
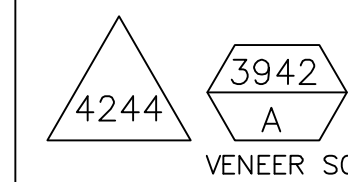
D LAYOUT OF ACRYLIC SHELF
8-9 SCALE: 1 1/2" = 1'-0"
ARCH. REF: 13/A10.11c

NOTES:

- W1 CHERRY VENEER
- W4, W5, W6 COLORED MAPLE VENEER
- L12 INTERLAM MAGNATITE #2205
- STEEL SUPPORTS - 1/2" STEEL PLATE
1/4" CHANNEL
- 1" DIA. STAINLESS STEEL PUCKS & SPACERS
B & N INDUSTRIES
- THREADED ROD AND INSERTS
- SUPPLIED AND INSTALLED BY G.C.
F4 FABRIC
3/4" ACRYLIC



TEMPLATE SHEET GOODS



DOUBLE CHECK BY: DATE:

FIELD LAYOUT BY: DATE:

7.	
6.	
5.	
4.	
3.	
2.	
1.	

REVISIONS:

JOB NAME:
CORPORATE OFFICE
RESTON, VA

DRAWING NAME:
VERTICAL SECTIONS @
RECPT. DESK. RM 661

DRAWN BY: DRAWING DATE:
12/08/98

JOB NO. DRAWING NO.
8-9