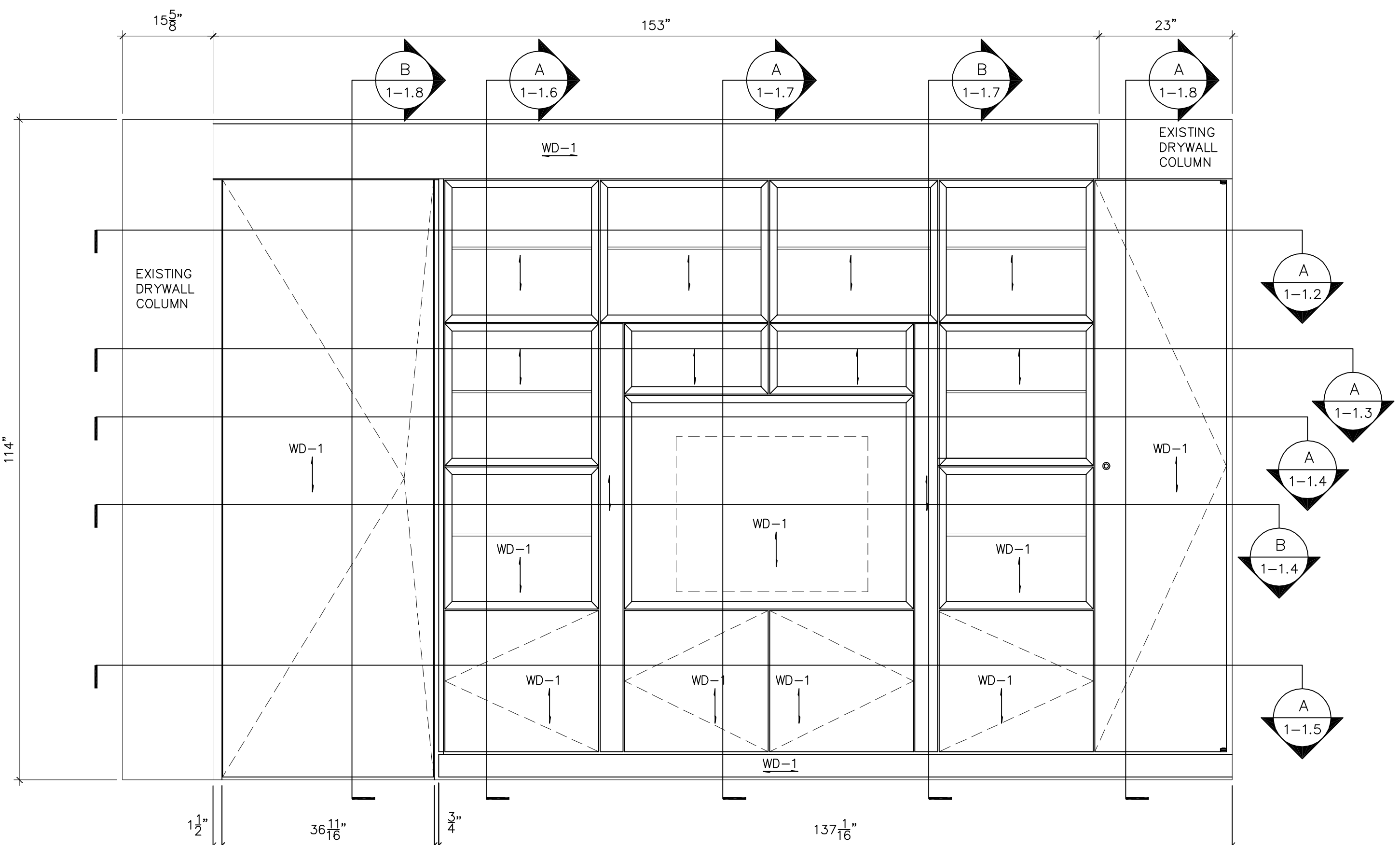


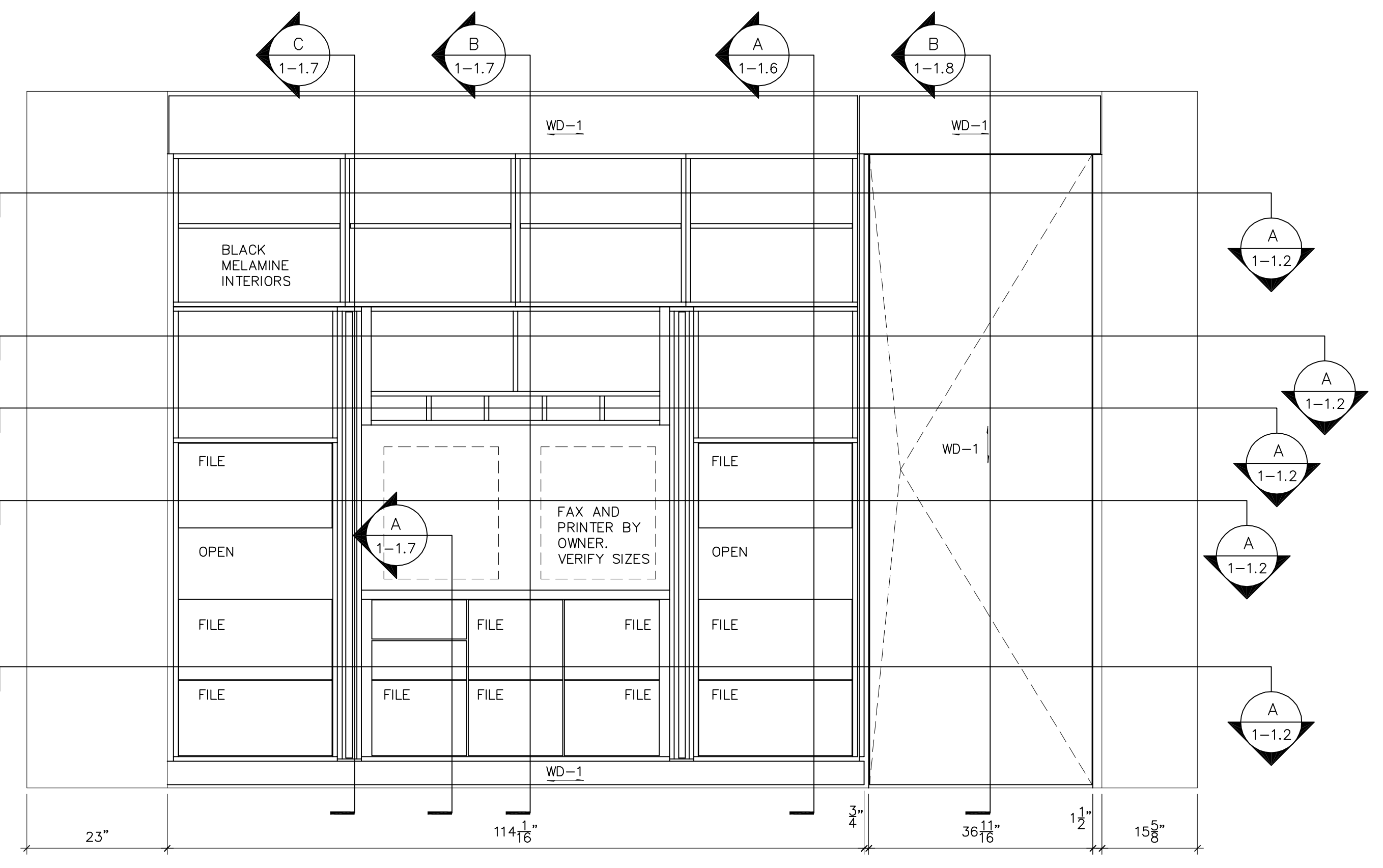
**A** DINING ROOM ELEVATION  
1-1.1 SCALE: 3/4" = 1'- 0"  
ARCH. REF:

**NOTE TO ARCH:**  
PLEASE SPECIFY TYPE OF PULLS  
FOR UPPER CABINETS AND  
PASS-THRU DOOR



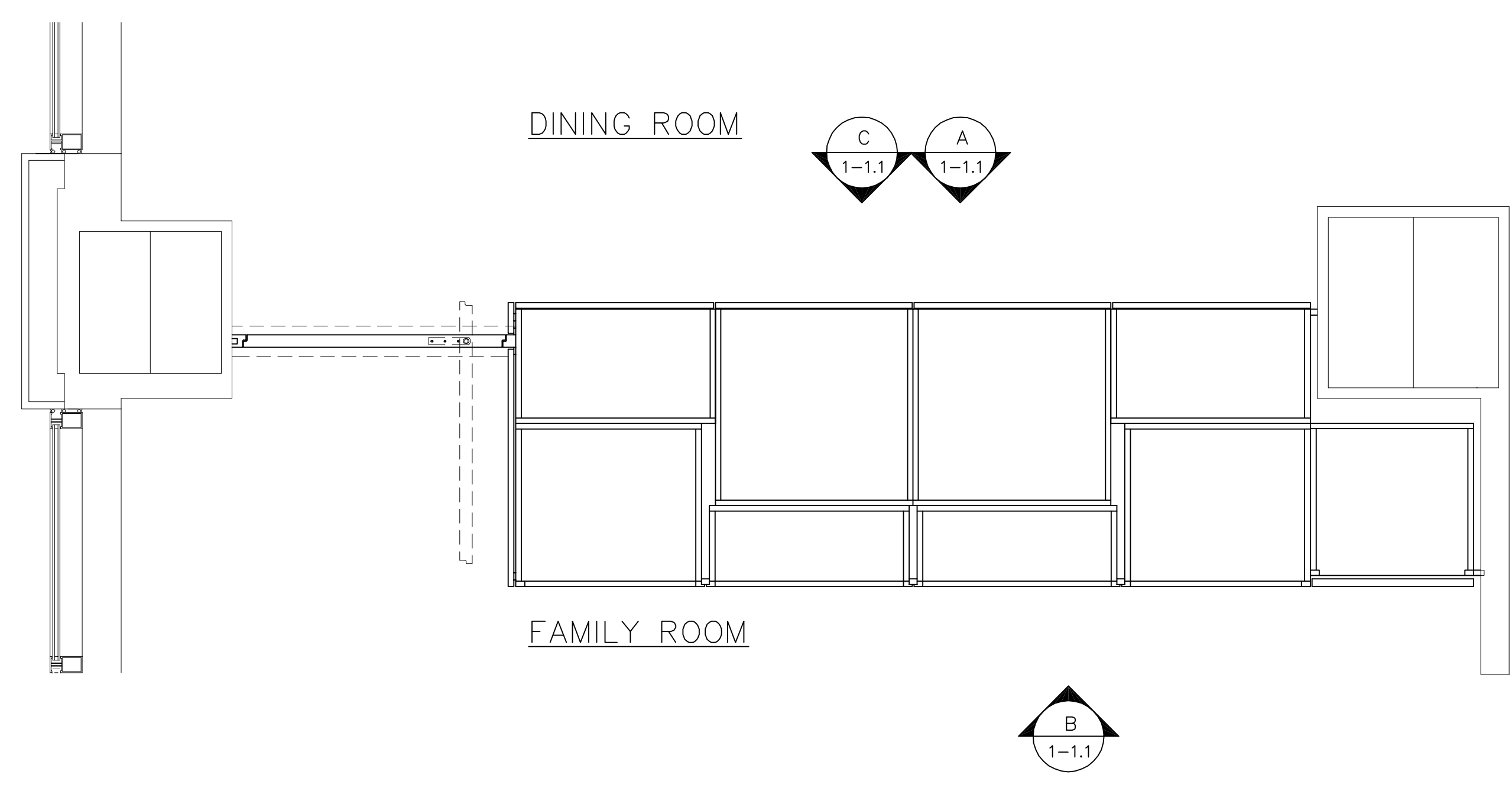
**B** FAMILY ROOM ELEVATION  
1-1.1 SCALE: 3/4" = 1'- 0"  
ARCH. REF:

**NOTE TO ARCH:**  
SUGATSUNE #PK-04 HAS BEEN  
DISCONTINUED. THE NEW PART NUMBER  
IS PK-03/BN.



**C** DINING ROOM ELEVATION W/O DOORS  
1-1.1 SCALE: 3/4" = 1'- 0"  
ARCH. REF:

**NOTE TO ARCH:**  
PLEASE SPECIFY TYPE OF PULLS  
AND FINISH FOR DRAWER FRONTS



**D** PLAN VIEW OF DIVIDER WALL  
1-1.1 SCALE: 3/4" = 1'- 0"  
ARCH. REF: PLAN R.1


NOTES:

FINISHES:
WD-1: QUARTER SLICED WENGE VENEER OR QUARTER SAWN SOLID WENGE

CABINET HARDWARE:
-------------------

HINGES:  
CABINET DOORS: BLUM 125° SELF CLOSING  
FULL HEIGHT CABINET DOORS: STANLEY #327

PULLS :  
FULL HEIGHT CABINET DOORS: SUGATSUNE  
#PK-03BN PUSH KNOBS

CABINET DOORS: TO BE SPECIFIED  
DRAWER FRONTS: TO BE SPECIFIED

DRAWER SLIDES: FILTERER #FR5000, 100LB  
FULL EXTENSION, 12"L

SHELF PINS: HAFELE SPOON SHAPED  
SHELF PINS, 5MM BRASS

NOTE: ALL CABINET INTERIORS TO BE BLACK  
MELAMINE UNLESS OTHERWISE NOTED.

DOOR HARDWARE:
----------------

HINGES:  
BOTTOM: RIXON #128-3/4 CENTER PIVOT  
TOP: RIXON #340 CENTER PIVOT

CATCHES: ROCKWOOD #590  
ROLLER LATCH

PULLS: TO BE SPECIFIED

DOUBLE CHECK BY:	DATE:
------------------	-------

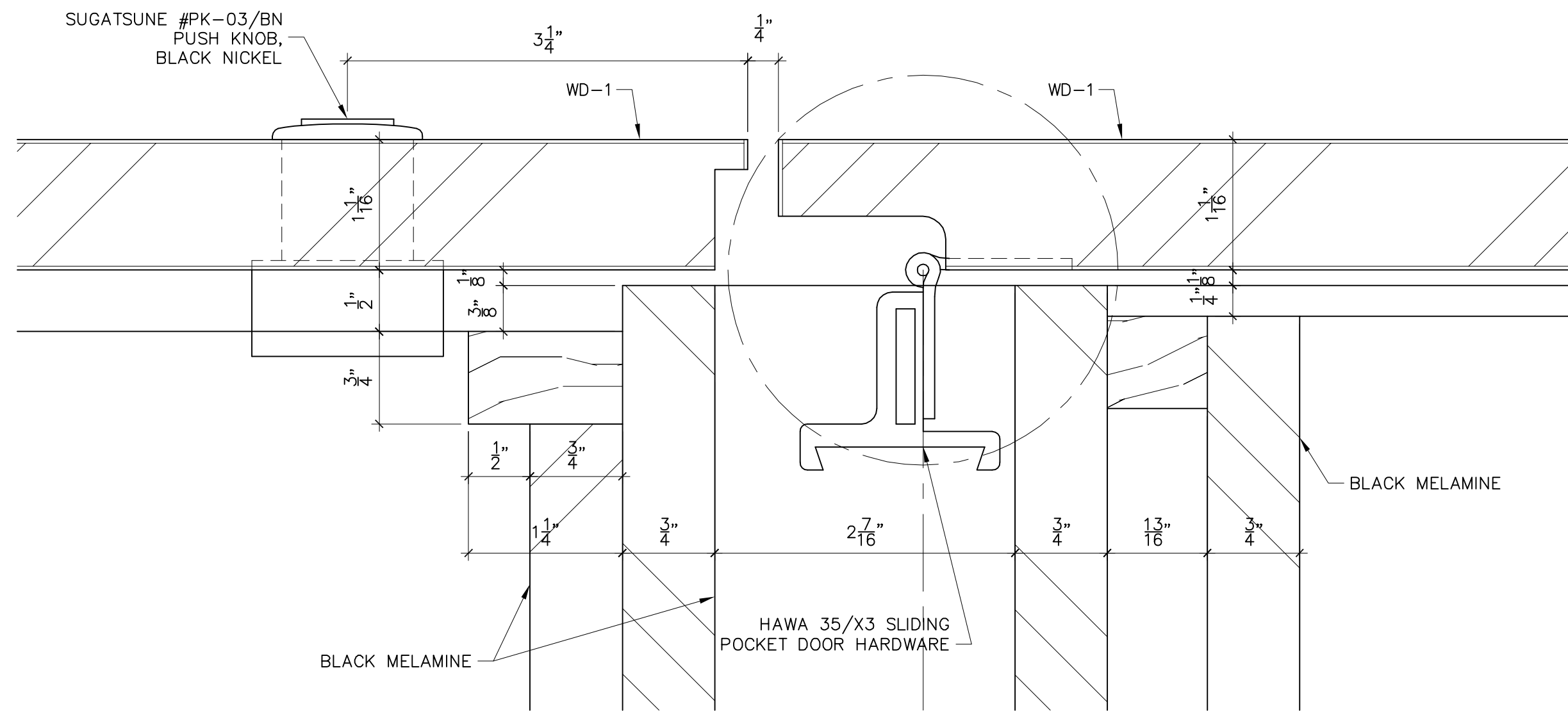
FIELD LAYOUT BY:	DATE:
------------------	-------

7.	
6.	
5.	
4.	
3.	
2.	
1.	
	REVISIONS:

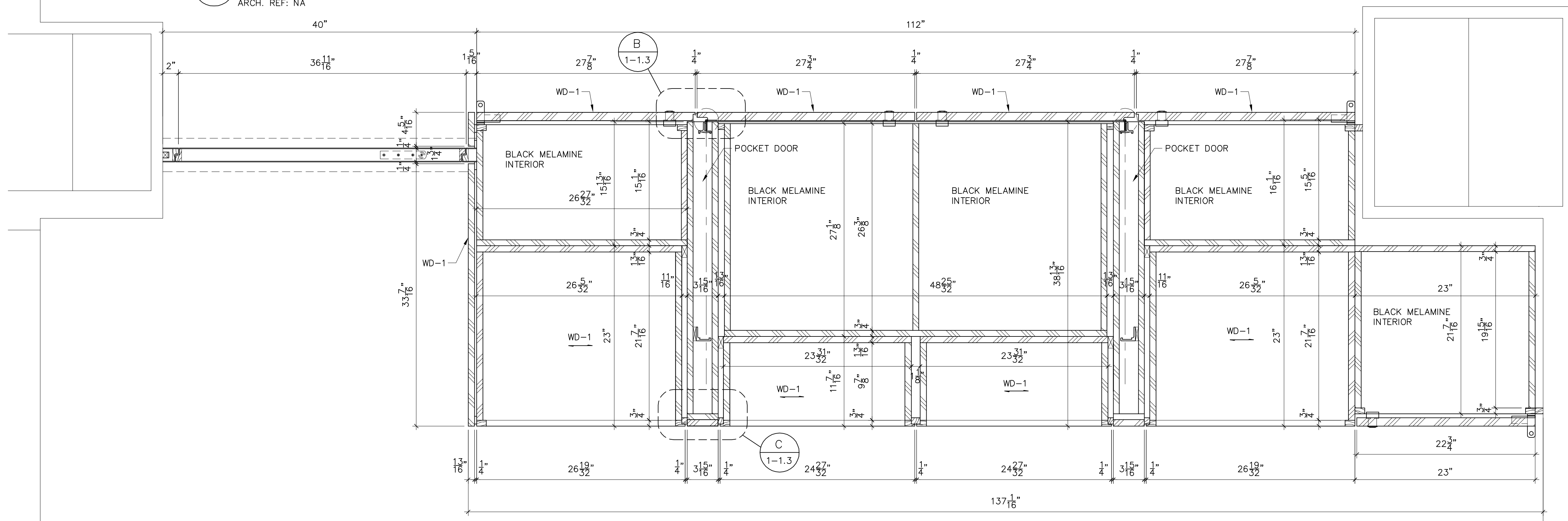
JOB NAME: PRIVATE RESIDENCE HOUSTON, TX
---

DRAWING NAME: FAMILY RM/DINING RM MEDIA WALL/DIVIDER	
DRAWN BY:	DRAWING DATE:
JOB NO.	DRAWING NO. 1-1.1

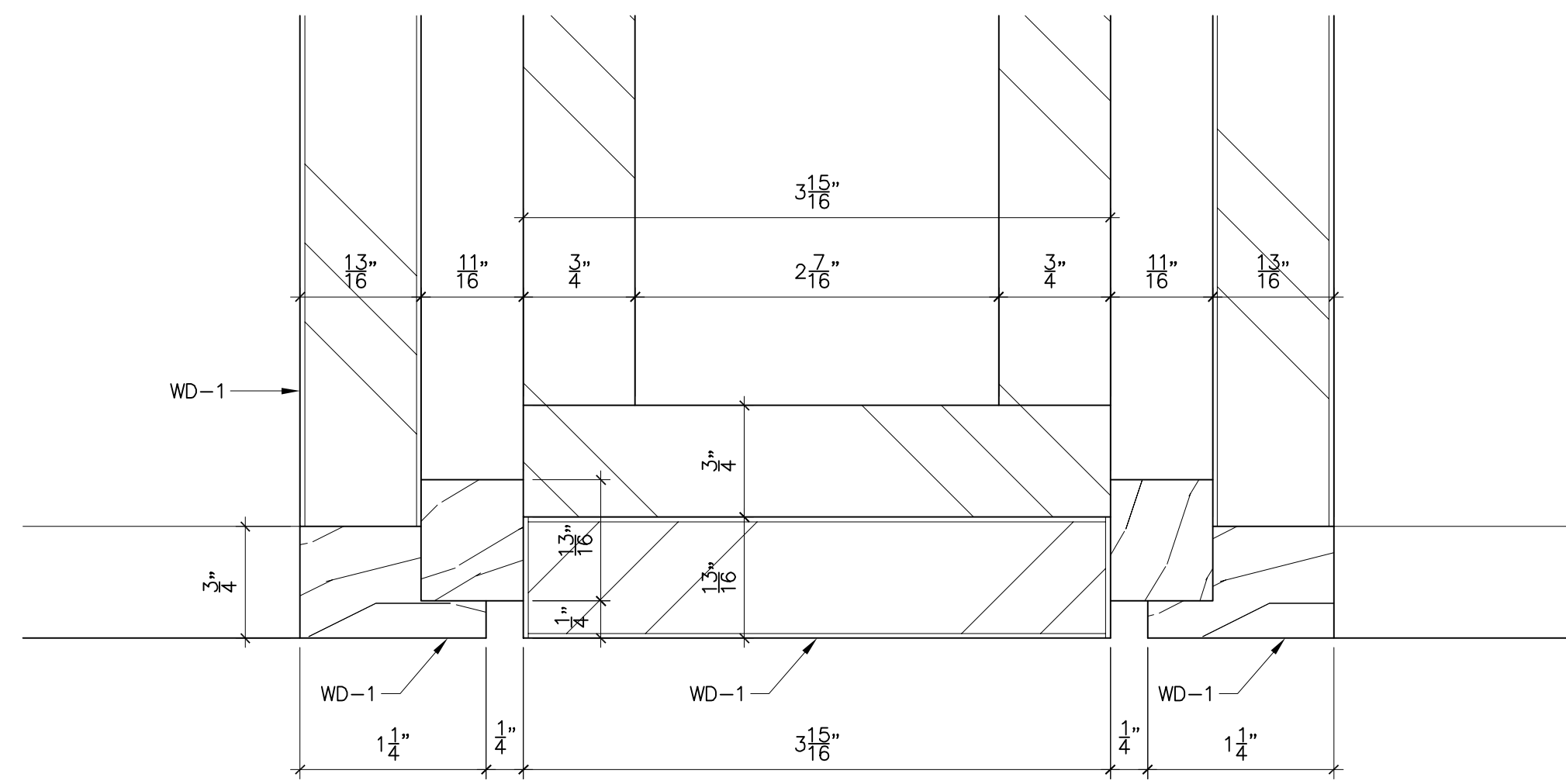




**B** DETAIL AT POCKET DOOR  
 1-1.3 SCALE: FULL  
 ARCH. REF: NA



**A** HORIZONTAL SECTION  
 1-1.3 SCALE: 1-1/2" = 1'-0"  
 ARCH. REF: PLAN R.1



**C** DETAIL AT POCKET DOOR  
 1-1.3 SCALE: FULL  
 ARCH. REF: NA

NOTES:

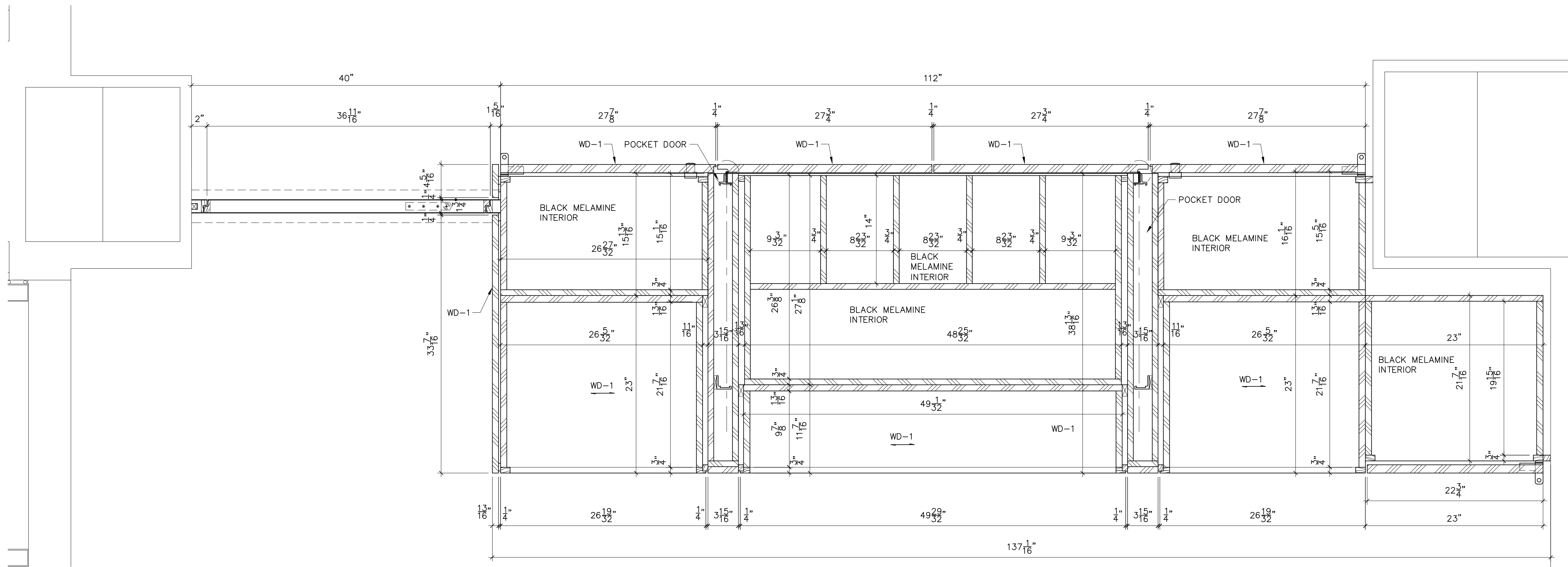
DOUBLE CHECK BY:	DATE:
FIELD LAYOUT BY:	DATE:
7.	
6.	
5.	
4.	
3.	
2.	
1.	
REVISIONS:	

JOB NAME:  
 PRIVATE RESIDENCE  
 HOUSTON, TX

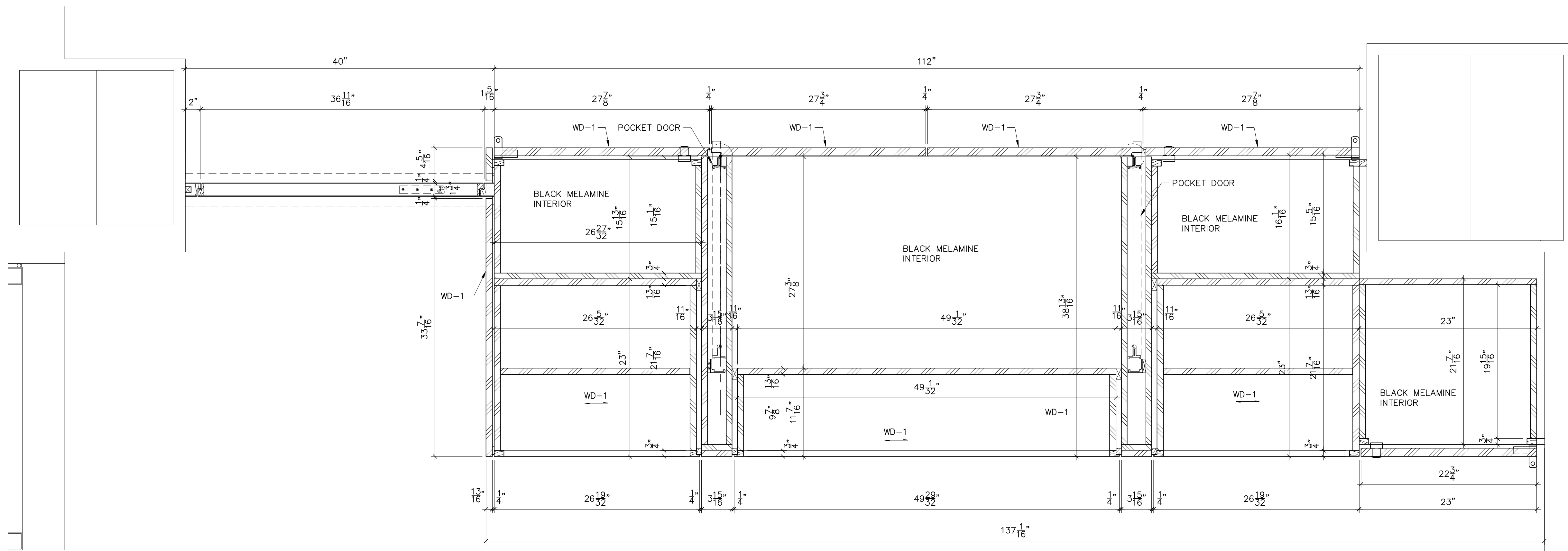
DRAWING NAME:  
 FAMILY RM/DINING RM  
 SECTIONS & DETAILS

DRAWN BY:	DRAWING DATE: 02/23/05
JOB NO.	DRAWING NO. 1-1.3





A HORIZONTAL SECTION  
 1-1.4 SCALE: 1-1/2" = 1'- 0"  
 ARCH. REF: PLAN R.1



B HORIZONTAL SECTION  
 1-1.4 SCALE: 1-1/2" = 1'- 0"  
 ARCH. REF: PLAN R.1

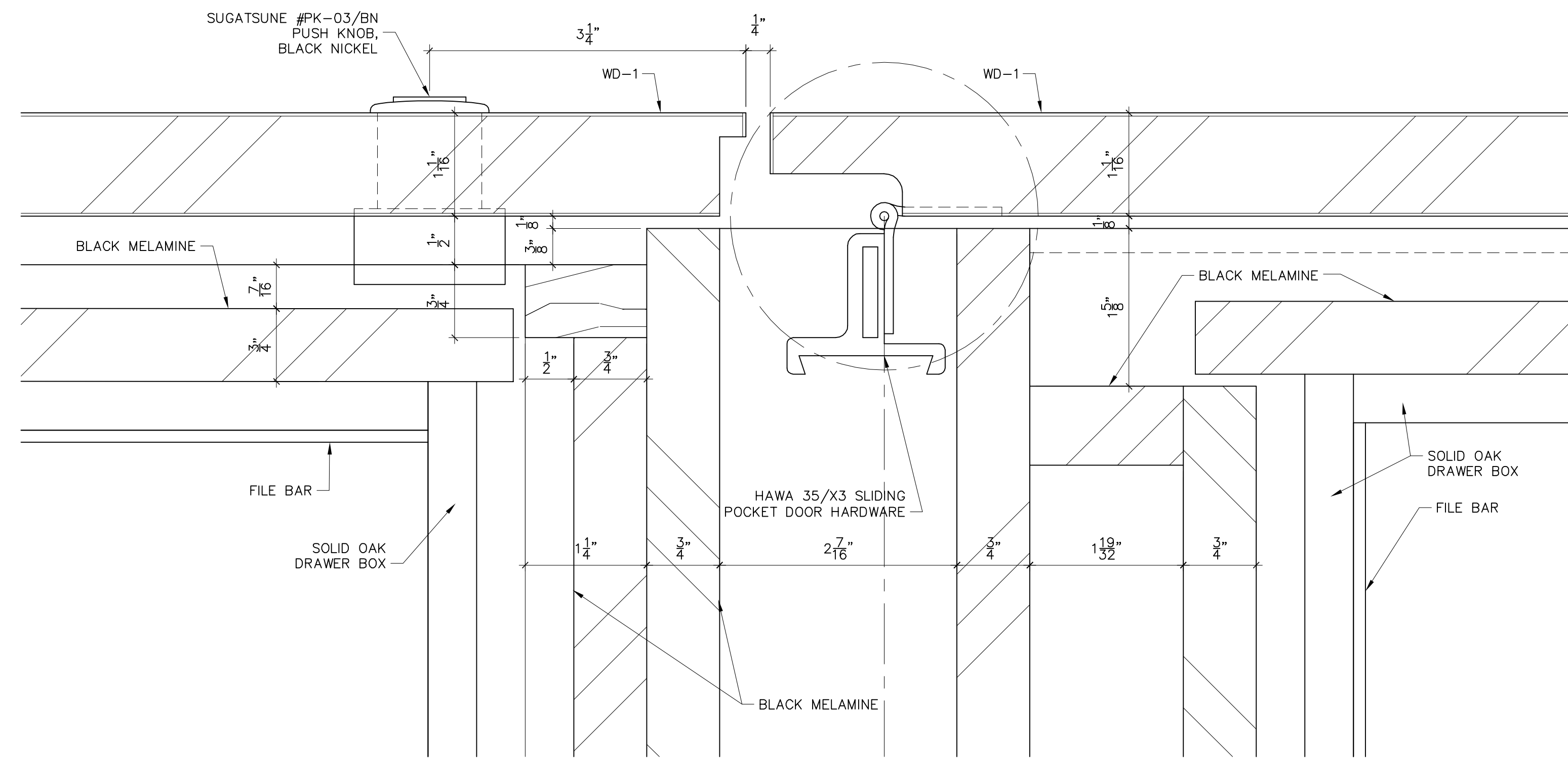
NOTES:

DOUBLE CHECK BY:	DATE:
FIELD LAYOUT BY:	DATE:
7.	
6.	
5.	
4.	
3.	
2.	
1.	
REVISIONS:	

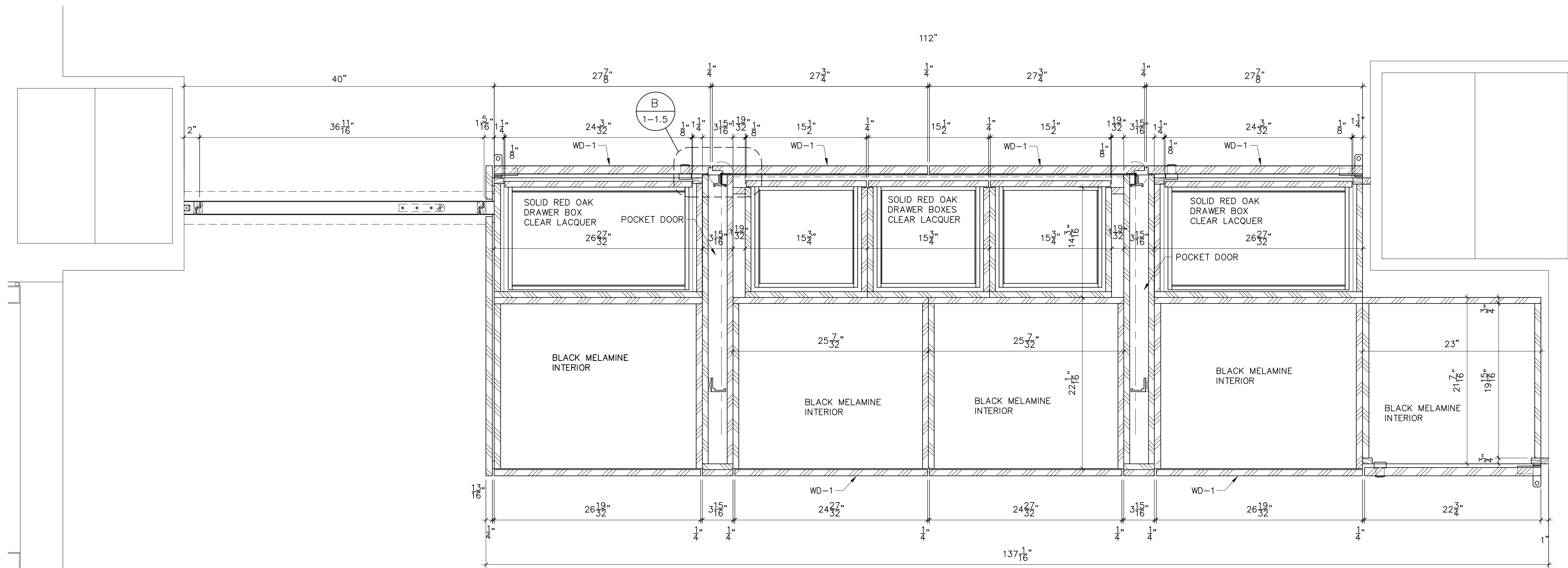
JOB NAME:  
 PRIVATE RESIDENCE  
 HOUSTON, TX

DRAWING NAME:  
 FAMILY RM/DINING RM  
 SECTIONS & DETAILS

DRAWN BY:	DRAWING DATE: 02/23/05
JOB NO.	DRAWING NO. 1-1.4



**B** DETAIL AT POCKET DOOR  
 1-1.5 SCALE: FULL  
 ARCH. REF: NA



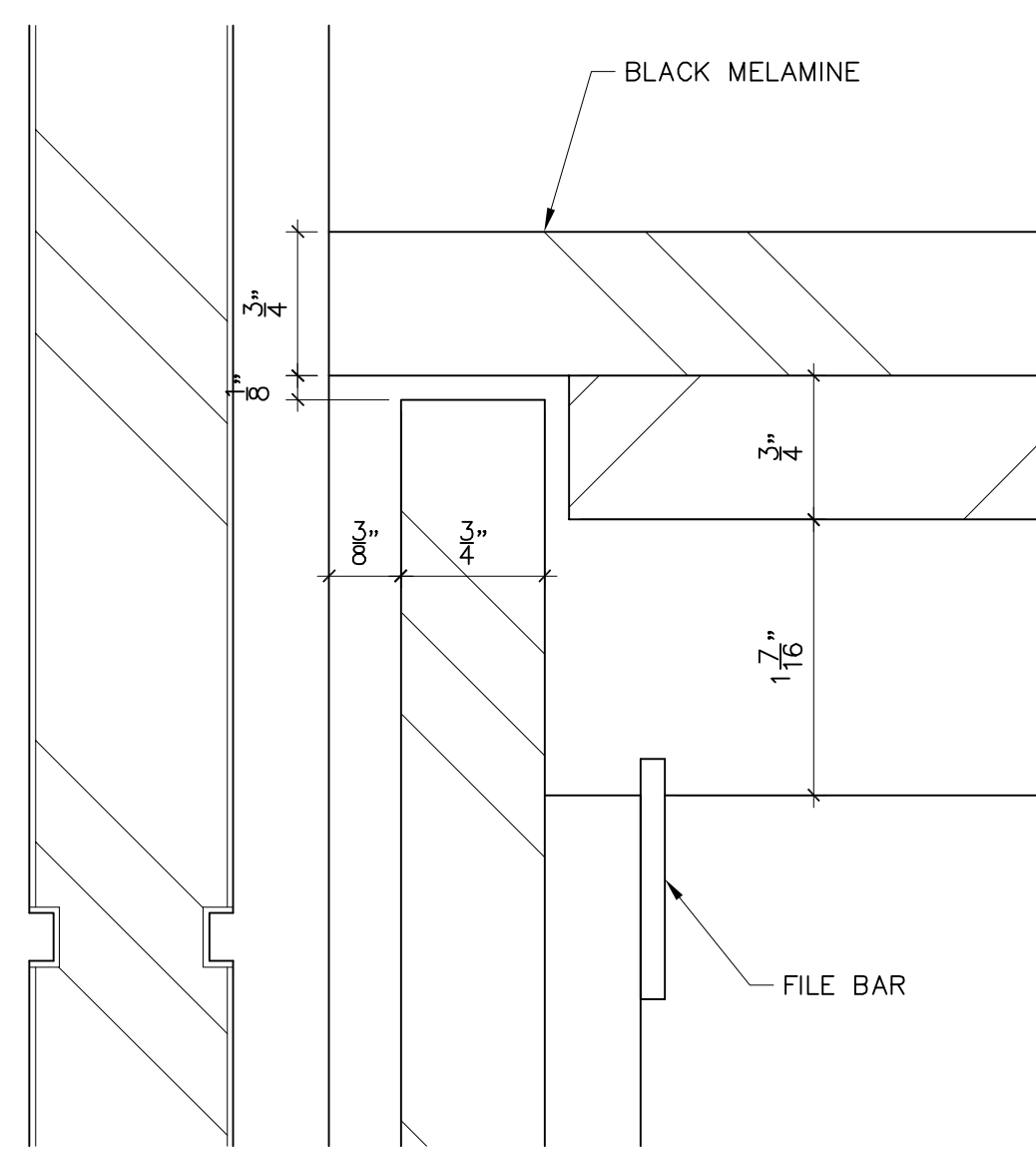
**A** HORIZONTAL SECTION  
 1-1.5 SCALE: 1-1/2" = 1'-0"  
 ARCH. REF: PLAN R.1

NOTES:

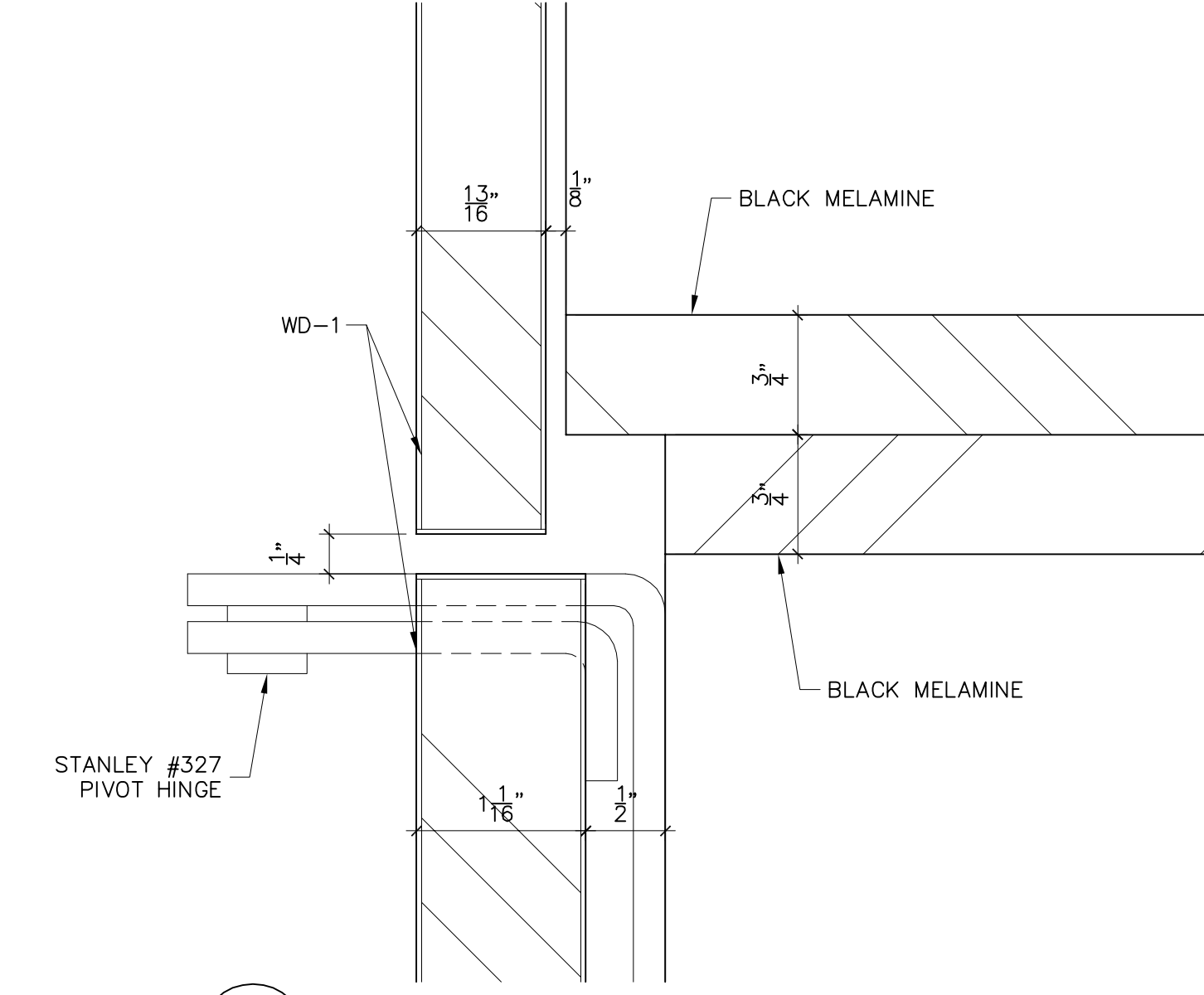
DOUBLE CHECK BY:	DATE:
FIELD LAYOUT BY:	DATE:
7.	
6.	
5.	
4.	
3.	
2.	
1.	
REVISIONS:	

JOB NAME:  
 PRIVATE RESIDENCE  
 HOUSTON, TX

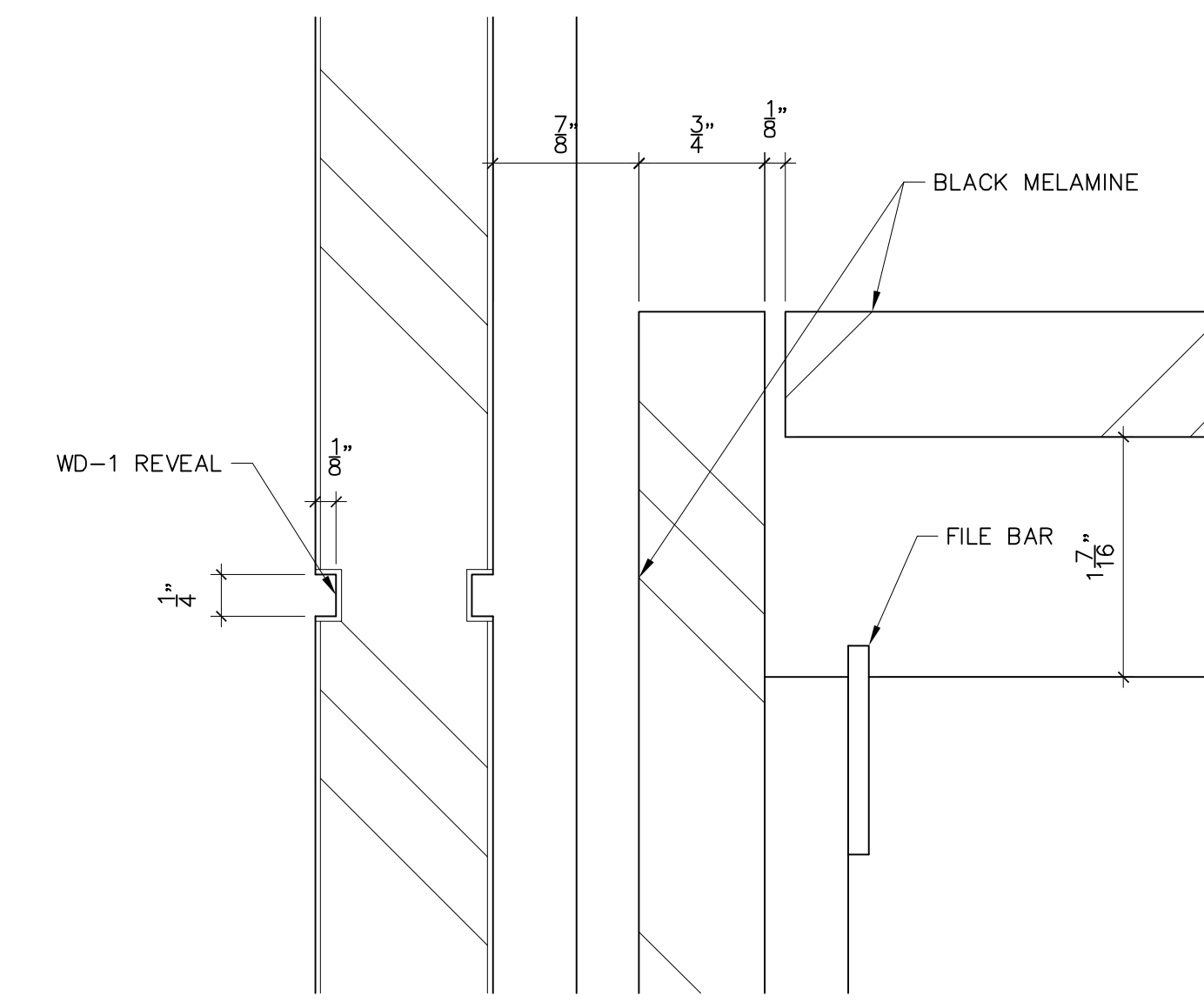
DRAWING NAME: FAMILY RM/DINING RM SECTIONS & DETAILS	
DRAWN BY:	DRAWING DATE: 02/23/05
JOB NO.	DRAWING NO. 1-1.5



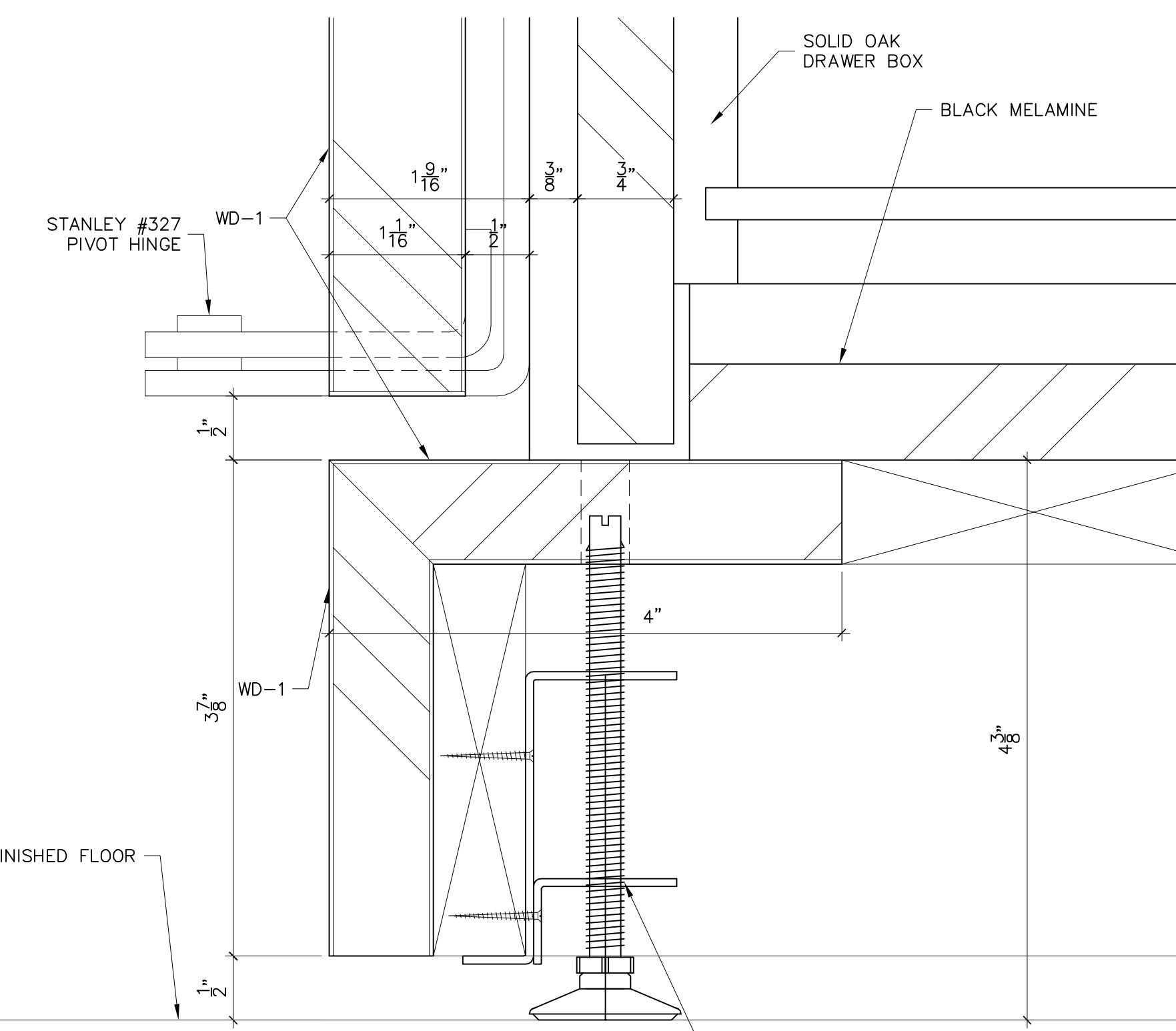
**D** DETAIL  
1-1.6 SCALE: FULL  
ARCH. REF: NA



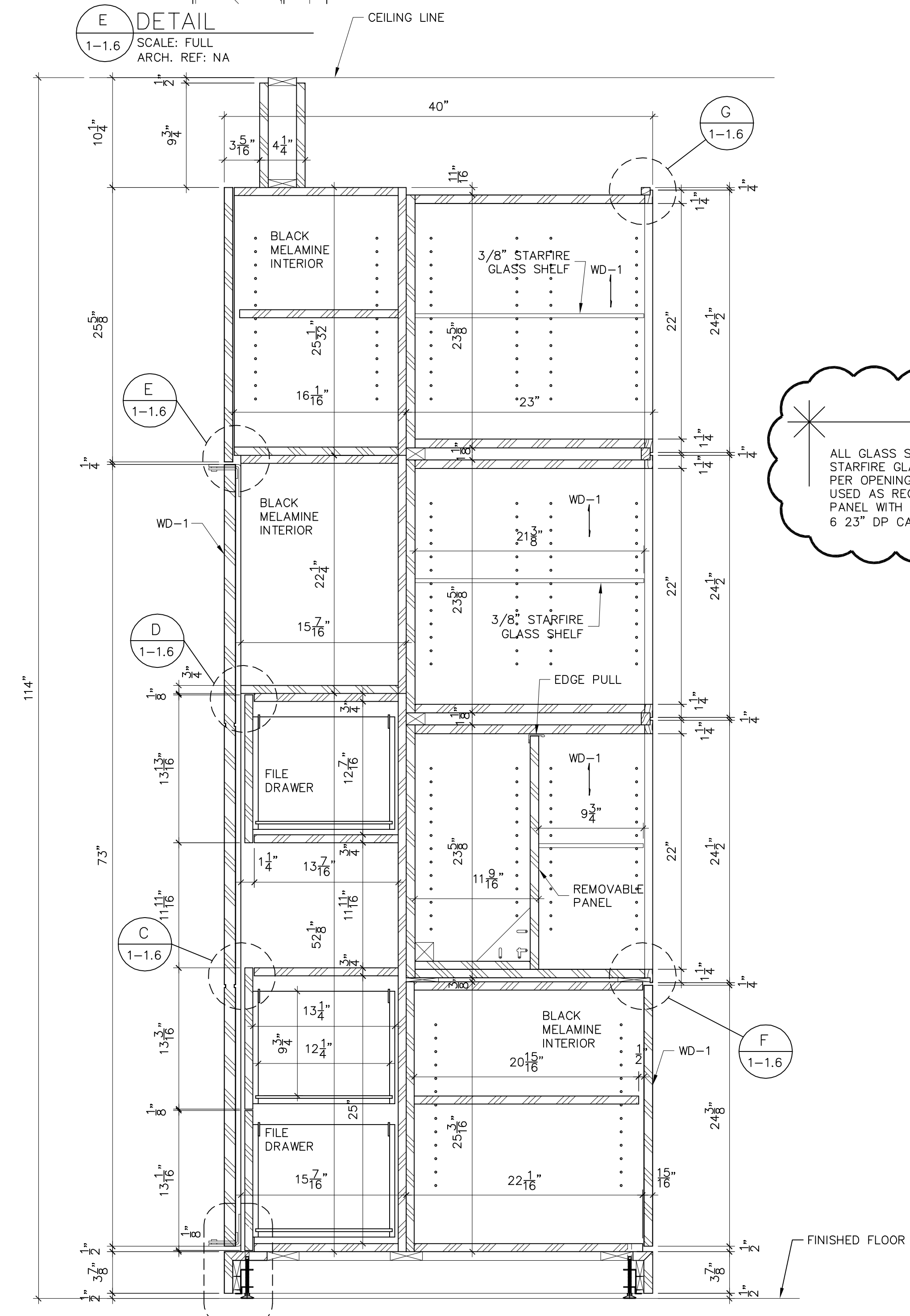
**E** DETAIL  
1-1.6 SCALE: FULL  
ARCH. REF: NA



**C** DETAIL  
1-1.6 SCALE: FULL  
ARCH. REF: NA

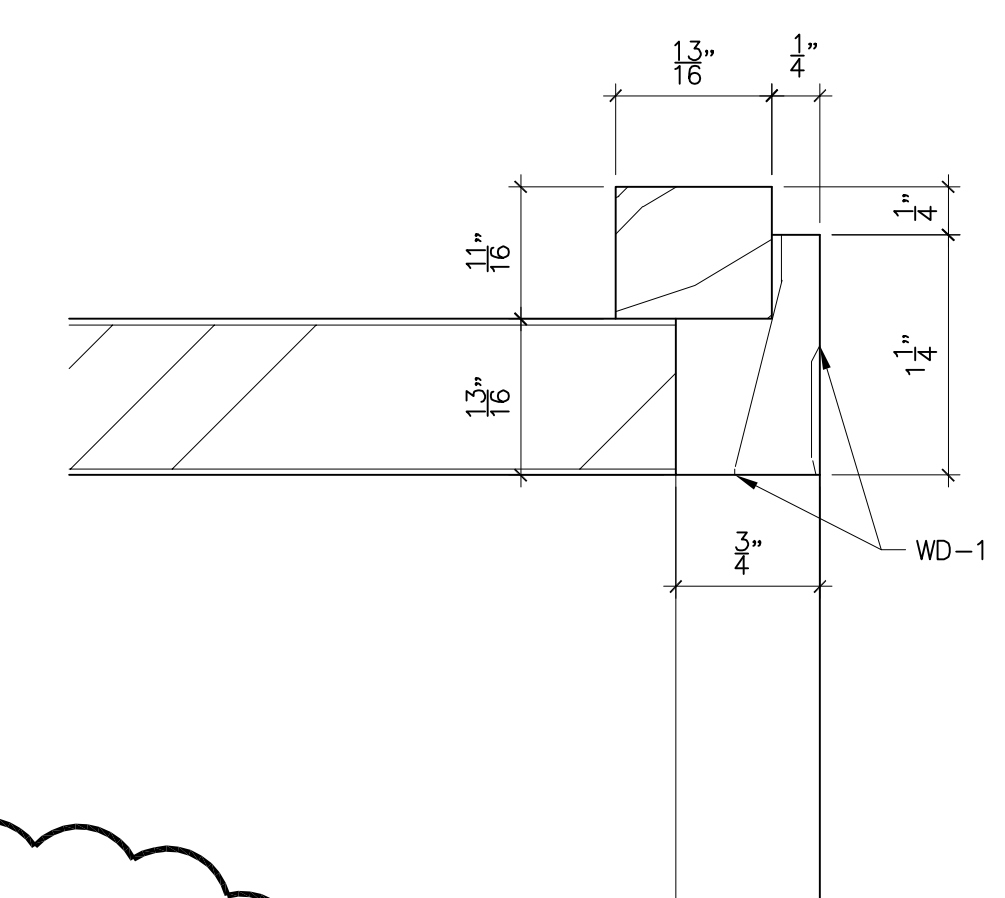


**B** DETAIL AT BASE  
1-1.6 SCALE: FULL  
ARCH. REF: NA

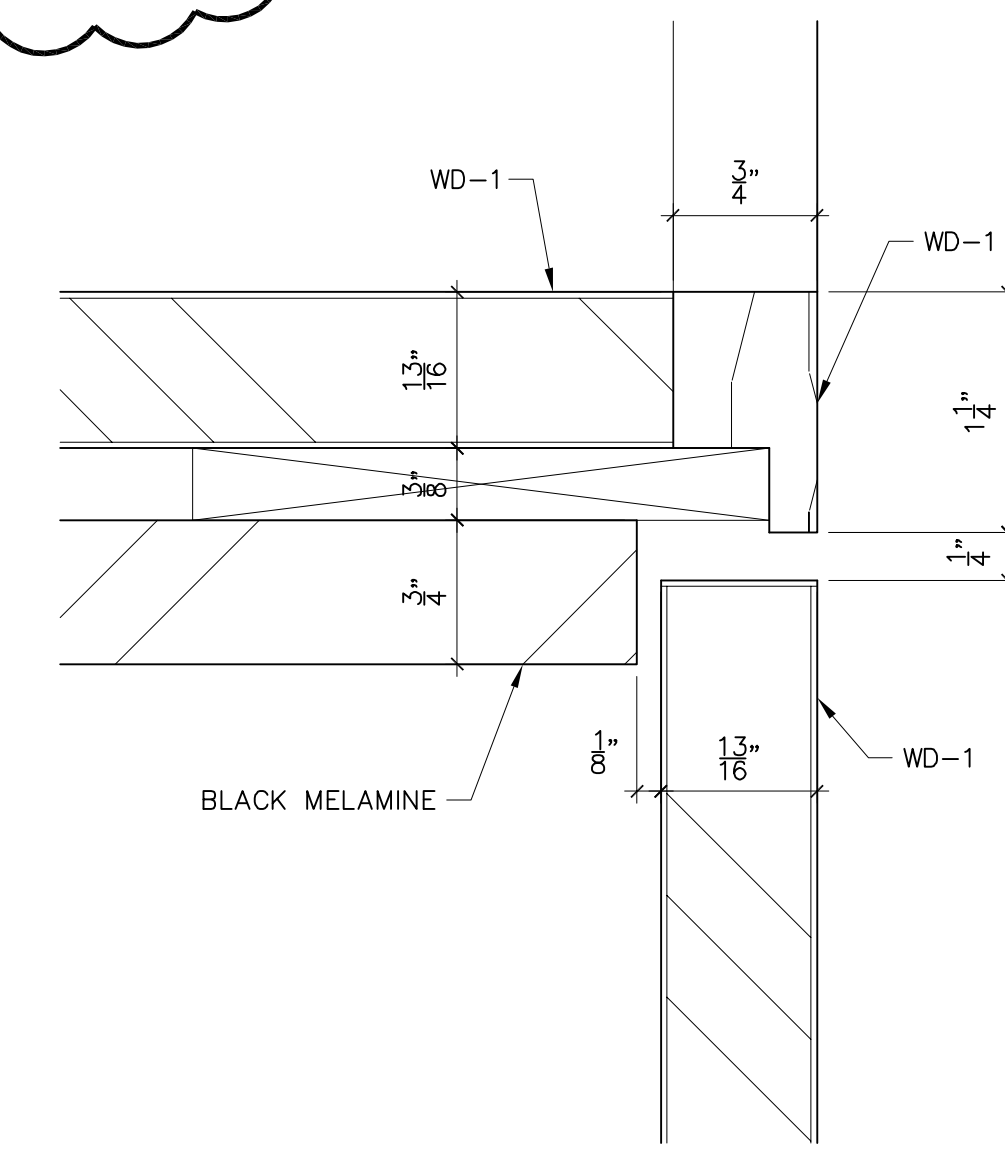


**A** VERTICAL SECTION  
1-1.6 SCALE: 1-1/2" = 1'-0"  
ARCH. REF: DRF.5A

ALL GLASS SHELVES TO BE 3/8" STARFIRE GLASS. PROVIDE 2 SHELVES PER OPENING IN BOTH SIZES TO BE USED AS REQUIRED. PROVIDE 1 REMOVABLE PANEL WITH EDGE PULL AT EACH OF THE 6 23" DP CABINETS.



**G** DETAIL  
1-1.6 SCALE: FULL  
ARCH. REF: NA



**F** DETAIL  
1-1.6 SCALE: FULL  
ARCH. REF: NA

NOTES:

DOUBLE CHECK BY:	DATE:
FIELD LAYOUT BY:	DATE:
7.	
6.	
5.	
4.	
3.	
2.	
1.	
REVISIONS:	

JOB NAME:  
PRIVATE RESIDENCE  
HOUSTON, TX

DRAWING NAME:  
FAMILY RM/DINING RM  
SECTIONS & DETAILS

DRAWN BY:	DRAWING DATE: 02/23/05
JOB NO.	DRAWING NO. 1-1.6





