

A
5-4.1
ELEVATION OF WINDOW WALL AT STAIR NORTH
SCALE: 3/4" = 1'-0"
ARCH. REF: 1/A11.02

NOTES:

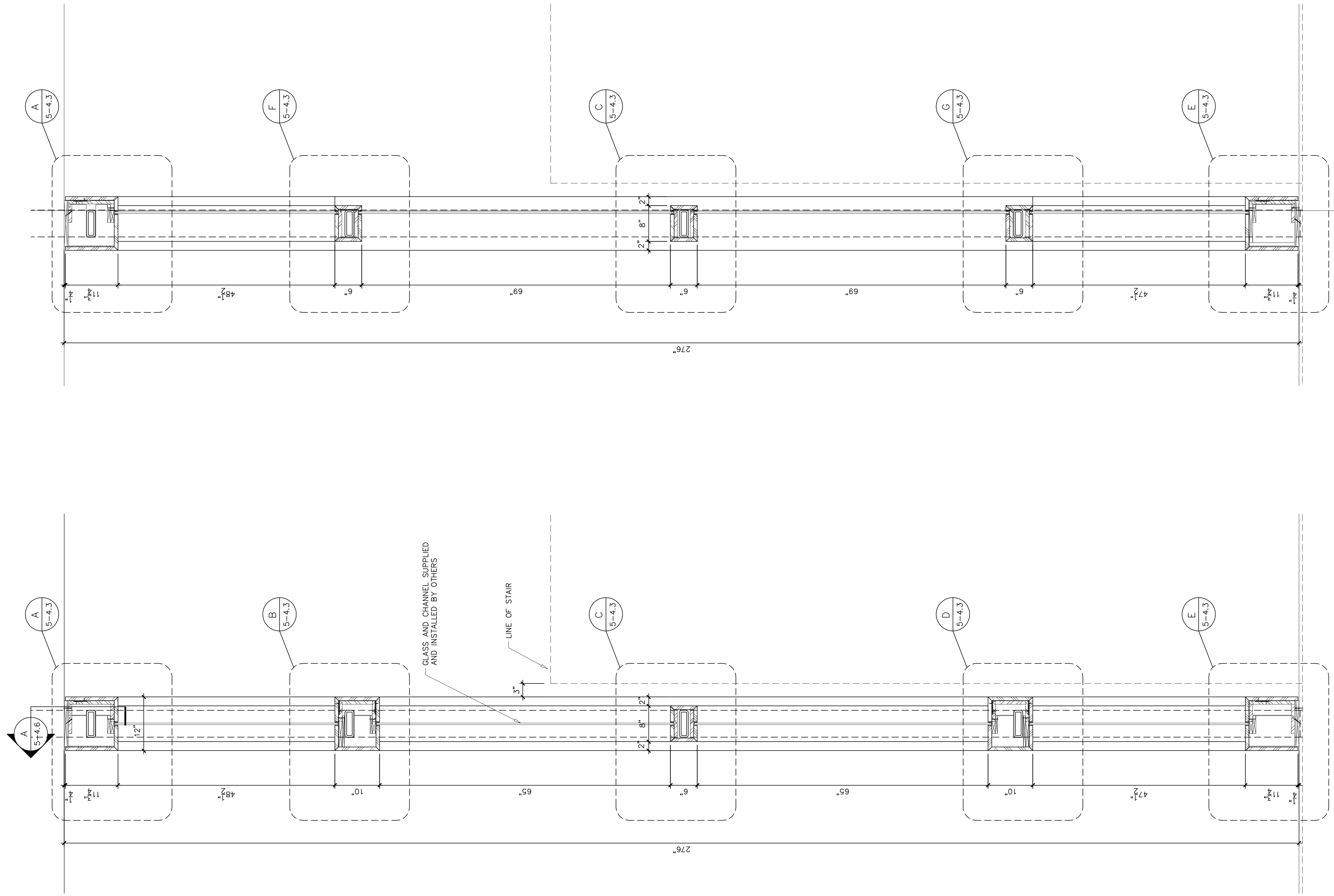
FINISHES:

WD-1: BLOCK MOTTLED MAKORE
WD-2: QUARTER SAPELE, RIBBON STRIPE

DOUBLE CHECK BY:	DATE:
FIELD LAYOUT BY:	DATE:
7.	
6.	
5.	
4.	
3.	
2.	
1.	
REVISIONS:	

JOB NAME:
CORPORATE OFFICE
PALO ALTO, CA

DRAWING NAME:
ELEVATION OF WINDOW
WALL AT STAIR
DRAWN BY: DRAWING DATE:
05/27/03
JOB NO. DRAWING NO.
5-4.1



B VERTICAL SECTION
 5-4.2 SCALE: 1" = 1'-0"
 ARCH. REF: 3, 4, 5, 6/A11.02

A VERTICAL SECTION
 5-4.2 SCALE: 1" = 1'-0"
 ARCH. REF: 3, 4, 5, 6/A11.02

--	--

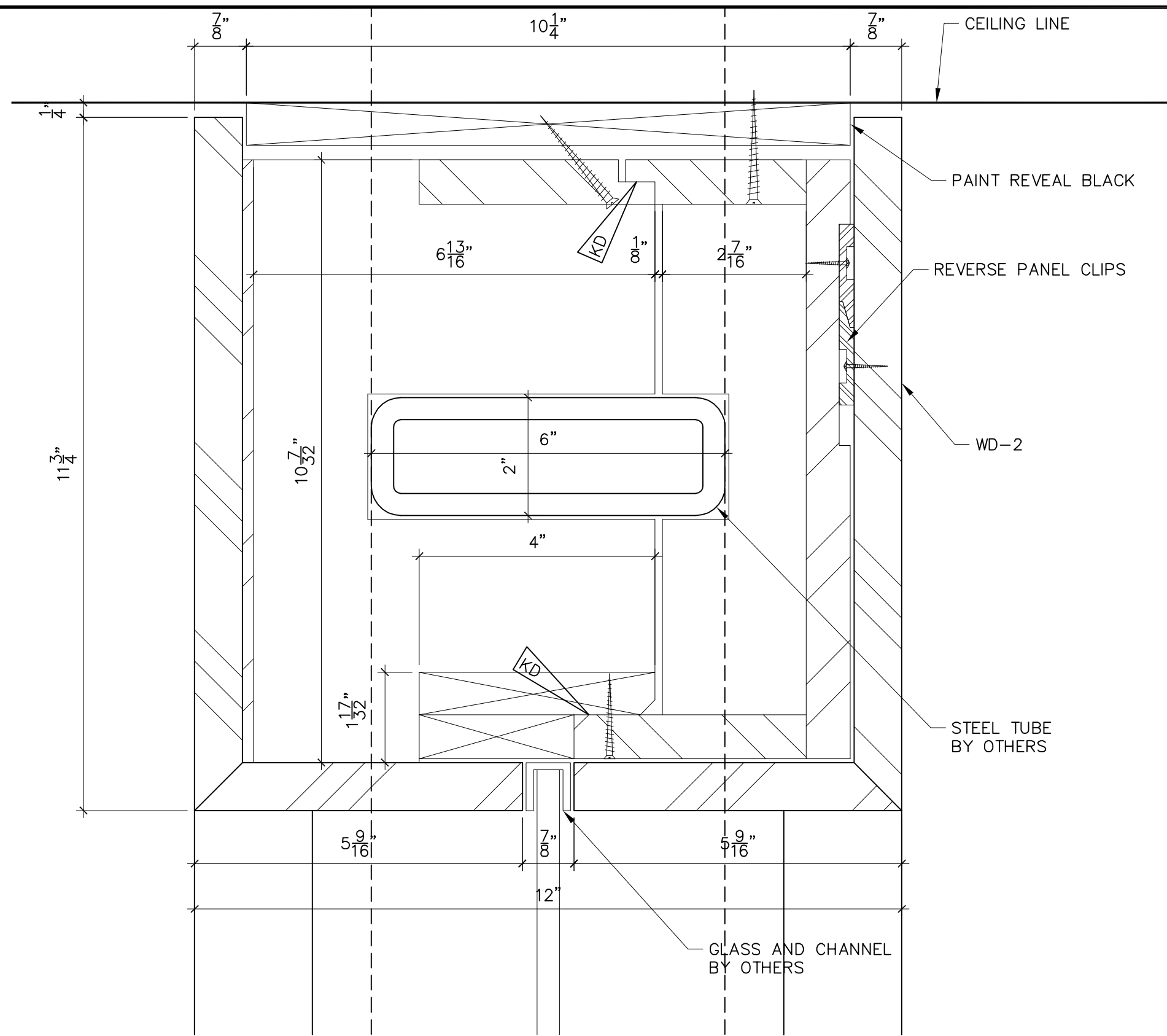
NOTES:

DOUBLE CHECK BY:	DATE:
FIELD LAYOUT BY:	DATE:
7.	
6.	
5.	
4.	
3.	
2.	
1.	
REVISIONS:	

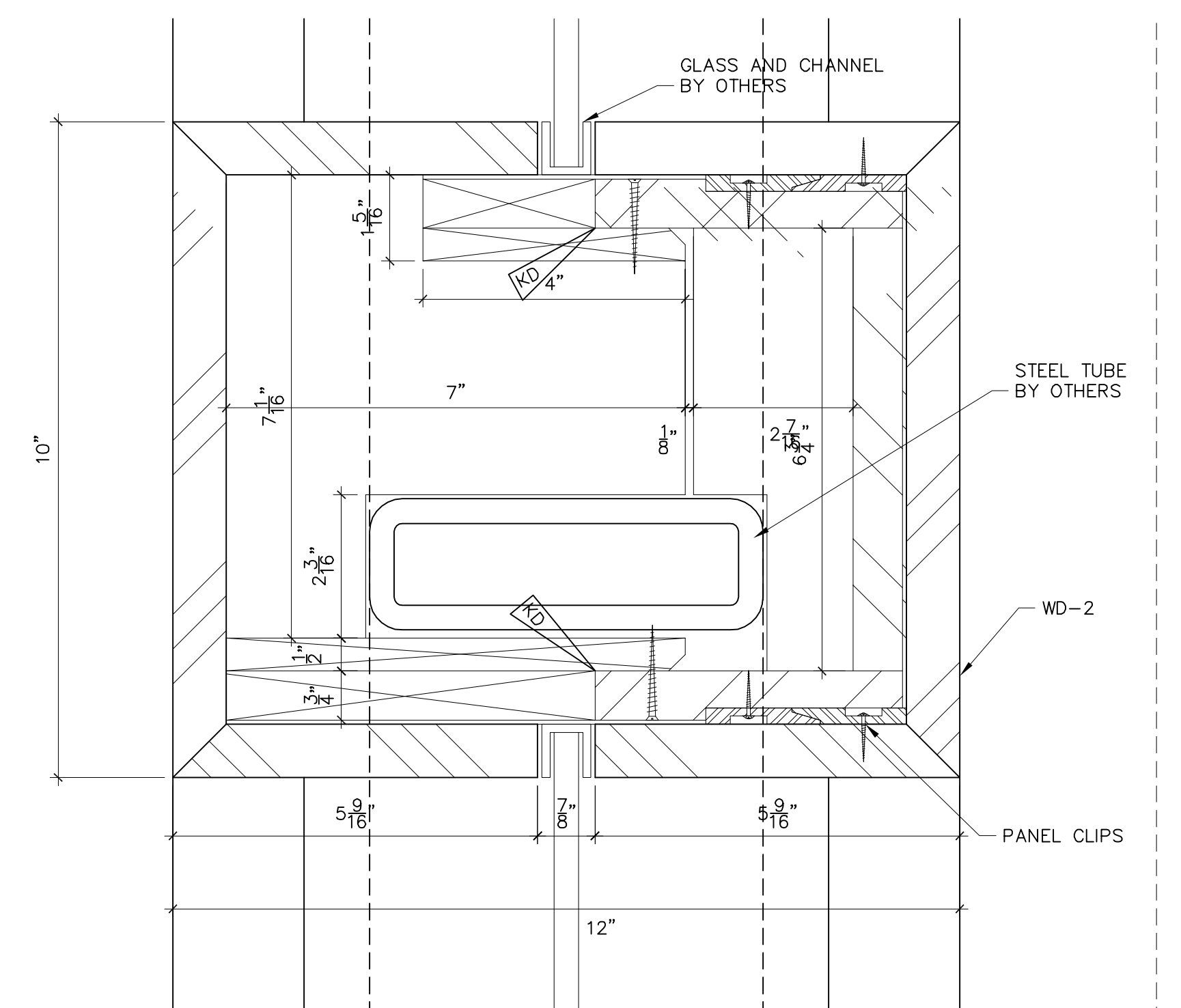
JOB NAME:
CORPORATE OFFICE
 PALO ALTO, CA

DRAWING NAME:
VERTICAL SECTIONS AND DETAILS

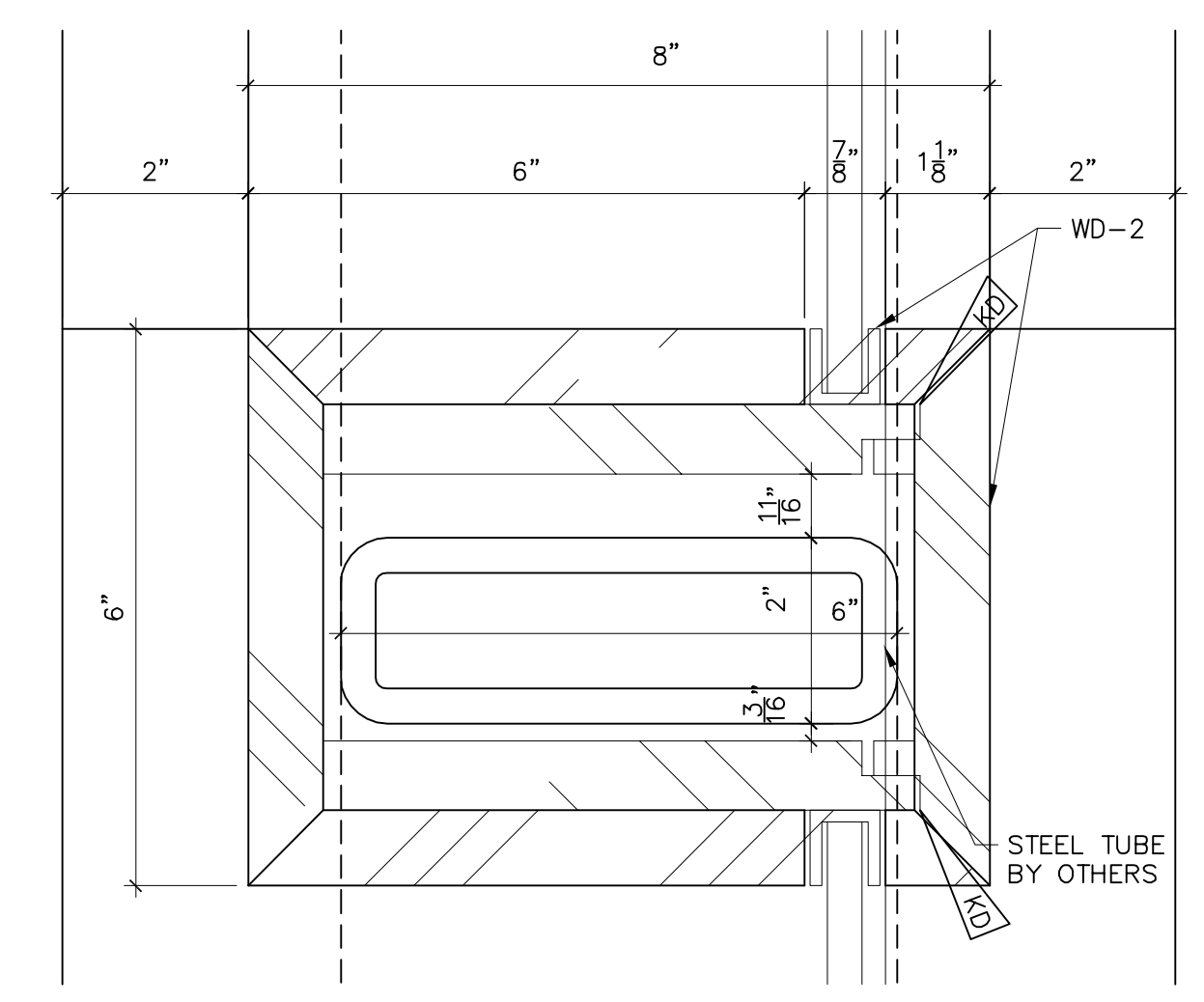
DRAWN BY:	DRAWING DATE: 05/27/03
JOB NO.	DRAWING NO. 5-4.2



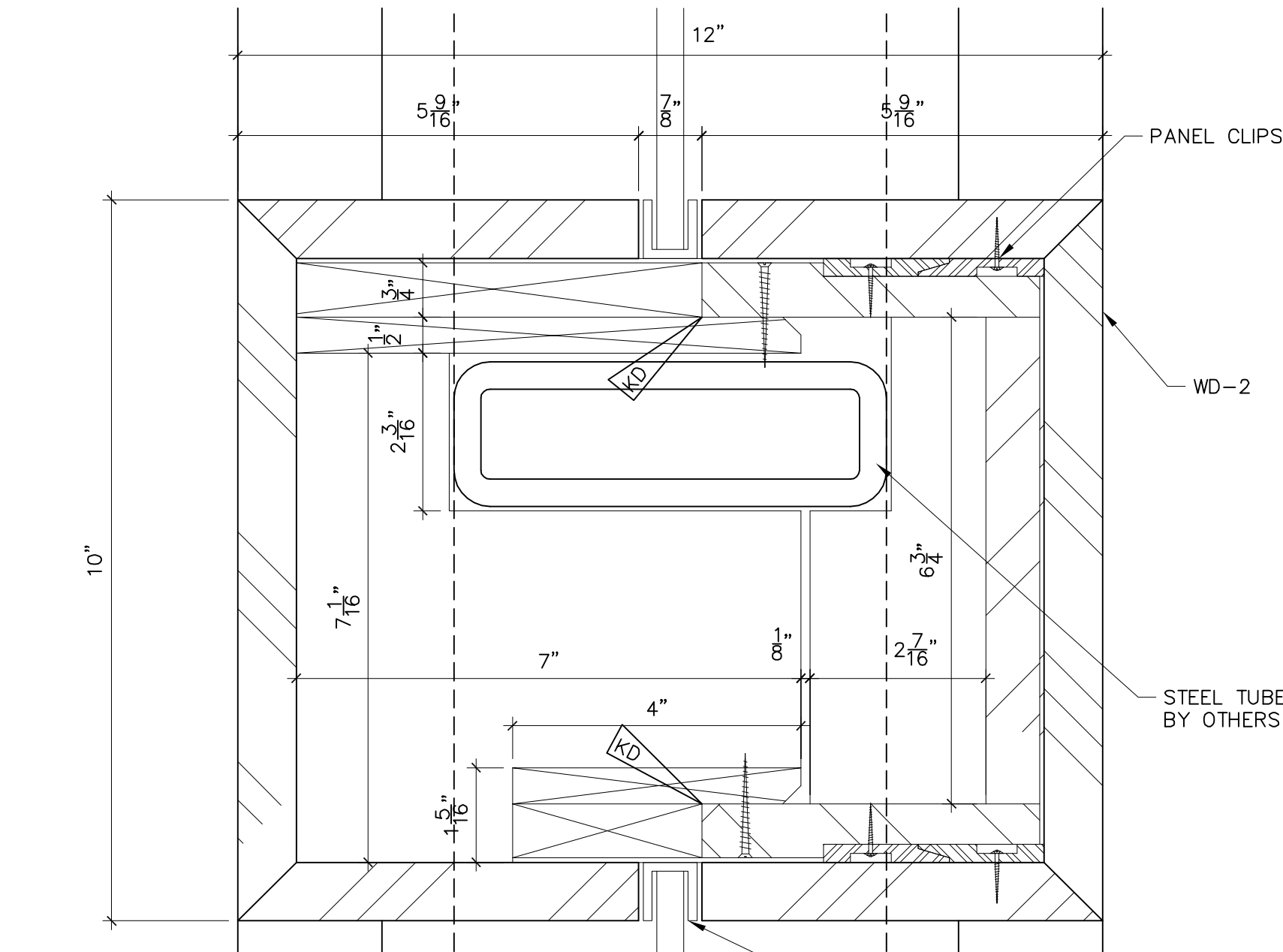
A DETAIL AT HEAD
 5-4.3 SCALE: HALF FULL
 ARCH. REF: 6/A11.02



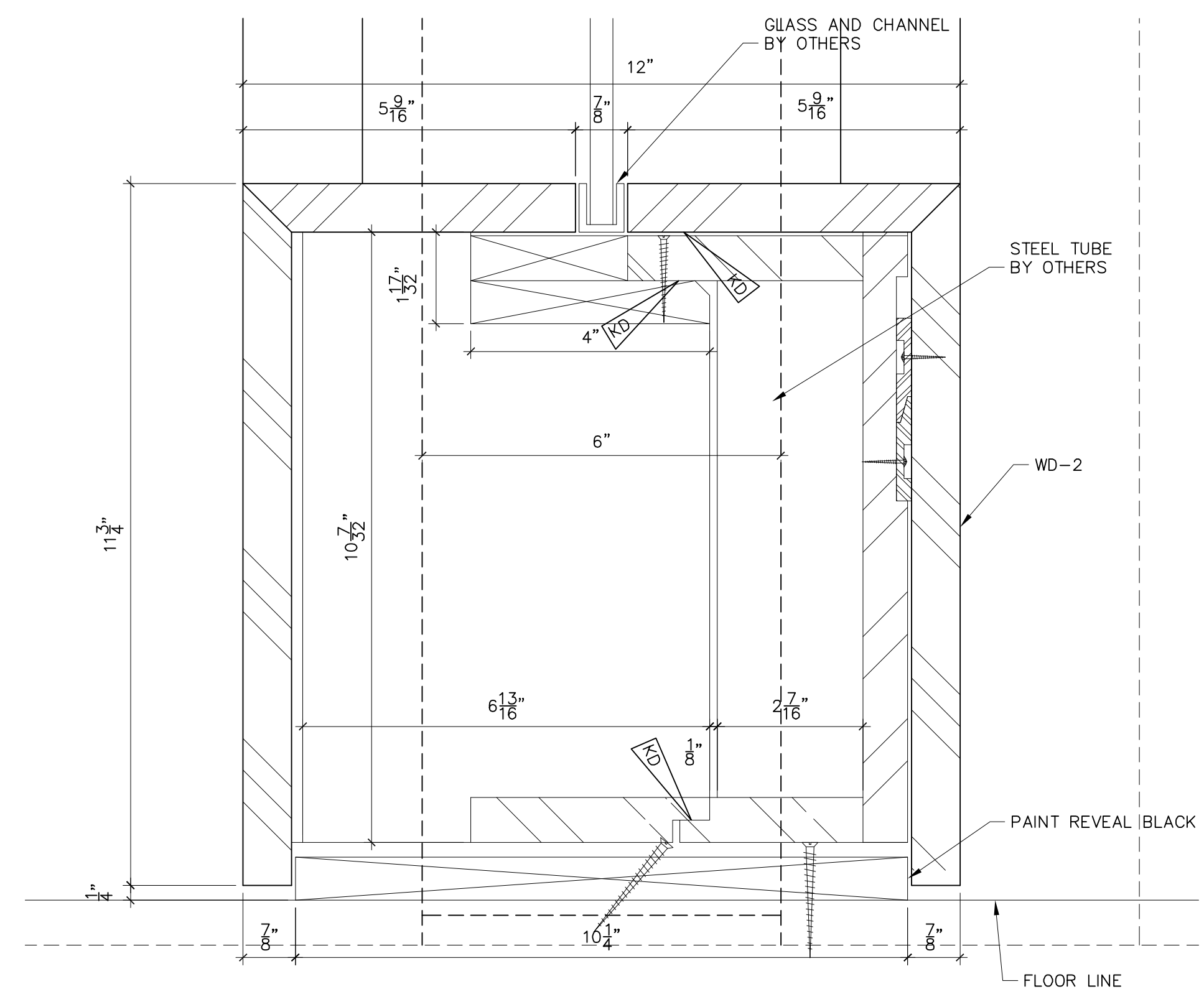
D HORIZONTAL DETAIL AT INSIDE LOWER FRAME
 5-4.3 SCALE: HALF FULL
 ARCH. REF: 5/A11.02



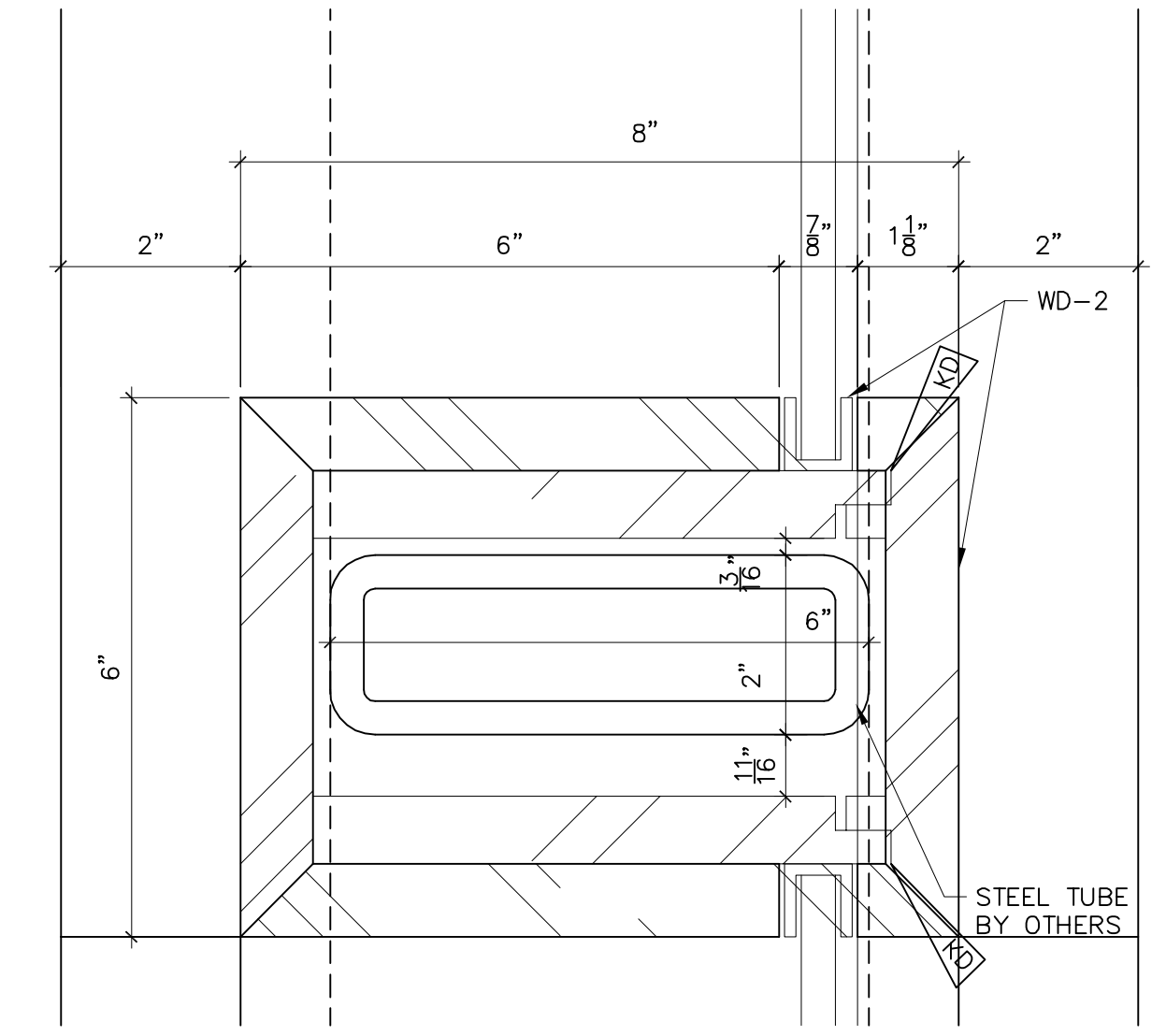
F HORIZONTAL DETAIL AT INTERIOR UPPER FRAME
 5-4.3 SCALE: HALF FULL
 ARCH. REF: 4/A11.02



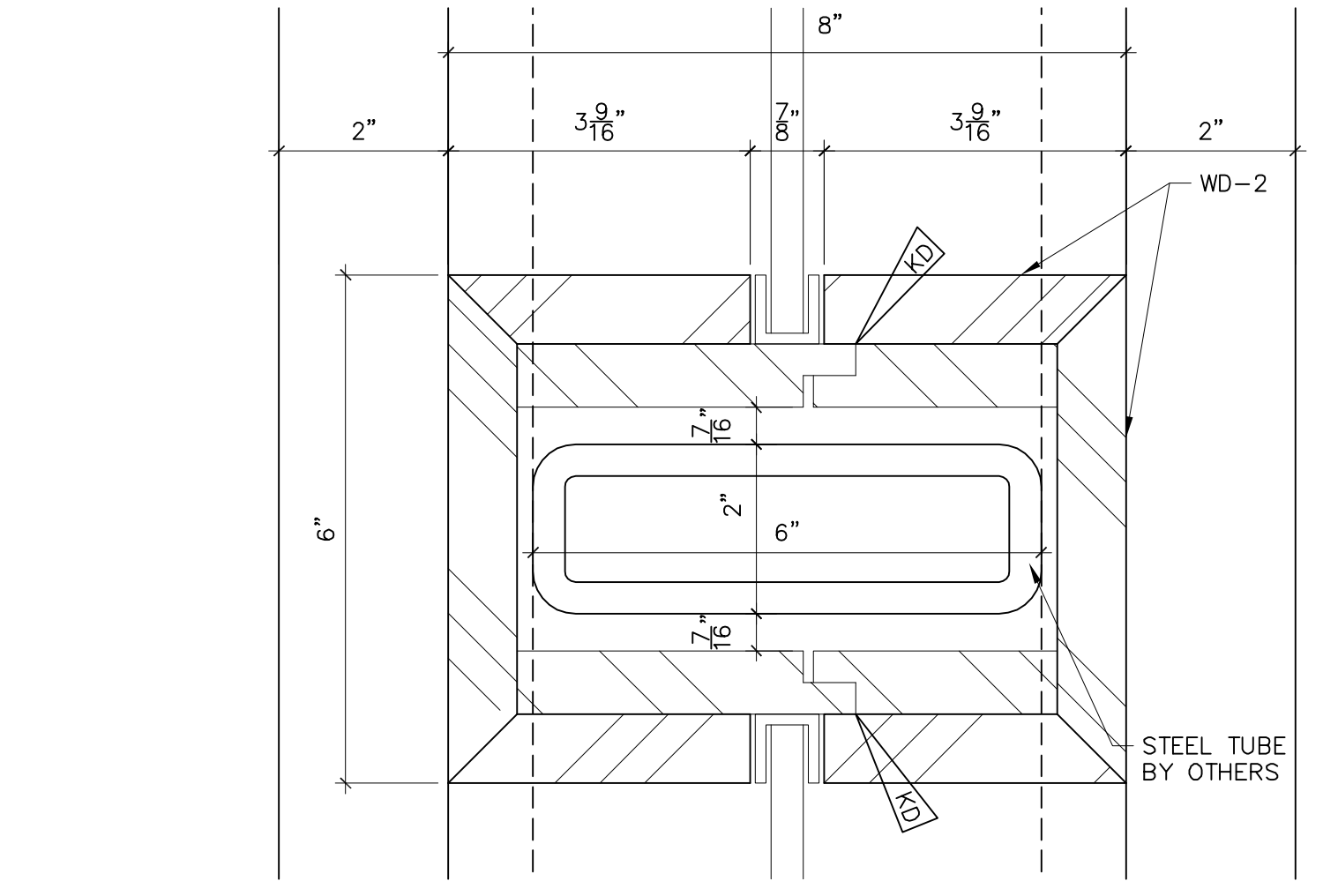
B HORIZONTAL DETAIL AT INSIDE UPPER FRAME
 5-4.3 SCALE: HALF FULL
 ARCH. REF: 5/A11.02



E DETAIL AT FLOOR
 5-4.3 SCALE: HALF FULL
 ARCH. REF: 3/A11.02



G HORIZONTAL DETAIL AT INTERIOR LOWER FRAME
 5-4.3 SCALE: HALF FULL
 ARCH. REF: 4/A11.02



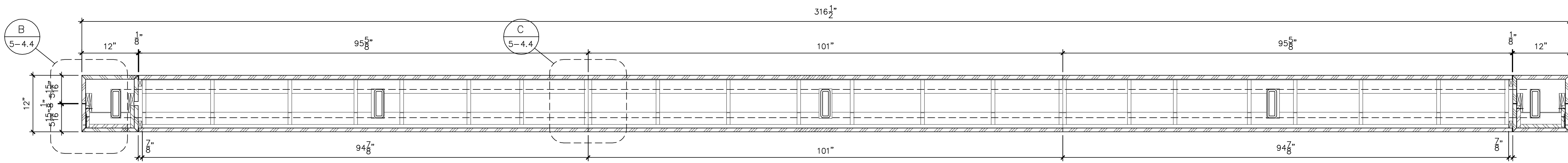
C HORIZONTAL DETAIL AT INTERIOR CENTER FRAME
 5-4.3 SCALE: HALF FULL
 ARCH. REF: 4/A11.02

NOTES:

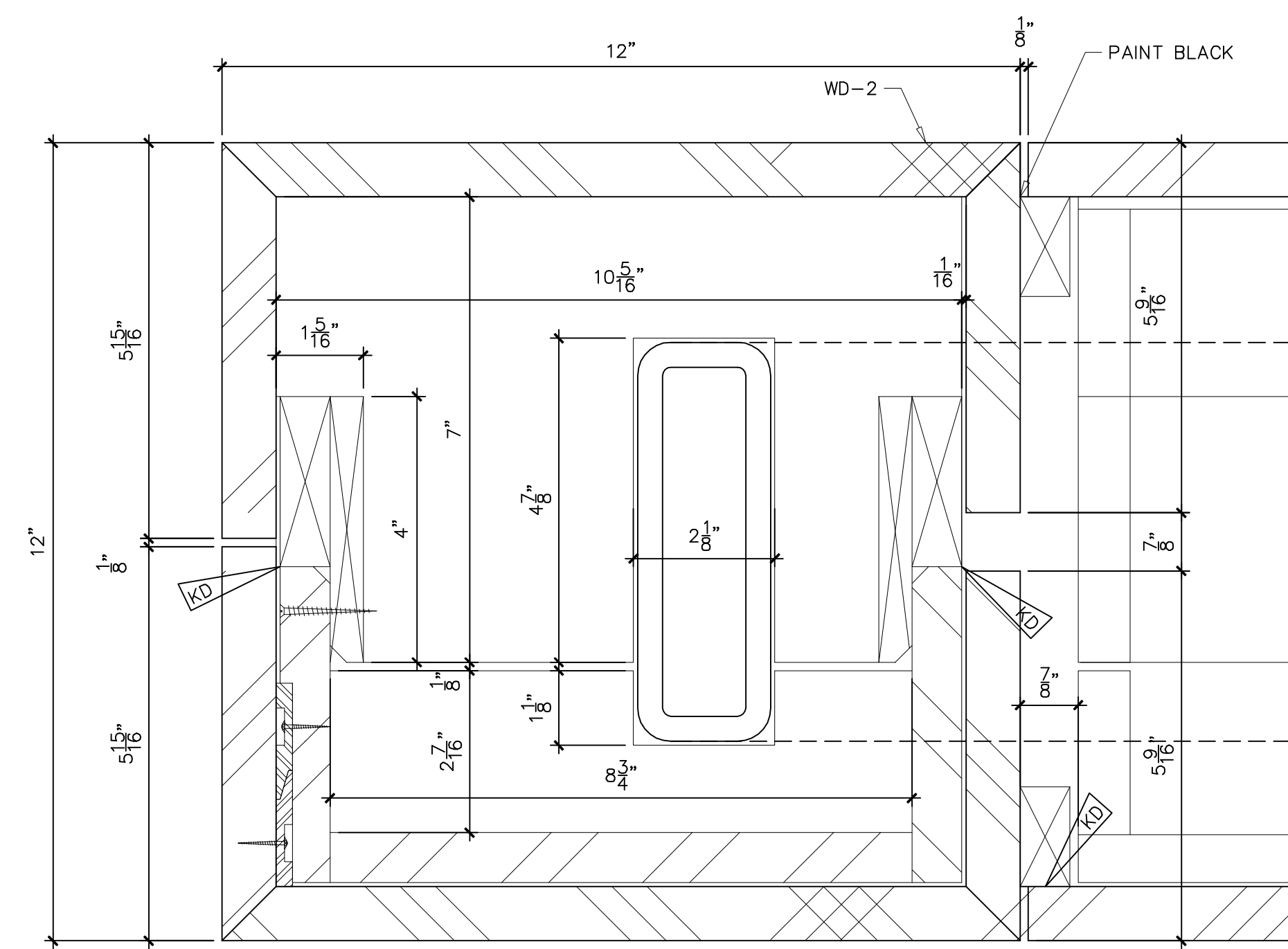
DOUBLE CHECK BY:	DATE:
FIELD LAYOUT BY:	DATE:
7.	
6.	
5.	
4.	
3.	
2.	
1.	
REVISIONS:	

JOB NAME:
 CORPORATE OFFICE
 PALO ALTO, CA

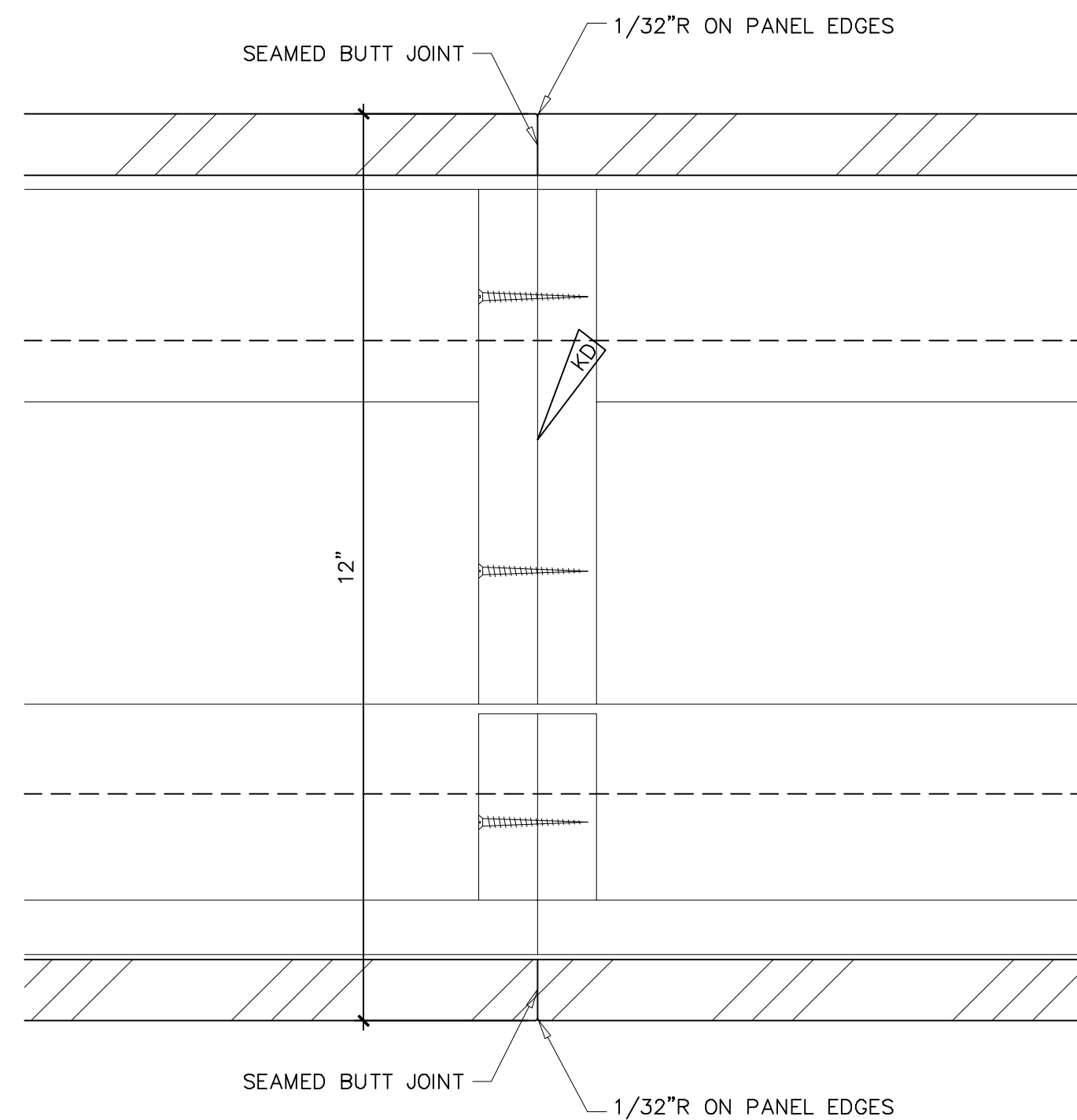
DRAWING NAME:
 LARGE SCALE WINDOW
 WALL DETAILS
 DRAWN BY: DRAWING DATE:
 05/28/03
 JOB NO. DRAWING NO.
 5-4.3



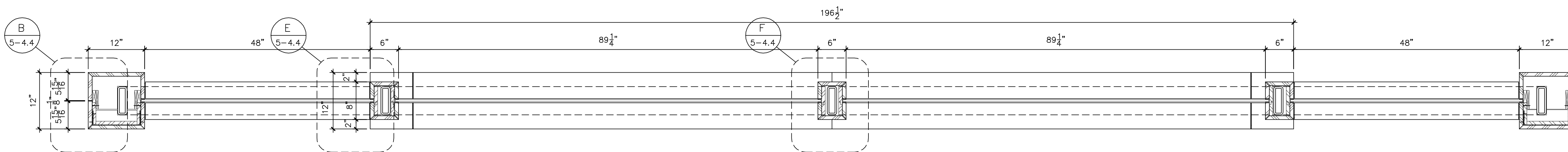
A HORIZONTAL SECTION
 5-4.4 SCALE: 1" = 1'-0"
 ARCH. REF:



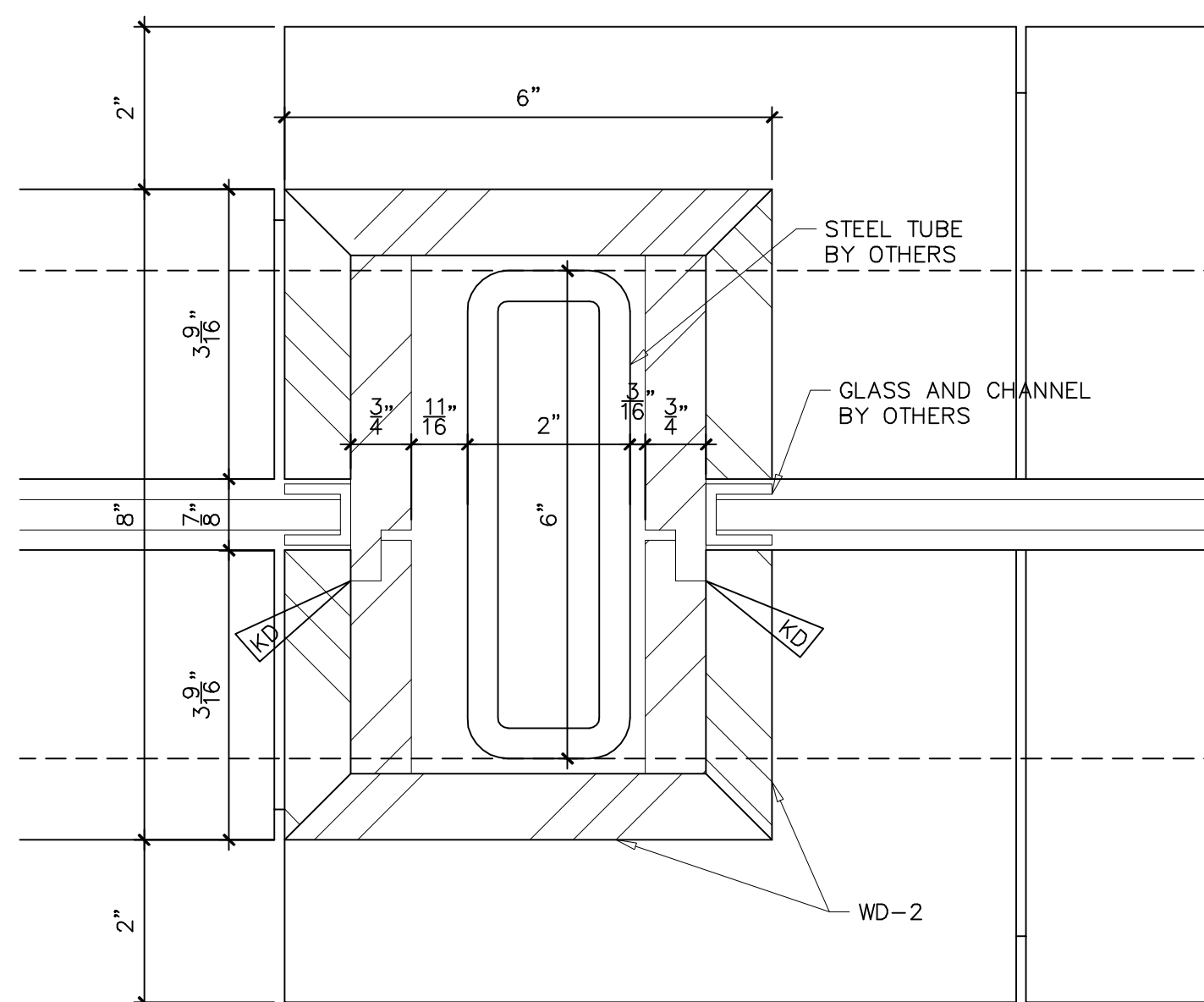
B DETAIL
 5-4.4 SCALE: HALF FULL
 ARCH. REF:



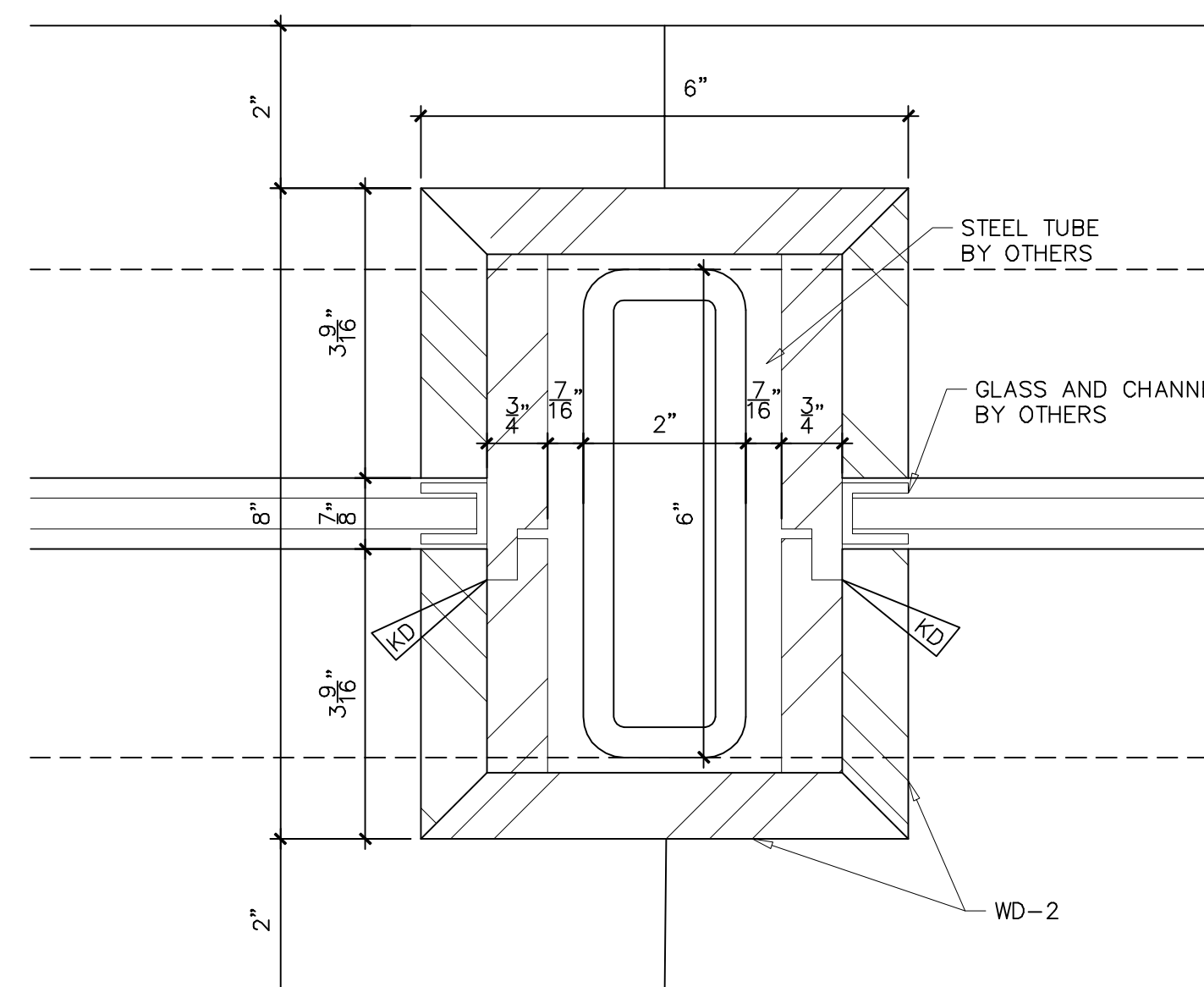
C DETAIL
 5-4.4 SCALE: HALF FULL
 ARCH. REF:



D HORIZONTAL SECTION
 5-4.4 SCALE: 1" = 1'-0"
 ARCH. REF:



E DETAIL
 5-4.4 SCALE: HALF FULL
 ARCH. REF:



F DETAIL
 5-4.4 SCALE: HALF FULL
 ARCH. REF:

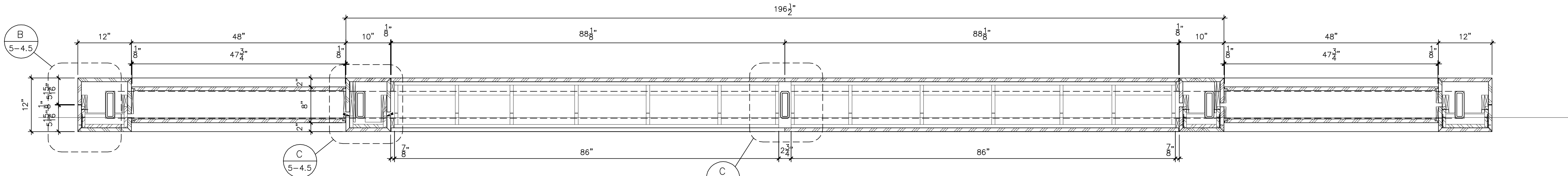
NOTES:

DOUBLE CHECK BY:	DATE:
FIELD LAYOUT BY:	DATE:
7.	
6.	
5.	
4.	
3.	
2.	
1.	
REVISIONS:	

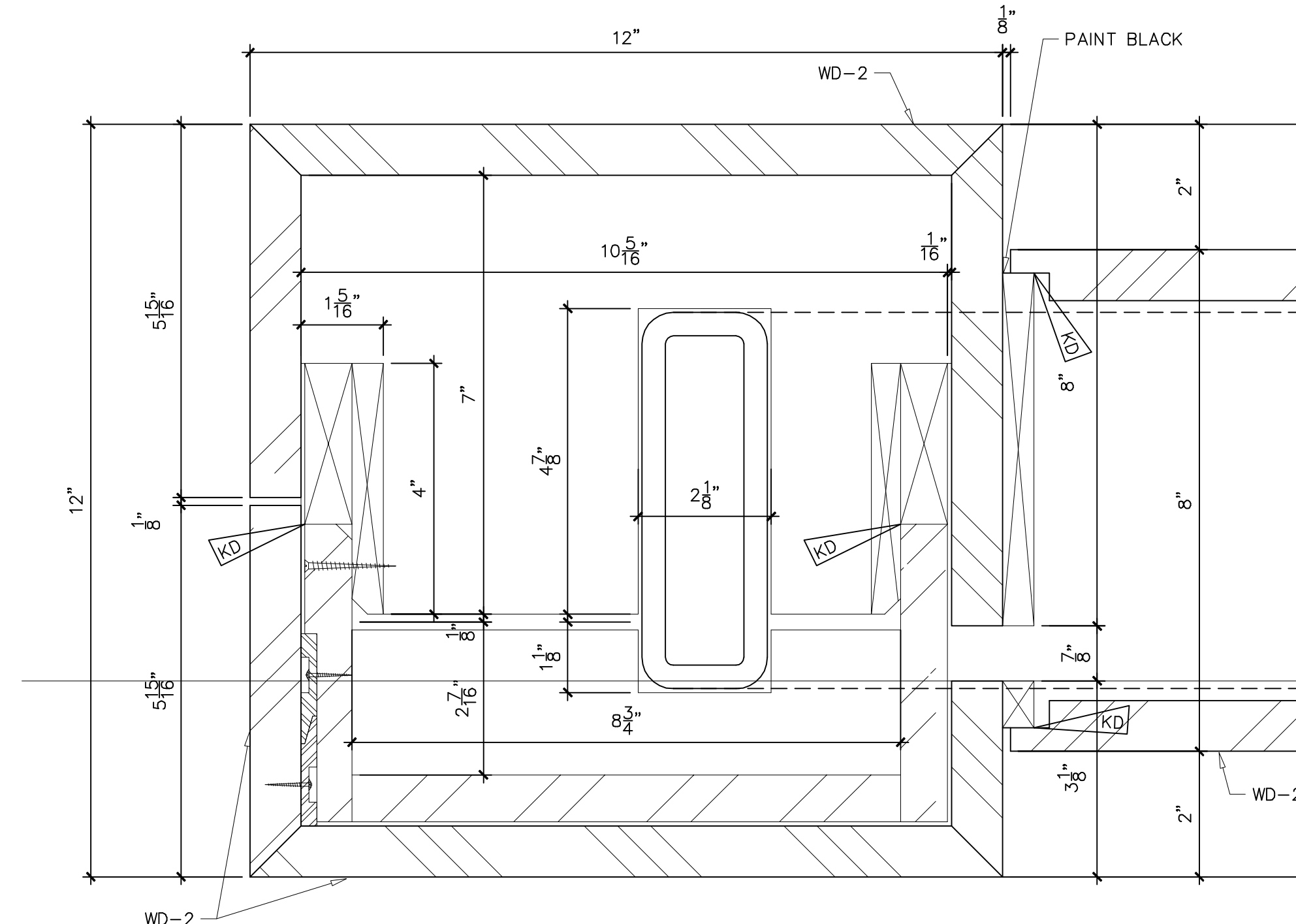
JOB NAME:
 CORPORATE OFFICE
 PALO ALTO, CA

DRAWING NAME:
 HORIZONTAL SECTIONS
 OF WINDOW WALL

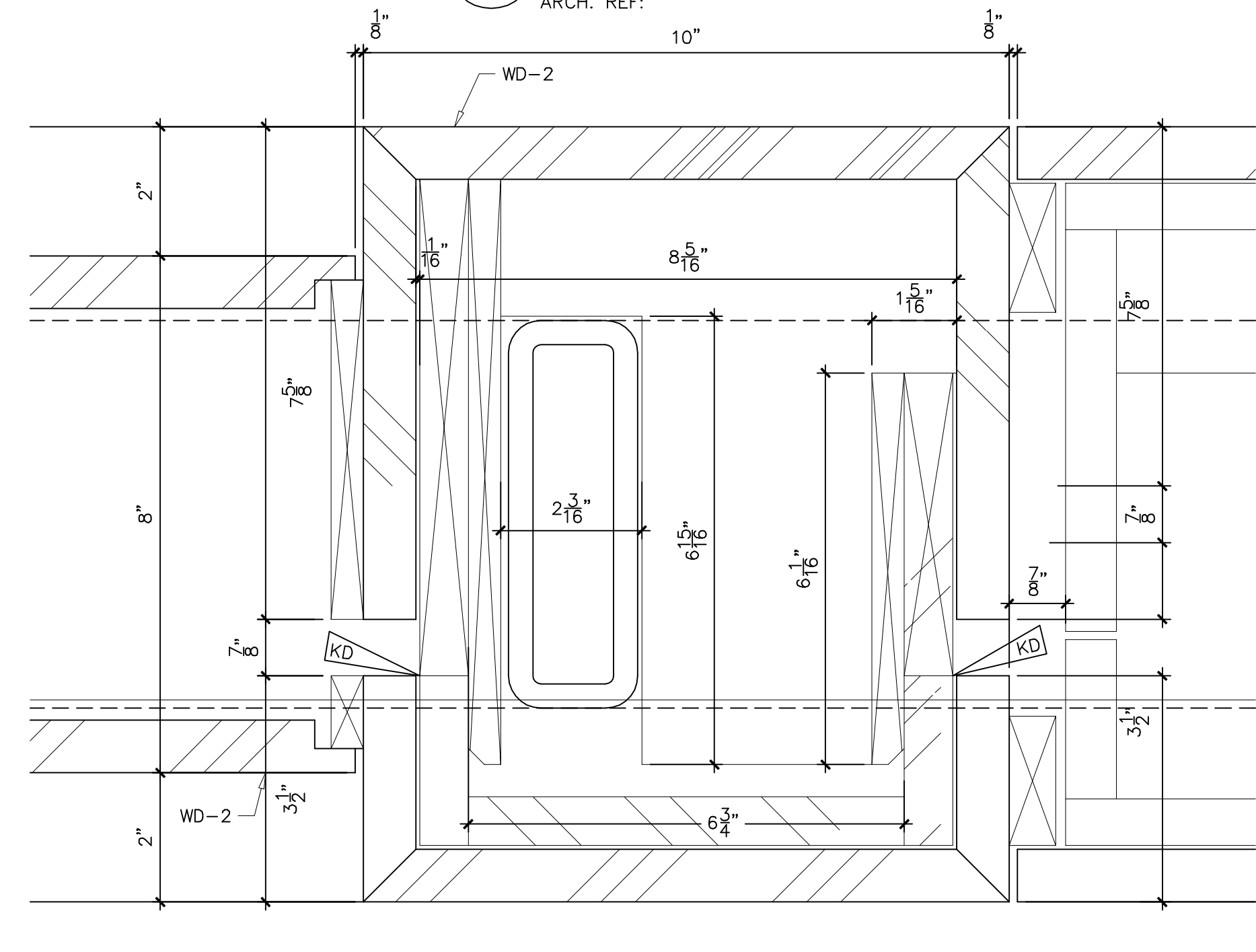
DRAWN BY:	DRAWING DATE: 05/28/03
JOB NO.	DRAWING NO. 5-4.4



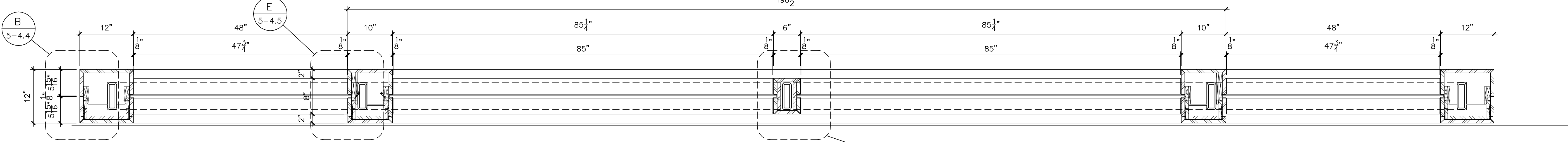
A HORIZONTAL SECTION
 5-4.5 SCALE: 1" = 1'-0"
 ARCH. REF:



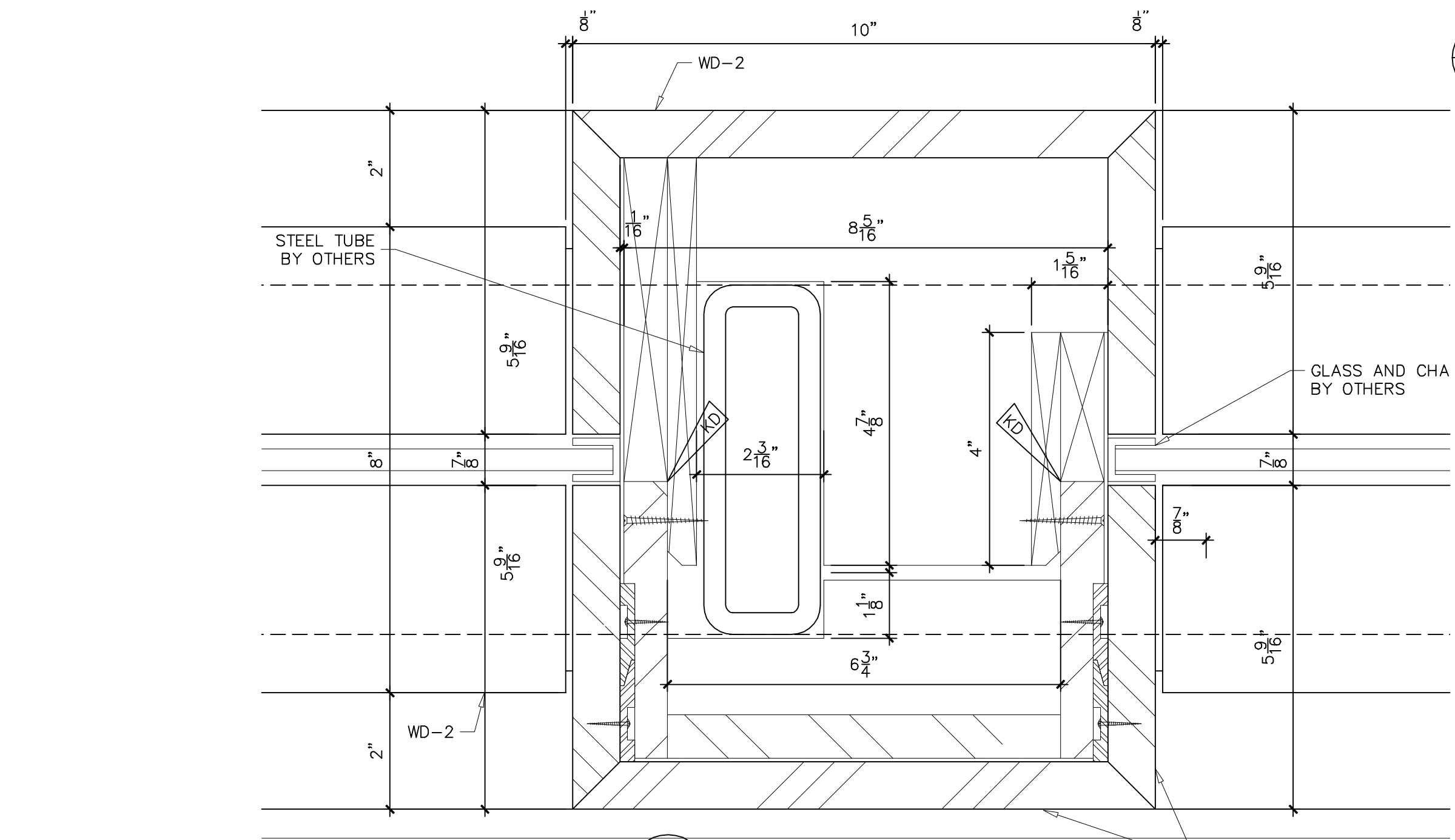
B DETAIL
 5-4.5 SCALE: HALF FULL
 ARCH. REF:



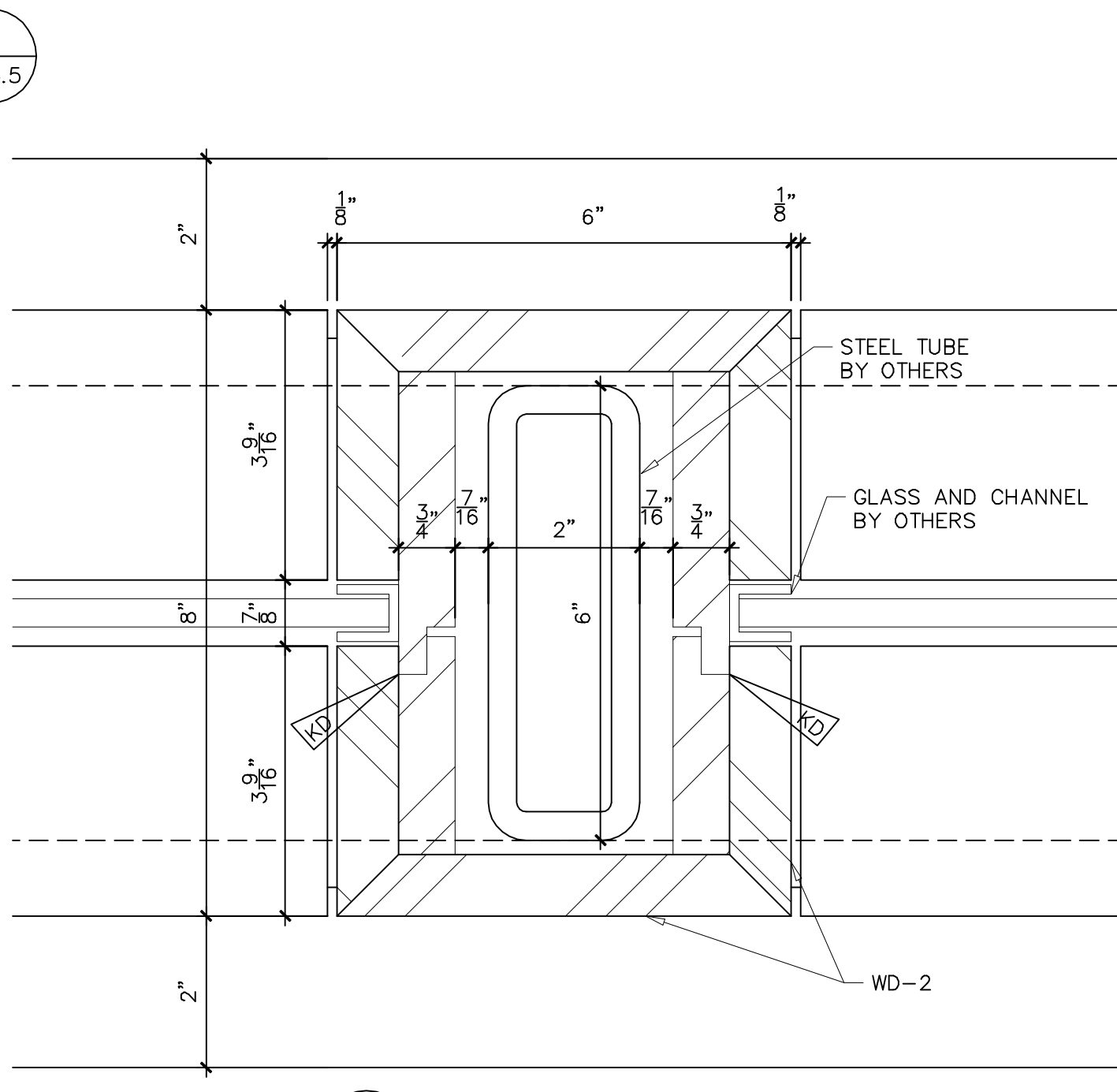
C DETAIL
 5-4.5 SCALE: HALF FULL
 ARCH. REF:



D HORIZONTAL SECTION
 5-4.5 SCALE: 1" = 1'-0"
 ARCH. REF:



E DETAIL
 5-4.5 SCALE: HALF FULL
 ARCH. REF:



F DETAIL
 5-4.5 SCALE: HALF FULL
 ARCH. REF:

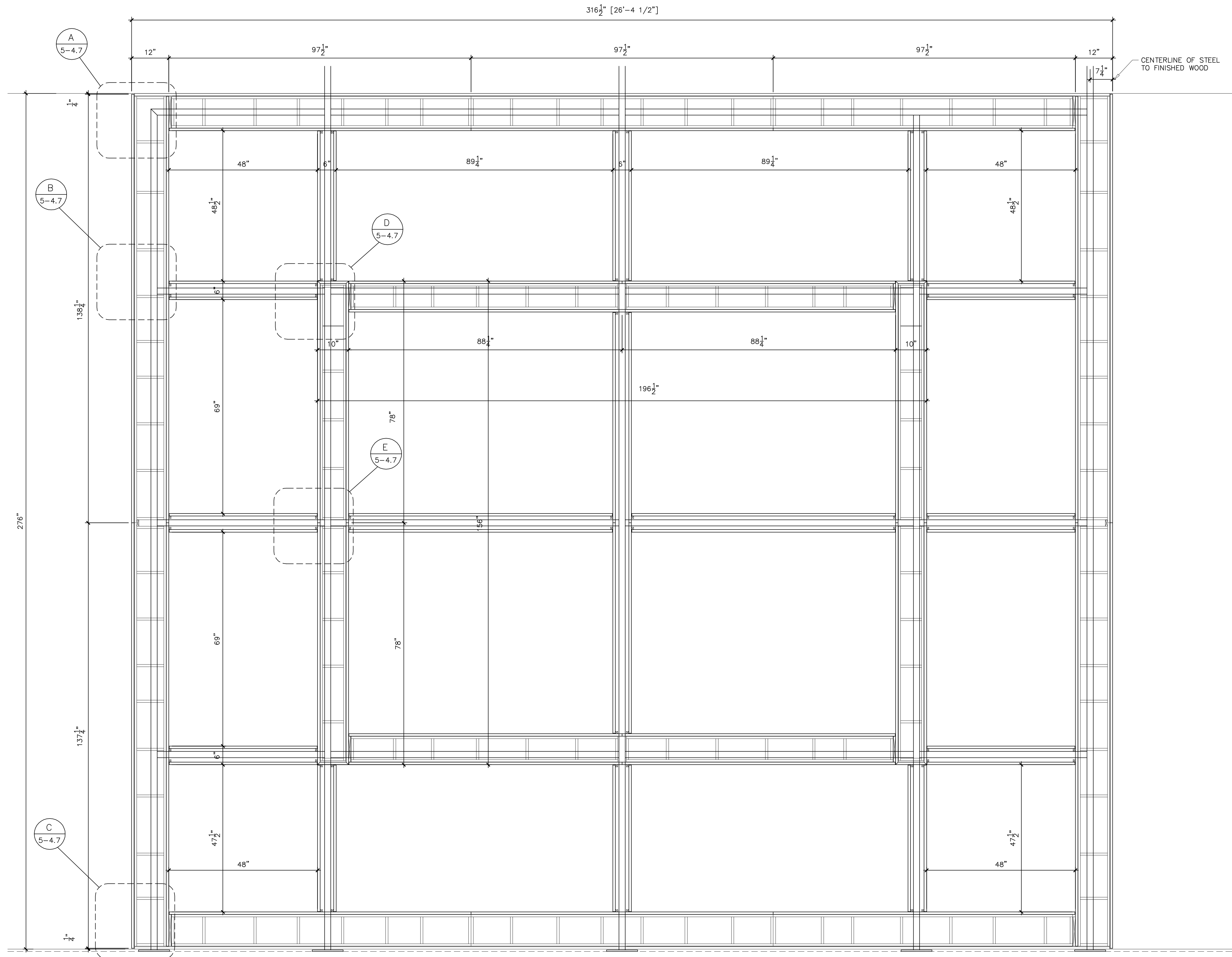
NOTES:

DOUBLE CHECK BY:	DATE:
FIELD LAYOUT BY:	DATE:
7.	
6.	
5.	
4.	
3.	
2.	
1.	
REVISIONS:	

JOB NAME:
CORPORATE OFFICE
 PALO ALTO, CA

DRAWING NAME:
HORIZONTAL SECTIONS
OF WINDOW WALL

DRAWN BY:	DRAWING DATE: 05/28/03
JOB NO.	DRAWING NO. 5-4.5



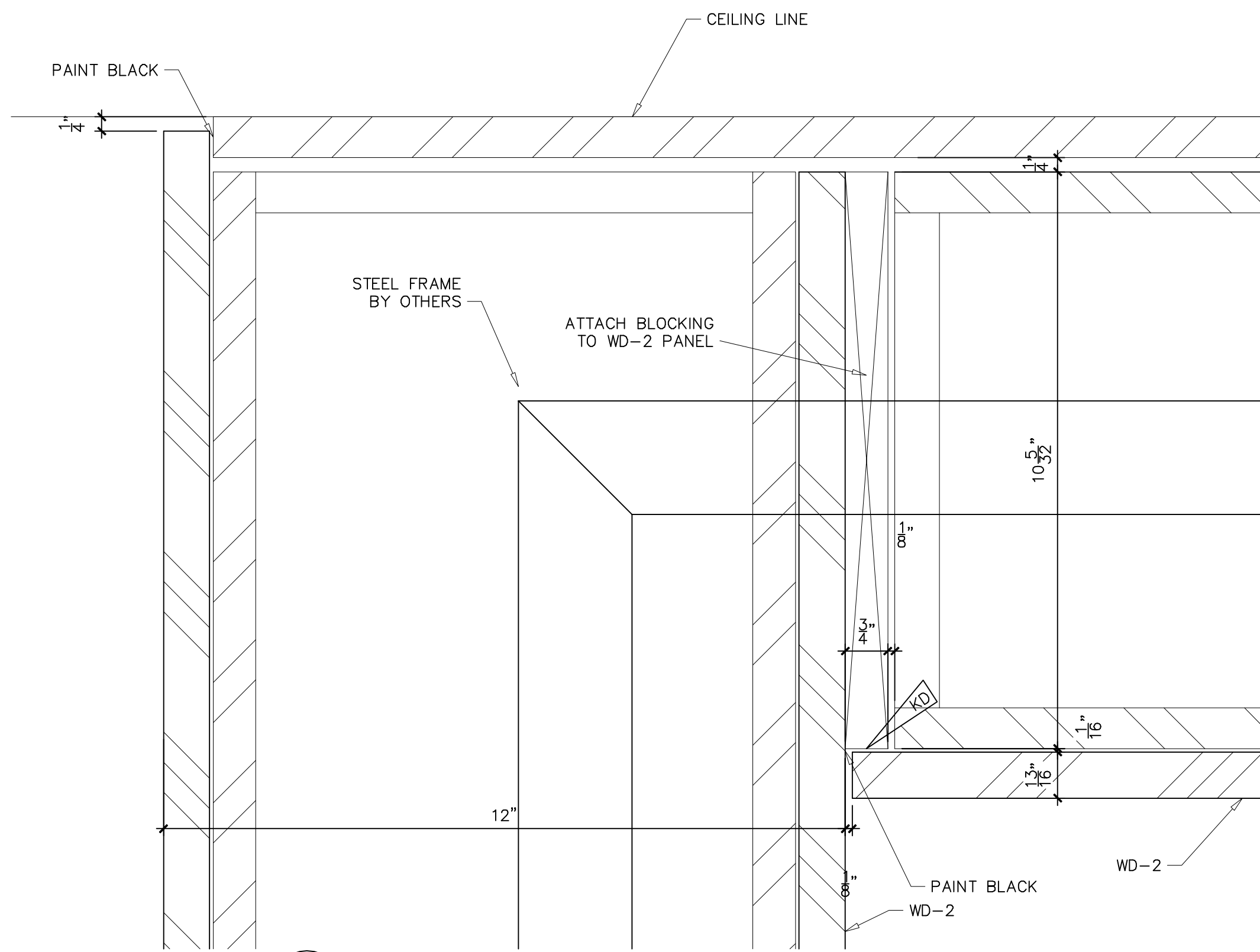
NOTES:

DOUBLE CHECK BY:	DATE:
FIELD LAYOUT BY:	DATE:
7.	
6.	
5.	
4.	
3.	
2.	
1.	
REVISIONS:	

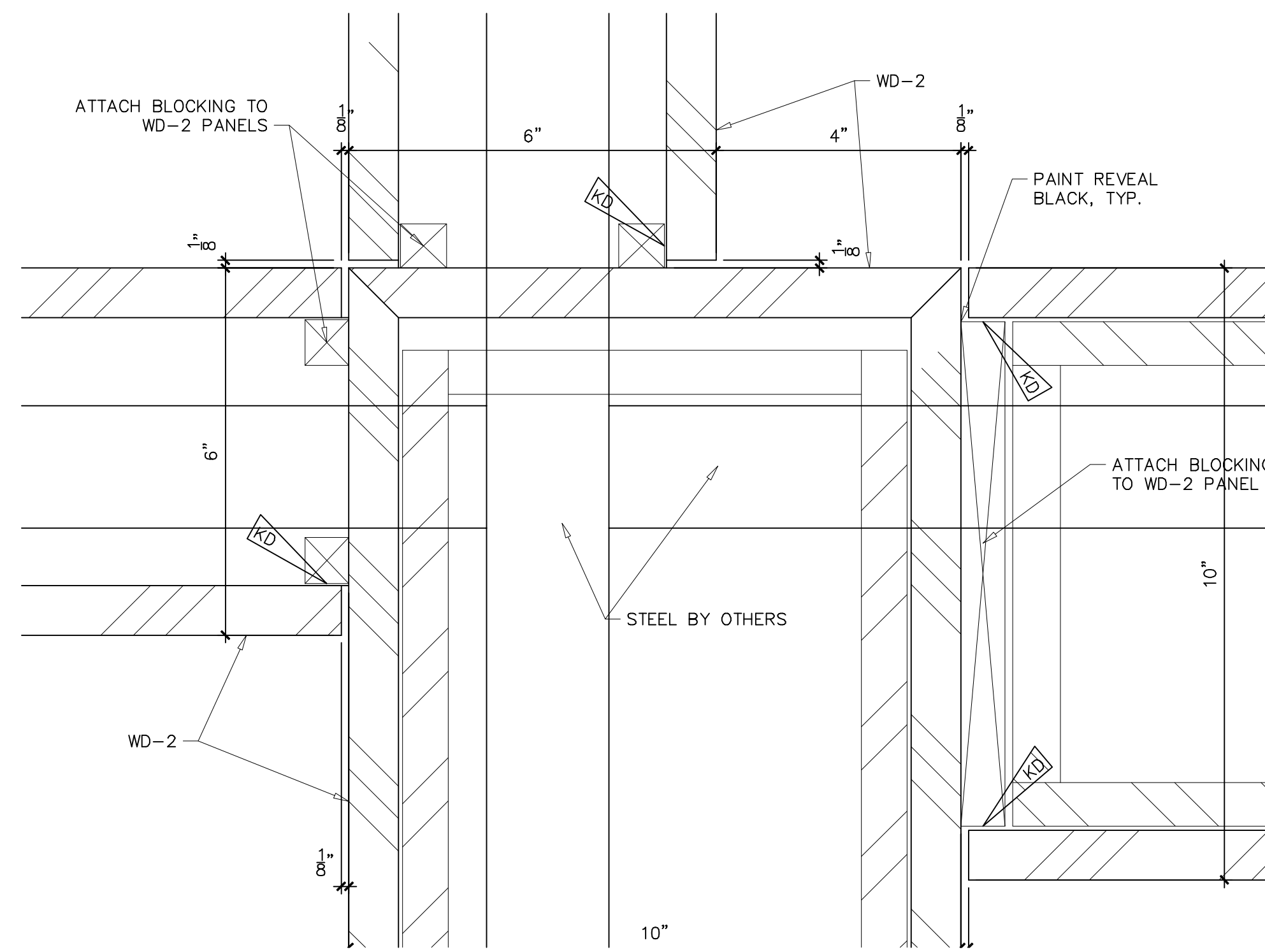
JOB NAME:
CORPORATE OFFICE
PALO ALTO, CA

DRAWING NAME: ELEVATION SECTION OF WINDOW WALL	
DRAWN BY:	DRAWING DATE: 05/29/03
JOB NO.	DRAWING NO. 5-4.6

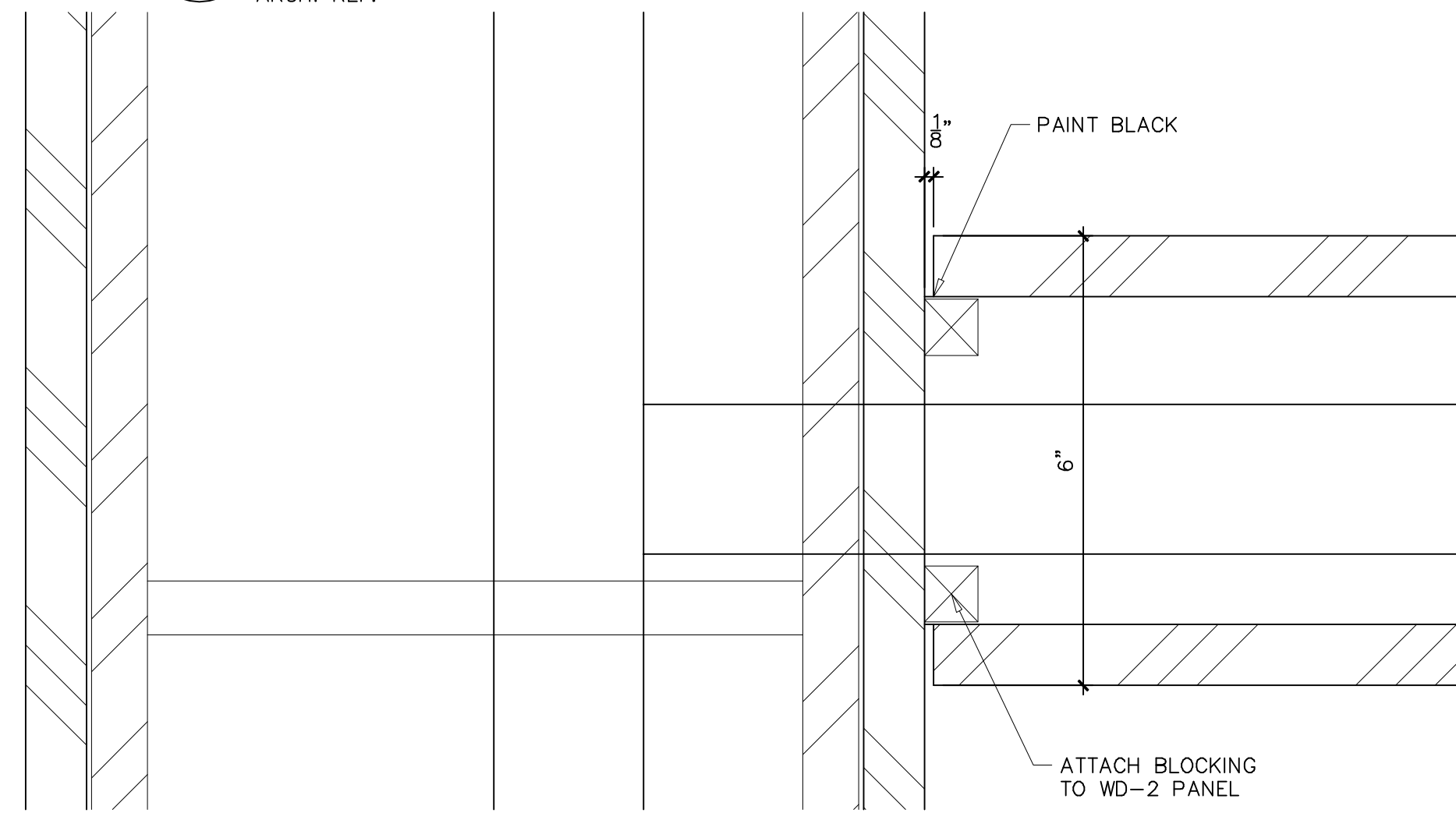
A ELEVATION SECTION OF WINDOW WALL
5-4.6 SCALE: 3/4" = 1'-0"
ARCH. REF:



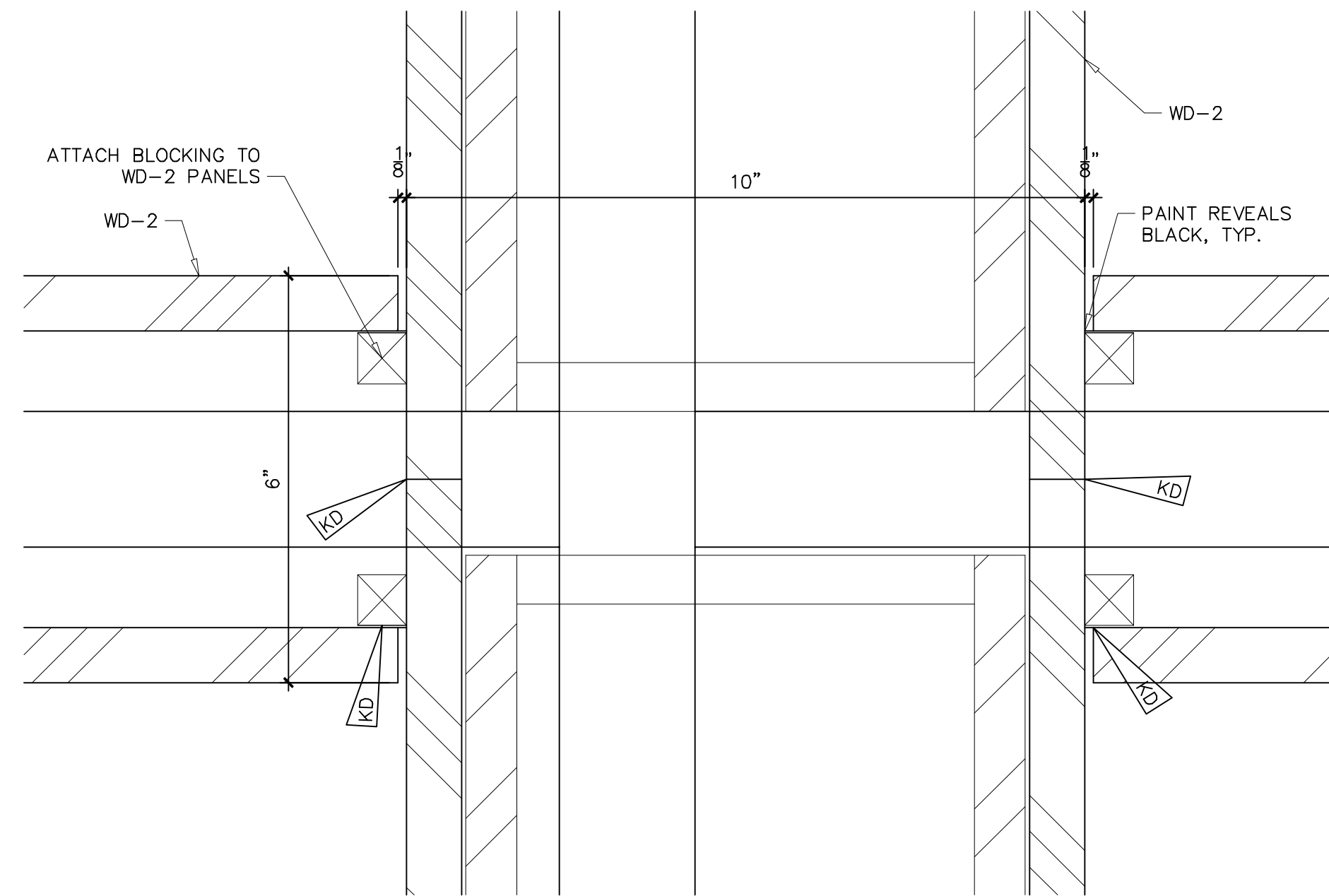
A DETAIL
5-4.7 SCALE: HALF FULL
ARCH. REF:



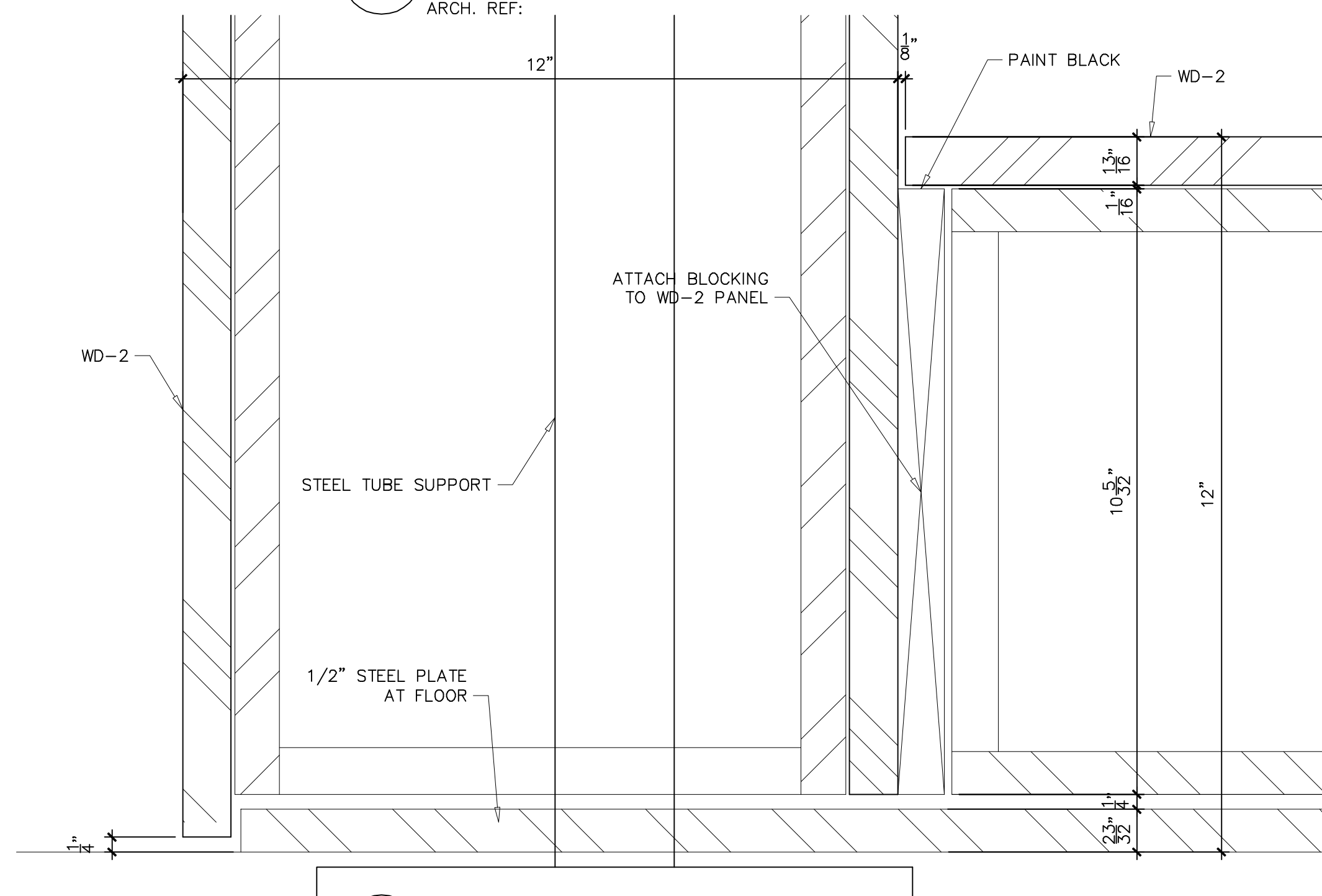
D DETAIL
5-4.7 SCALE: HALF FULL
ARCH. REF:



B DETAIL
5-4.7 SCALE: HALF FULL
ARCH. REF:



E DETAIL
5-4.7 SCALE: HALF FULL
ARCH. REF:



C DETAIL
5-4.7 SCALE: HALF FULL
ARCH. REF:

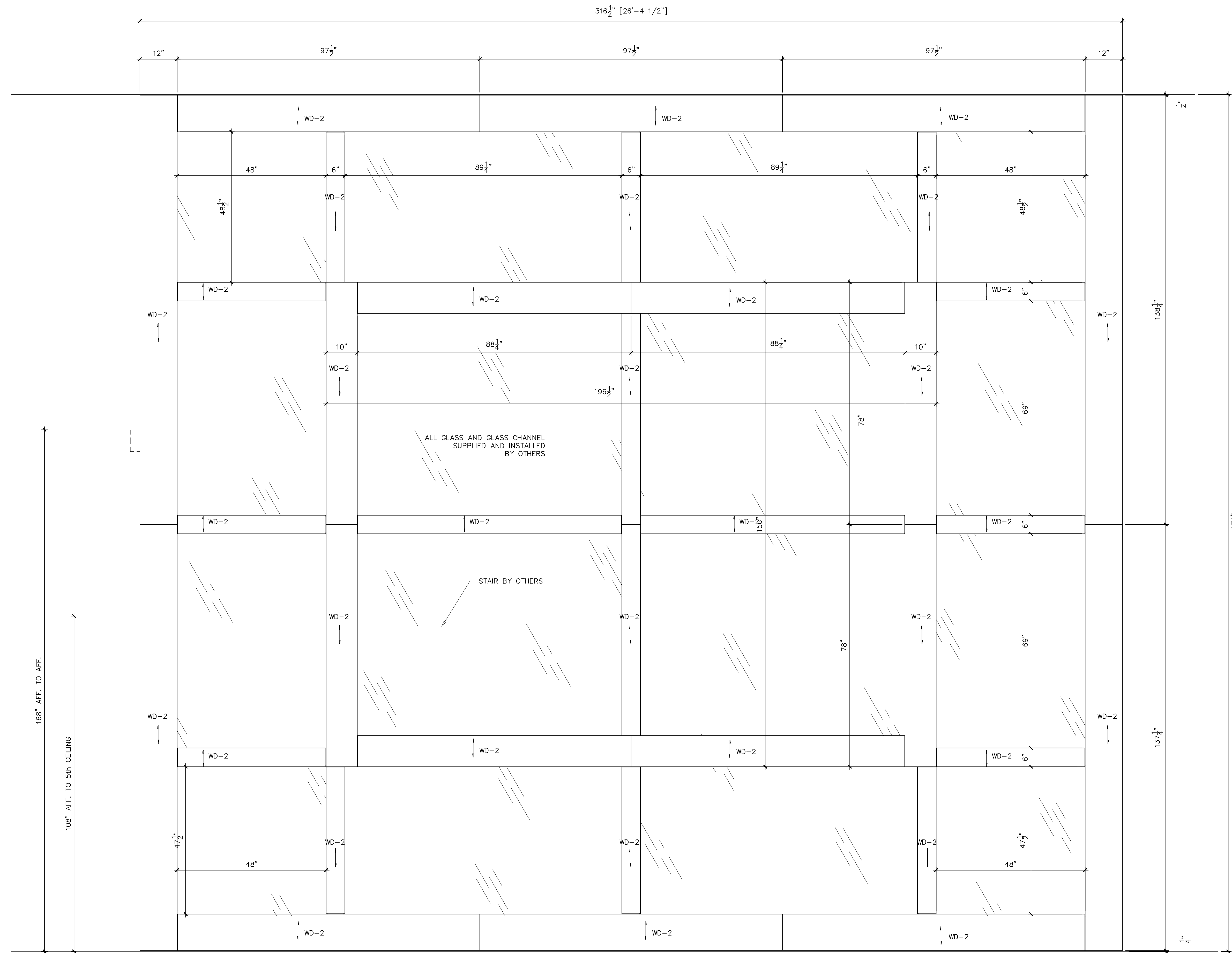
NOTES:

DOUBLE CHECK BY:	DATE:
FIELD LAYOUT BY:	DATE:
7.	
6.	
5.	
4.	
3.	
2.	
1.	
REVISIONS:	

JOB NAME:
CORPORATE OFFICE
PALO ALTO, CA

DRAWING NAME:
ELEVATION SECTION
DETAILS

DRAWN BY:	DRAWING DATE: 05/29/03
JOB NO.	DRAWING NO. 5-4.7



A
5-4.8 ELEVATION OF WINDOW WALL AT STAIR SOUTH
SCALE: 3/4" = 1'-0"
ARCH. REF:

NOTES:

FINISHES:

- WD-1: BLOCK MOTTLED MAKORE
- WD-2: QUARTER SAPELE, RIBBON STRIPE

DOUBLE CHECK BY: _____ DATE: _____

FIELD LAYOUT BY: _____ DATE: _____

7.	
6.	
5.	
4.	
3.	
2.	
1.	

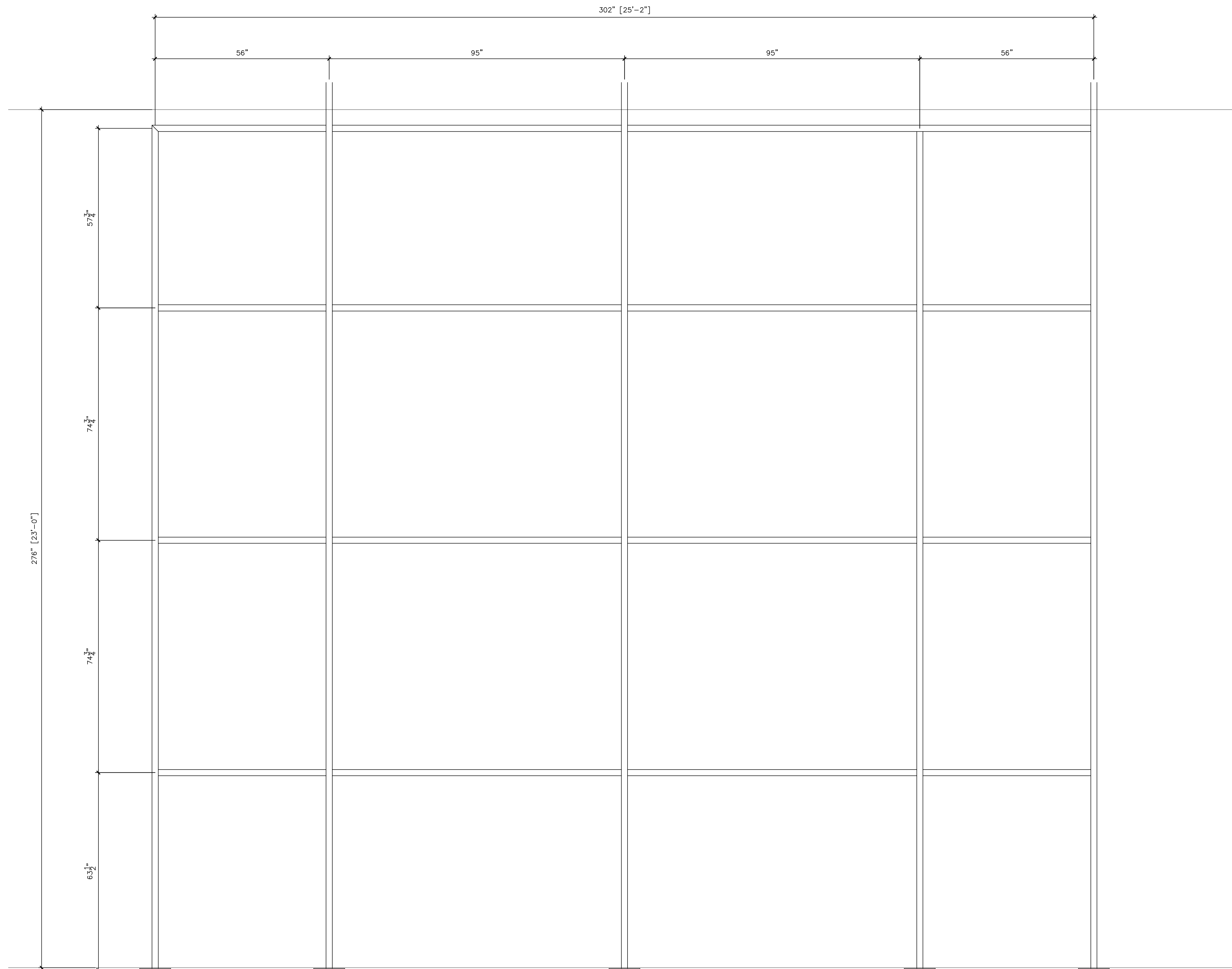
REVISIONS:

JOB NAME:
CORPORATE OFFICE
PALO ALTO, CA

DRAWING NAME:
ELEVATION OF WINDOW
WALL AT STAIR

DRAWN BY: _____ DRAWING DATE:
05/27/03

JOB NO. _____ DRAWING NO.
5-4.1



NOTES:

DOUBLE CHECK BY:	DATE:
FIELD LAYOUT BY:	DATE:
7.	
6.	
5.	
4.	
3.	
2.	
1.	
REVISIONS:	

JOB NAME:
CORPORATE OFFICE
PALO ALTO, CA

DRAWING NAME:
STEEL LAYOUT

DRAWN BY:	DRAWING DATE: 05/27/03
JOB NO.	DRAWING NO. 5-4.S

A ELEVATION OF STEEL FRAME
 SCALE: 3/4" = 1'-0"
 ARCH. REF: 1/A11.02