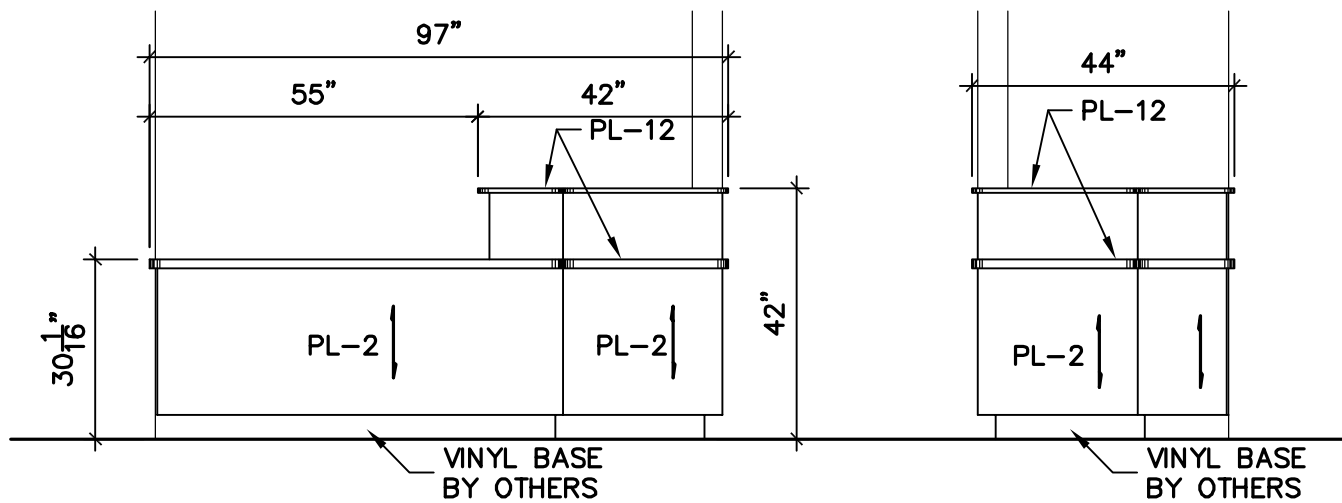


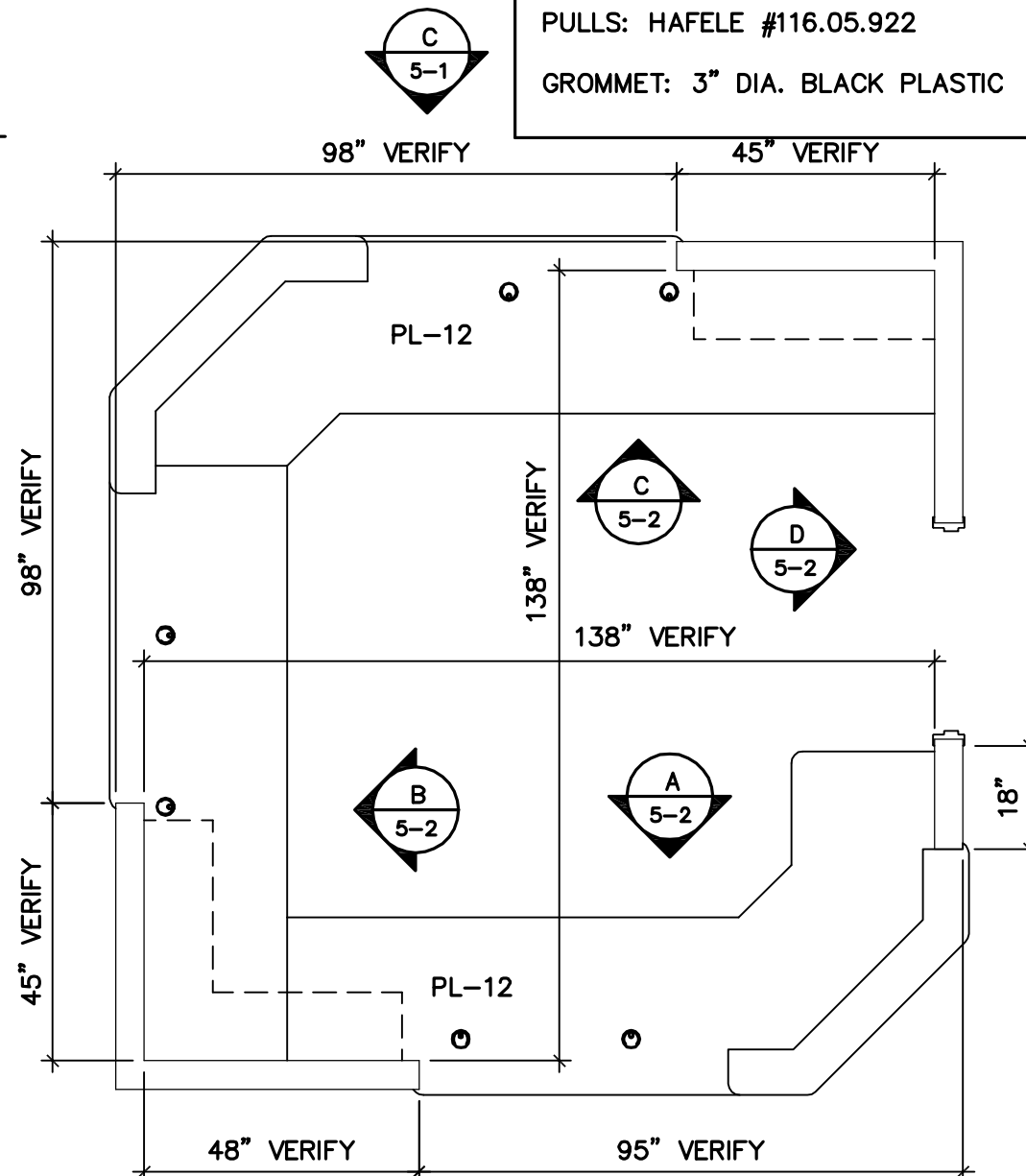
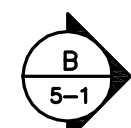
B ELEVATION
 5-1 SCALE: 3/8" = 1'- 0"
 ARCH. REF: 27/A3.03

C ELEVATION
 5-1 SCALE: 3/8" = 1'- 0"
 ARCH. REF: 28/A3.03



D ELEVATION
 5-1 SCALE: 3/8" = 1'- 0"
 ARCH. REF: 20/A3.03

E ELEVATION
 5-1 SCALE: 3/8" = 1'- 0"
 ARCH. REF: 21/A3.03



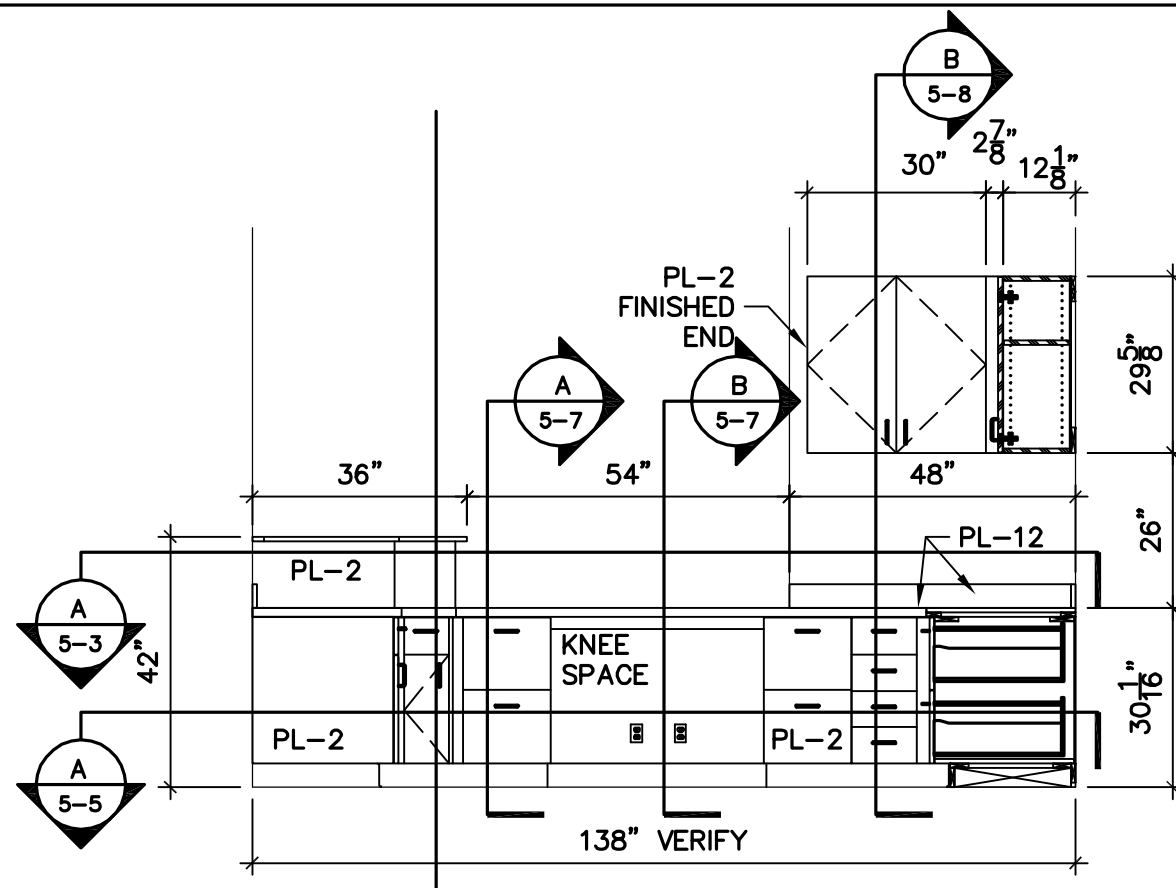
A PLAN OF REGISTRATION D108
 5-1 SCALE: 3/8" = 1'- 0"
 ARCH. REF: 1/A1.23

FINISHES:	
PL-2: WILSONART #7924-07 "BILTMORE CHERRY"	
PL-12: WILSONART #4655-60 "NATURAL LEGACY"	
NOTE: ALL CABINET INTERIORS TO BE WHITE MELAMINE UNLESS OTHERWISE NOTED	
CABINET HARDWARE:	
HINGES: BLUM 125° CONCEALED SELF CLOSING.	
DRAWER SLIDES: GRASS ZARGEN 22" SLIDES	
PULLS: HAFELE #116.05.922	
GROMMET: 3" DIA. BLACK PLASTIC	

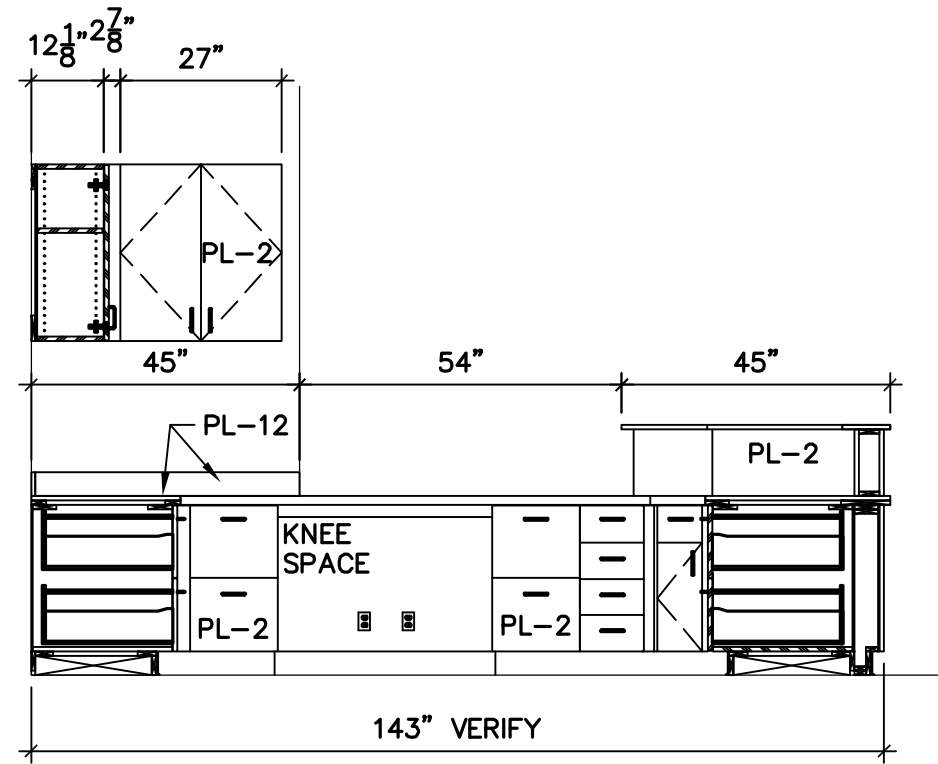
REVISIONS	BY
JOB#	
DRAWN BY:	DATE
TM	12/28/07

Job Name:

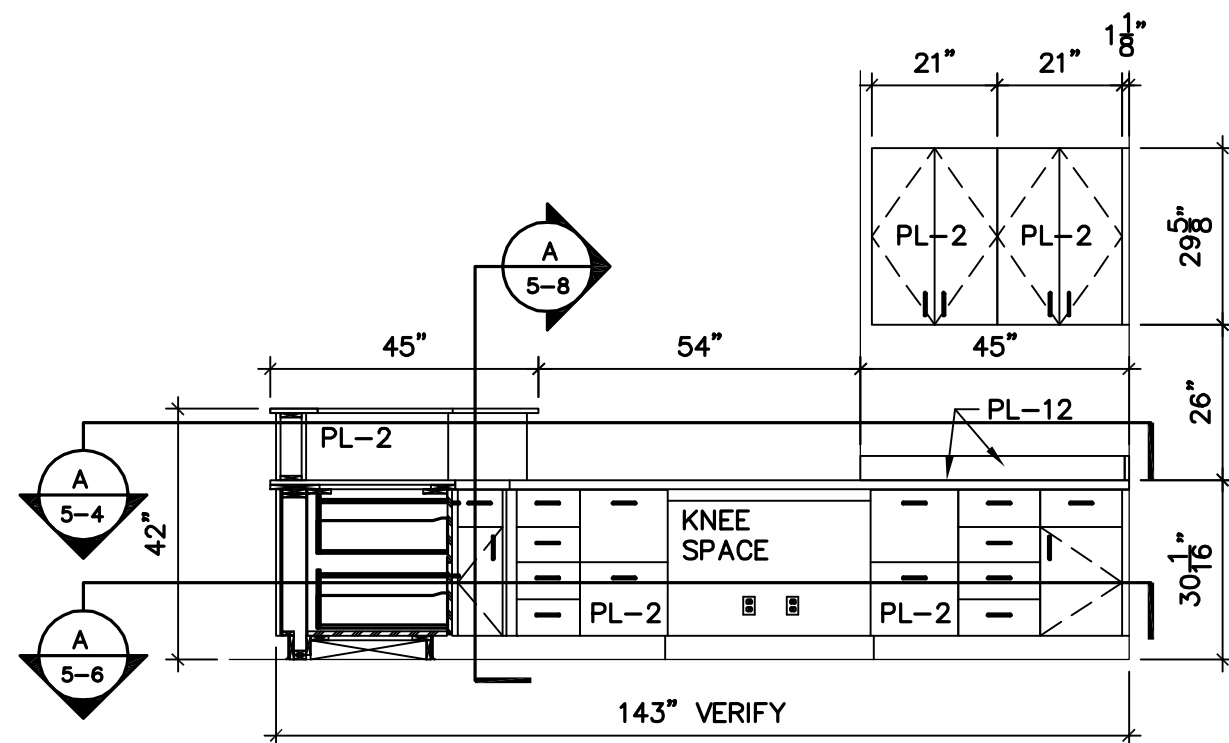
PAGE:
D1
5-1



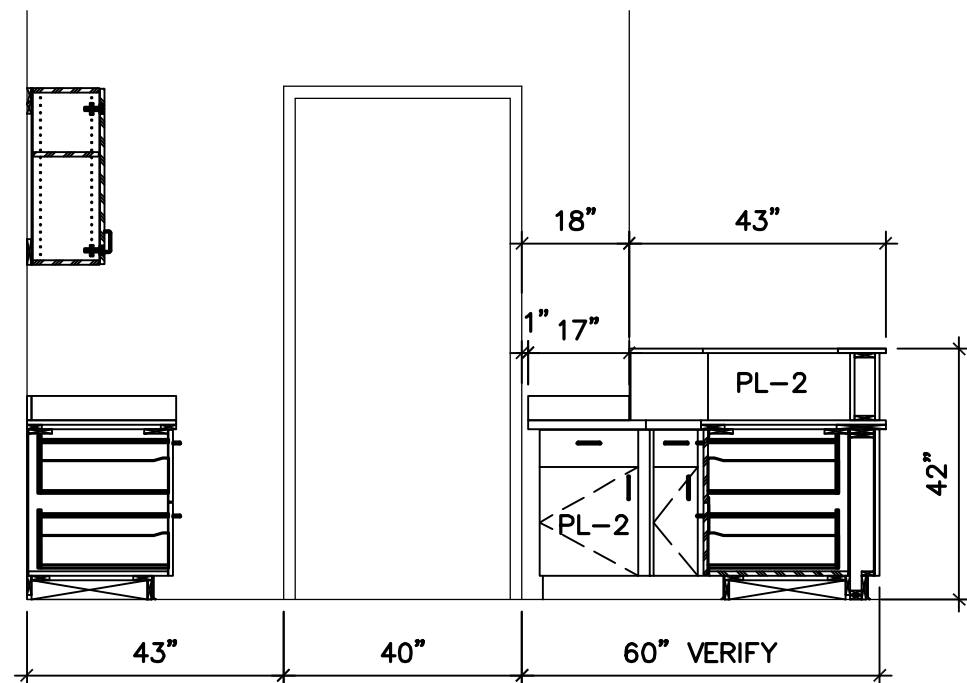
A ELEVATION
5-2 SCALE: 3/8" = 1'- 0"
ARCH. REF: 31/A3.03



B ELEVATION
5-2 SCALE: 3/8" = 1'- 0"
ARCH. REF: 32/A3.03



C ELEVATION
5-2 SCALE: 3/8" = 1'- 0"
ARCH. REF: 1/A3.04



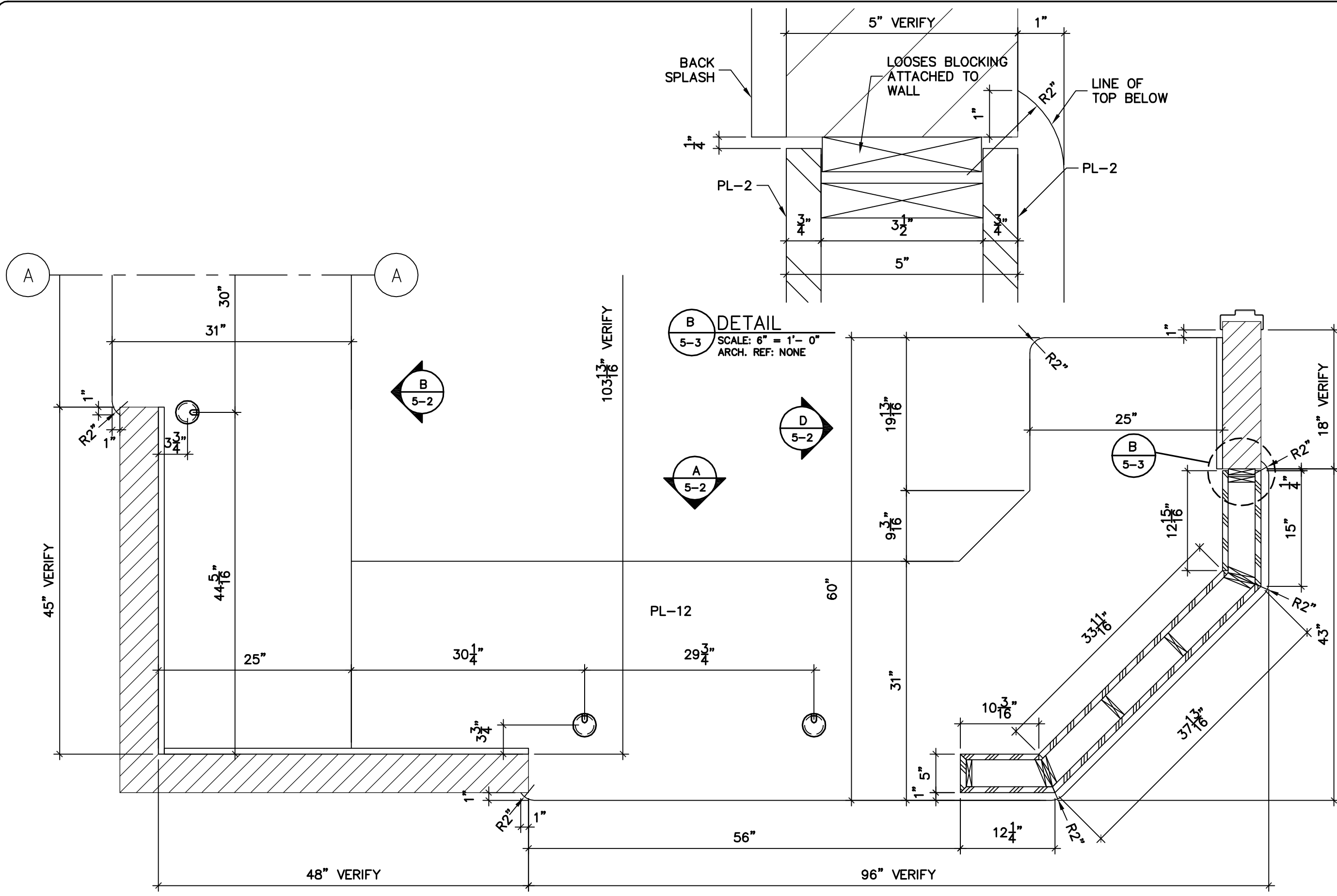
D ELEVATION
5-2 SCALE: 3/8" = 1'- 0"
ARCH. REF: 29/A3.03

REVISIONS	BY
JOB#	
DRAWN BY:	DATE
TM	12/28/07

Job Name:

PAGE:
D1
5-2

REVISIONS	BY
JOB#	
DRAWN BY:	DATE
TM	12/28/07

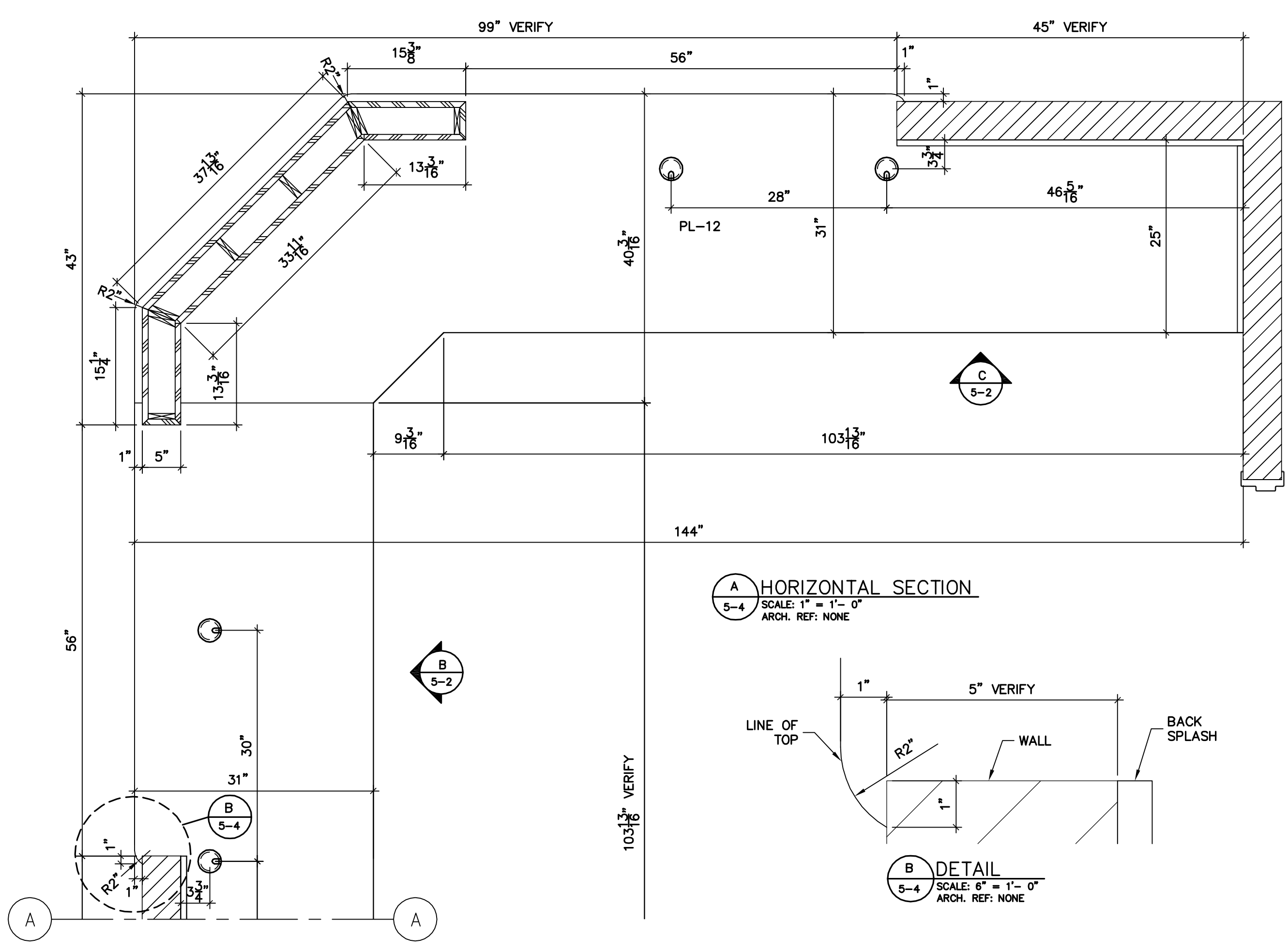


B DETAIL
 5-3 SCALE: 6" = 1'-0"
 ARCH. REF: NONE

A HORIZONTAL SECTION
 5-3 SCALE: 1" = 1'-0"
 ARCH. REF: NONE

Job Name:

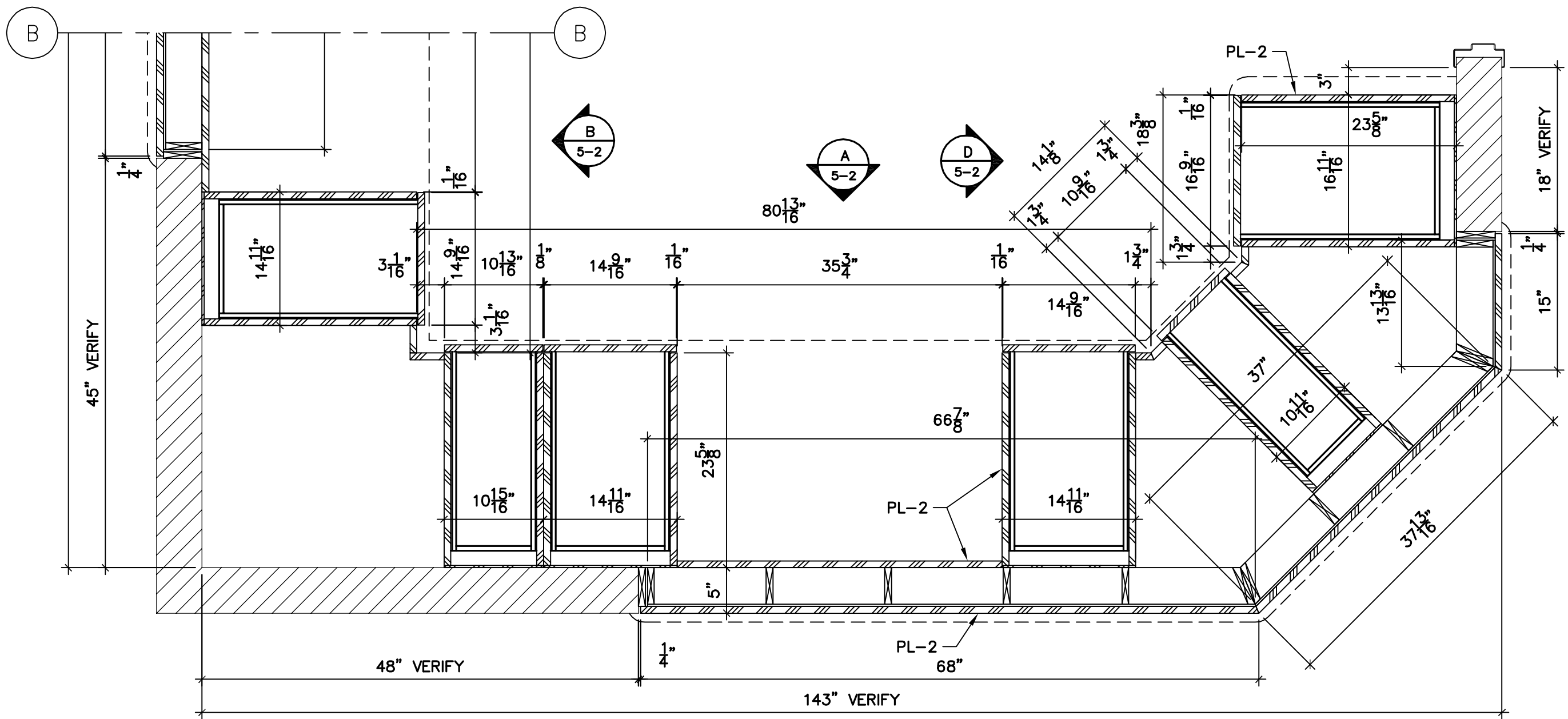
PAGE:
D1
5-3



REVISIONS	BY
JOB#	
DRAWN BY:	DATE
TM	01/03/07

Job Name:

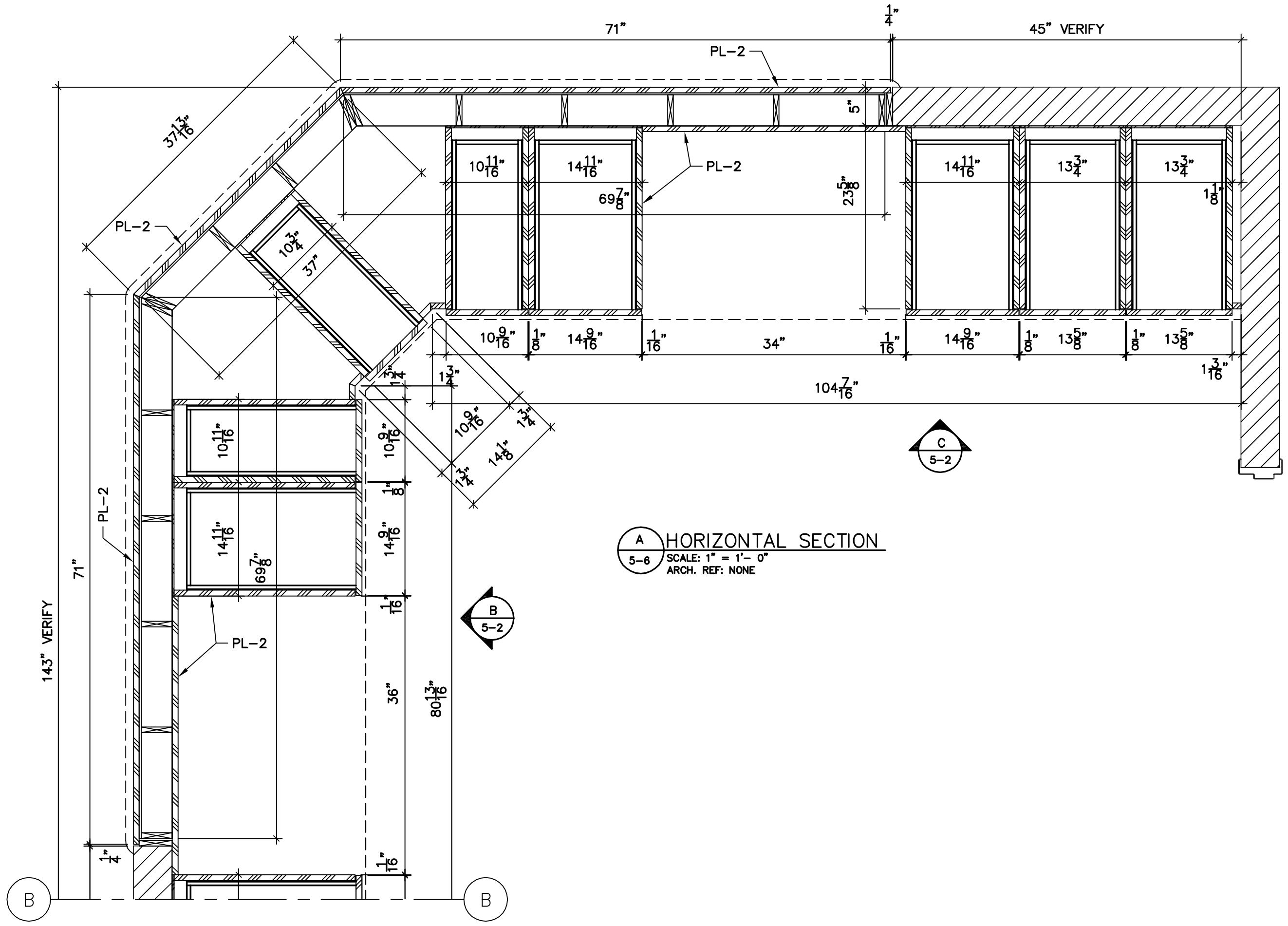
REVISIONS	BY
JOB#	
DRAWN BY:	DATE
TM	12/28/07



A HORIZONTAL SECTION
5-5 SCALE: 1" = 1'-0"
 ARCH. REF: NONE

Job Name:

PAGE:
D1
5-5



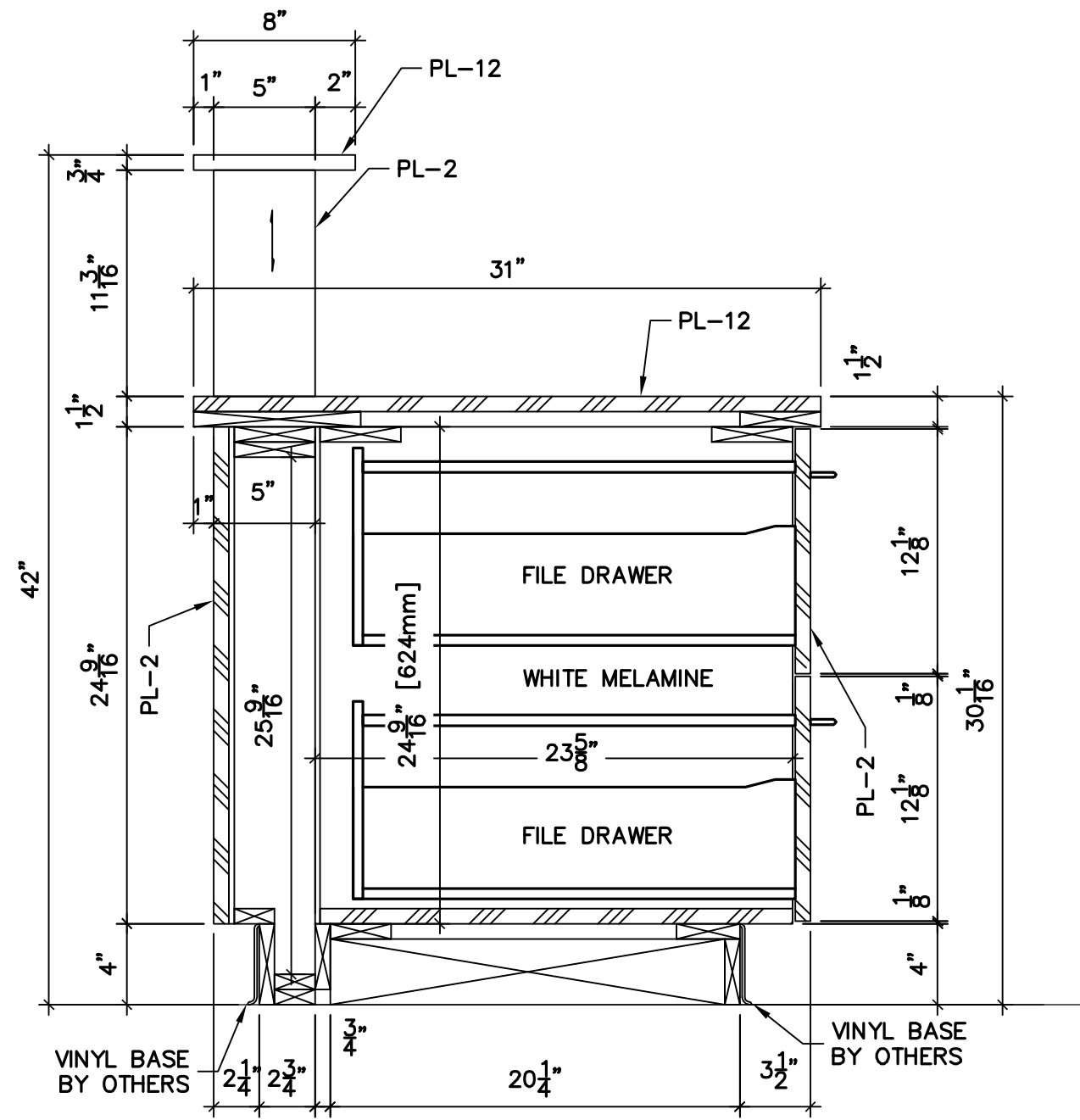
A HORIZONTAL SECTION
 5-6 SCALE: 1" = 1'- 0"
 ARCH. REF: NONE

REVISIONS	BY
JOB#	
DRAWN BY:	DATE
TM	01/03/07

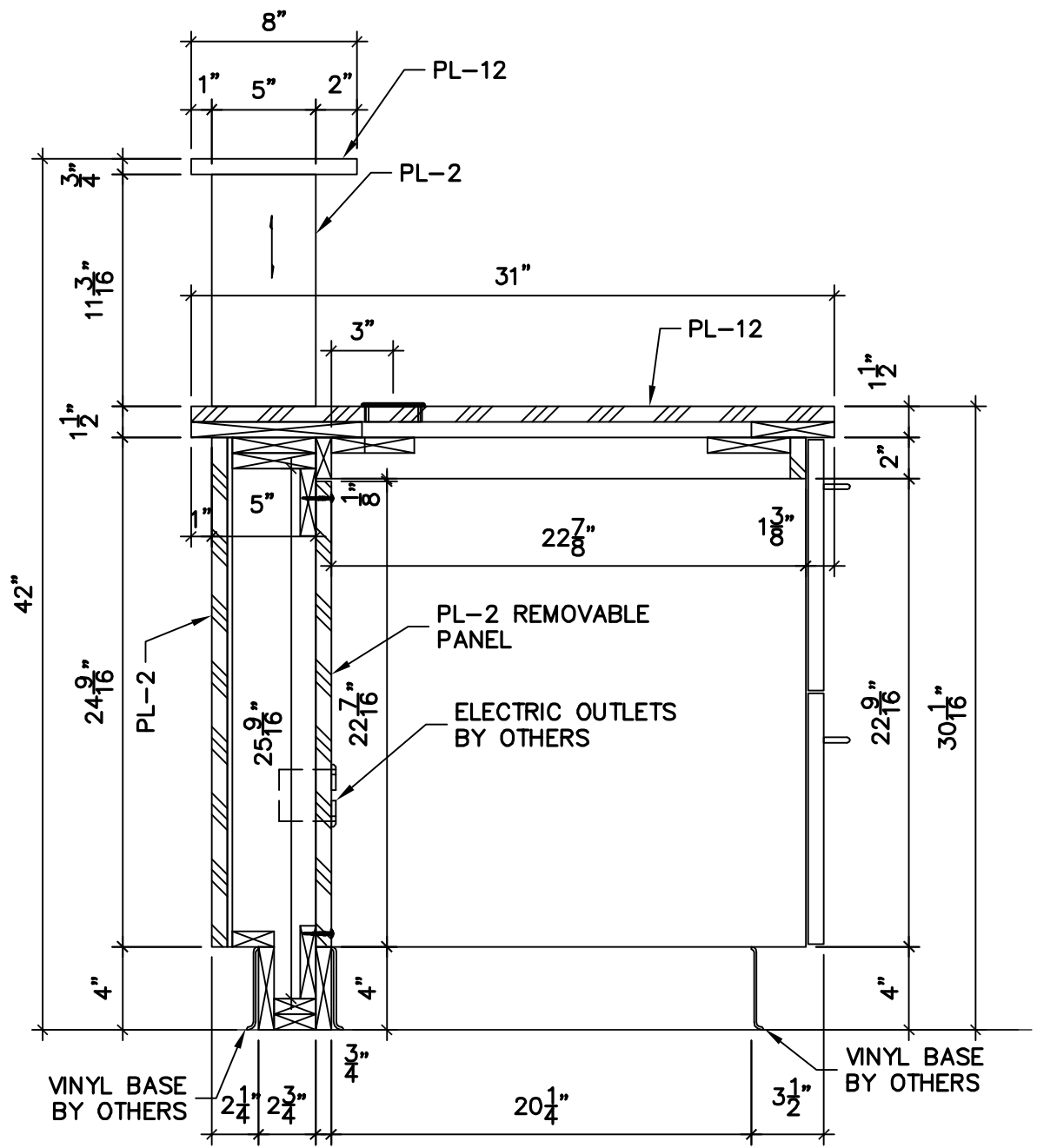
Job Name:

PAGE:
D1
5-6

REVISIONS	BY
JOB#	
DRAWN BY:	DATE
TM	01/04/08



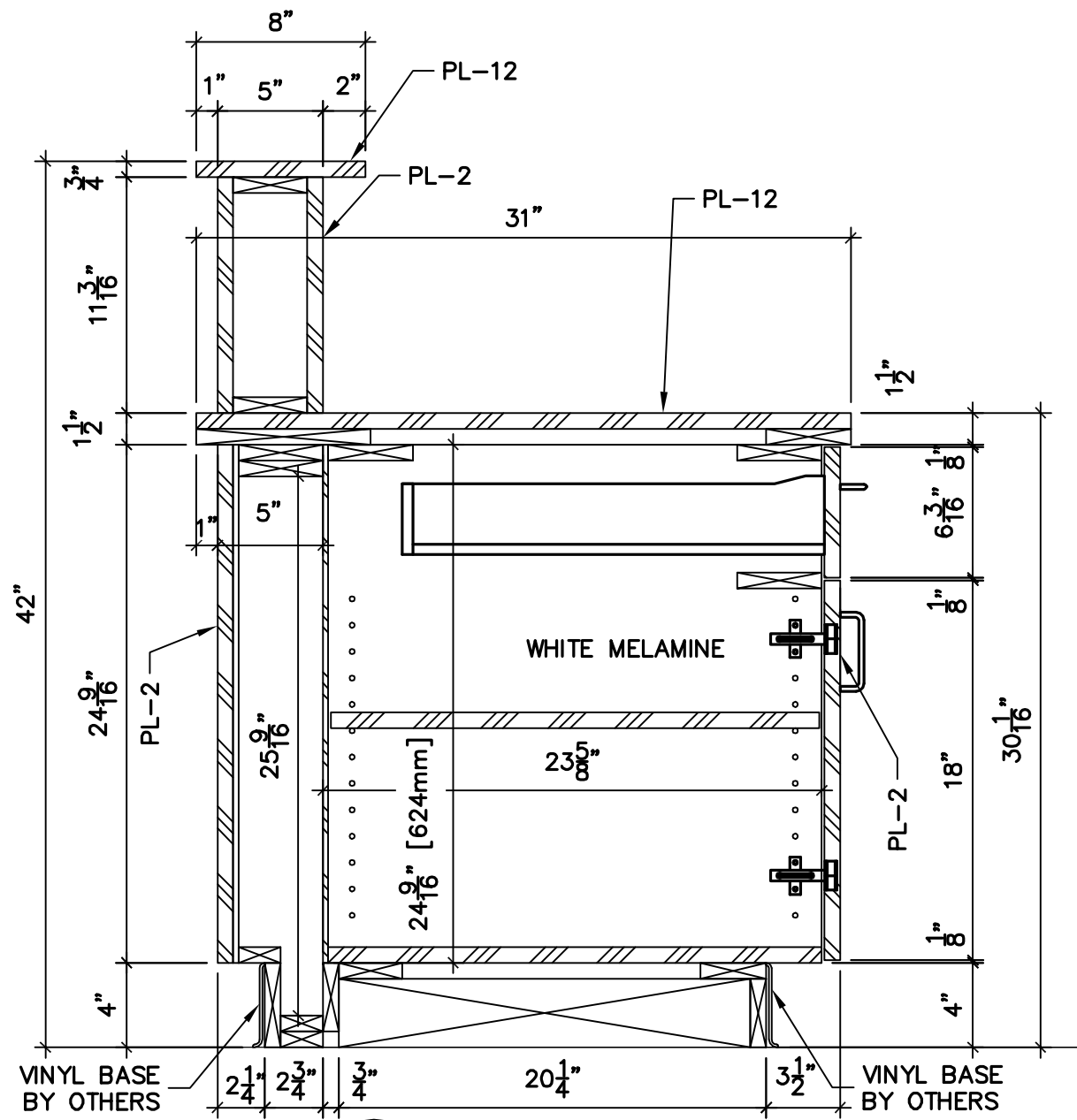
A VERTICAL SECTION
 5-7 SCALE: 1-1/2" = 1'-0"
 ARCH. REF: 12/A3.15



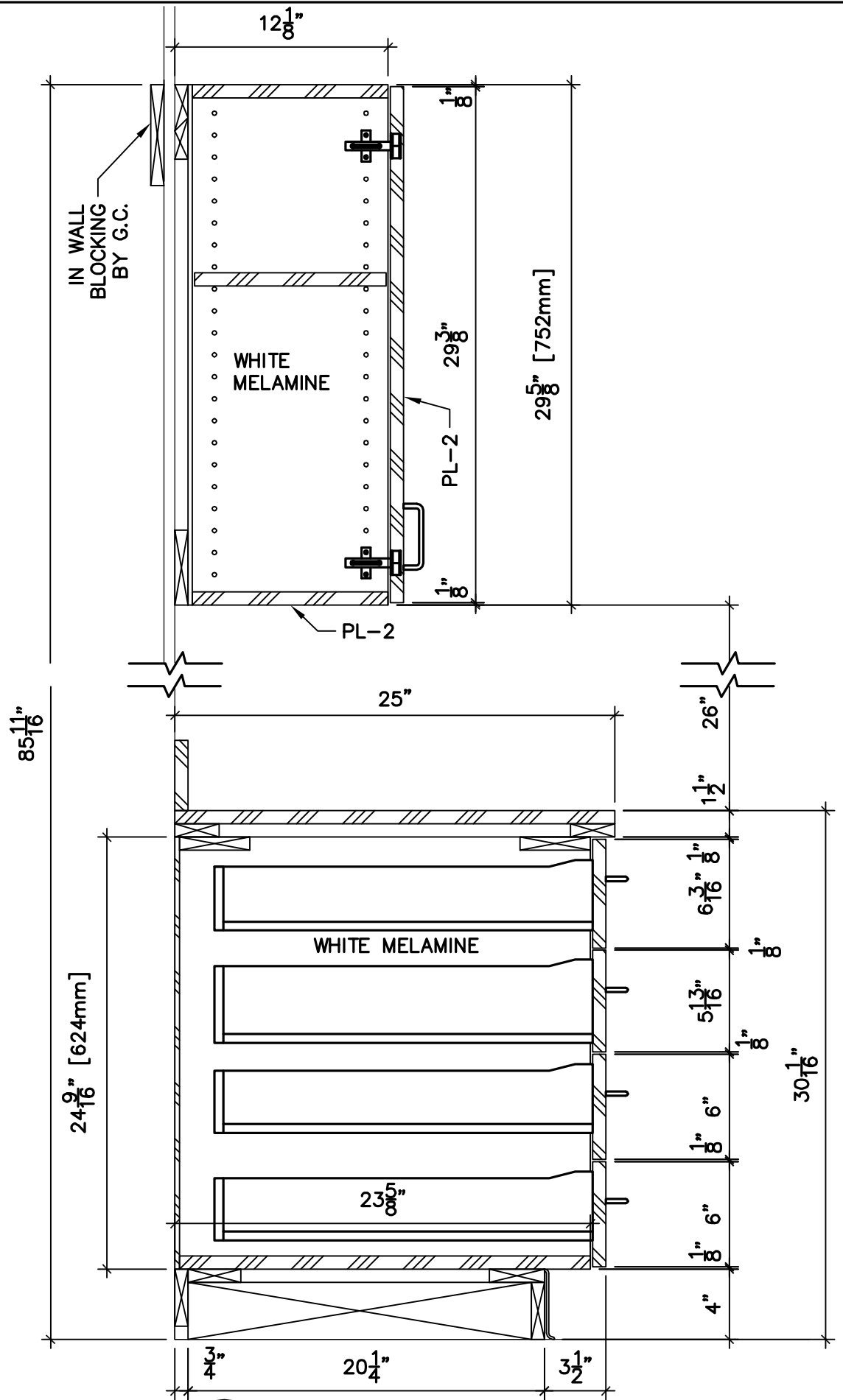
B VERTICAL SECTION
 5-7 SCALE: 1-1/2" = 1'-0"
 ARCH. REF: 13/A3.15

Job Name:

PAGE:
D1
5-7



A VERTICAL SECTION
 5-8 SCALE: 1-1/2" = 1'- 0"
 ARCH. REF: 11/A3.15



B VERTICAL SECTION
 5-8 SCALE: 1-1/2" = 1'- 0"
 ARCH. REF: 6/A3.13

REVISIONS	BY
JOB#	
DRAWN BY:	DATE
TM	01/04/08

Job Name:

PAGE:
D1
5-8