

B ELEVATION
4-1 SCALE: 3/8" = 1'- 0"
ARCH. REF: 22/A3.03

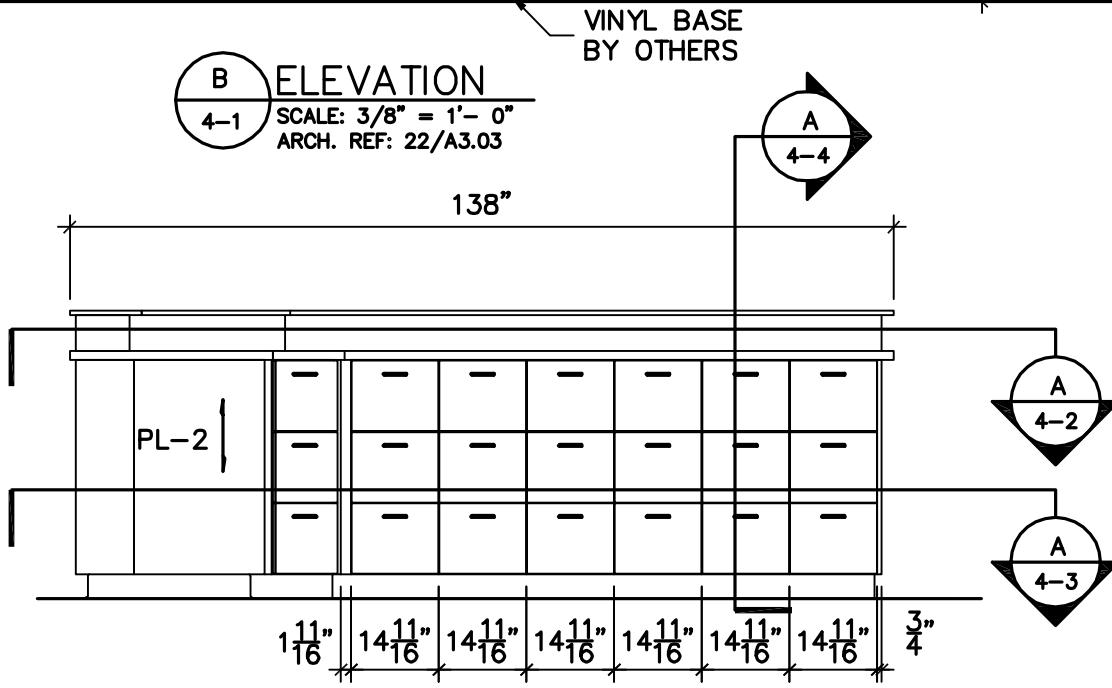
C ELEVATION
4-1 SCALE: 3/8" = 1'- 0"
ARCH. REF: 23/A3.03

FINISHES:
PL-2: WILSONART #7924-07
"BILTMORE CHERRY"
PL-12: WILSONART #4655-60
"NATURAL LEGACY"

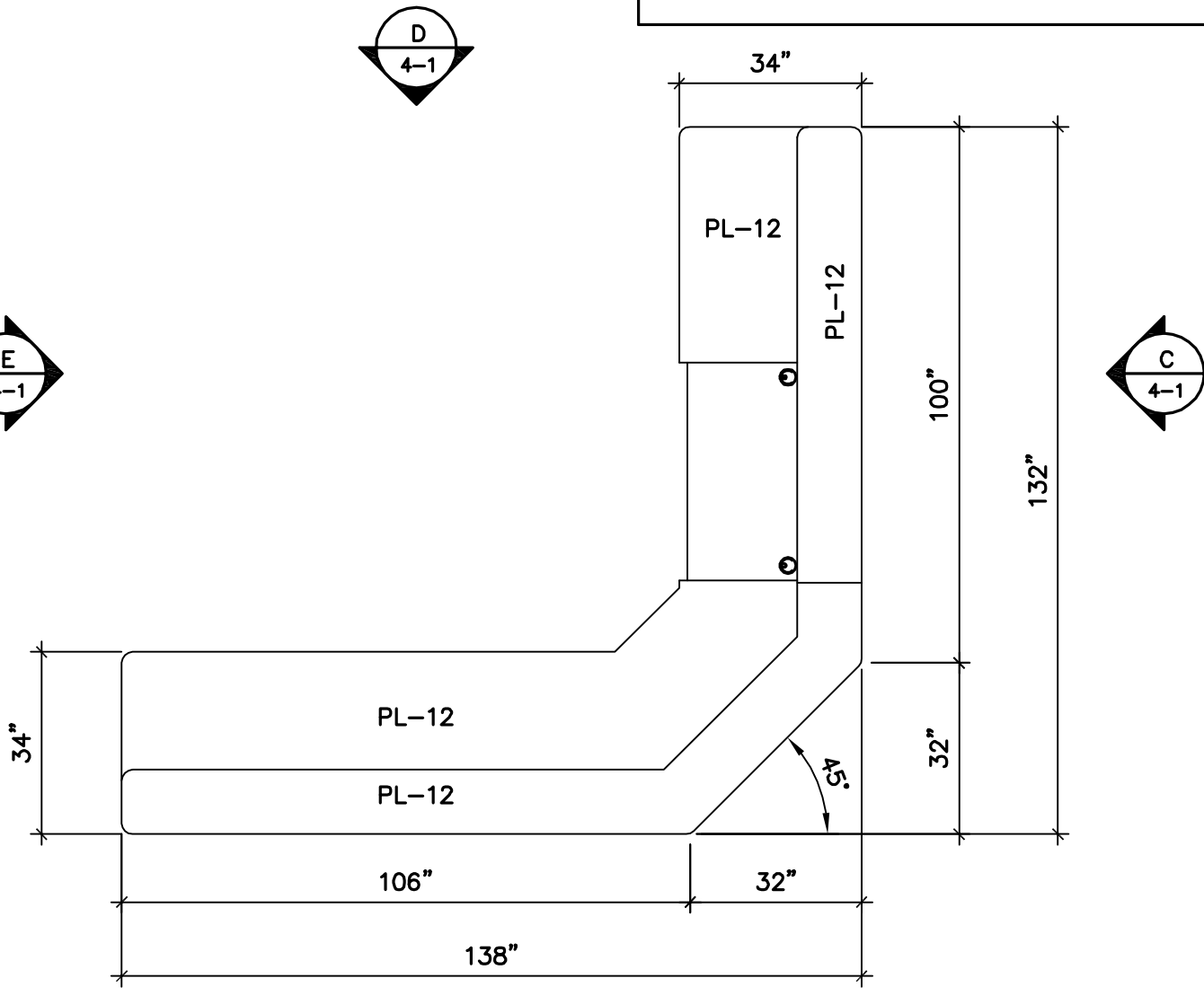
NOTE: ALL CABINET INTERIORS TO BE WHITE MELAMINE UNLESS OTHERWISE NOTED

CABINET HARDWARE:
HINGES: BLUM 125° CONCEALED SELF CLOSING.
DRAWER SLIDES: GRASS ZARGEN 22" SLIDES
PULLS: HAFELE #116.05.922
GROMMET: 3" DIA. BLACK PLASTIC

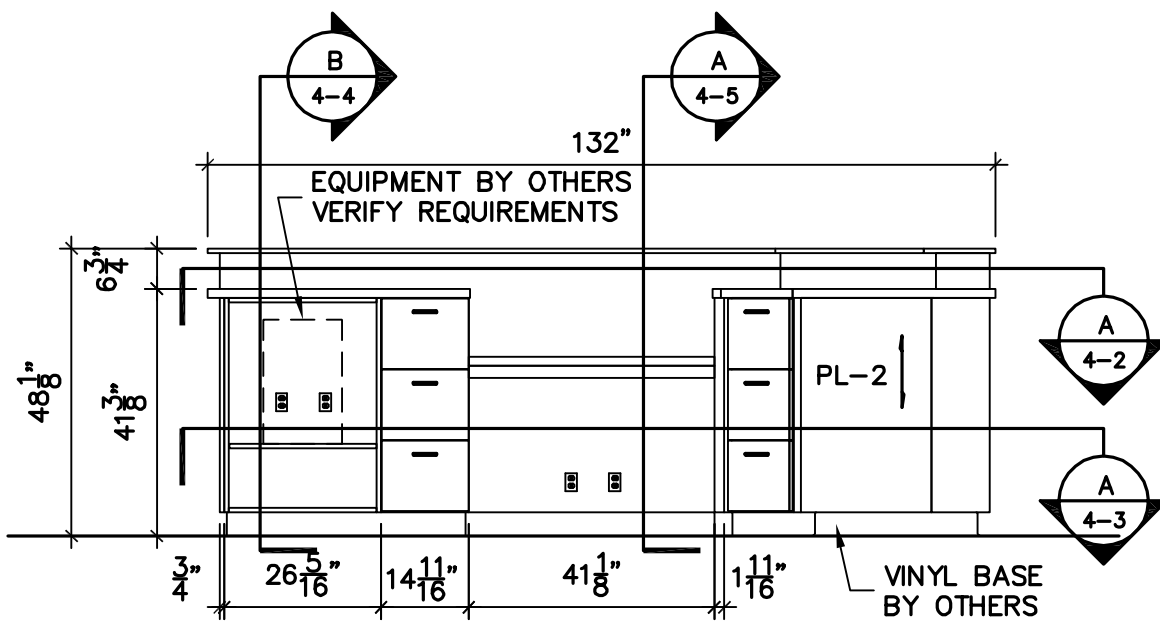
REVISIONS	BY
JOB#	
DRAWN BY:	DATE
TM	12/28/07



D ELEVATION
4-1 SCALE: 3/8" = 1'- 0"
ARCH. REF: 24/A3.03



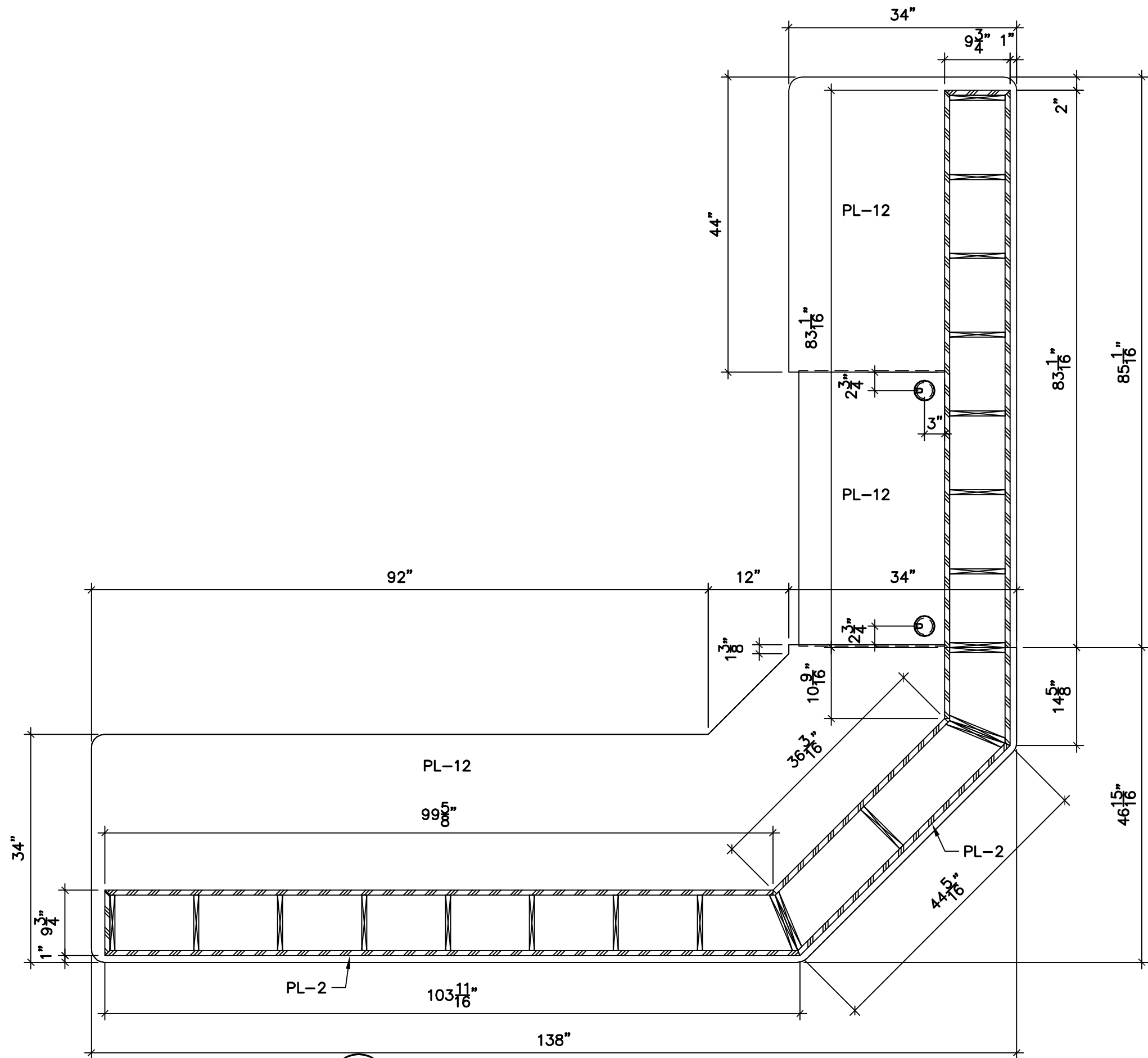
A PLAN OF STAFF WORK AREA
4-1 SCALE: 3/8" = 1'- 0"
ARCH. REF: 1/A1.23



E ELEVATION
4-1 SCALE: 3/8" = 1'- 0"
ARCH. REF: 26/A3.03

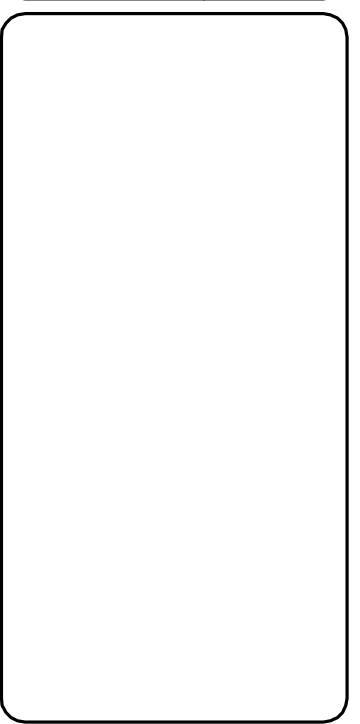
Job Name:

PAGE:
D1
4-1



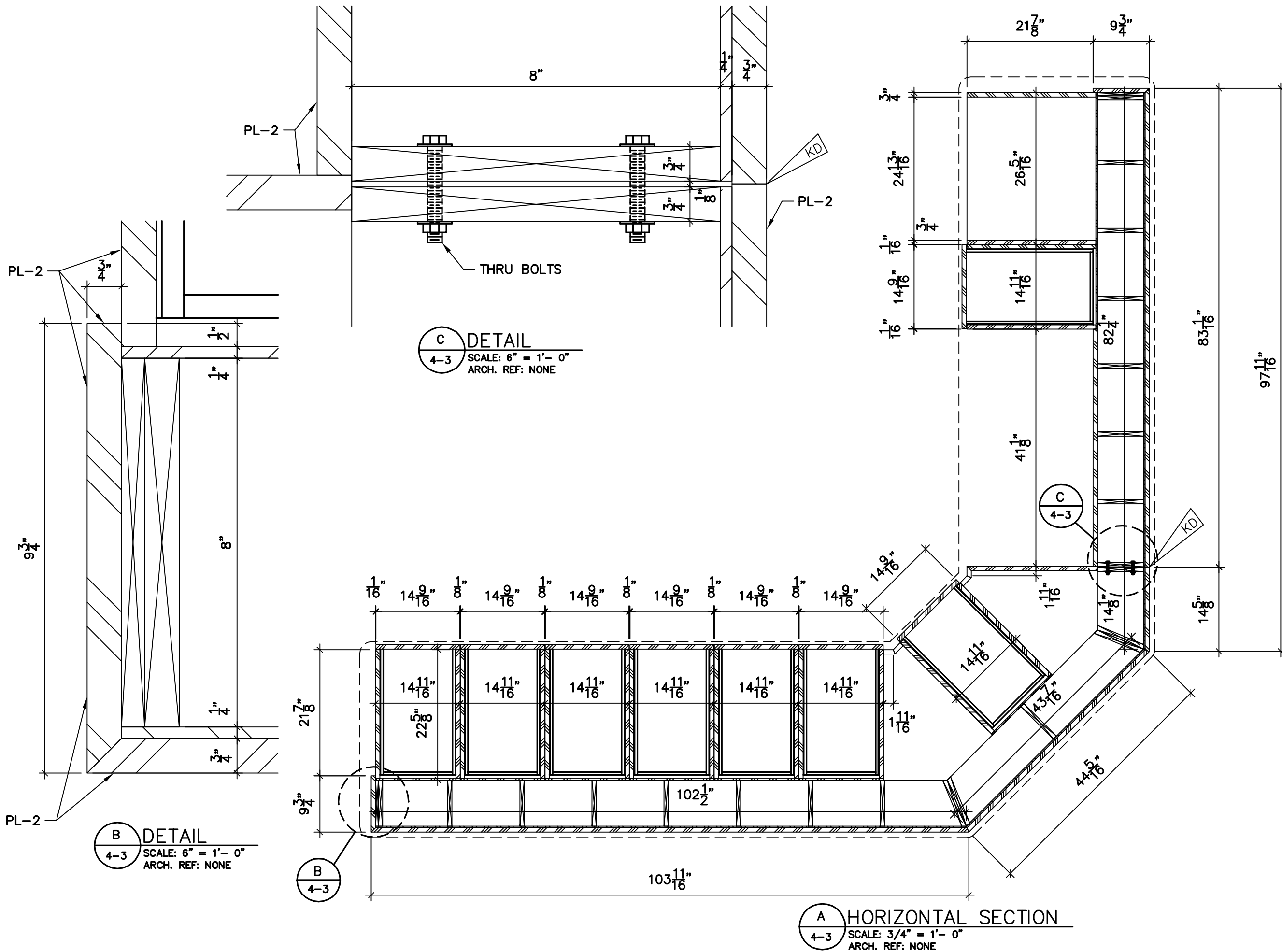
A HORIZONTAL SECTION
4-2 SCALE: 3/4" = 1'-0"
 ARCH. REF: NONE

REVISIONS	BY
JOB#	
DRAWN BY:	DATE
TM	12/28/07



Job Name:

PAGE:
D1
4-2



C DETAIL
4-3 SCALE: 6" = 1'- 0"
ARCH. REF: NONE

B DETAIL
4-3 SCALE: 6" = 1'- 0"
ARCH. REF: NONE

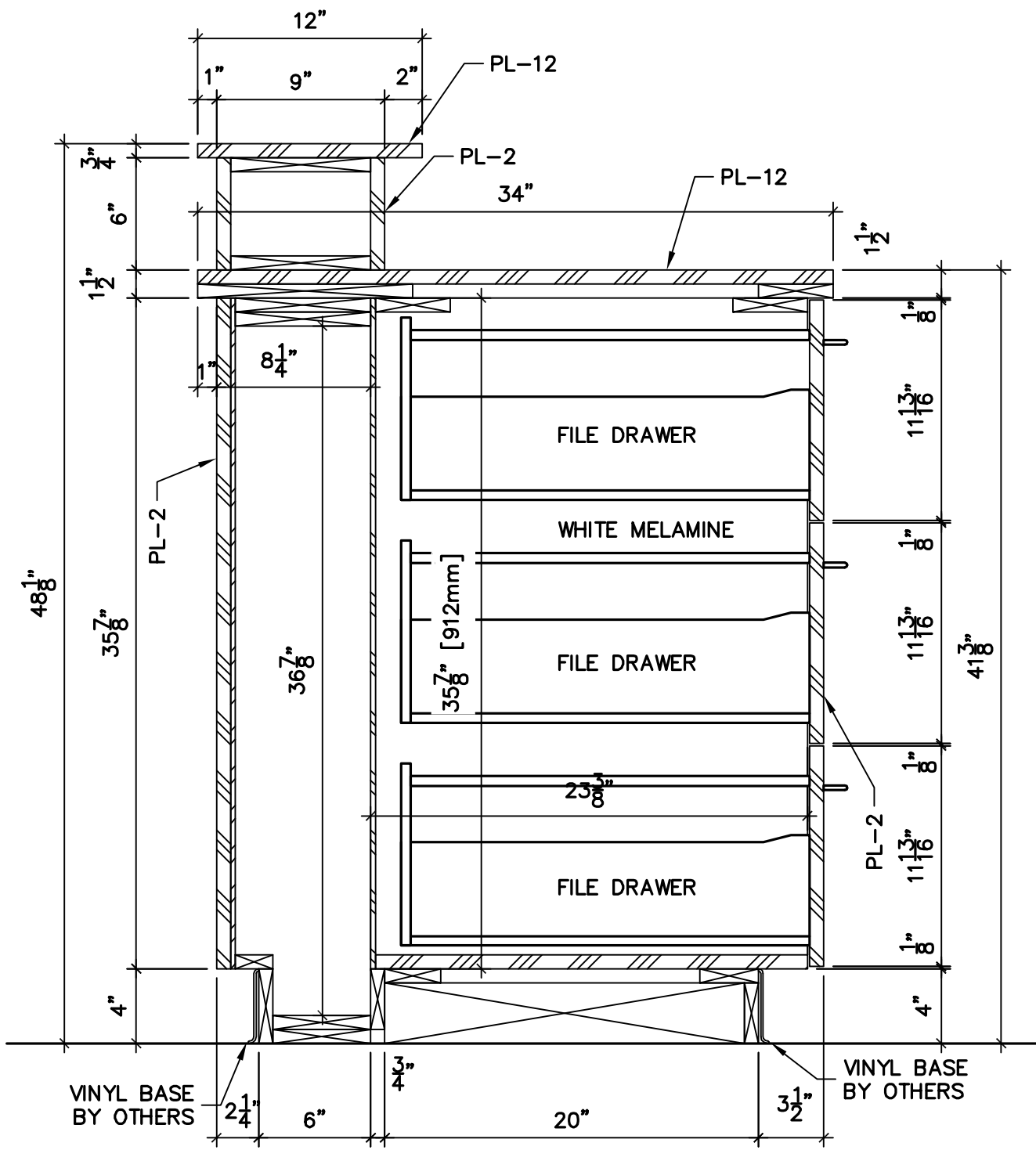
A HORIZONTAL SECTION
4-3 SCALE: 3/4" = 1'- 0"
ARCH. REF: NONE

REVISIONS	BY
JOB#	
DRAWN BY:	DATE
TM	12/28/07

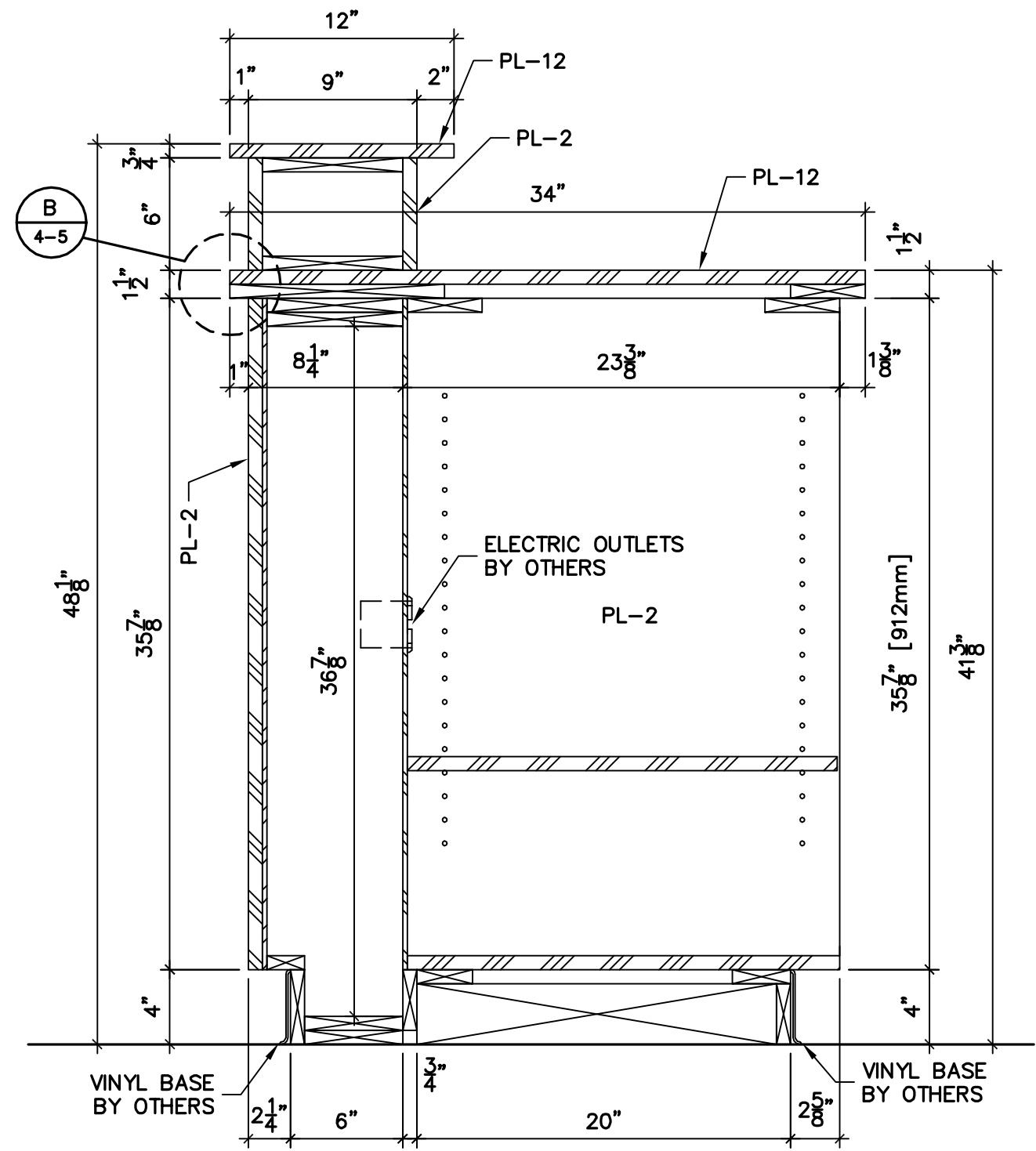
Job Name:

PAGE:
D1
4-3

REVISIONS	BY
JOB#	
DRAWN BY:	DATE
TM	12/28/07



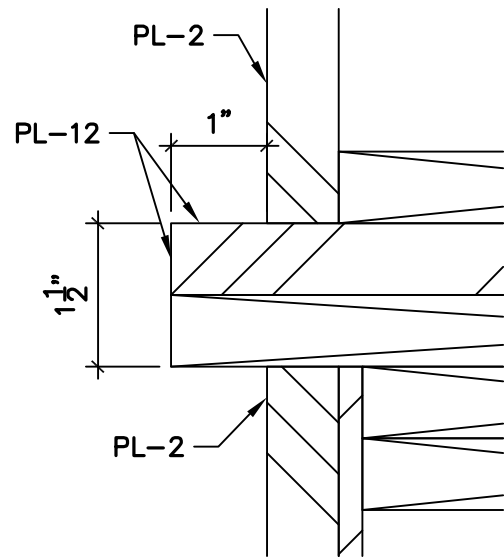
A VERTICAL SECTION
 4-4 SCALE: 1-1/2" = 1'-0"
 ARCH. REF: 17/A3.03



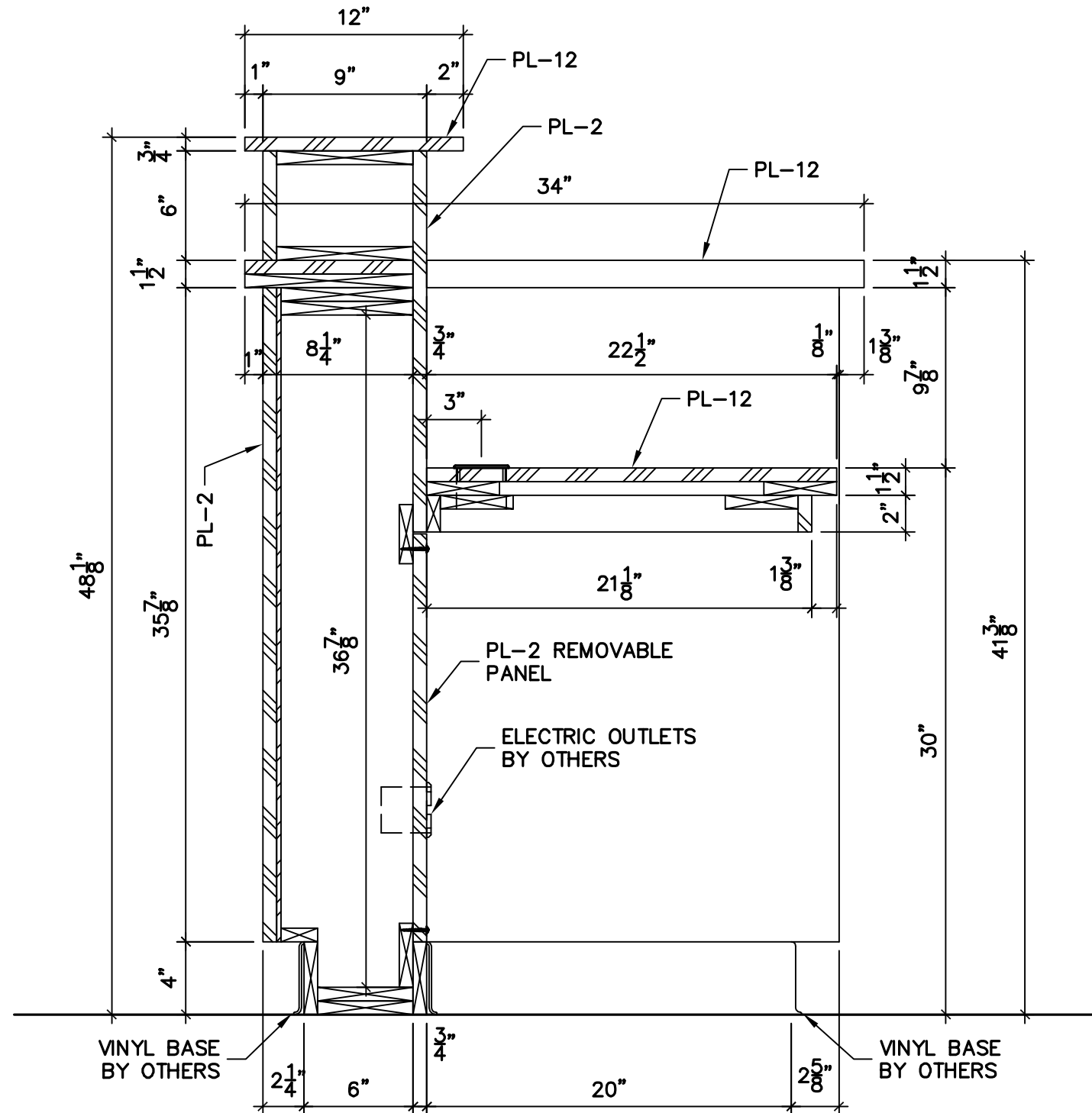
B VERTICAL SECTION
 4-4 SCALE: 1-1/2" = 1'-0"
 ARCH. REF: 1A3.14

Job Name:

PAGE:
D1
4-4



B DETAIL
 4-5 SCALE: 6" = 1'- 0"
 ARCH. REF: NONE



A VERTICAL SECTION
 4-5 SCALE: 1-1/2" = 1'- 0"
 ARCH. REF: 18/A3.13

REVISIONS	BY
JOB#	
DRAWN BY:	DATE
TM	12/28/07

Job Name:

PAGE:
D1
4-5