

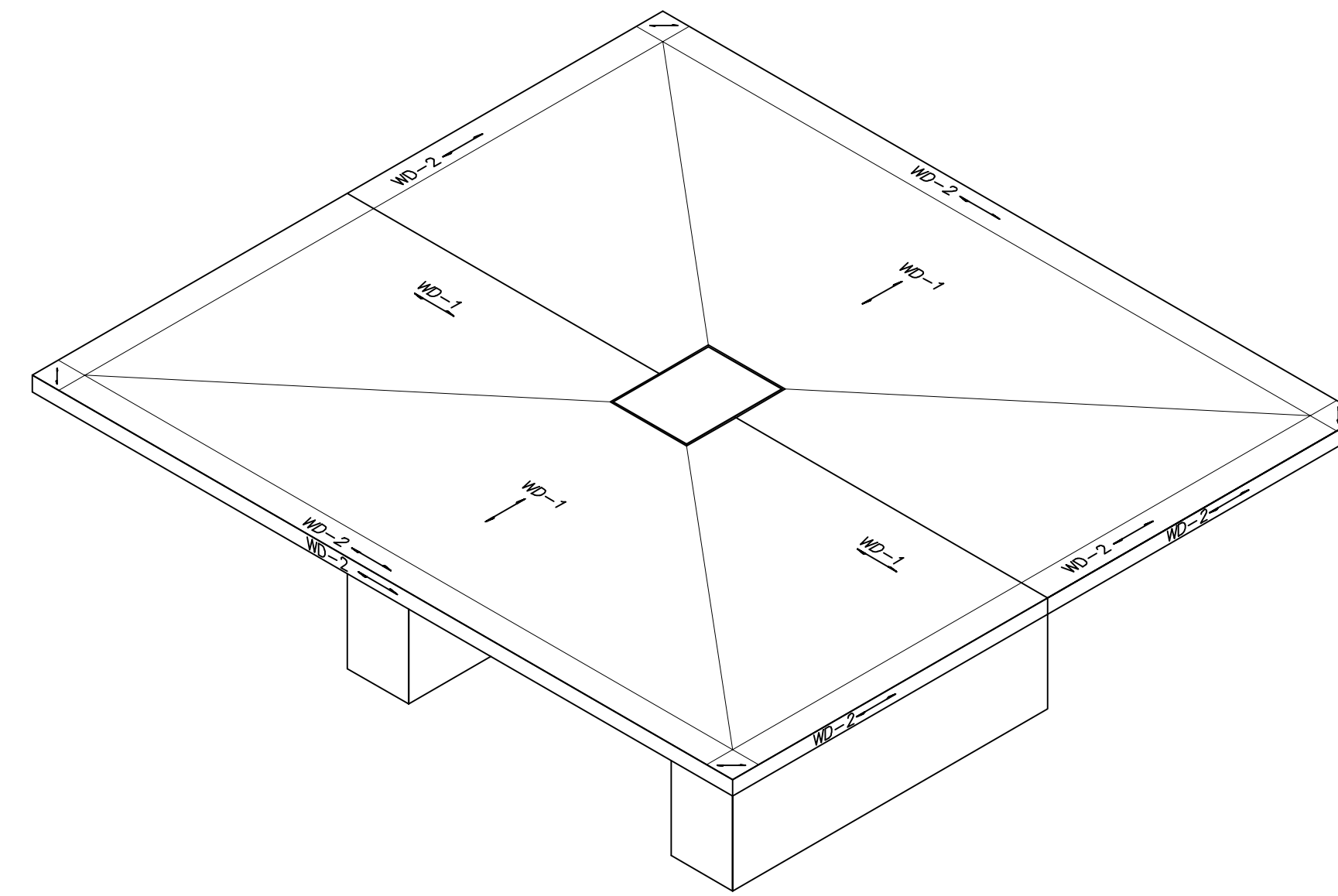
A PLAN VIEW OF TABLE
 5-1.1 SCALE: 1" = 1'-0"
 ARCH. REF: SK-3

TABLE TOP PART NUMBERS

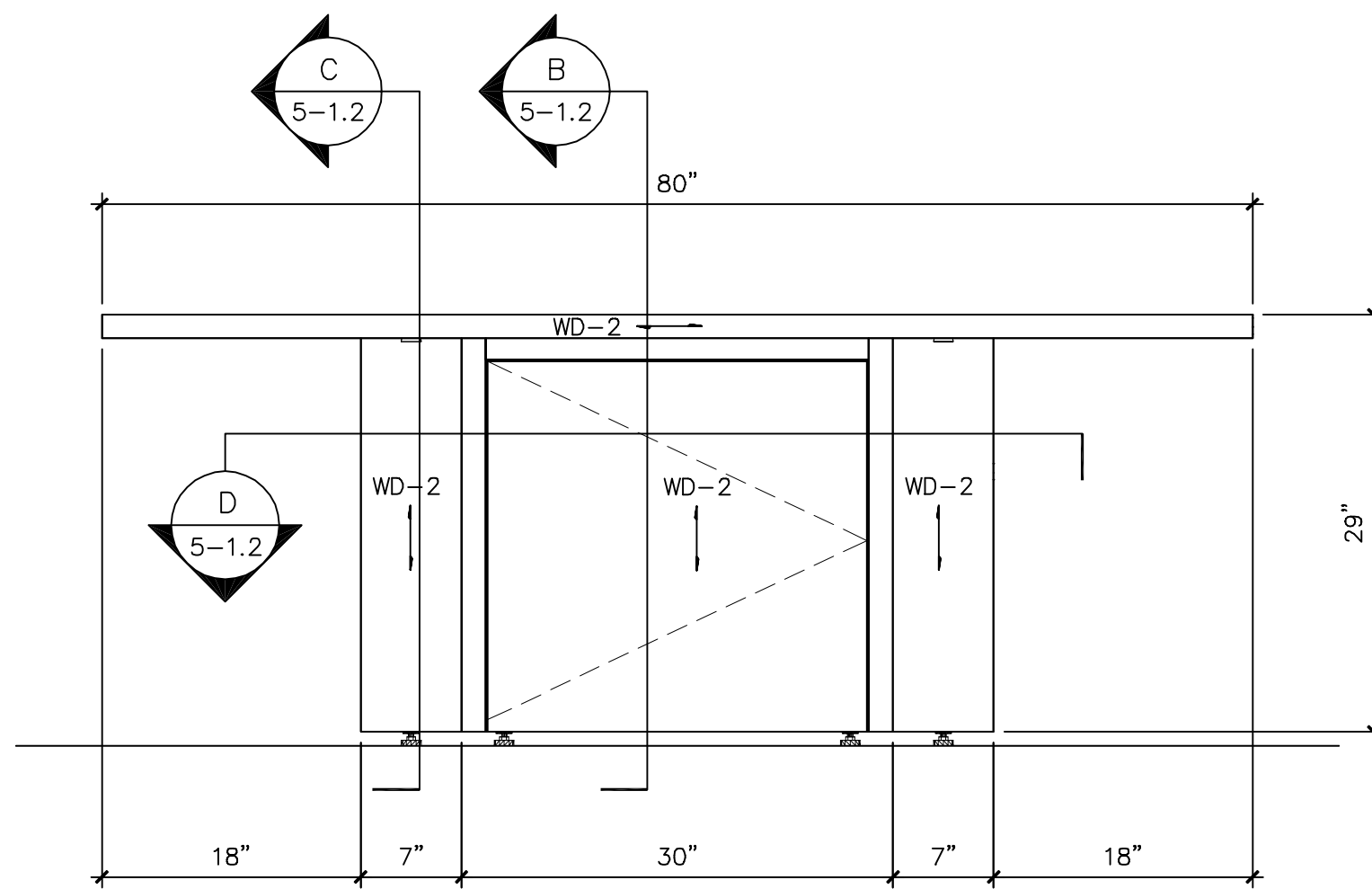
| | | | | | |
|------|---------|---------|---------|---------|---------|
| 1323 | 1323 AA | 1323 SG | DF-001A | DF-002A | DF-003A |
| | | | DF-001B | DF-002B | DF-003B |
| 1327 | 1327 AA | 1327 SG | DF-004A | DF-005A | DF-006A |
| | | | DF-004B | DF-005B | DF-006B |
| 1334 | 1334 AA | 1334 SG | DF-007A | DF-008A | DF-009A |
| | | | DF-007B | DF-008B | DF-009B |

TABLE BASE PART NUMBERS

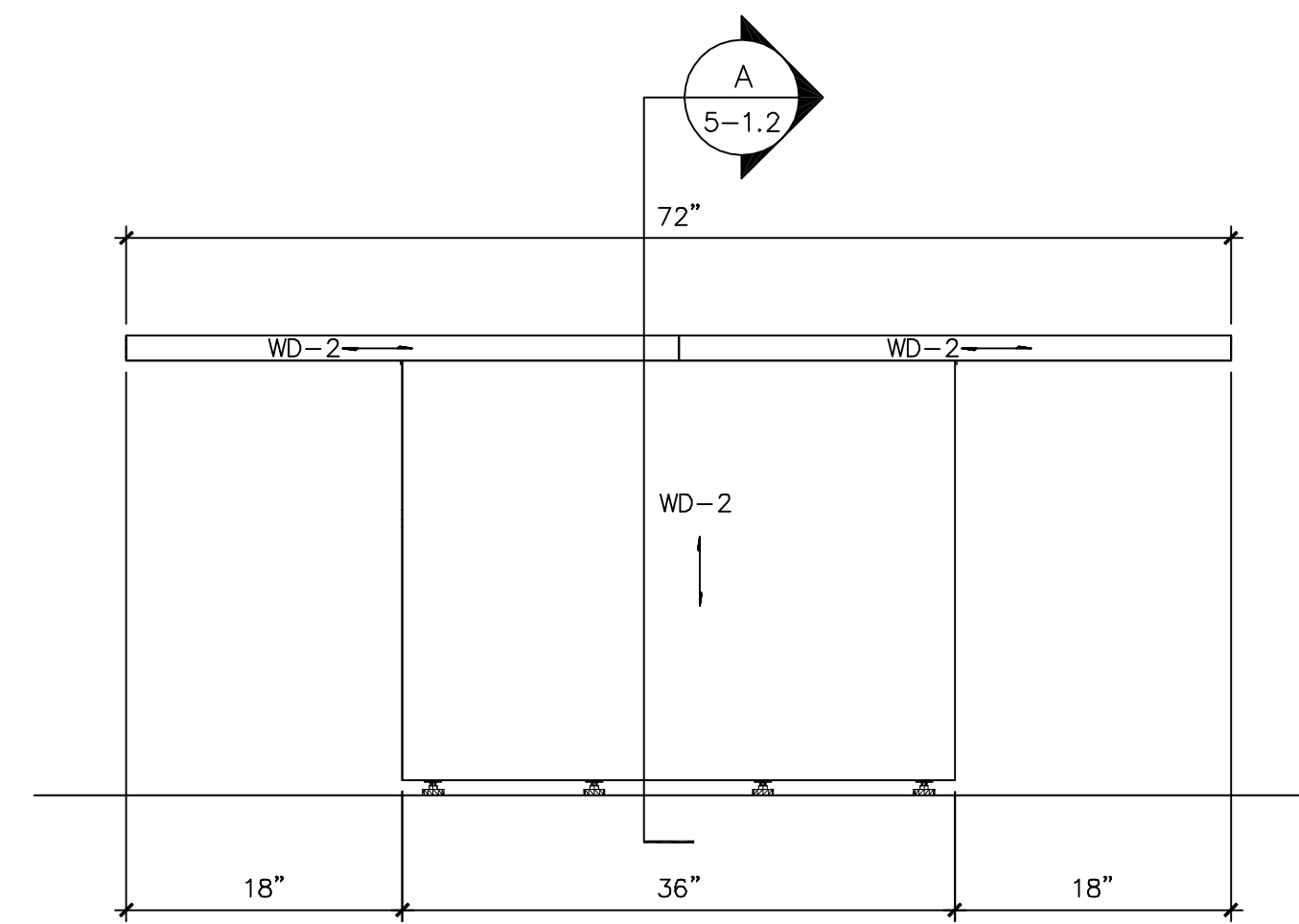
| | | | | |
|------|---------|---------|------------|--------|
| 1342 | 1342 AA | 1342 AB | DF-A1 THRU | DF-A20 |
| | | | DF-B1 THRU | DF-B20 |
| | 1342 SG | 1342 SH | DF-C1 THRU | DF-C20 |
| 1350 | 1350 AA | 1350 AB | DF-A1 THRU | DF-A20 |
| | | | DF-B1 THRU | DF-B20 |
| | 1350 SG | 1350 SH | DF-C1 THRU | DF-C20 |
| 1351 | 1351 AA | 1351 AB | DF-A1 THRU | DF-A20 |
| | | | DF-B1 THRU | DF-B20 |
| | 1351 SG | 1351 SH | DF-C1 THRU | DF-C20 |



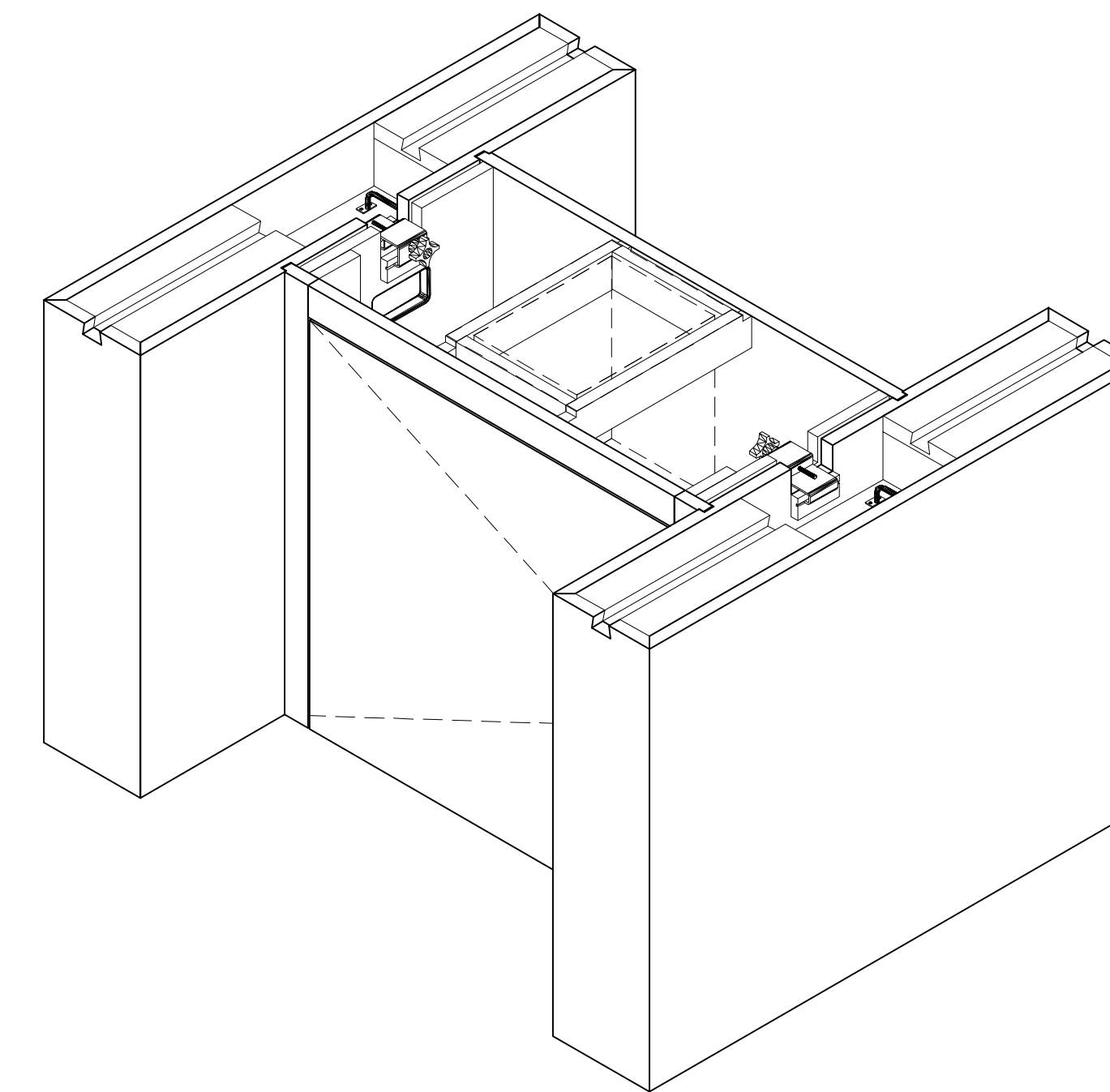
D ISOMETRIC VIEW
 5-1.1 SCALE: 1" = 1'-0"
 ARCH. REF: SK-3



B ELEVATION
 5-1.1 SCALE: 1" = 1'-0"
 ARCH. REF: SK-3



C ELEVATION
 5-1.1 SCALE: 1" = 1'-0"
 ARCH. REF: SK-3



E ISOMETRIC VIEW OF BASE
 5-1.1 SCALE: 1" = 1'-0"
 ARCH. REF: SK-3

NOTES:

FINISHES:

WD-1: BLOCK MOTTLE MAKORE
 WD-2: QUARTER SLICED MAKORE

CABINET HARDWARE:

HINGES: BLUM 125' CONCEALED FREE SWING
 CATCH: HAFELE #245.61.126 TOUCH LATCH
 PULLS : STANLEY #SP482, BRIGHT ZINC
 LEVELERS: SELBY #G-450-5/16x2
 GANGING CLAMPS: DOUG MOCKETT #GC1
 TABLE CATCH: HAFELE #642.39.827
 PEG AND SLEEVE CONNECTOR:
 HAFELE #642.51.243
 POP-UP UNIT: FSR PTB-3, POP-UP TABLE
 BOXES, 3 GANG OPENING, AC CONNECTION
 ON EACH SIDE AND BLACK COVER.

DOUBLE CHECK BY: _____ DATE: _____

FIELD LAYOUT BY: _____ DATE: _____

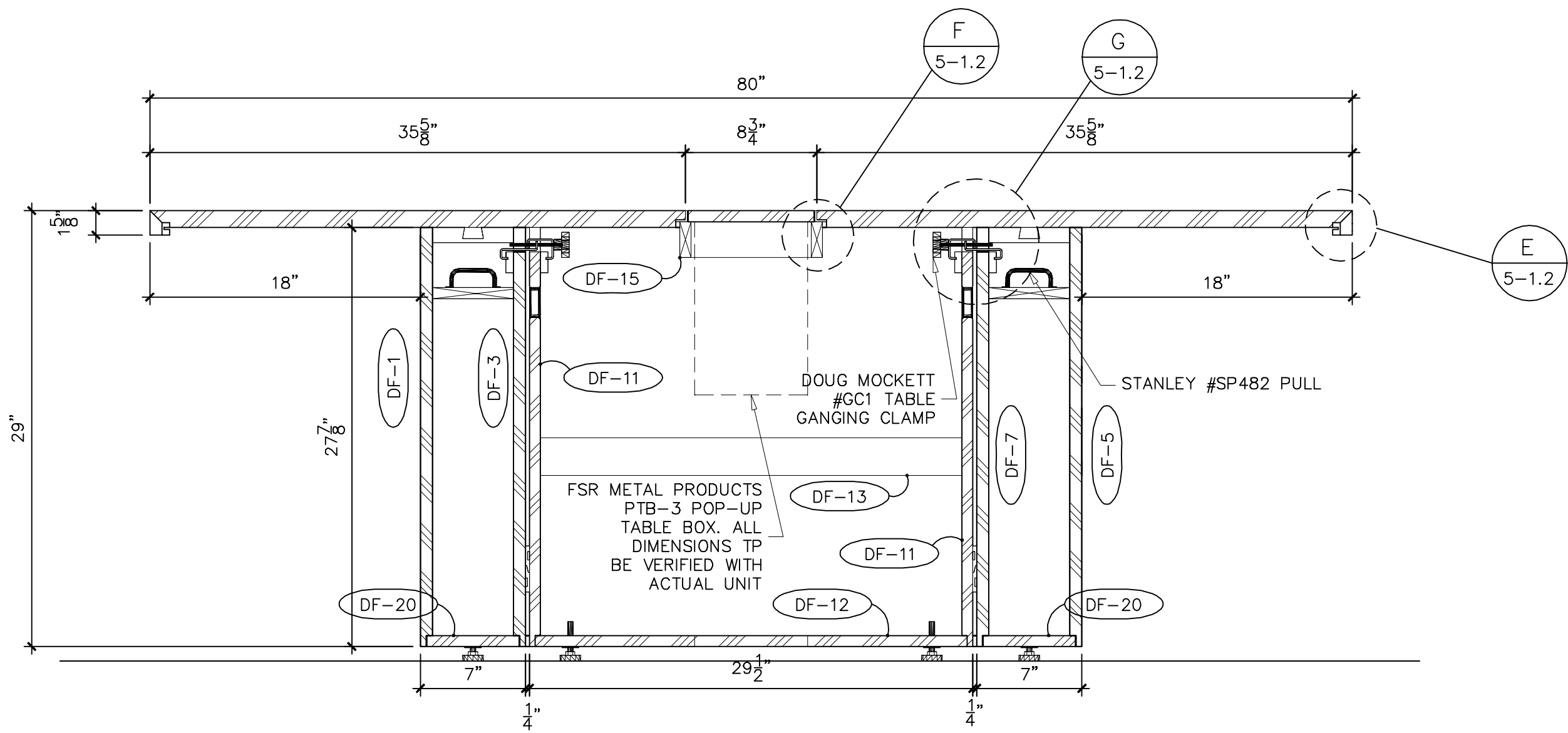
| |
|------------|
| 7. |
| 6. |
| 5. |
| 4. |
| 3. |
| 2. |
| 1. |
| REVISIONS: |

JOB NAME:
 COPORATE OFFICE
 HOUSTON, TEXAS

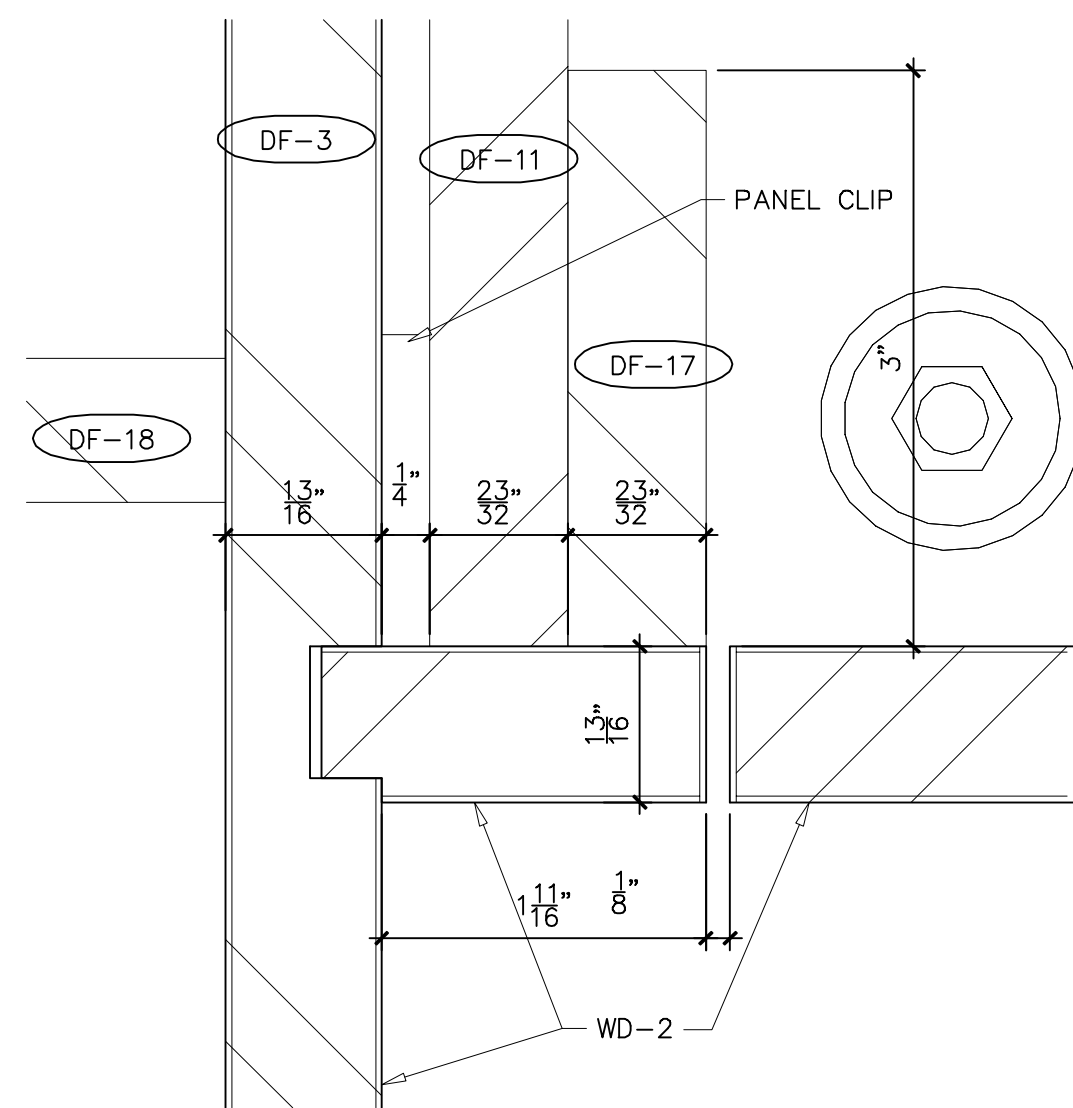
DRAWING NAME:
 LARGE TABLE SECTION
 (9) UNITS REQUIRED

DRAWN BY: _____ DRAWING DATE: 8/9/02

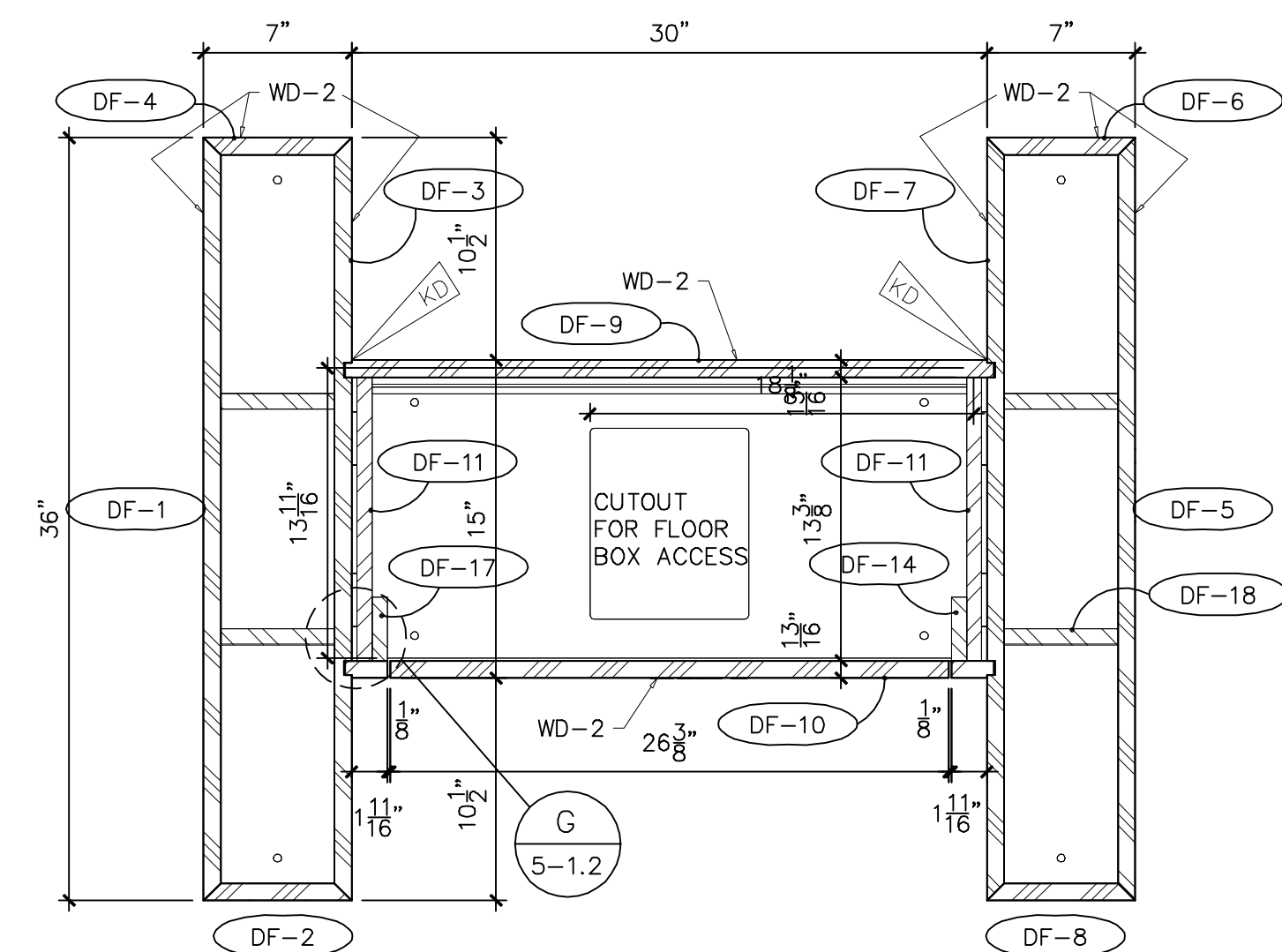
JOB NO. _____ DRAWING NO. 5-1.1



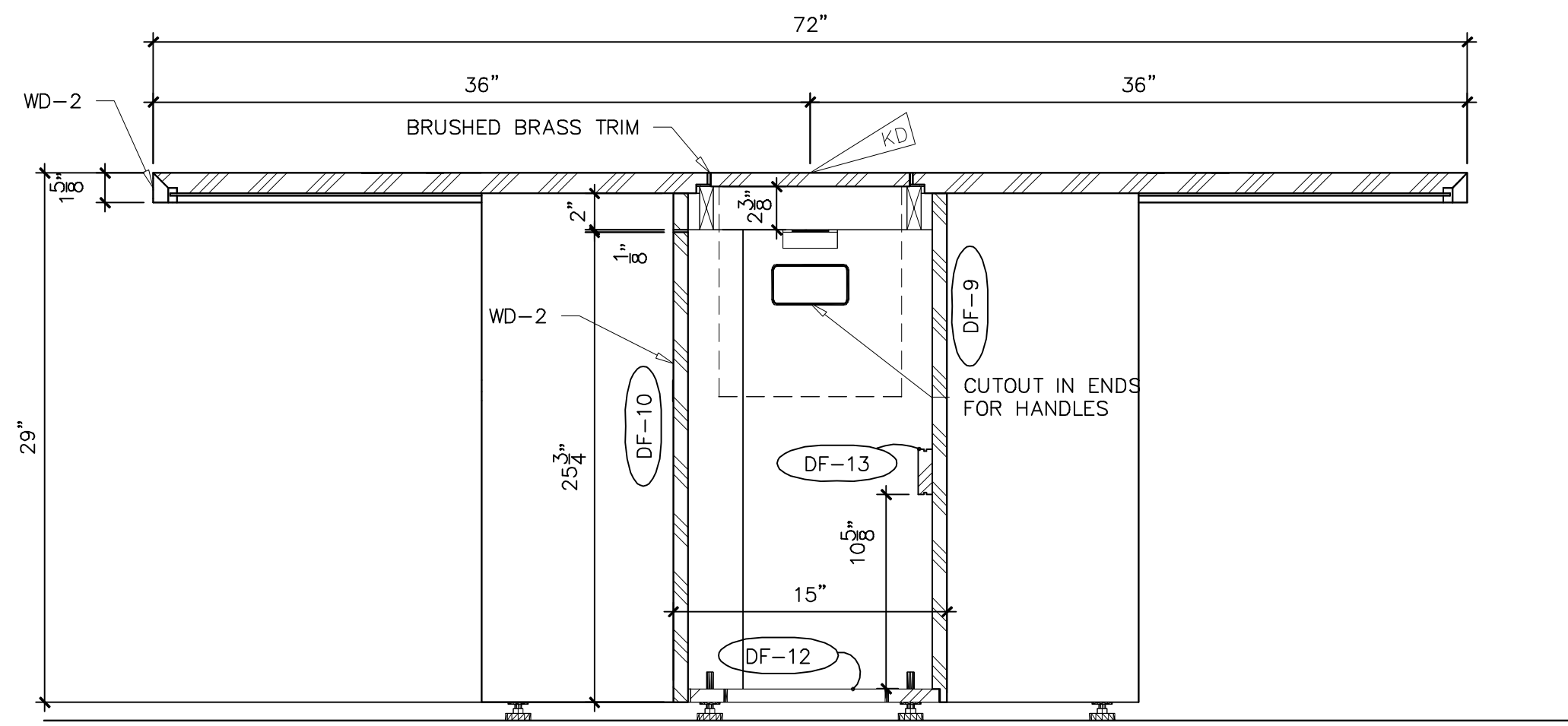
A VERTICAL SECTION
5-1.2 SCALE: 1-1/2" = 1'-0"
ARCH. REF: SK-3



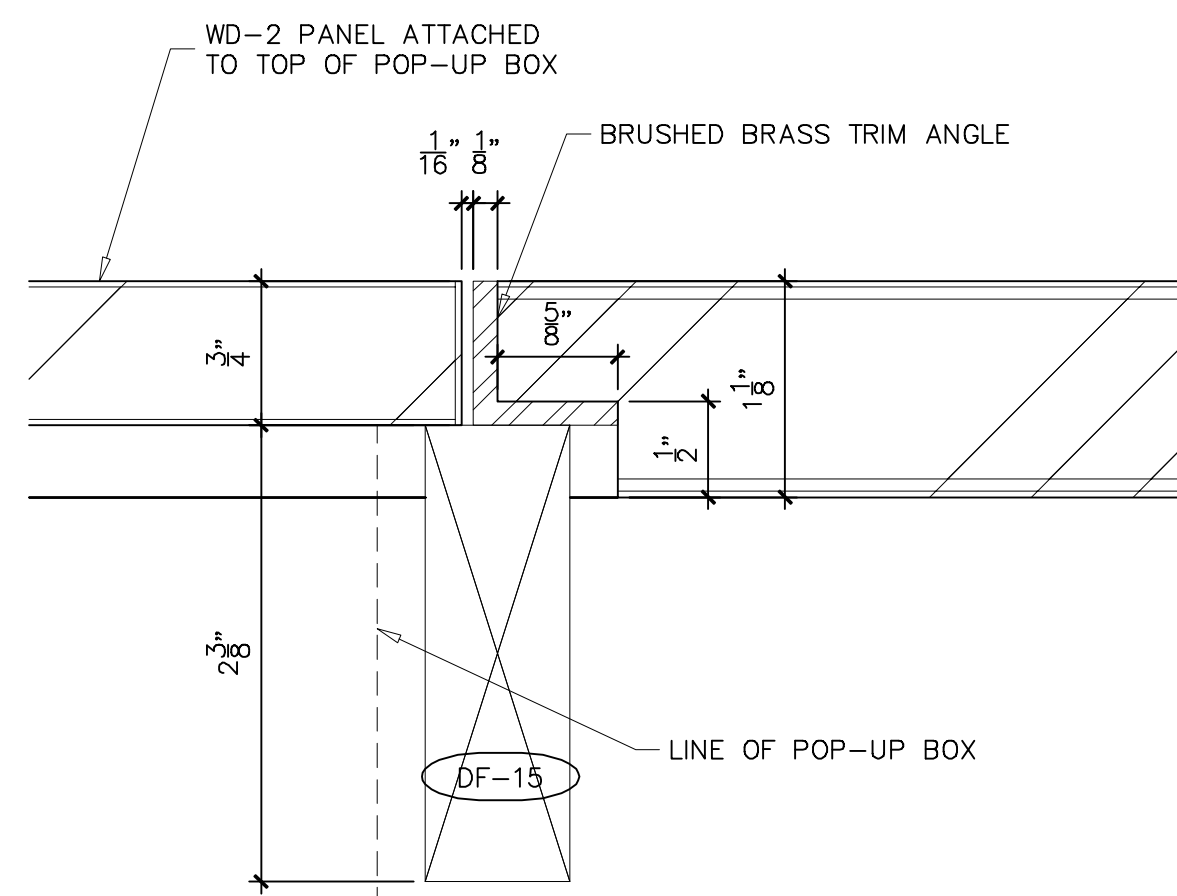
G DETAIL AT KD JOINT
5-1.2 SCALE: FULL
ARCH. REF:



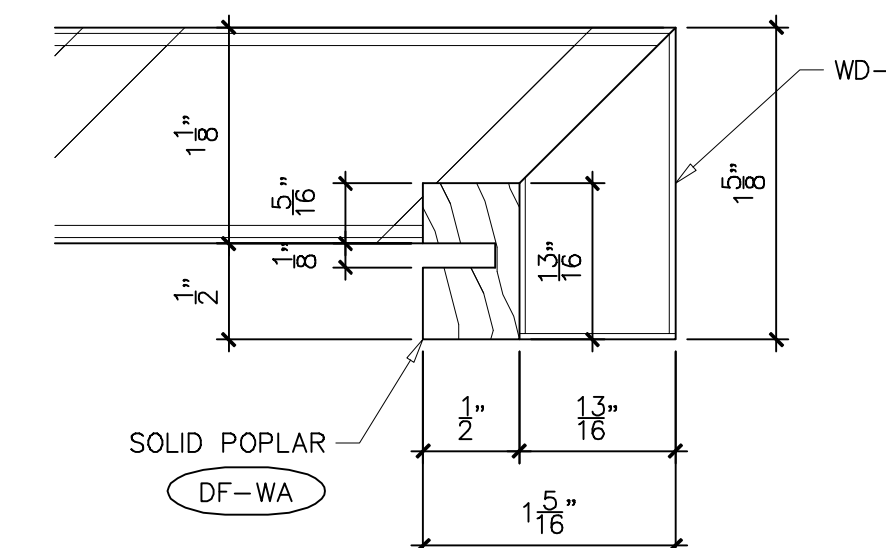
D HORIZONTAL SECTION
5-1.2 SCALE: 1-1/2" = 1'-0"
ARCH. REF: SK-3



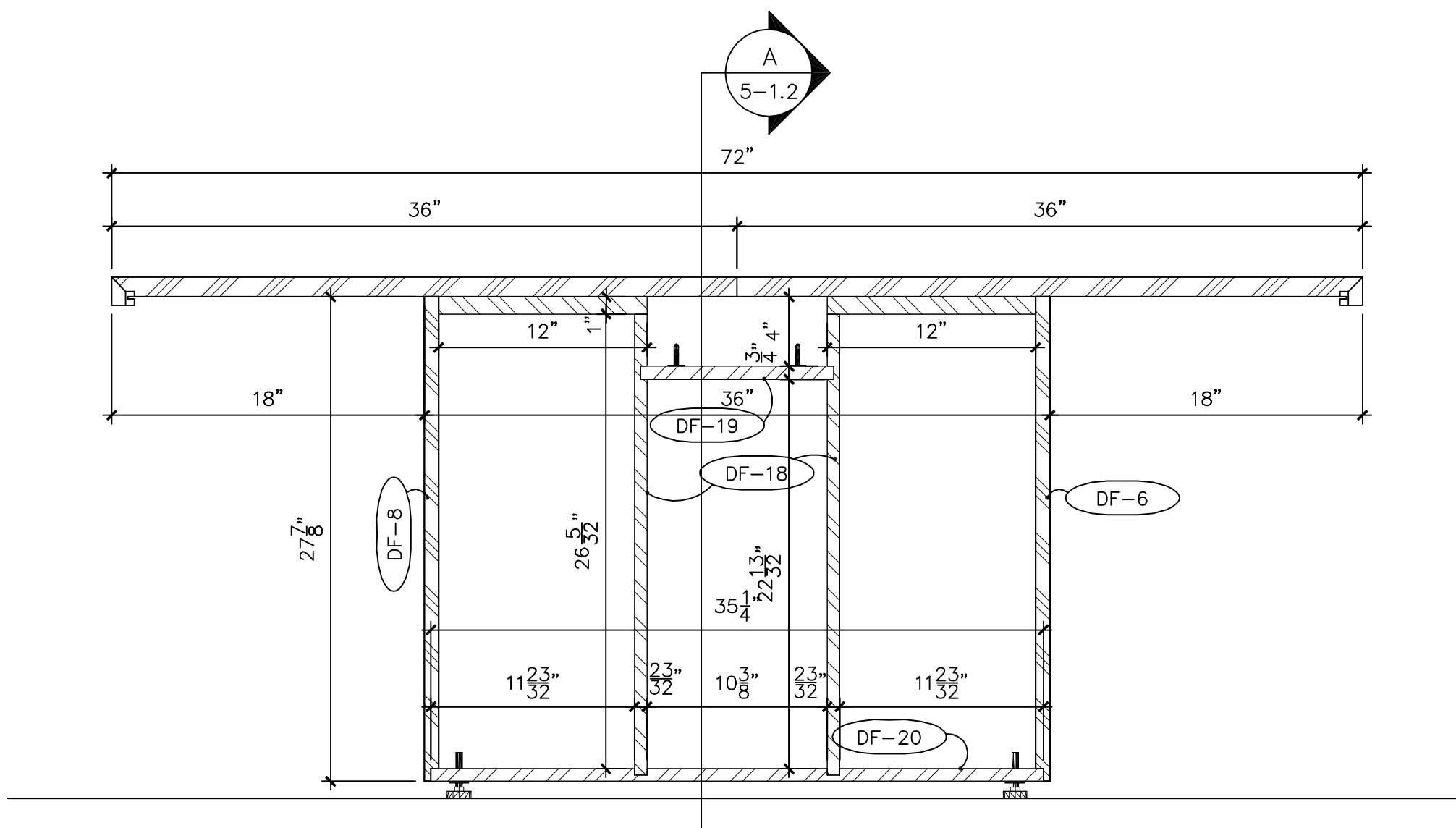
B VERTICAL SECTION
5-1.2 SCALE: 1-1/2" = 1'-0"
ARCH. REF: SK-3



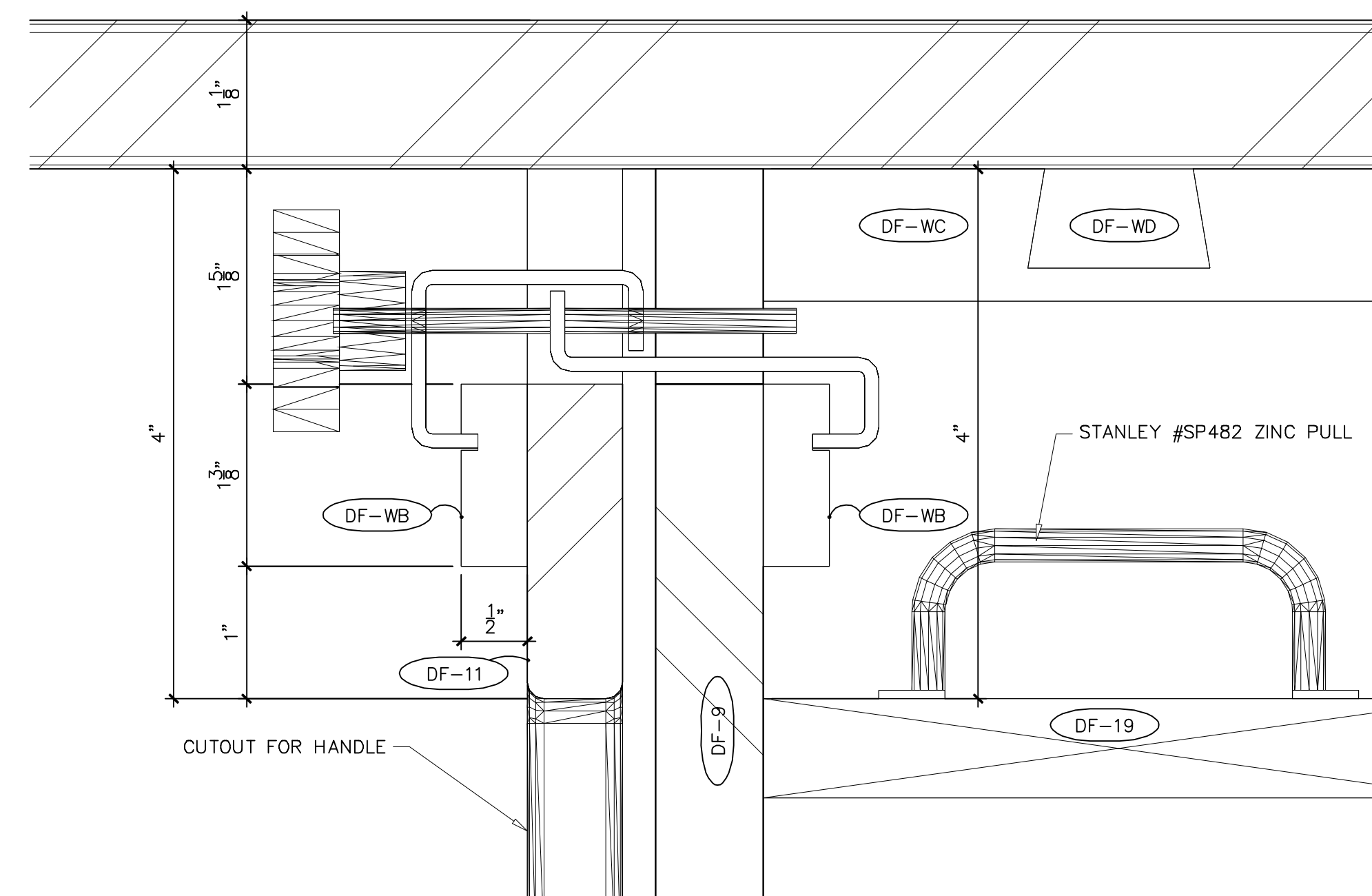
F POP-UP DETAIL
5-1.2 SCALE: FULL
ARCH. REF: SK-3



E TOP EDGE DETAIL
5-1.2 SCALE: FULL
ARCH. REF:



C VERTICAL SECTION
5-1.2 SCALE: 1-1/2" = 1'-0"
ARCH. REF: SK-3



G DETAIL AT CLAMP
5-1.2 SCALE: FULL
ARCH. REF:

NOTES:

DOUBLE CHECK BY: DATE:

FIELD LAYOUT BY: DATE:

| |
|----|
| 7. |
| 6. |
| 5. |
| 4. |
| 3. |
| 2. |
| 1. |

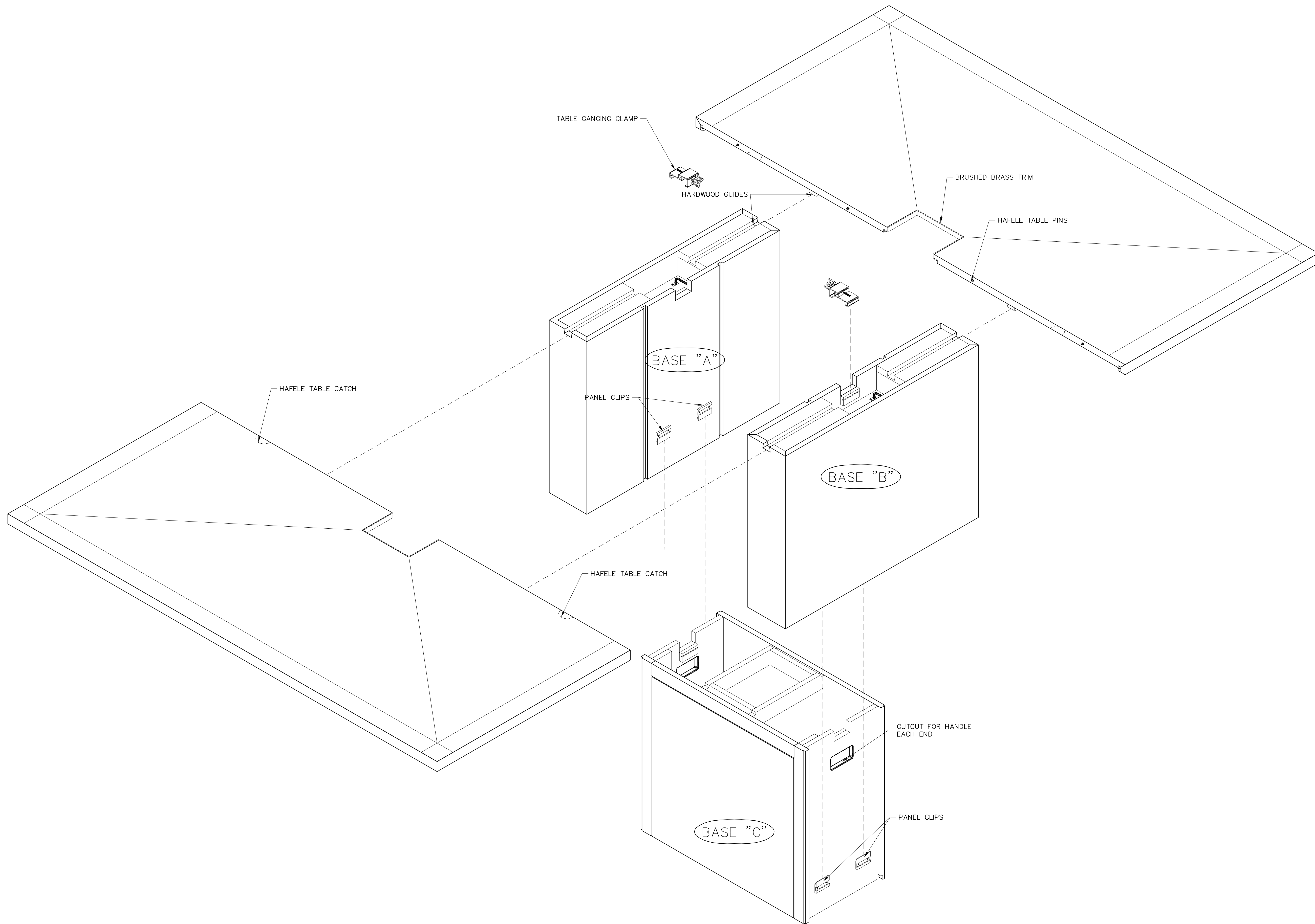
REVISIONS:

JOB NAME:
**COPORATE OFFICE
HOUSTON, TX**

DRAWING NAME:
**SECTIONS AND DETAILS
AT CONF. TABLE**

DRAWN BY: DATE:
8/10/02

JOB NO. DRAWING NO.
5-1.2



NOTES:

DOUBLE CHECK BY: DATE:

FIELD LAYOUT BY: DATE:

| |
|----|
| 7. |
| 6. |
| 5. |
| 4. |
| 3. |
| 2. |
| 1. |

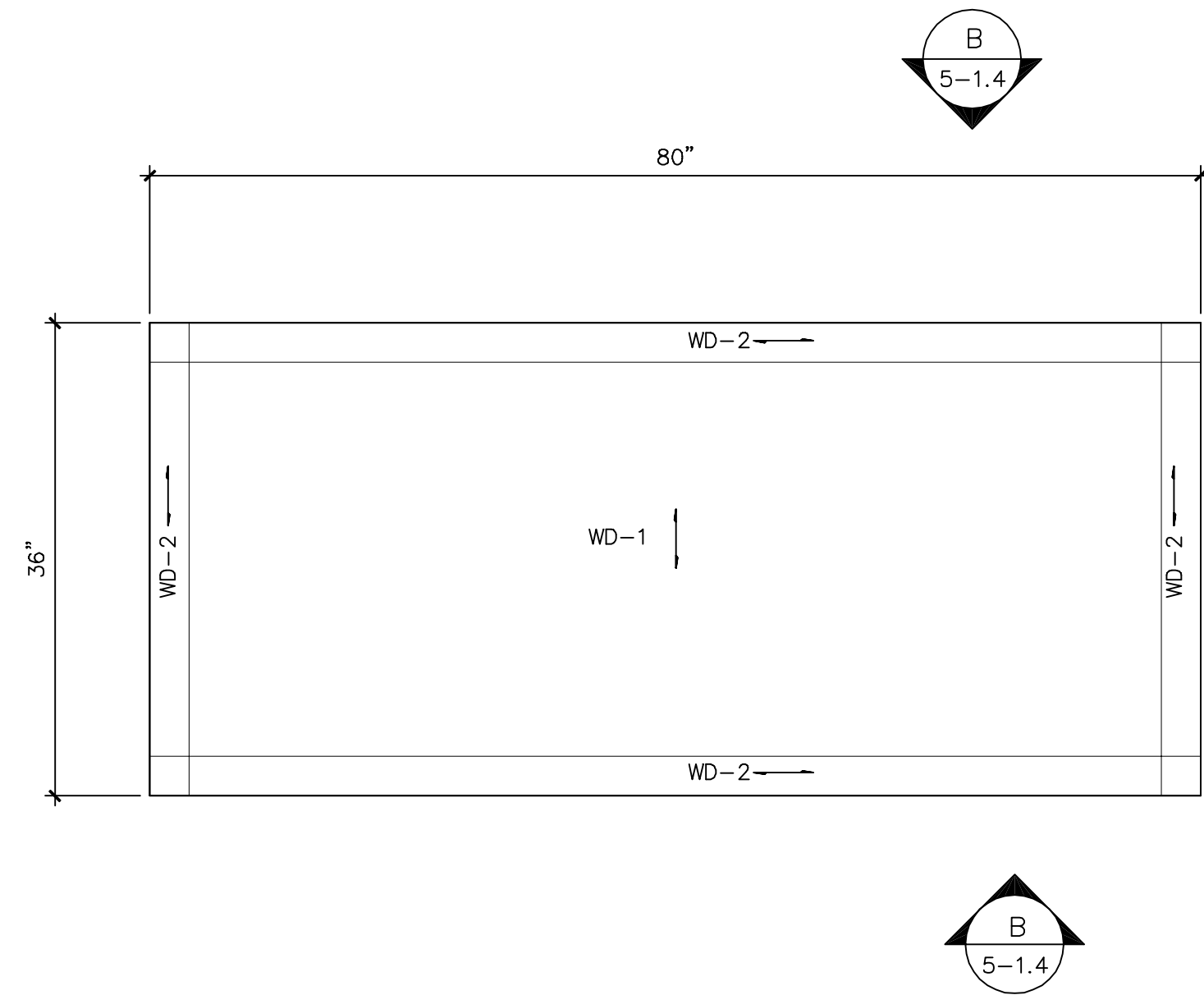
REVISIONS:

JOB NAME:
COPORATE OFFICE
HUSTON, TX

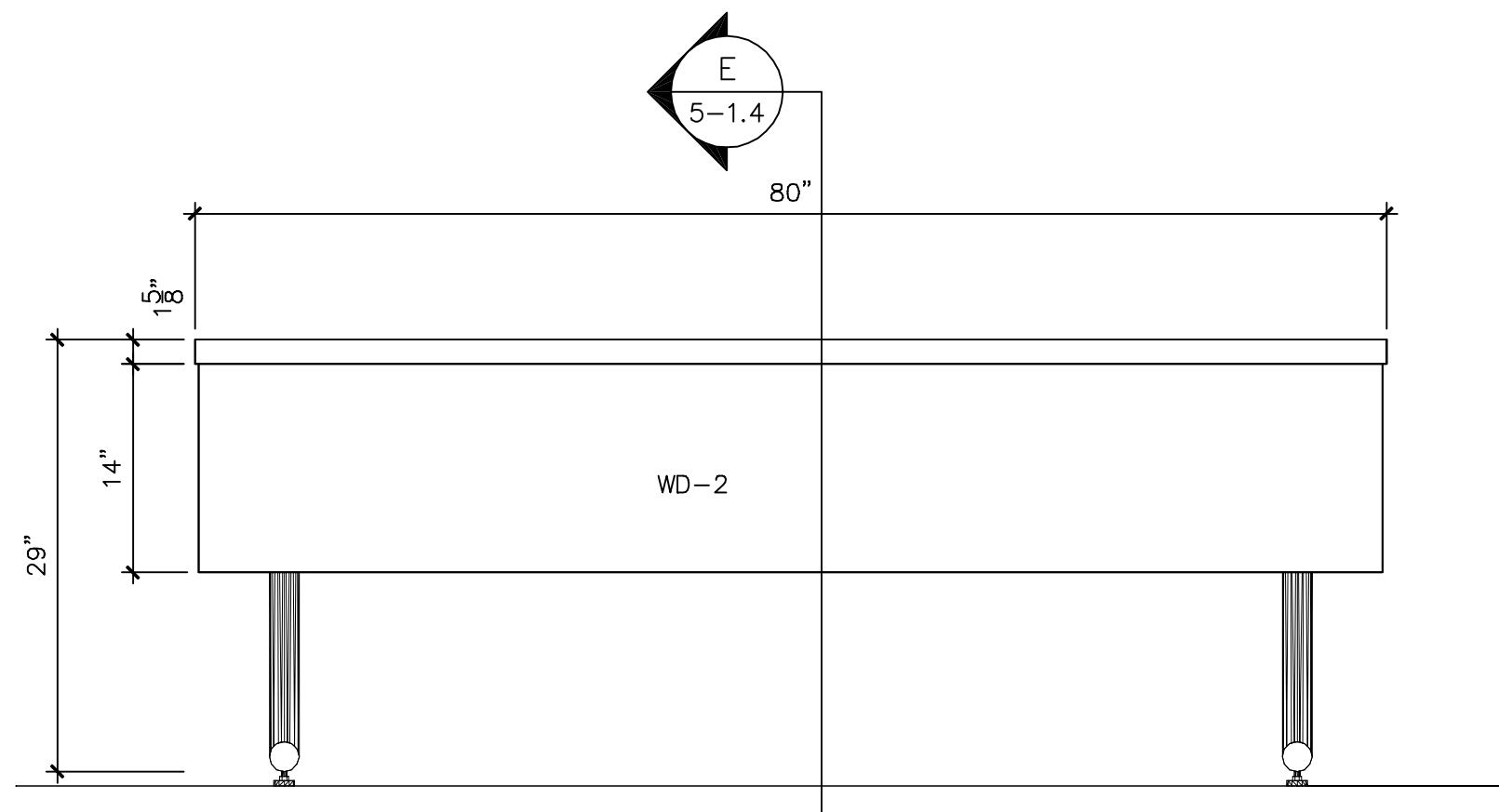
DRAWING NAME:
EXPLODED VIEW OF
KNOCK DOWN TABLE

DRAWN BY: DRAWING DATE:
8/10/02

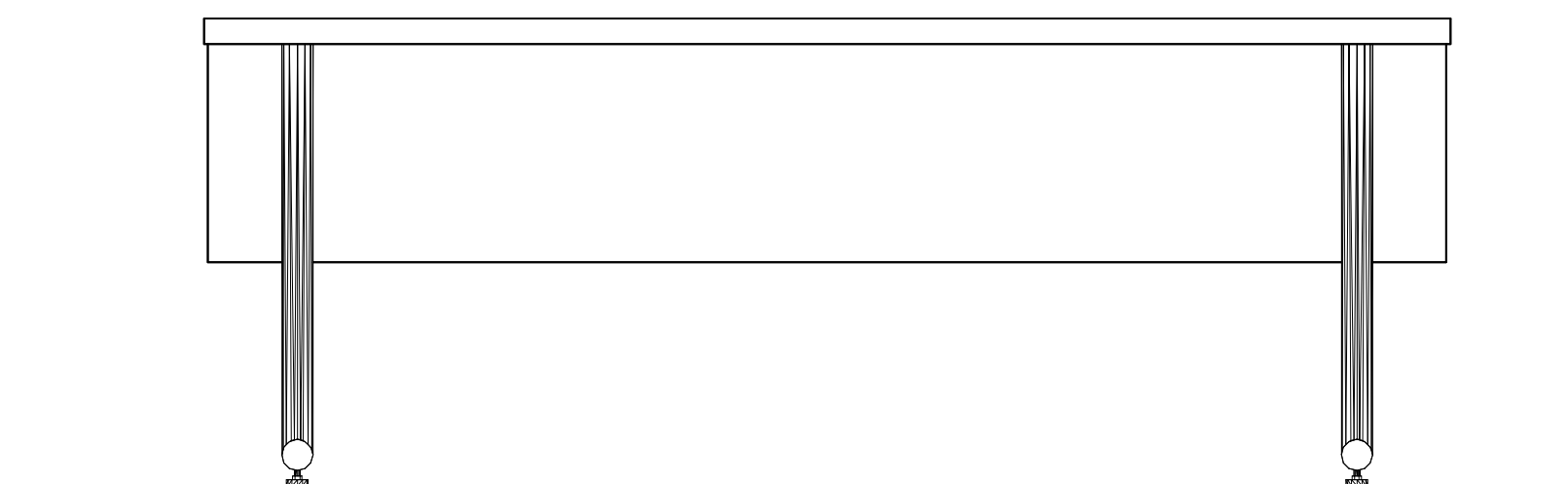
JOB NO. DRAWING NO.
5-1.3



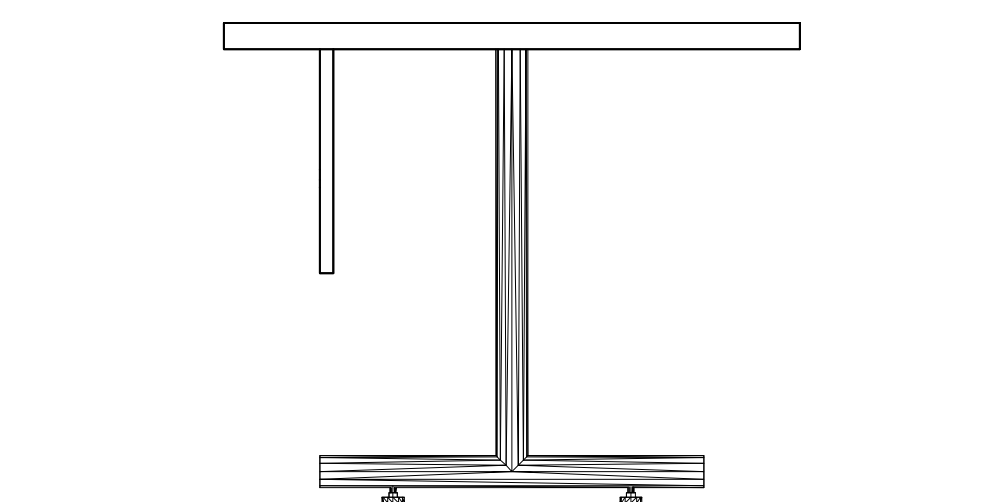
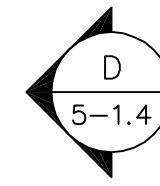
A PLAN VIEW OF TABLE
 5-1.4 SCALE: 1" = 1'- 0"
 ARCH. REF: SK-5



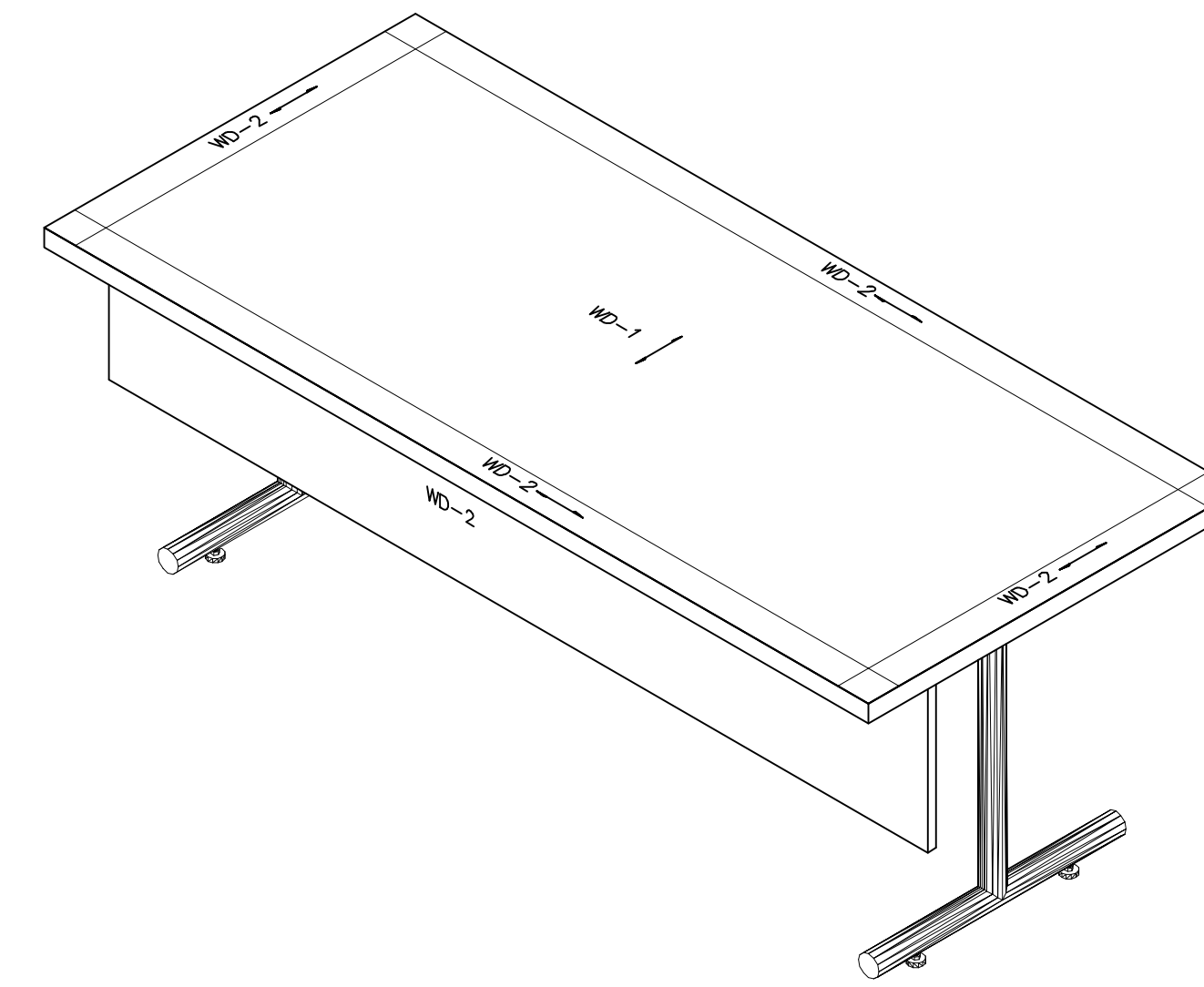
B ELEVATION
 5-1.4 SCALE: 1" = 1'- 0"
 ARCH. REF: SK-5



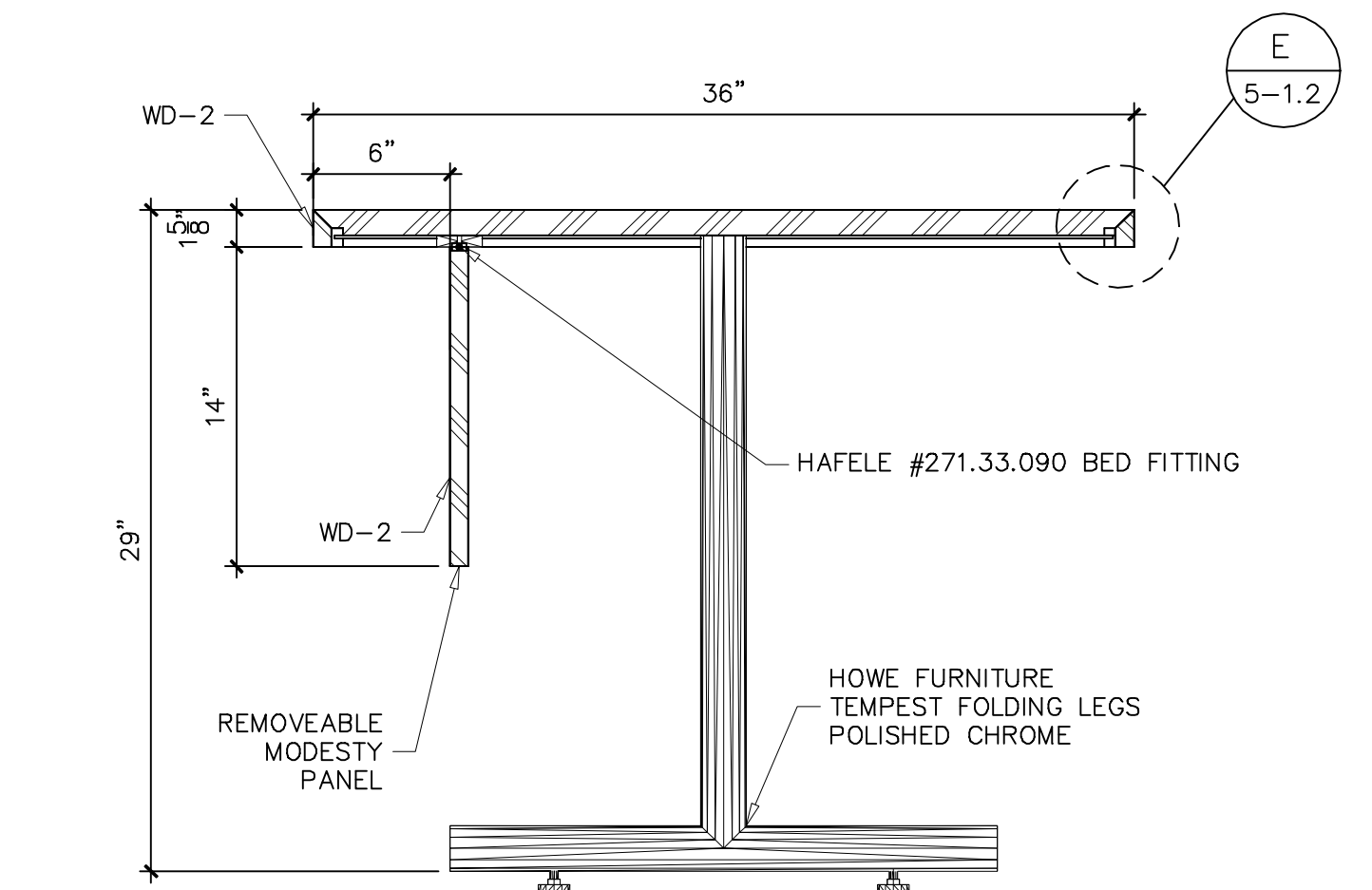
C ELEVATION
 5-1.4 SCALE: 1" = 1'- 0"
 ARCH. REF: SK-5



D ELEVATION
 5-1.4 SCALE: 1" = 1'- 0"
 ARCH. REF: SK-3



F ISOMETRIC VIEW
 5-1.4 SCALE: 1" = 1'- 0"
 ARCH. REF: SK-5



E VERTICAL SECTION
 5-1.4 SCALE: 1-1/2" = 1'- 0"
 ARCH. REF:

NOTES:

FINISHES:
 WD-1: BLOCK MOTTLE MAKORE
 WD-2: QUARTER SLICED MAKORE

CABINET HARDWARE:

BED FITTINGS: HAFELE #271.33.090

1352
 RUN 1 (4 OF 8) TABLES

1379
 RUN 2 (4 OF 8) TABLES

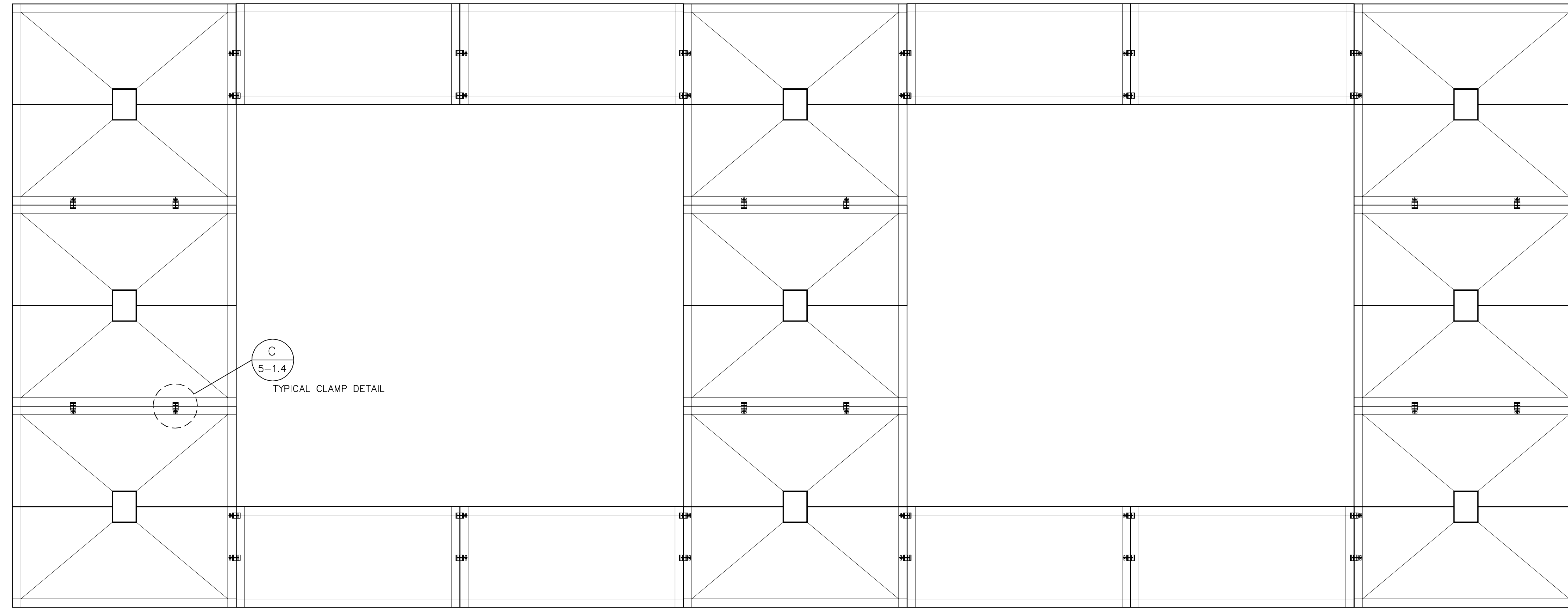
| | |
|------------------|-------|
| DOUBLE CHECK BY: | DATE: |
| FIELD LAYOUT BY: | DATE: |

| | |
|------------|---------------------------------|
| 7. | |
| 6. | |
| 5. | |
| 4. | |
| 3. | |
| 2. | |
| 1. | CHANGE SKIRT HEIGHT WP 10/10/02 |
| REVISIONS: | |

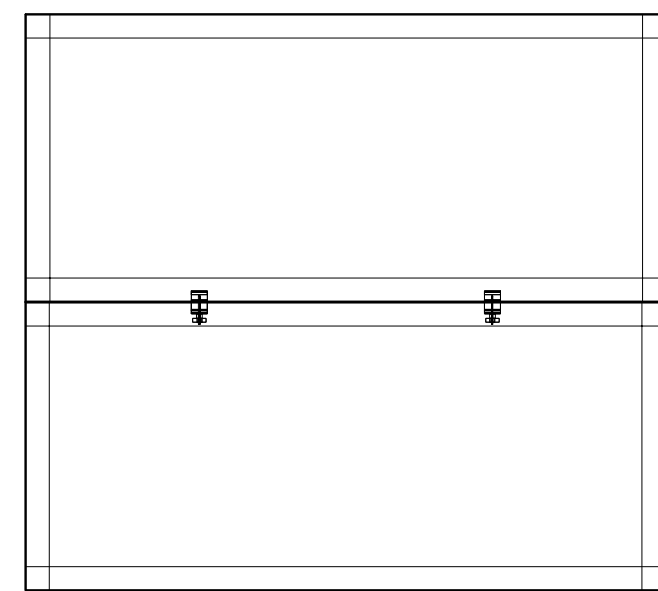
JOB NAME:
 COPORATE OFFICE
 HOUSTON, TEXAS

DRAWING NAME:
 SMALL TABLE SECTION
 (8) UNITS REQUIRED

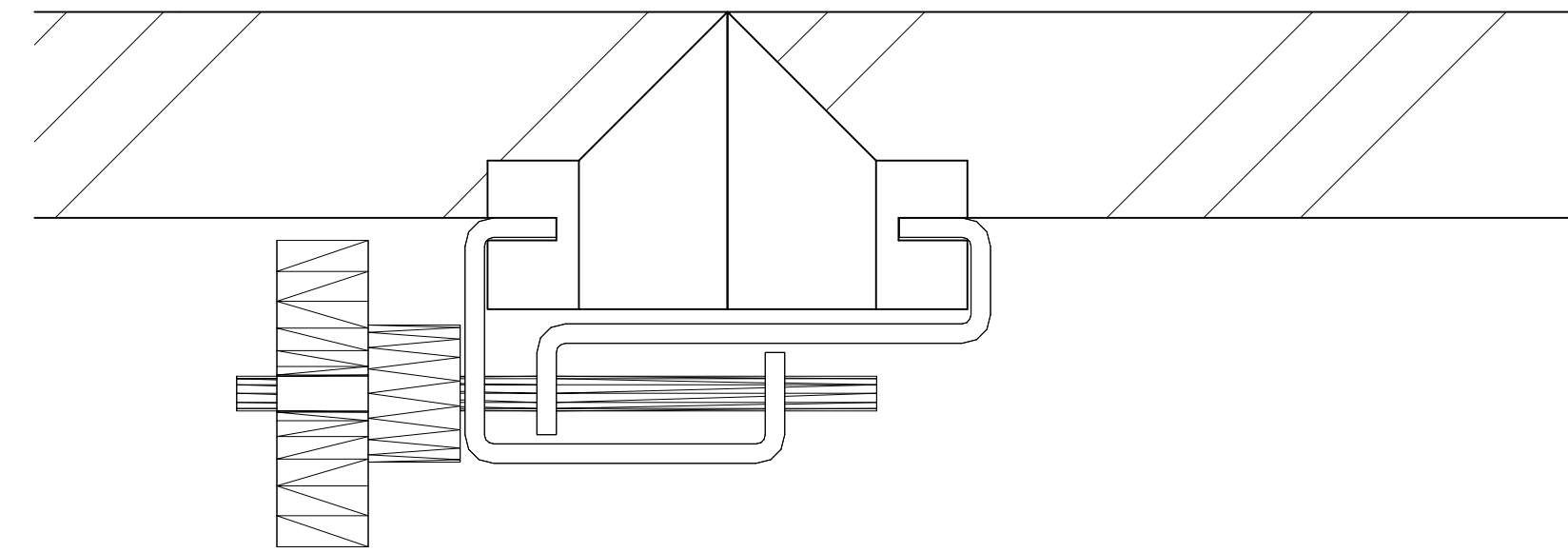
| | |
|-----------|--------------------------|
| DRAWN BY: | DRAWING DATE: 8/11/02 |
| JOB NO. | DRAWING NO. 5-1.4 |



A PLAN VIEW OF GANGED TABLES
 5-1.5 SCALE: 1/2" = 1'- 0"
 ARCH. REF: SK-4



B PLAN VIEW OF GANGED FOLDING TABLES
 5-1.5 SCALE: 1/2" = 1'- 0"
 ARCH. REF:



C DETAIL OF GANGING CLAMP
 5-1.5 SCALE: FULL
 ARCH. REF:

| |
|--|
| |
|--|

NOTES:

| | |
|--|--|
| | |
|--|--|

| | |
|------------------|-------|
| DOUBLE CHECK BY: | DATE: |
| | |
| FIELD LAYOUT BY: | DATE: |
| | |
| 7. | |
| 6. | |
| 5. | |
| 4. | |
| 3. | |
| 2. | |
| 1. | |
| REVISIONS: | |

JOB NAME:
 COPORATE OFFICE
 HOUSTON, TEXAS

DRAWING NAME:
 PLAN OF GANGED
 TABLES

| | |
|-----------|--------------------------|
| DRAWN BY: | DRAWING DATE: 8/11/02 |
| JOB NO.: | DRAWING NO. 5-1.5 |