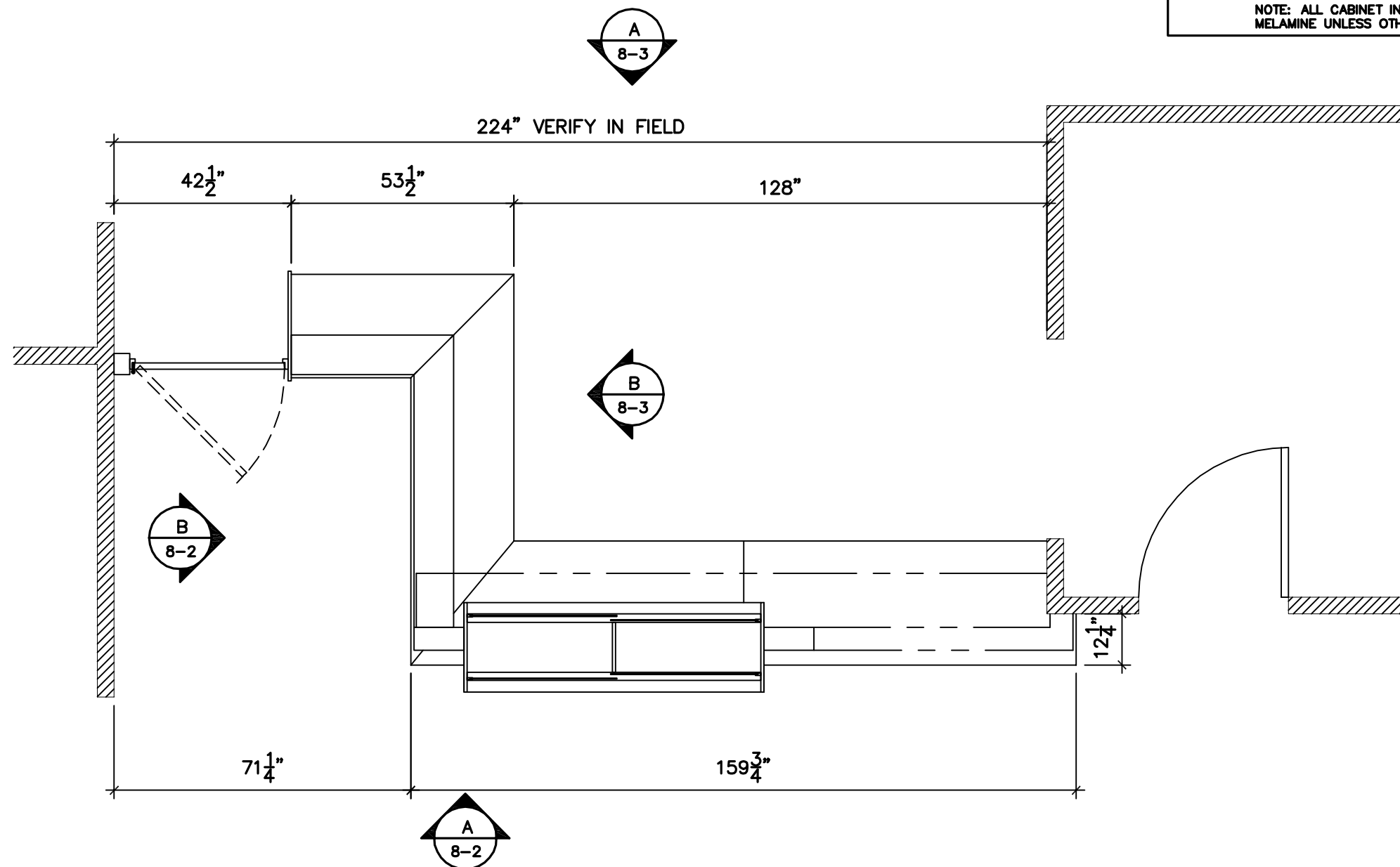


| HARDWARE LIST:  |  |
|---|--|
| QTY   | DESCRIPTION                                  |
| 42  | PULLS: WURTH #H603035C 4" BRUSHED CHROME     |
| 30  | HINGES: SALICE #C2J6A99 110° CONCEALED HINGE |
| 18 PR   | DRAWER SLIDES: GRASS ZARGEN 20" SLIDES       |
| 9 PR  | DRAWER SLIDES: GRASS ZARGEN 16" SLIDES       |
| FINISHES:   |  |
| PL-3  | WILSONART 4866-52 "JEWELLED CORAL"           |
| PL-4  | WILSONART D30-60 "NATURAL ALMOND"            |
| NOTE: ALL CABINET INTERIORS TO BE WHITE MELAMINE UNLESS OTHERWISE NOTED |  |



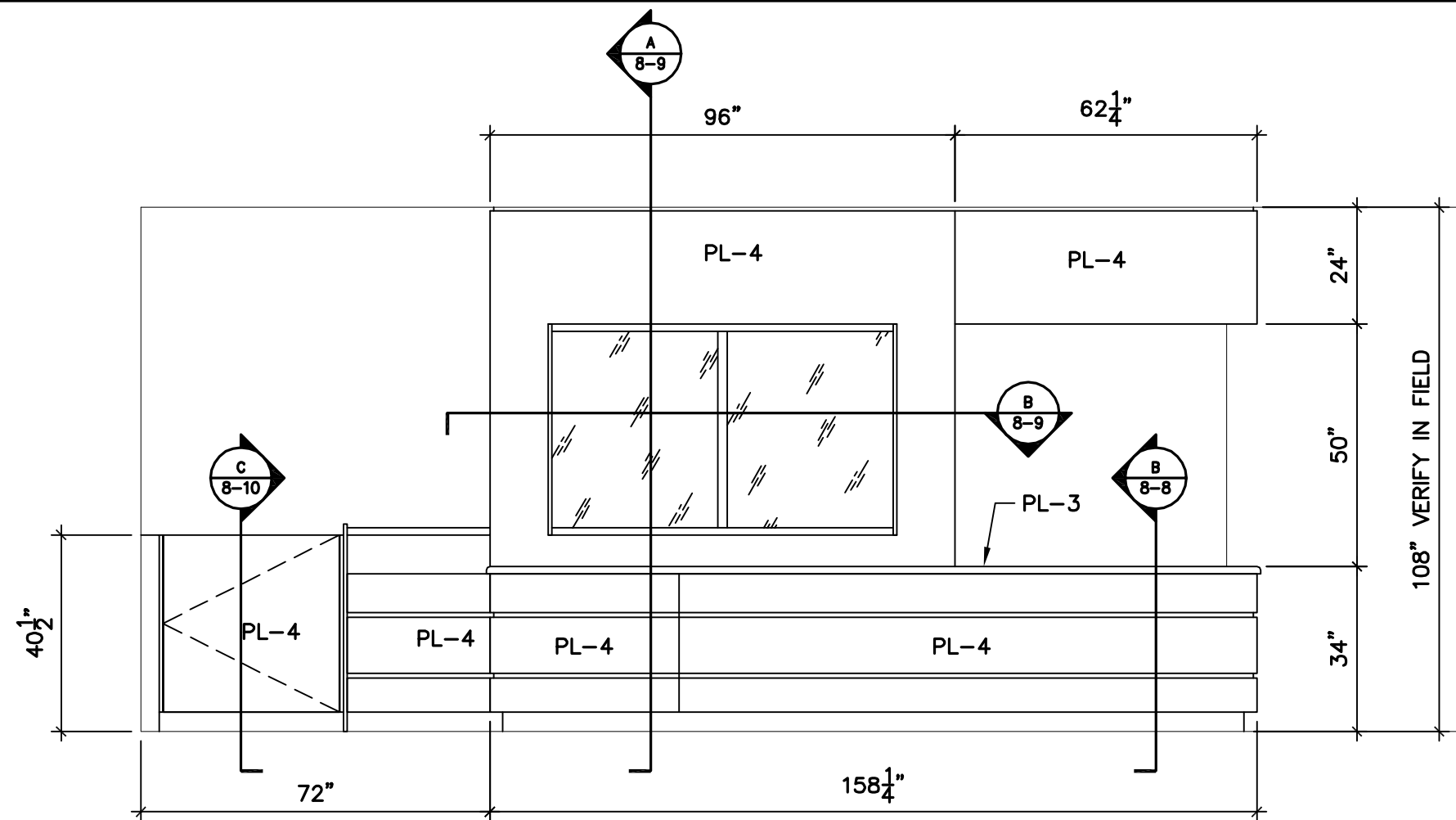
A PLAN @ PHARMACY 128  
8-1 SCALE: 3/8" = 1' 0"  
 ARCH. REF: ABD-65



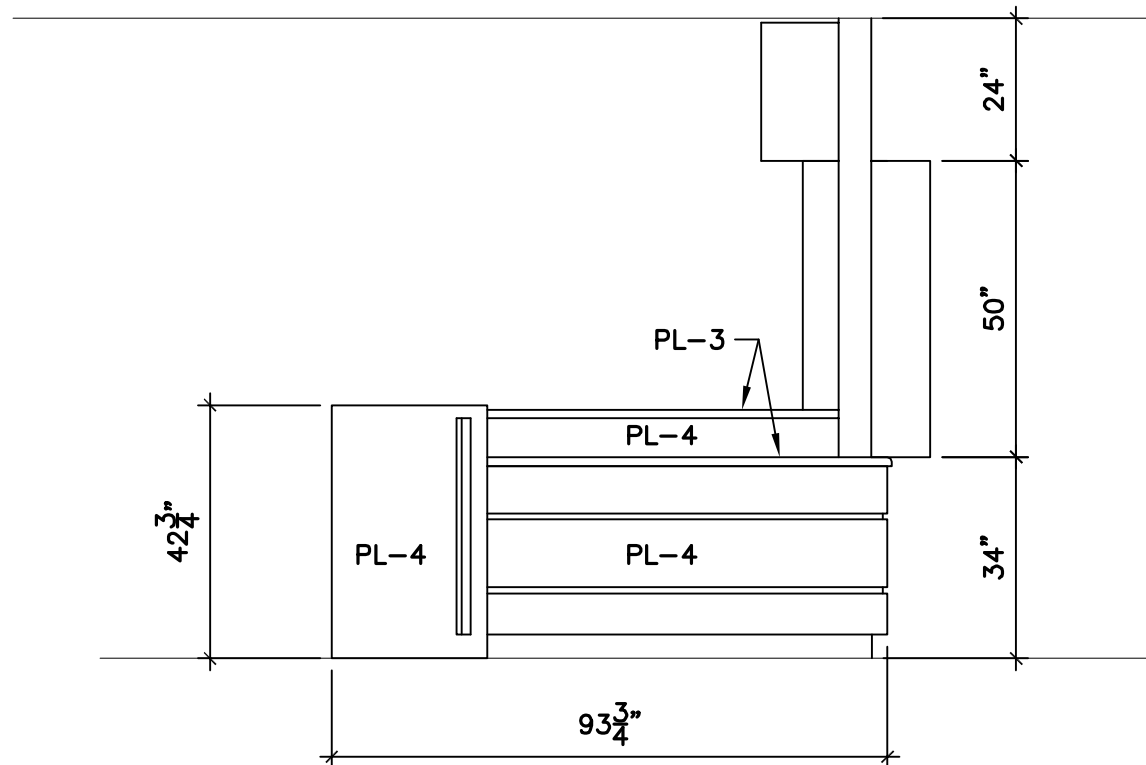
| REVISIONS | BY       |
|-----------|----------|
|           |          |
| JOB#      |          |
|           |          |
| DRAWN BY: | DATE     |
| TM        | 09/26/08 |

Job Name:

PAGE:  
**8-1**



**A**  
8-2 ELEVATION @ PHARMACY 128  
SCALE: 3/8" = 1' 0"  
ARCH. REF: ABD-66



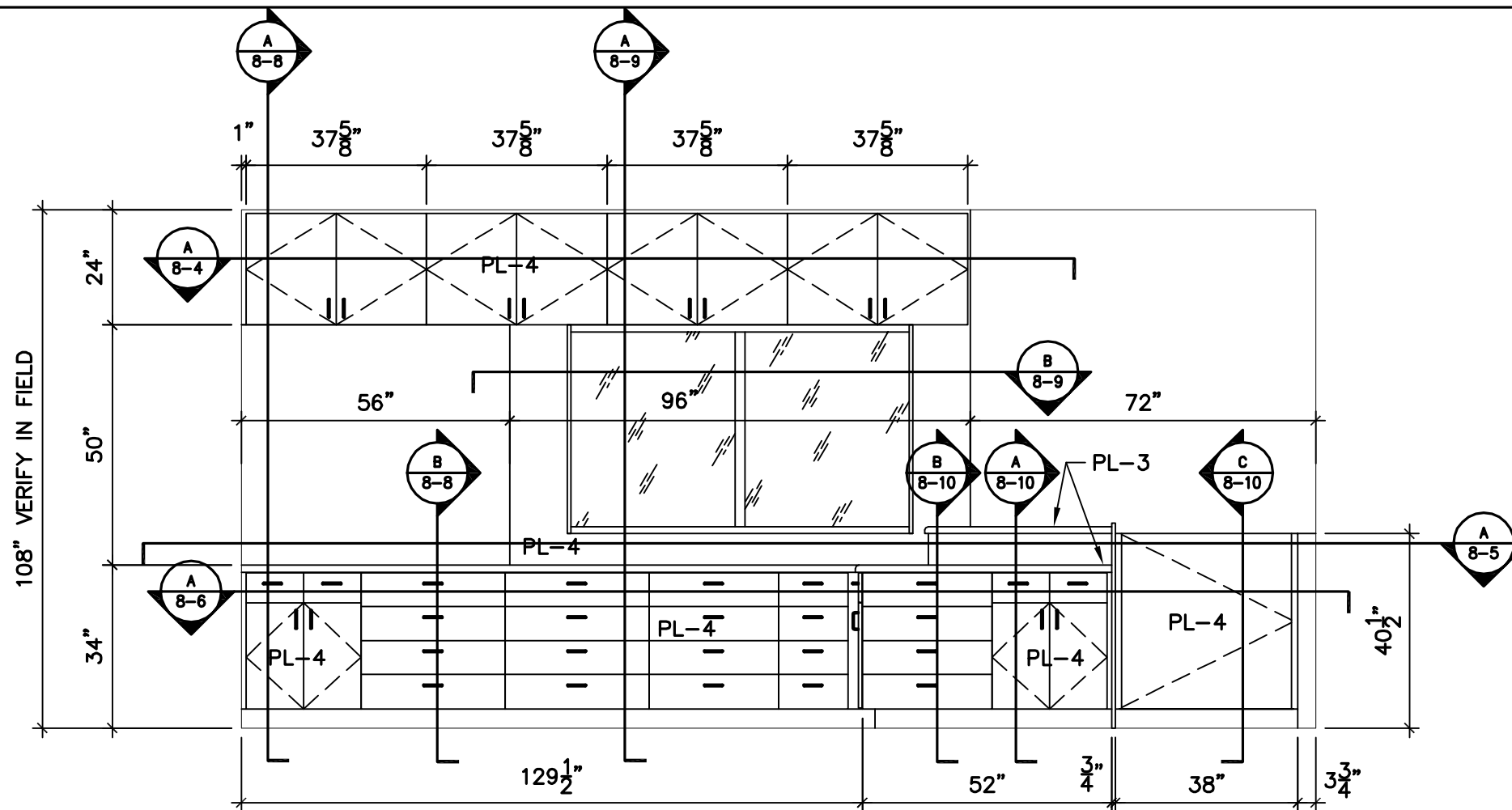
**B**  
8-2 ELEVATION @ PHARMACY 128  
SCALE: 3/8" = 1' 0"  
ARCH. REF: ABD-67



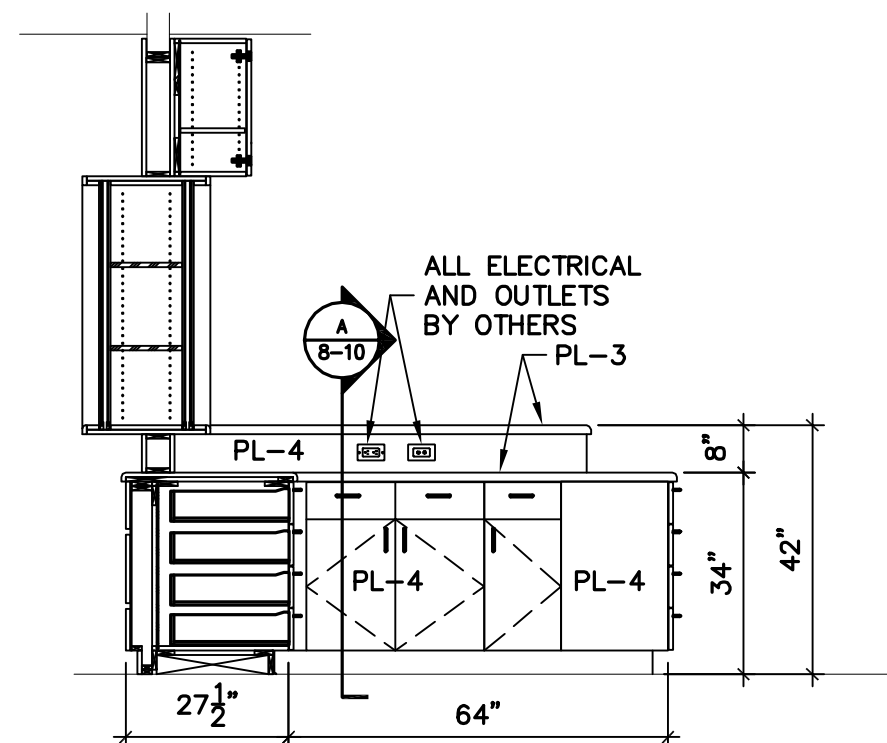
| REVISIONS | BY       |
|-----------|----------|
|           |          |
| JOB#      |          |
|           |          |
| DRAWN BY: | DATE     |
| TM        | 09/30/08 |

Job Name:

PAGE:  
**8-2**



**A**  
ELEVATION @ PHARMACY 128  
8-3 SCALE: 3/8" = 1' 0"  
ARCH. REF: ABD-68



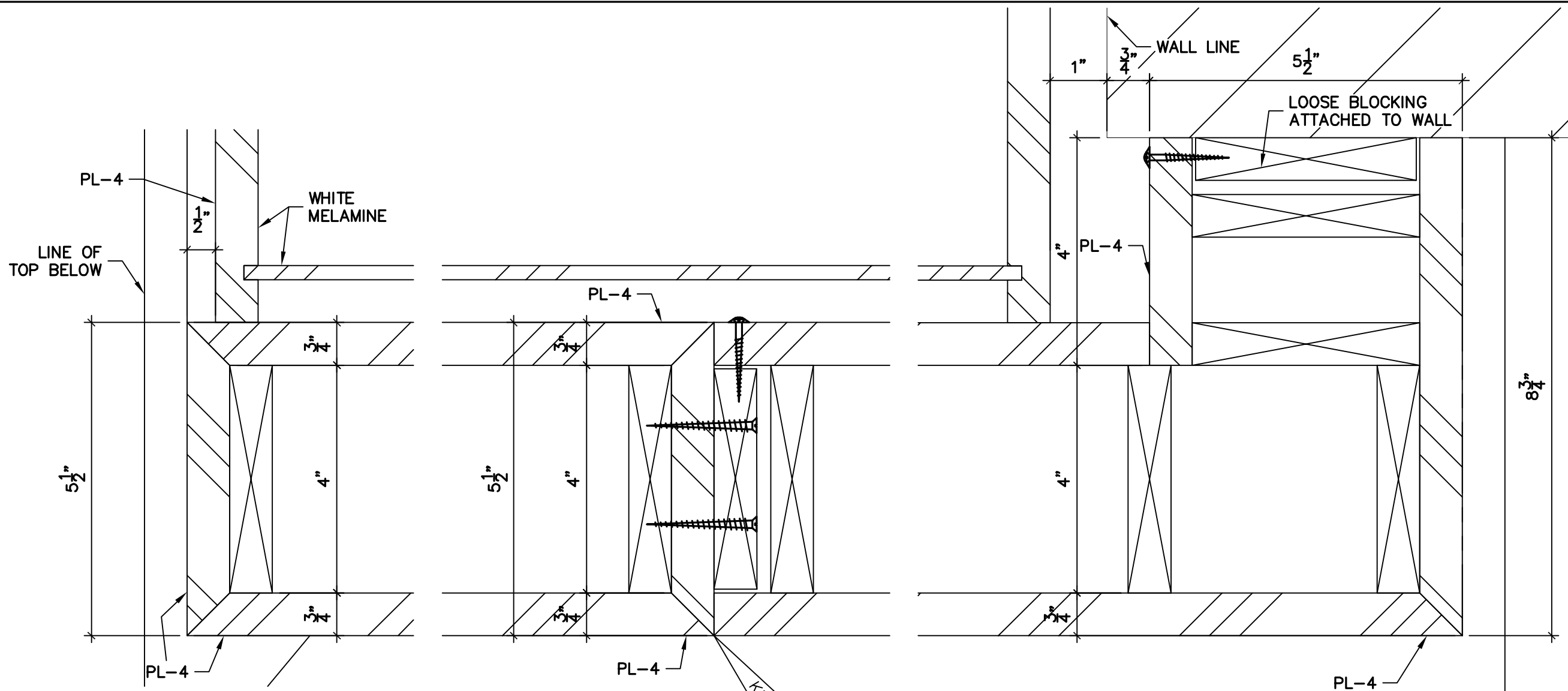
**B**  
ELEVATION @ PHARMACY 128  
8-3 SCALE: 3/8" = 1' 0"  
ARCH. REF: ABD-69



| REVISIONS | BY       |
|-----------|----------|
|           |          |
| JOB#      |          |
|           |          |
| DRAWN BY: | DATE     |
| TM        | 09/30/08 |

Job Name:

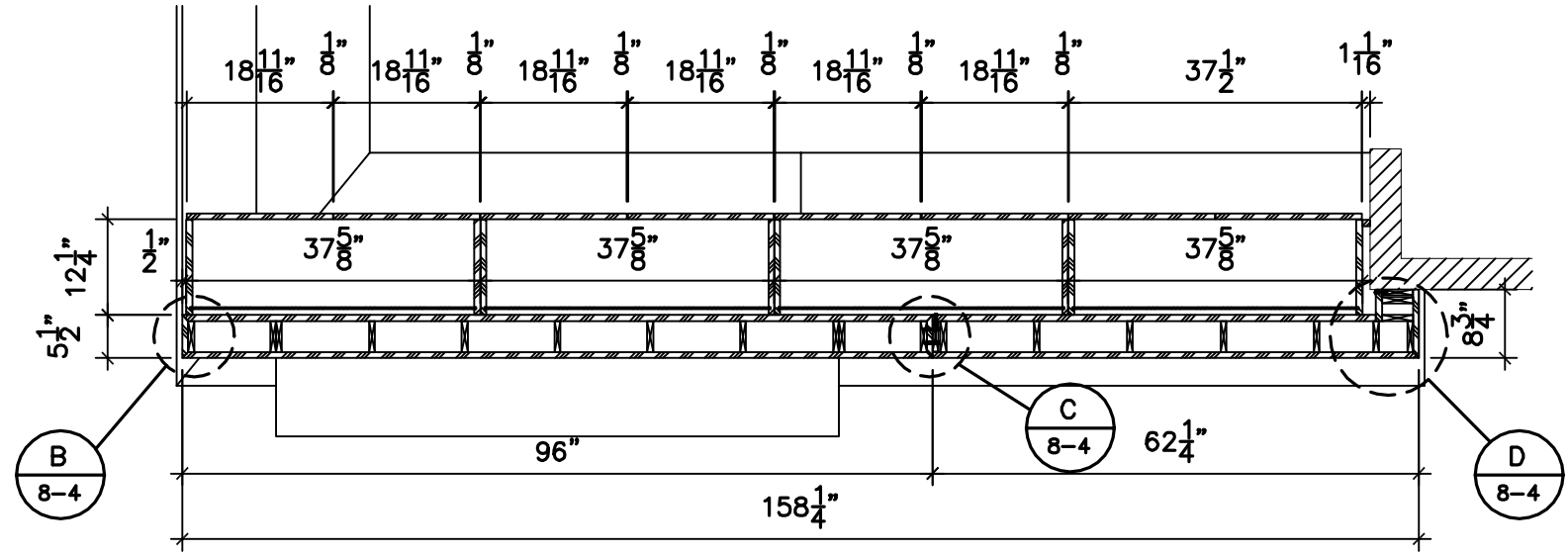
PAGE:  
**8-3**



**B** DETAIL  
8-4 SCALE: 6" = 1' 0"  
ARCH. REF: NONE

**C** DETAIL  
8-4 SCALE: 6" = 1' 0"  
ARCH. REF: NONE

**D** DETAIL  
8-4 SCALE: 6" = 1' 0"  
ARCH. REF: NONE



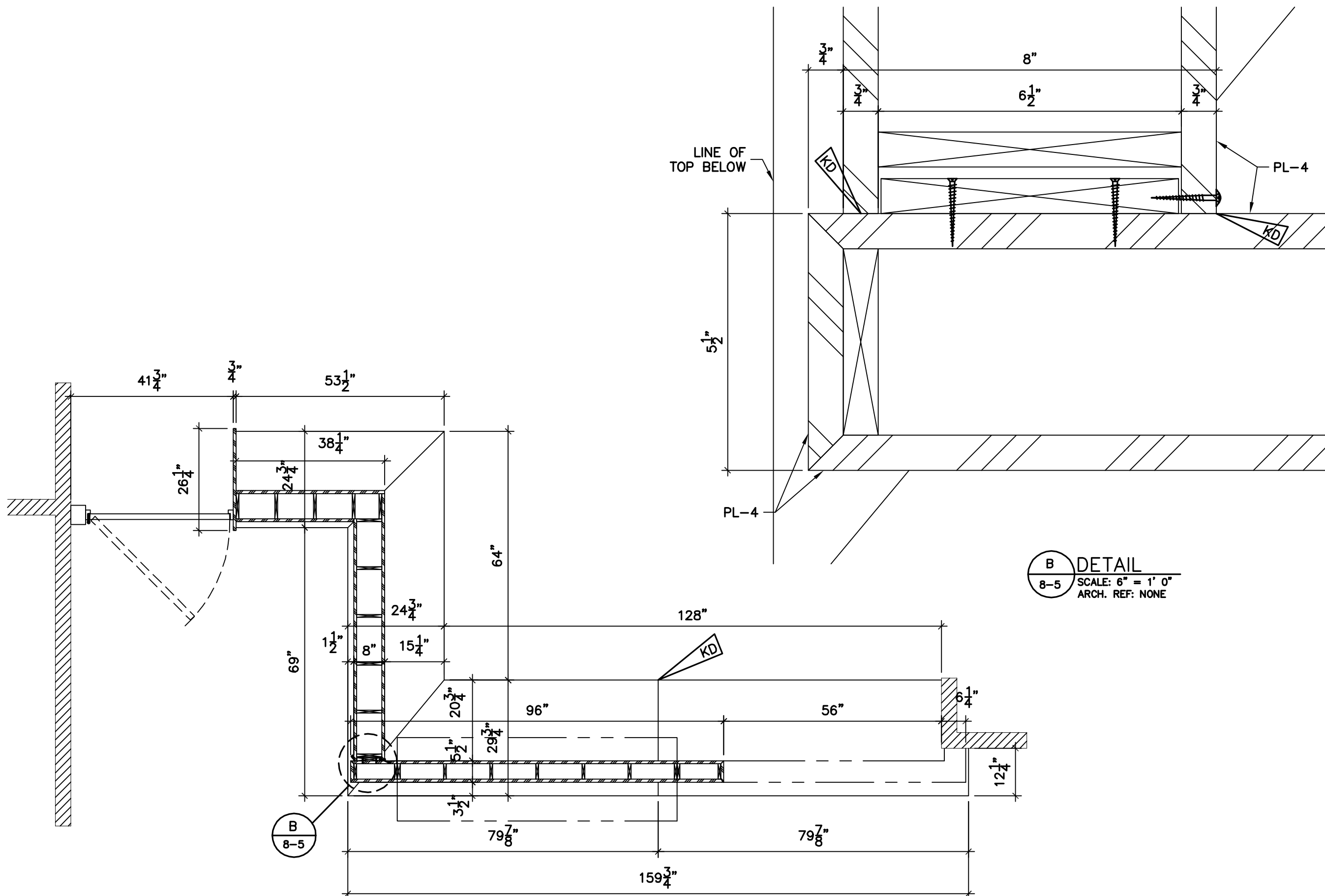
**A** HORIZONTAL SECTION  
8-4 SCALE: 1/2" = 1' 0"  
ARCH. REF: NONE



| REVISIONS | BY       |
|-----------|----------|
|           |          |
| JOB#      |          |
|           |          |
| DRAWN BY: | DATE     |
| TM        | 09/30/08 |

Job Name:

PAGE:  
**8-4**



B  
8-5

A HORIZONTAL SECTION  
8-5 SCALE: 1/2" = 1' 0"  
ARCH. REF: NONE

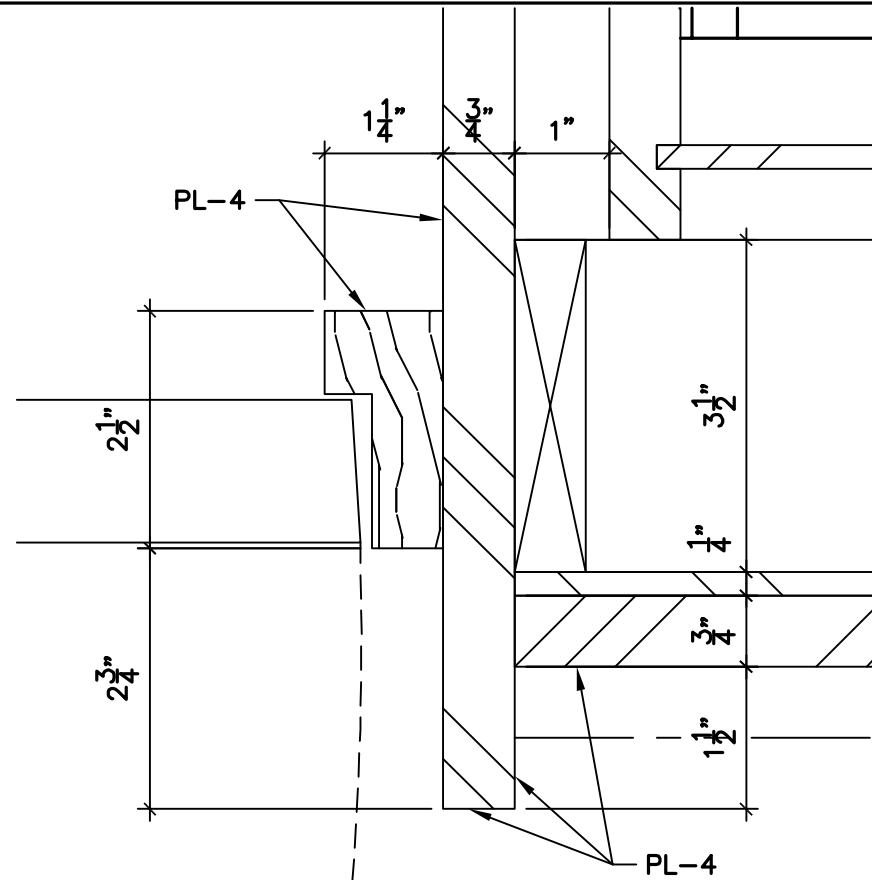
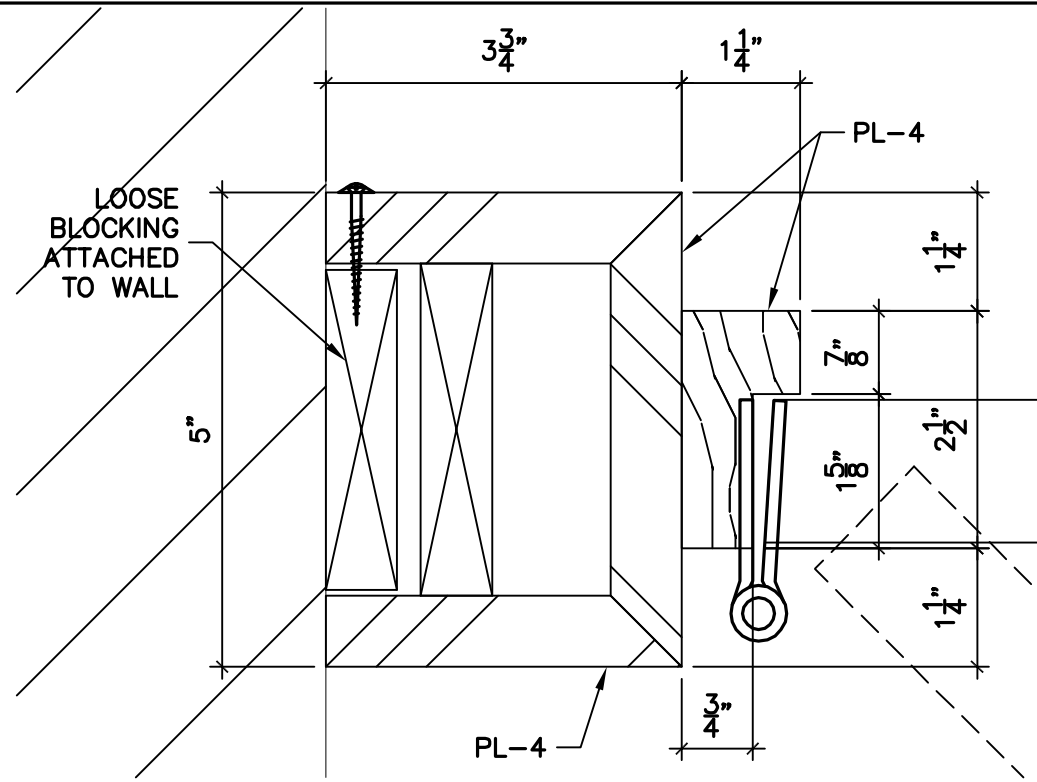
B DETAIL  
8-5 SCALE: 6" = 1' 0"  
ARCH. REF: NONE



| REVISIONS | BY       |
|-----------|----------|
|           |          |
| JOB#      |          |
|           |          |
| DRAWN BY: | DATE     |
| TM        | 09/30/08 |

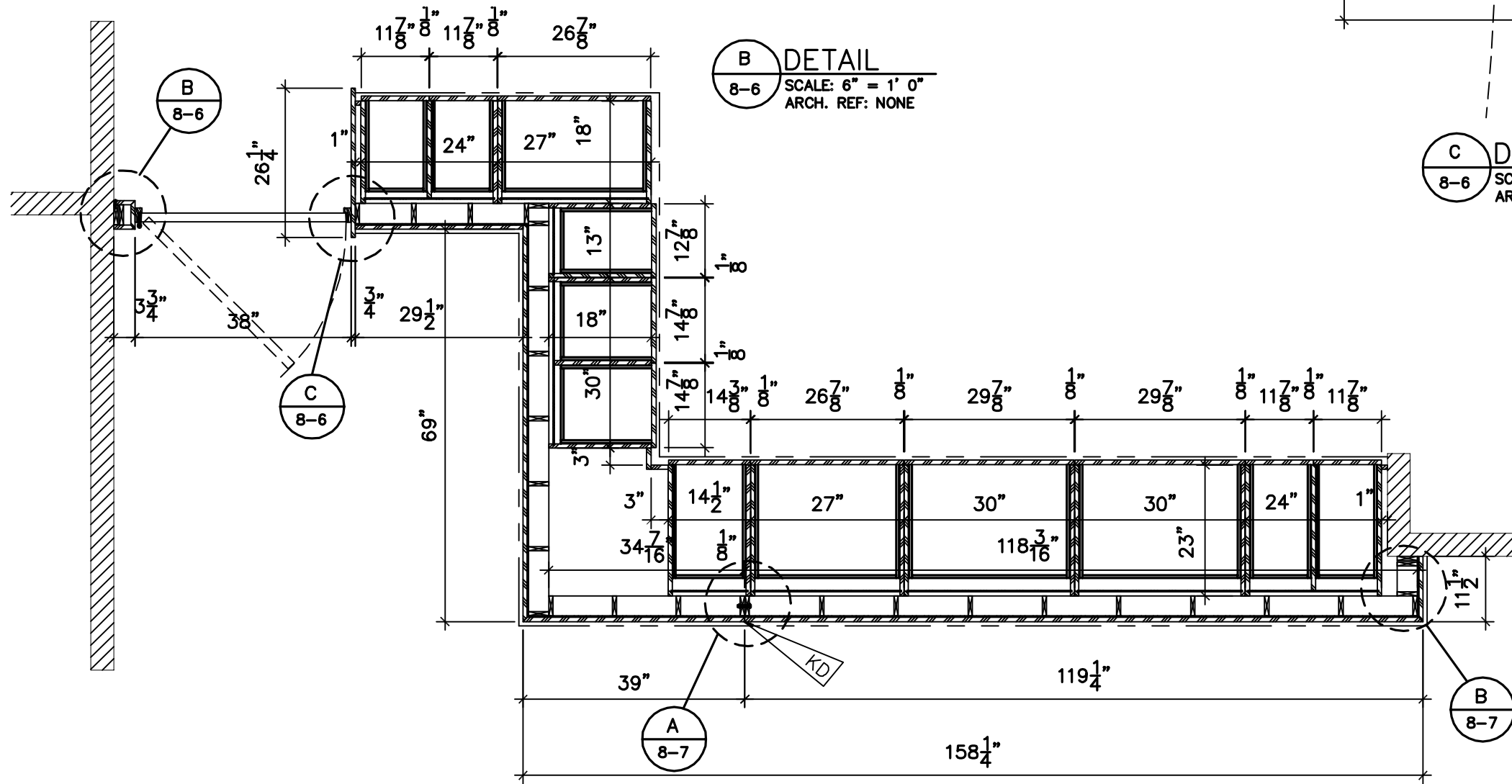
Job Name:

PAGE:  
**8-5**



**B** DETAIL  
8-6 SCALE: 6" = 1' 0"  
ARCH. REF: NONE

**C** DETAIL  
8-6 SCALE: 6" = 1' 0"  
ARCH. REF: NONE



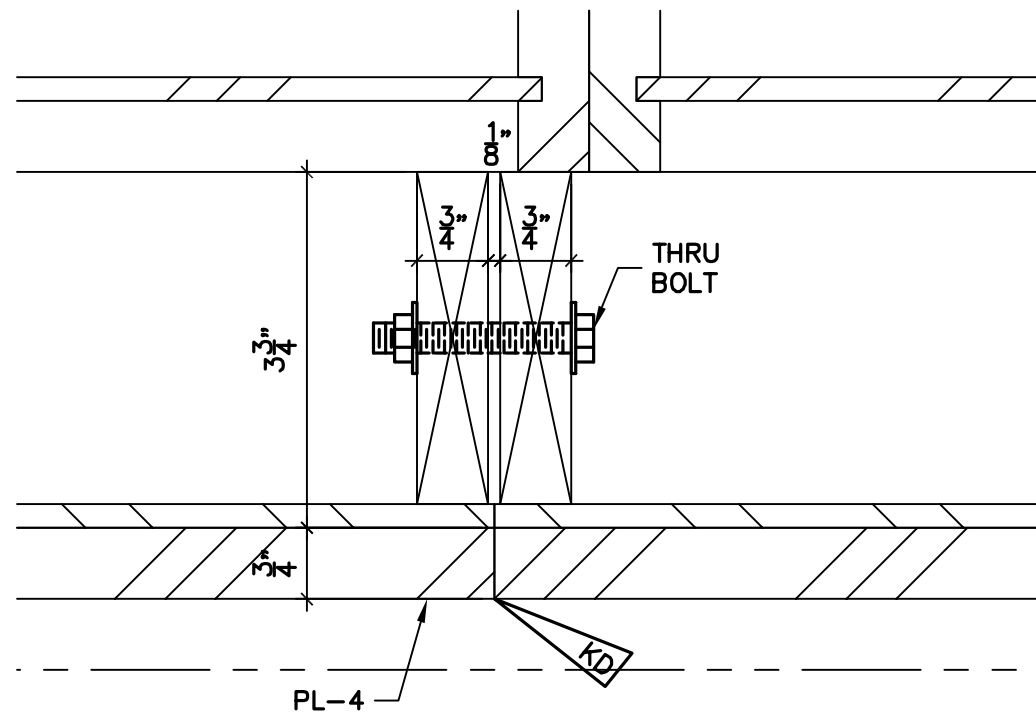
**A** HORIZONTAL SECTION  
8-6 SCALE: 1/2" = 1' 0"  
ARCH. REF: NONE



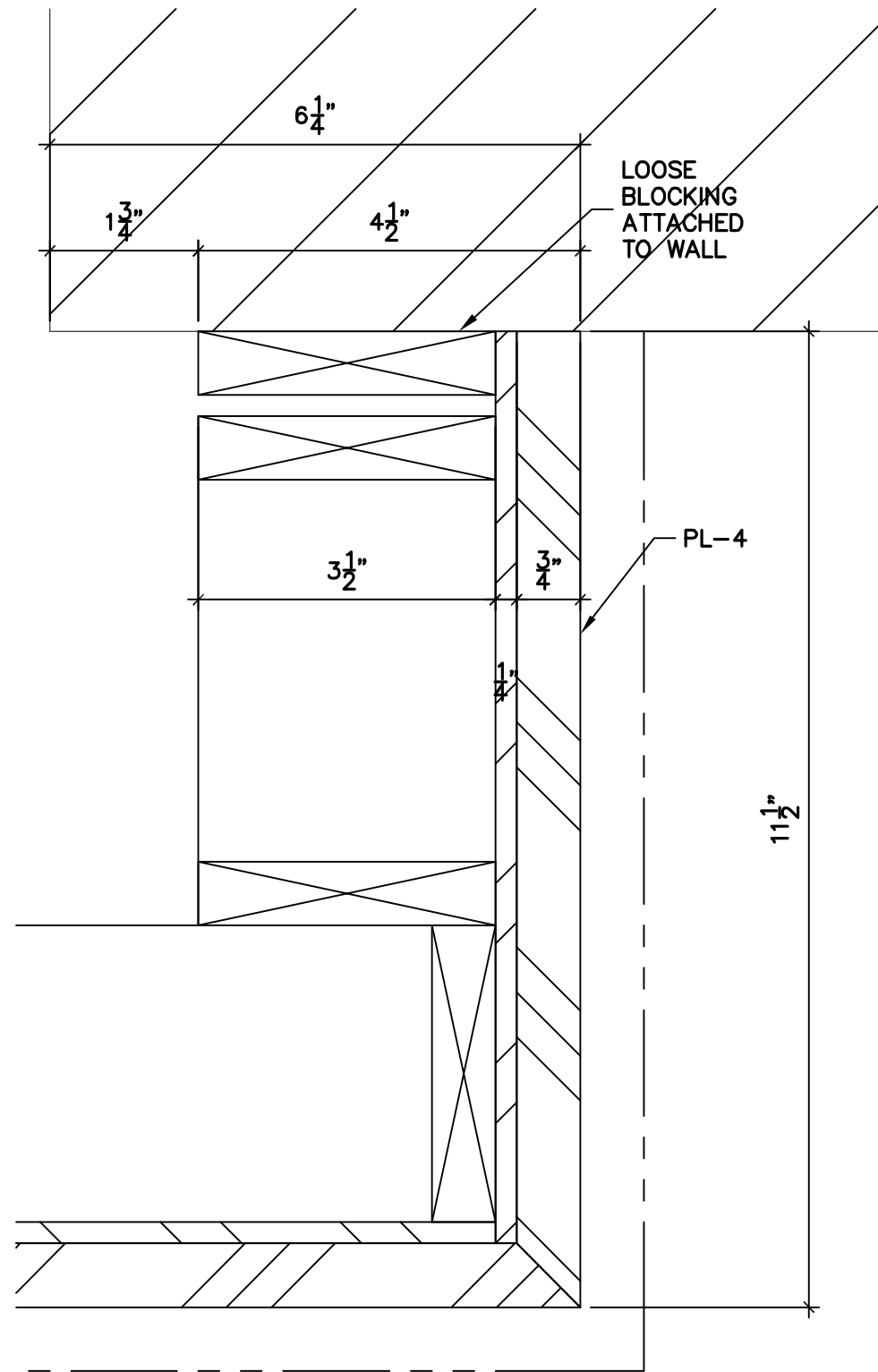
| REVISIONS | BY       |
|-----------|----------|
|           |          |
| JOB#      |          |
|           |          |
| DRAWN BY: | DATE     |
| TM        | 09/30/08 |

Job Name:

PAGE:  
**8-6**



**A** DETAIL  
8-7 SCALE: 6" = 1' 0"  
ARCH. REF: NONE



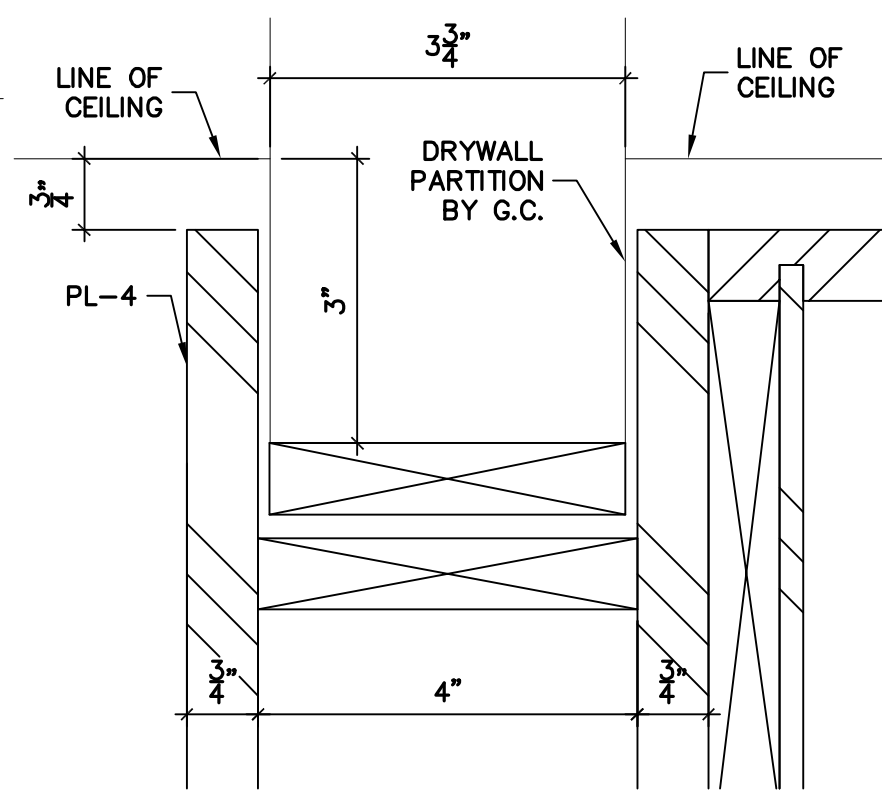
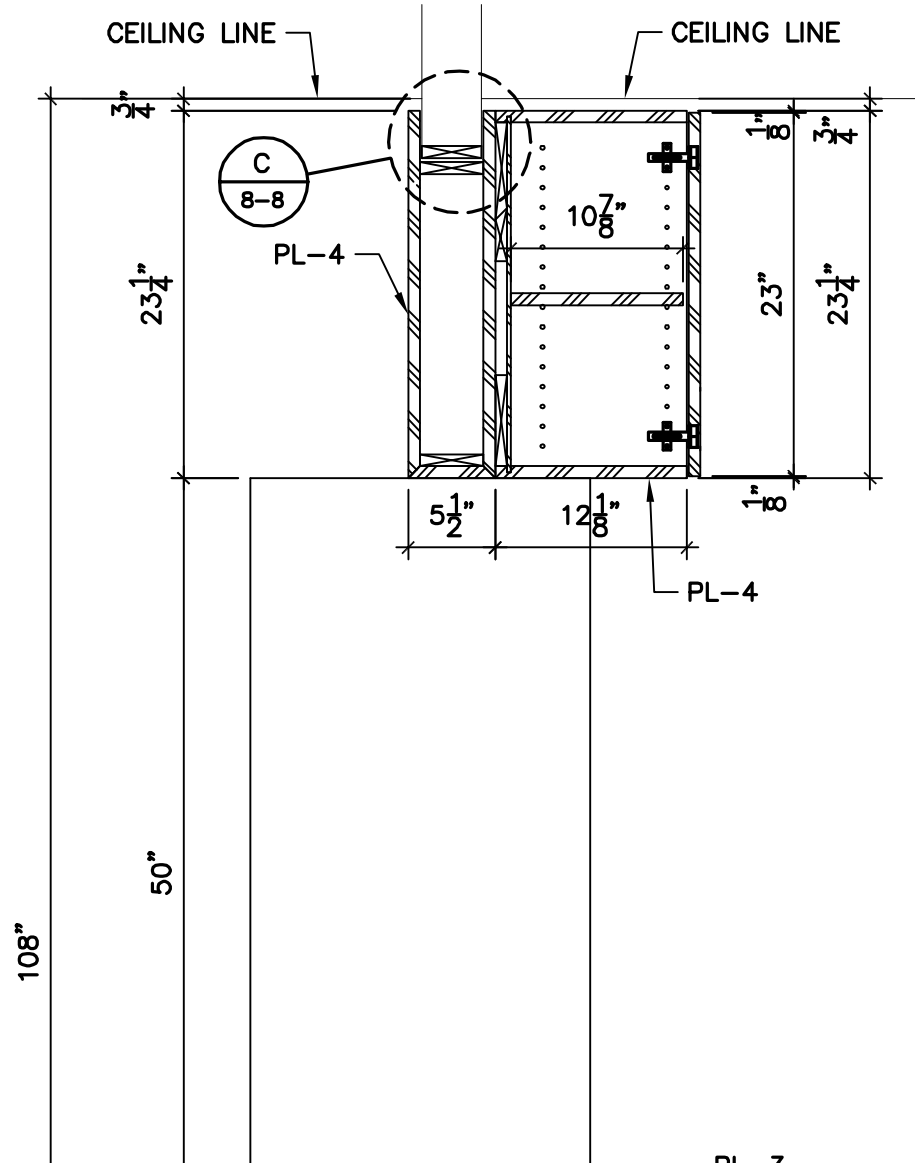
**B** DETAIL  
8-7 SCALE: 6" = 1' 0"  
ARCH. REF: NONE



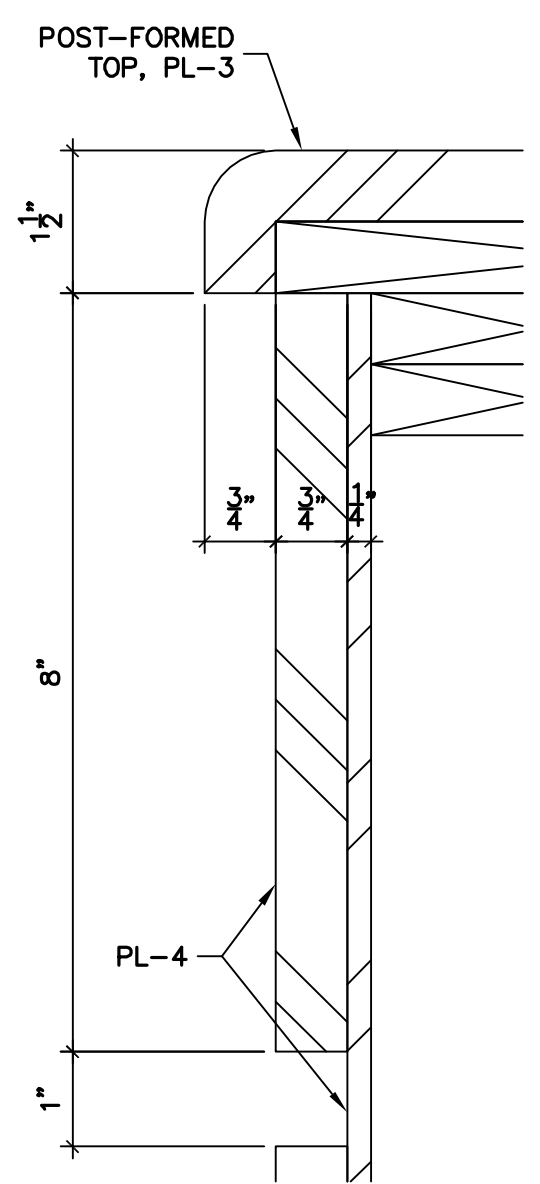
| REVISIONS | BY       |
|-----------|----------|
|           |          |
| JOB#      |          |
|           |          |
| DRAWN BY: | DATE     |
| TM        | 09/30/08 |

Job Name:

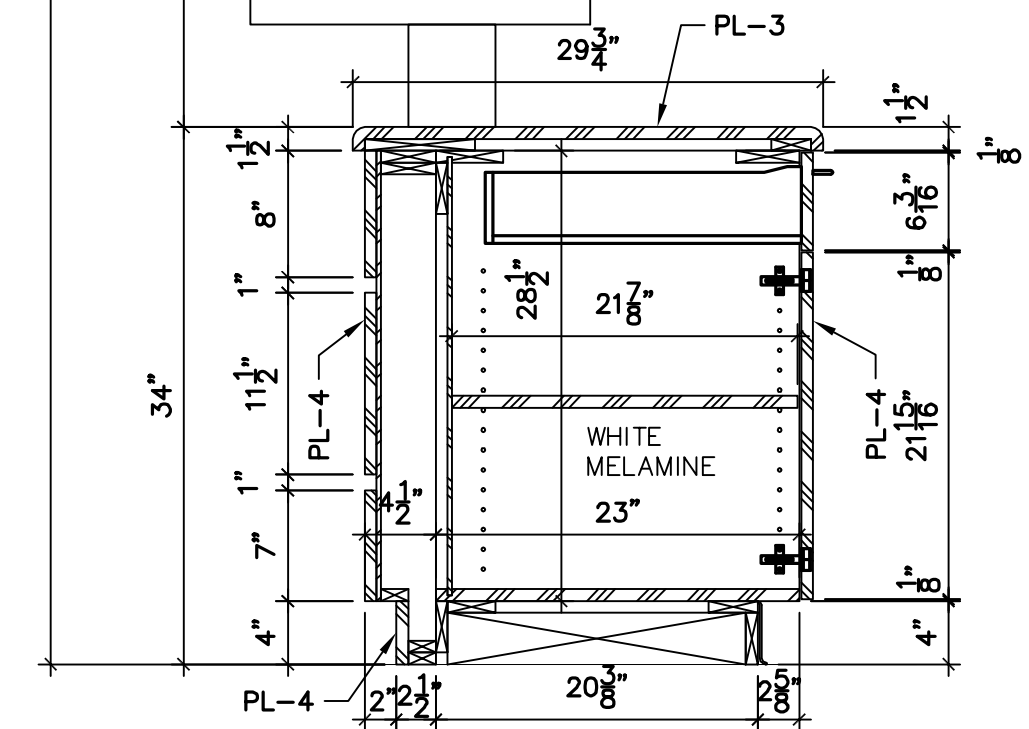
PAGE:  
**8-7**



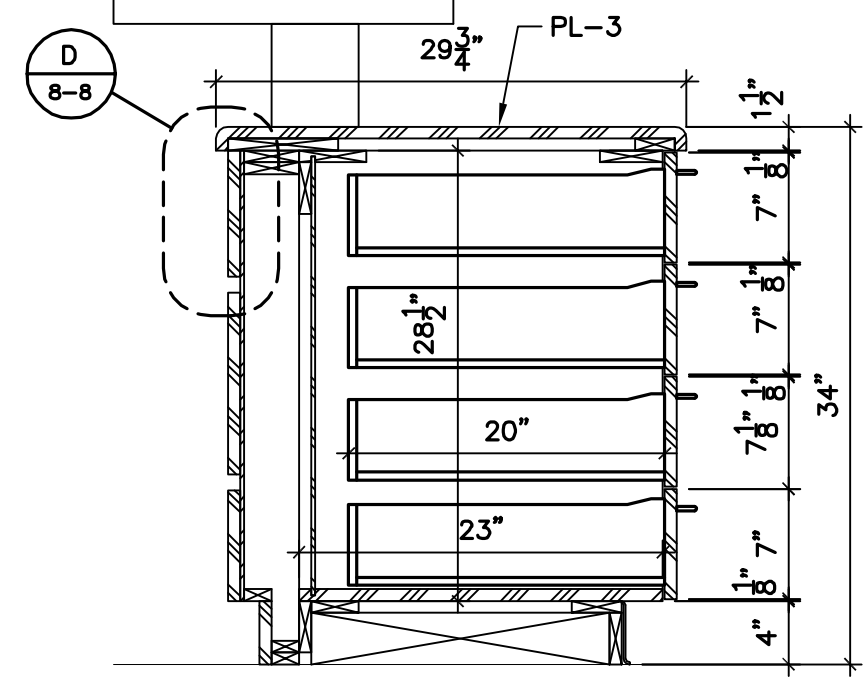
**C**  
8-8  
DETAIL  
SCALE: 6" = 1'-0"  
ARCH. REF: NONE



**D**  
8-8  
DETAIL  
SCALE: 6" = 1'-0"  
ARCH. REF: NONE



**A**  
8-8  
VERTICAL SECTION  
SCALE: 1-1/2" = 1'-0"  
ARCH. REF: ABD-73



**B**  
8-8  
VERTICAL SECTION  
SCALE: 1-1/2" = 1'-0"  
ARCH. REF: ABD-73

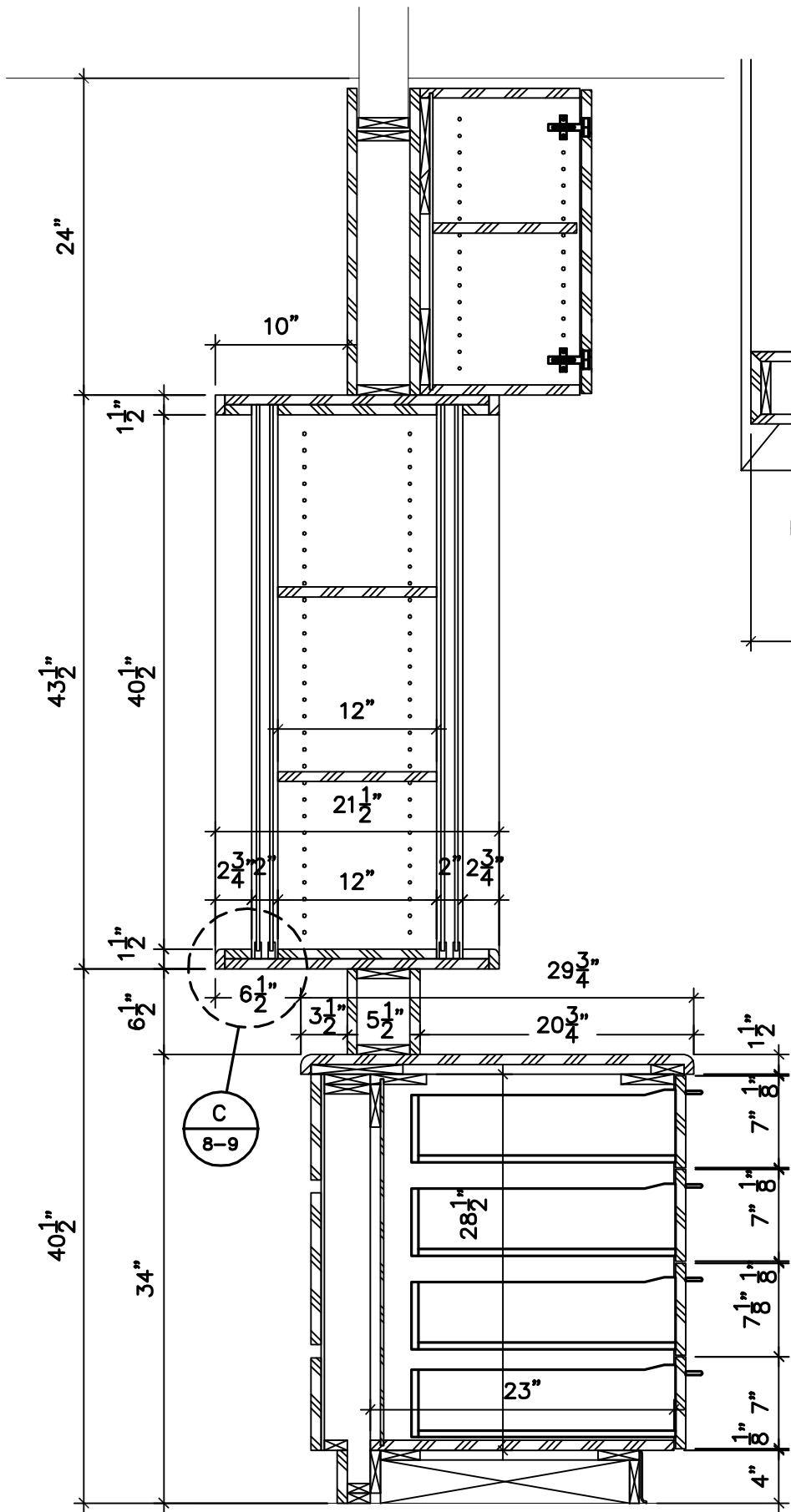


| REVISIONS | BY       |
|-----------|----------|
|           |          |
| JOB#      |          |
|           |          |
| DRAWN BY: | DATE     |
| TM        | 09/30/08 |

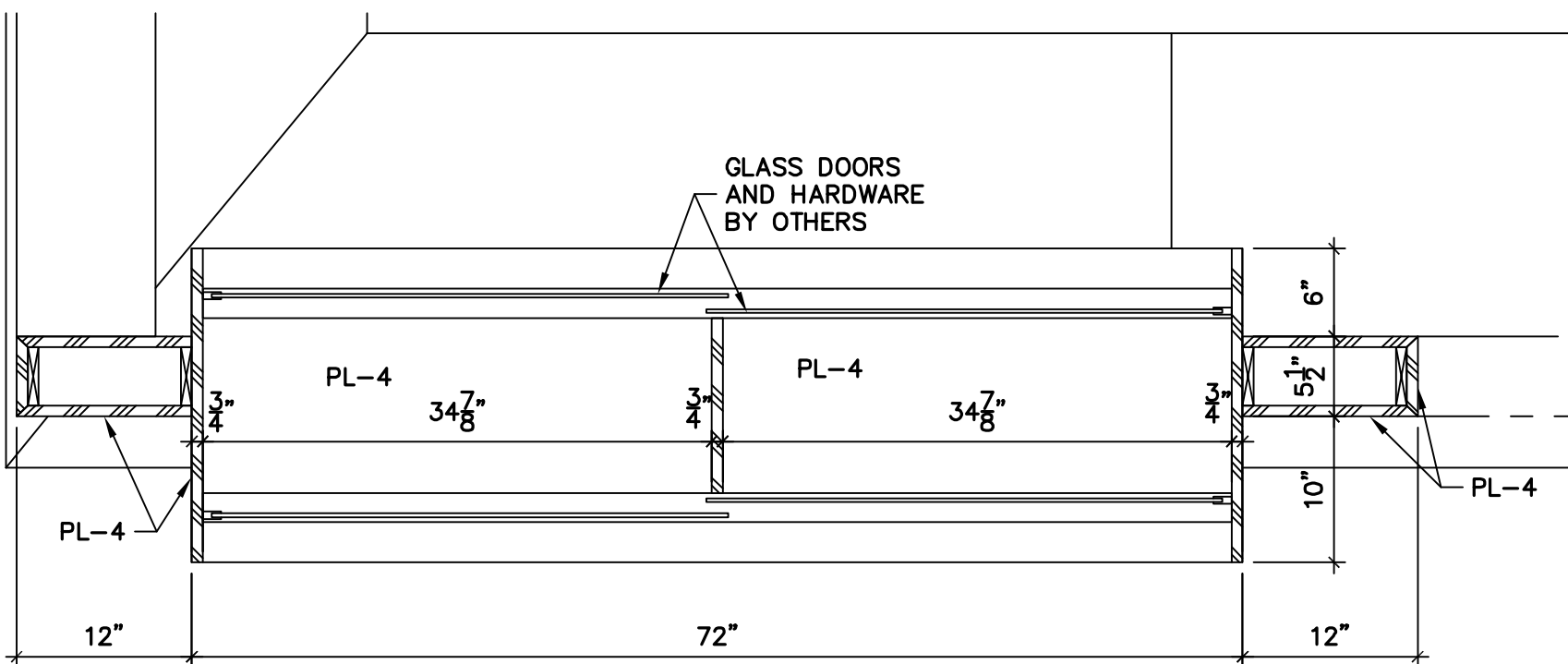
Job Name:

PAGE:  
**8-8**

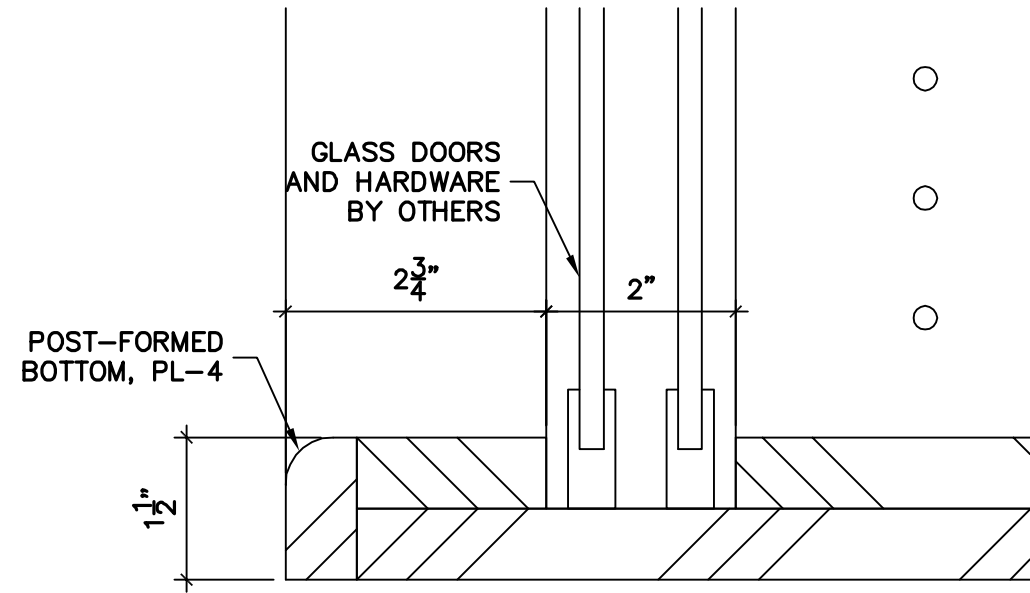




**A** VERTICAL SECTION  
8-9 SCALE: 1-1/2" = 1'- 0"  
ARCH. REF: ABD-72



**B** HORIZONTAL SECTION  
8-9 SCALE: 1 1/2" = 1'- 0"  
ARCH. REF: NONE



**C** DETAIL  
8-9 SCALE: 6" = 1'- 0"  
ARCH. REF: NONE



| REVISIONS | BY       |
|-----------|----------|
|           |          |
| JOB#      |          |
| DRAWN BY: | DATE     |
| TM        | 09/30/08 |

Job Name:

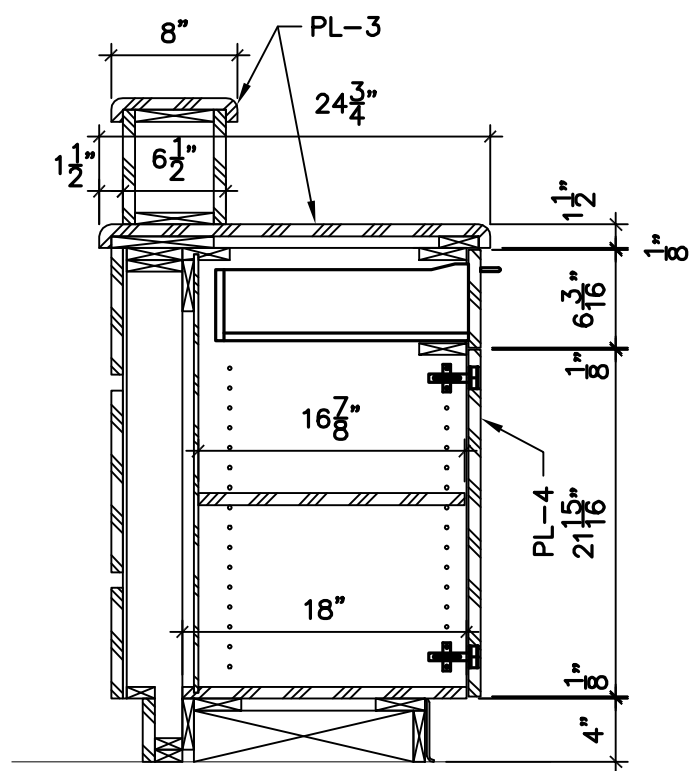
PAGE:  
**8-9**



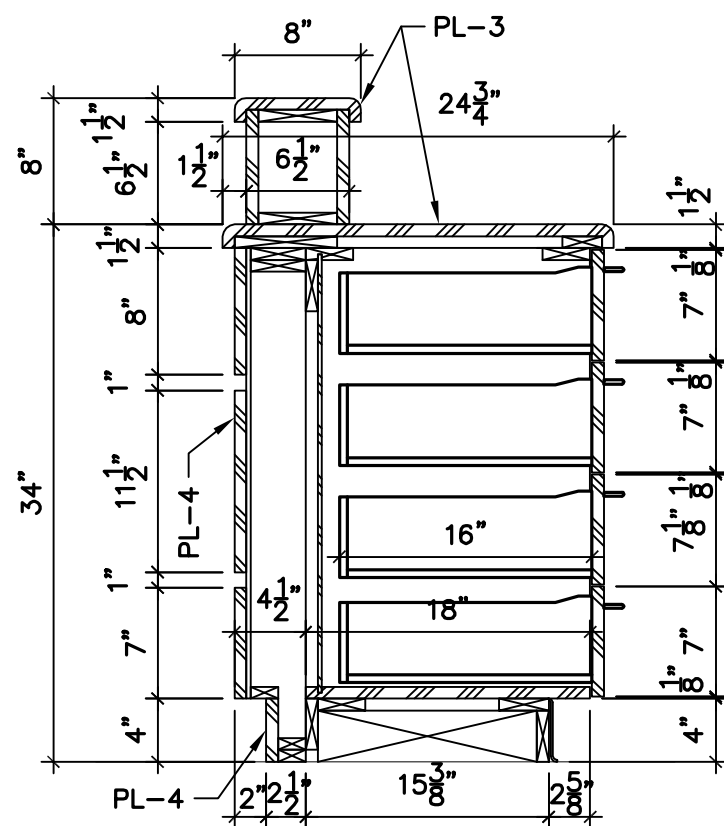
| REVISIONS | BY       |
|-----------|----------|
|           |          |
| JOB#      |          |
| DRAWN BY: | DATE     |
| TM        | 09/30/08 |

Job Name:

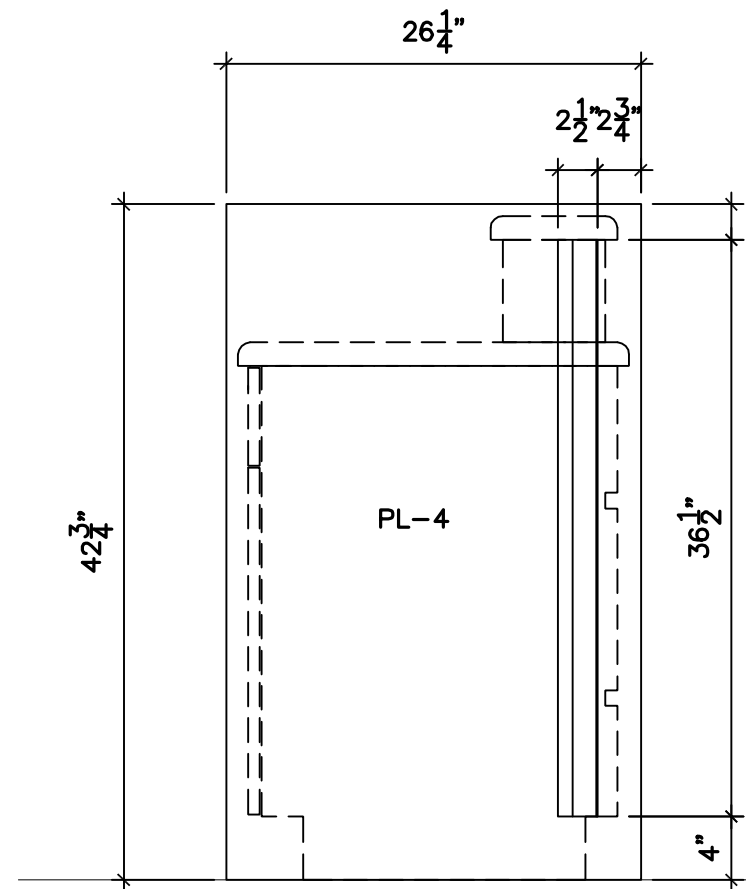
PAGE:  
**8-10**



**A** VERTICAL SECTION  
8-10 SCALE: 1-1/2" = 1'- 0"  
ARCH. REF: ABD-71



**B** VERTICAL SECTION  
8-10 SCALE: 1-1/2" = 1'- 0"  
ARCH. REF: NONE



**C** VERTICAL SECTION  
8-10 SCALE: 1-1/2" = 1'- 0"  
ARCH. REF: ABD-70