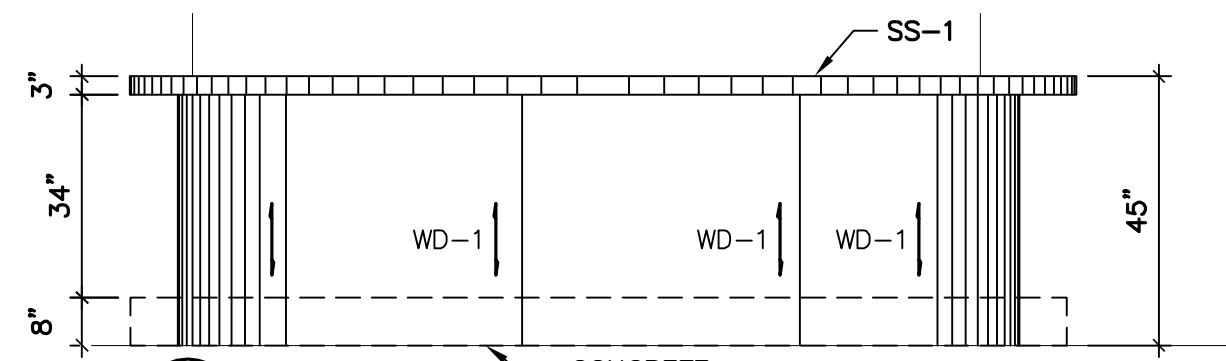


**A PLAN: CLUB ROOM**  
 6-1 SCALE: 3/8" = 1' 0"  
 ARCH. REF: 1/D-1

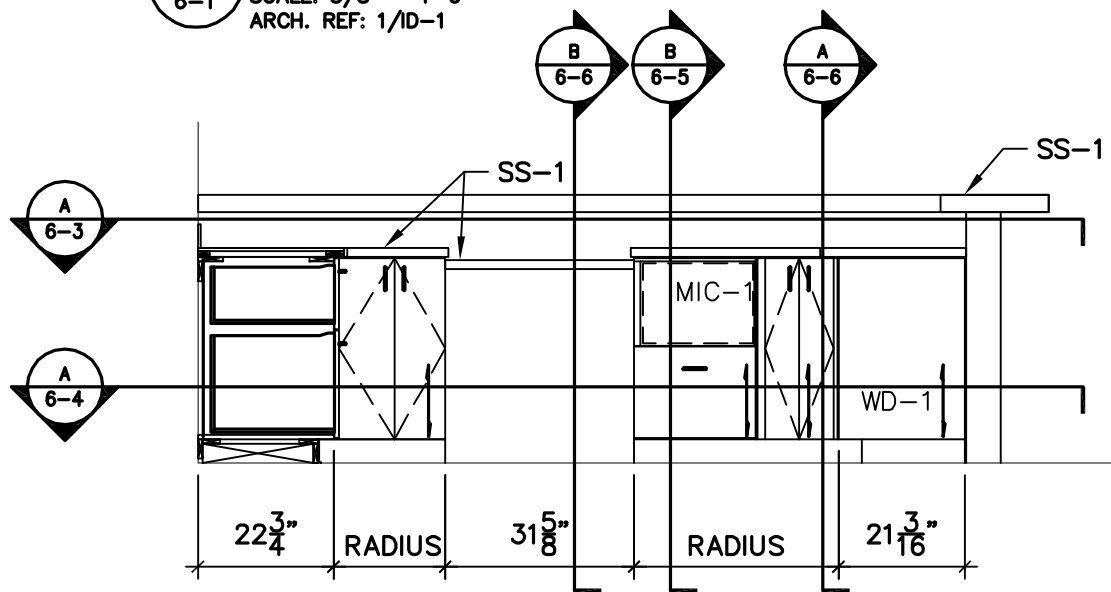
EQUIPMENT:	
1	ICE-1: GE MONOGRAM ZDIS15CSS AUTOMATIC ICE MAKER
1	REF-1: GE GMRO44ASCS REFRIGERATOR
1	DW-1: GE PDW7880J22 PROFESSIONAL DISHWASHER
1	MIC-1: GE JE1460BF MICROWAVE

HARDWARE LIST:	
5 PR	DRAWER SLIDE - K&V #8400 FULL EXTENSION, 18"L
9	PULLS- HD-2: BERENSON 7071-9SS
8	HINGES: HHC 1279

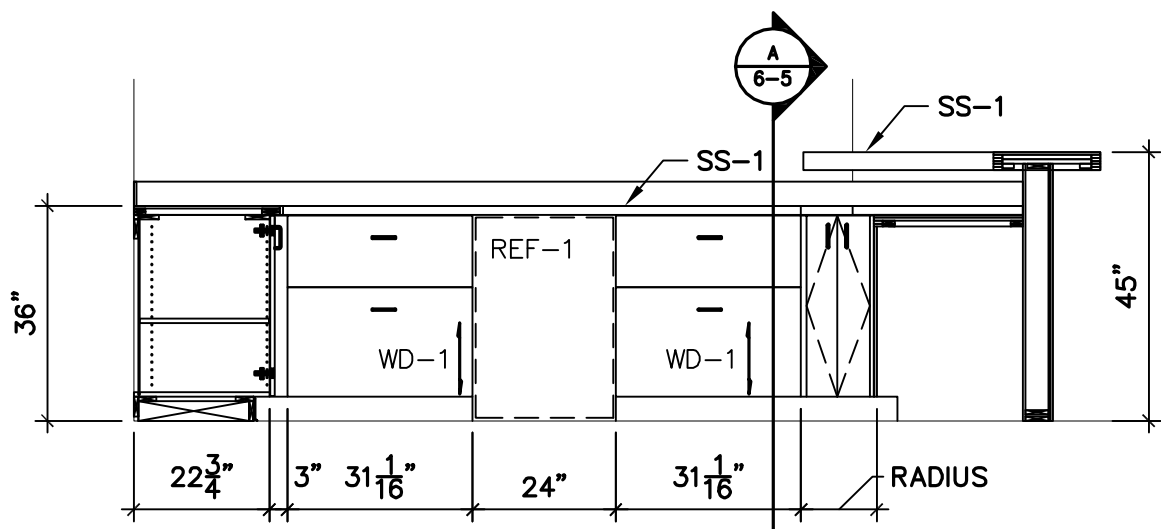
FINISHES:	
SS-1	CAESAR STONE 3241 "WHITE SAND"
WD-1	SANFOOT JAC024S "ANDES ROSEWOOD FC"
NOTE: ALL CABINET INTERIORS TO BE WHITE MELAMINE UNLESS OTHERWISE NOTED	



**C ELEVATION**  
 6-1 SCALE: 3/8" = 1' 0"  
 ARCH. REF: CONCRETE BY OTHERS



**B ELEVATION**  
 6-1 SCALE: 3/8" = 1' 0"  
 ARCH. REF:



**D ELEVATION**  
 6-1 SCALE: 3/8" = 1' 0"  
 ARCH. REF:



REVISIONS	BY
JOB#	
DRAWN BY:	DATE
MM	09/22/08

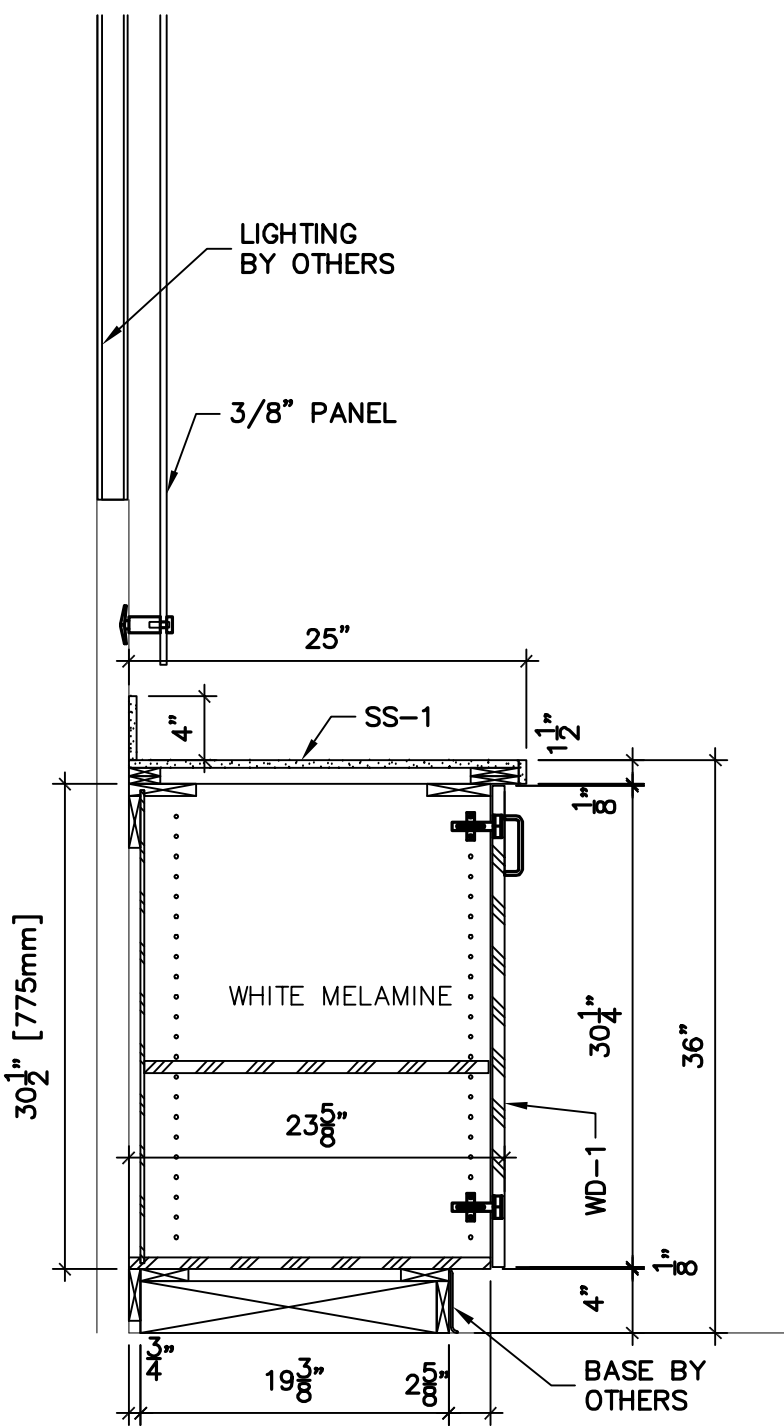
Job Name:

PAGE:  
**6-1**

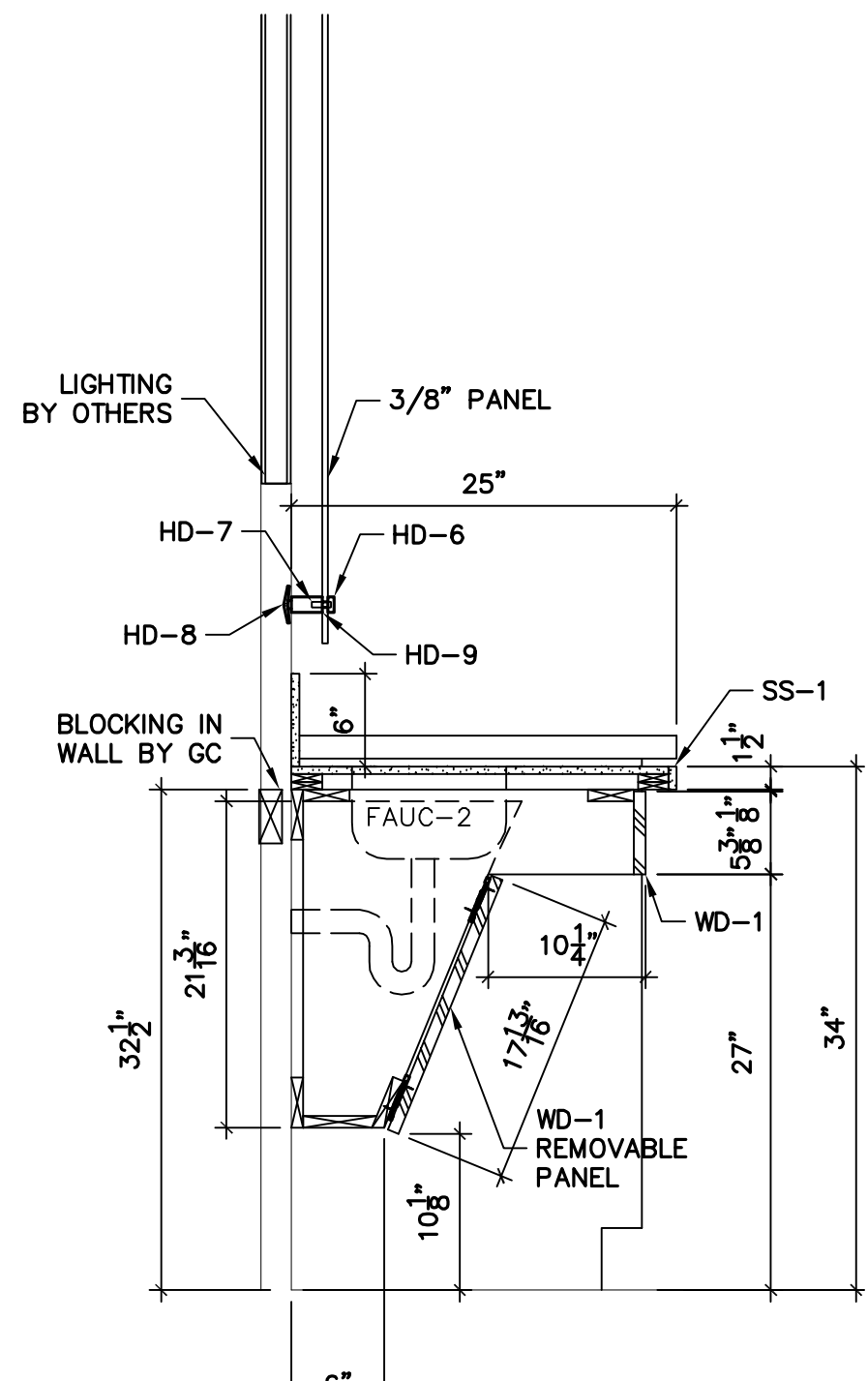
EQUIPMENT:	
1	FAUC-2: KOHLER K-10430-G SINK WITH BUILT-IN FAUCET

HARDWARE LIST:	
2	PULLS- HD-2: BERENSON 7071-9SS
4	HINGES: HHC 1279
18	HD-6: DOUG MOCKETT STANDOFF CAP MPB9/CAP1-94
18	HD-7: DOUG MOCKETT STANDOFF BARREL MPB9/2-94
18	HD-8: DOUG MOCKETT STANDOFF ANCHOR MPB-HD-TWA2
18	HD-9: DOUG MOCKETT STANDOFF CONNECTOR MPB-HD-S21
3	3-FORM PANEL 3/8" GAUGE "THATCH"

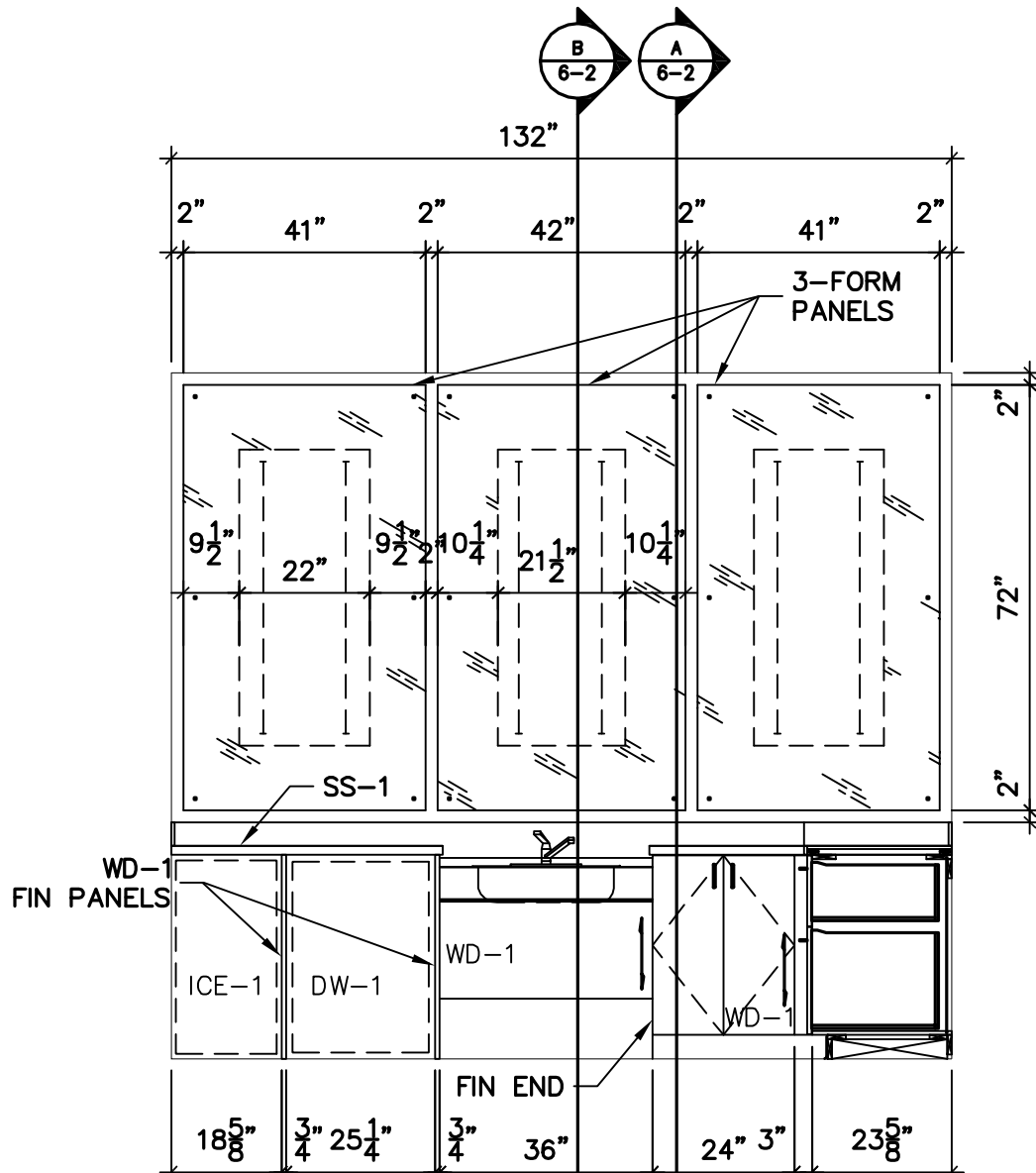
FINISHES:	
SS-1	CAESAR STONE 3241 "WHITE SAND"
WD-1	SANFOOT JAC024S "ANDES ROSEWOOD FC"
NOTE: ALL CABINET INTERIORS TO BE WHITE MELAMINE UNLESS OTHERWISE NOTED	



**A SECTION**  
6-2 SCALE: 1" = 1' 0"  
ARCH. REF:



**B SECTION**  
6-2 SCALE: 1" = 1' 0"  
ARCH. REF:



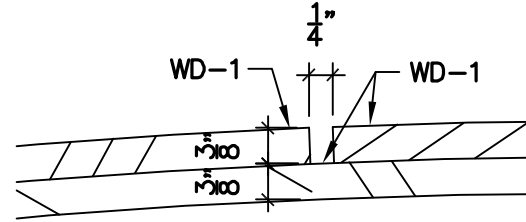
**C ELEVATION**  
6-2 SCALE: 3/8" = 1' 0"  
ARCH. REF:



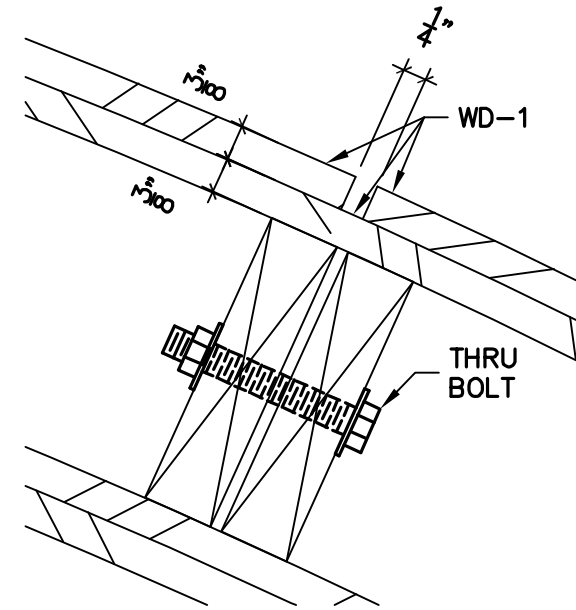
REVISIONS	BY
JOB#	
DRAWN BY:	DATE
MM	09/22/08

Job Name:

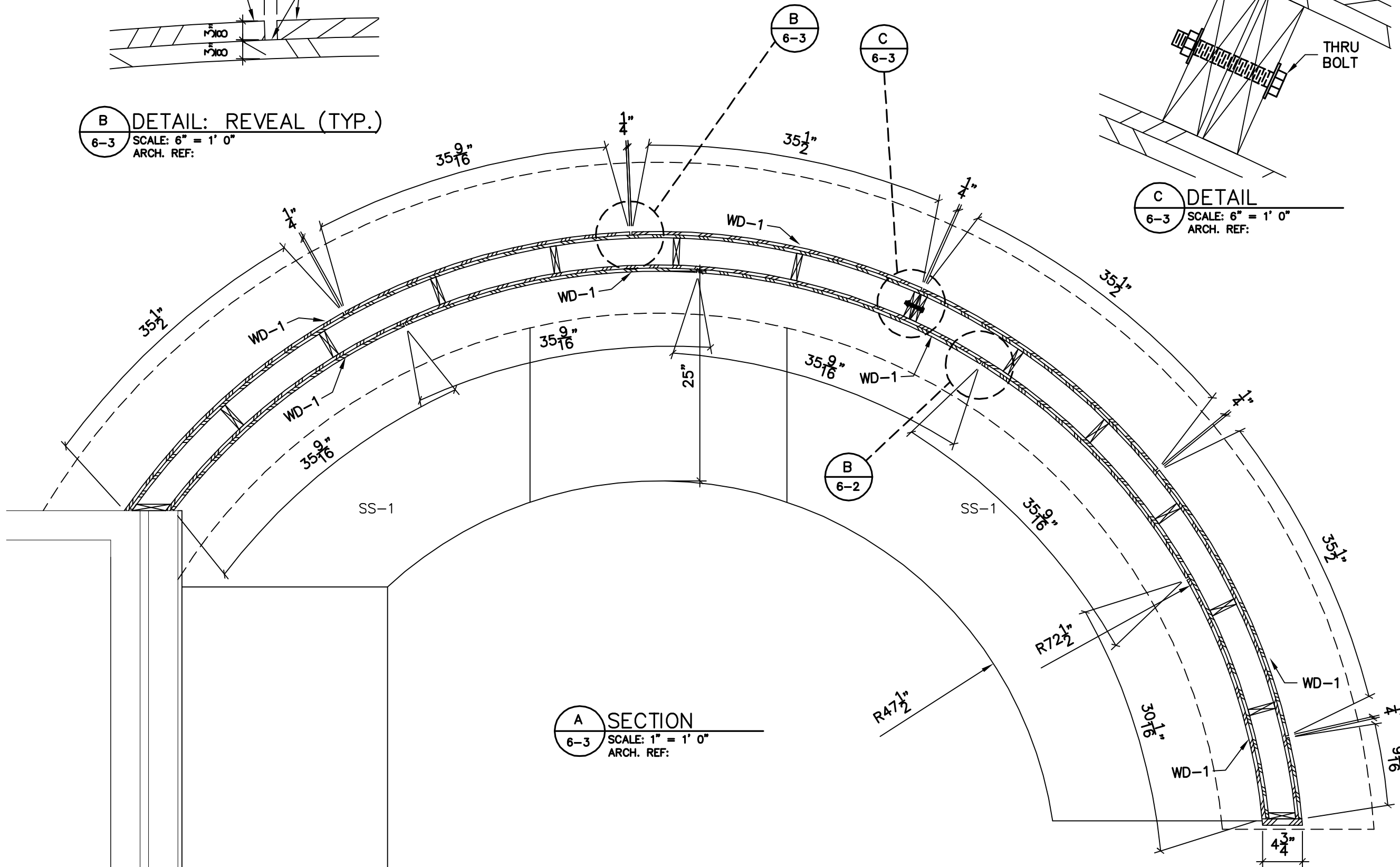
PAGE:  
**6-2**



**B** DETAIL: REVEAL (TYP.)  
6-3 SCALE: 6" = 1' 0"  
ARCH. REF:



**C** DETAIL  
6-3 SCALE: 6" = 1' 0"  
ARCH. REF:



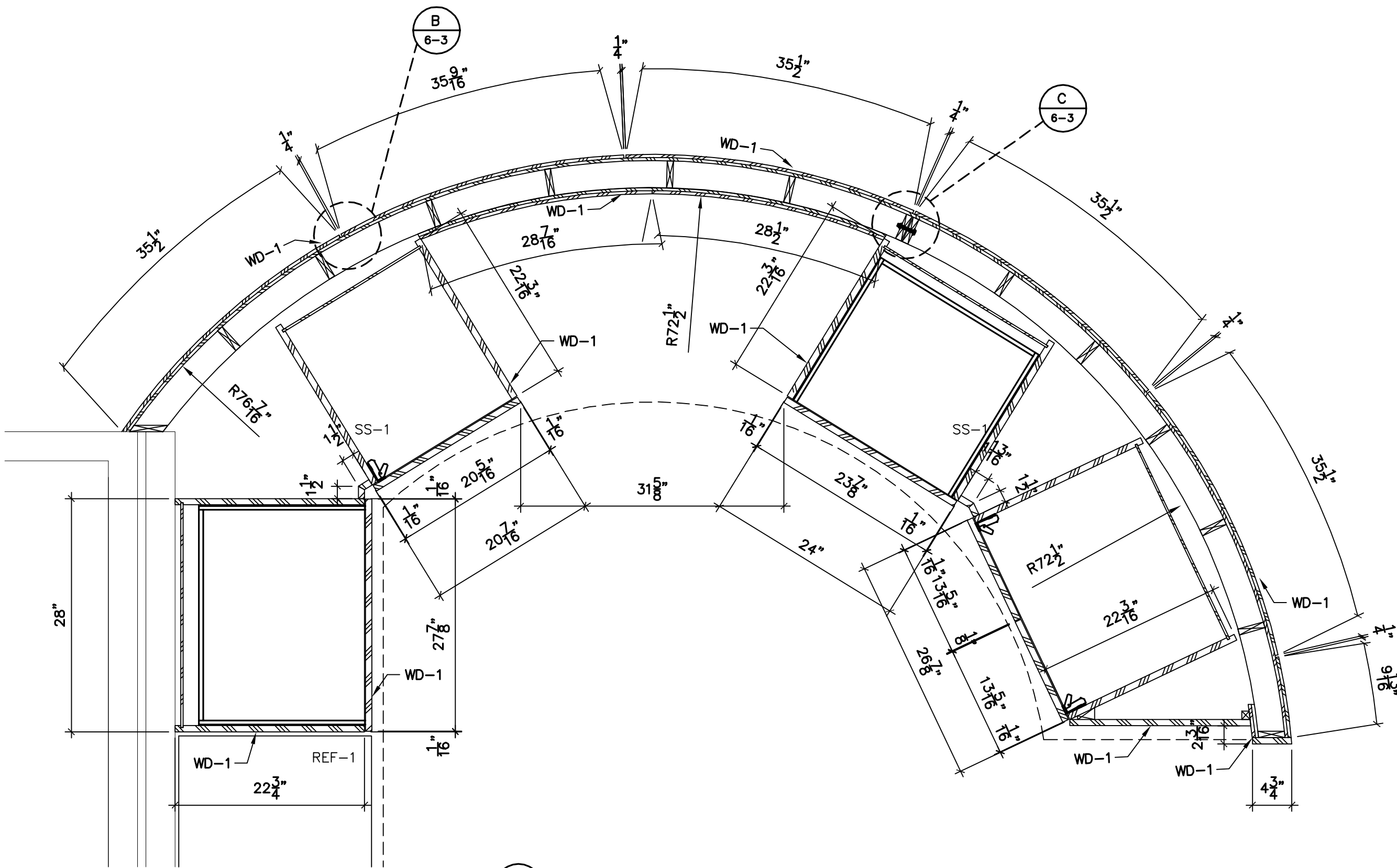
**A** SECTION  
6-3 SCALE: 1" = 1' 0"  
ARCH. REF:



REVISIONS	BY
JOB#	
DRAWN BY:	DATE
MM	09/22/08

Job Name:

PAGE:  
**6-3**

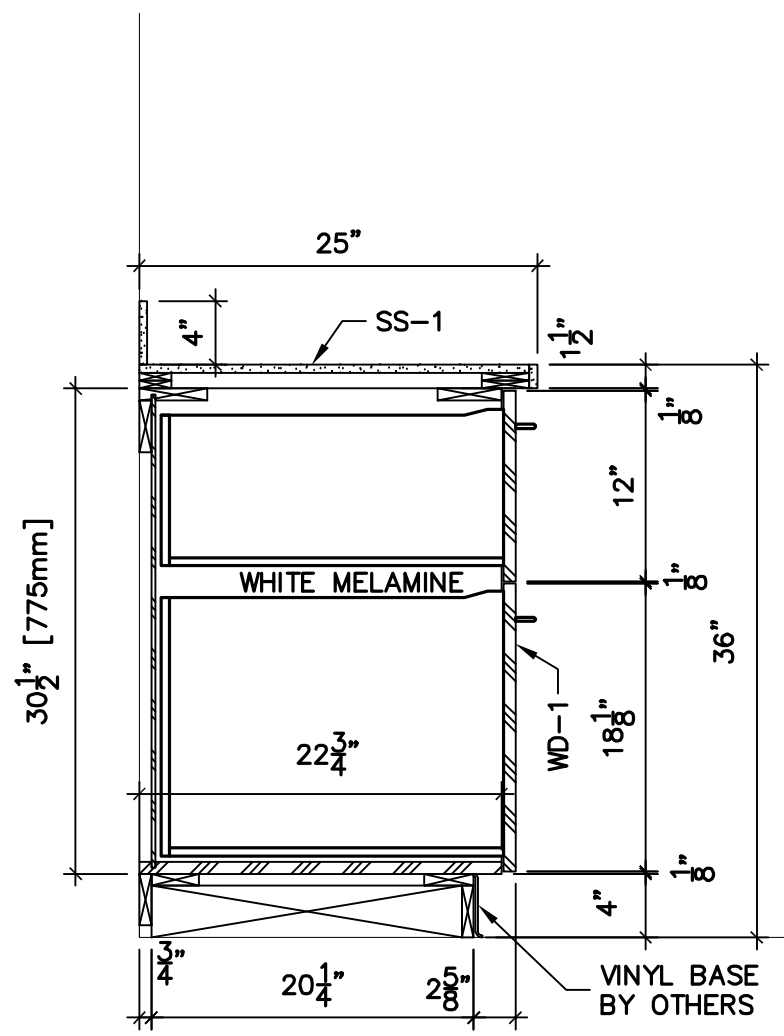


**A**  
 SECTION  
 6-4  
 SCALE: 1" = 1' 0"  
 ARCH. REF:

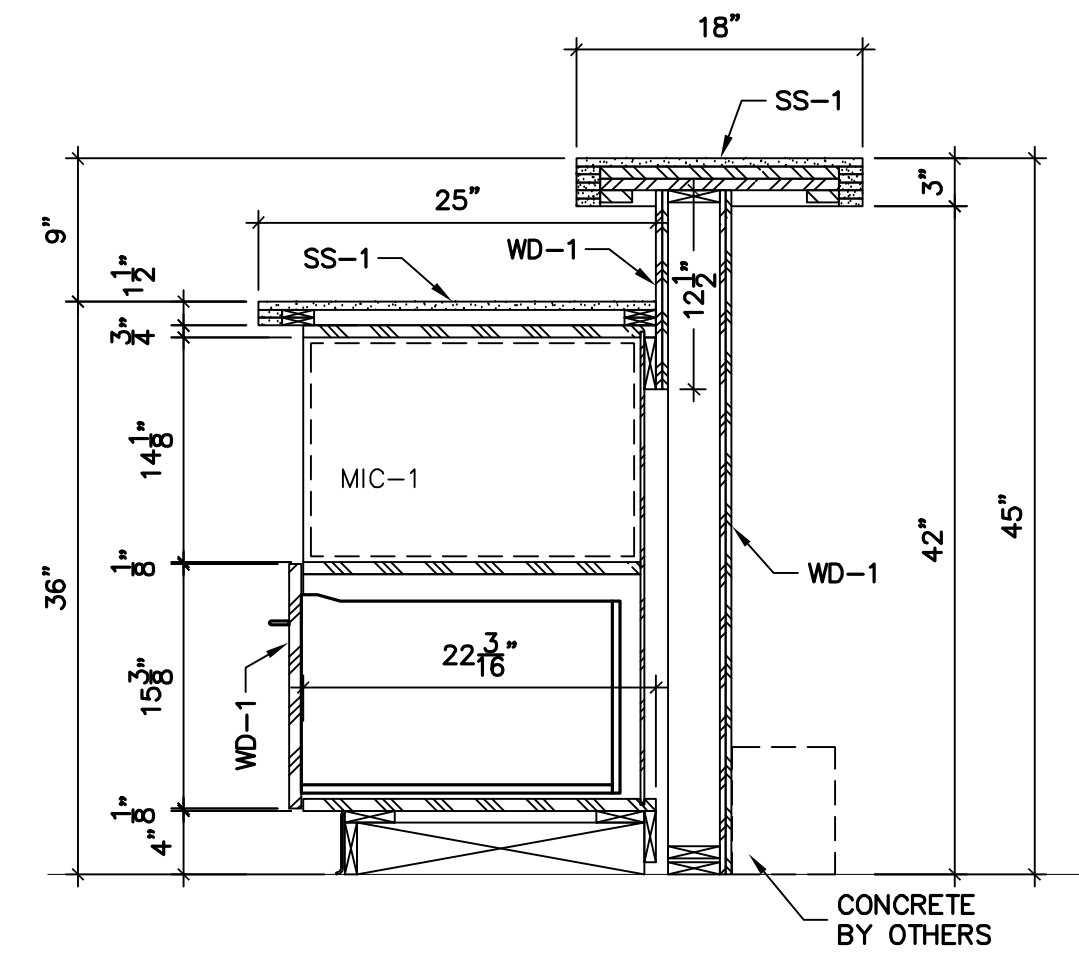


REVISIONS	BY
JOB#	
DRAWN BY:	DATE
MM	09/22/08

Job Name:



**A SECTION**  
 6-5 SCALE: 1" = 1' 0"  
 ARCH. REF:



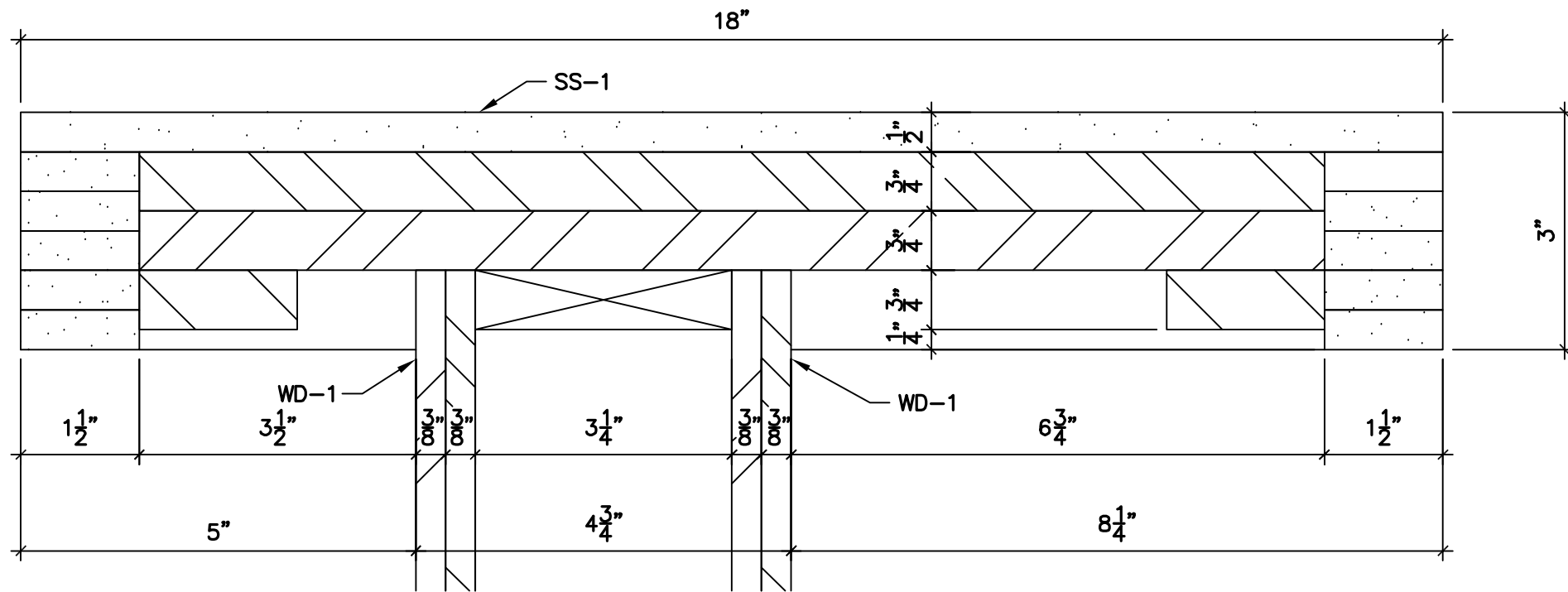
**B SECTION**  
 6-5 SCALE: 1" = 1' 0"  
 ARCH. REF:



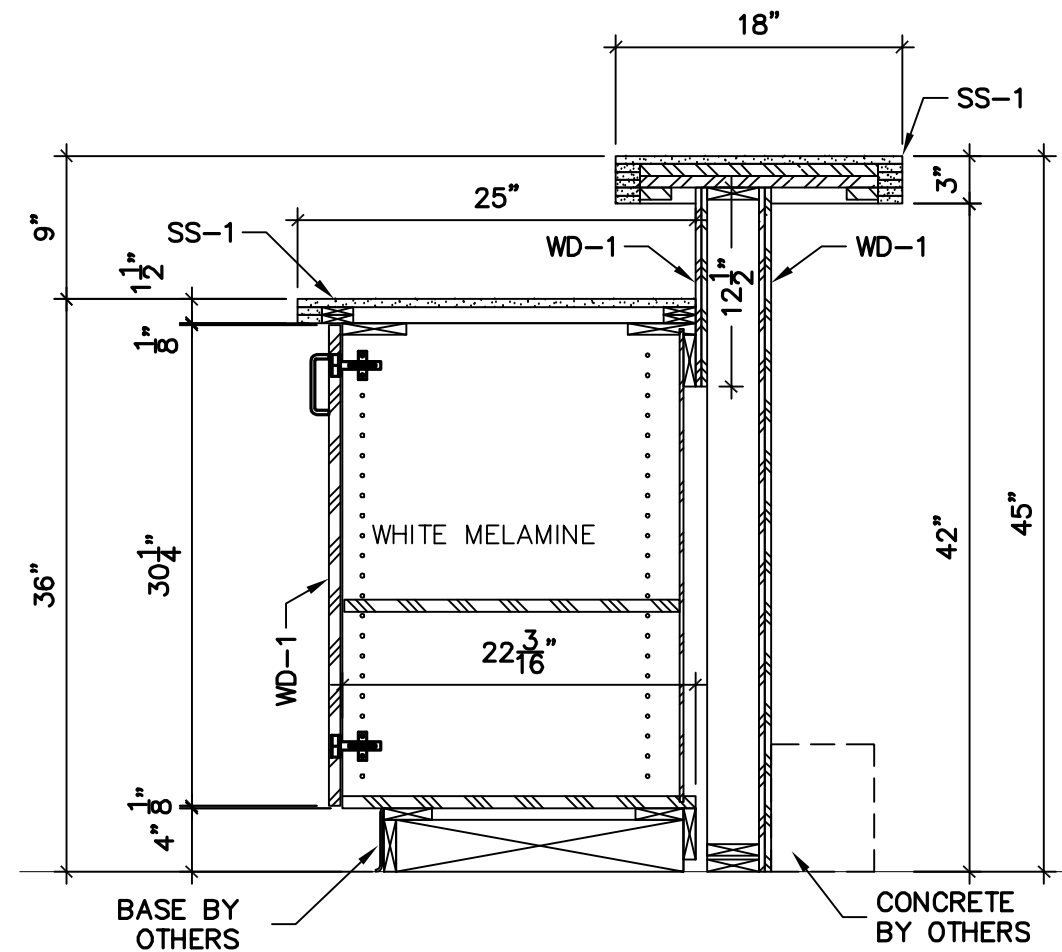
REVISIONS	BY
JOB#	
DRAWN BY:	DATE
MM	09/22/08

Job Name:

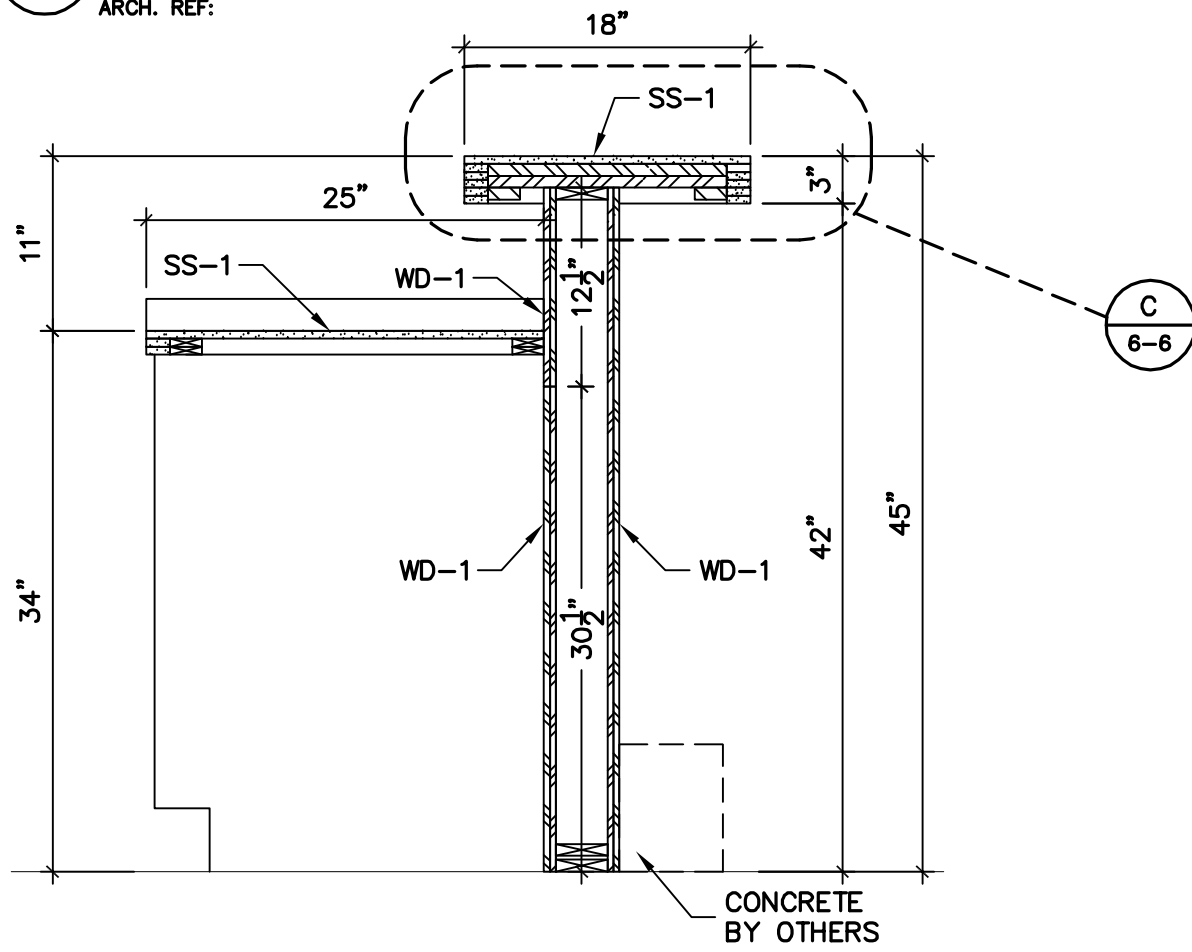
PAGE:  
**6-5**



**C** DETAIL  
 6-6 SCALE: 6" = 1' 0"  
 ARCH. REF:



**A** SECTION  
 6-6 SCALE: 1" = 1' 0"  
 ARCH. REF:



**B** SECTION  
 6-6 SCALE: 1" = 1' 0"  
 ARCH. REF:



REVISIONS	BY
JOB#	
DRAWN BY:	DATE
MM	09/22/08

Job Name:

PAGE:  
**6-6**