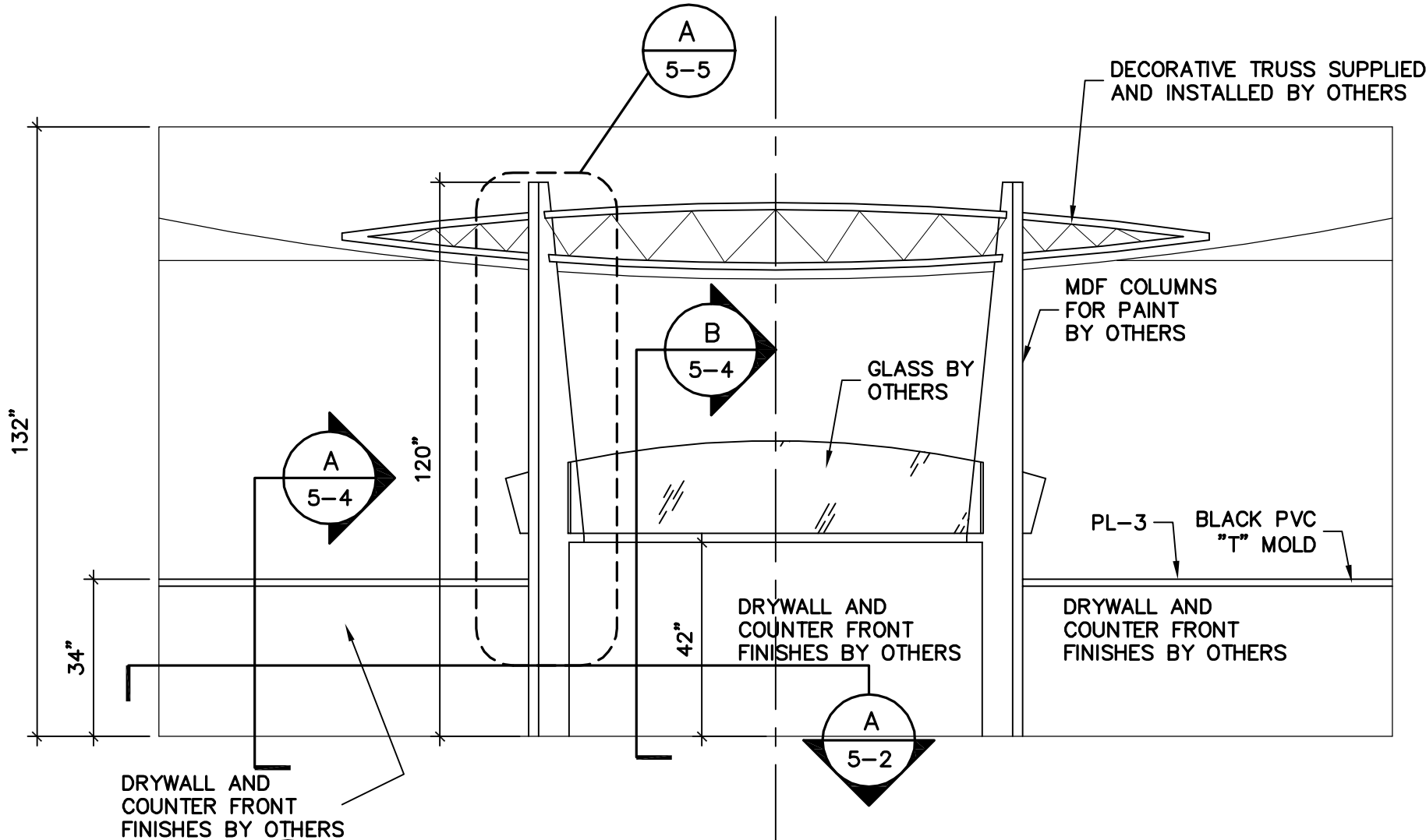


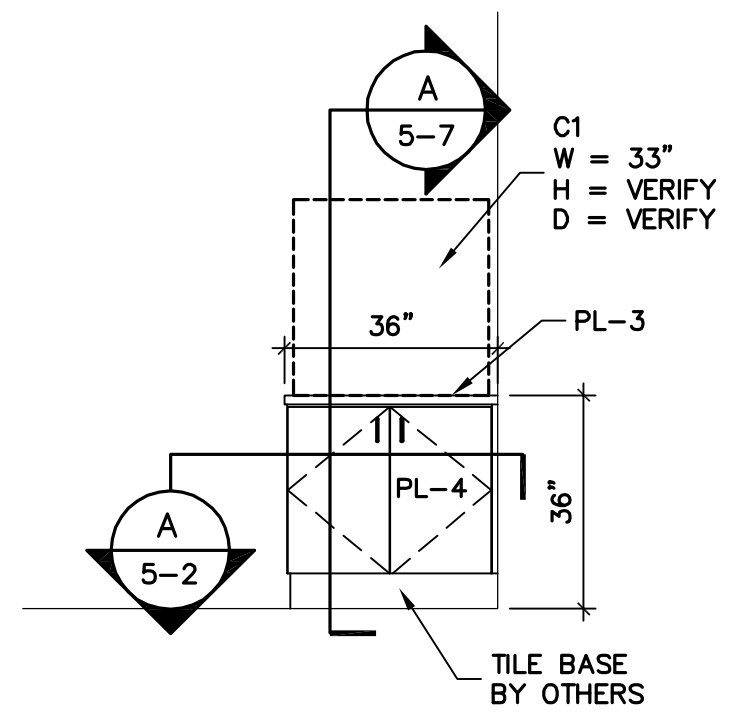
**A**  
5-1  
**PLAN VIEW**  
SCALE: 3/8" = 1'-0"  
ARCH. REF: A/4

FINISHES:	
PL-3:	CHEMETAL #223 "CHROMIUM"
PL-4:	NEVAMAR #WZ109IT "????"
FRP1:	FIBERGLAS REINFORCED PANELS "WHITE"
NOTE: ALL CABINET INTERIORS TO BE WHITE MELAMINE UNLESS OTHERWISE NOTED.	
CABINET HARDWARE:	
HINGES: BLUM 125° CONCEALED SELF CLOSING	
PULLS : HAFELE #116.05.922 WIRE PULL	
SS LEGS	

REVISIONS	BY
JOB#	
DRAWN BY:	DATE
TM	04/23/05



**B**  
5-1  
**ELEVATION**  
SCALE: 3/8" = 1'-0"  
ARCH. REF: D/9



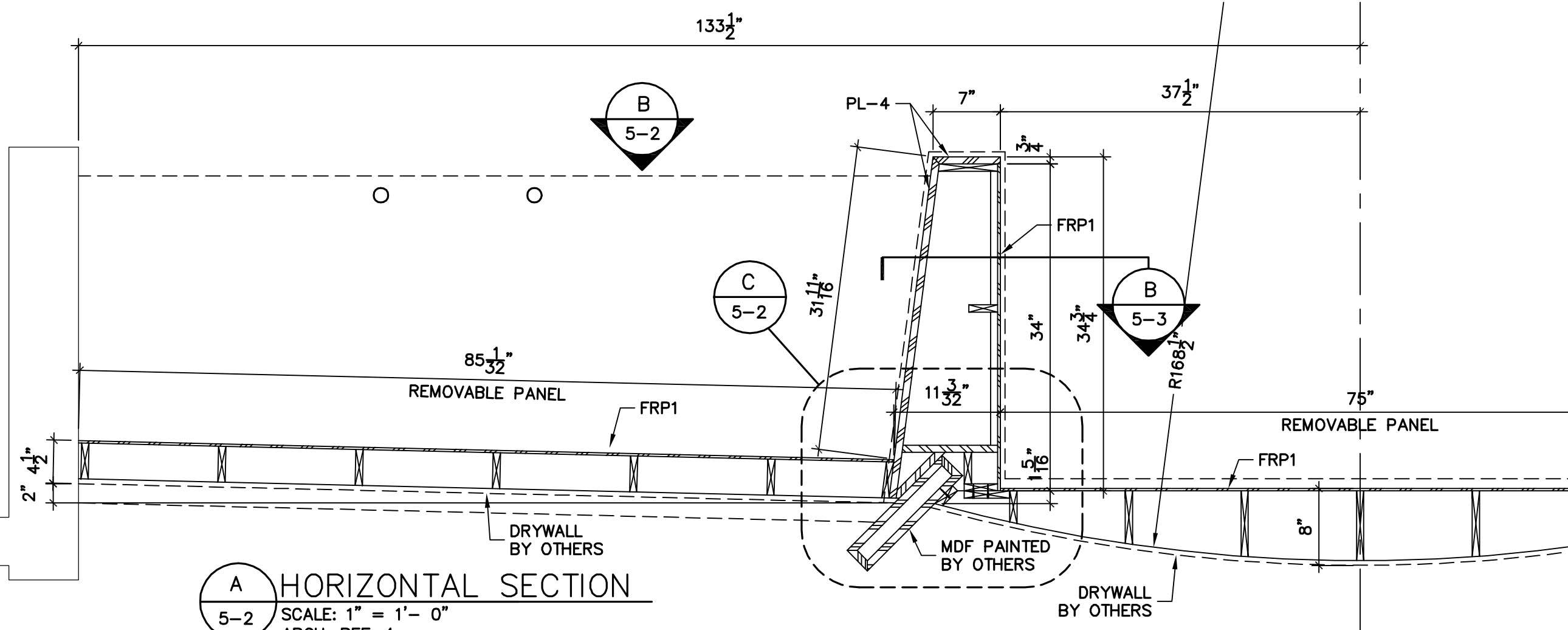
**C**  
5-1  
**BACK COUNTER ELEVATION**  
SCALE: 3/8" = 1'-0"  
ARCH. REF: A/5

Job Name:

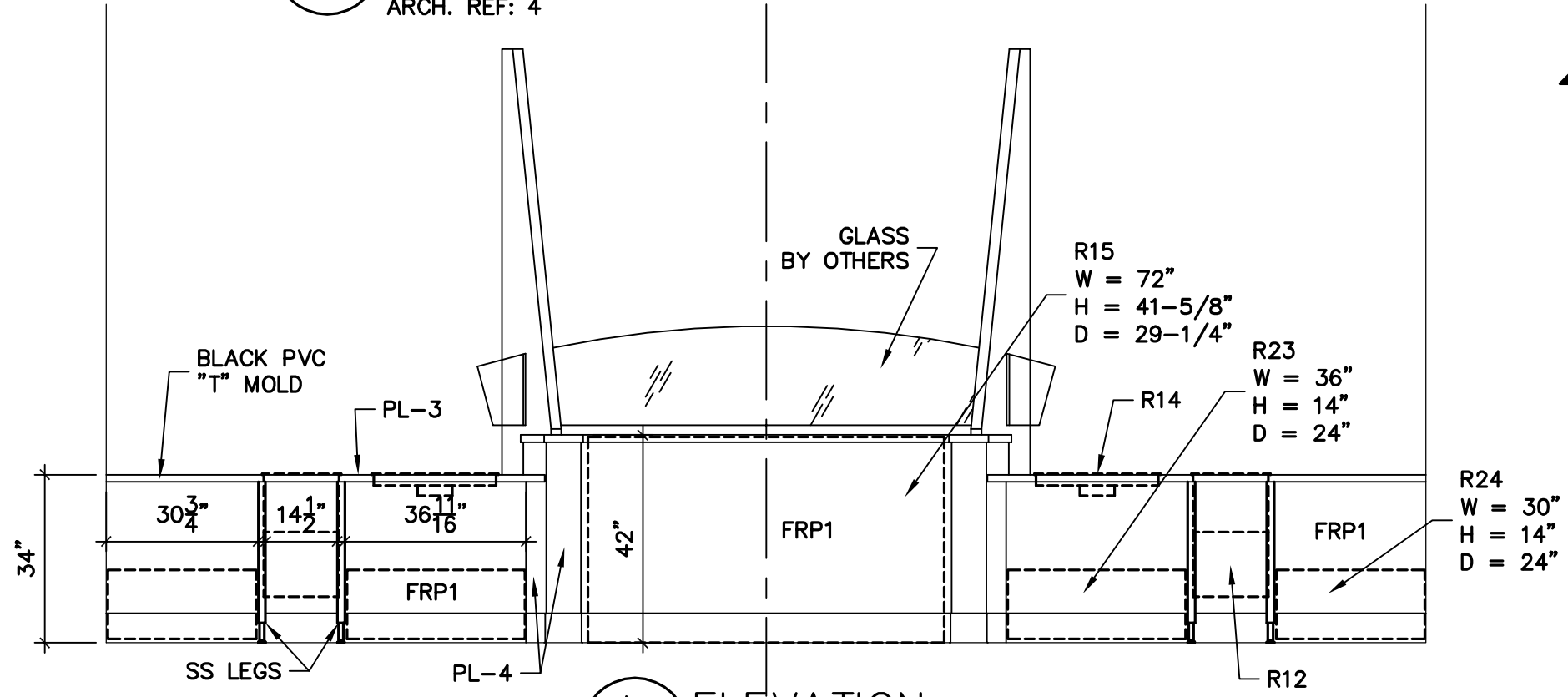
Contractor:

Architect:

Location:



**A**  
5-2  
**HORIZONTAL SECTION**  
SCALE: 1" = 1'- 0"  
ARCH. REF: 4



**b**  
5-2  
**ELEVATION**  
SCALE: 3/8" = 1'- 0"  
ARCH. REF: B/5

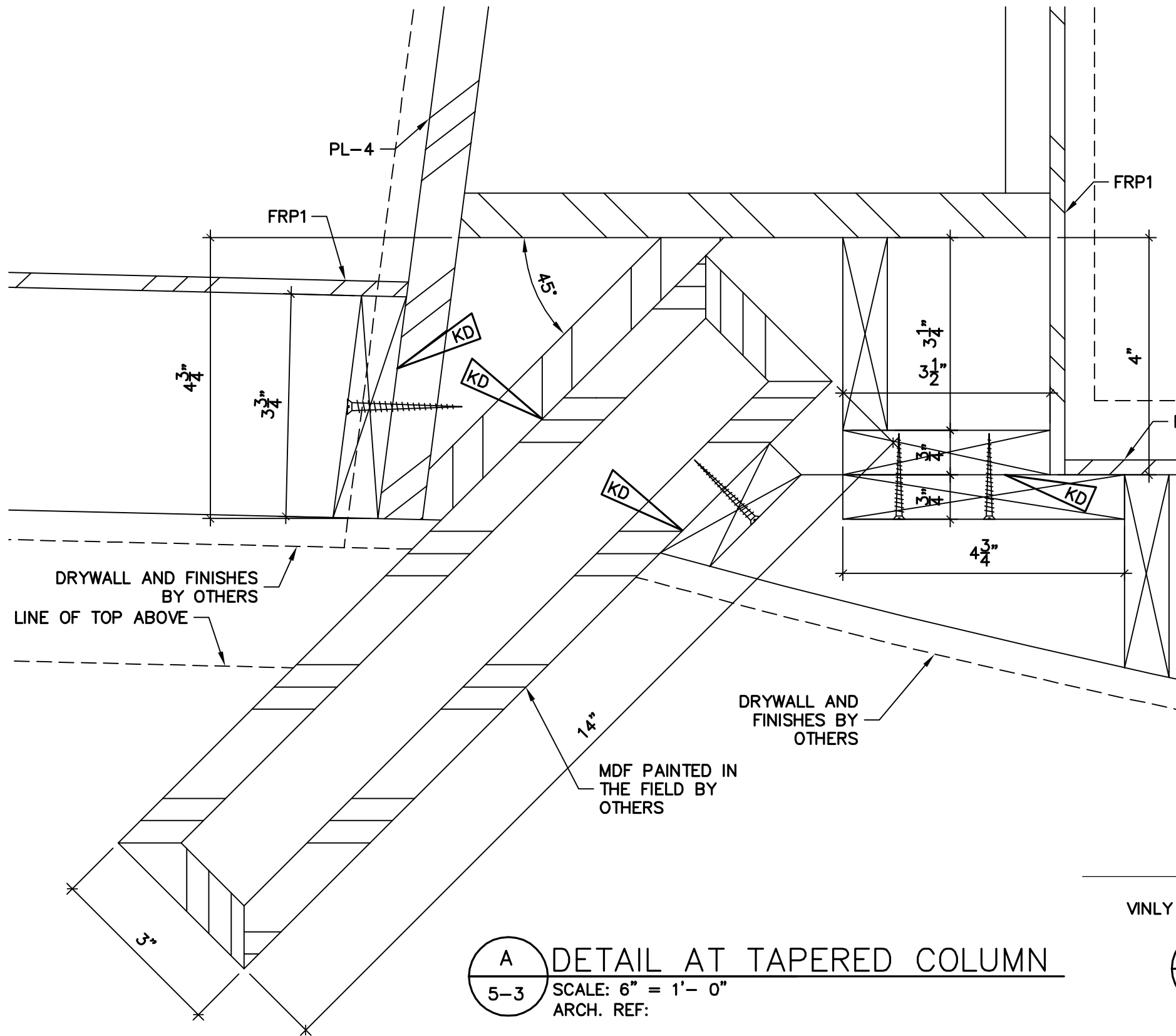
REVISIONS	BY
JOB#	
DRAWN BY:	DATE
TM	04/25/05

Job Name:

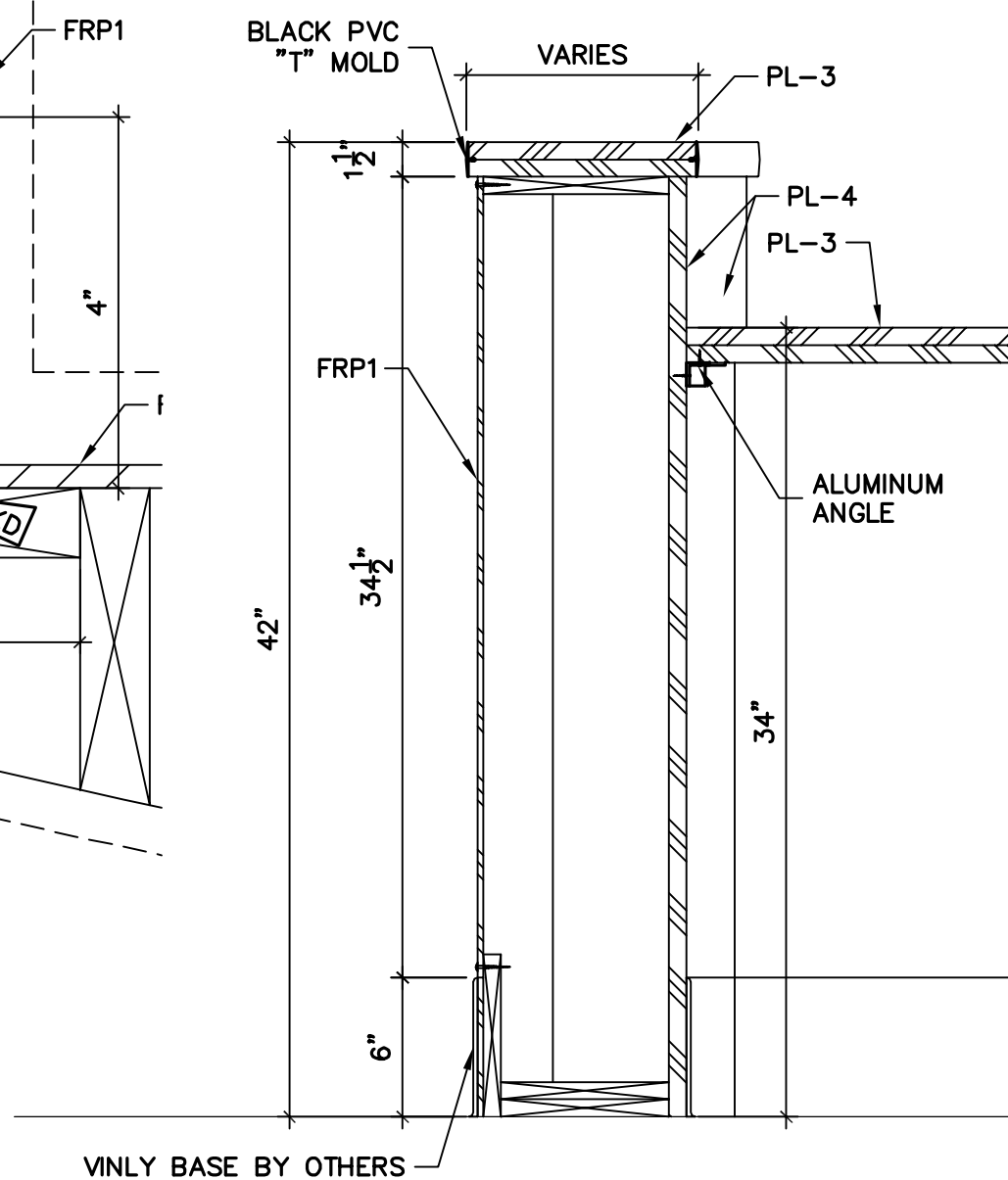
Contractor:

Architect:

Location:



**A** **DETAIL AT TAPERED COLUMN**  
 5-3 SCALE: 6" = 1'- 0"  
 ARCH. REF:



**B** **VERTICAL SECTION**  
 5-3 SCALE: 1-1/2" = 1'- 0"  
 ARCH. REF:

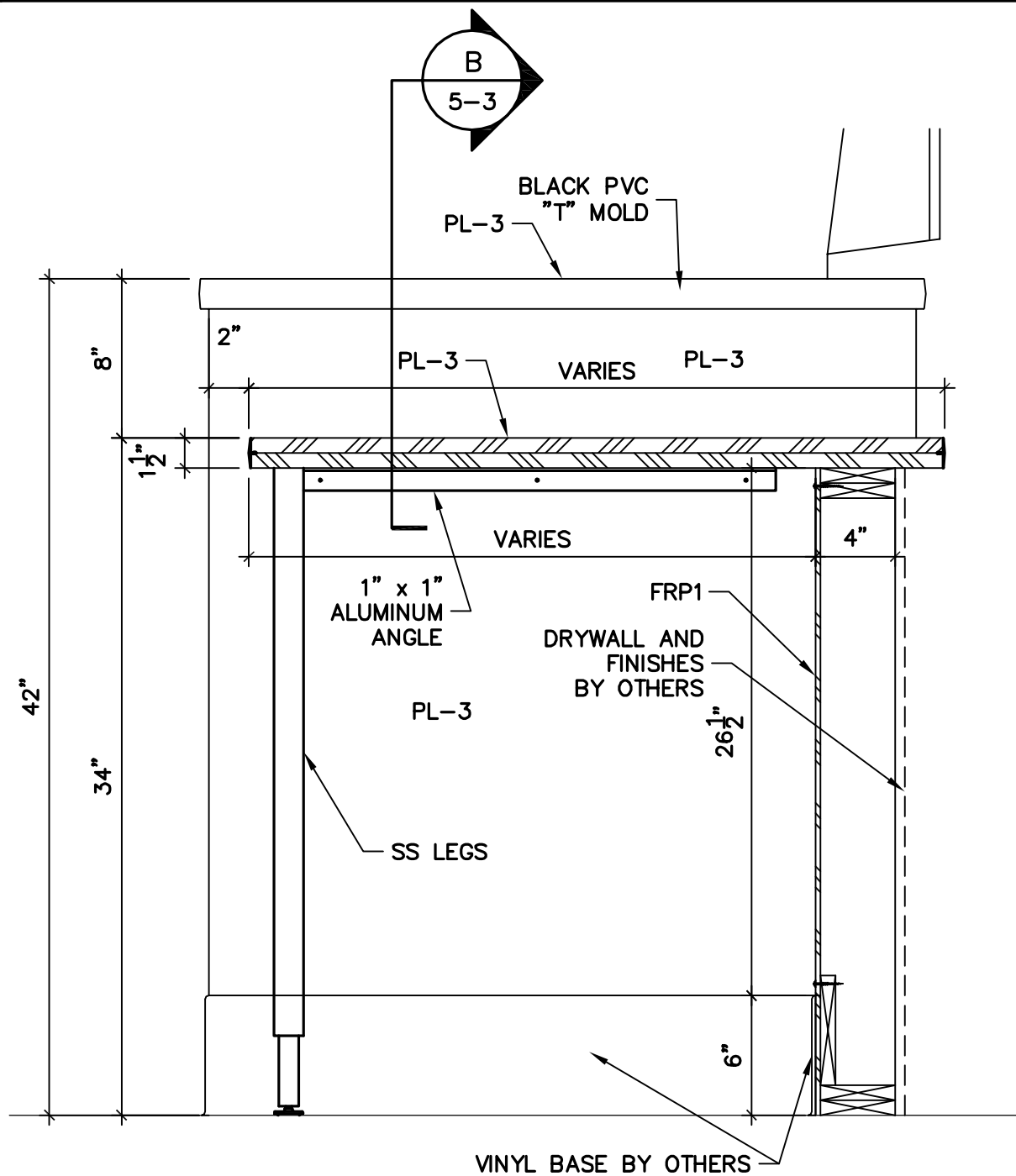
REVISIONS	BY
JOB#	
DRAWN BY:	DATE
TM	04/25/05

Job Name:

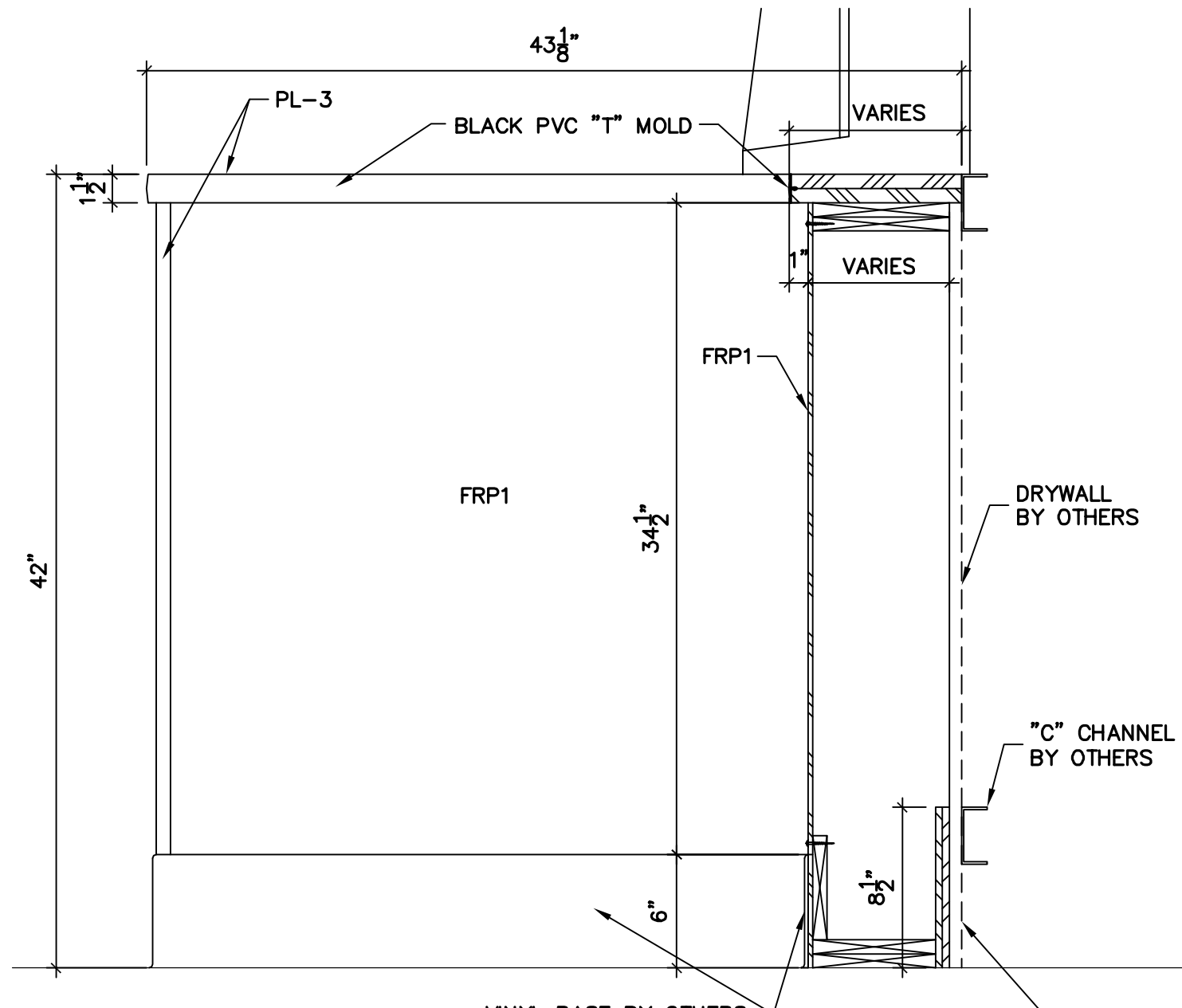
Contractor:

Architect:

Location:



**A** VERTICAL SECTION  
 5-4 SCALE: 1-1/2" = 1'- 0"  
 ARCH. REF: A/6



**B** VERTICAL SECTION  
 5-4 SCALE: 1-1/2" = 1'- 0"  
 ARCH. REF: B/6

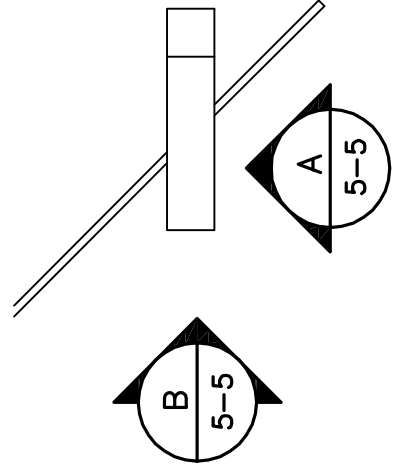
REVISIONS	BY
JOB#	
DRAWN BY:	DATE
TM	04/25/05

Job Name:

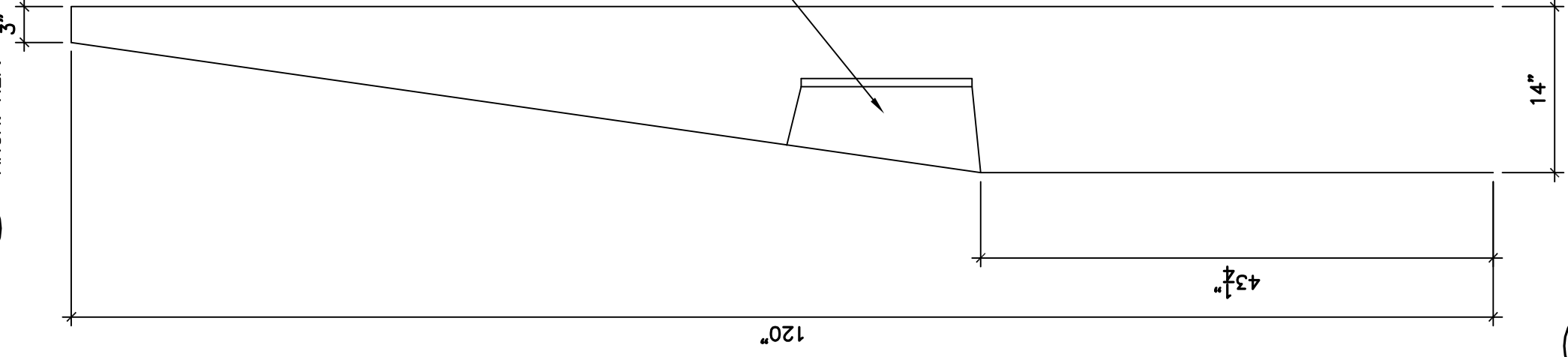
Contractor:

Architect:

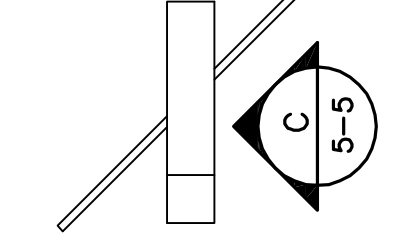
Location:



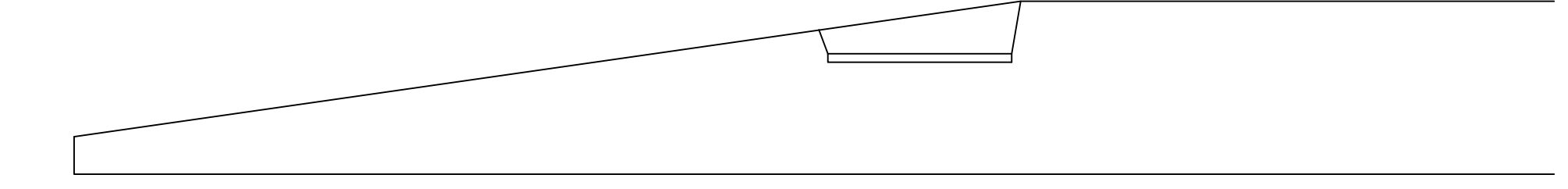
**D PLAN VIEW**  
 5-5 SCALE: 1" = 1'- 0"  
 ARCH. REF:



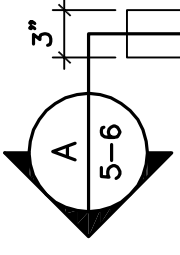
**A ELEVATION**  
 5-5 SCALE: 1" = 1'- 0"  
 ARCH. REF:



**E PLAN VIEW**  
 5-5 SCALE: 1" = 1'- 0"  
 ARCH. REF:



**C ELEVATION**  
 5-5 SCALE: 1" = 1'- 0"  
 ARCH. REF:



**B ELEVATION**  
 5-5 SCALE: 1" = 1'- 0"  
 ARCH. REF:

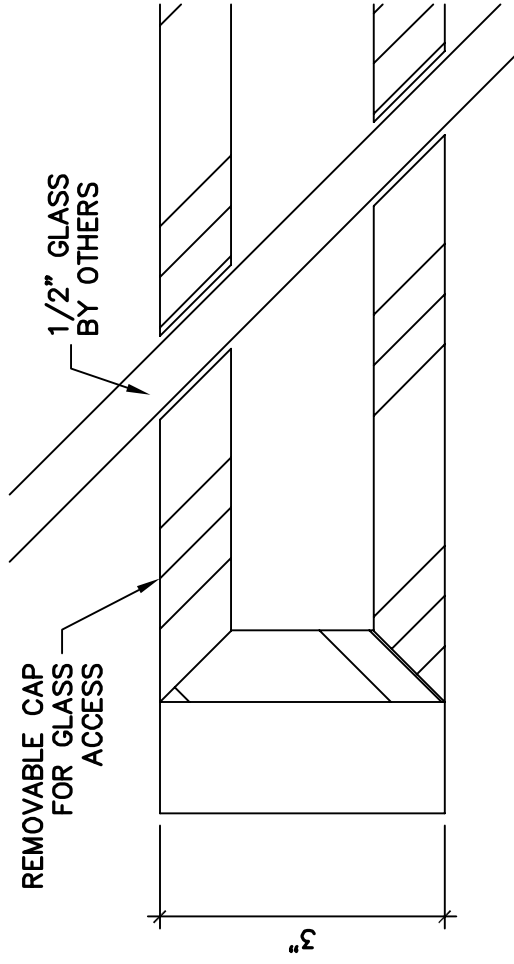
Job Name:

Contractor:

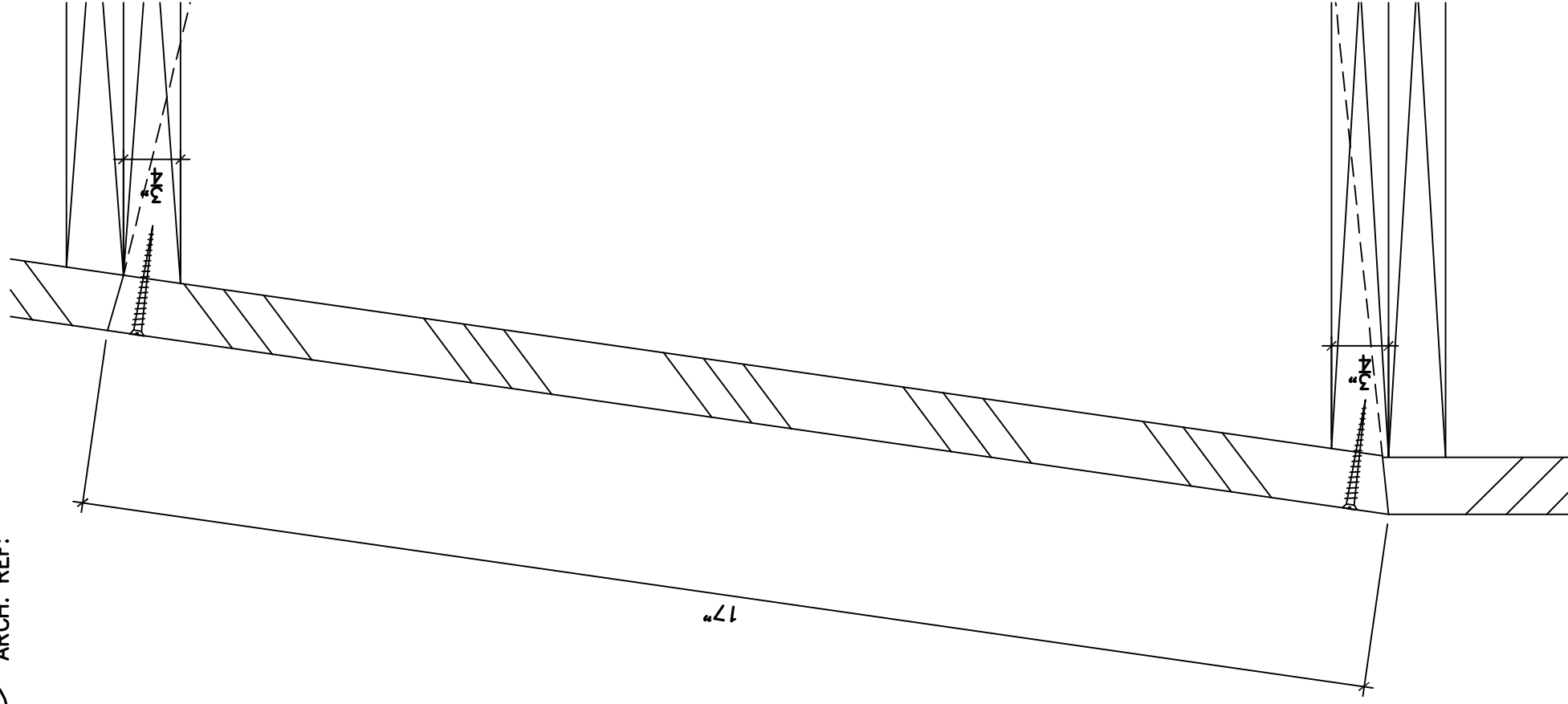
Architect:

Location:

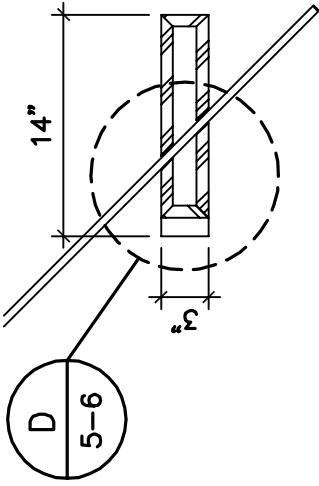
REVISIONS	BY
JOB#	
DRAWN BY:	DATE
TM	04/25/05



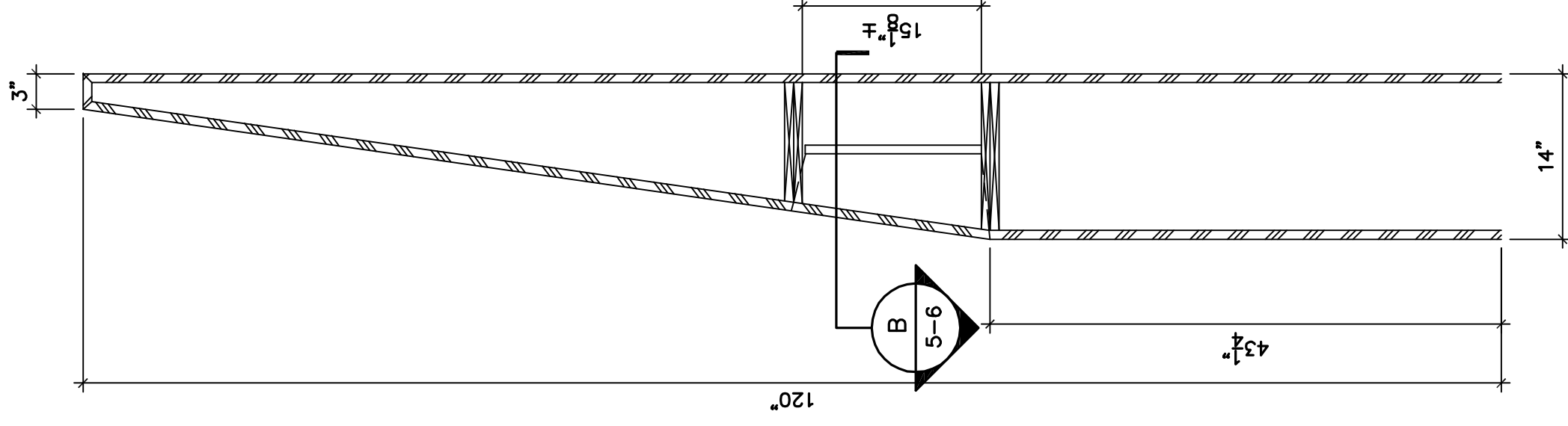
**D** 5-6  
 SCALE: 6" = 1'-0"  
 ARCH. REF:



**C** 5-6  
 SCALE: 6" = 1'-0"  
 ARCH. REF:



**B** 5-6  
 HORIZONTAL SECTION  
 SCALE: 1-1/2" = 1'-0"  
 ARCH. REF:



**A** 5-6  
 VERTICAL SECTION  
 SCALE: 1-1/2" = 1'-0"  
 ARCH. REF:

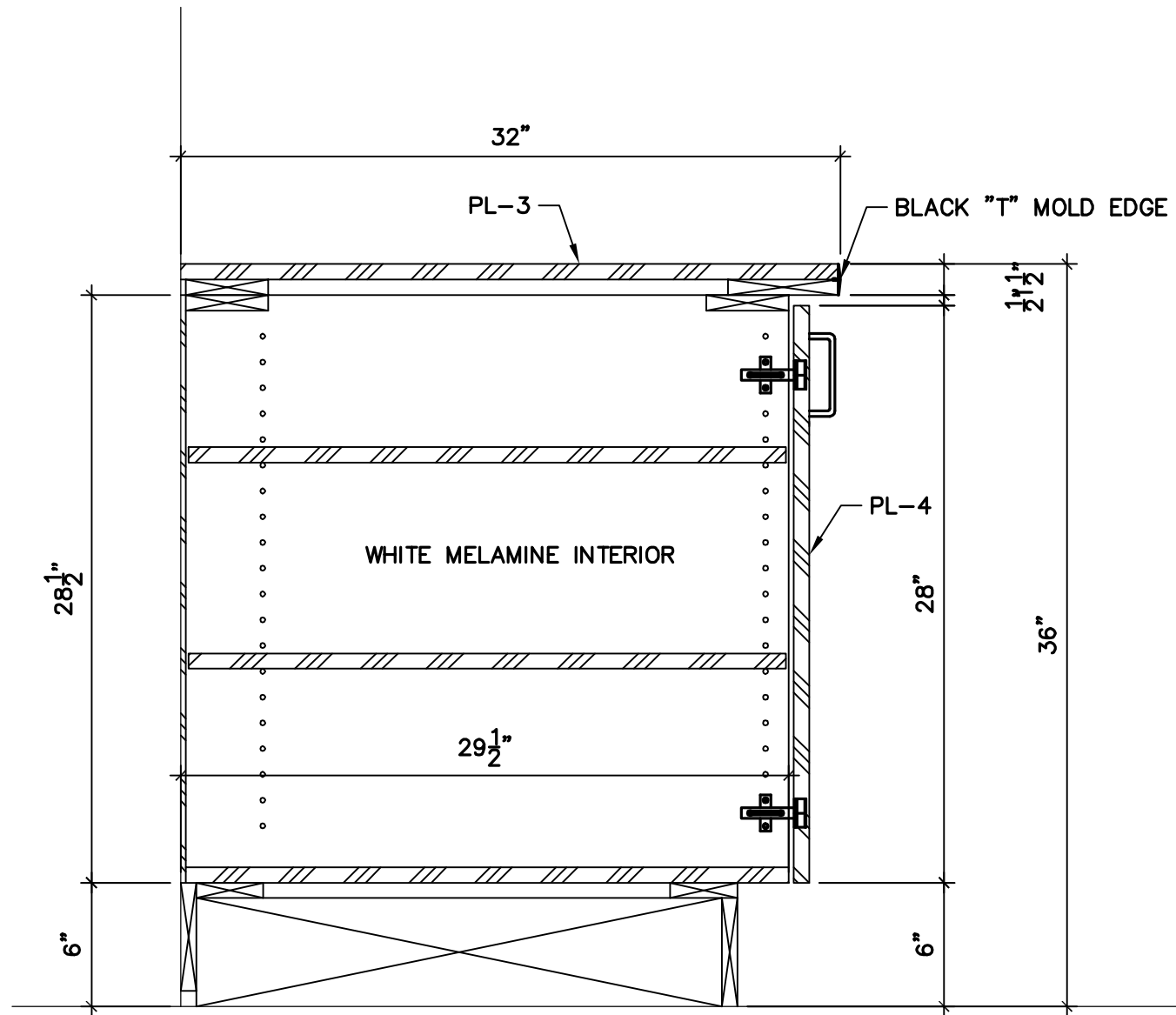
Job Name:

Contractor:

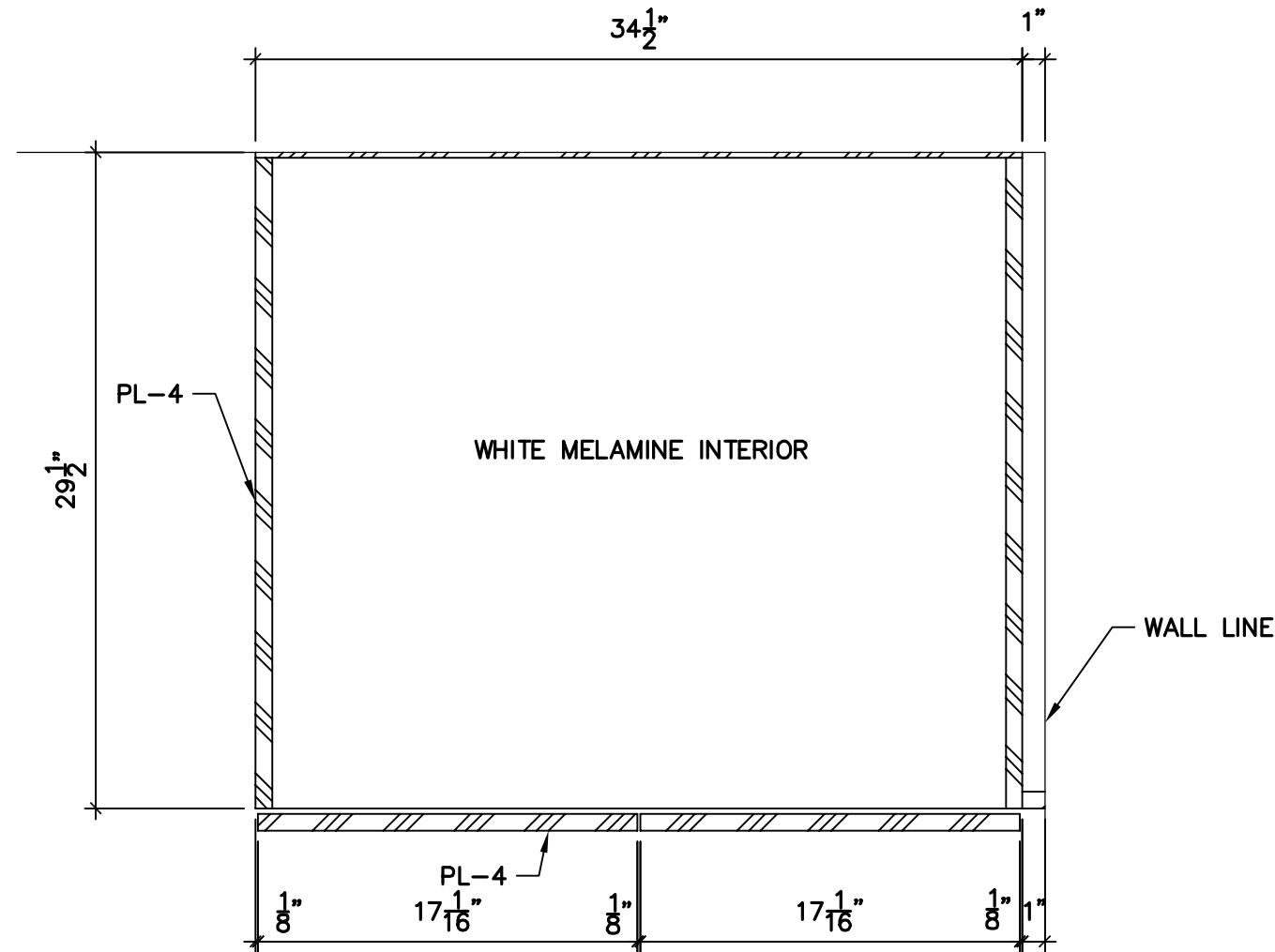
Architect:

Location:

REVISIONS	BY
JOB#	
DRAWN BY:	DATE
TM	04/25/05



**A** VERTICAL SECTION  
 5-7 SCALE: 1-1/2" = 1'- 0"  
 ARCH. REF:



**B** HORIZONTAL SECTION  
 5-7 SCALE: 1-1/2" = 1'- 0"  
 ARCH. REF:

REVISIONS	BY
JOB#	
DRAWN BY:	DATE
TM	04/25/05

Job Name:

Contractor:

Architect:

Location: