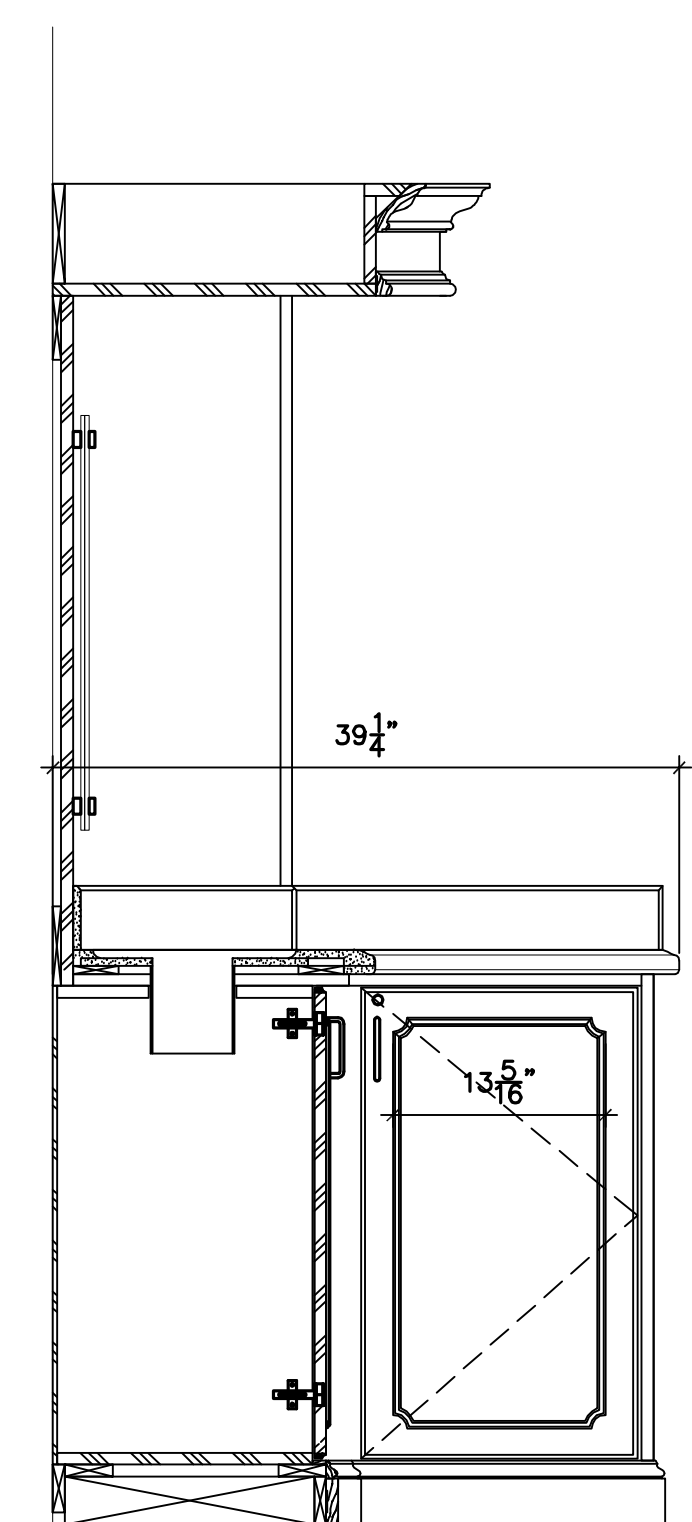
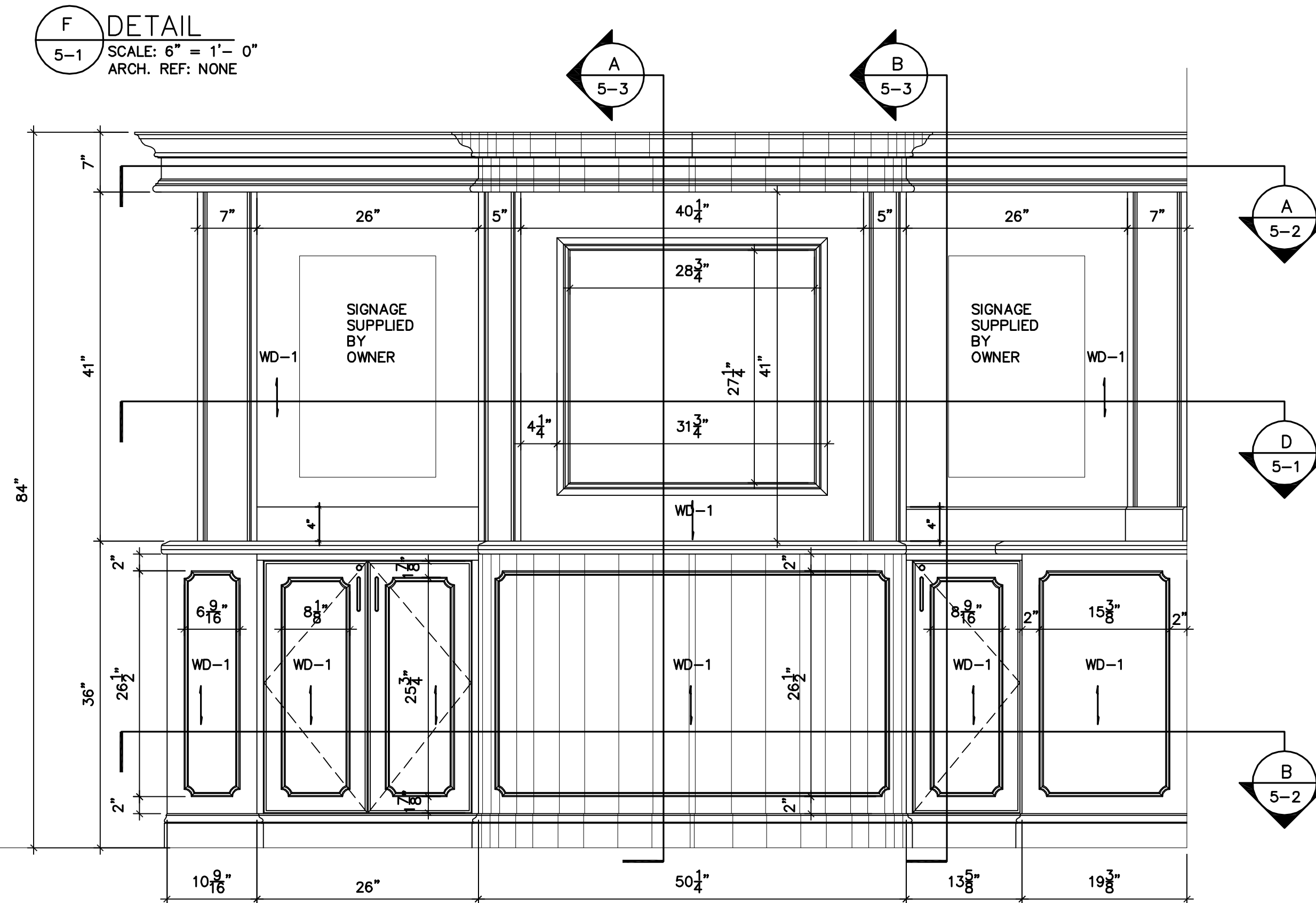
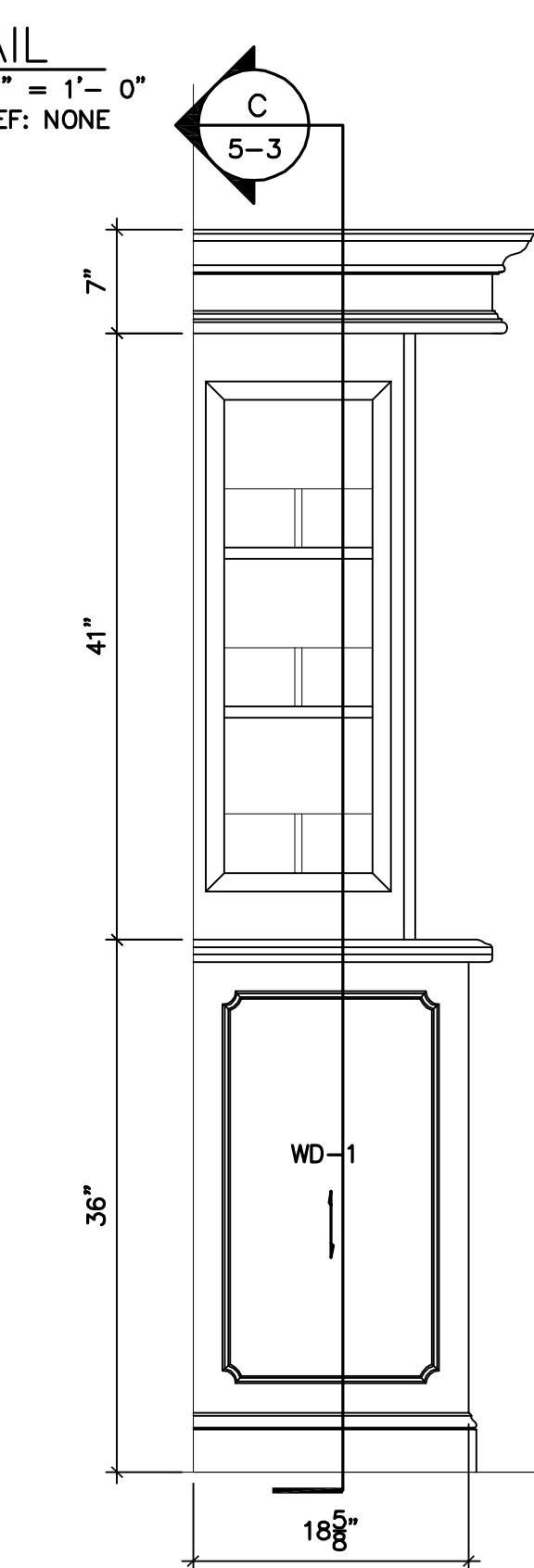
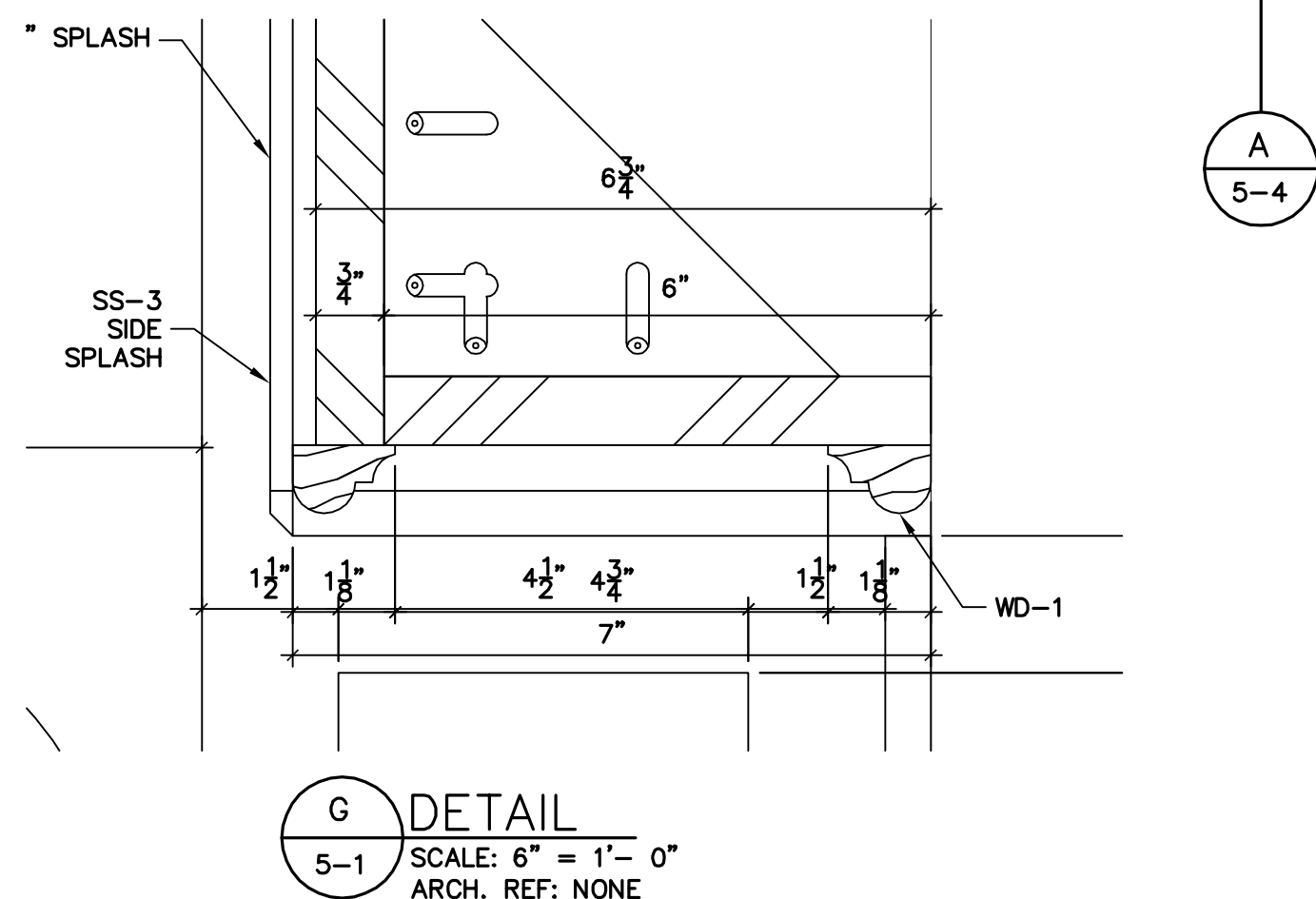
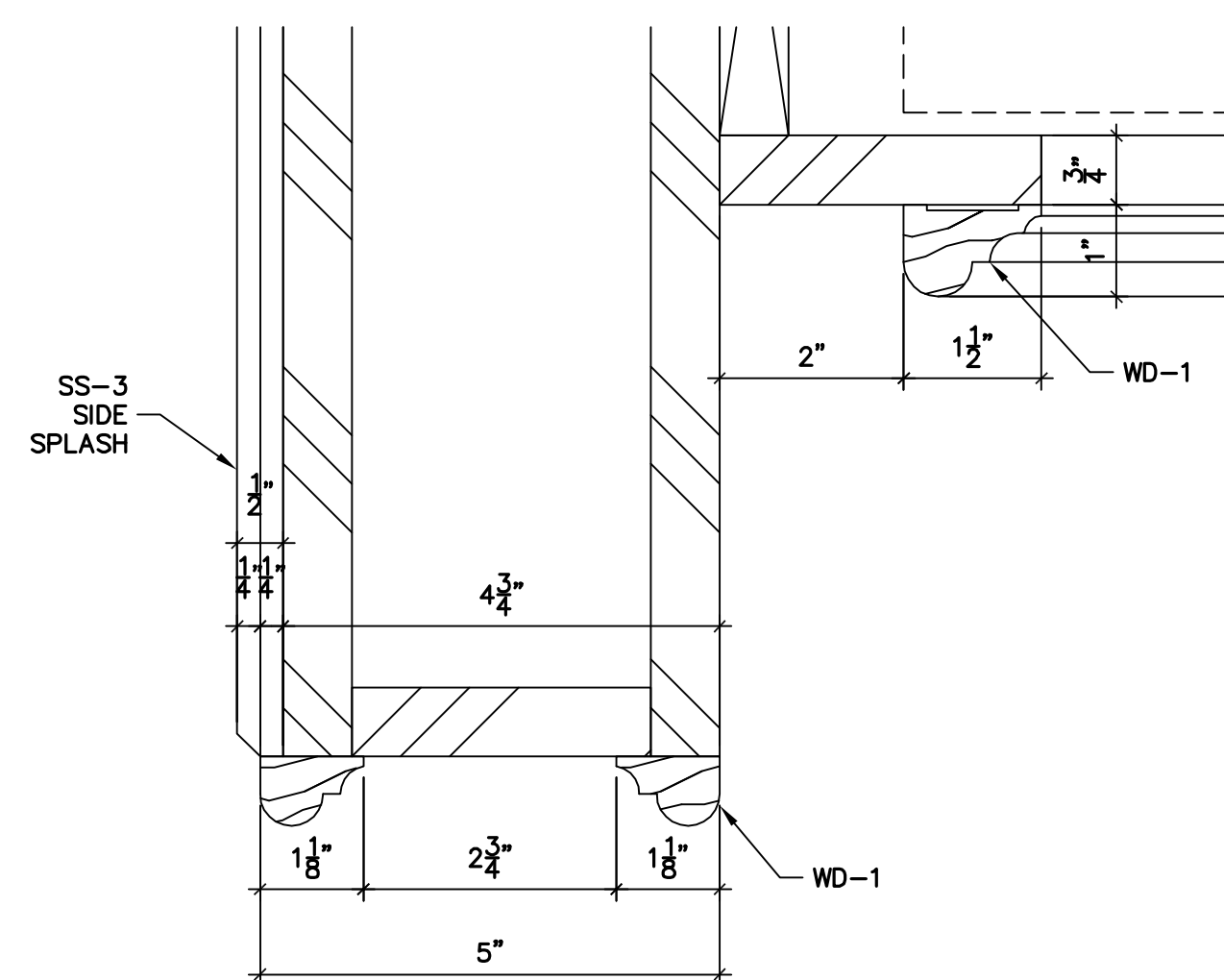
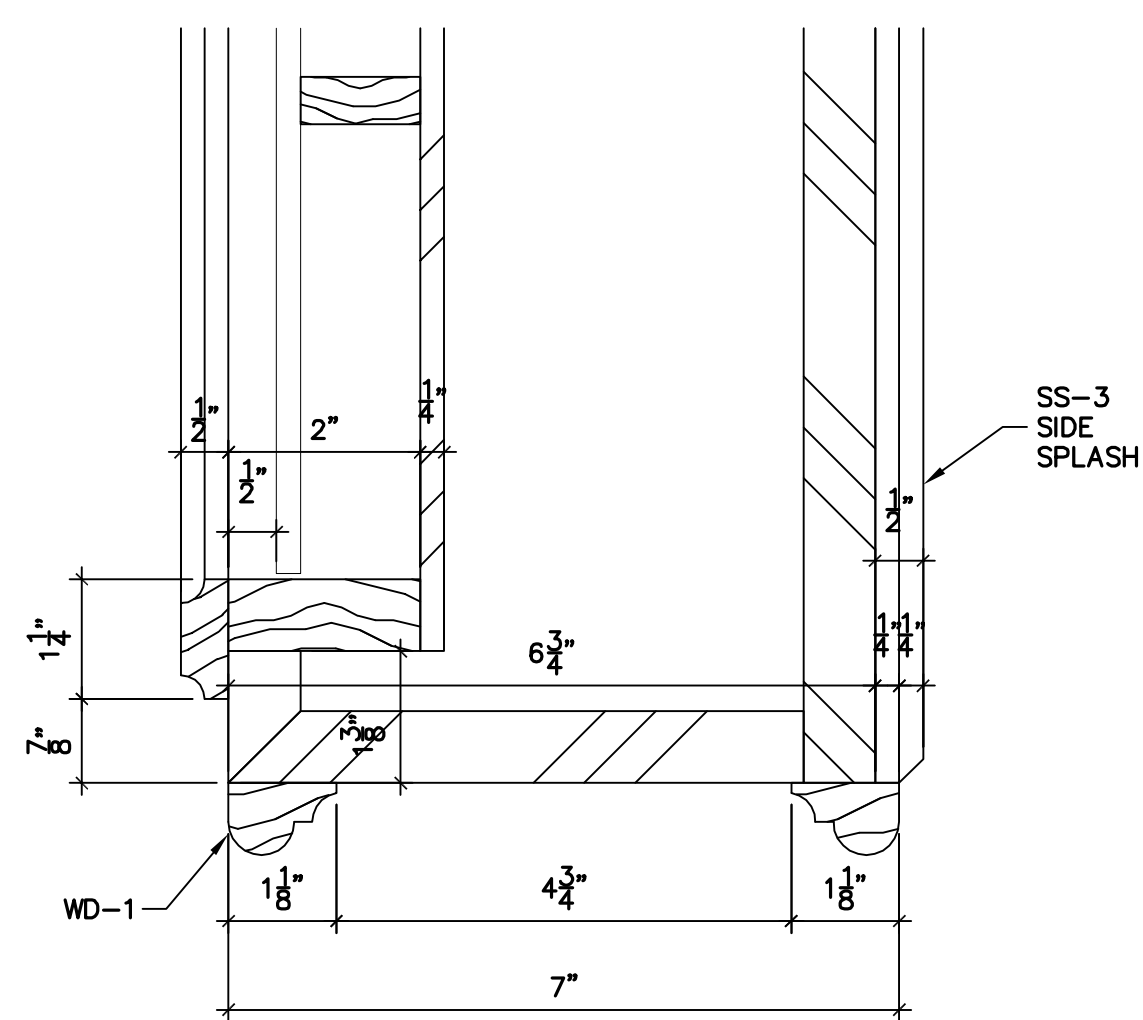
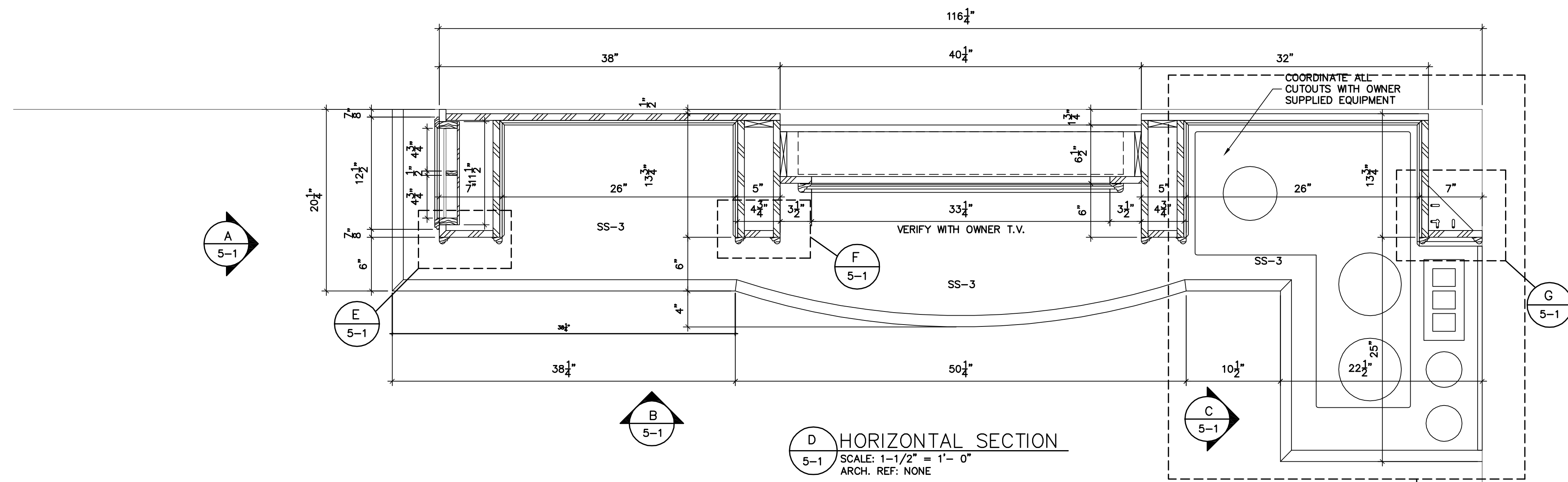


FINISHES:
 WD-1: MAPLE VENEER OR SOLID STAINED TO MATCH APPROVED SAMPLE
 SS-3: STARON #AM633 "ASPEN MINE"
 NOTE: ALL CABINETS INTERIORS TO BE WHITE MELAMINE UNLESS OTHERWISE NOTED.

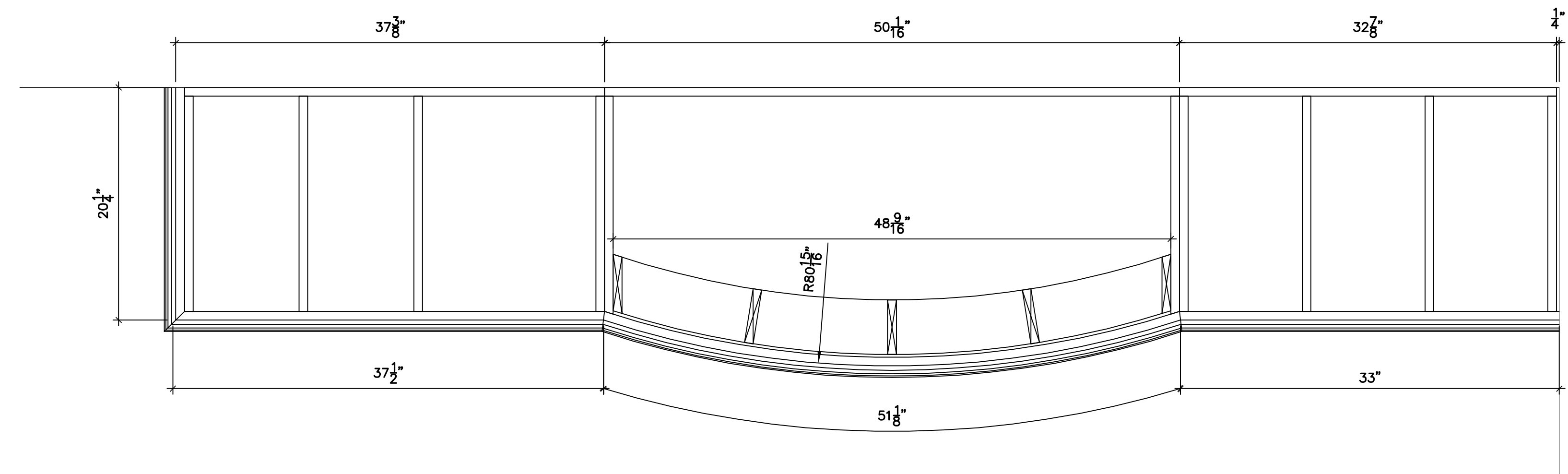
CABINET HARDWARE:
 HINGES: SALICE 125° CONCEALED SELF CLOSING
 PULLS: HAFELE #116.05.922



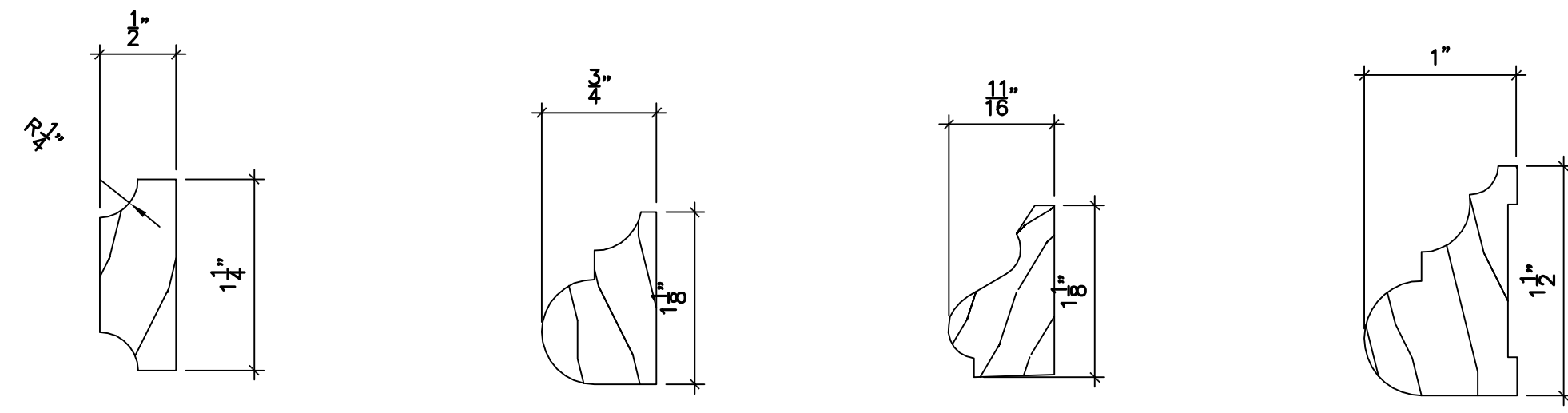
REVISIONS	BY
JOB#	
DRAWN BY:	DATE
TM	2/16/08

Job Name:

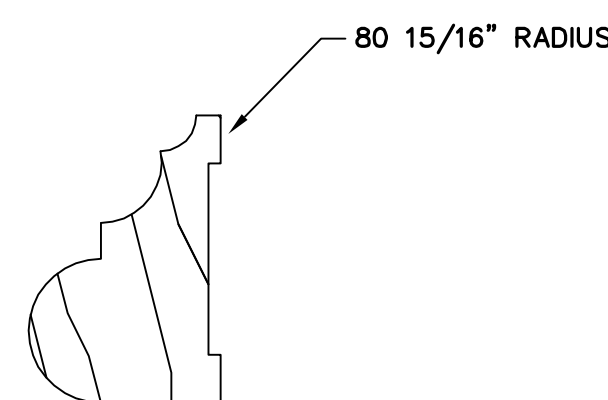
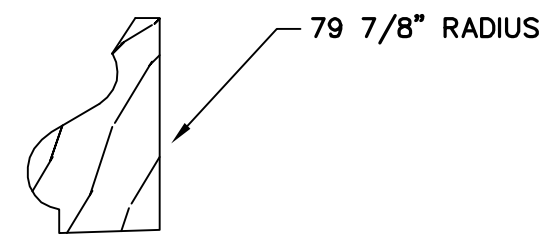
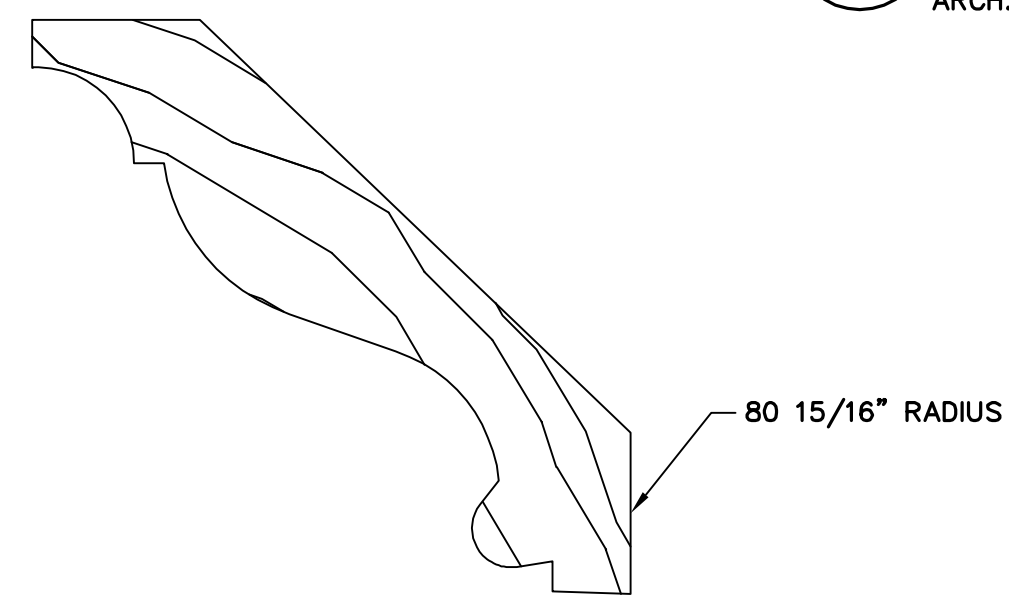
PAGE:
5-1



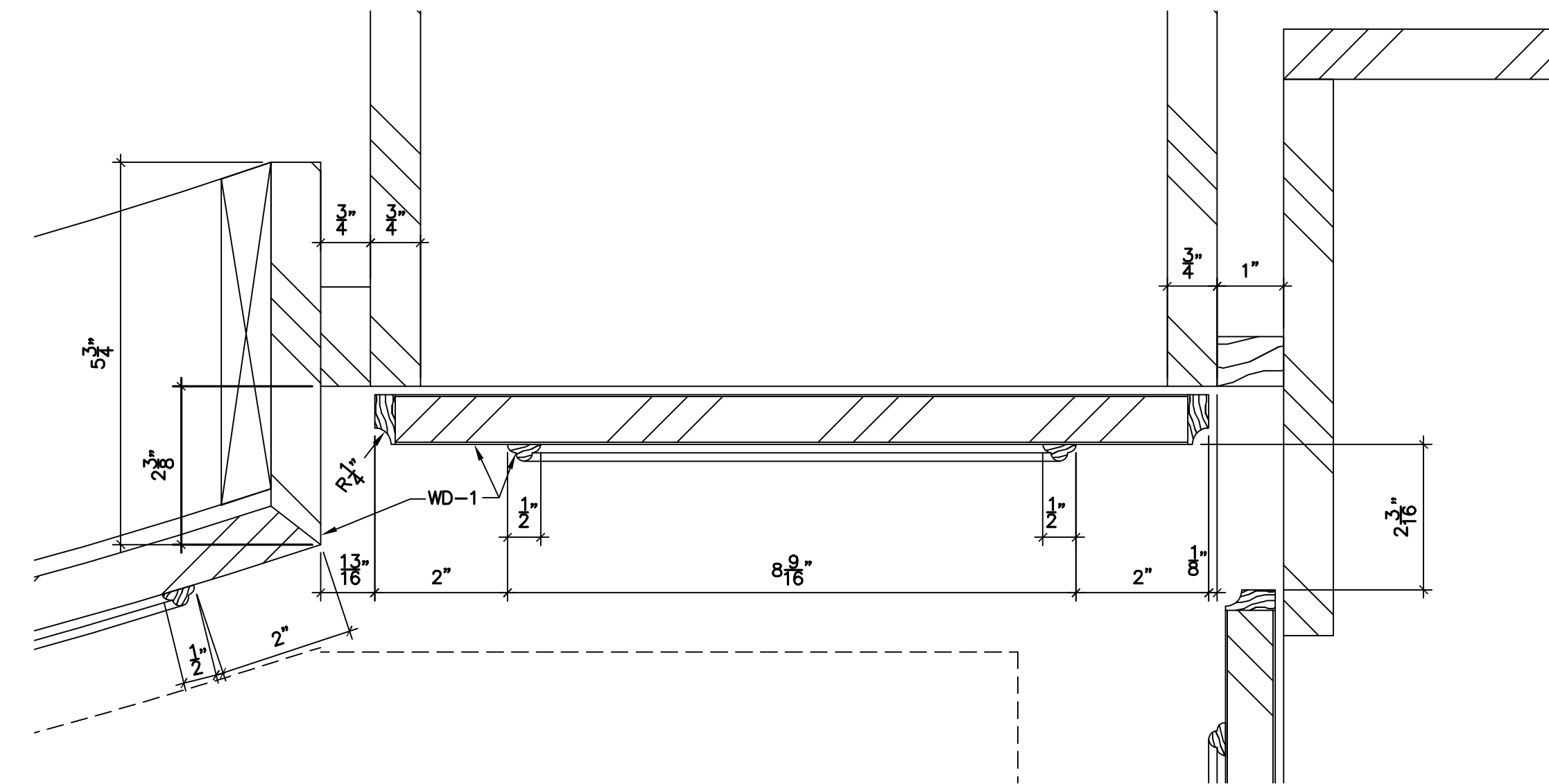
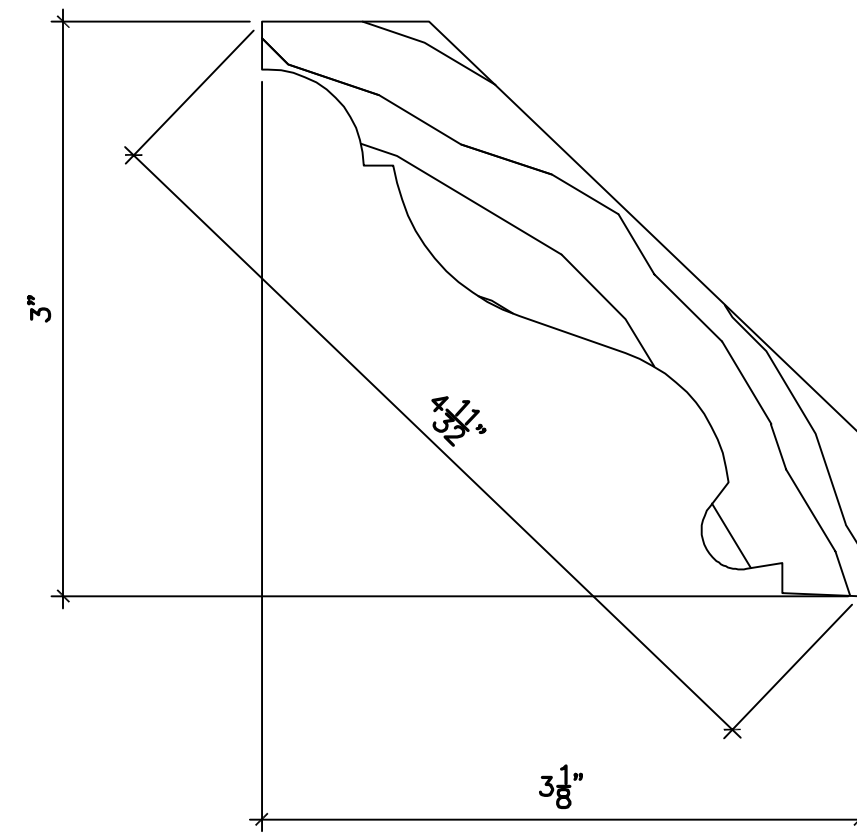
A HORIZONTAL SECTION
5-2 SCALE: 1-1/2" = 1'-0"
ARCH. REF: NONE



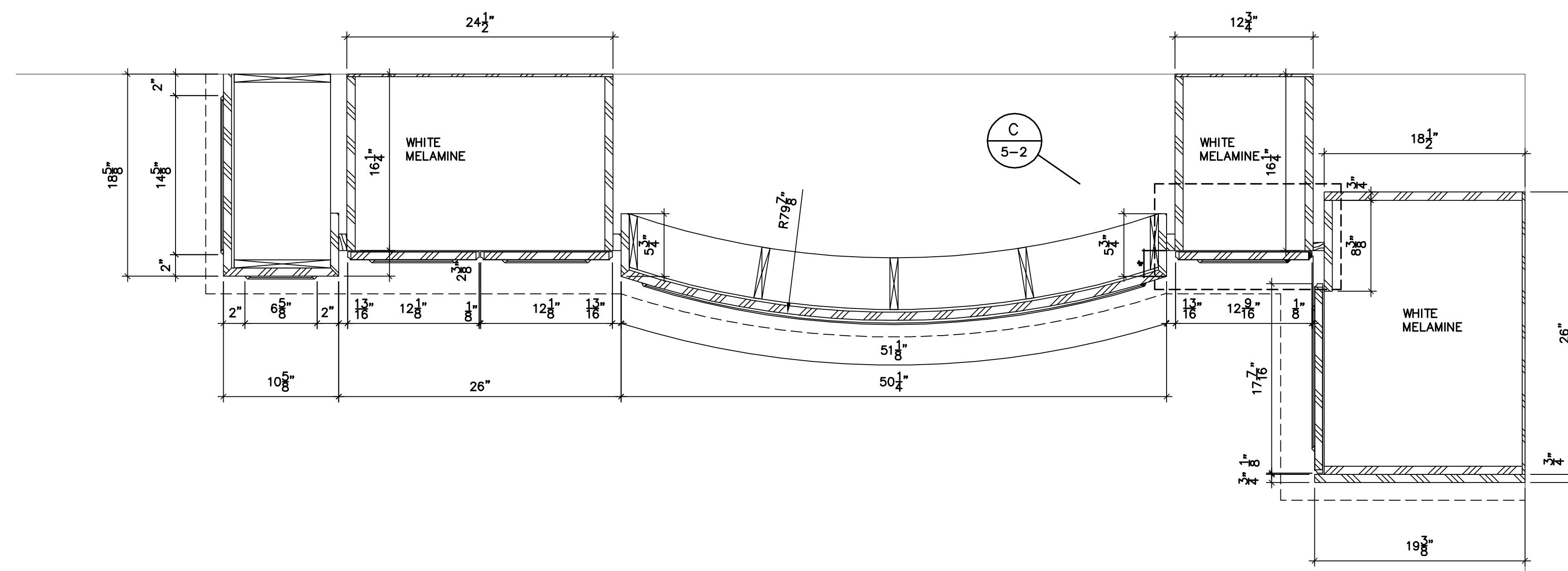
D MOLDING DETAILS
5-2 SCALE: FULL
ARCH. REF: NONE



E RADIUS MOLDING DETAILS
5-2 SCALE: FULL
ARCH. REF: NONE



C DETAIL
5-2 SCALE: 6\"/>



B HORIZONTAL SECTION
5-2 SCALE: 1-1/2" = 1'-0"
ARCH. REF: NONE

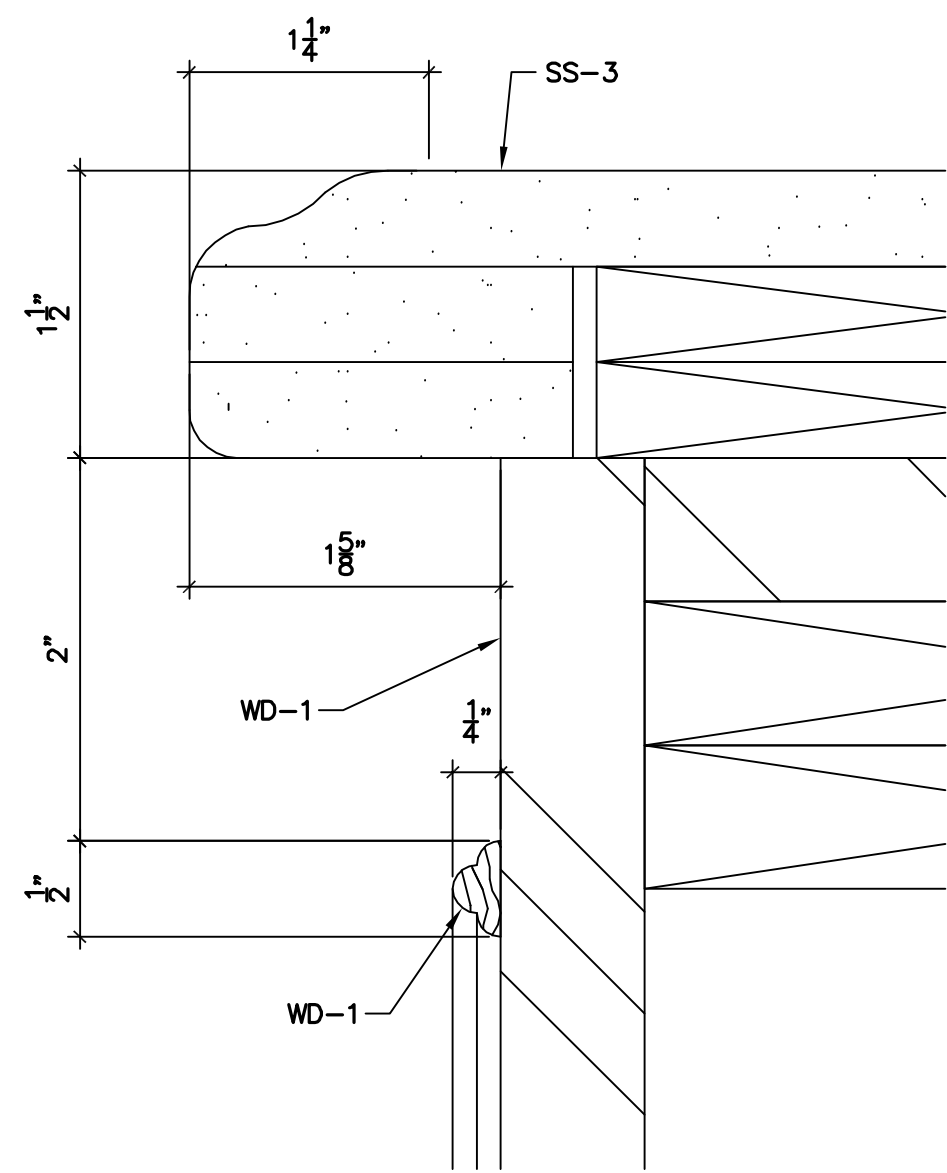
REVISIONS	BY

JOB#

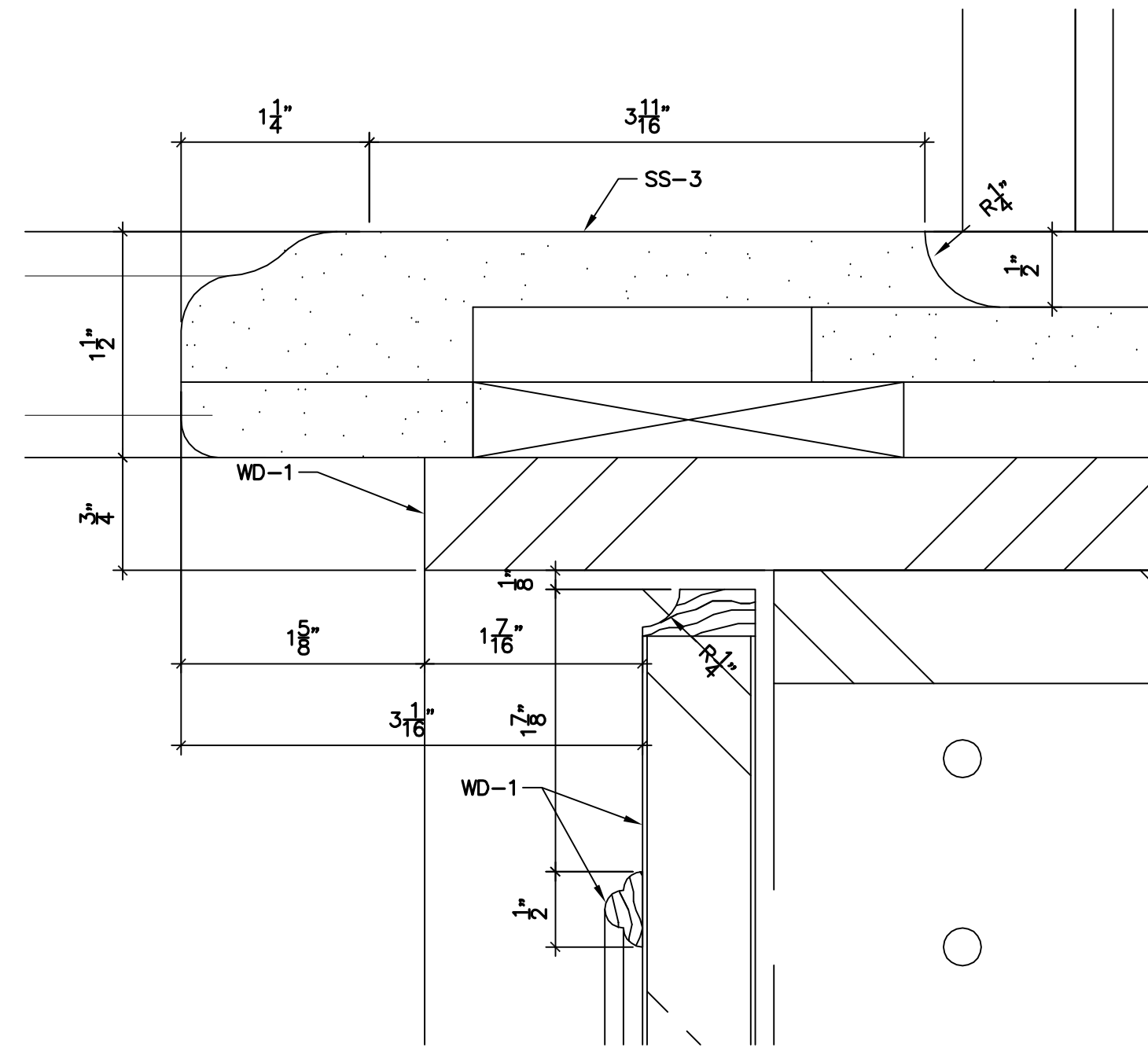
DRAWN BY:	DATE
TM	2/16/08

Job Name:

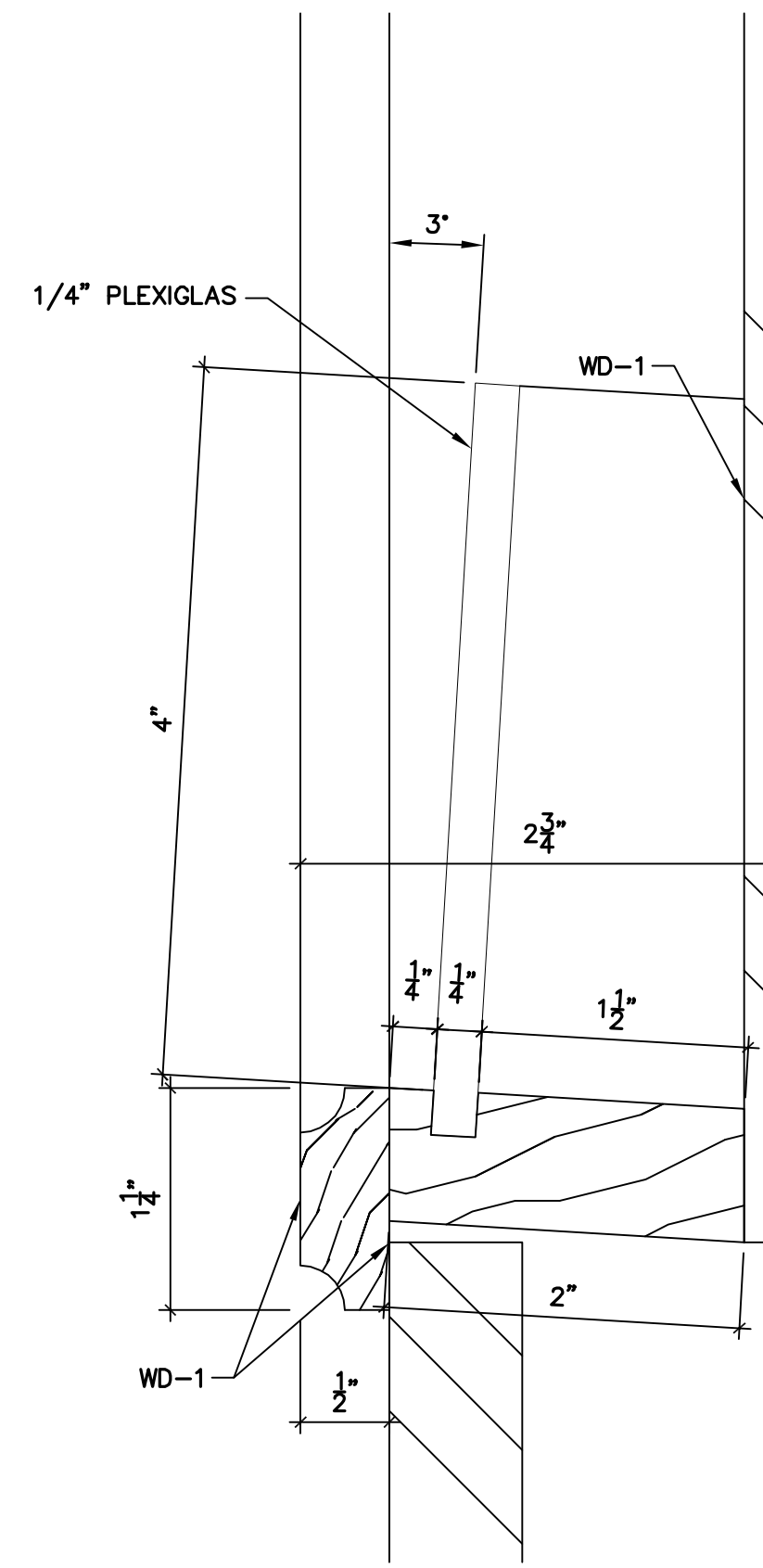
PAGE:
5-2



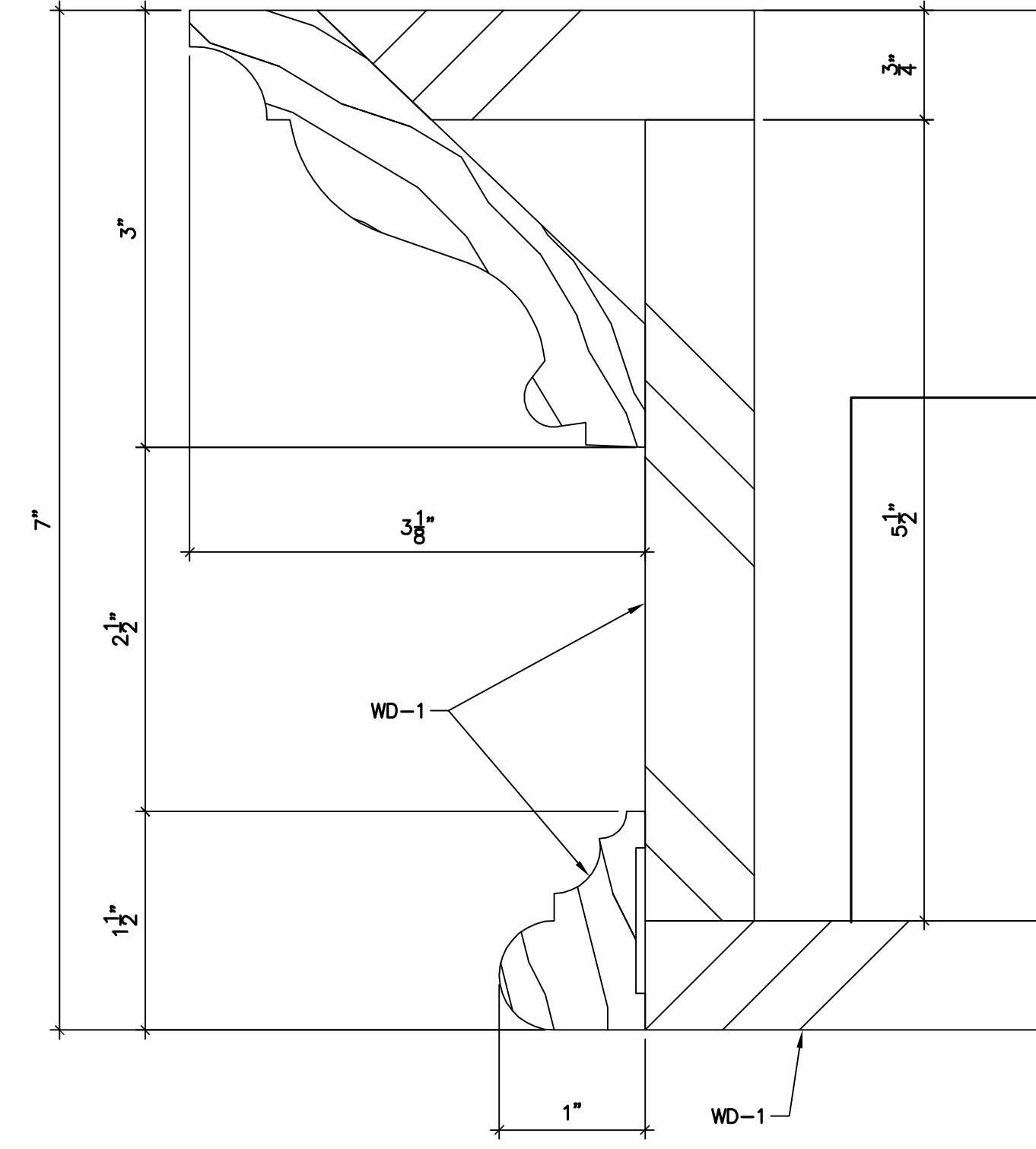
D DETAIL
5-3 SCALE: FULL
ARCH. REF: NONE



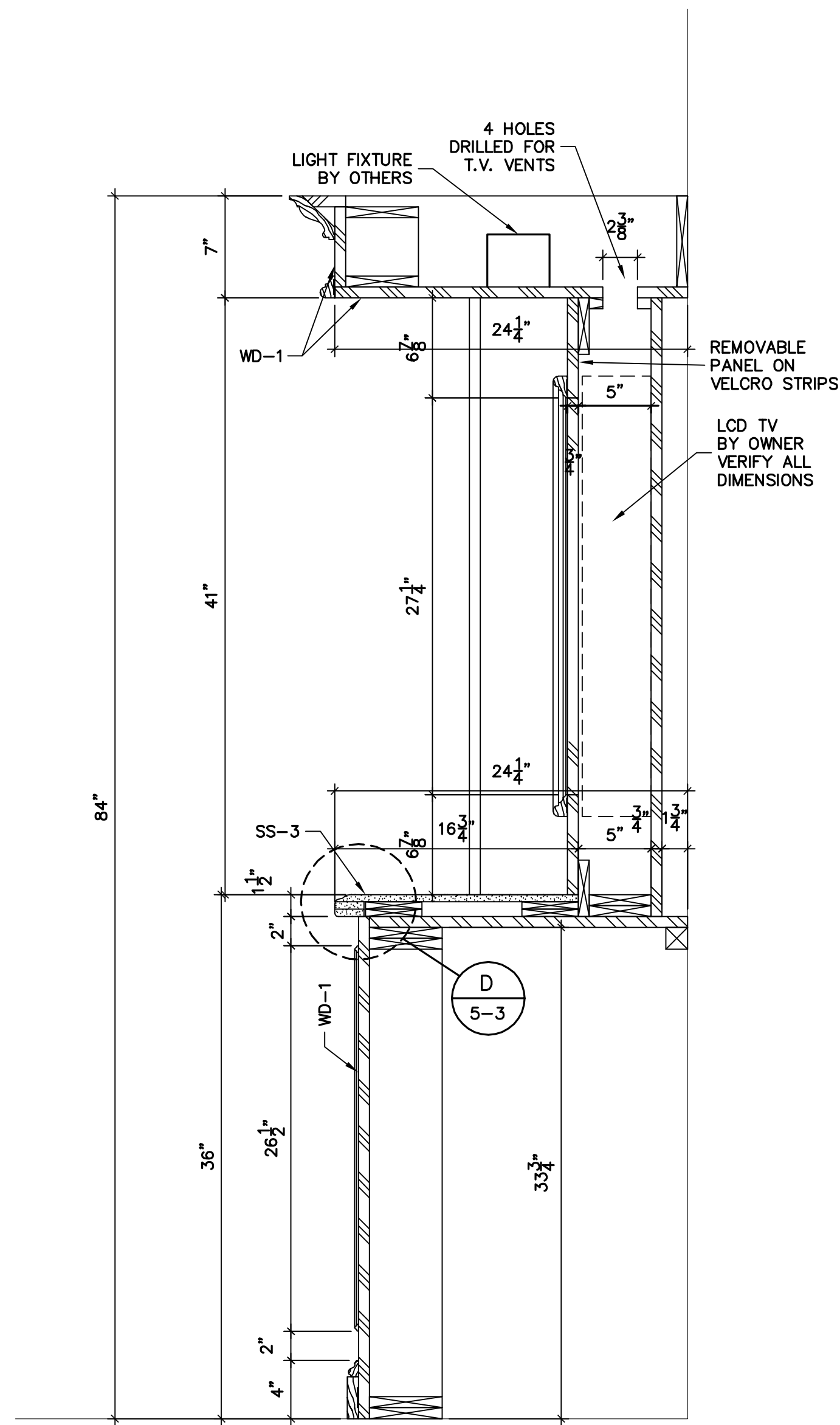
E DETAIL
5-3 SCALE: FULL
ARCH. REF: NONE



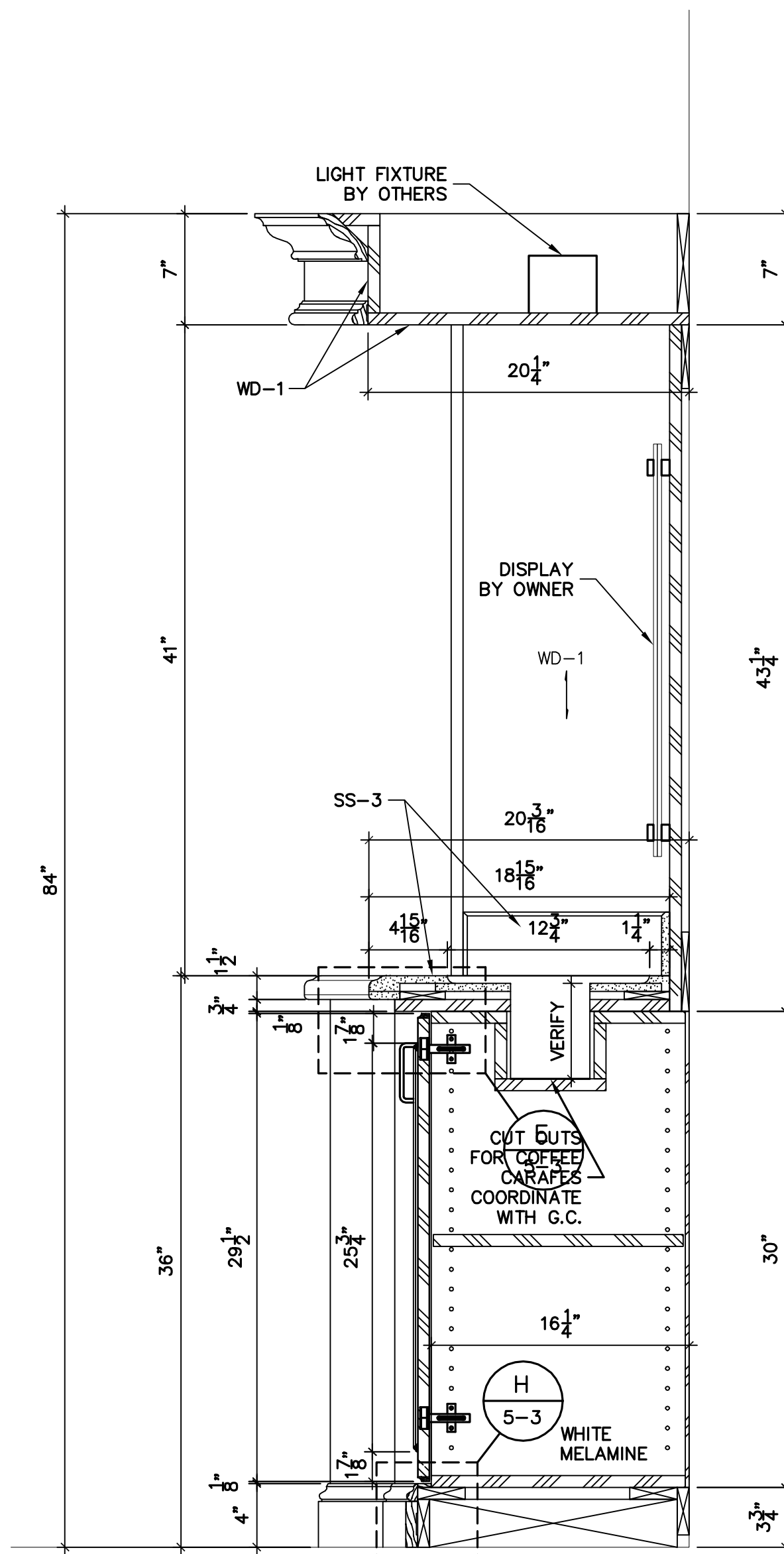
F DETAIL
5-3 SCALE: FULL
ARCH. REF: NONE



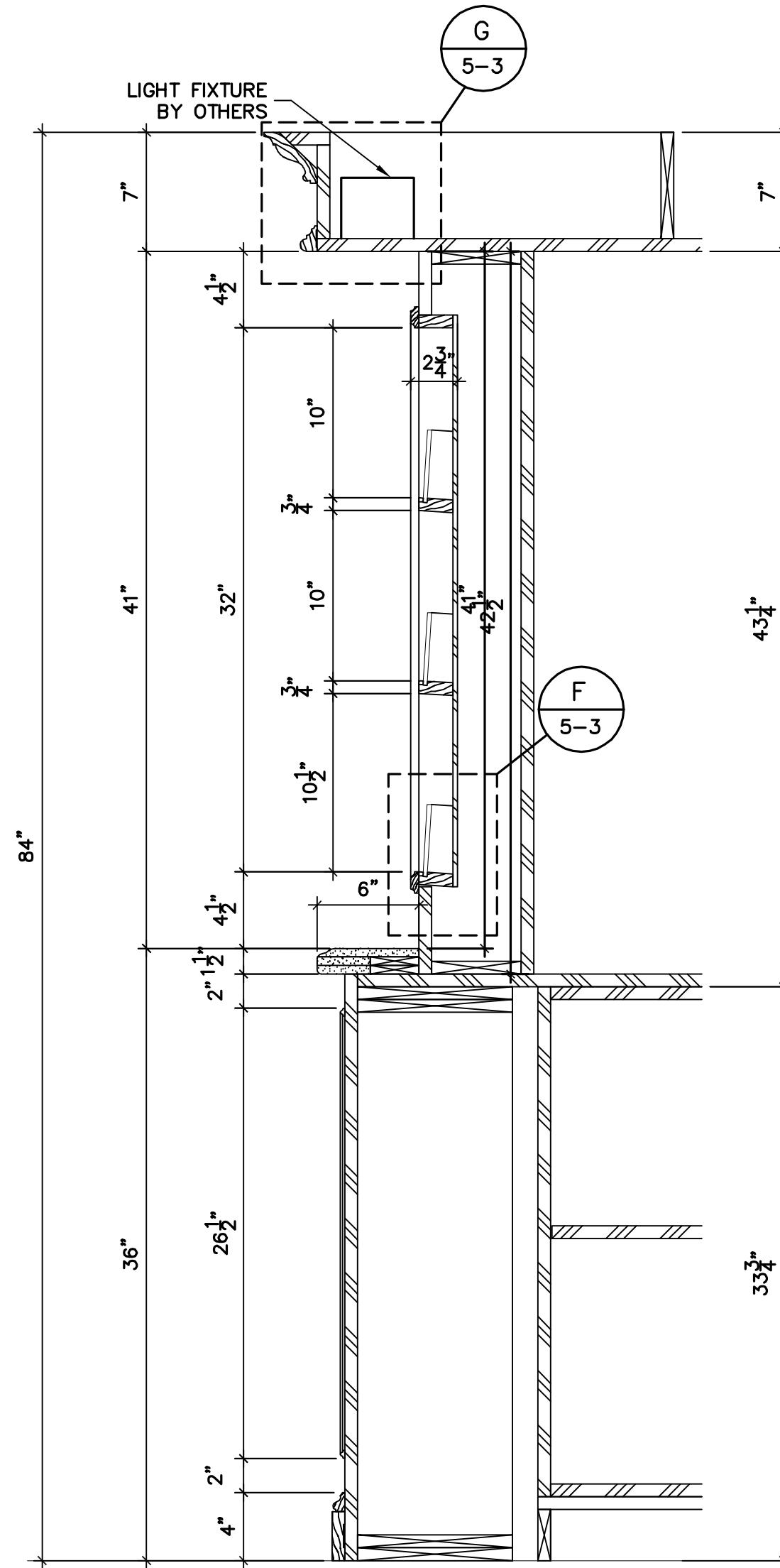
G DETAIL
5-3 SCALE: FULL
ARCH. REF: NONE



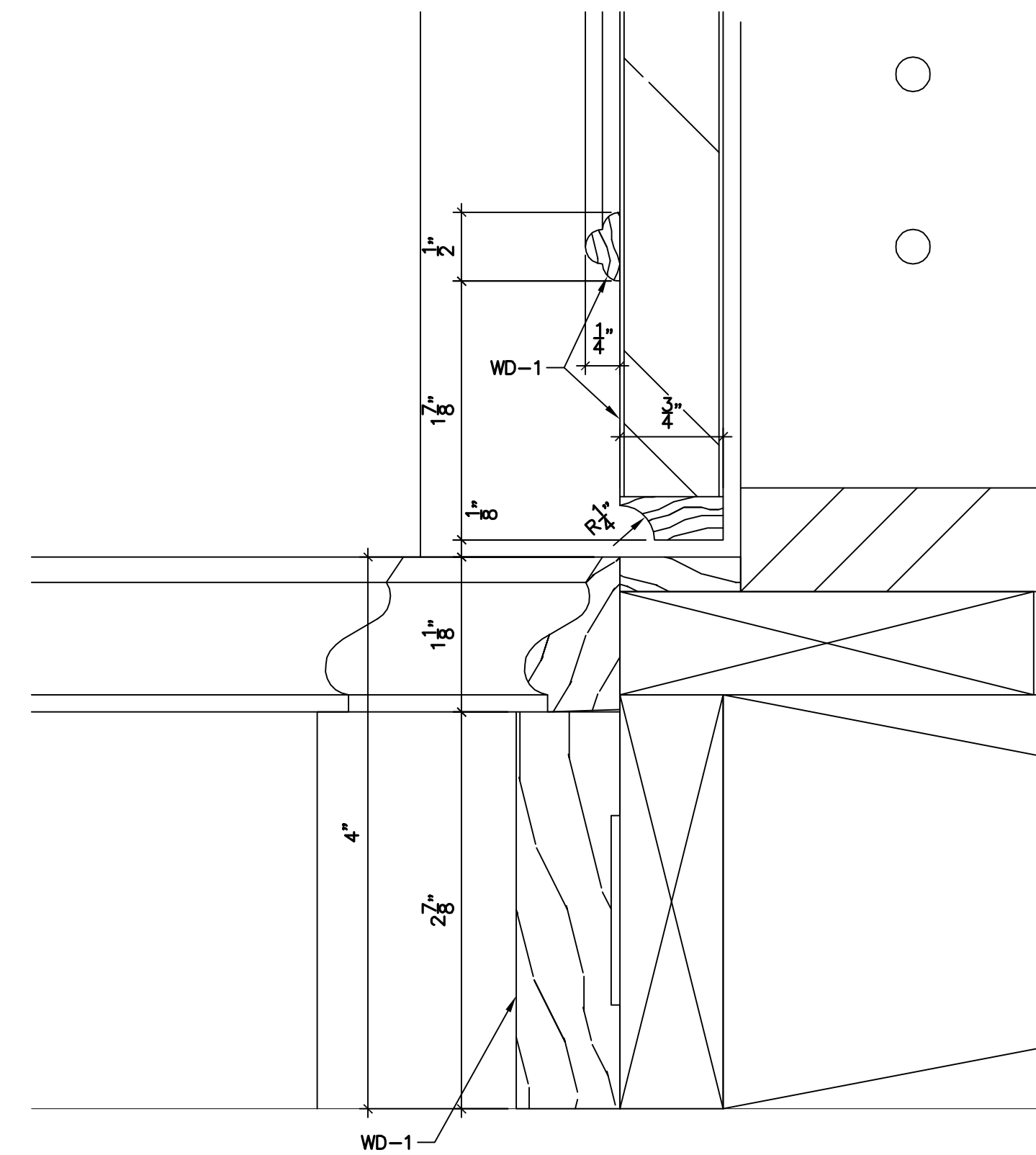
A VERTICAL SECTION
5-3 SCALE: 1-1/2" = 1'-0"
ARCH. REF: 4/A904



B VERTICAL SECTION
5-3 SCALE: 1-1/2" = 1'-0"
ARCH. REF: 4/A904



C VERTICAL SECTION
5-3 SCALE: 1-1/2" = 1'-0"
ARCH. REF: 4/A904

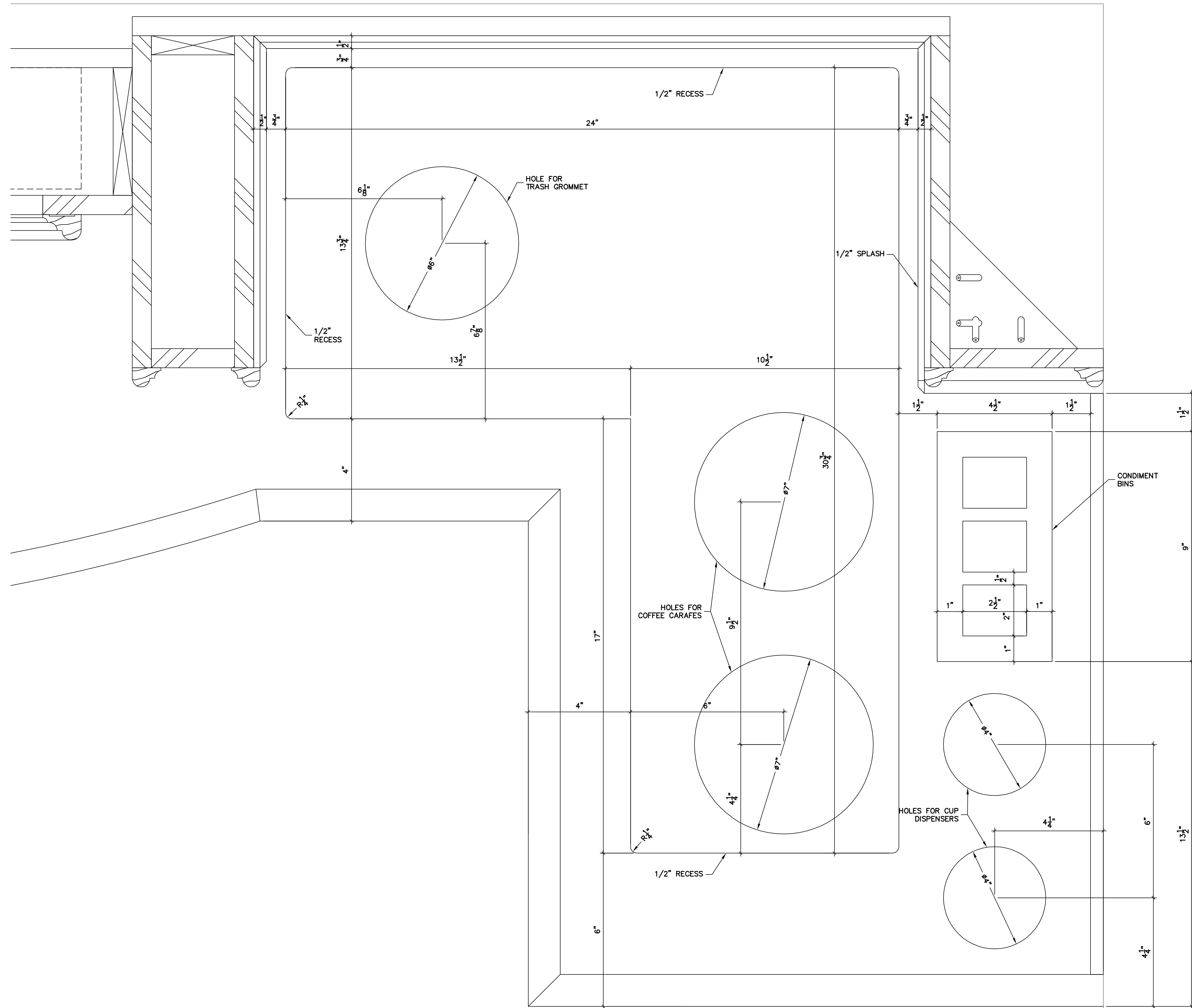


H DETAIL
5-3 SCALE: FULL
ARCH. REF: NONE

REVISIONS	BY
JOB#	
DRAWN BY:	DATE
TM	2/16/08

Job Name:

PAGE:
5-3



A
 5-4
 SCALE: 6" = 1'-0"
 ARCH. REF: 3/MEDIA
DETAIL OF CONDIMENT TRAY

REVISIONS	BY
JOB#	
DRAWN BY:	DATE
TM	2/16/08

Job Name: