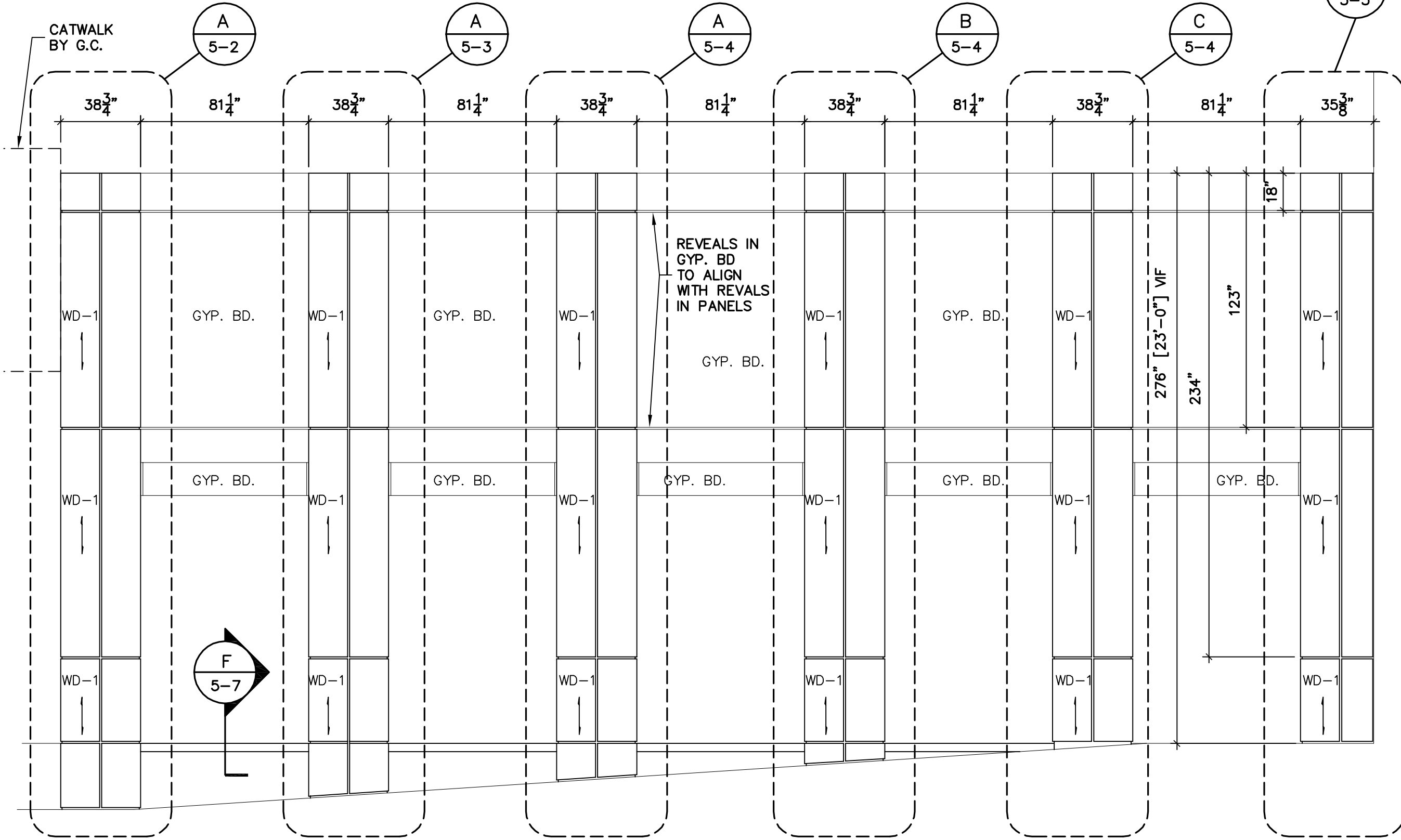


FINISHES:
WD-1: RED OAK VENEER FINISH TO MATCH APPROVED SAMPLE

REVISIONS	BY
JOB#	
DRAWN BY:	DATE
TM	11/17/06

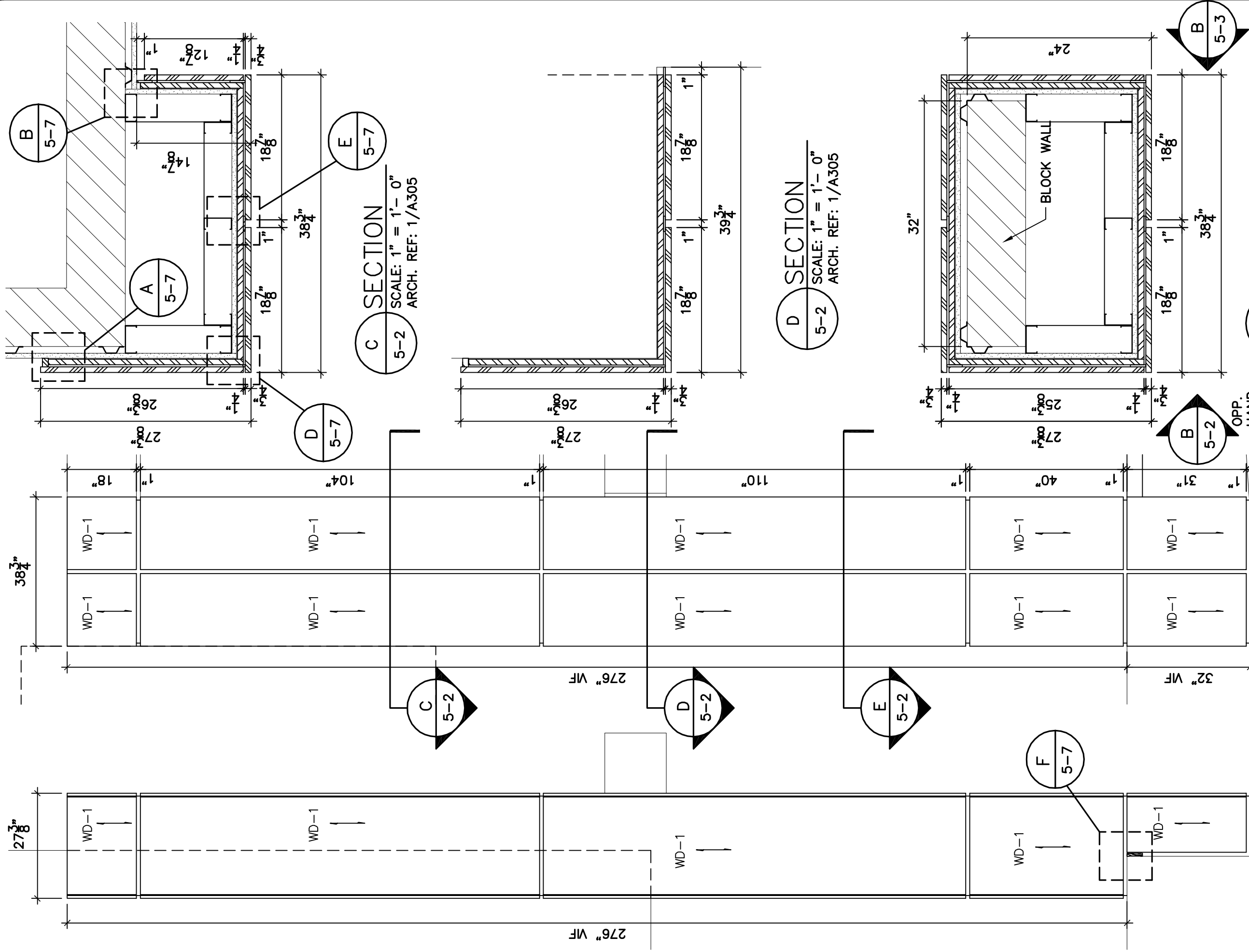


A ELEVATION AT WEST WALL OF AUDITORIUM U115
5-1 SCALE: 1/4" = 1'- 0"
 ARCH. REF: 1/A406-R (EAST WALL OPP. HAND)

Job Name:

PAGE:

5-1



B END ELEVATION
 5-2 SCALE: 1/2" = 1'-0"
 ARCH. REF:

A ELEVATION
 5-2 SCALE: 1/2" = 1'-0"
 ARCH. REF:

E SECTION
 5-2 SCALE: 1" = 1'-0"
 ARCH. REF: 1/A305

D SECTION
 5-2 SCALE: 1" = 1'-0"
 ARCH. REF: 1/A305

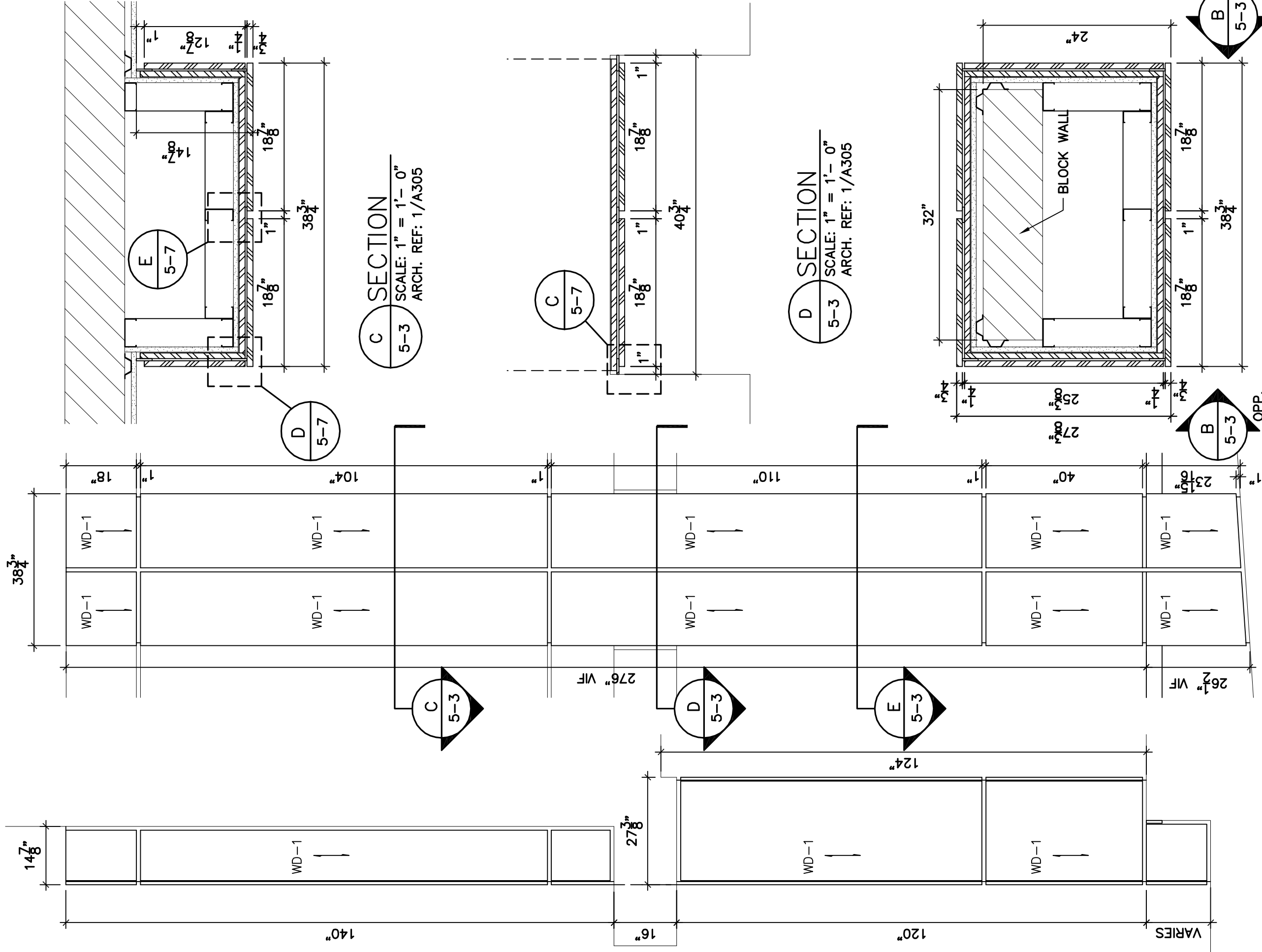
C SECTION
 5-2 SCALE: 1" = 1'-0"
 ARCH. REF: 1/A305

REVISIONS	BY

JOB#	
DRAWN BY:	DATE
TM	11/20/06

Job Name:

PAGE:
5-2



C SECTION
 5-3 SCALE: 1" = 1'-0"
 ARCH. REF: 1/A305

D SECTION
 5-3 SCALE: 1" = 1'-0"
 ARCH. REF: 1/A305

E SECTION
 5-3 SCALE: 1" = 1'-0"
 ARCH. REF: 1/A305

A ELEVATION
 5-3 SCALE: 1/2" = 1'-0"
 ARCH. REF:

B END ELEVATION
 5-3 SCALE: 1/2" = 1'-0"
 ARCH. REF:

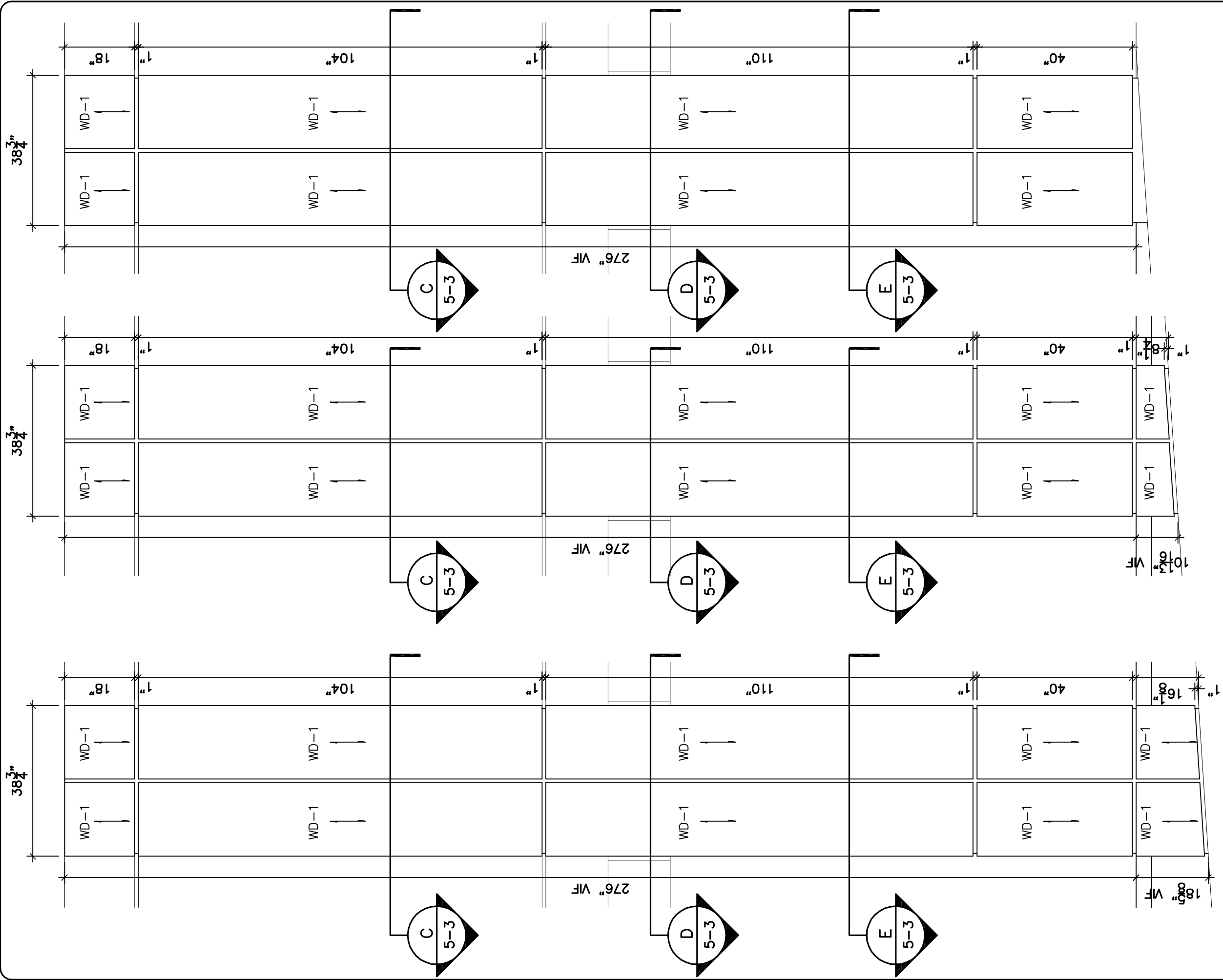
REVISIONS	BY

JOB#

DRAWN BY: TM	DATE 11/20/06
------------------------	------------------

Job Name:

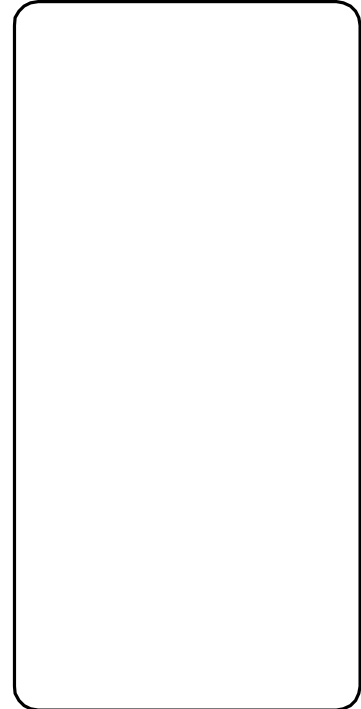
PAGE:
5-3



A ELEVATION
 5-4 SCALE: 1/2" = 1'-0"
 ARCH. REF:

B ELEVATION
 5-4 SCALE: 1/2" = 1'-0"
 ARCH. REF:

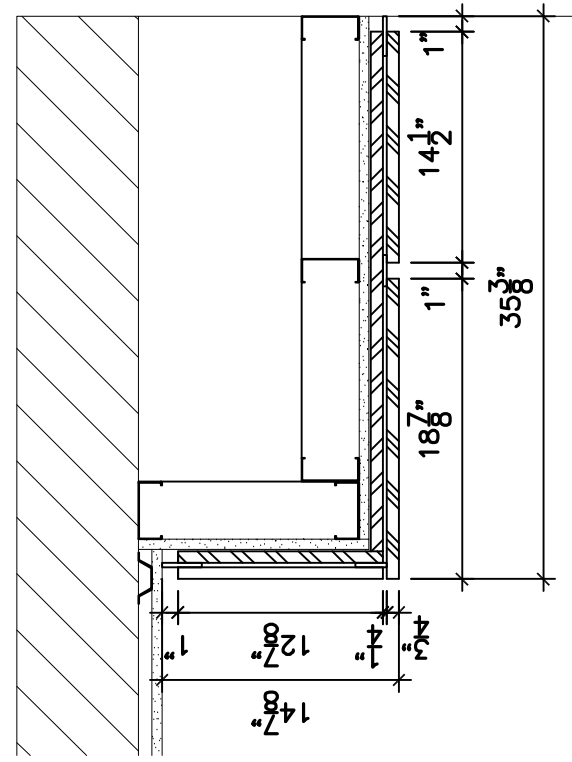
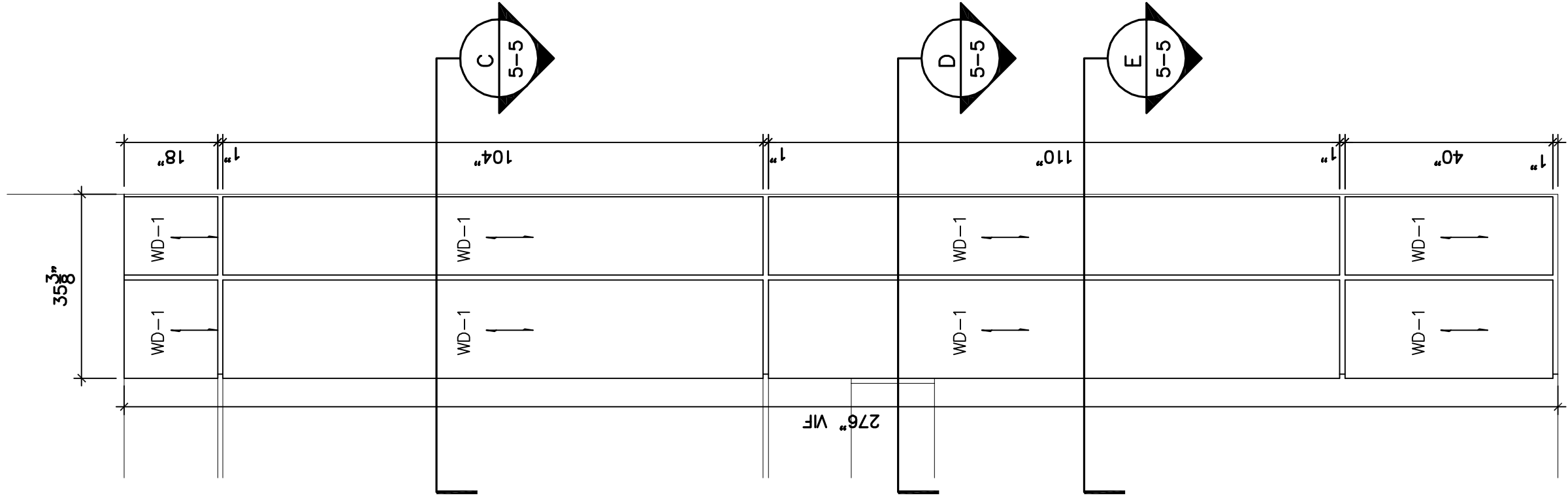
C ELEVATION
 5-4 SCALE: 1/2" = 1'-0"
 ARCH. REF:



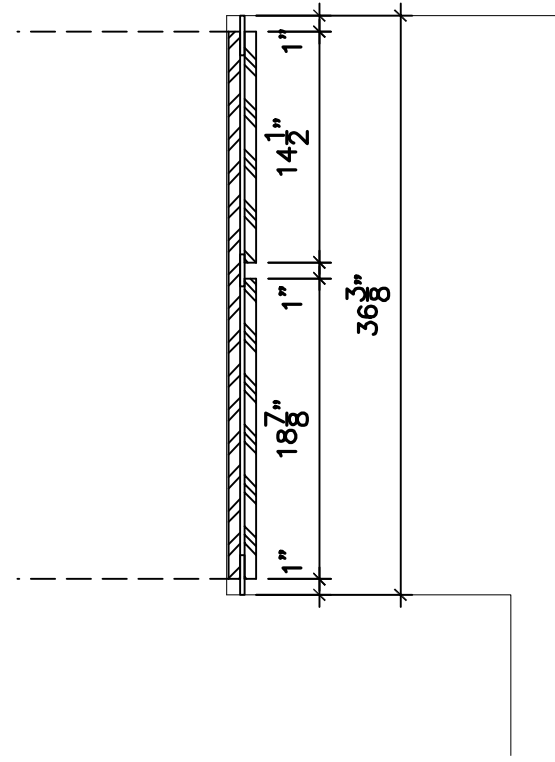
DRAWN BY: TM	DATE 11/20/06
------------------------	------------------

REVISIONS	BY

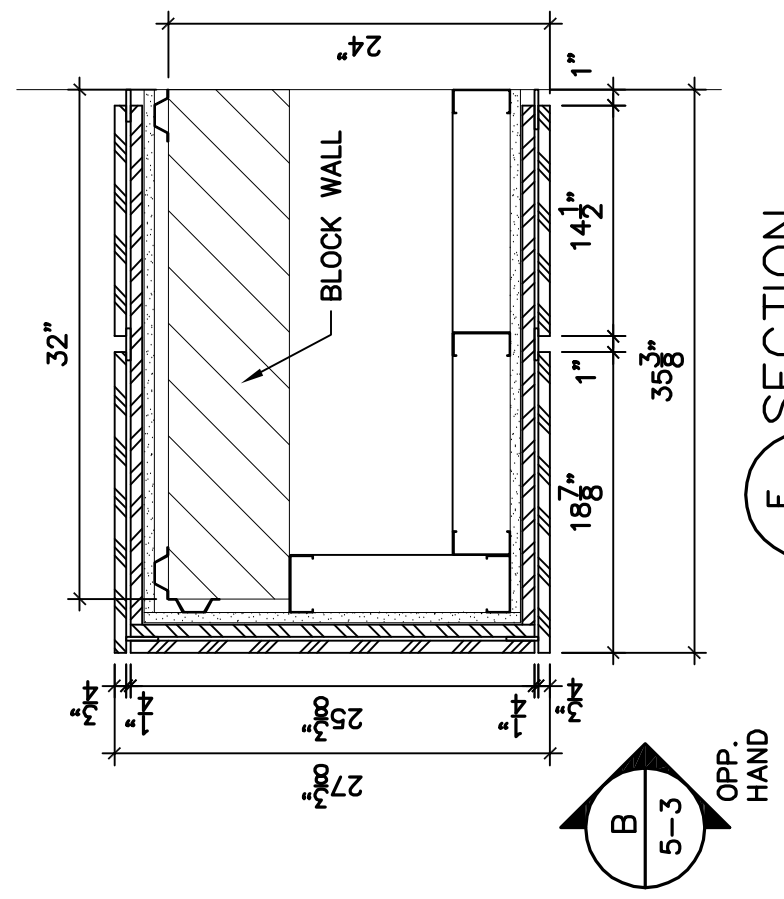
JOB#



C SECTION
 5-5 SCALE: 1" = 1'-0"
 ARCH. REF: 1/A305



D SECTION
 5-5 SCALE: 1" = 1'-0"
 ARCH. REF: 1/A305



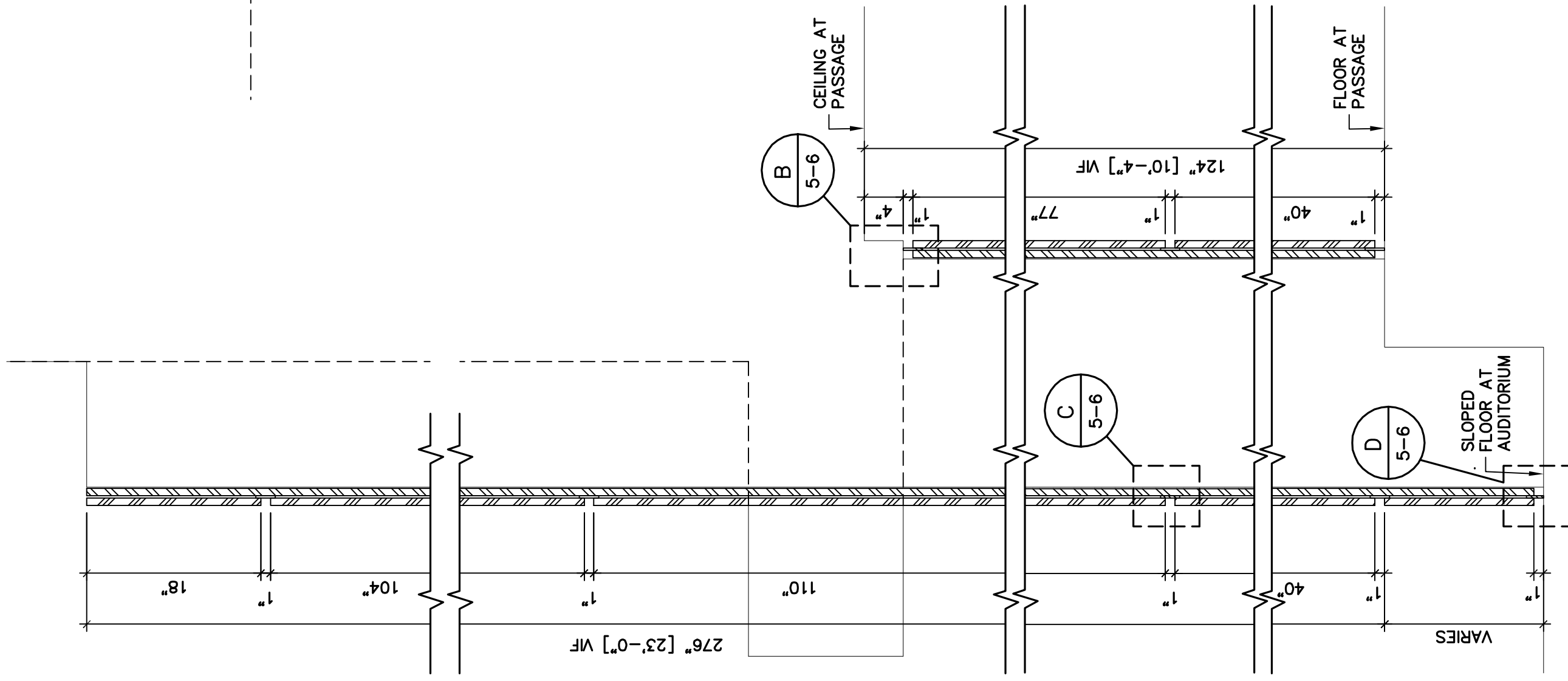
E SECTION
 5-5 SCALE: 1" = 1'-0"
 ARCH. REF: 1/A305

A ELEVATION
 5-5 SCALE: 1/2" = 1'-0"
 ARCH. REF:

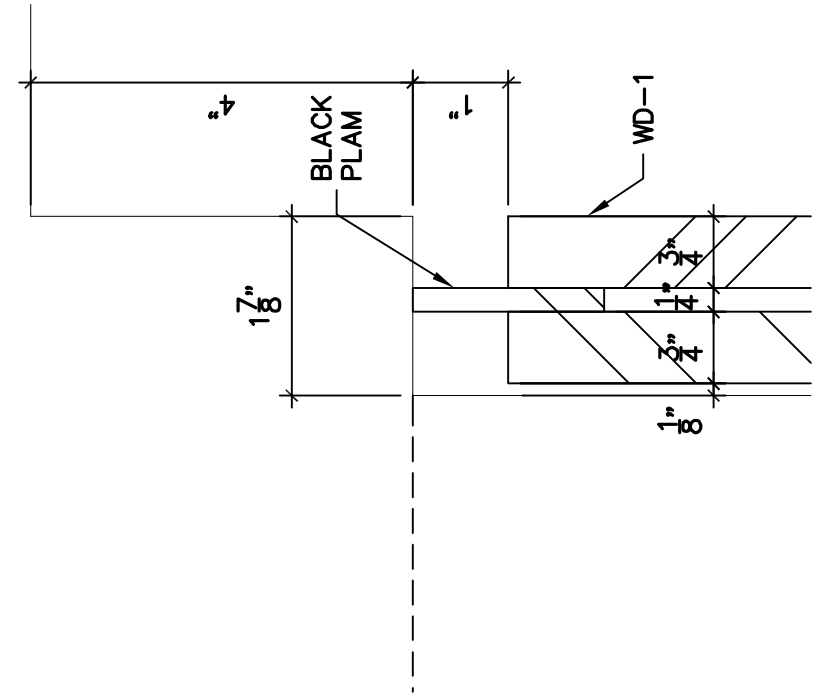
REVISIONS	BY
JOB#	
DRAWN BY:	DATE
TM	11/20/06

Job Name:

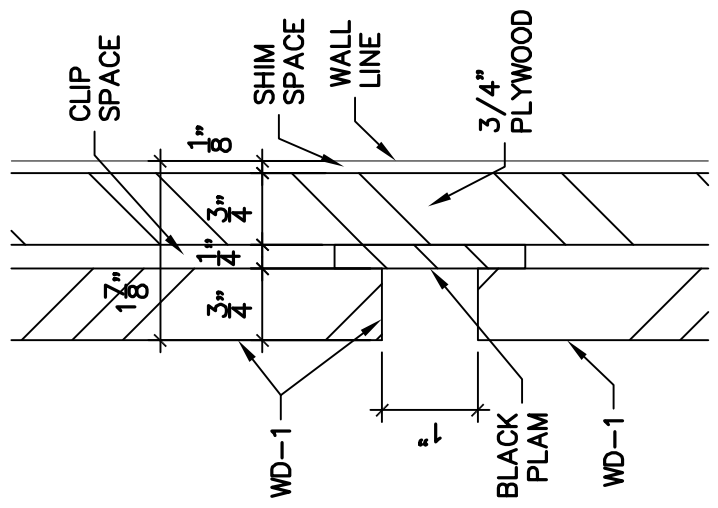
PAGE:
5-5



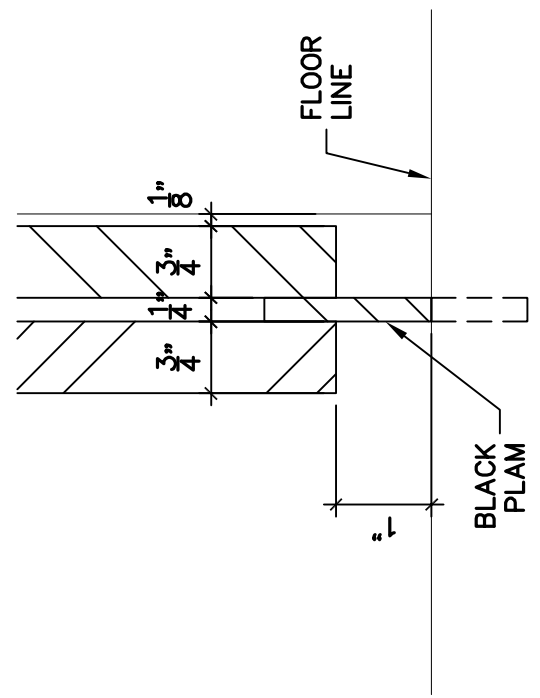
A ELEVATION
 5-6 SCALE: 1/2" = 1'-0"
 ARCH. REF:



B DETAIL
 5-6 SCALE: HALF FULL
 ARCH. REF:



C DETAIL
 5-6 SCALE: HALF FULL
 ARCH. REF:



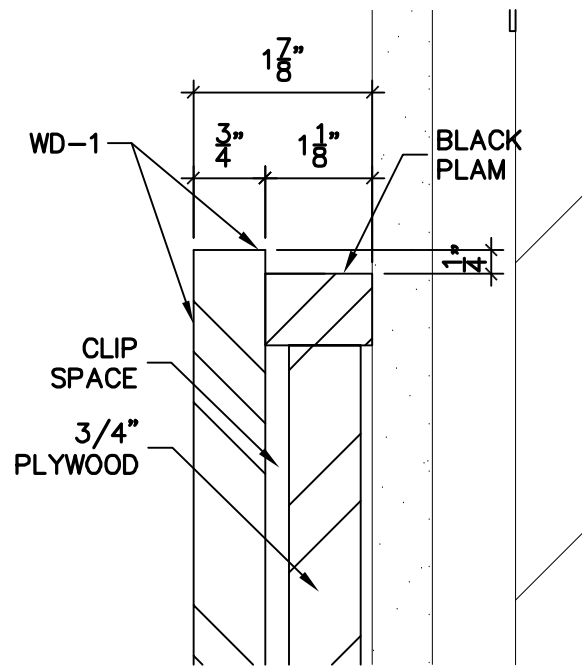
D DETAIL
 5-6 SCALE: HALF FULL
 ARCH. REF:

REVISIONS	BY

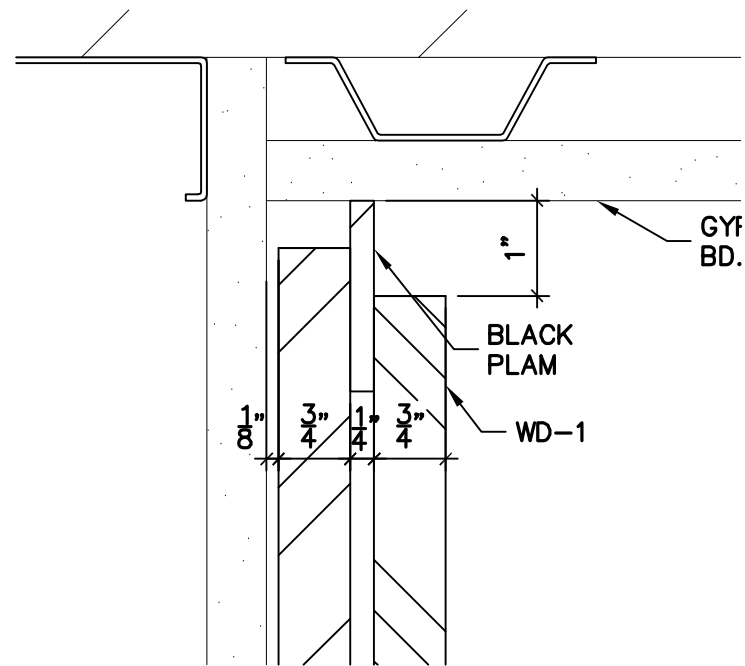
JOB#	
DRAWN BY:	DATE
TM	11/20/06

Job Name:

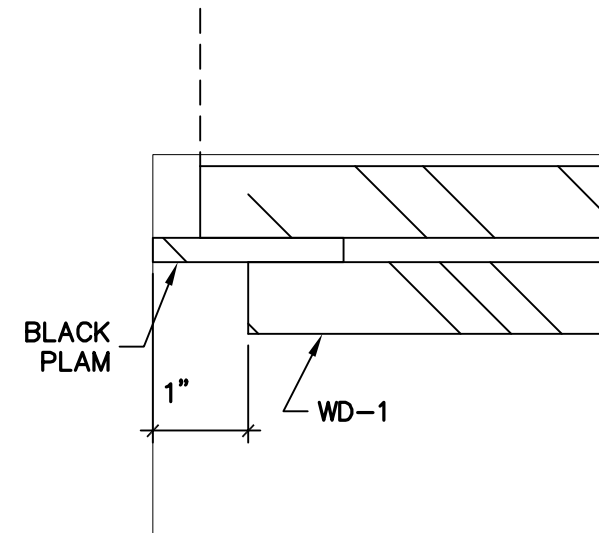
PAGE:
5-5



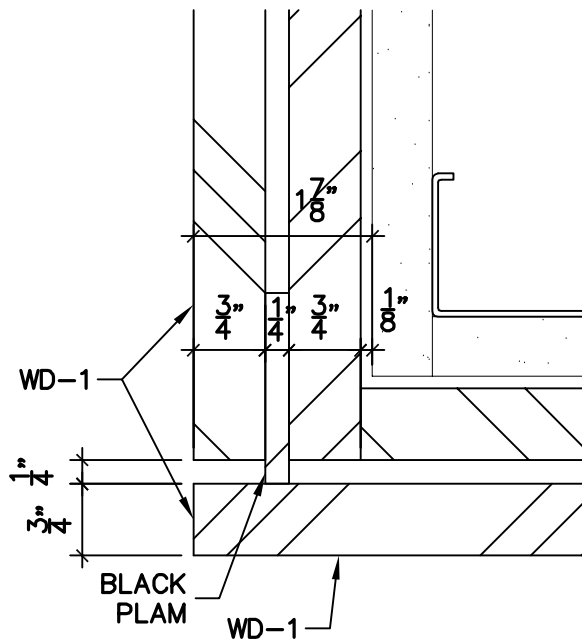
A DETAIL
5-7 SCALE: HALF FULL
ARCH. REF:



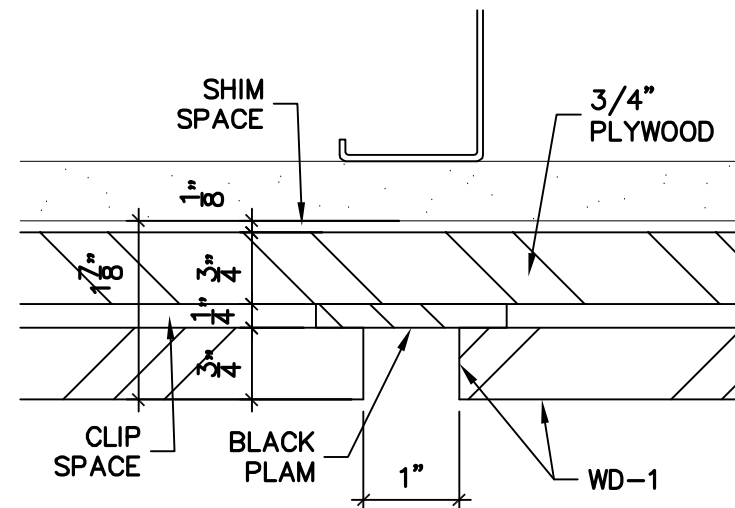
B DETAIL
5-7 SCALE: HALF FULL
ARCH. REF:



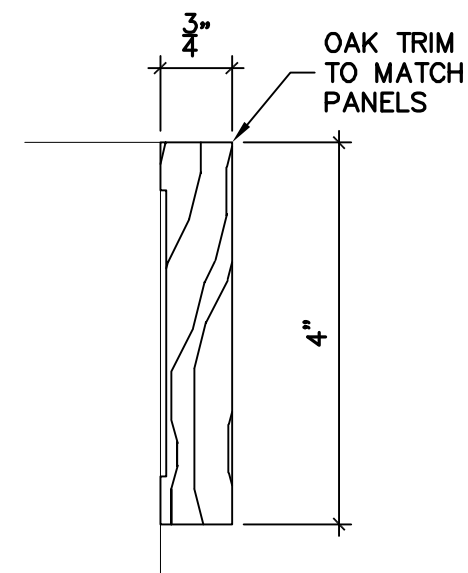
C DETAIL
5-7 SCALE: HALF FULL
ARCH. REF:



D DETAIL
5-7 SCALE: HALF FULL
ARCH. REF:



E DETAIL
5-7 SCALE: HALF FULL
ARCH. REF:



F DETAIL
5-7 SCALE: HALF FULL
ARCH. REF:

REVISIONS	BY
JOB#	
DRAWN BY:	DATE
TM	11/20/06

Job Name:

PAGE:
5-7