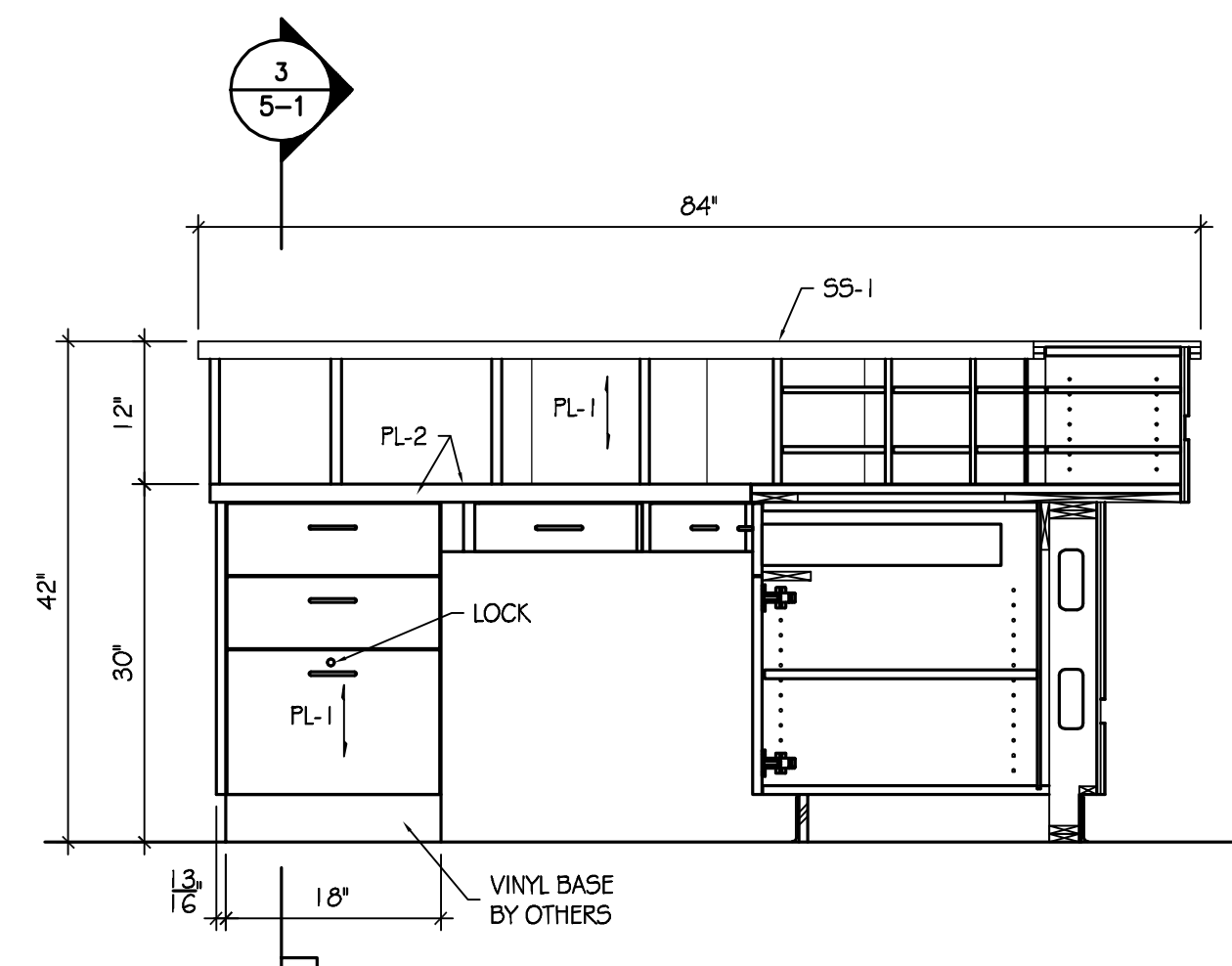
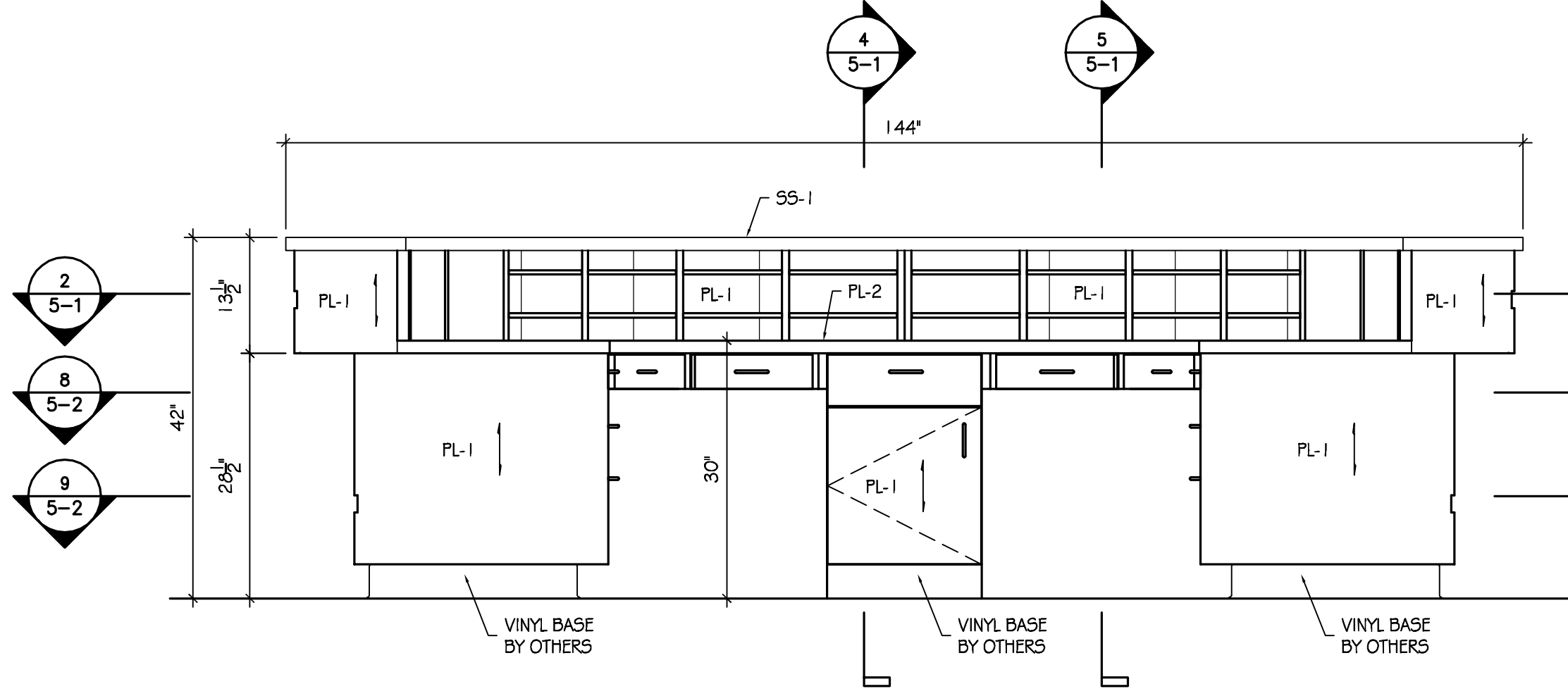


FOUR (4) UNITS REQUIRED AS SHOWN.
 ONE (1) EACH AT ROOMS A215, A218,
 A228, A231

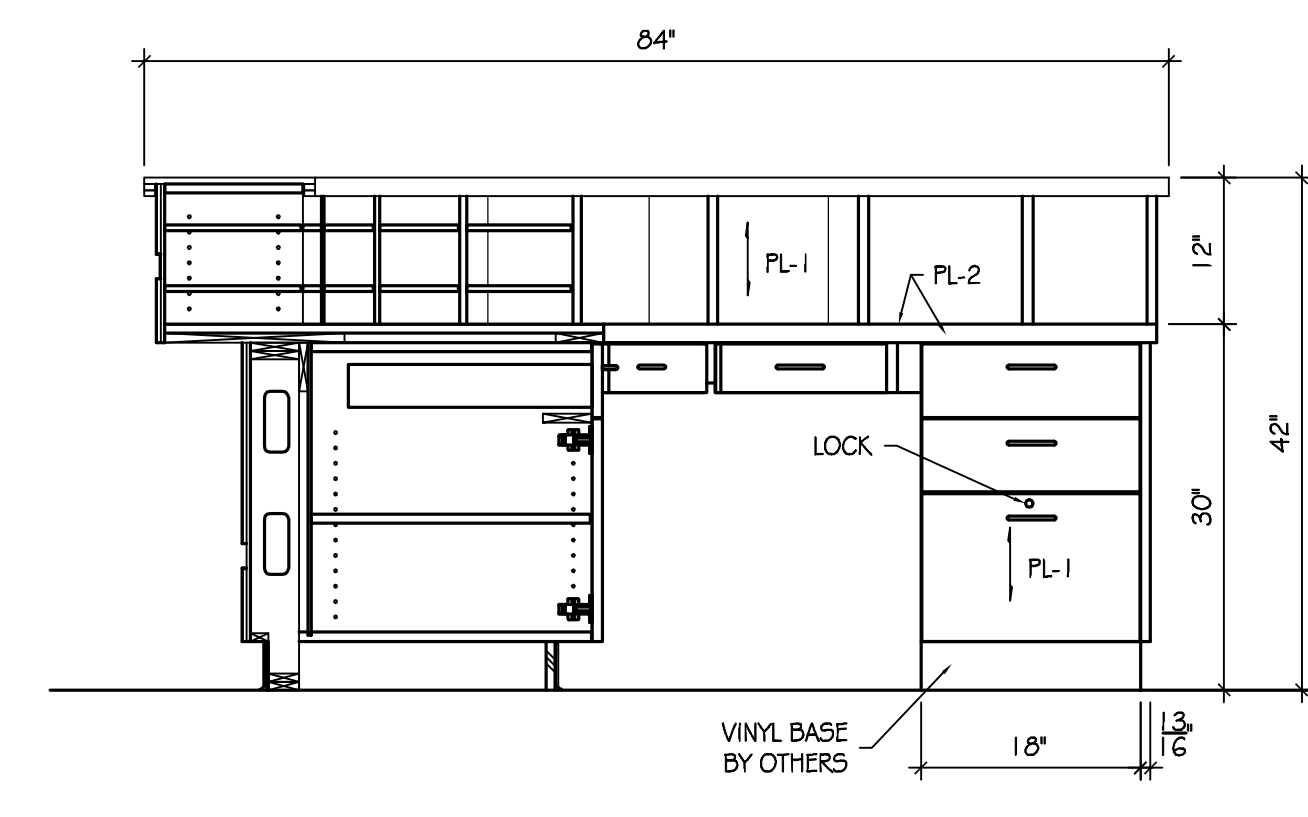
1 PLAN VIEW
 SCALE: 3/4" = 1'-0"
 ARCH. REF: A601



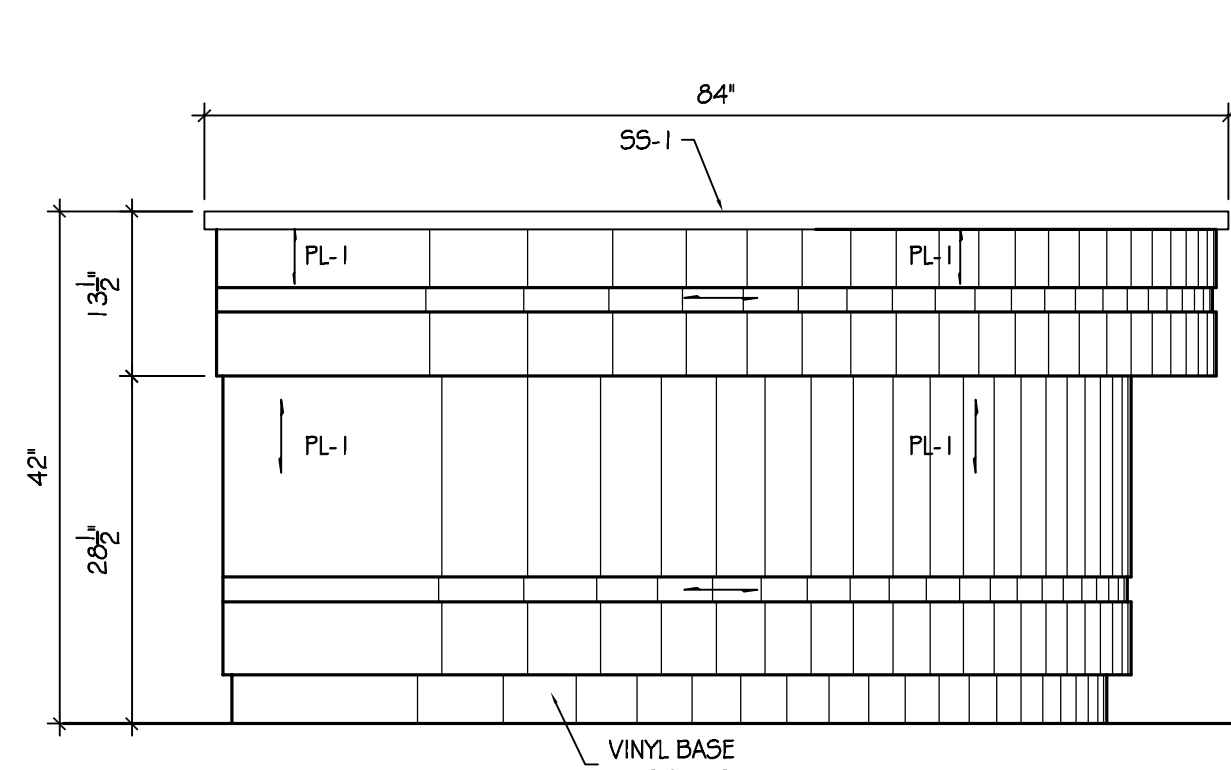
A ELEVATION
 SCALE: 3/4" = 1'-0"
 ARCH. REF: W/A602



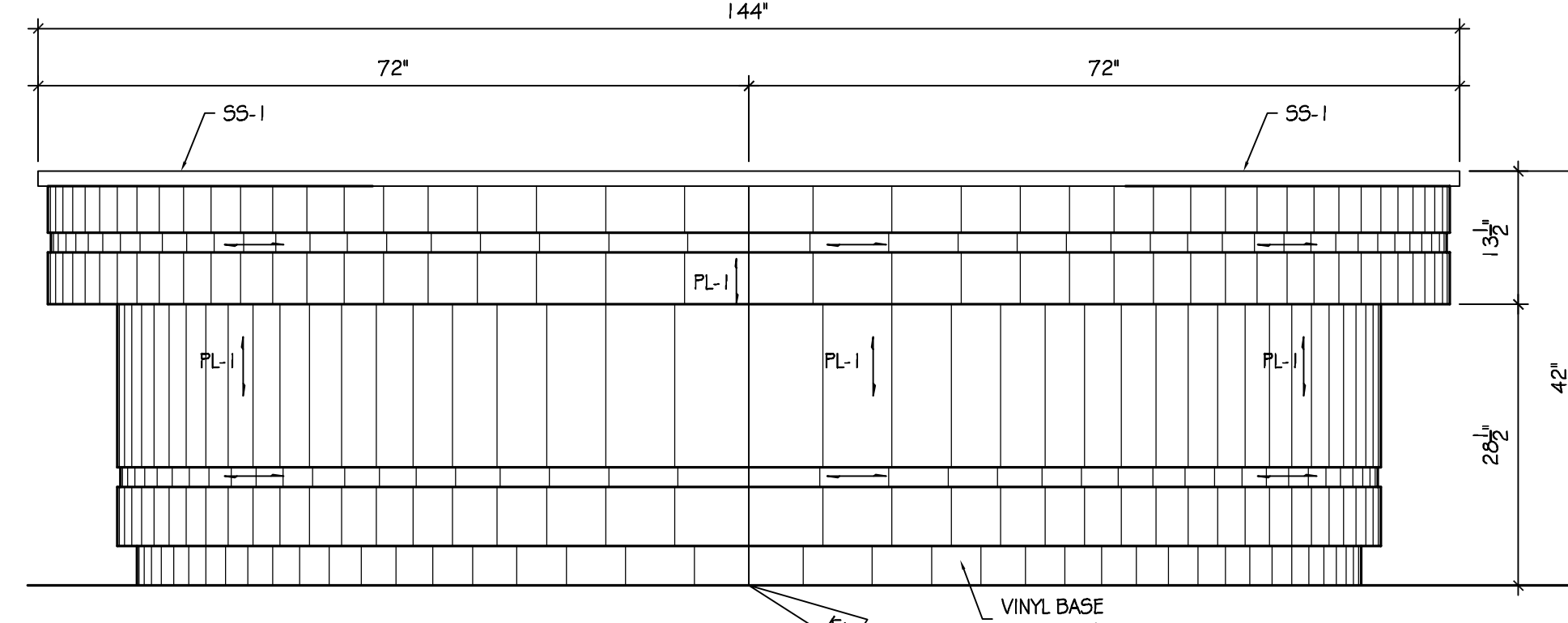
B ELEVATION
 SCALE: 3/4" = 1'-0"
 ARCH. REF: V/A602



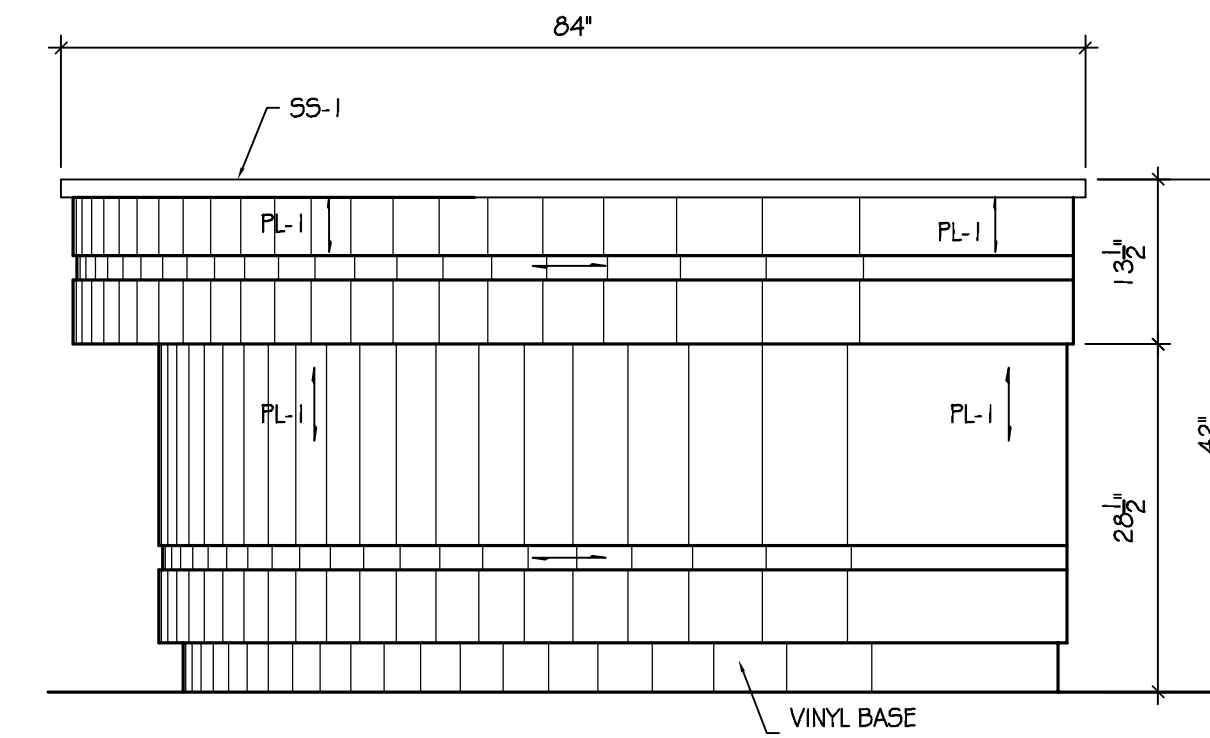
C ELEVATION
 SCALE: 3/4" = 1'-0"
 ARCH. REF: W/A602



D ELEVATION
 SCALE: 3/4" = 1'-0"
 ARCH. REF: U/A602



E ELEVATION
 SCALE: 3/4" = 1'-0"
 ARCH. REF: T/A602



F ELEVATION
 SCALE: 3/4" = 1'-0"
 ARCH. REF: U/A602

ARCHITECT:
 GENERAL CONTRACTOR:
 DESIGNER:

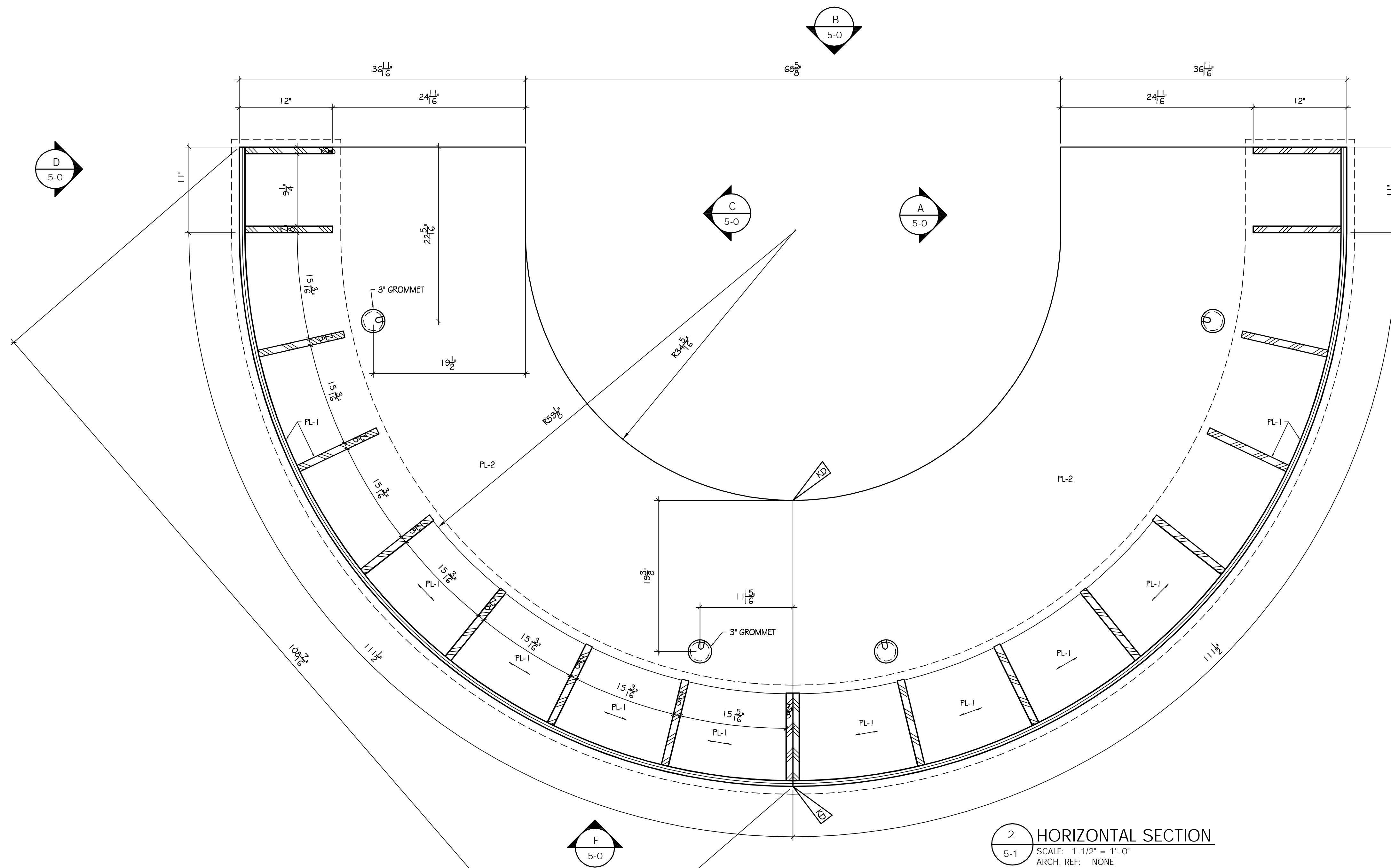
NOTES:

- FINISHES:
- PL-1: WILSONART #7054 "WILD CHERRY"
 - PL-2: WILSONART #4814-60 "TUNGSTEN EV"
 - SS-1: SOLID SURFACE, LG HI-MACS, VOLCANICS VE24 "CASERA"

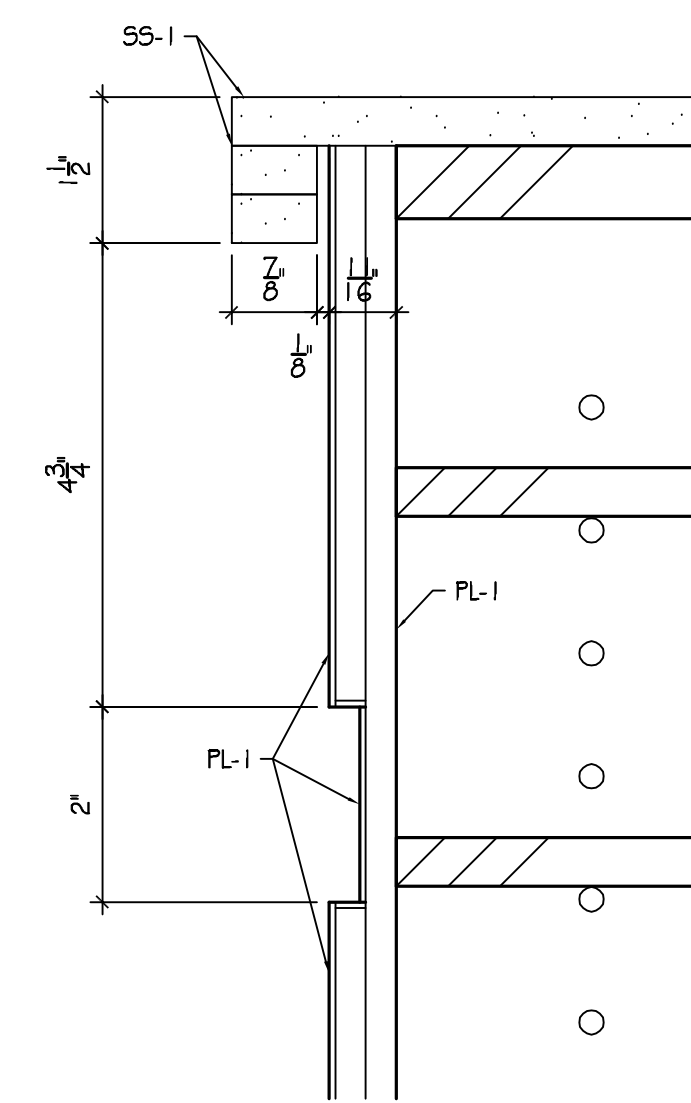
REVISIONS:

SHEET TITLE:
**NURSE STATION
 PLAN & ELEVATIONS**

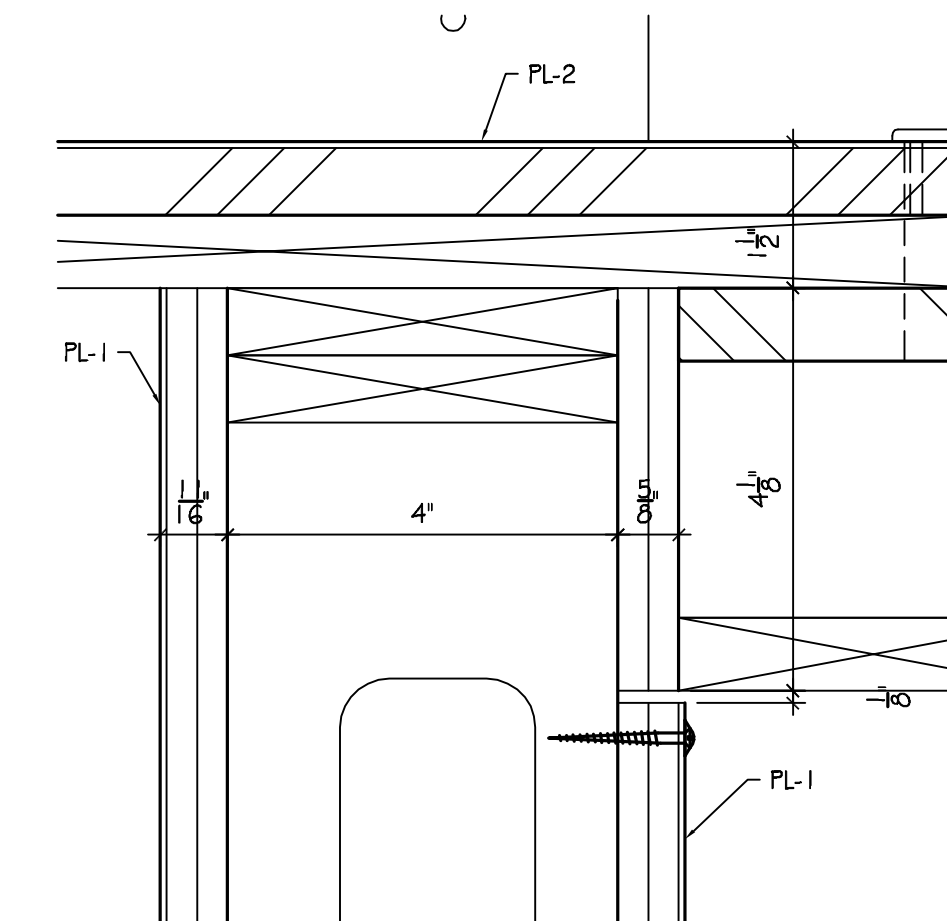
DRAWN BY: TM | DATE: 03/19/08
 JOB: | SHEET NO.



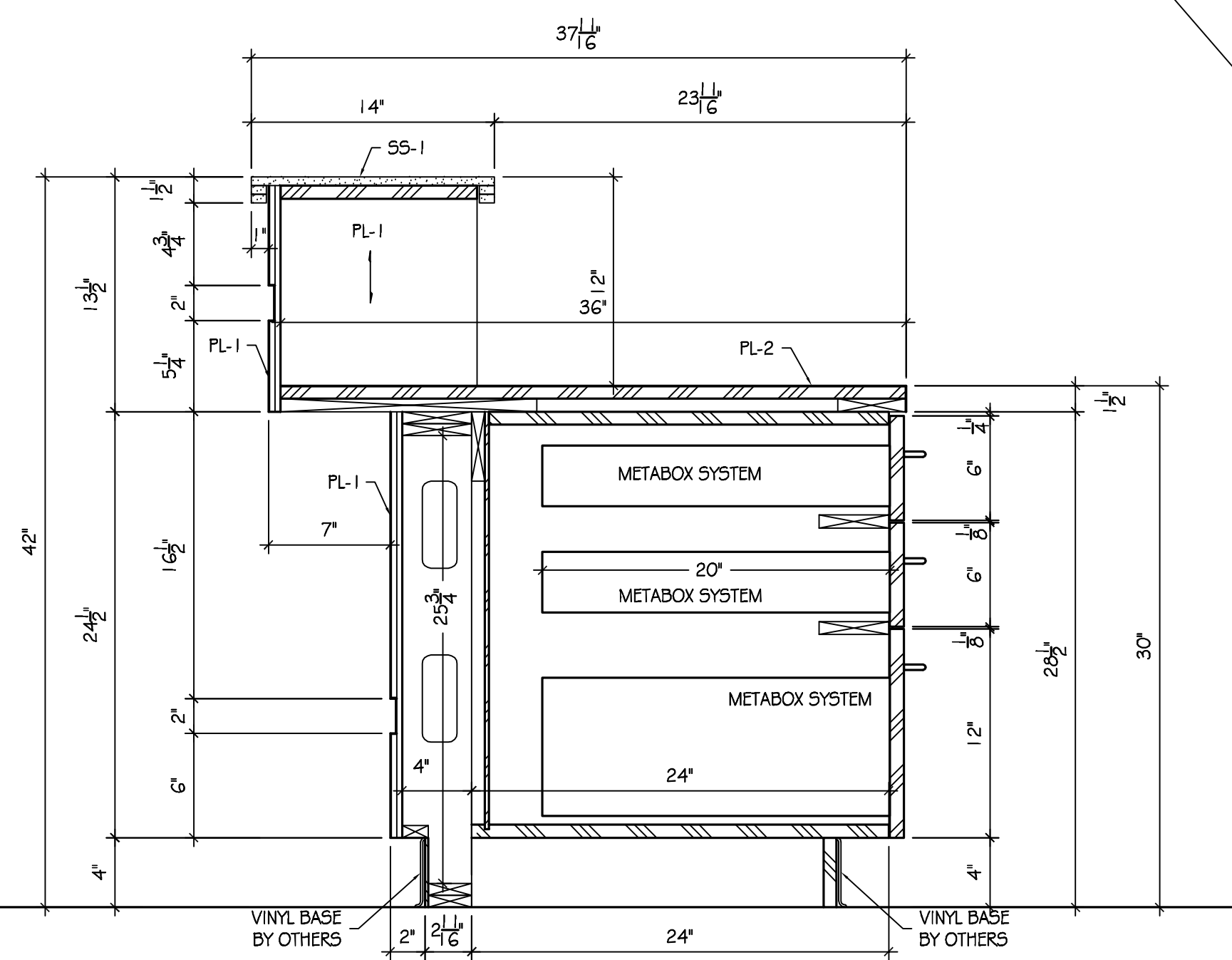
2 HORIZONTAL SECTION
 5-1 SCALE: 1-1/2" = 1'-0"
 ARCH. REF: NONE



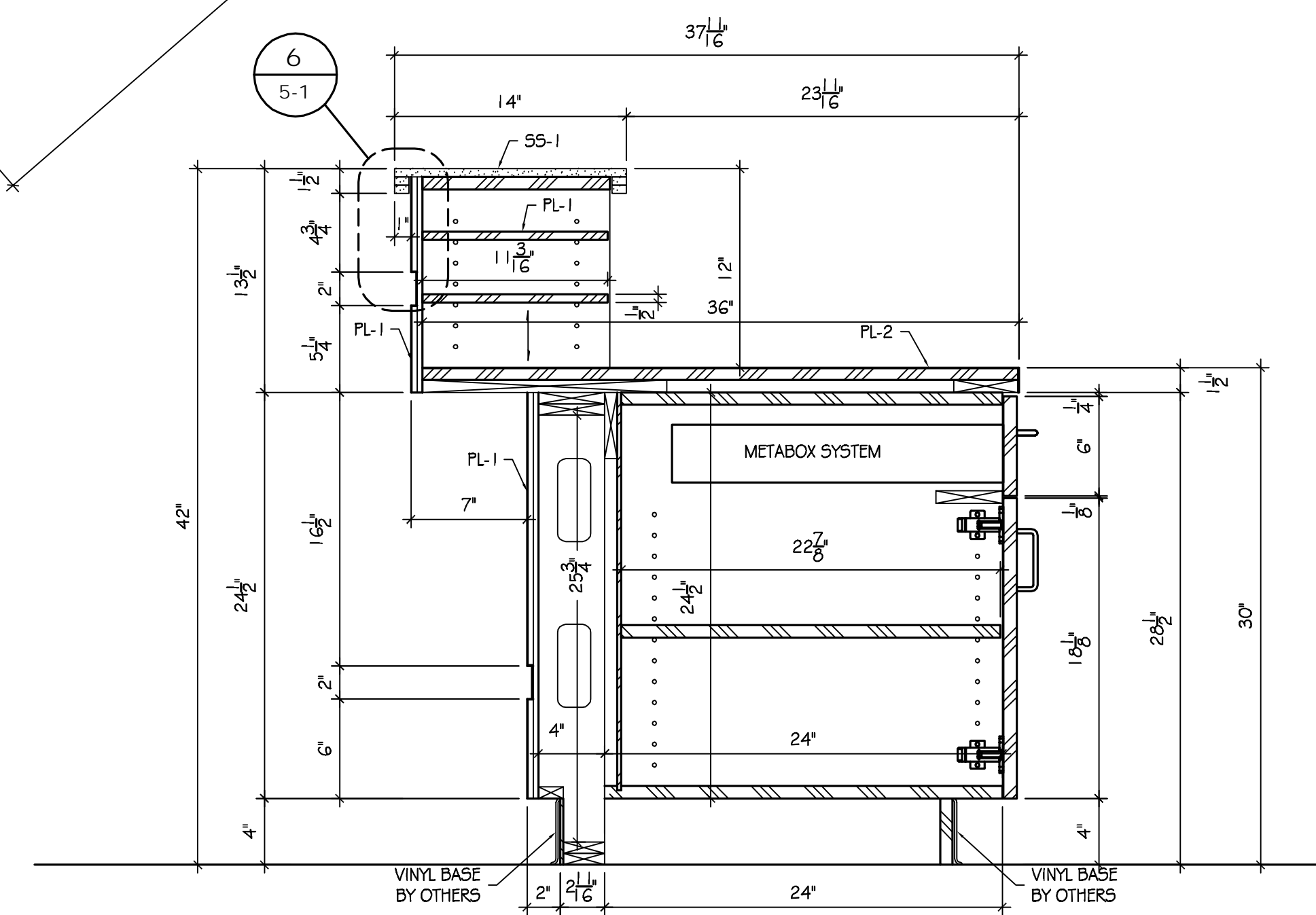
6 DETAIL
 5-1 SCALE: 6" = 1'-0"
 ARCH. REF: NONE



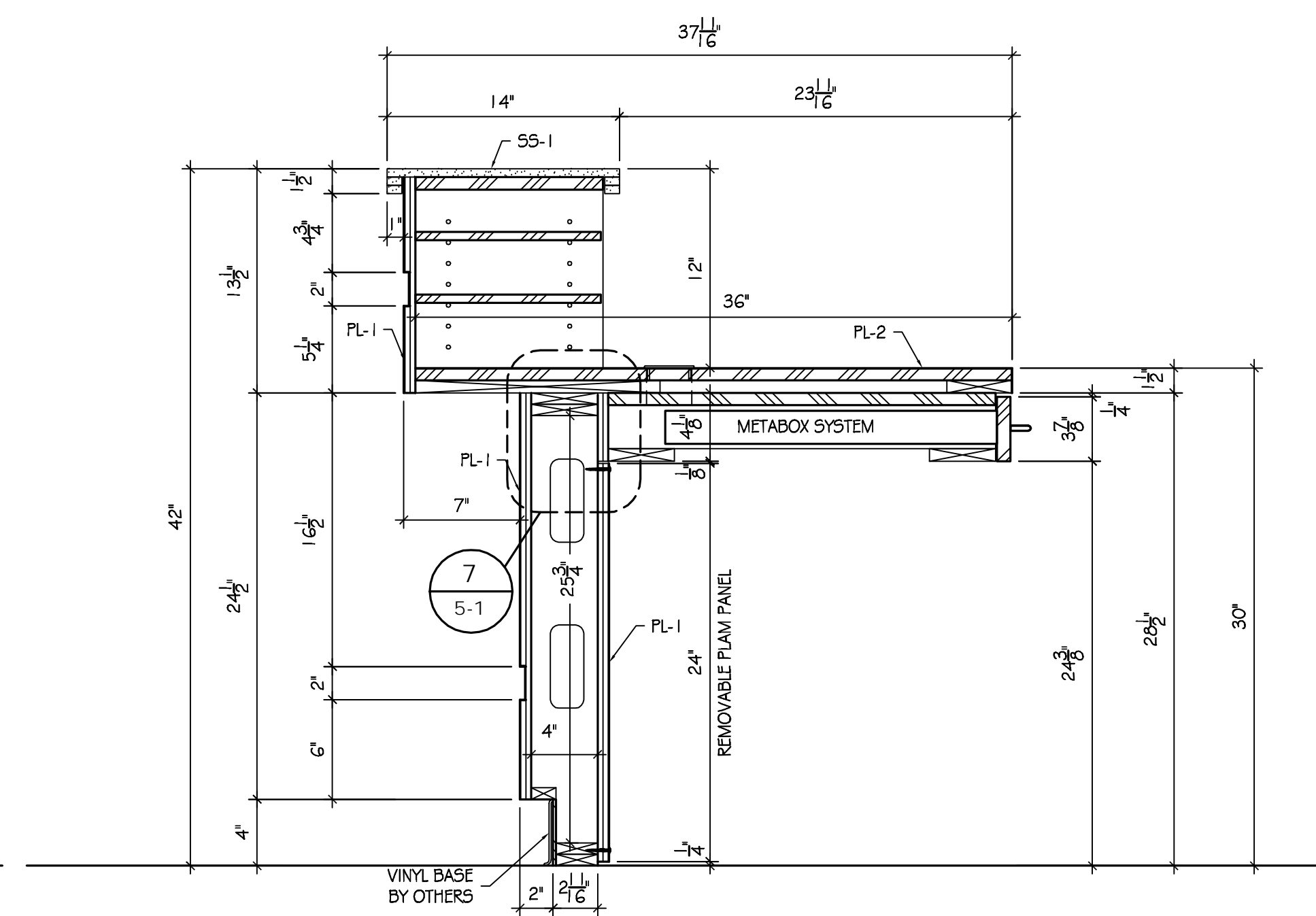
7 DETAIL
 5-1 SCALE: 6" = 1'-0"
 ARCH. REF: NONE



3 VERTICAL SECTION
 5-1 SCALE: 1-1/2" = 1'-0"
 ARCH. REF: 3/A604



4 VERTICAL SECTION
 5-1 SCALE: 1-1/2" = 1'-0"
 ARCH. REF: 2/A604



5 VERTICAL SECTION
 5-1 SCALE: 1-1/2" = 1'-0"
 ARCH. REF: 1/A604



ARCHITECT:
 GENERAL CONTRACTOR:
 DESIGNER:
 NOTES:

REVISIONS:

SHEET TITLE:
**NURSE STATION
 SECTIONS & DETAILS**

DRAWN BY: TM DATE: 03/19/08
 JOB: SHEET NO.

5-1

