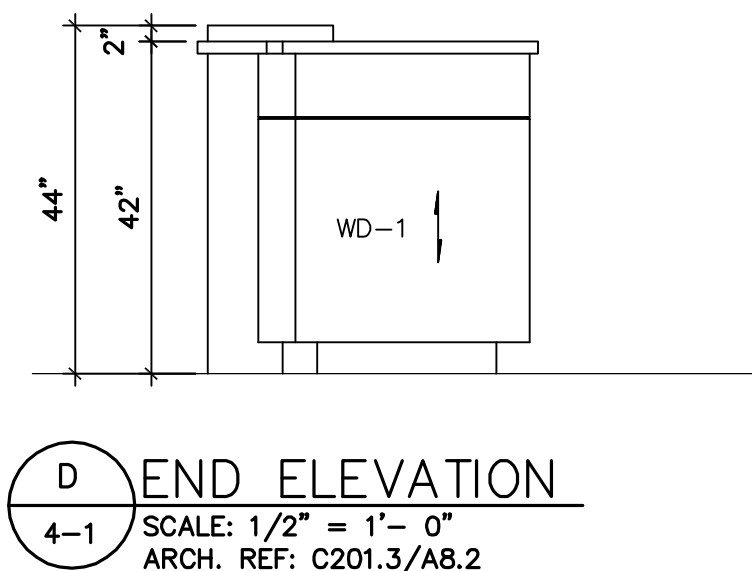
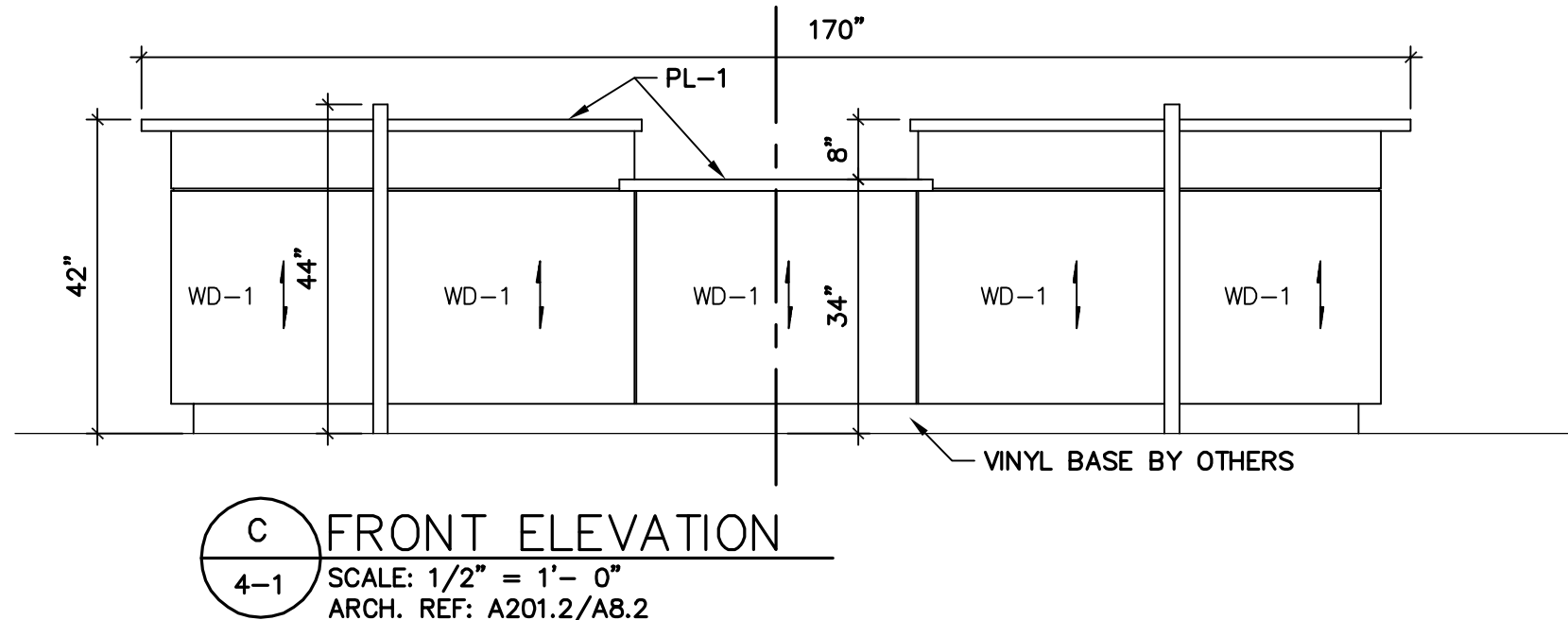
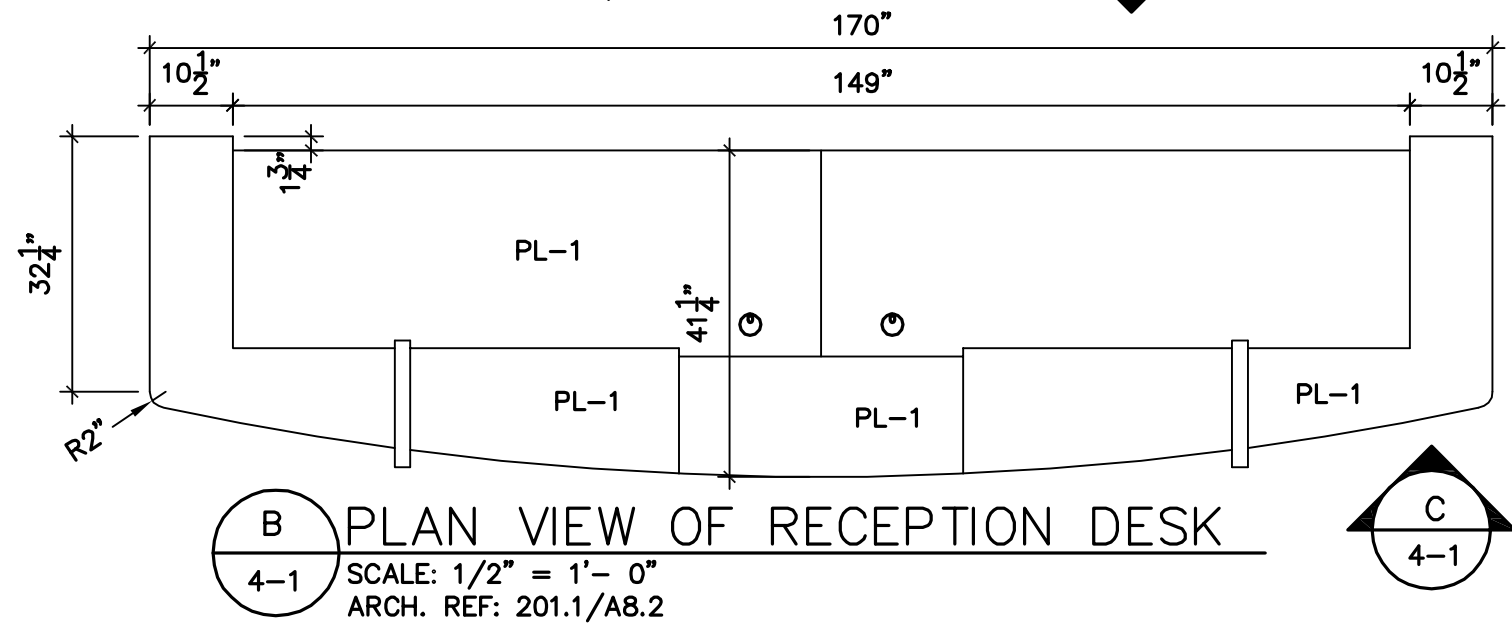


FINISHES:	
PL-1: PLEASE SPECIFY	
WD-1: MAPLE VENEER FINISHED TO MATCH APPROVED SAMPLE	
NOTE: ALL CABINET INTERIORS TO BE WHITE MELAMINE UNLESS OTHERWISE NOTED.	
CABINET HARDWARE:	
GROMMETS: DOUG MOCKETT #EDP - BLACK	
PULLS : HAFELE #116.05.922	
DRAWER SLIDES: 22" FULL EXTENSION	

REVISIONS	BY
JOB#	
DRAWN BY:	DATE
TM	02/10/06



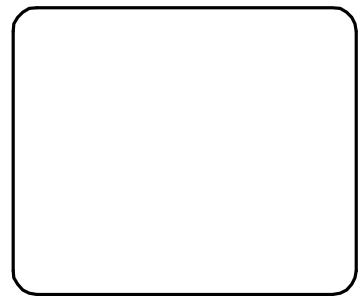
Job Name:

Contractor:

Architect:

Location:

REVISIONS	BY
JOB#	
DRAWN BY:	DATE
TM	02/10/06

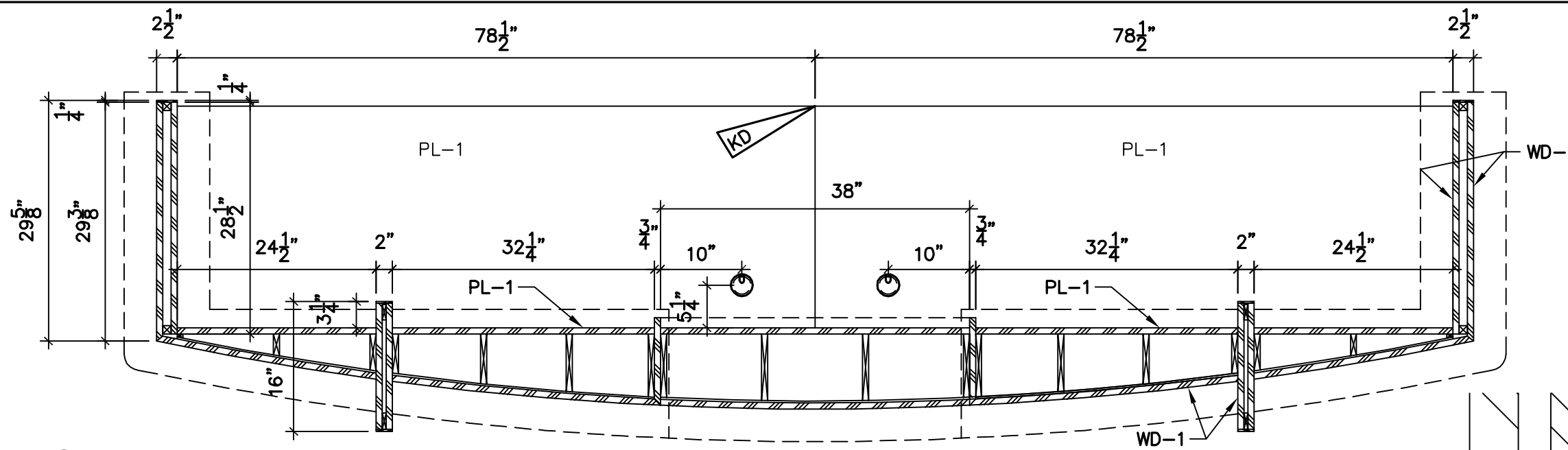


Job Name:

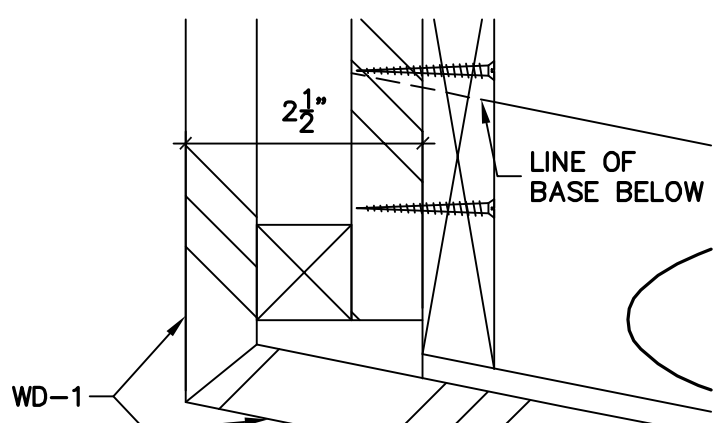
Contractor:

Architect:

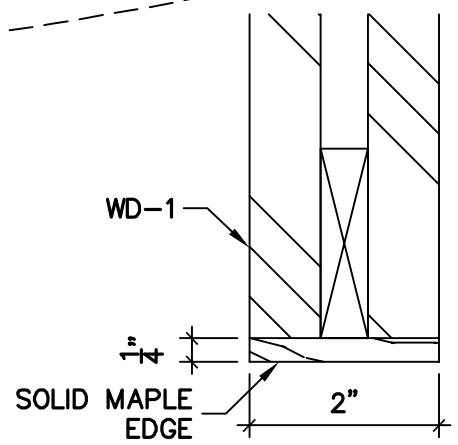
Location:



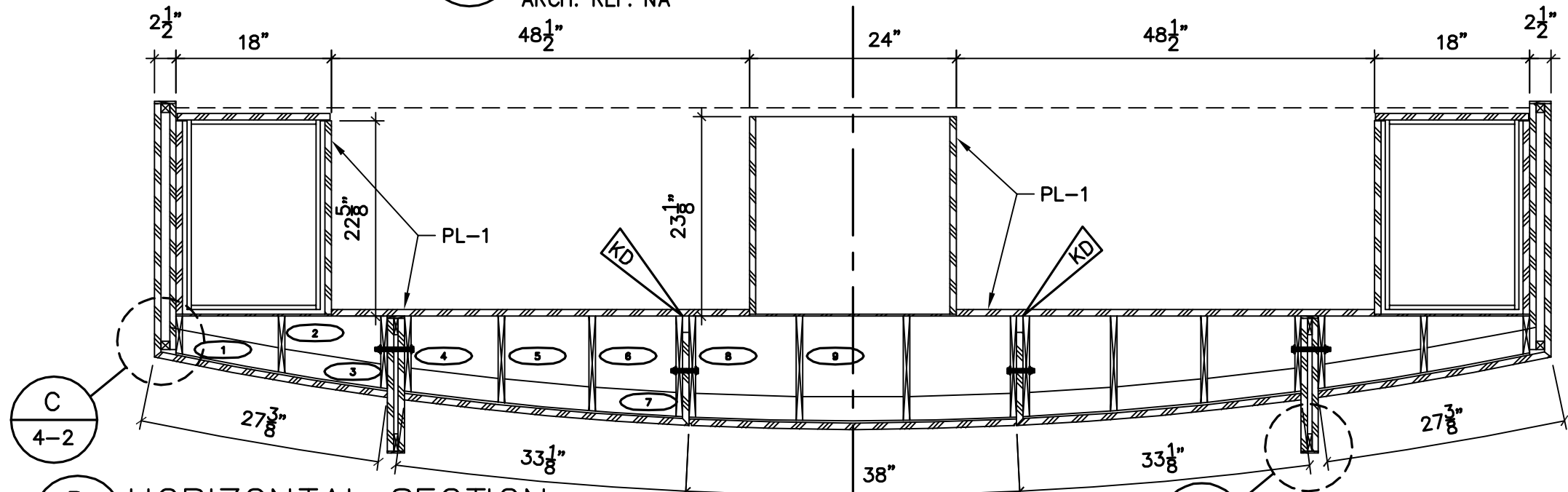
A HORIZONTAL SECTION
 4-2 SCALE: 3/4" = 1'- 0"
 ARCH. REF: NA



C CORNER DETAIL
 4-2 SCALE: 6" = 1'- 0"
 ARCH. REF: NA

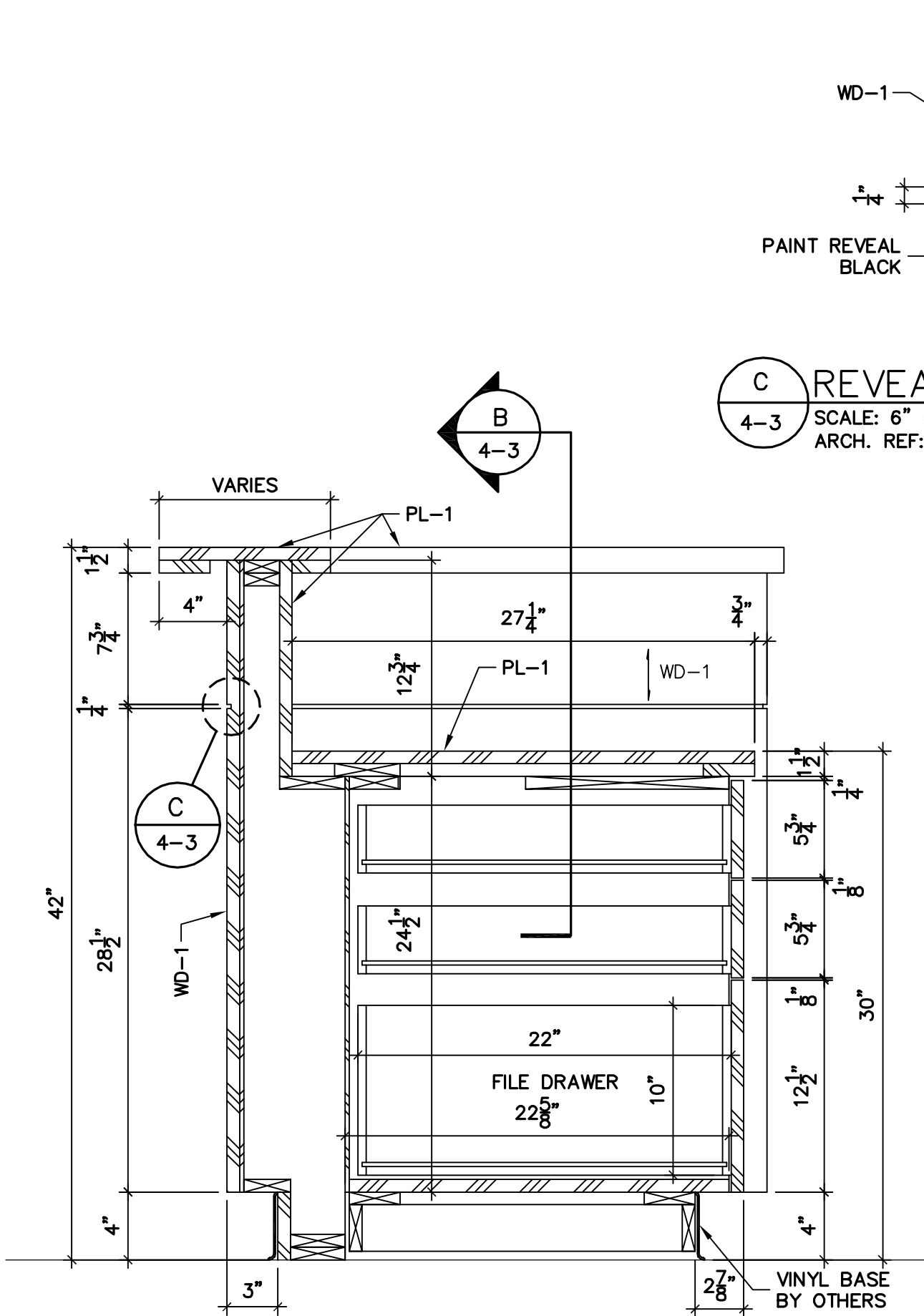


D DIVIDER EDGE DETAIL
 4-2 SCALE: 6" = 1'- 0"
 ARCH. REF: NA

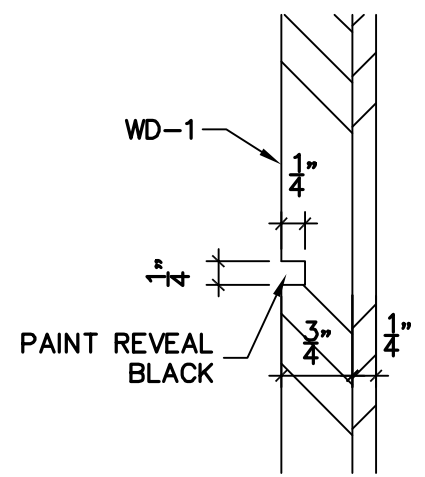


B HORIZONTAL SECTION
 4-2 SCALE: 3/4" = 1'- 0"
 ARCH. REF: NA

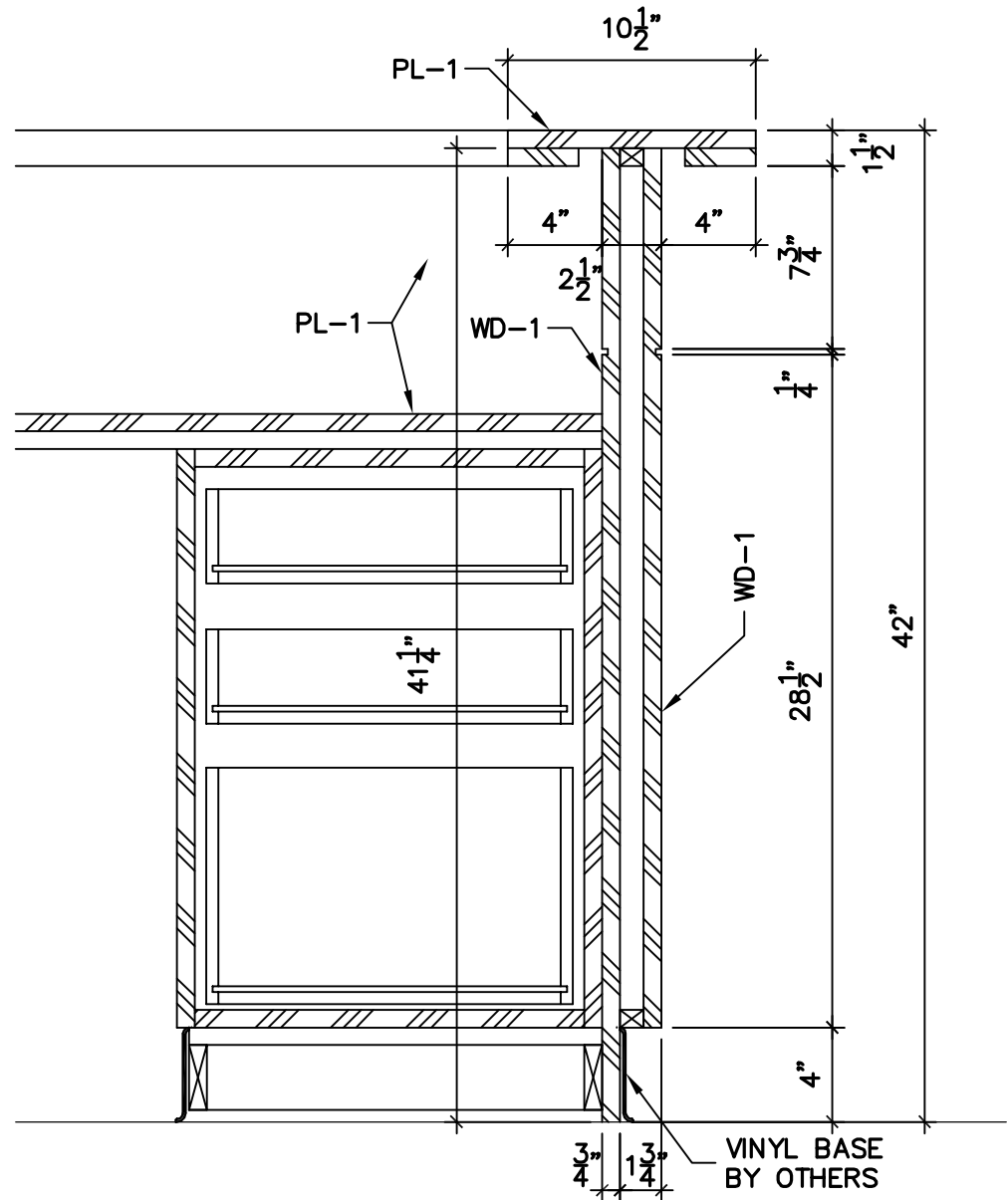
D
 4-2



A VERTICAL SECTION
 4-3 SCALE: 1-1/2" = 1'- 0"
 ARCH. REF: 1-201.3/A8.2



C REVEAL DETAIL
 4-3 SCALE: 6" = 1'- 0"
 ARCH. REF:



B VERTICAL SECTION
 4-3 SCALE: 1-1/2" = 1'- 0"
 ARCH. REF:

REVISIONS	BY
JOB#	
DRAWN BY:	DATE
TM	02/08/06

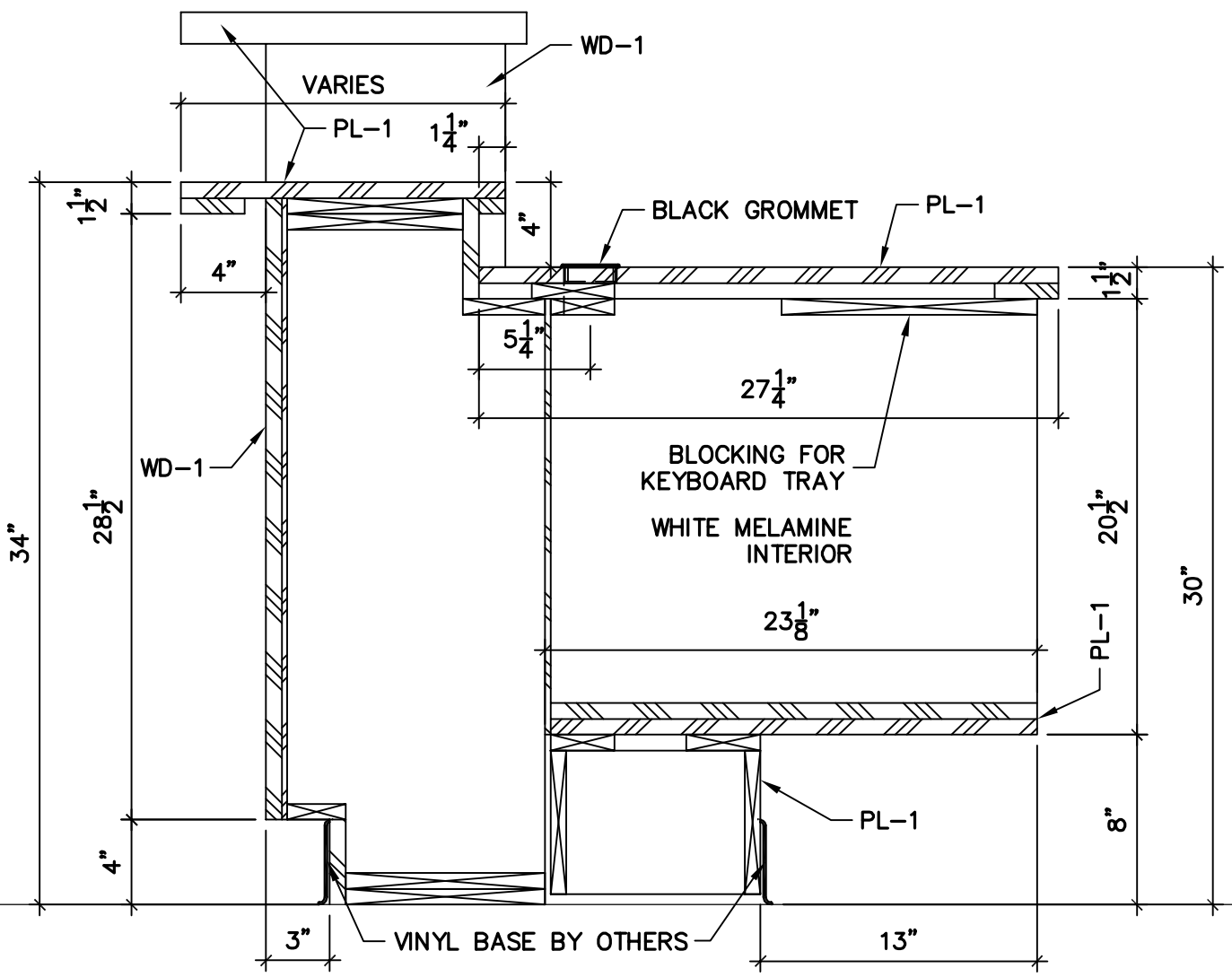
Job Name:

Contractor:

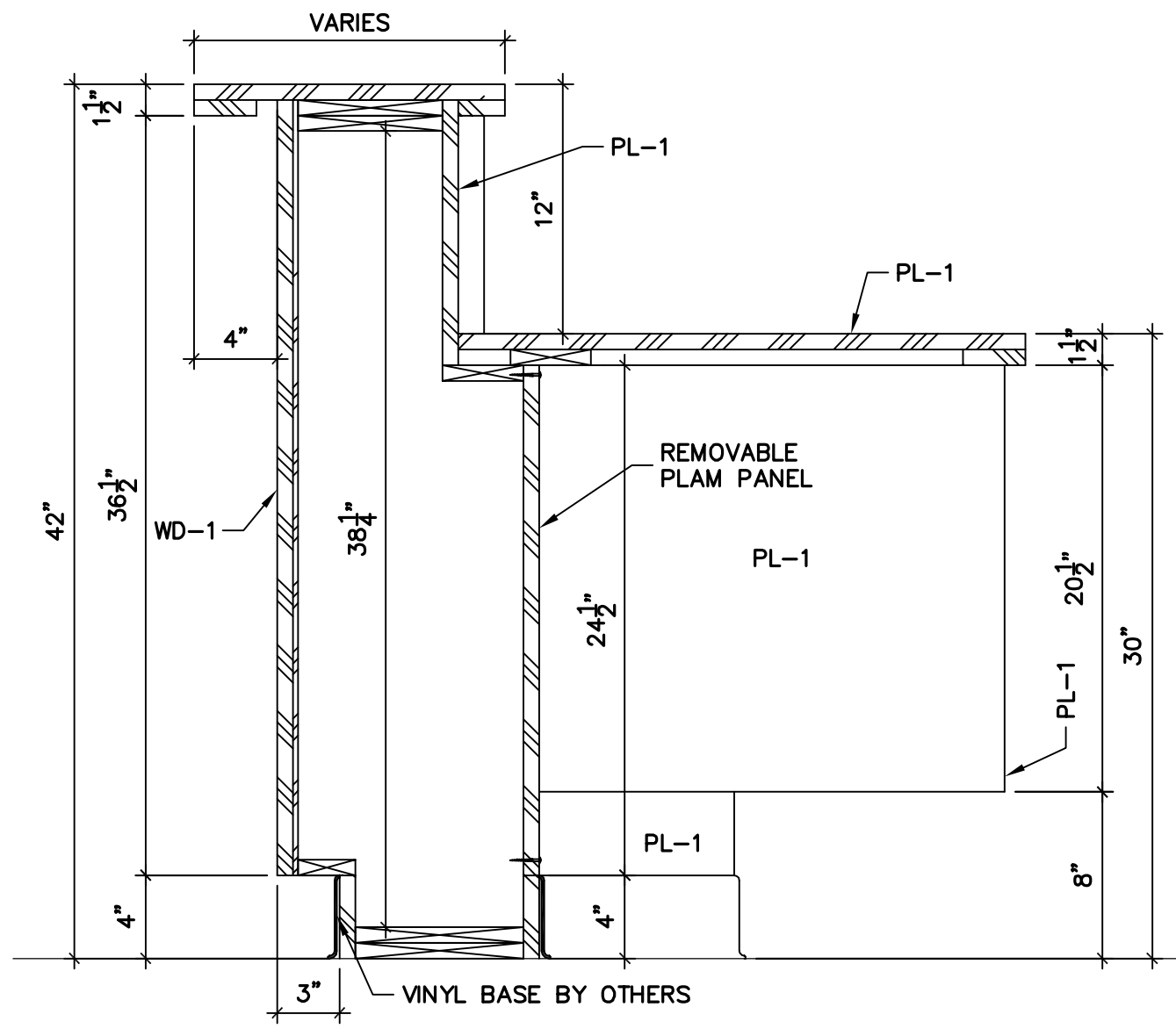
Architect:

Location:

REVISIONS	BY
JOB#	
DRAWN BY:	DATE
TM	02/08/06



A VERTICAL SECTION
 4-4 SCALE: 1-1/2" = 1'- 0"
 ARCH. REF: 1-201.3/A8.2



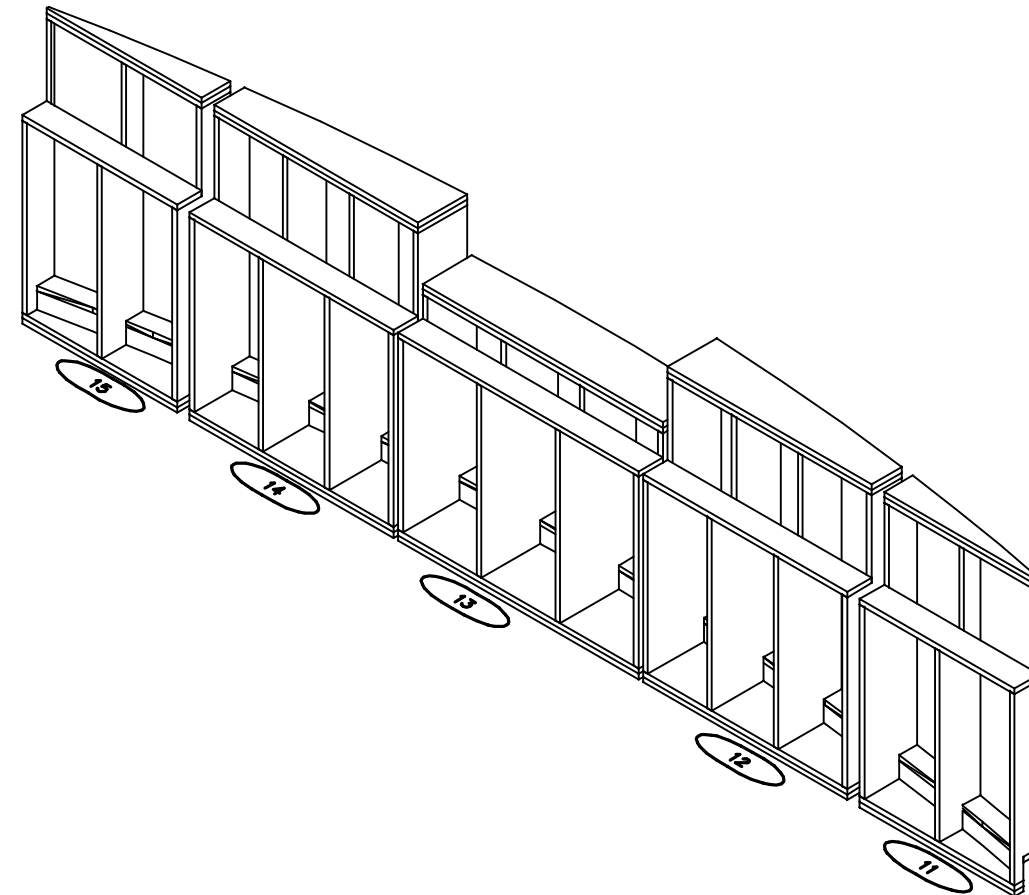
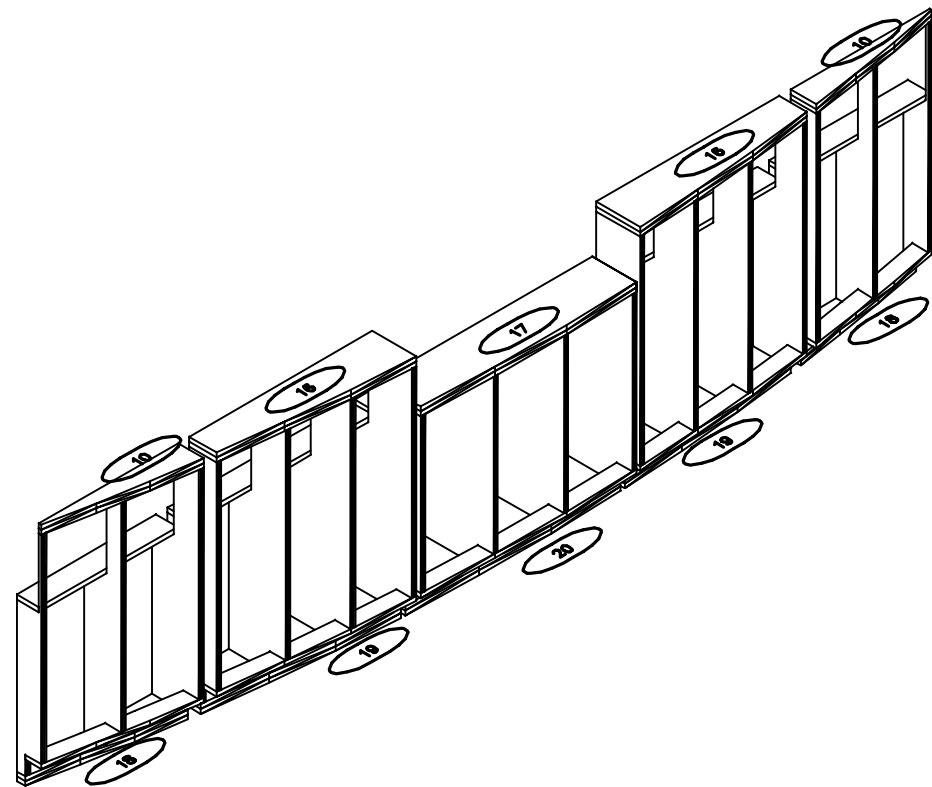
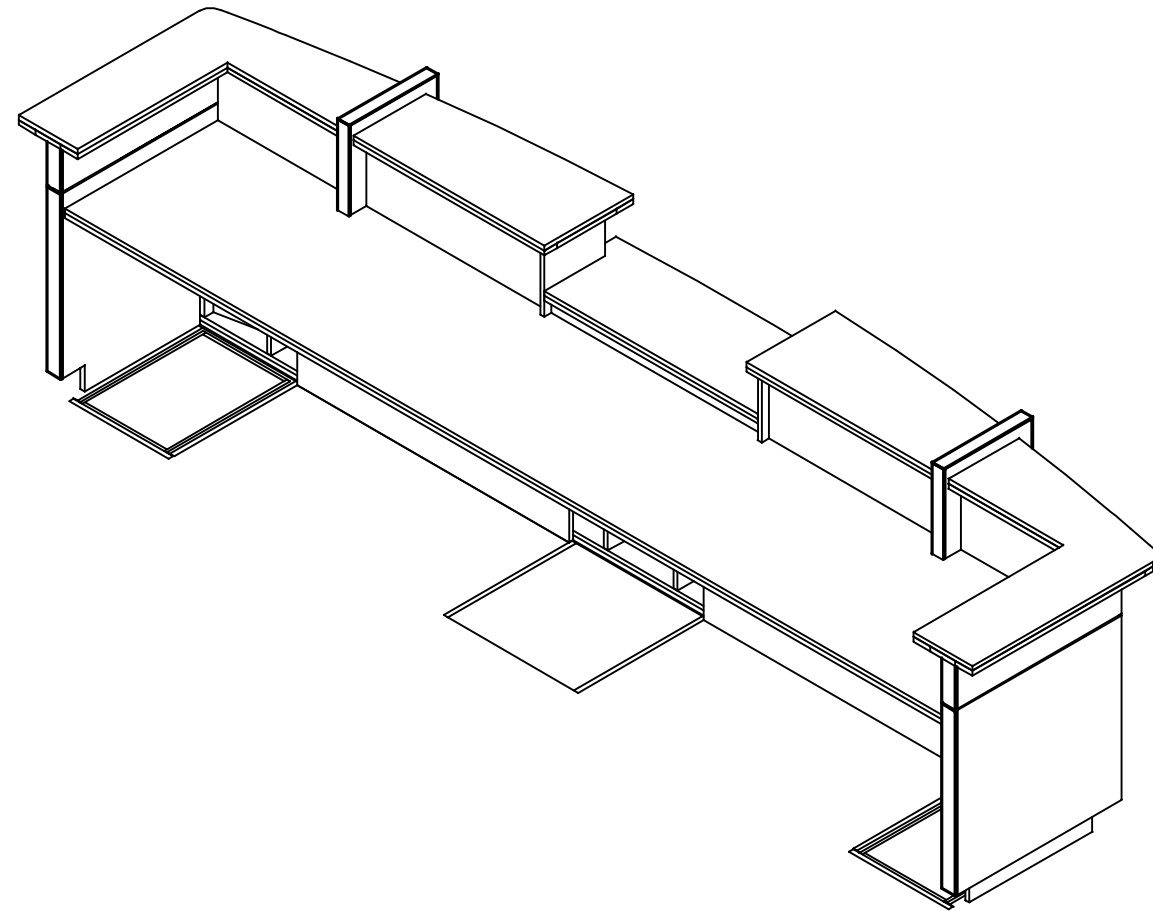
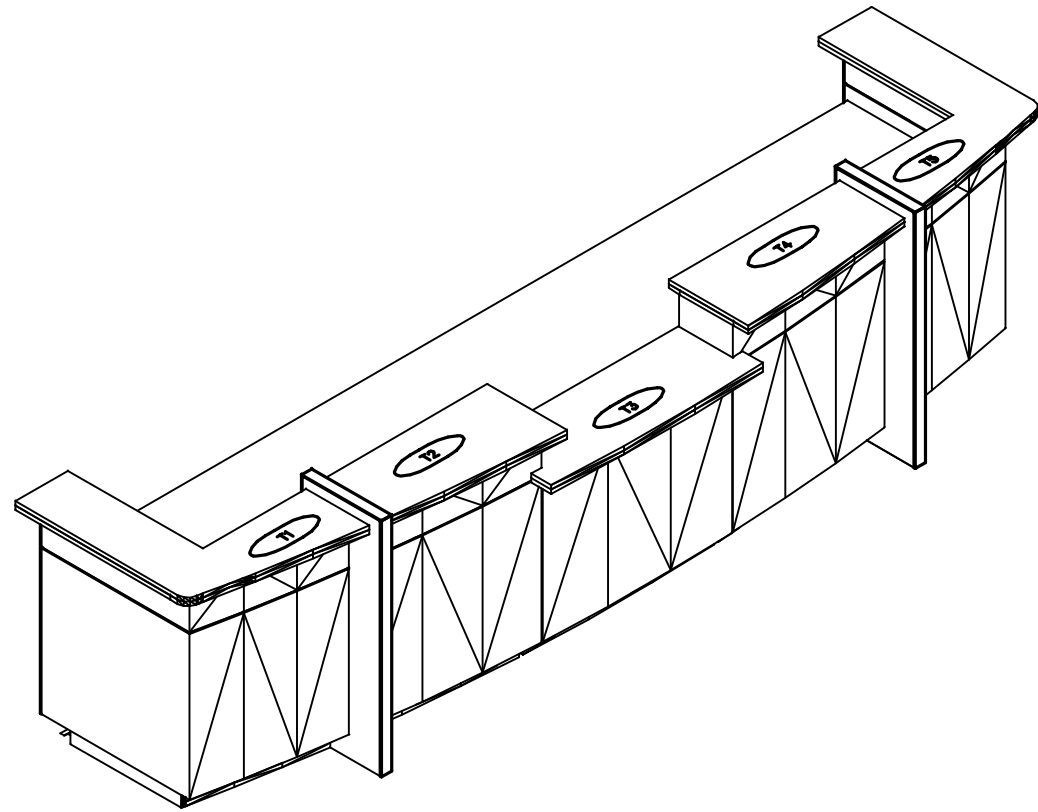
B VERTICAL SECTION
 4-4 SCALE: 1-1/2" = 1'- 0"
 ARCH. REF:

Job Name:

Contractor:

Architect:

Location:



REVISIONS	BY
JOB#	
DRAWN BY:	DATE
TM	02/10/06

Job Name:

Contractor:

Architect:

Location: