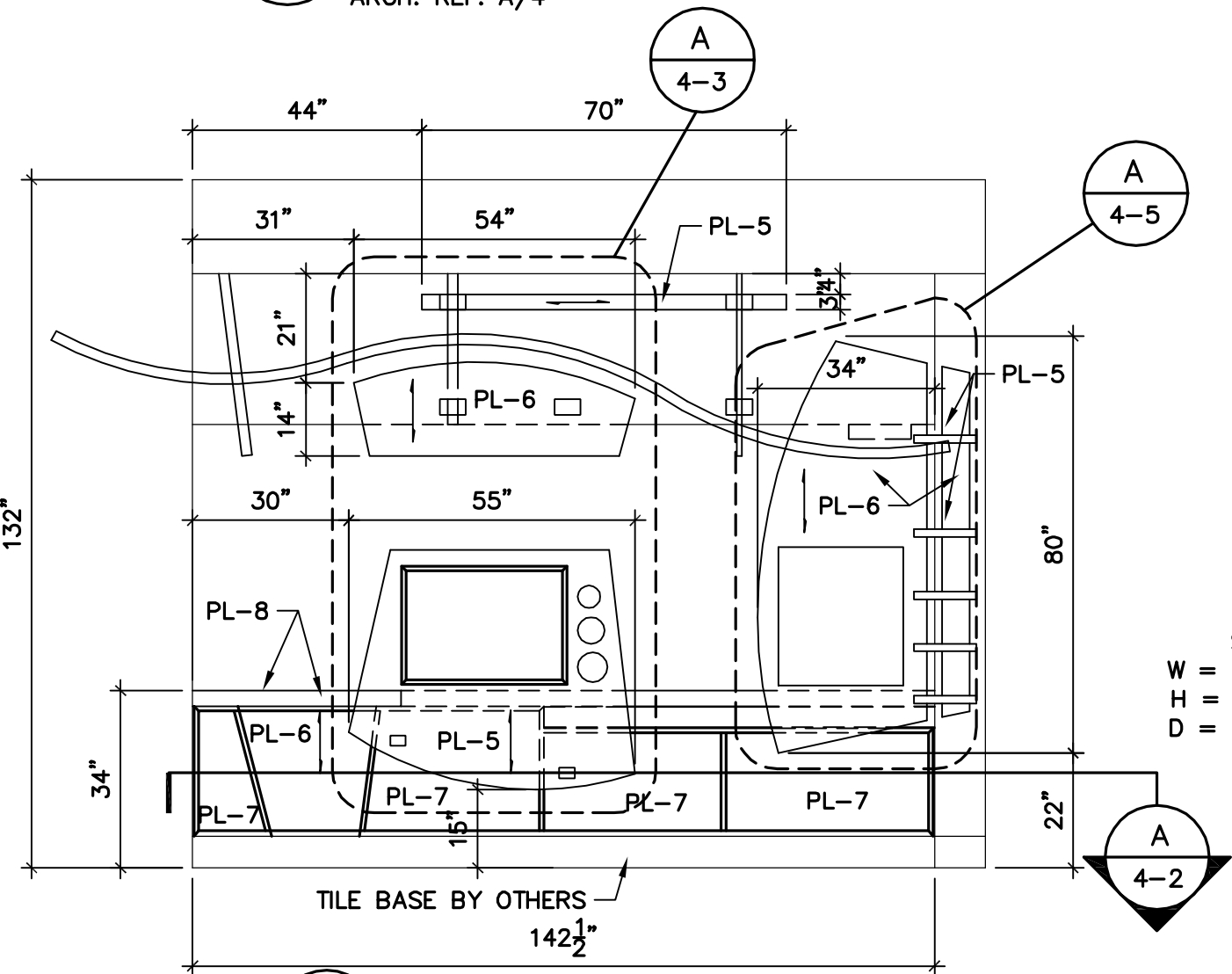
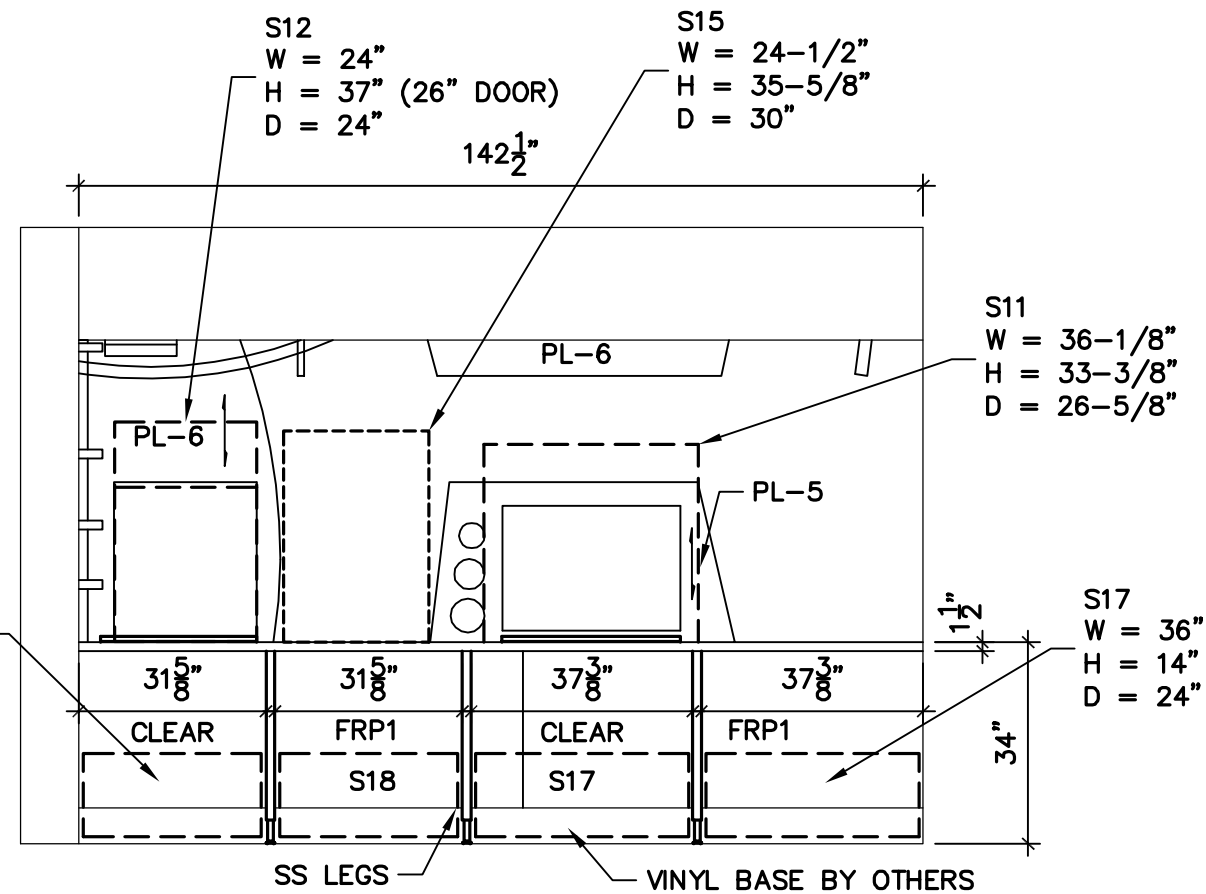


PLAN VIEW
 SCALE: 3/8" = 1'-0"
 ARCH. REF: A/4



ELEVATION B
 SCALE: 3/8" = 1'-0"
 ARCH. REF: D/9



ELEVATION C
 SCALE: 3/8" = 1'-0"
 ARCH. REF: C/9

FINISHES:	
PL-5:	NEVAMAR #WM5577T "SCANDIA MAPLE" TEXTURED
PL-6:	NEVAMAR #WM8350T "CARMEL SAGEWOOD" TEXTURED
PL-7:	WILSONART #4744-60 "KARRATHA BRUSH"
PL-8:	NEVAMAR #MR6002T "CHARCOAL MATRIX"
FRP1:	FIBERGLAS REINFORCED PANELS "WHITE"
CABINET HARDWARE:	
SS LEGS	

NOTE: ALL CABINET INTERIORS TO BE WHITE MELAMINE UNLESS OTHERWISE NOTED.

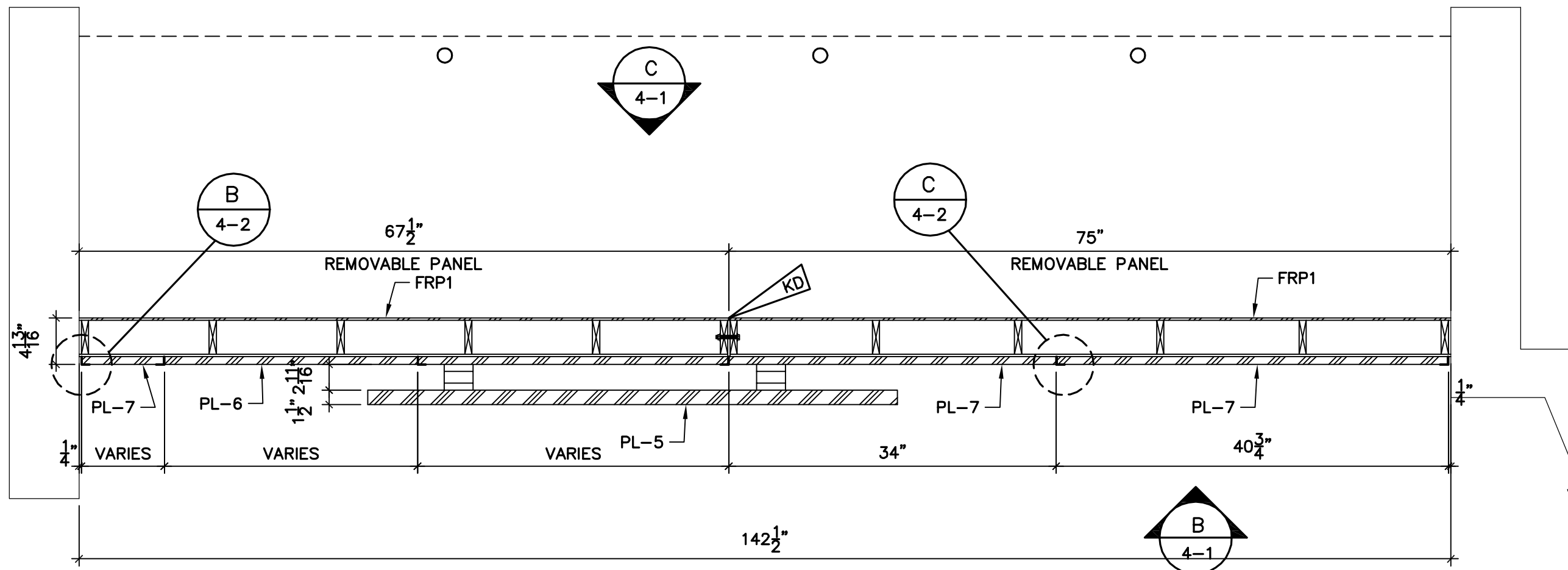
REVISIONS	BY
JOB#	
DRAWN BY:	DATE
TM	04/23/05

Job Name: _____

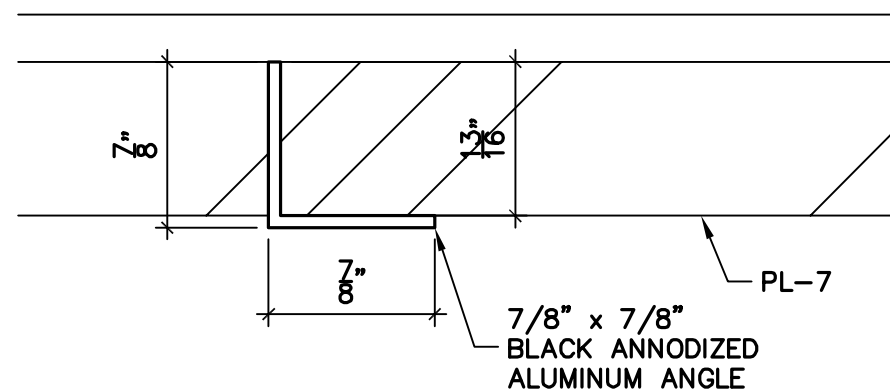
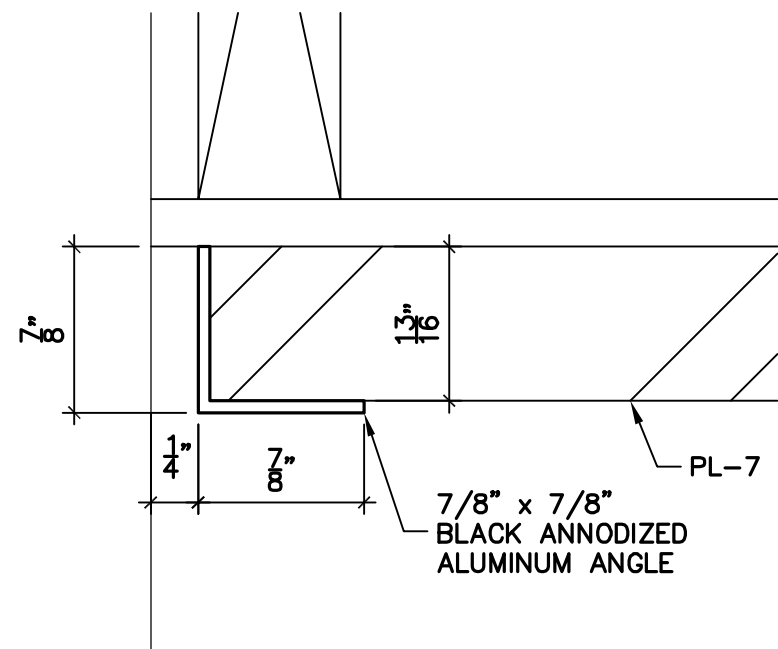
Contractor: _____

Architect: _____

Location: _____



A HORIZONTAL SECTION
 4-2 SCALE: 1" = 1'- 0"
 ARCH. REF: 4



B PANEL EDGE DETAIL
 4-2 SCALE: FULL
 ARCH. REF:

C PANEL EDGE DETAIL
 4-2 SCALE: FULL
 ARCH. REF:

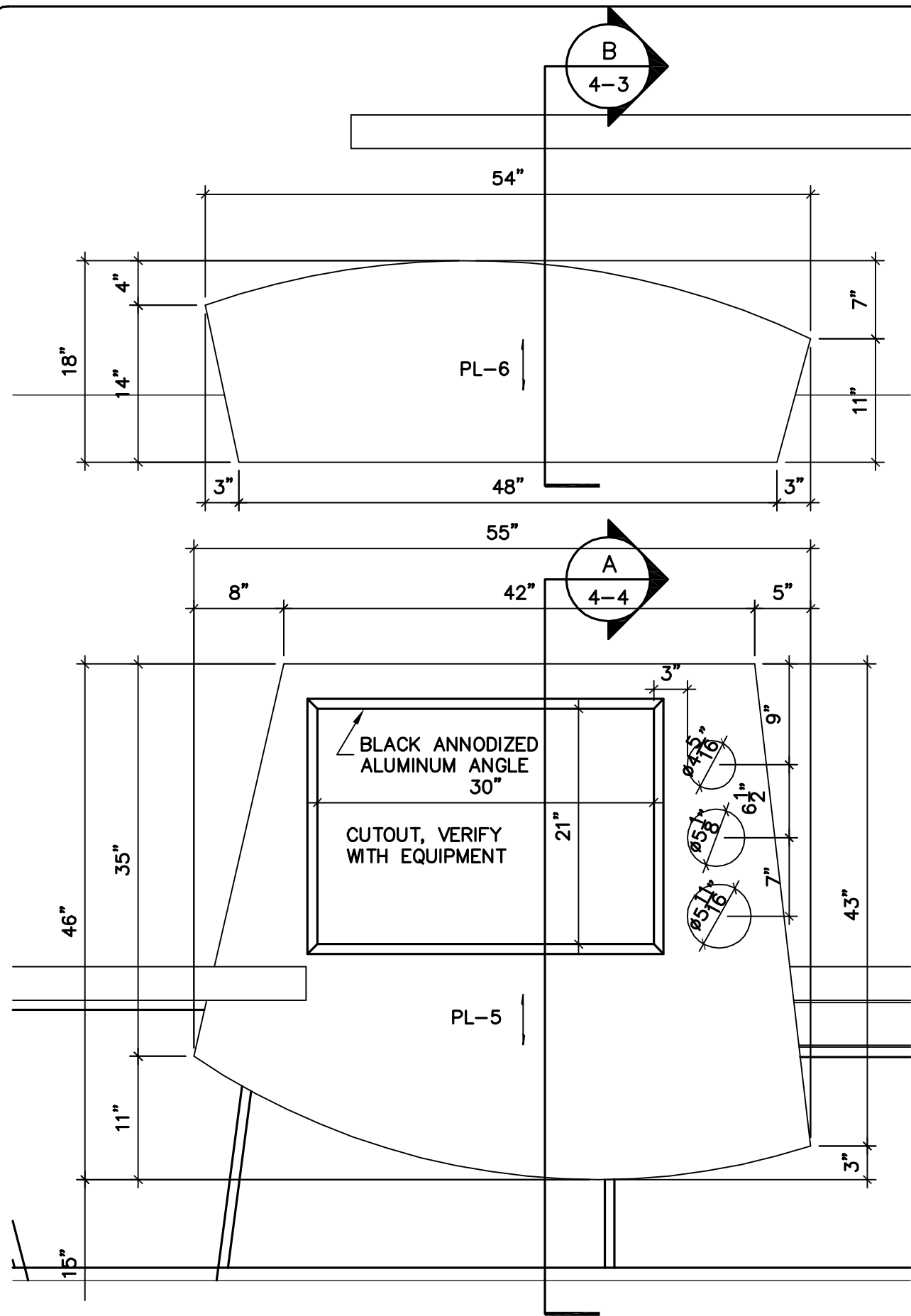
REVISIONS	BY
JOB#	
DRAWN BY:	DATE
TM	04/25/05

Job Name:

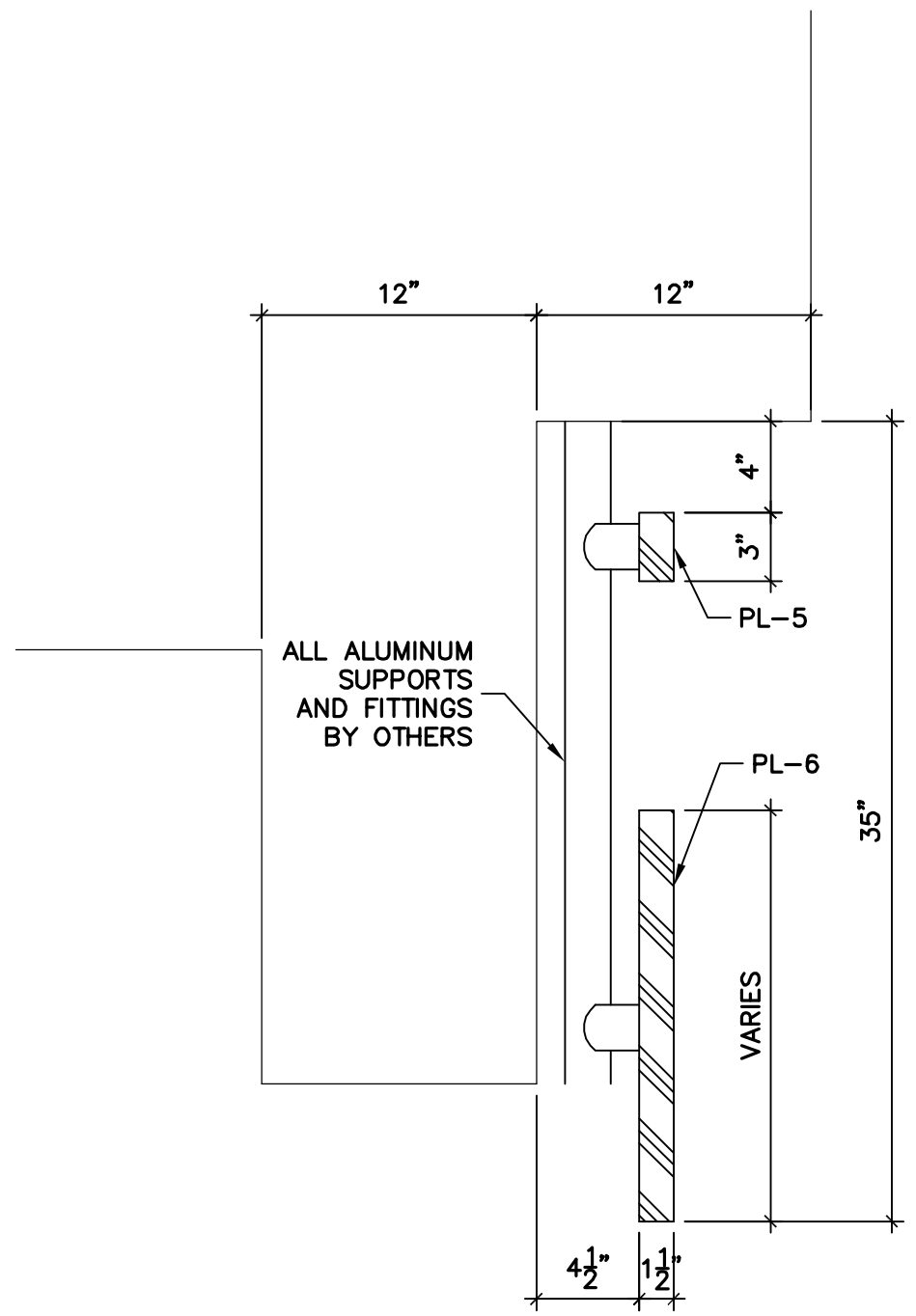
Contractor:

Architect:

Location:



A DETAIL OF FACADE PANELS
 4-3 SCALE: 1" = 1'- 0"
 ARCH. REF:



B VERTICAL SECTION
 4-3 SCALE: 1-1/2" = 1'- 0"
 ARCH. REF:

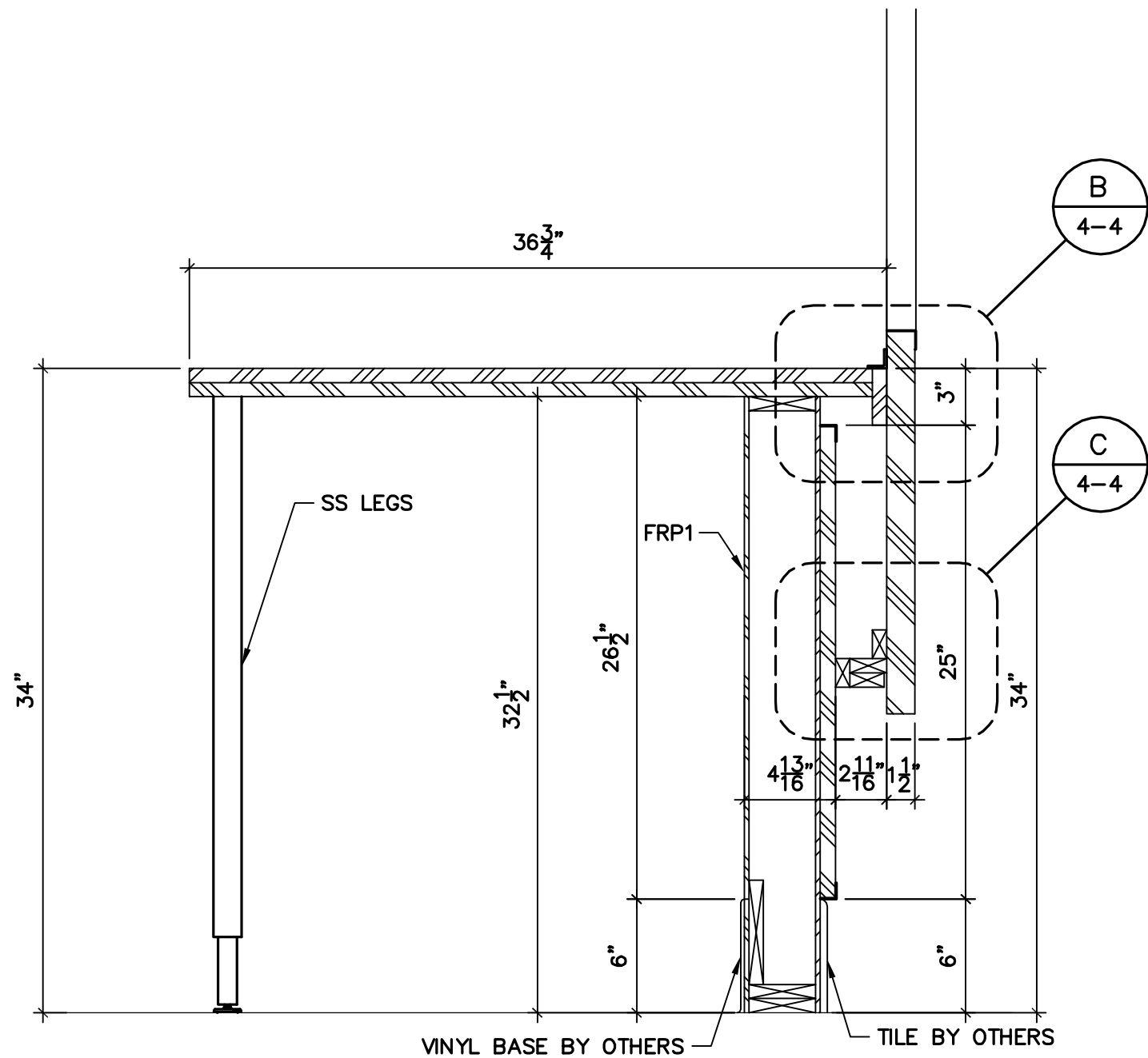
REVISIONS	BY
JOB#	
DRAWN BY:	DATE
TM	04/25/05

Job Name:

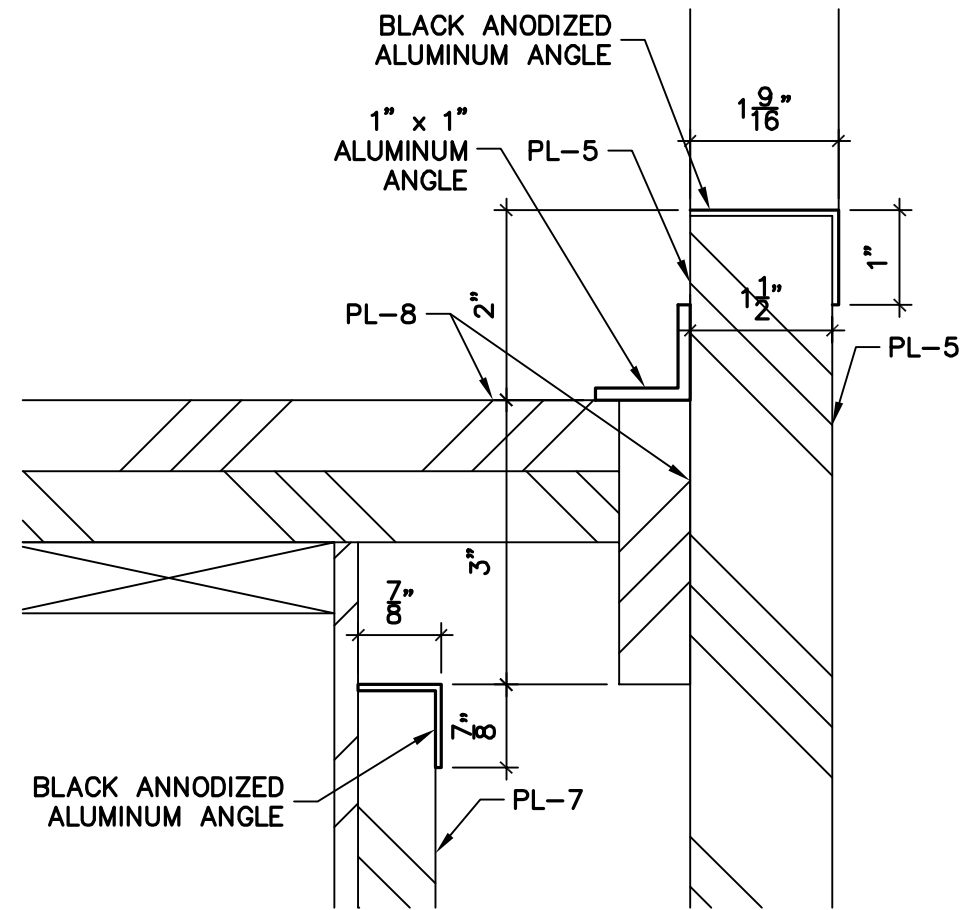
Contractor:

Architect:

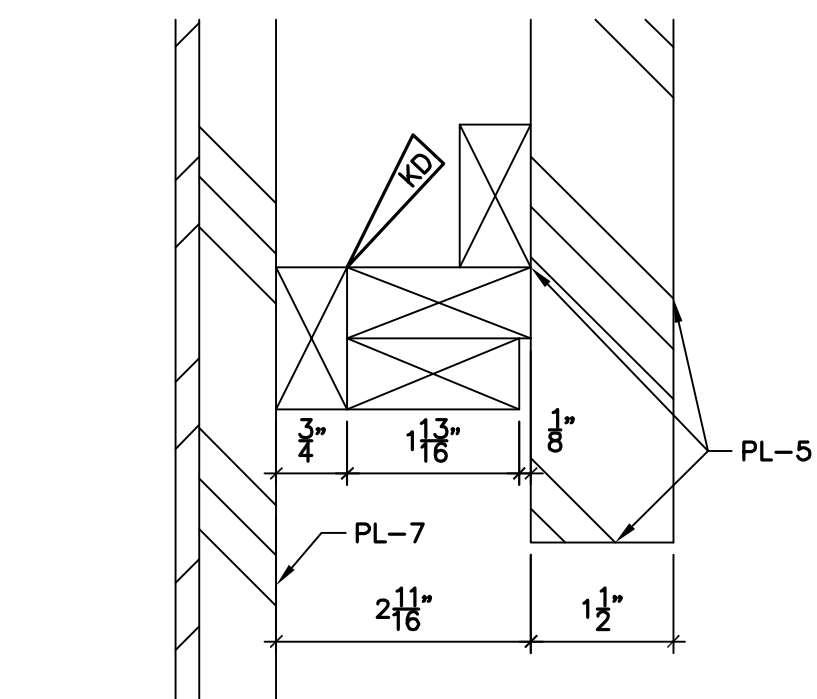
Location:



A VERTICAL SECTION
 4-4 SCALE: 1-1/2" = 1'- 0"
 ARCH. REF: E/7



B DETAIL AT COUNTER TOP
 4-4 SCALE: 6" = 1'- 0"
 ARCH. REF: E/7



C DETAIL AT FACADE PANEL
 4-4 SCALE: 6" = 1'- 0"
 ARCH. REF:

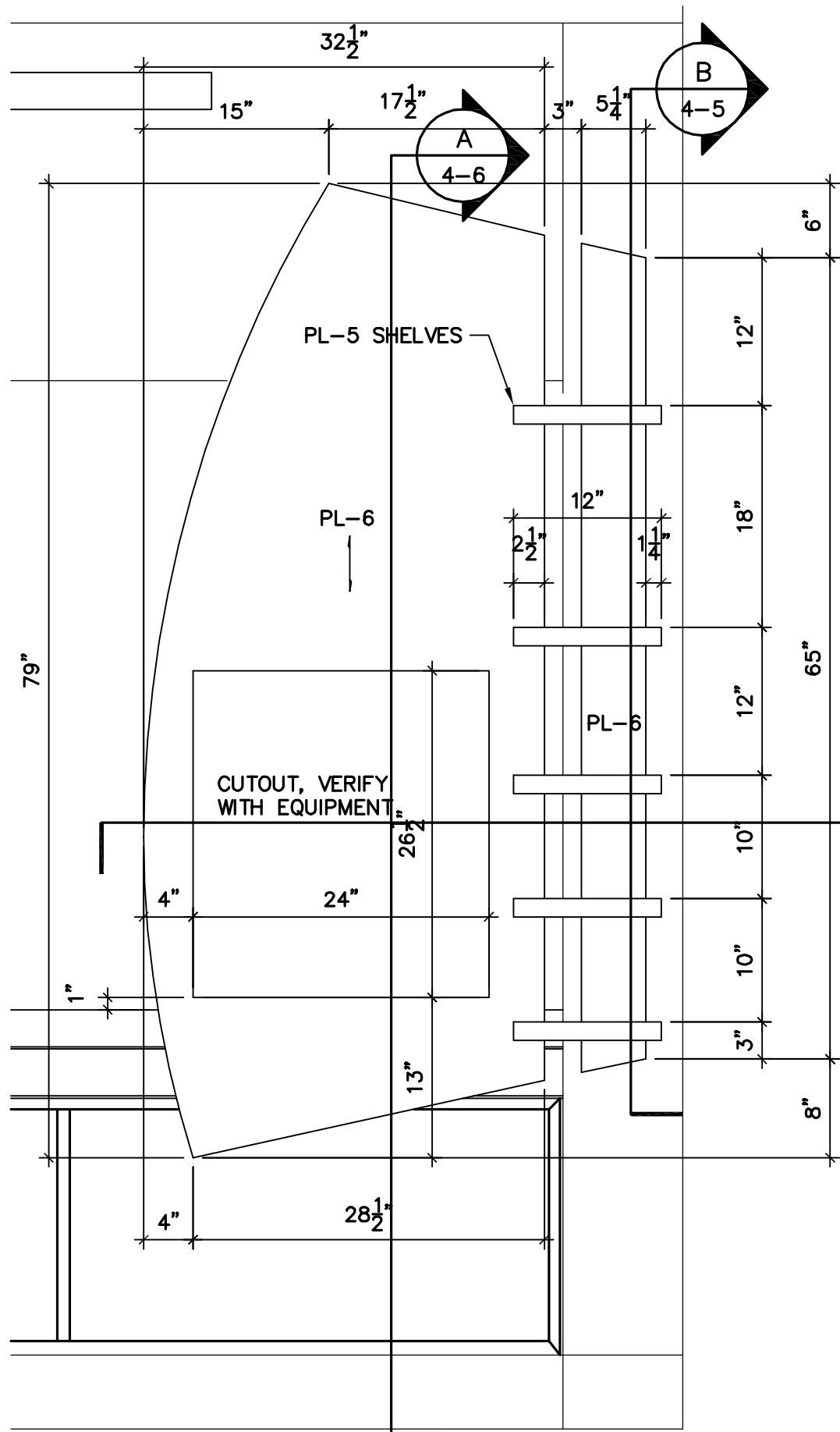
REVISIONS	BY
JOB#	
DRAWN BY:	DATE
TM	04/25/05

Job Name:

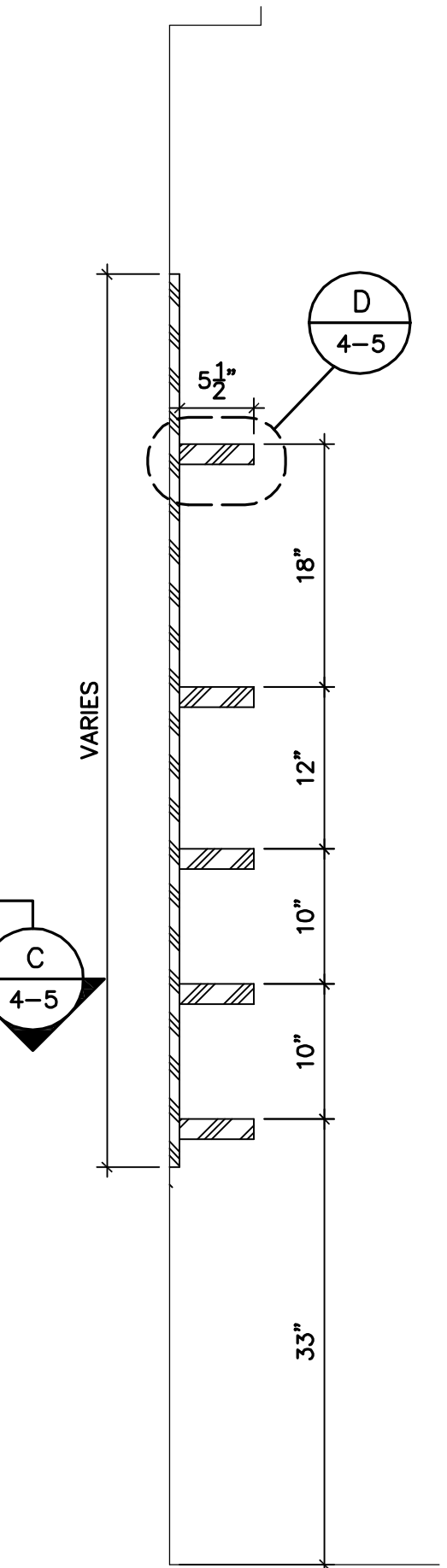
Contractor:

Architect:

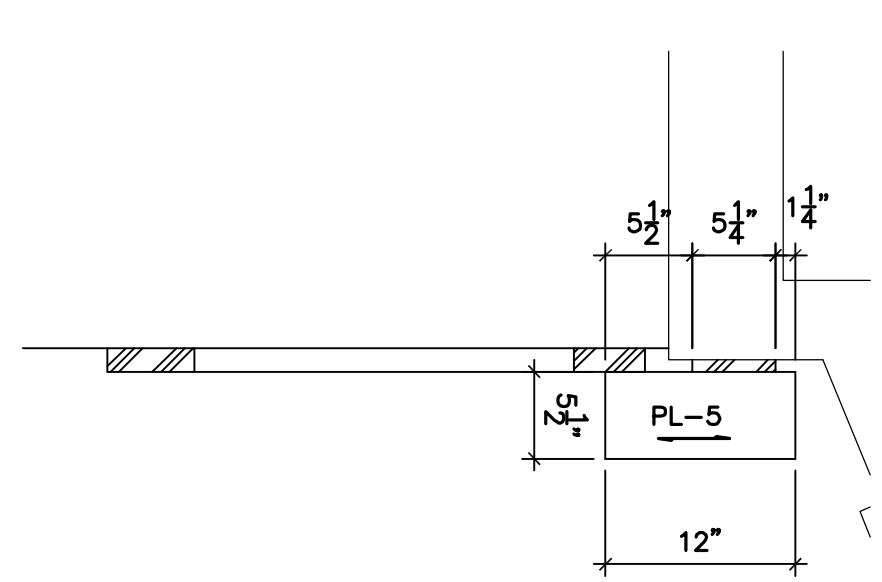
Location:



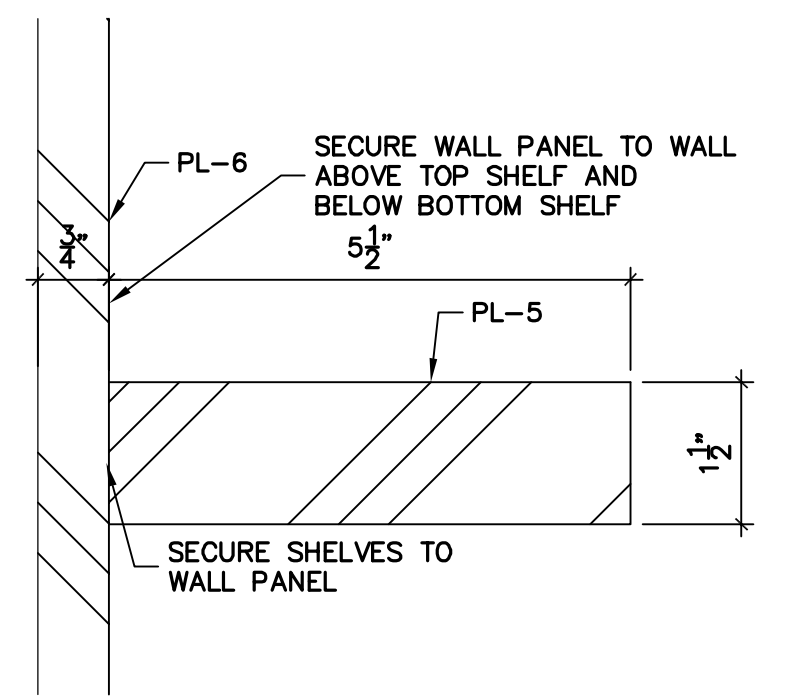
A DETAILS OF FACADE PANELS
 4-5 SCALE: 1" = 1'- 0"
 ARCH. REF:



B VERTICAL SECTION
 4-5 SCALE: 1" = 1'- 0"
 ARCH. REF:



C HORIZONTAL SECTION
 4-5 SCALE: 1" = 1'- 0"
 ARCH. REF:



D SHELF DETAIL
 4-5 SCALE: 6" = 1'- 0"
 ARCH. REF:

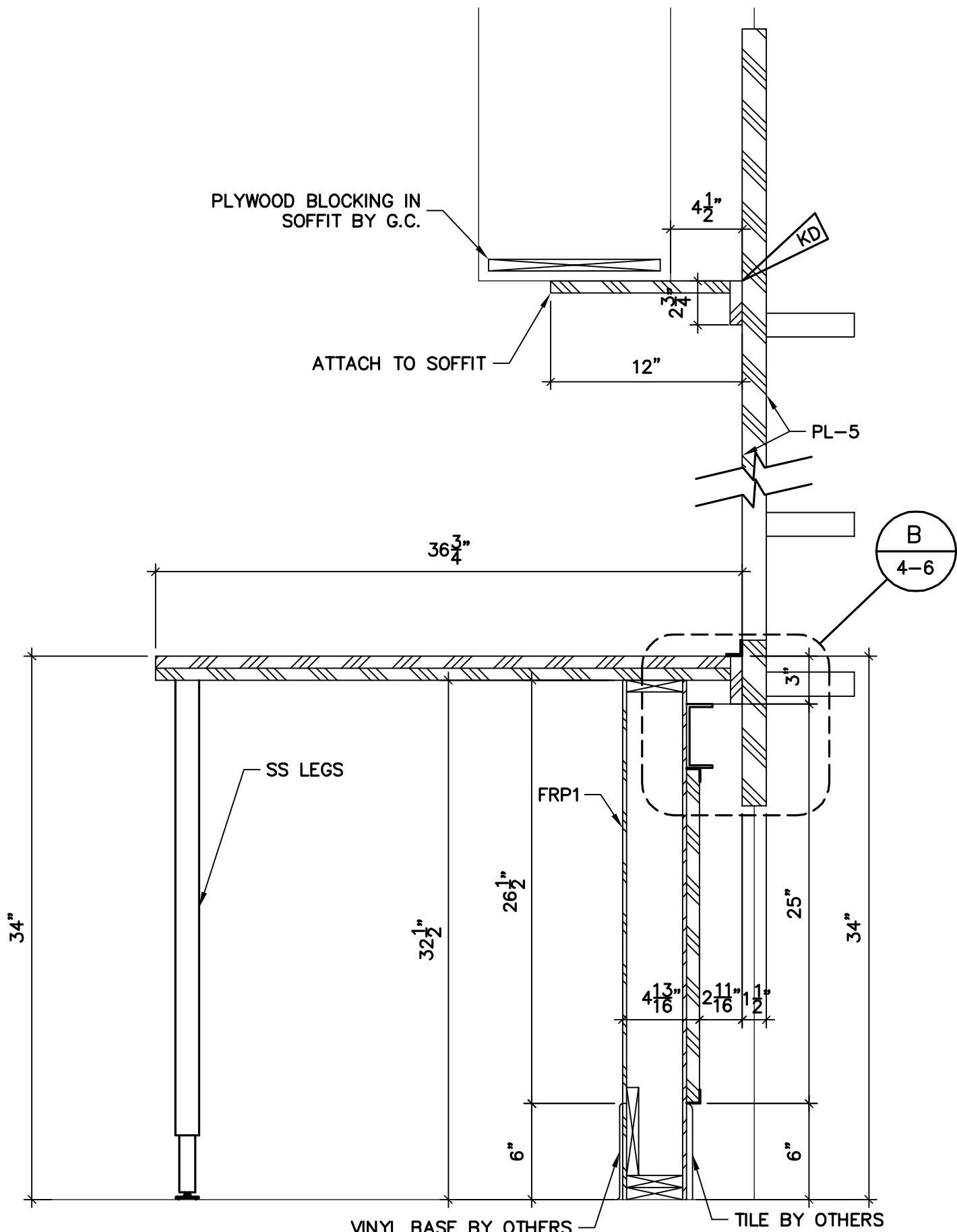
REVISIONS	BY
JOB#	
DRAWN BY:	DATE
TM	04/25/05

Job Name:

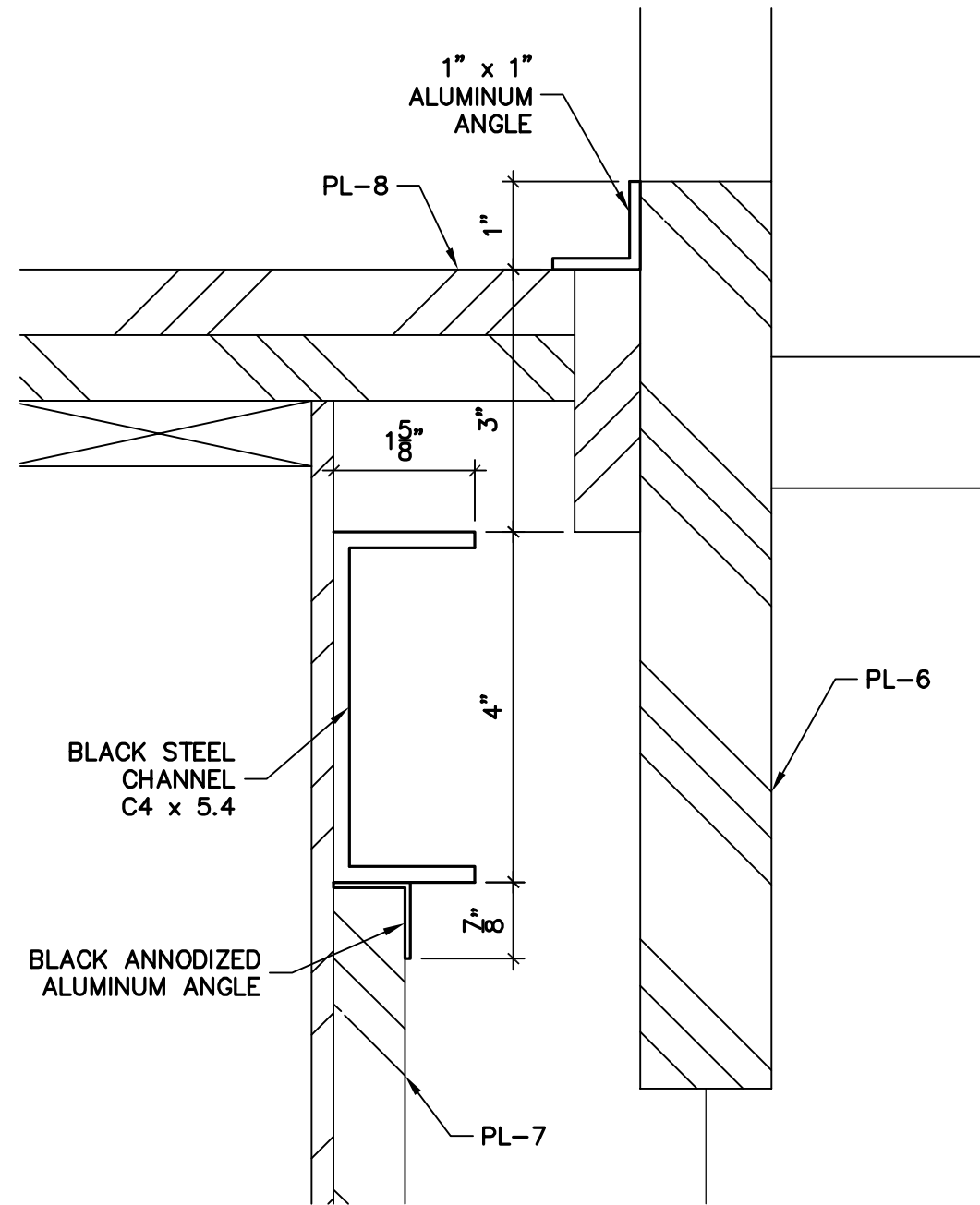
Contractor:

Architect:

Location:



A
4-6
VERTICAL SECTION
SCALE: 1-1/2" = 1'- 0"
ARCH. REF: E/7



B
4-6
DETAIL AT COUNTER TOP
SCALE: 6" = 1'- 0"
ARCH. REF: E/7

REVISIONS	BY
JOB#	
DRAWN BY:	DATE
TM	04/25/05

Job Name:

Contractor:

Architect:

Location: