

FINISHES:	
PL-8:	NEVAMAR #MR6002T "CHARCOAL MATRIX"
PL-9:	FORMICA #7481-58 "NATURAL BIRCH" SUEDE
PL-12:	FORMICA #7498-58 "LAPIS" MATTE
FRP1:	FIBERGLAS REINFORCED PANELS "WHITE"
NOTE: ALL CABINET INTERIORS TO BE WHITE MELAMINE UNLESS OTHERWISE NOTED.	
CABINET HARDWARE:	
SS LEGS	

REVISIONS	BY
JOB#	
DRAWN BY:	DATE
TM	04/23/05

Job Name:

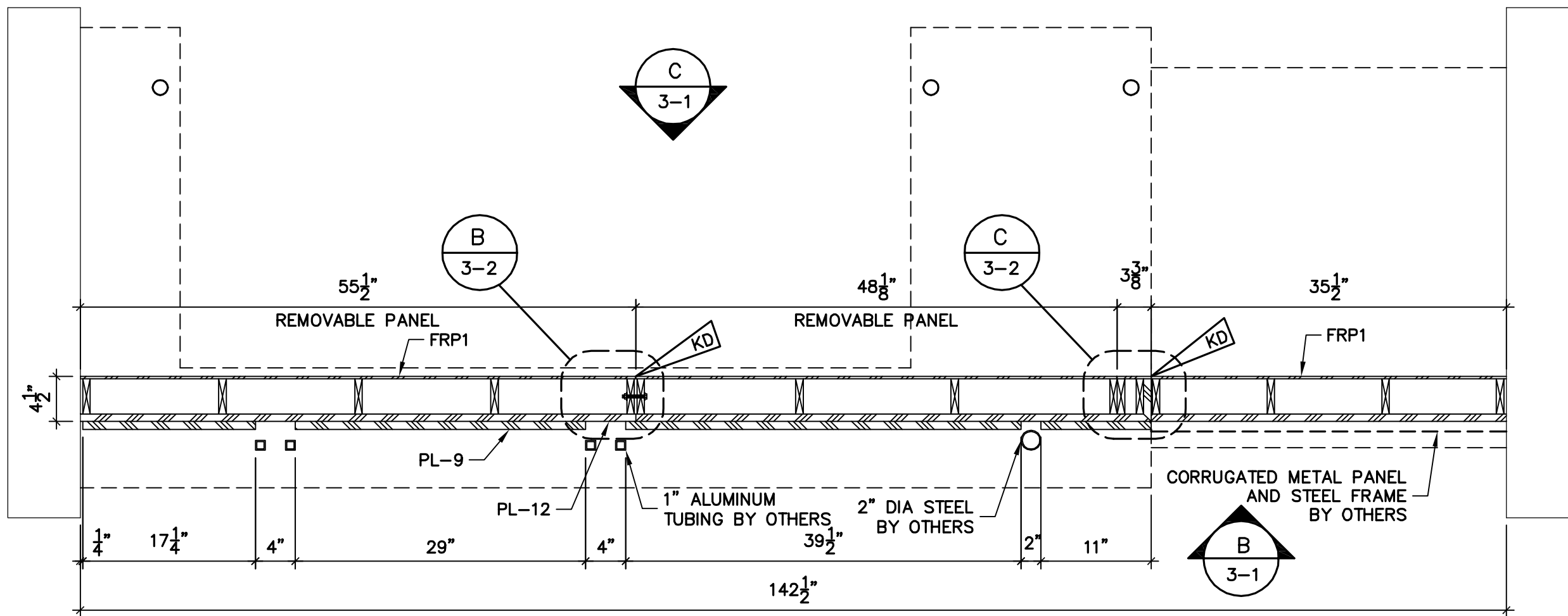
Contractor:

Architect:

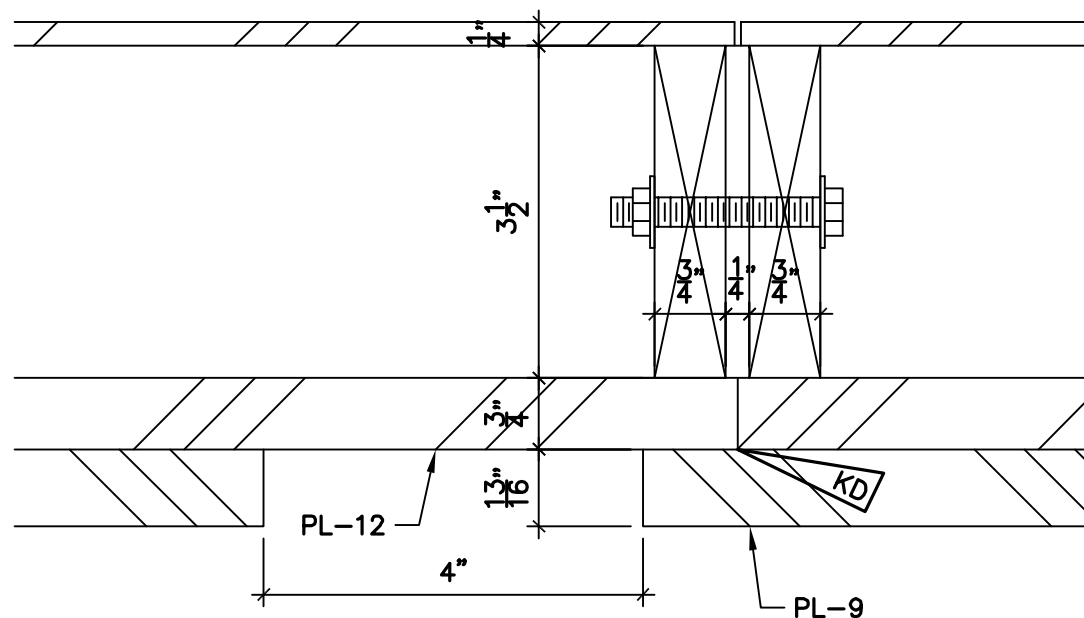
Location:

PAGE:

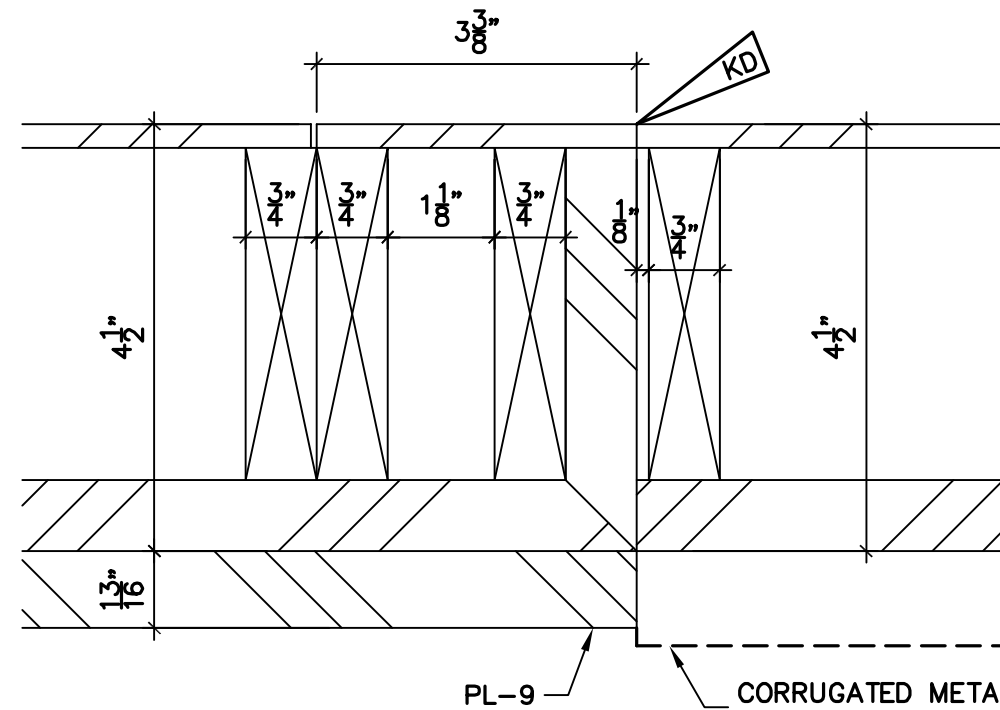
# 3-1



**A** HORIZONTAL SECTION  
 3-2 SCALE: 1" = 1'- 0"  
 ARCH. REF: 4



**B** DETAIL AT LOOSE JOINT  
 3-2 SCALE: 6" = 1'- 0"  
 ARCH. REF:



**C** DETAIL AT LOOSE JOINT  
 3-2 SCALE: 6" = 1'- 0"  
 ARCH. REF:

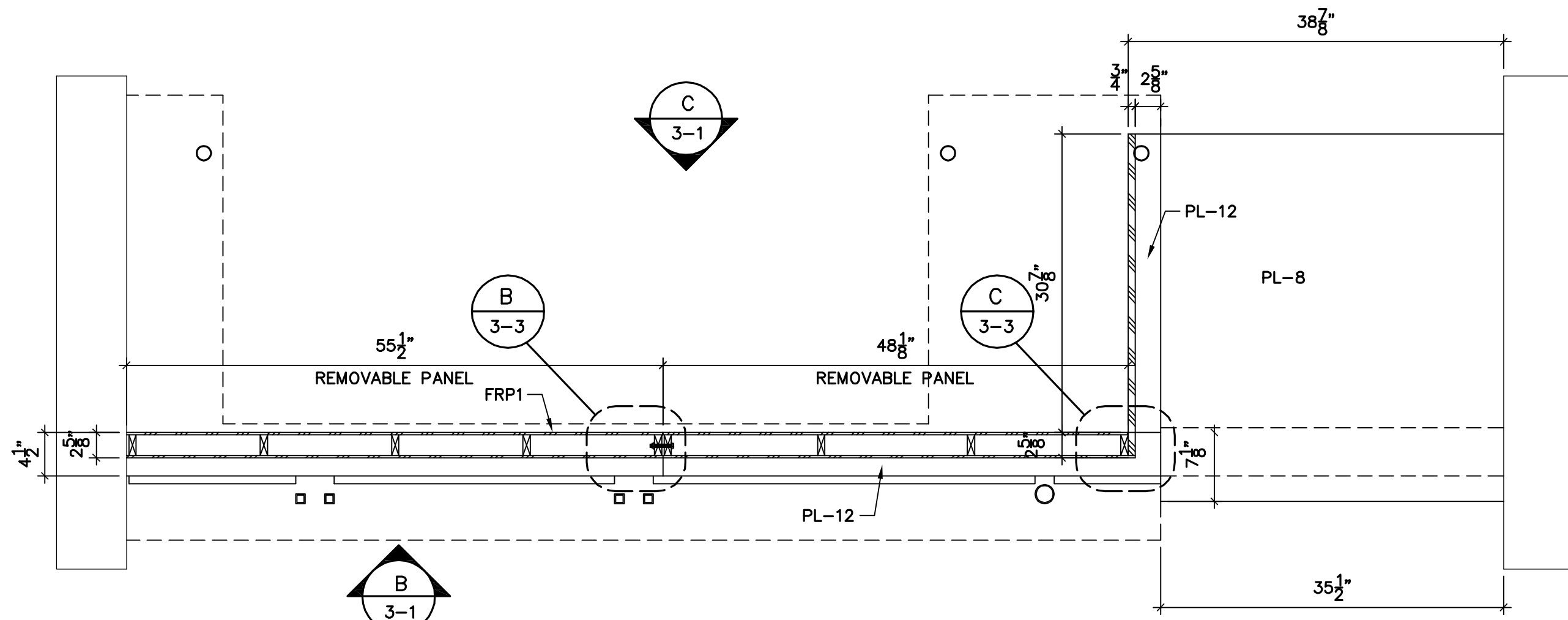
REVISIONS	BY
JOB#	
DRAWN BY:	DATE
TM	04/25/05

Job Name:

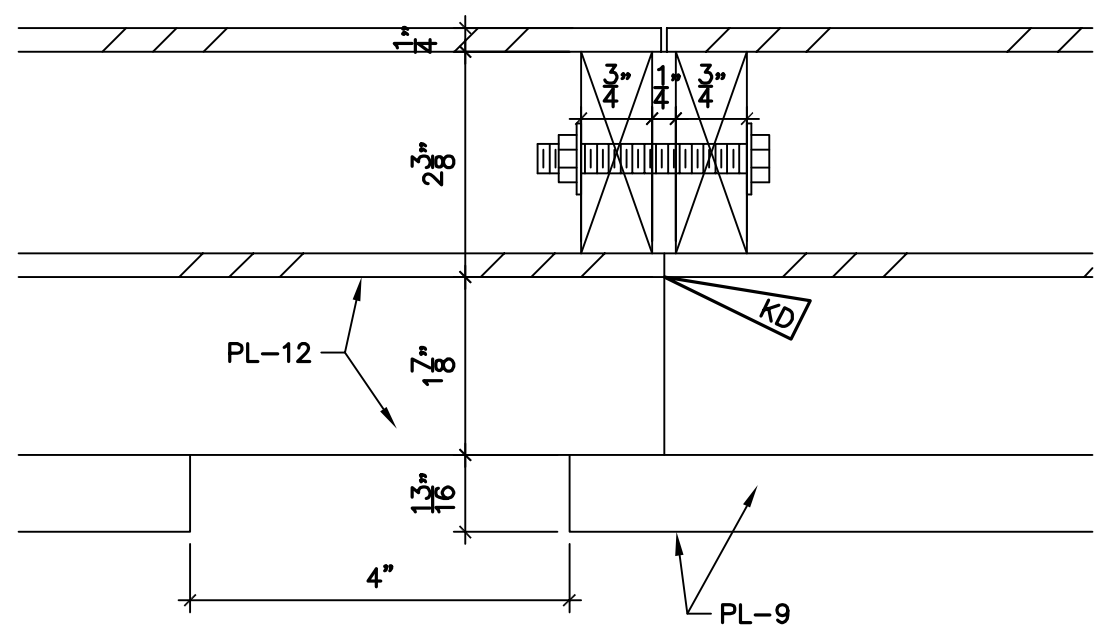
Contractor:

Architect:

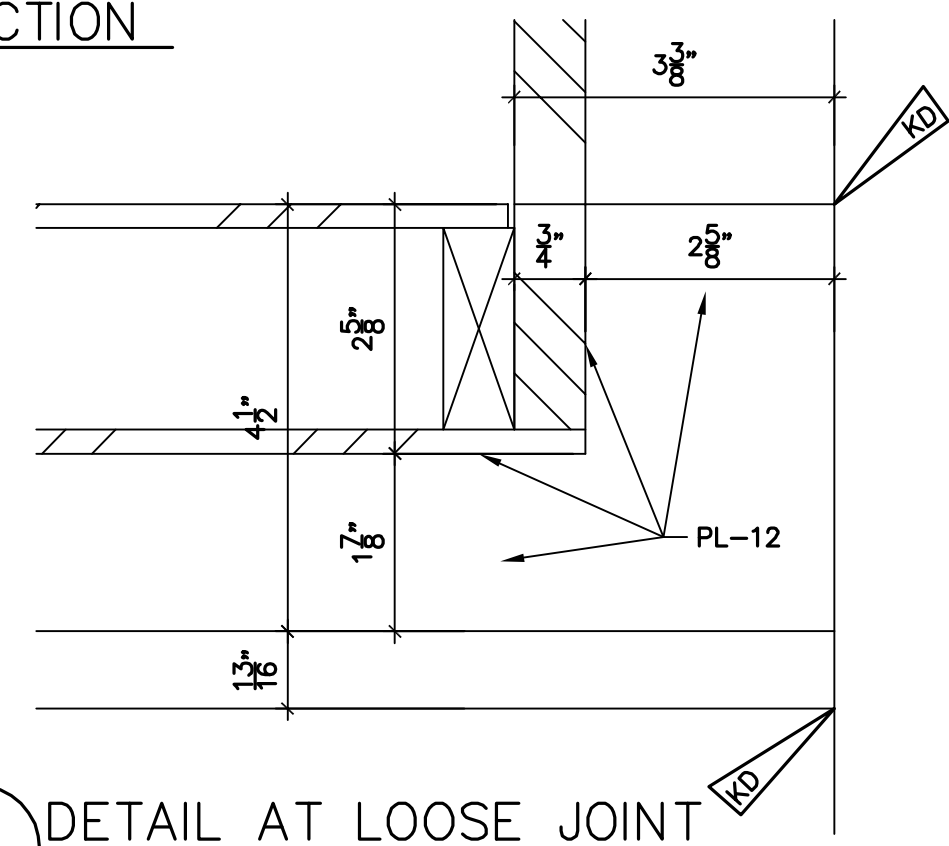
Location:



**A** HORIZONTAL SECTION  
 3-3 SCALE: 1" = 1'- 0"  
 ARCH. REF: 4



**B** DETAIL AT LOOSE JOINT  
 3-3 SCALE: 6" = 1'- 0"  
 ARCH. REF:



**C** DETAIL AT LOOSE JOINT  
 3-3 SCALE: 6" = 1'- 0"  
 ARCH. REF:

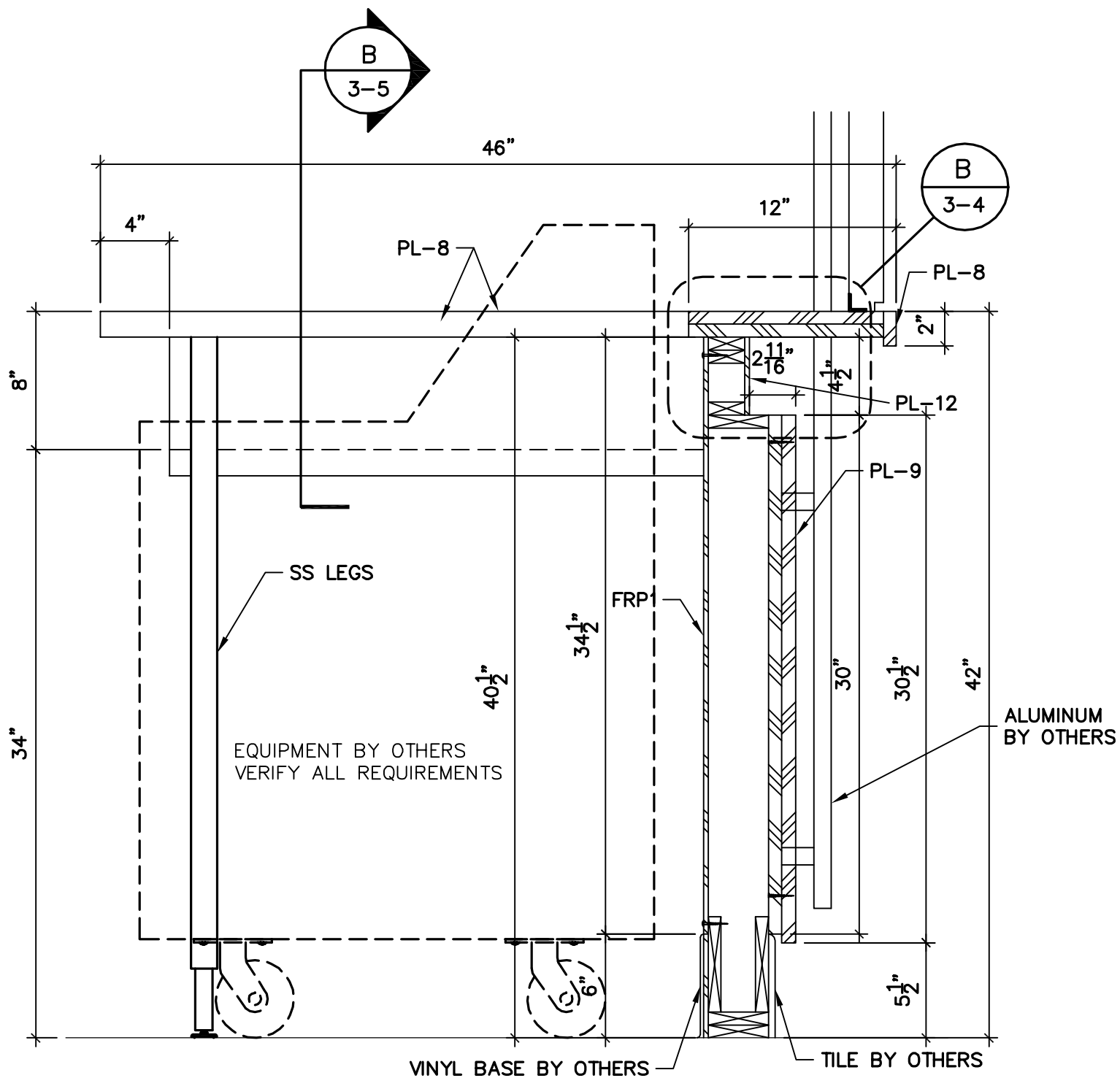
REVISIONS	BY
JOB#	
DRAWN BY:	DATE
TM	04/25/05

Job Name:

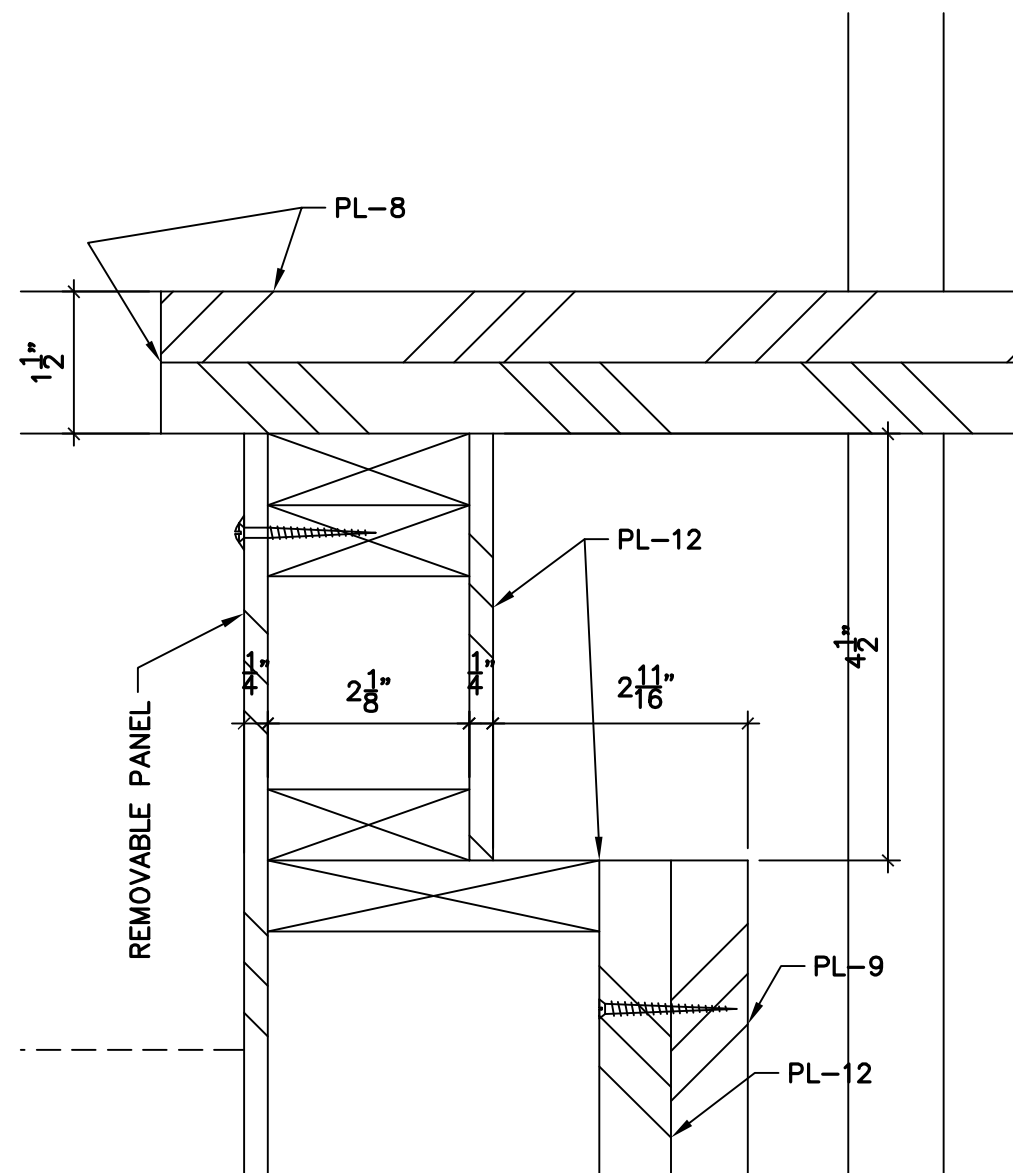
Contractor:

Architect:

Location:



**A** VERTICAL SECTION  
 3-4 SCALE: 1-1/2" = 1'- 0"  
 ARCH. REF: E/7



**B** DETAIL AT COUNTER TOP  
 3-4 SCALE: 6" = 1'- 0"  
 ARCH. REF: E/7

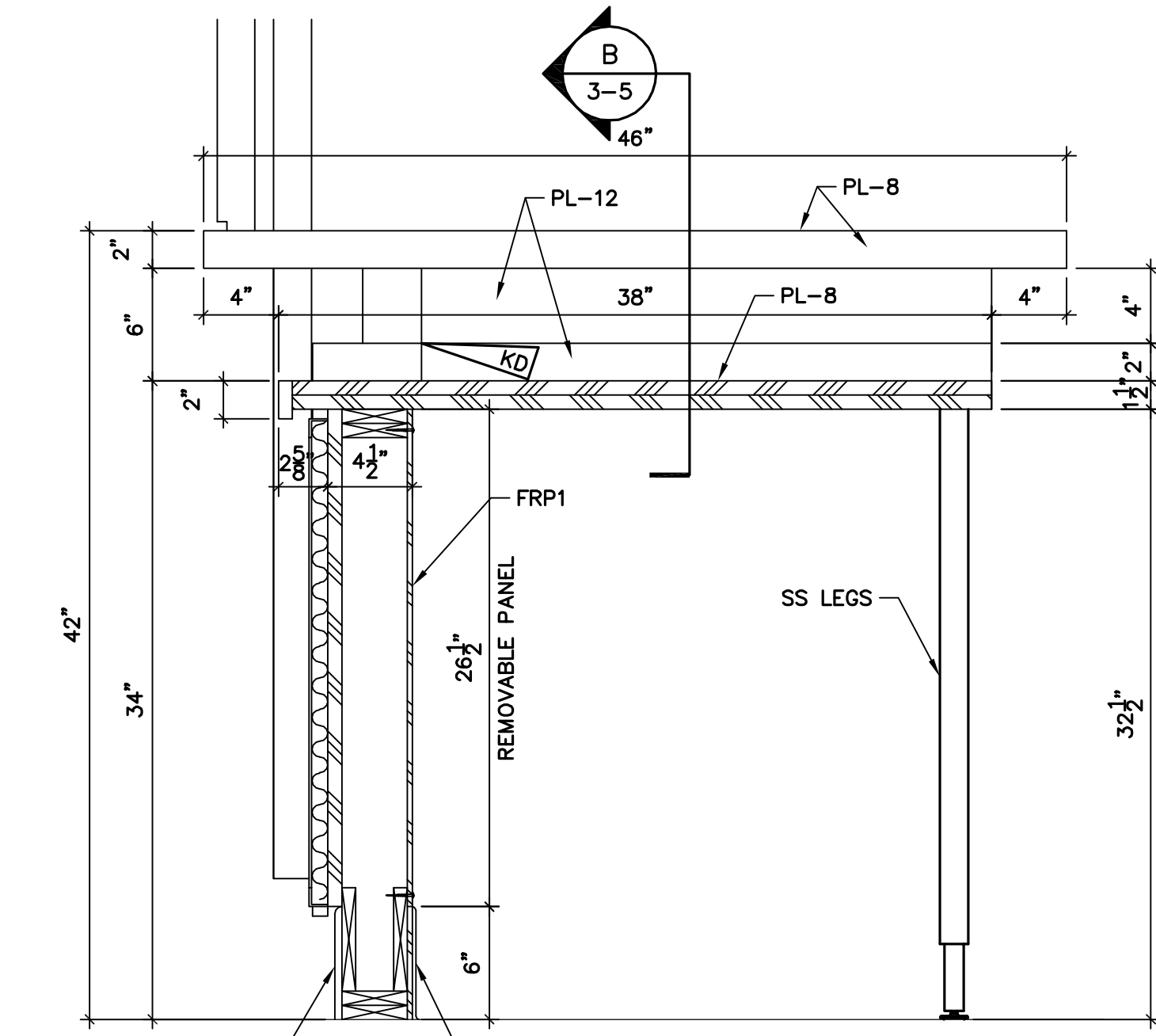
REVISIONS	BY
JOB#	
DRAWN BY:	DATE
TM	04/25/05

Job Name:

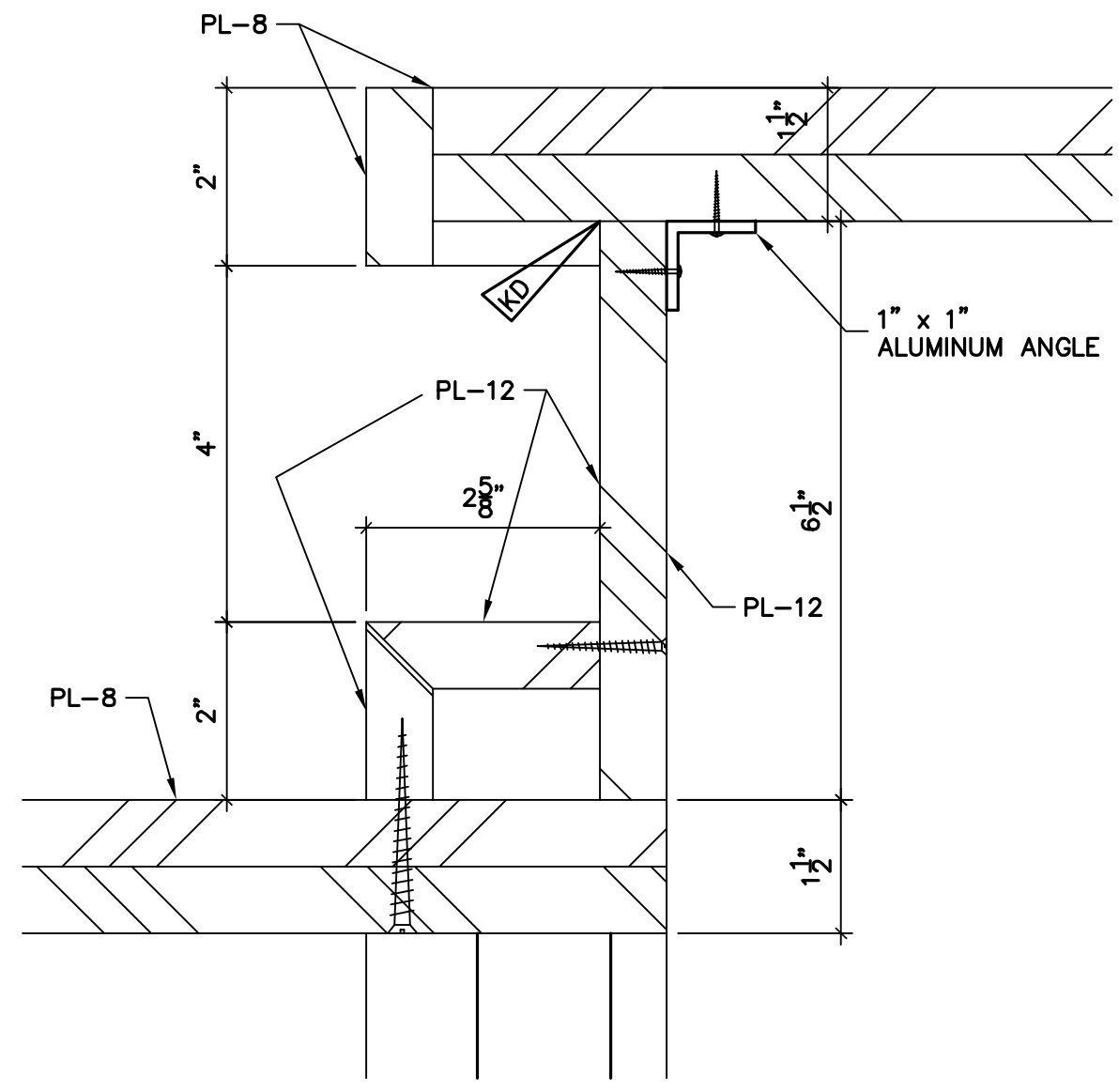
Contractor:

Architect:

Location:



**A** VERTICAL SECTION  
 3-5 SCALE: 1-1/2" = 1'- 0"  
 ARCH. REF: E/7



**B** DETAIL AT COUNTER TOP  
 3-5 SCALE: 6" = 1'- 0"  
 ARCH. REF: E/7

REVISIONS	BY
JOB#	
DRAWN BY:	DATE
TM	04/25/05

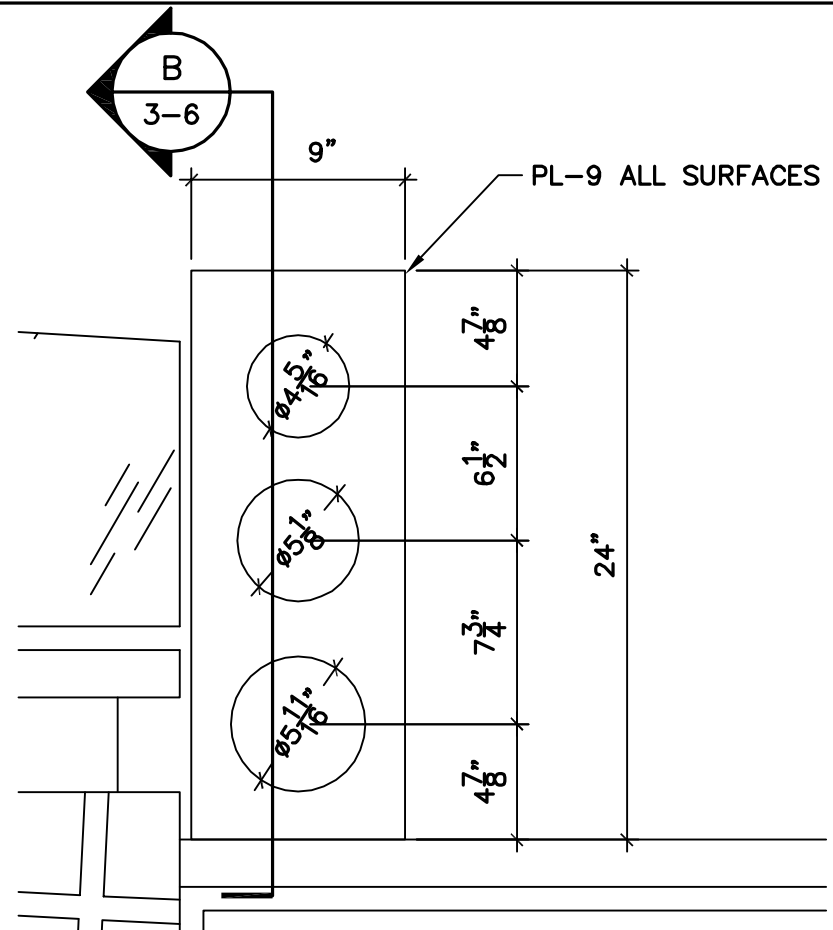
Job Name:

Contractor:

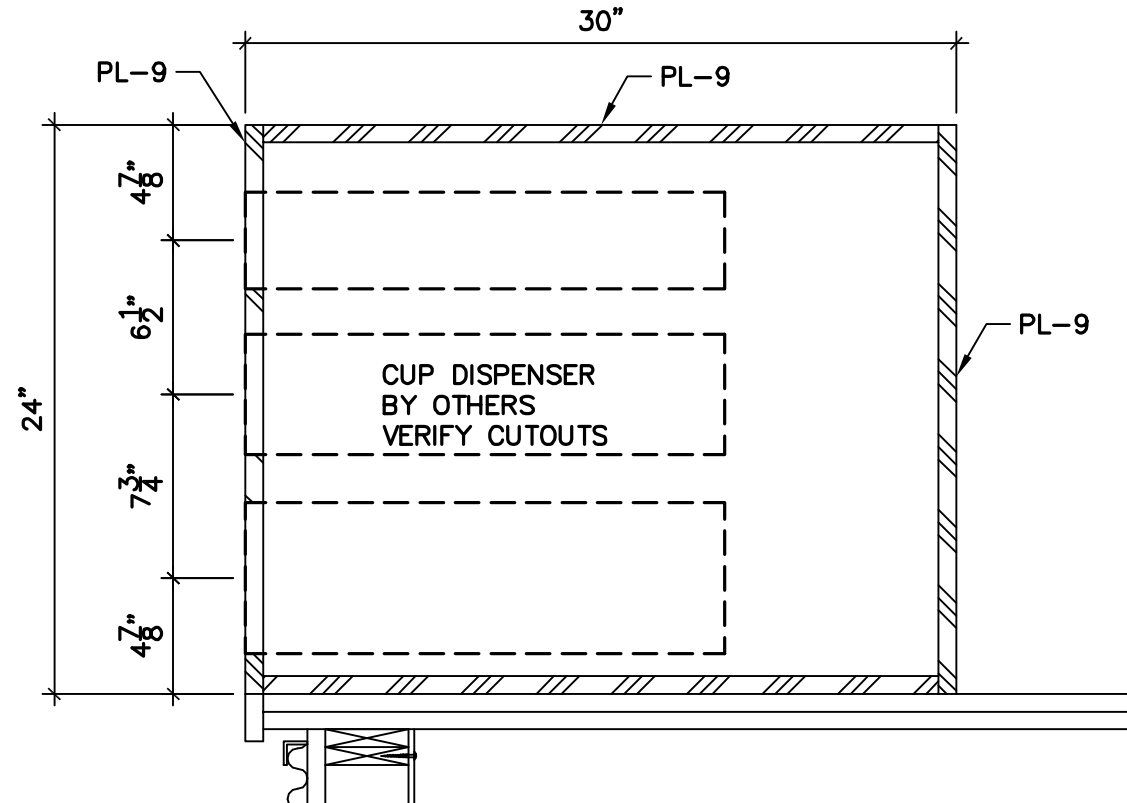
Architect:

Location:

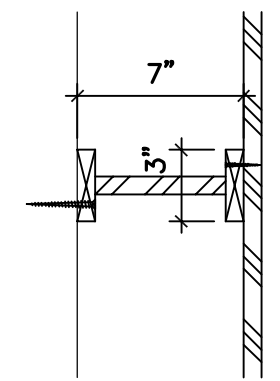
REVISIONS	BY
JOB#	
DRAWN BY:	DATE
TM	04/25/05



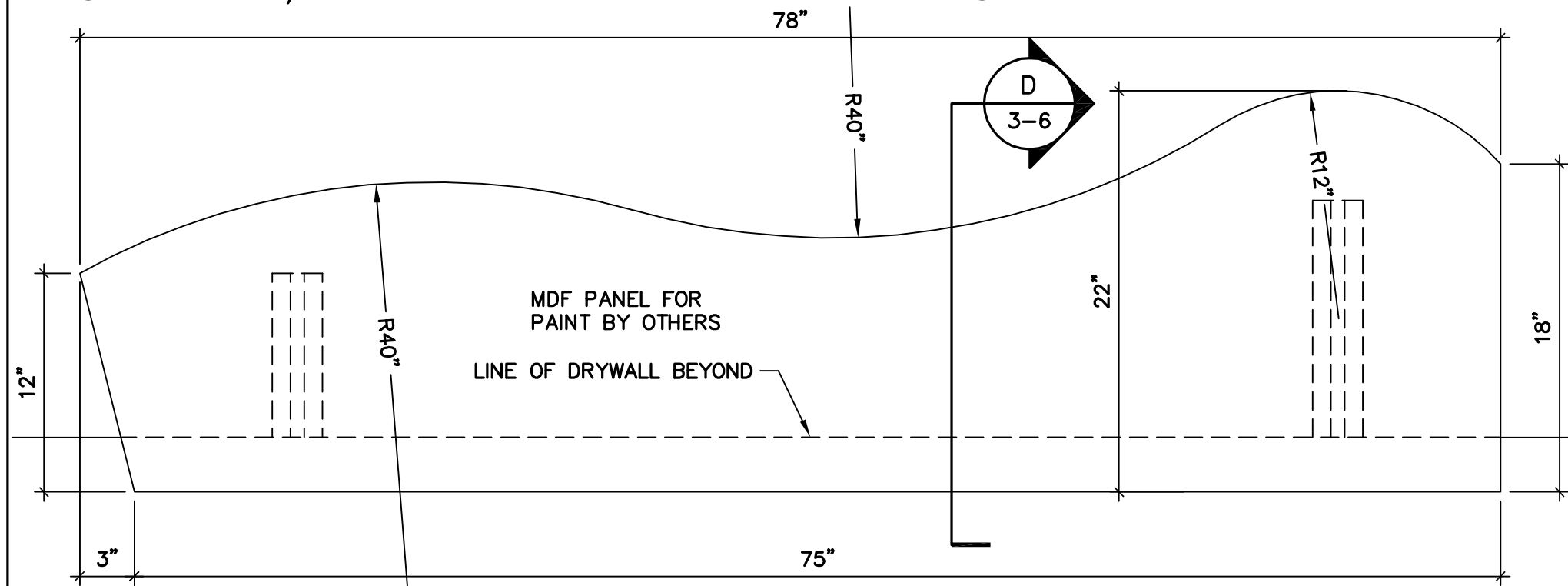
**A** ELEVATION OF CUP DISPENSER  
 3-6 SCALE: 1-1/2" = 1'- 0"  
 ARCH. REF: C/5



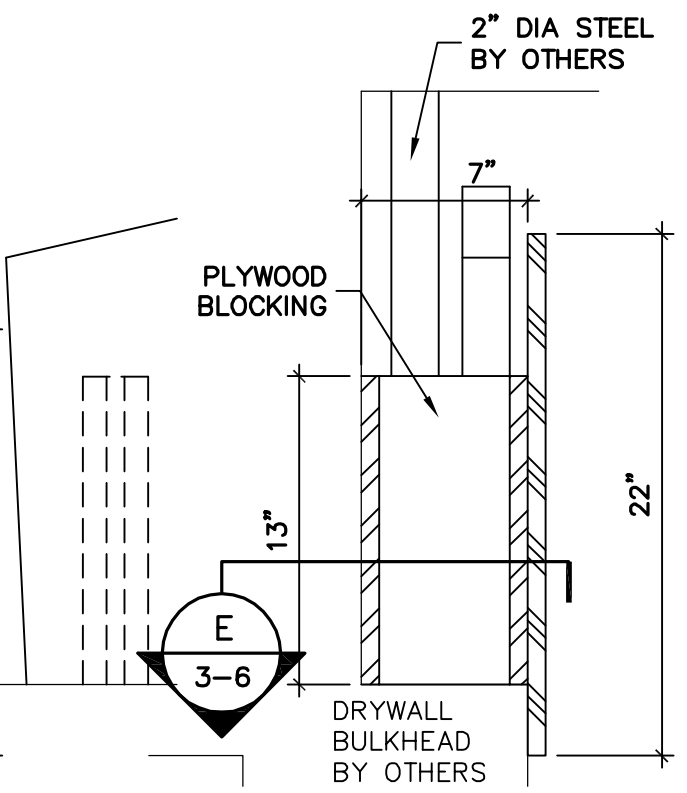
**B** VERTICAL SECTION  
 3-6 SCALE: 1-1/2" = 1'- 0"  
 ARCH. REF:



**E** BLOCKING DETAIL  
 3-6 SCALE: 1-1/2" = 1'- 0"  
 ARCH. REF:



**C** ELEVATION OF SIGN BOARD  
 3-6 SCALE: 1-1/2" = 1'- 0"  
 ARCH. REF: C/5



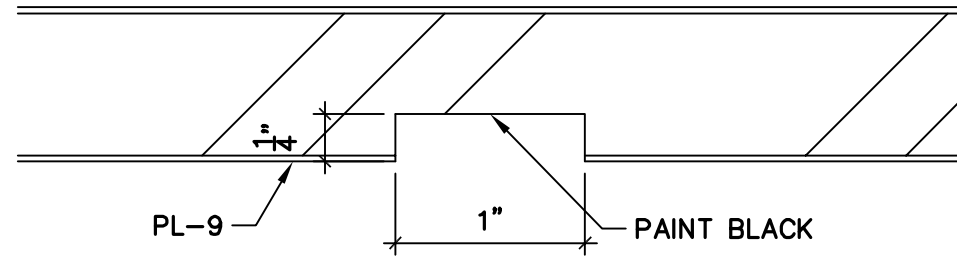
**D** VERTICAL SECTION  
 3-6 SCALE: 1-1/2" = 1'- 0"  
 ARCH. REF:

Job Name:

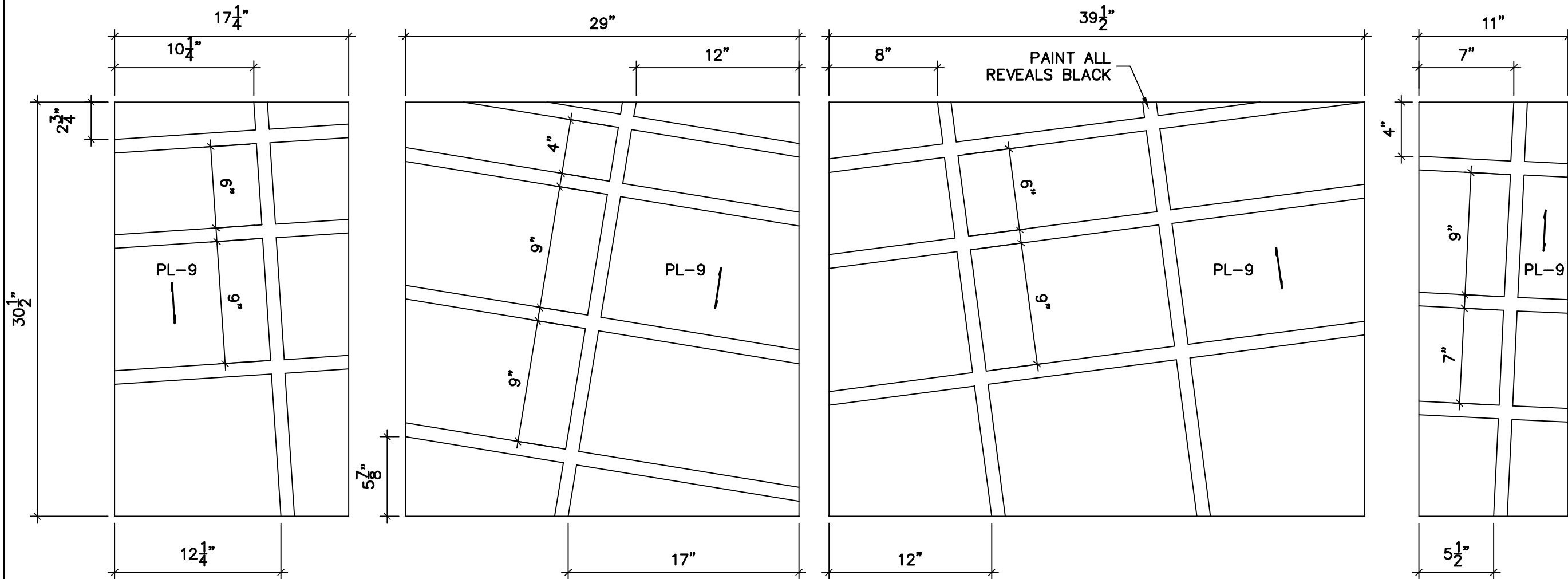
Contractor:

Architect:

Location:



**B** TYPICAL REVEAL DETAIL  
 3-7 SCALE: FULL  
 ARCH. REF:



**A** FRONT PANEL DETAILS  
 3-7 SCALE: 1-1/2" = 1'-0"  
 ARCH. REF: C/5

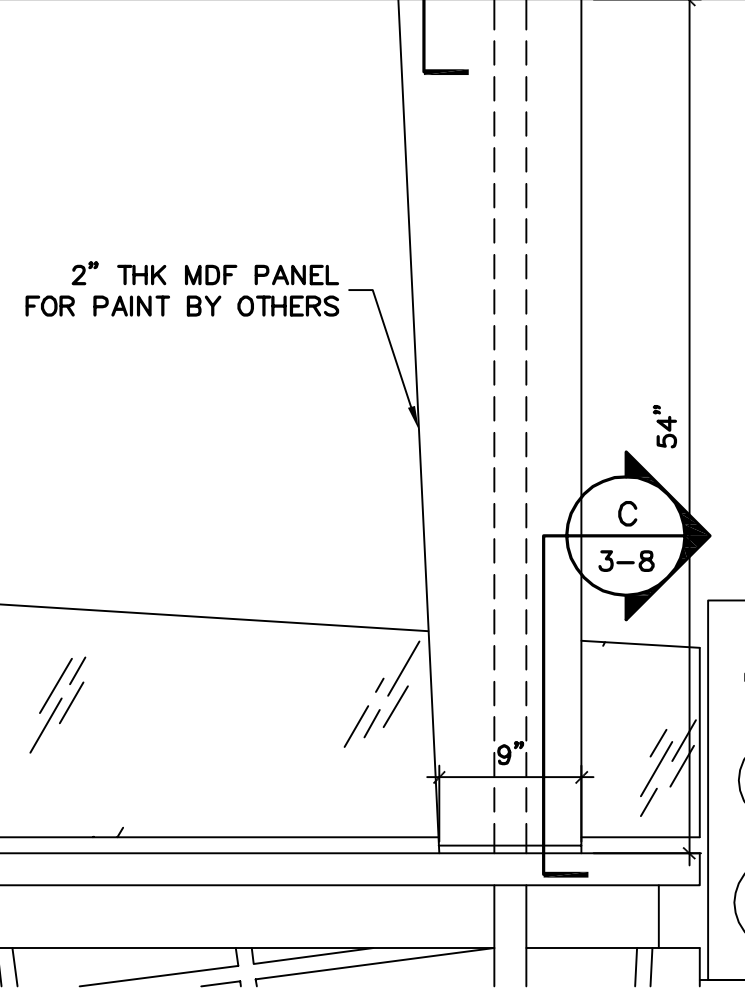
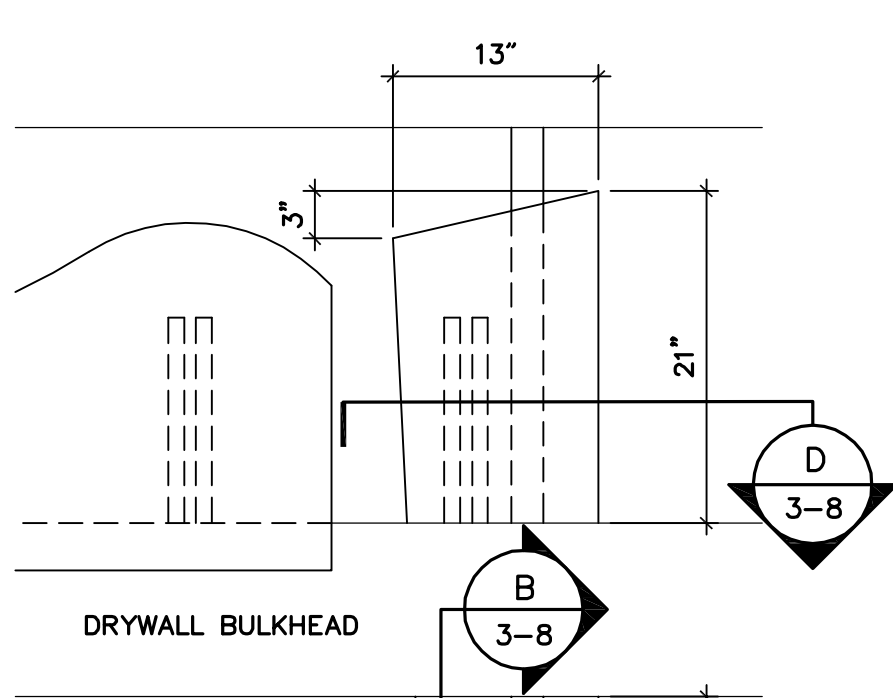
REVISIONS	BY
JOB#	
DRAWN BY:	DATE
TM	04/26/05

Job Name:

Contractor:

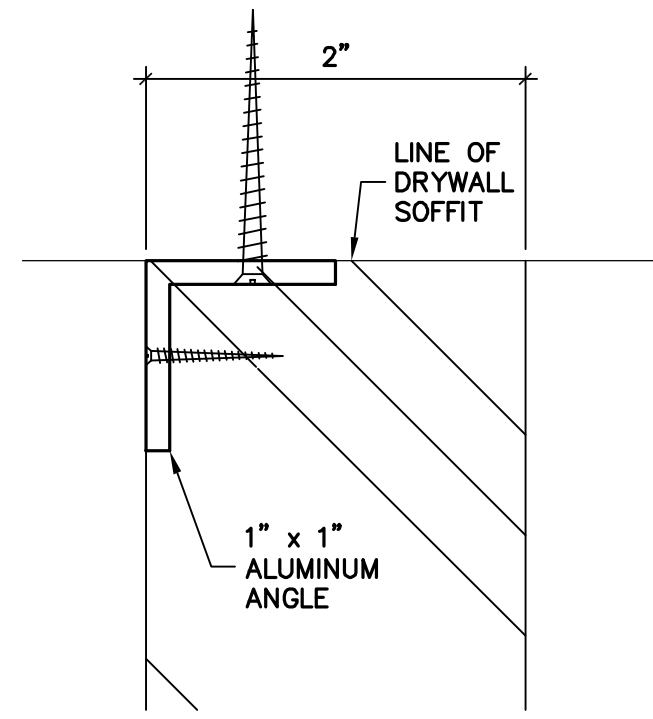
Architect:

Location:



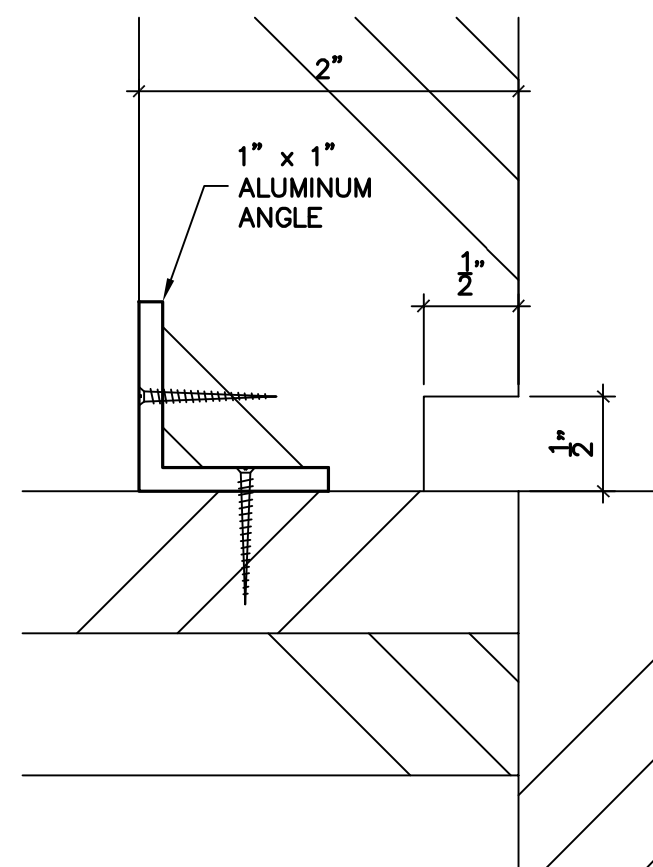
**A**  
3-8  
SCALE: 1" = 1'- 0"  
ARCH. REF:

**DETAIL OF VERTICAL PANEL**



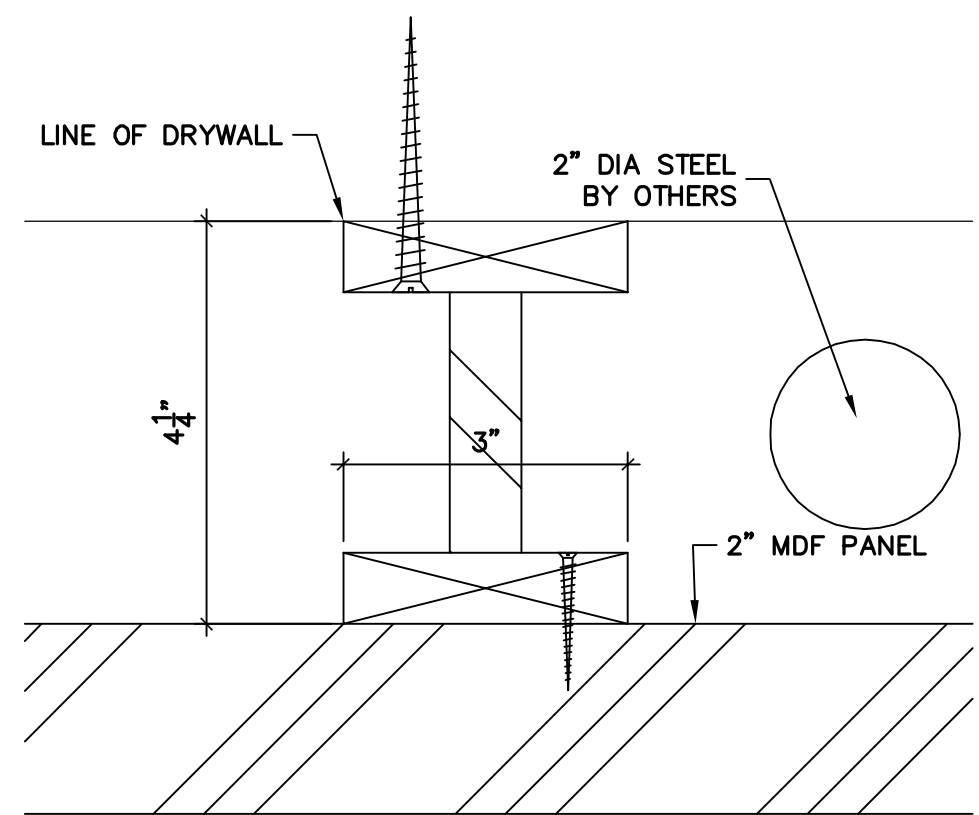
**B**  
3-8  
SCALE: FULL  
ARCH. REF:

**DETAIL AT BULKHEAD**



**C**  
3-8  
SCALE: FULL  
ARCH. REF:

**DETAIL AT COUNTER TOP**



**D**  
3-8  
SCALE: 6" = 1'- 0"  
ARCH. REF:

**HORIZONTAL SECTION**

REVISIONS	BY
JOB#	
DRAWN BY:	DATE
TM	04/26/05

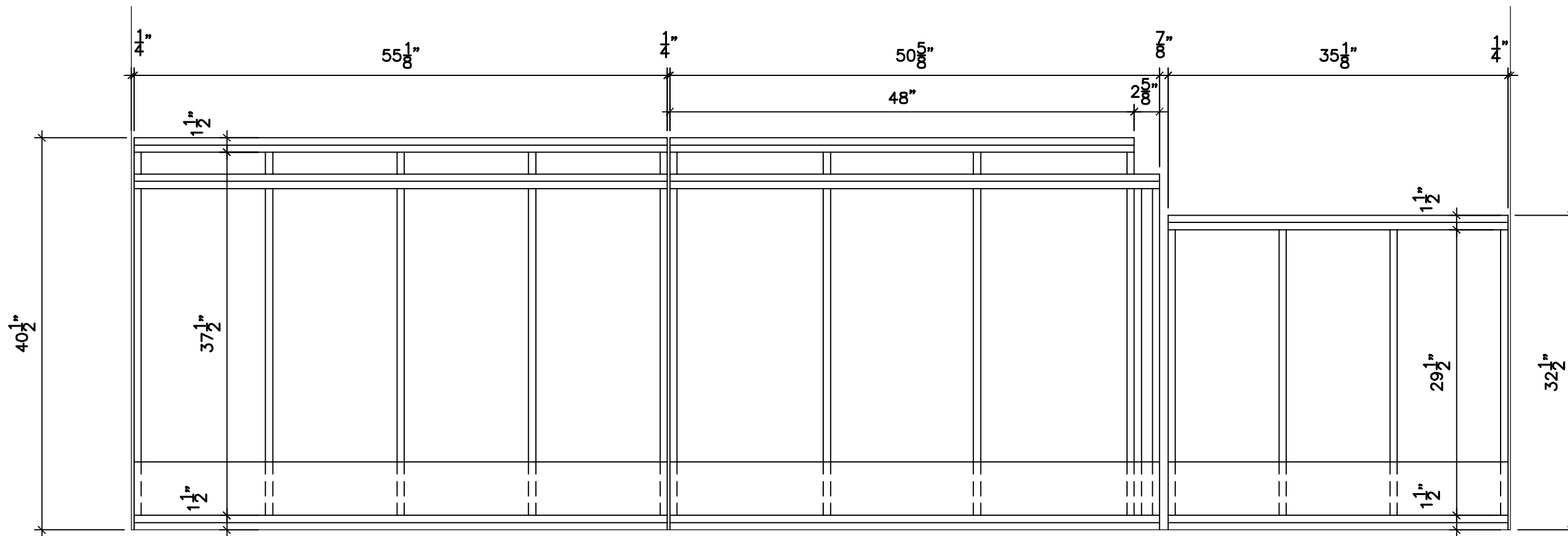
Job Name:

Contractor:

Architect:

Location:





A
3-9
**DIEWALL FRAMING DETAILS**  
 SCALE: 1" = 1'- 0"  
 ARCH. REF:

REVISIONS	BY
JOB#	
DRAWN BY:	DATE
TM	04/26/05

Job Name:

Contractor:

Architect:

Location: