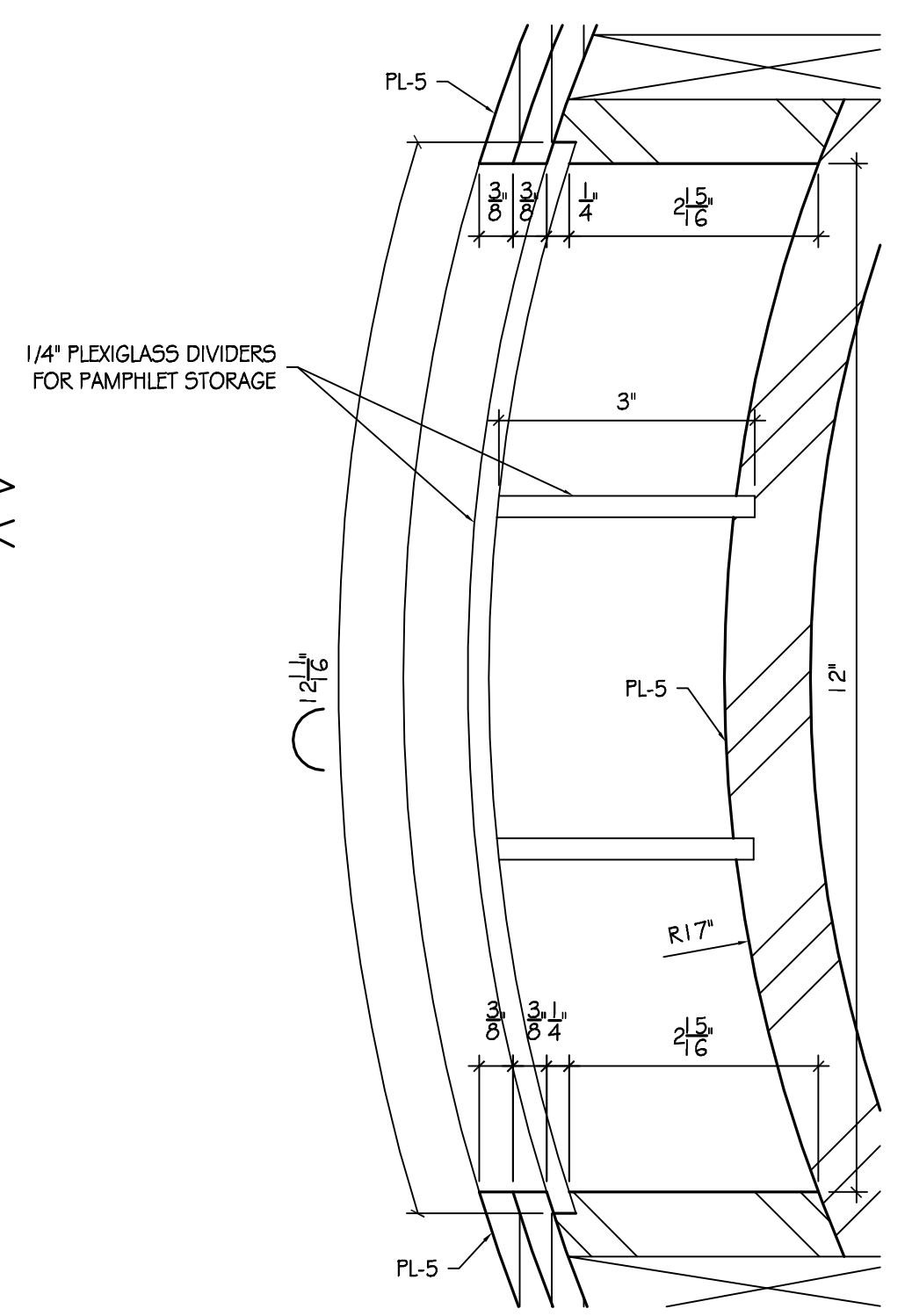
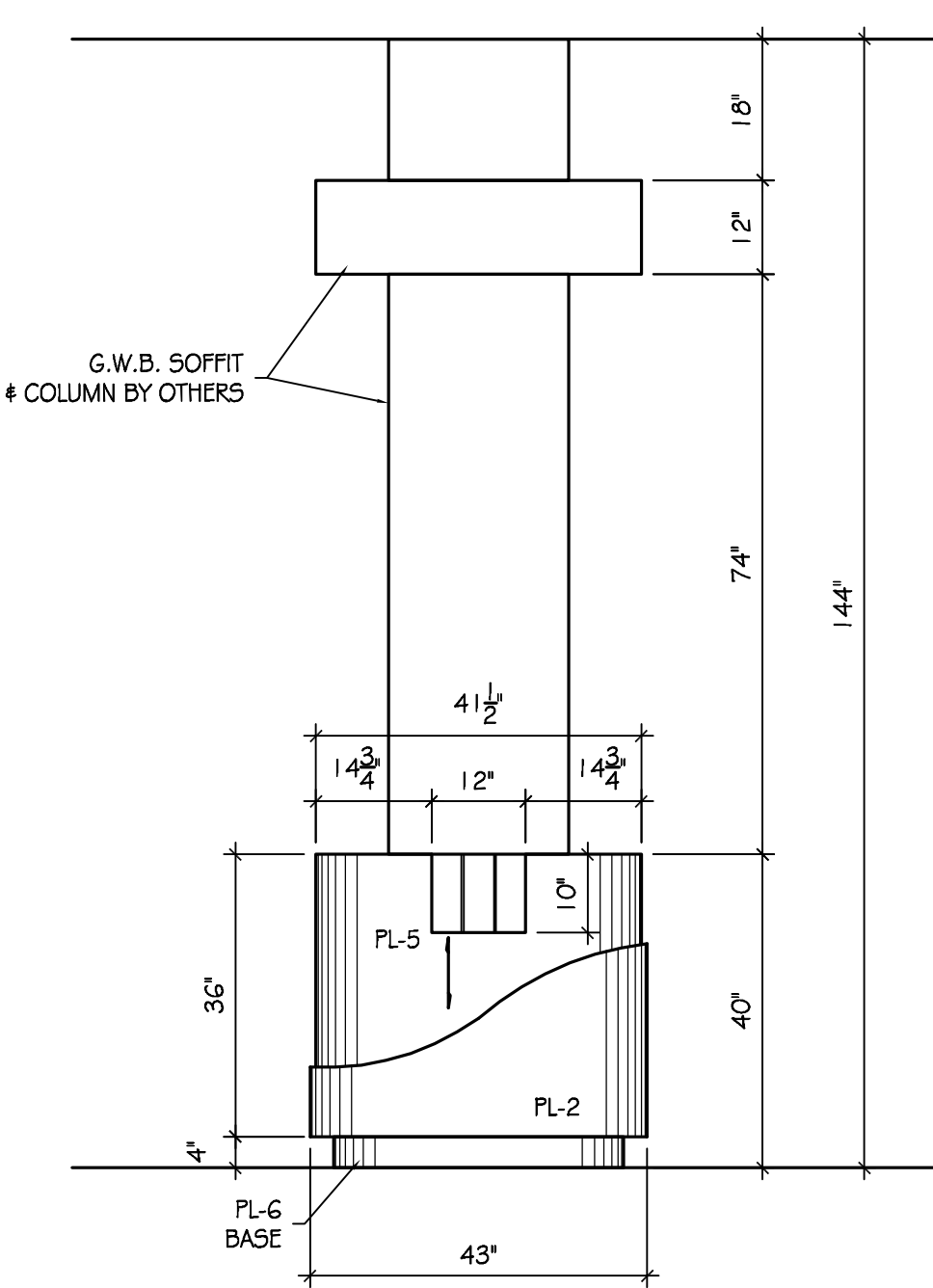


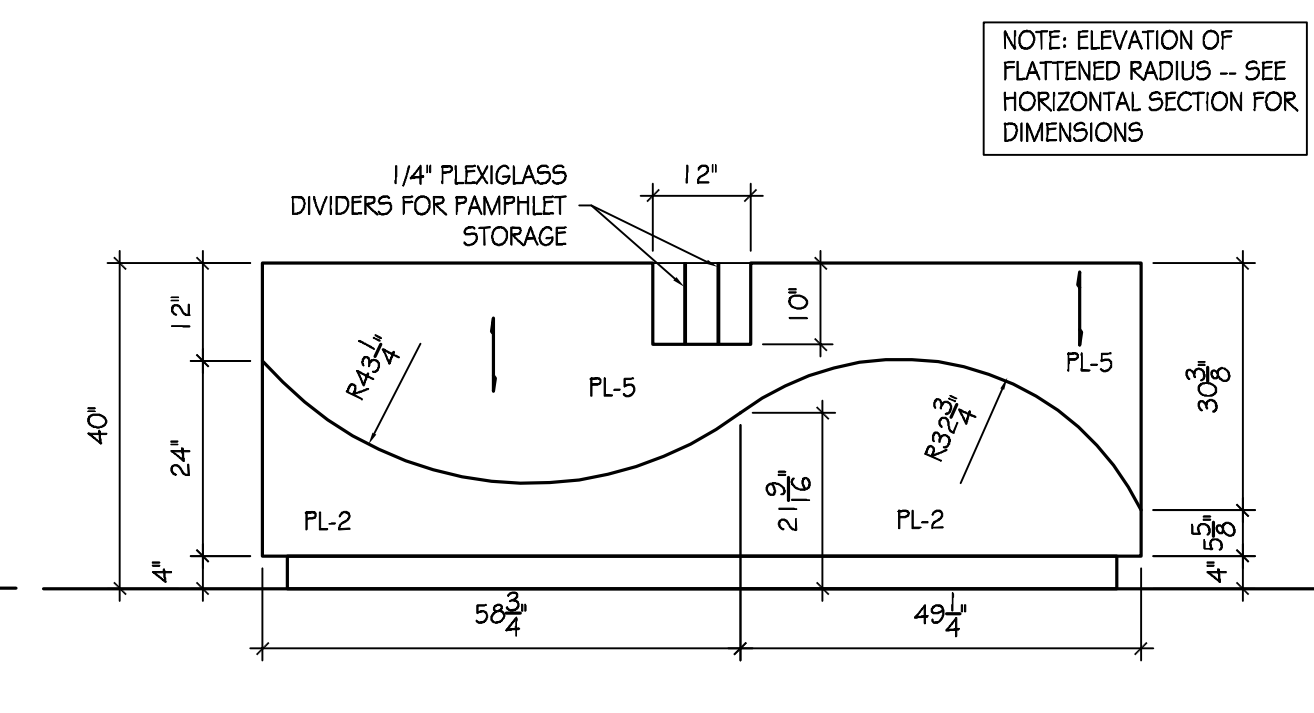
8 **DETAIL @ ELECTRICAL ACCESS**
 3-0 SCALE: 6" = 1' 0"
 ARCH. REF: NONE



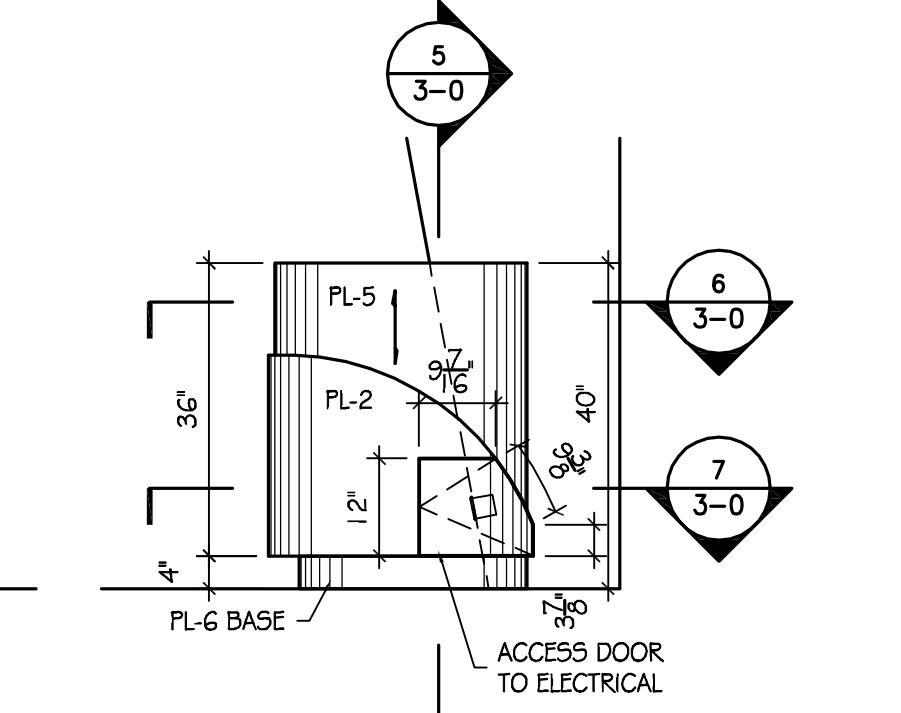
9 **DETAIL @ PAMPHLET HOLDERS**
 3-0 SCALE: 6" = 1' 0"
 ARCH. REF: NONE



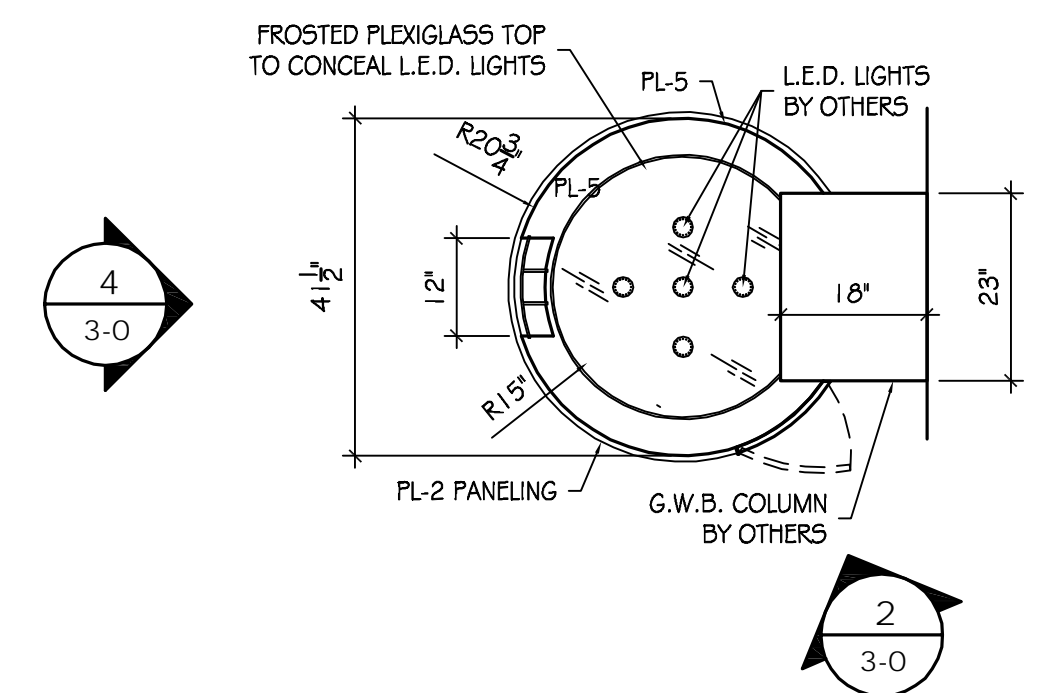
4 **ELEVATION: PAMPHLET DISPLAY**
 4-0 SCALE: 1/2" = 1' 0"
 ARCH. REF: 6/F-7.1



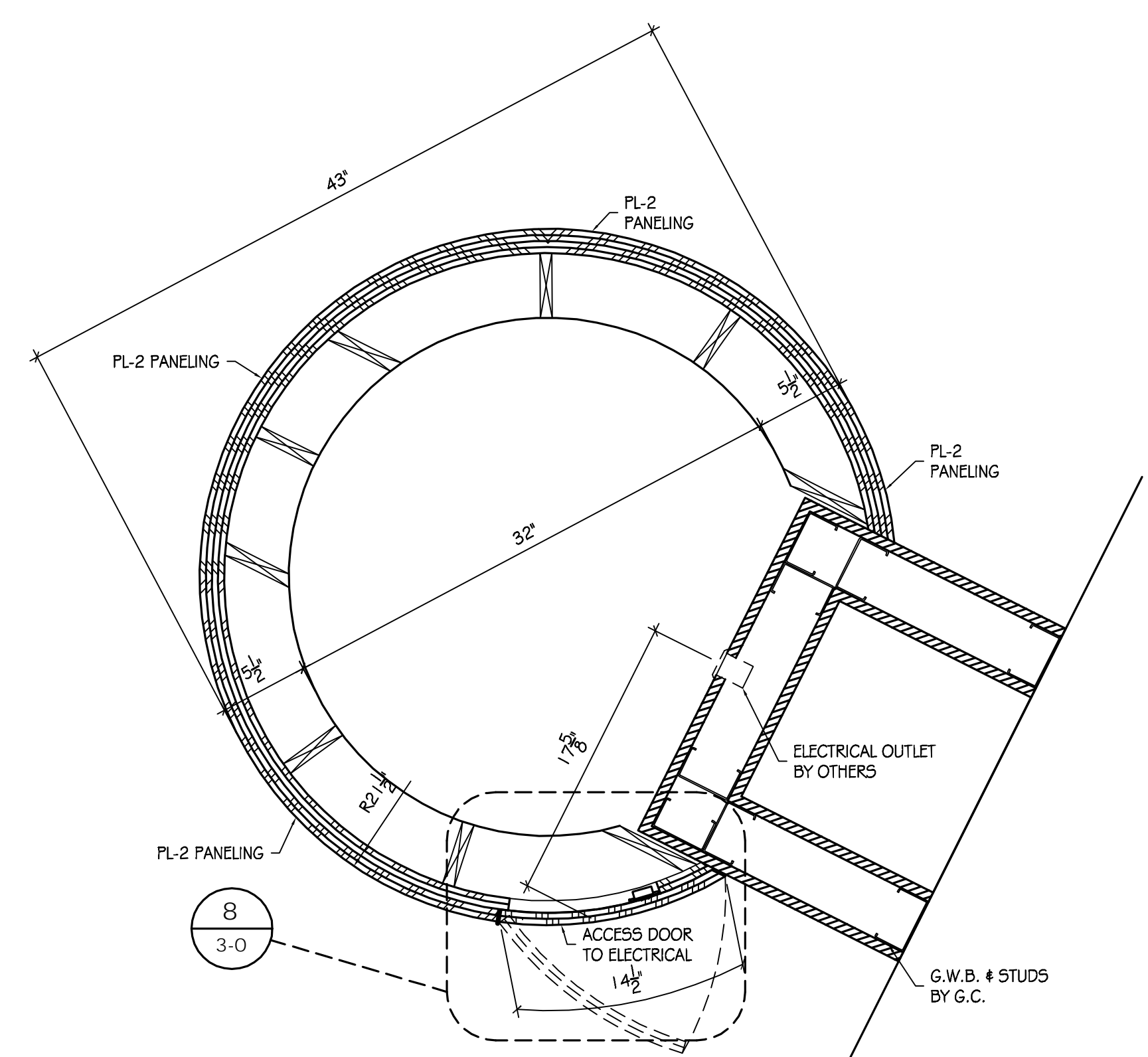
3 **ELEVATION: PAMPHLET DISPLAY**
 3-0 SCALE: 1/2" = 1' 0"
 ARCH. REF: 7/F-7.1



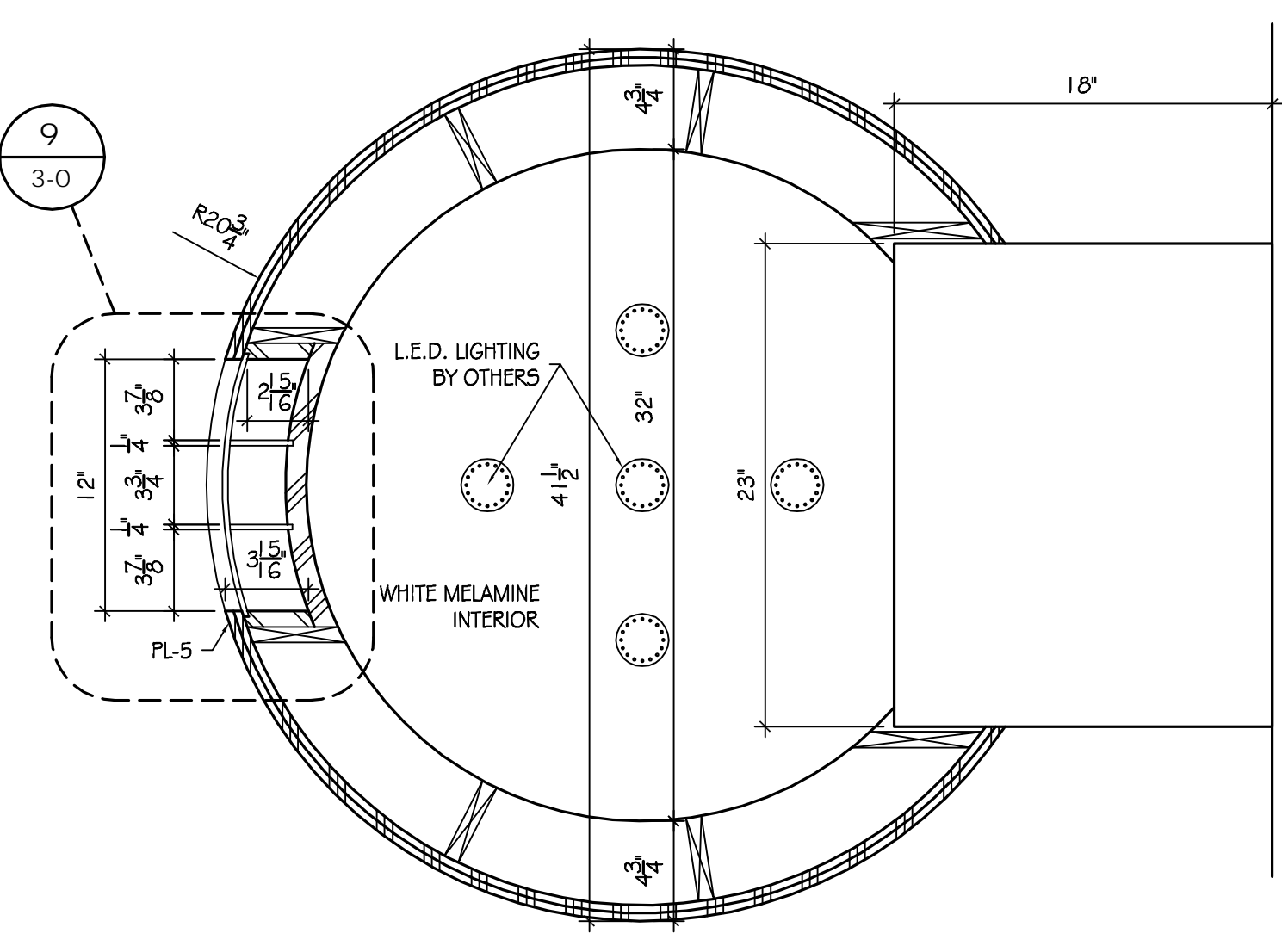
2 **ELEVATION: PAMPHLET DISPLAY**
 3-0 SCALE: 1/2" = 1' 0"
 ARCH. REF: 11/F-7.3



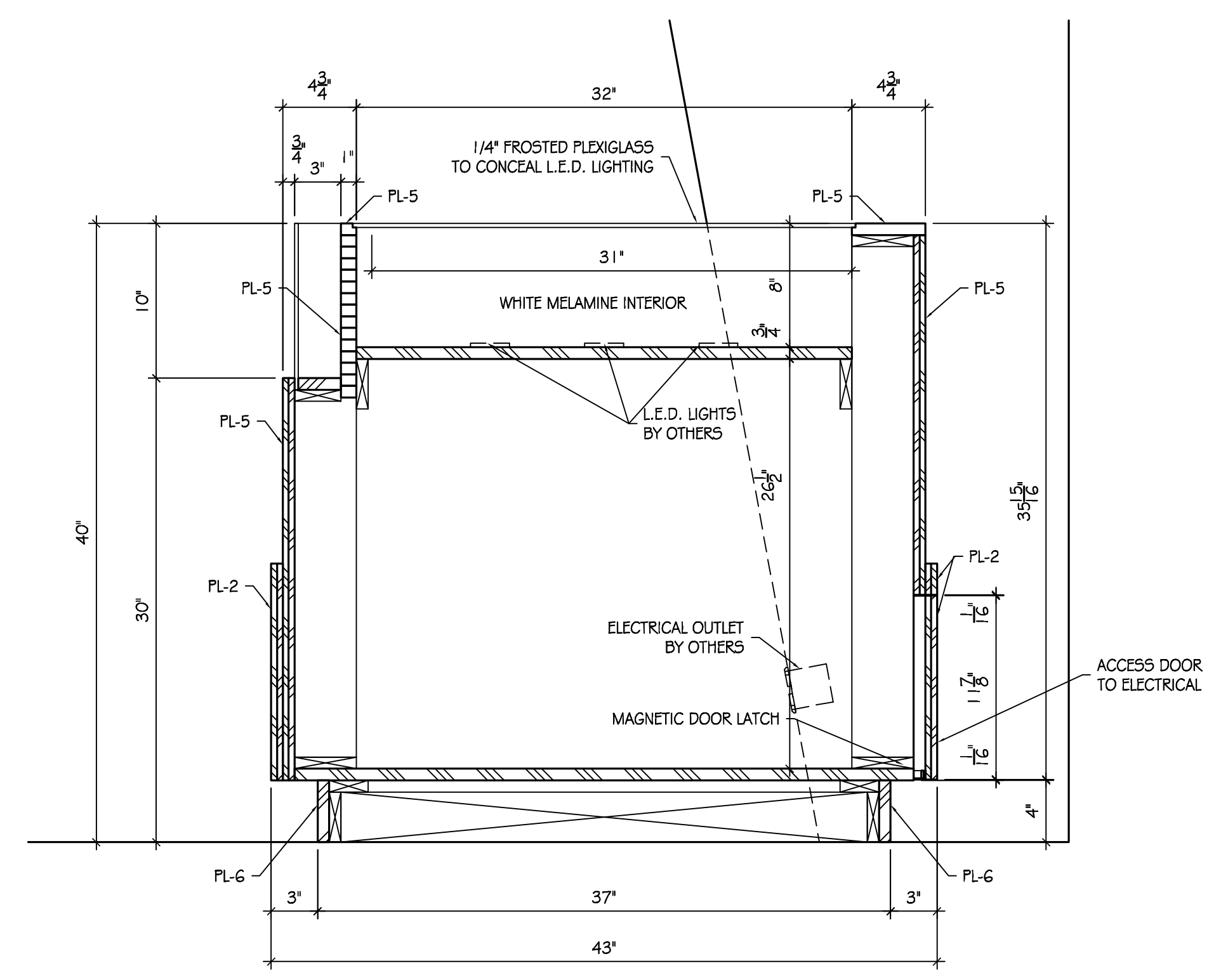
1 **PLAN: PAMPHLET DISPLAY**
 3-0 SCALE: 1/2" = 1' 0"
 ARCH. REF: 2/F-7.1



7 **HORIZONTAL SECTION**
 3-0 SCALE: 1-1/2" = 1' 0"
 ARCH. REF: NONE



6 **HORIZONTAL SECTION**
 3-0 SCALE: 1-1/2" = 1' 0"
 ARCH. REF: 10/F-7.2



5 **VERTICAL SECTION**
 3-0 SCALE: 1-1/2" = 1' 0"
 ARCH. REF: 4/F-7.3

NOTE: ELEVATION OF FLATTENED RADIUS - SEE HORIZONTAL SECTION FOR DIMENSIONS

ARCHITECT:
 GENERAL CONTRACTOR:
 DESIGNER:
 NOTES:

- PL-2: ABET LAMINATI 1804SEI "BLU TENEBRE"
- PL-3: WILSONART 4623-60 "GRAPHITE NEBULA"
- PL-5: WILSONART 7919-78 "AMBER CHERRY"

REVISIONS:

SHEET TITLE:
PAMPHLET DISPLAY
LOBBY 100

DRAWN BY: MM | DATE: 01/28/09
 JOB: | SHEET NO.