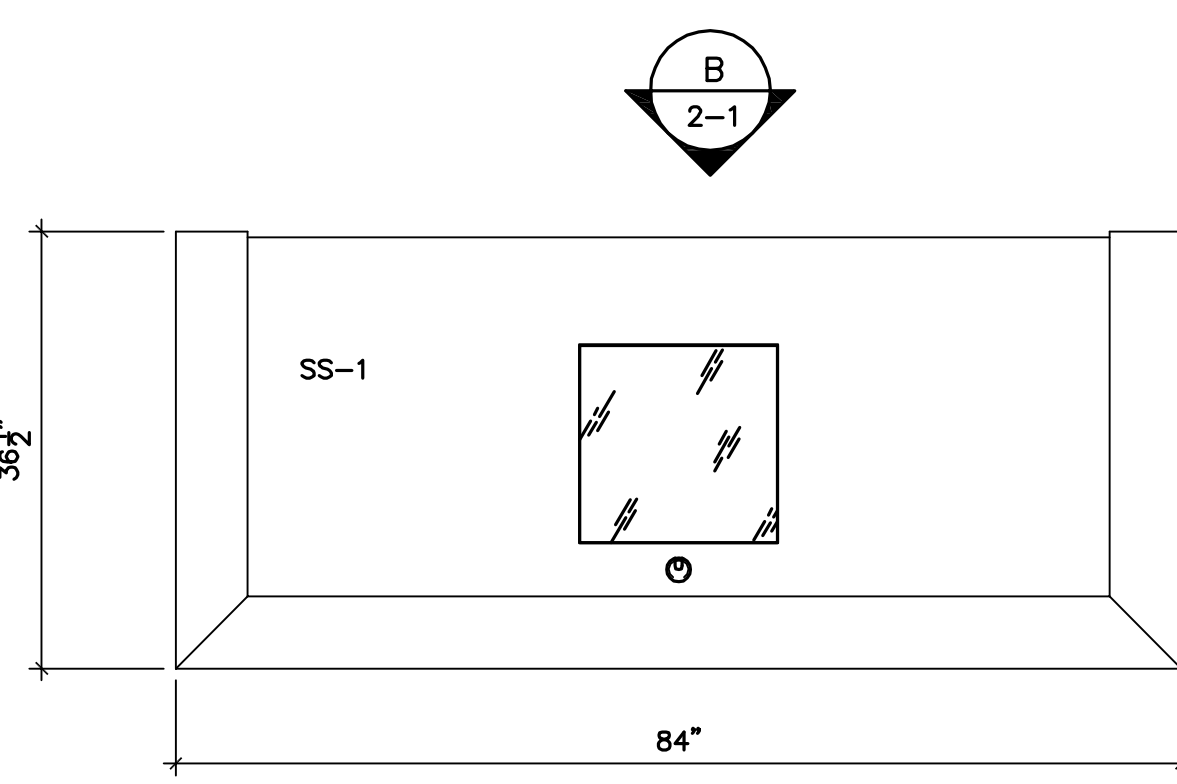
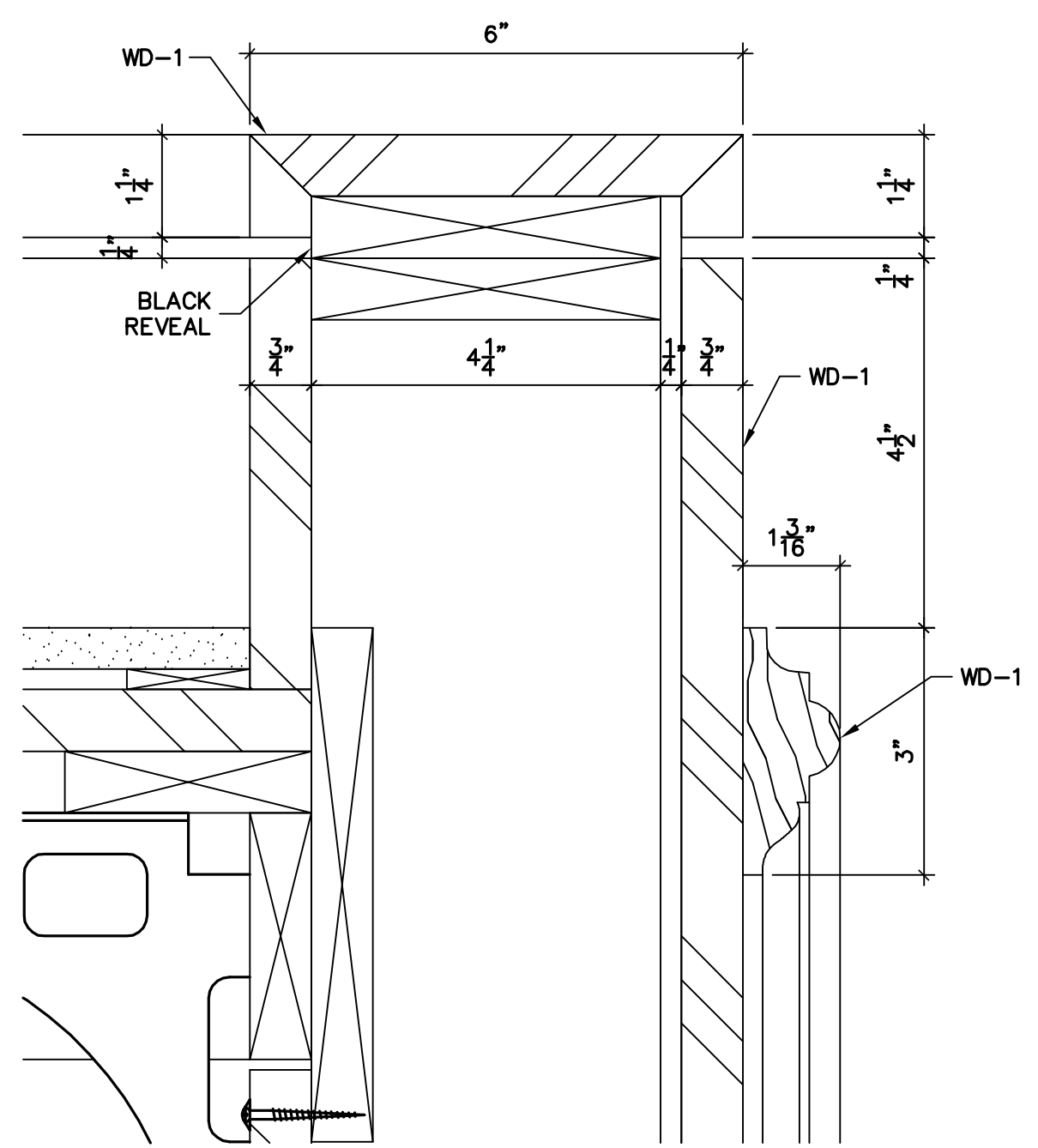


FINISHES:	
WD-1:	MAPLE PLYWOOD OR MAPLE SOLID STAINED AND FINISHED TO MATCH APPROVED SAMPLE
SS-1:	SOLID SURFACE - PLEASE SPECIFY
CABINET HARDWARE:	

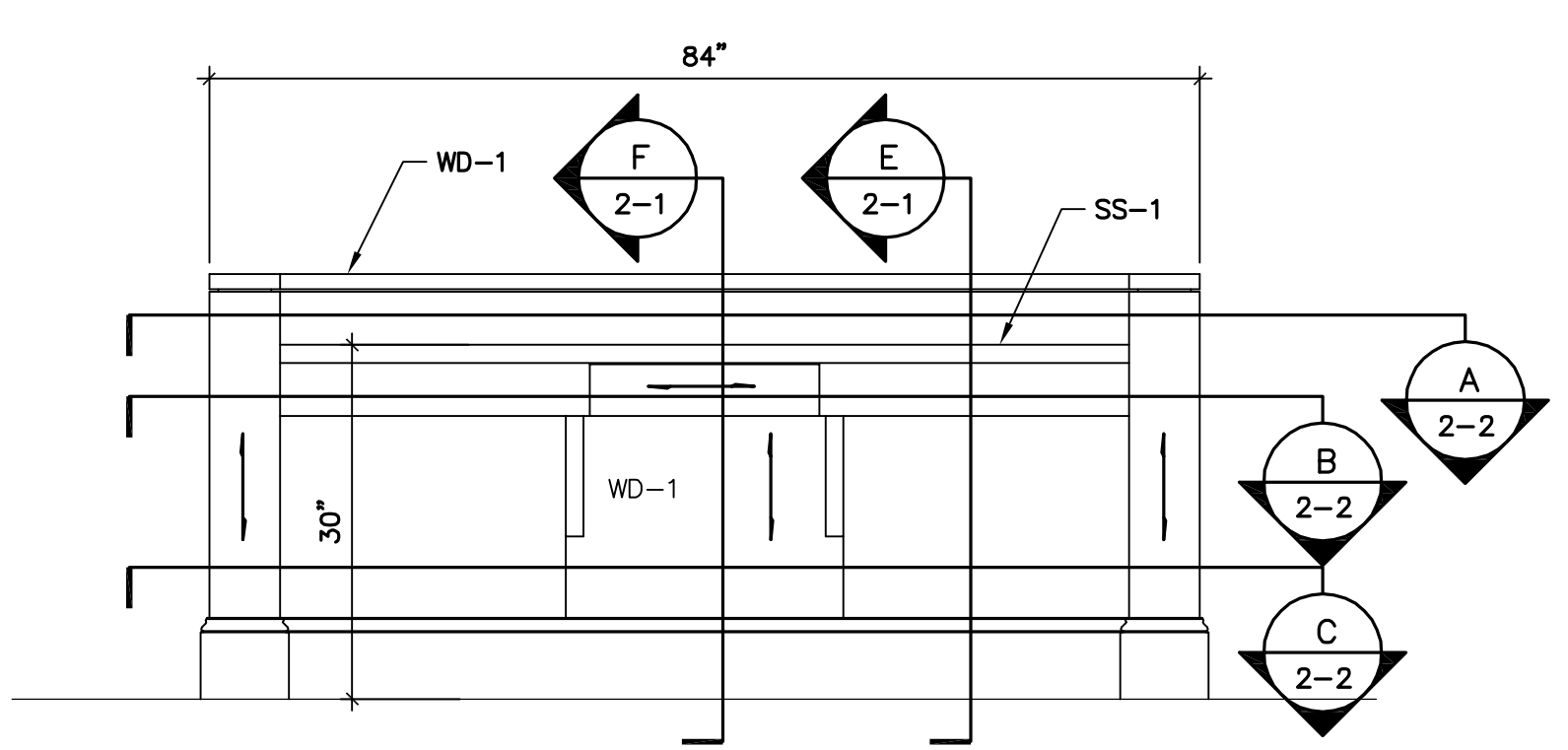
NOTE:
TWO (2) UNITS
REQUIRED AS SHOWN



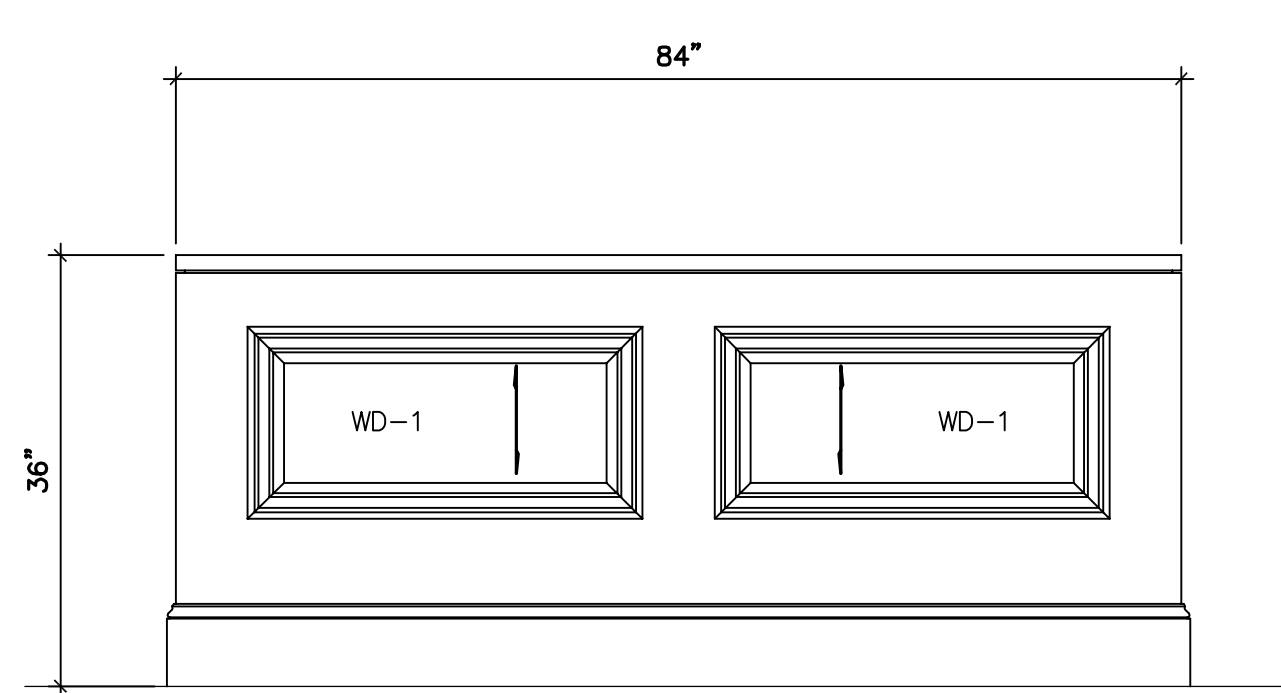
A PLAN MANAGER/ADMIN DESK
SCALE: 3/4" = 1'-0"
ARCH. REF: A-11



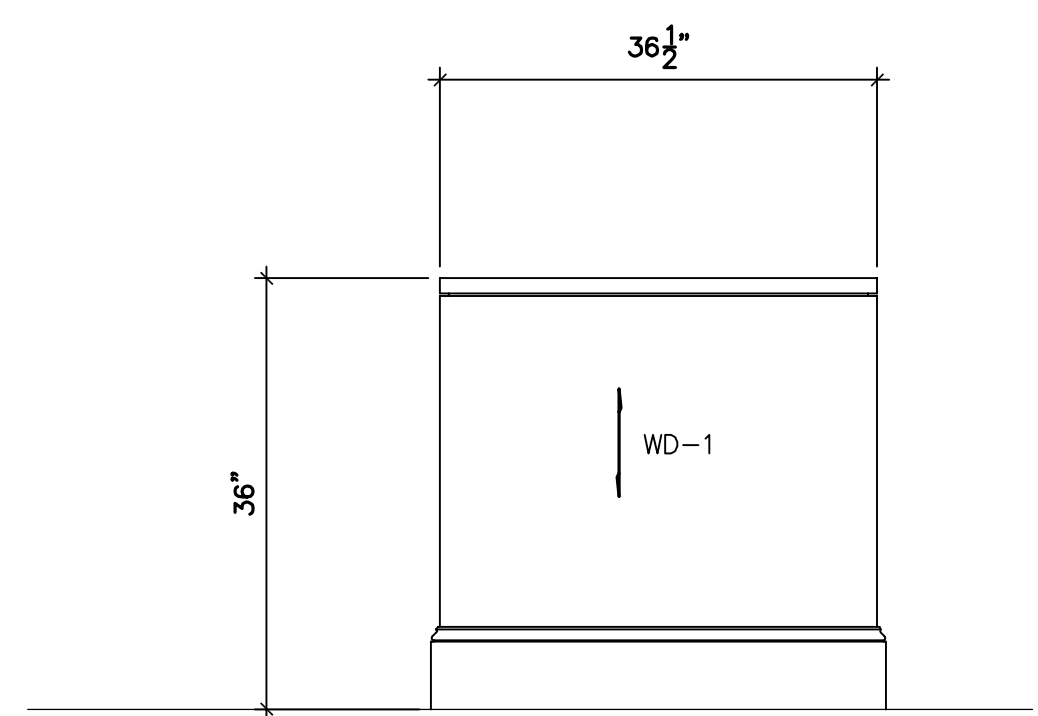
G DETAIL
SCALE: 6" = 1'-0"
ARCH. REF: NONE



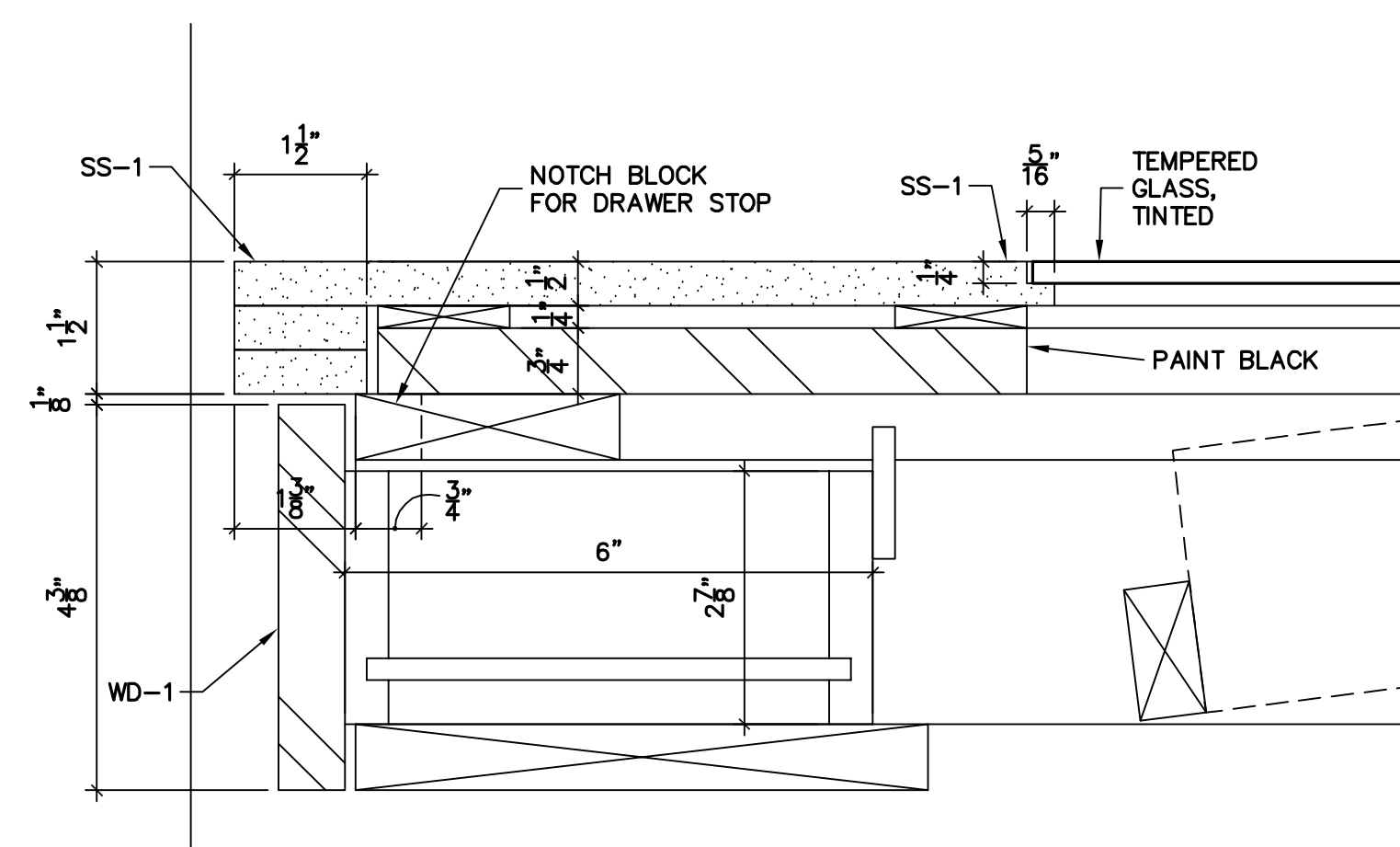
B ELEVATION
SCALE: 3/4" = 1'-0"
ARCH. REF: J/A-8



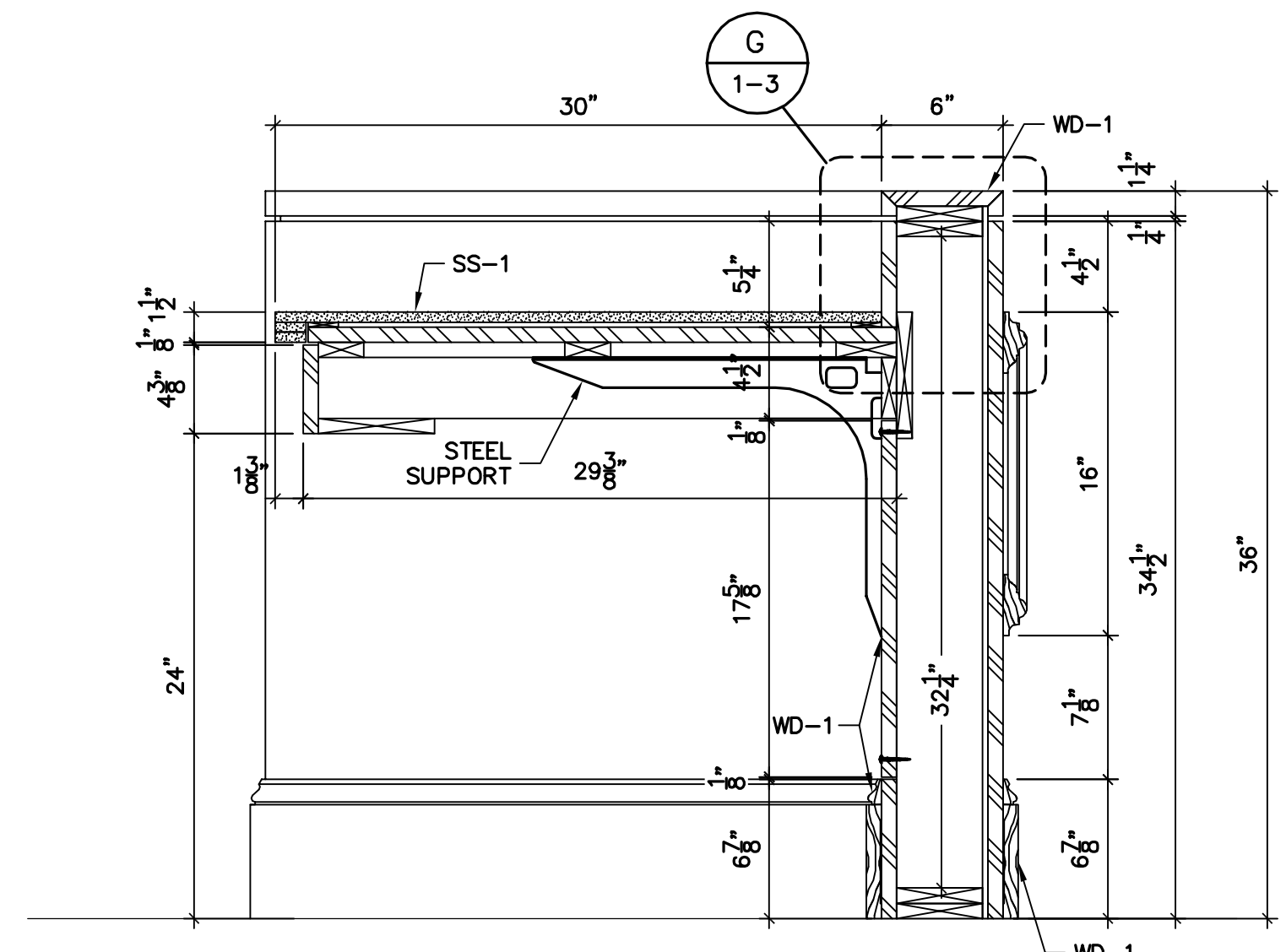
C ELEVATION
SCALE: 3/4" = 1'-0"
ARCH. REF: NONE



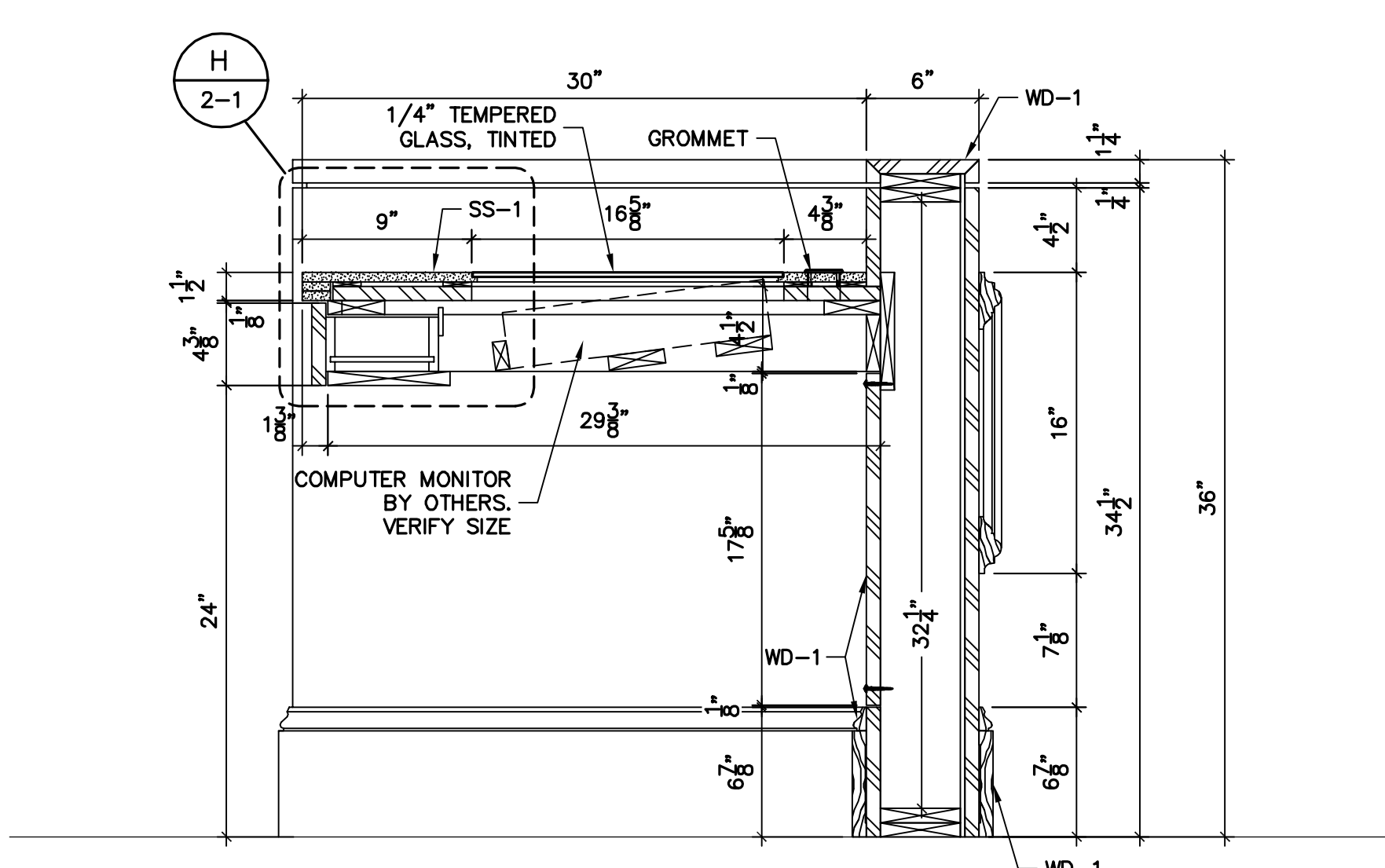
D ELEVATION
SCALE: 3/4" = 1'-0"
ARCH. REF: H/A-8



H DETAIL
SCALE: 6" = 1'-0"
ARCH. REF: NONE



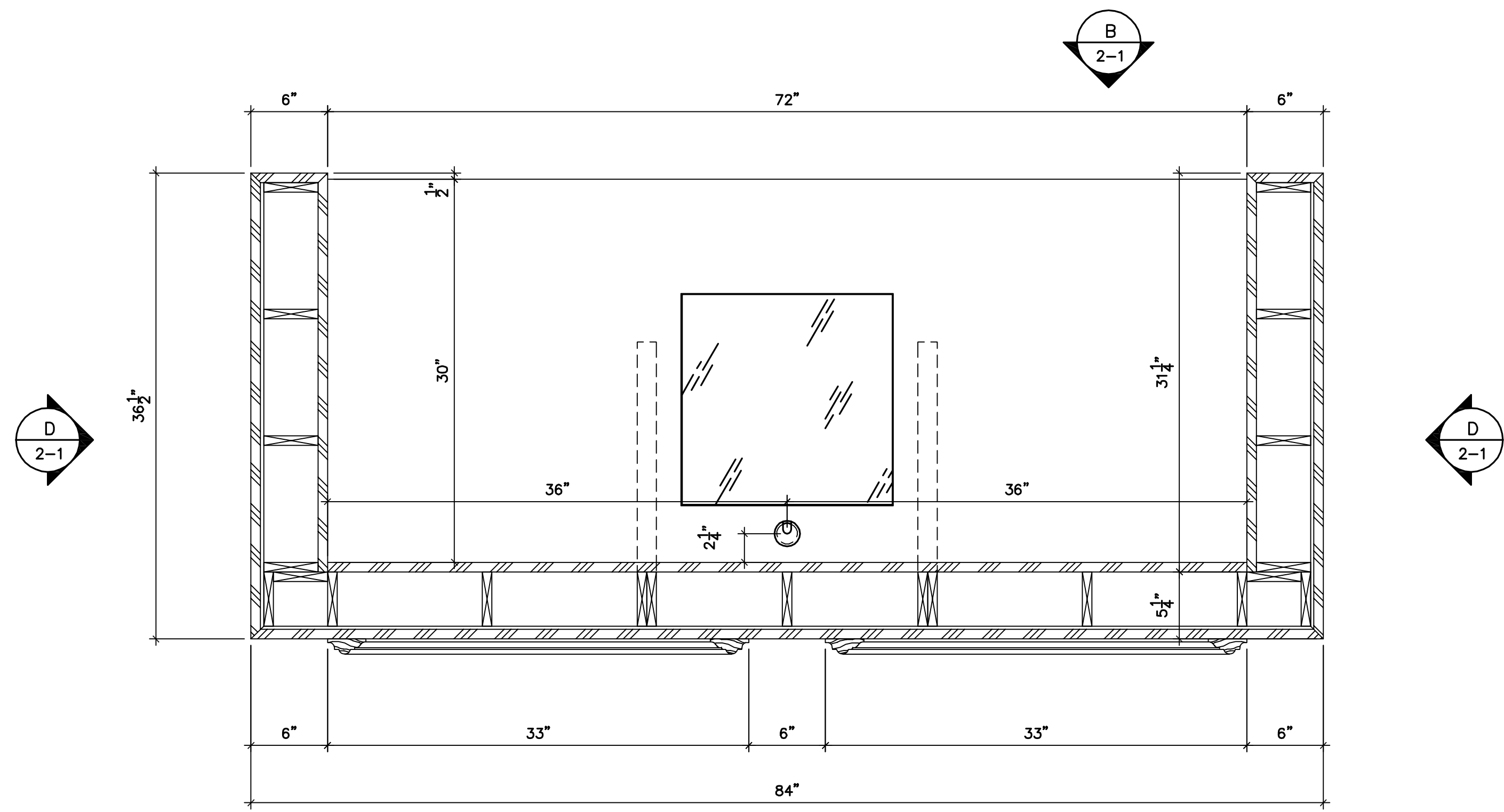
E VERTICAL SECTION
SCALE: 1-1/2" = 1'-0"
ARCH. REF: A-8



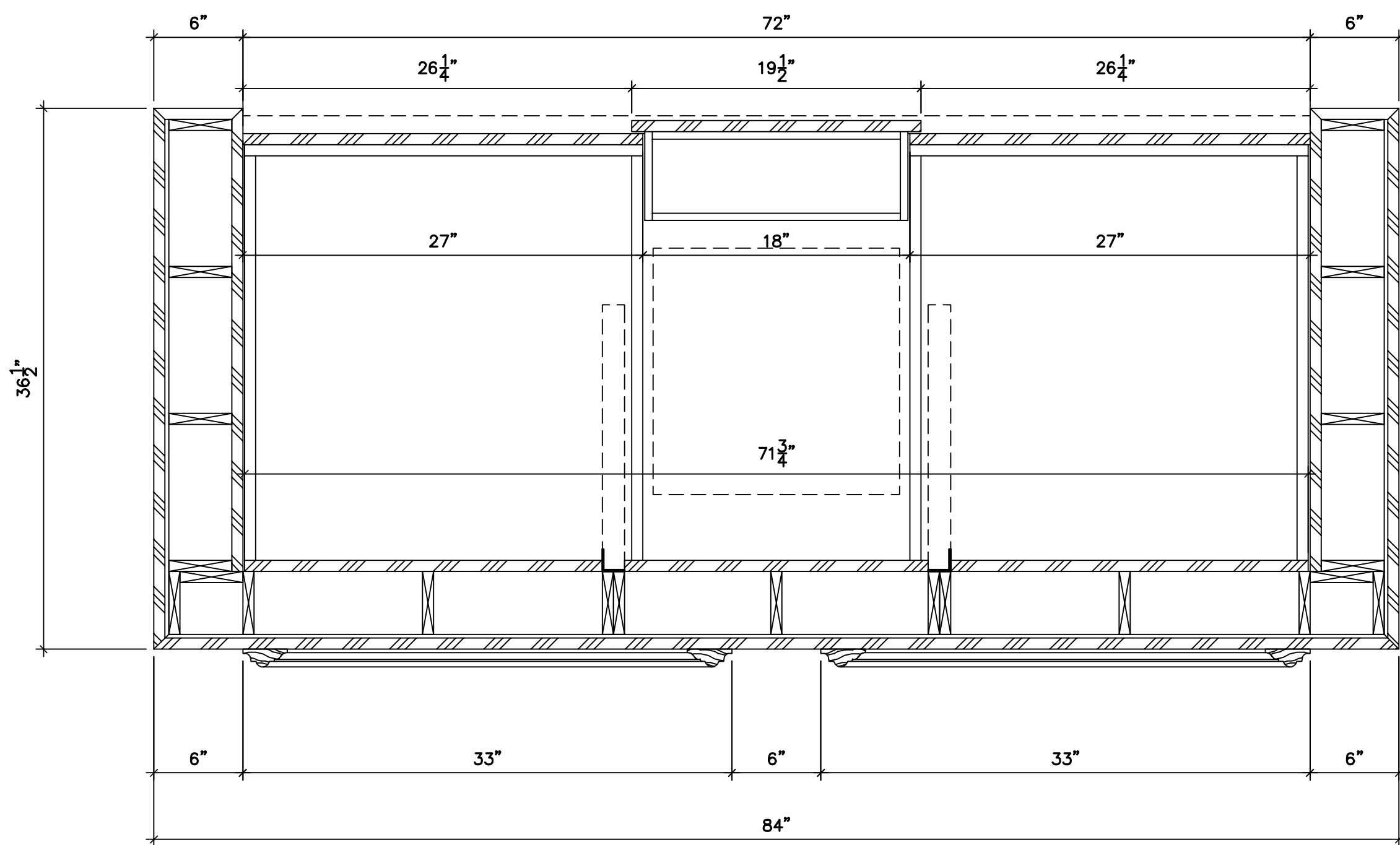
F VERTICAL SECTION
SCALE: 1-1/2" = 1'-0"
ARCH. REF: A-8

REVISIONS	BY
JOB#	
DRAWN BY:	DATE
TM	05/30/07

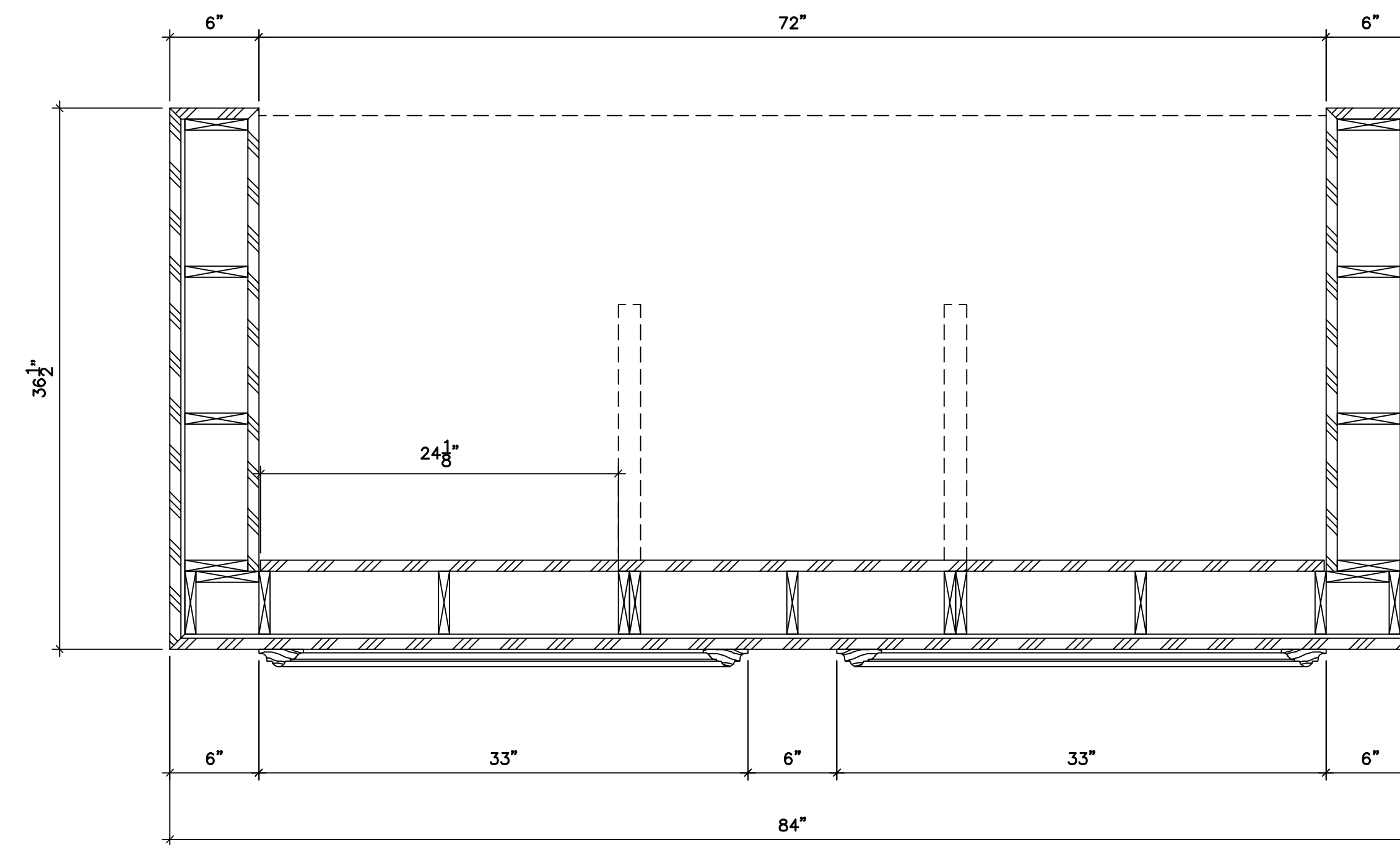
Job Name:



A HORIZONTAL SECTION
 2-2 SCALE: 1" = 1'-0"
 ARCH. REF: NONE



B HORIZONTAL SECTION
 2-2 SCALE: 1" = 1'-0"
 ARCH. REF: NONE



C HORIZONTAL SECTION
 2-2 SCALE: 1" = 1'-0"
 ARCH. REF: NONE

REVISIONS	BY
JOB#	
DRAWN BY:	DATE
TM	05/30/07

Job Name: