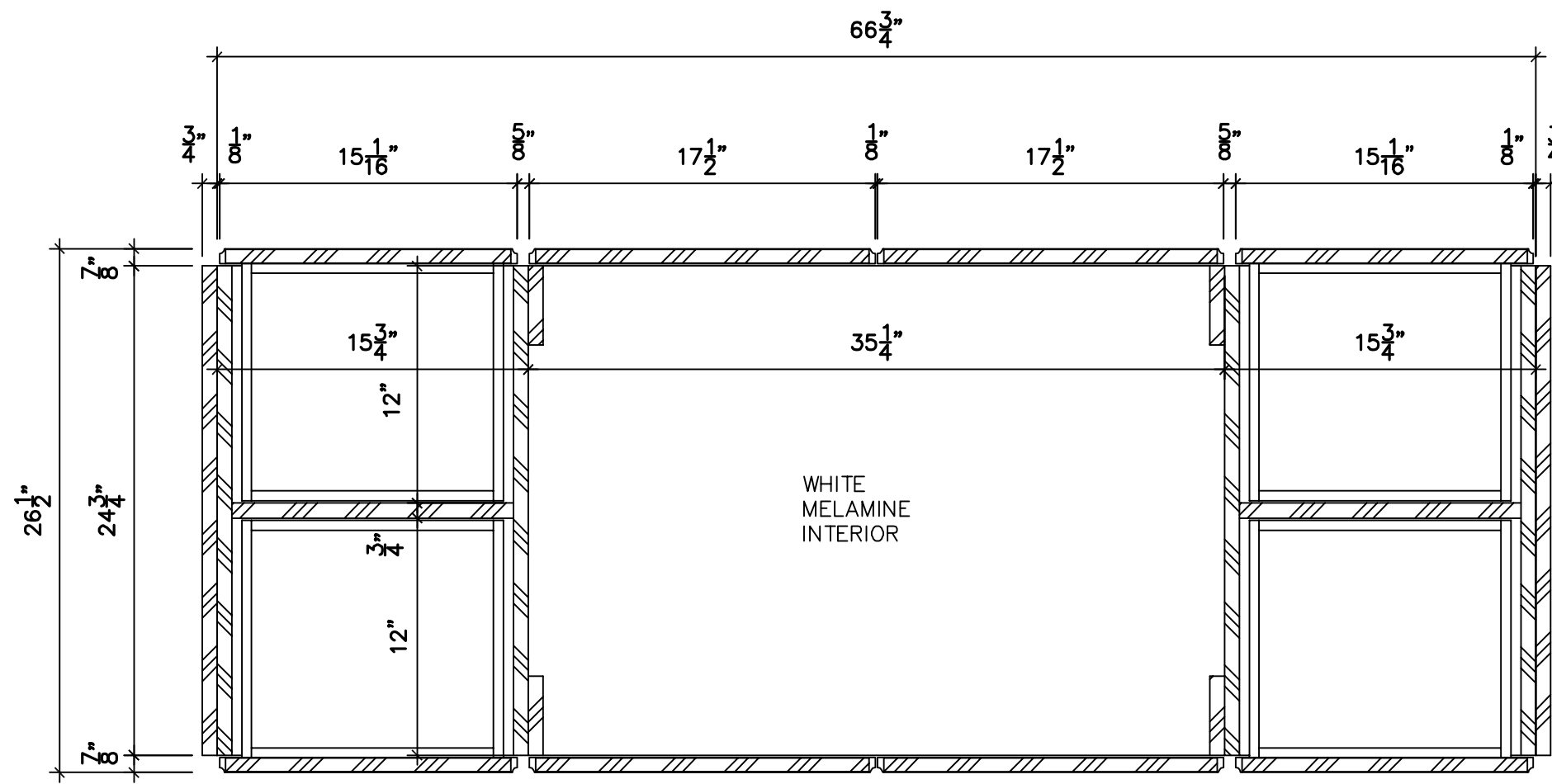
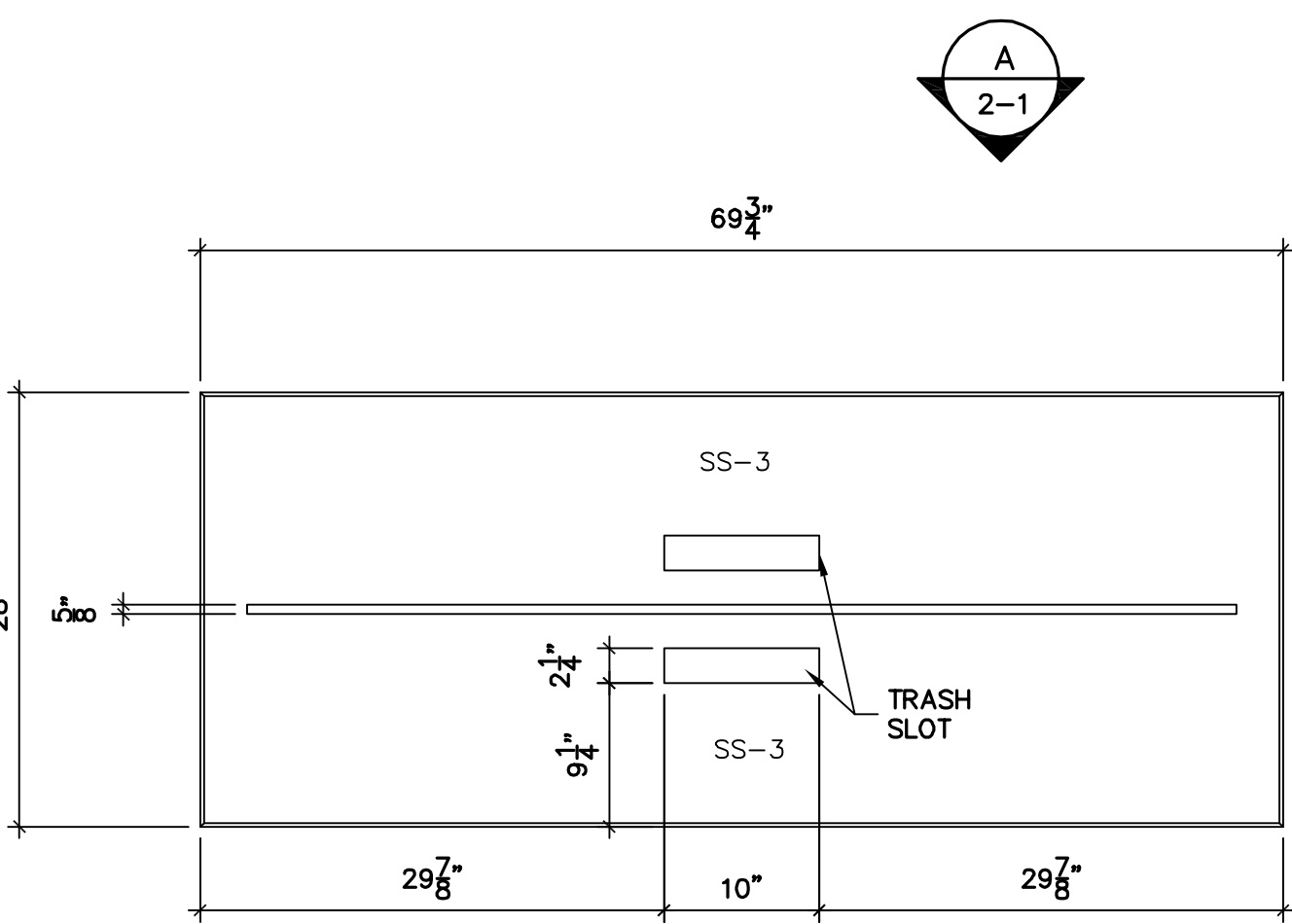


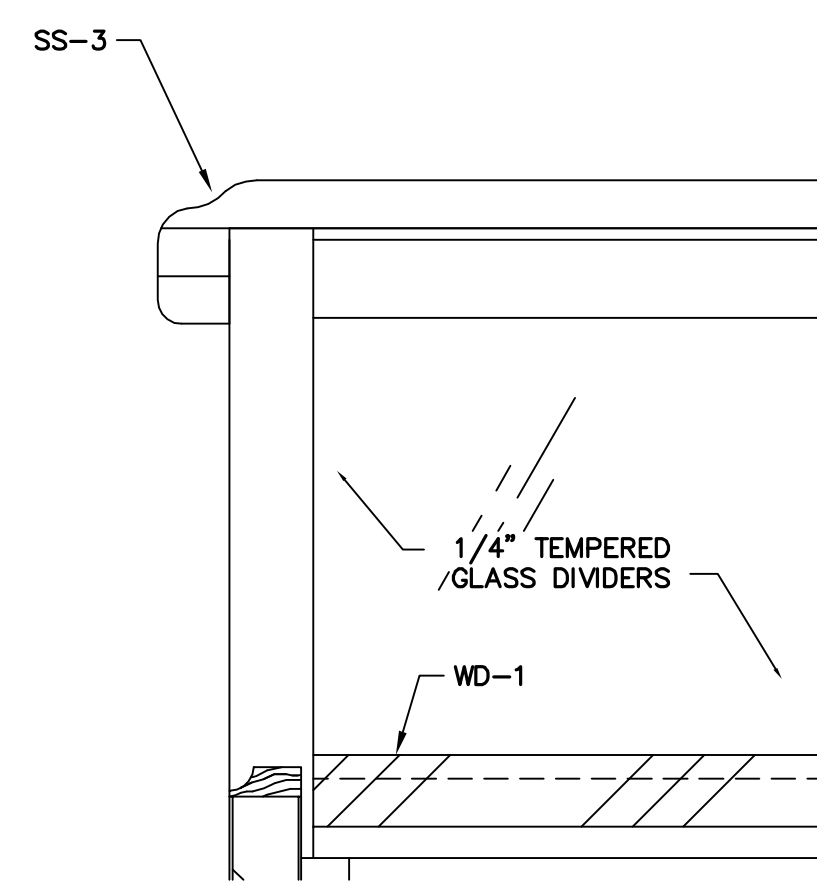
F HORIZONTAL SECTION
 2-1 SCALE: 1-1/2" = 1' = 0"
 ARCH. REF: NONE



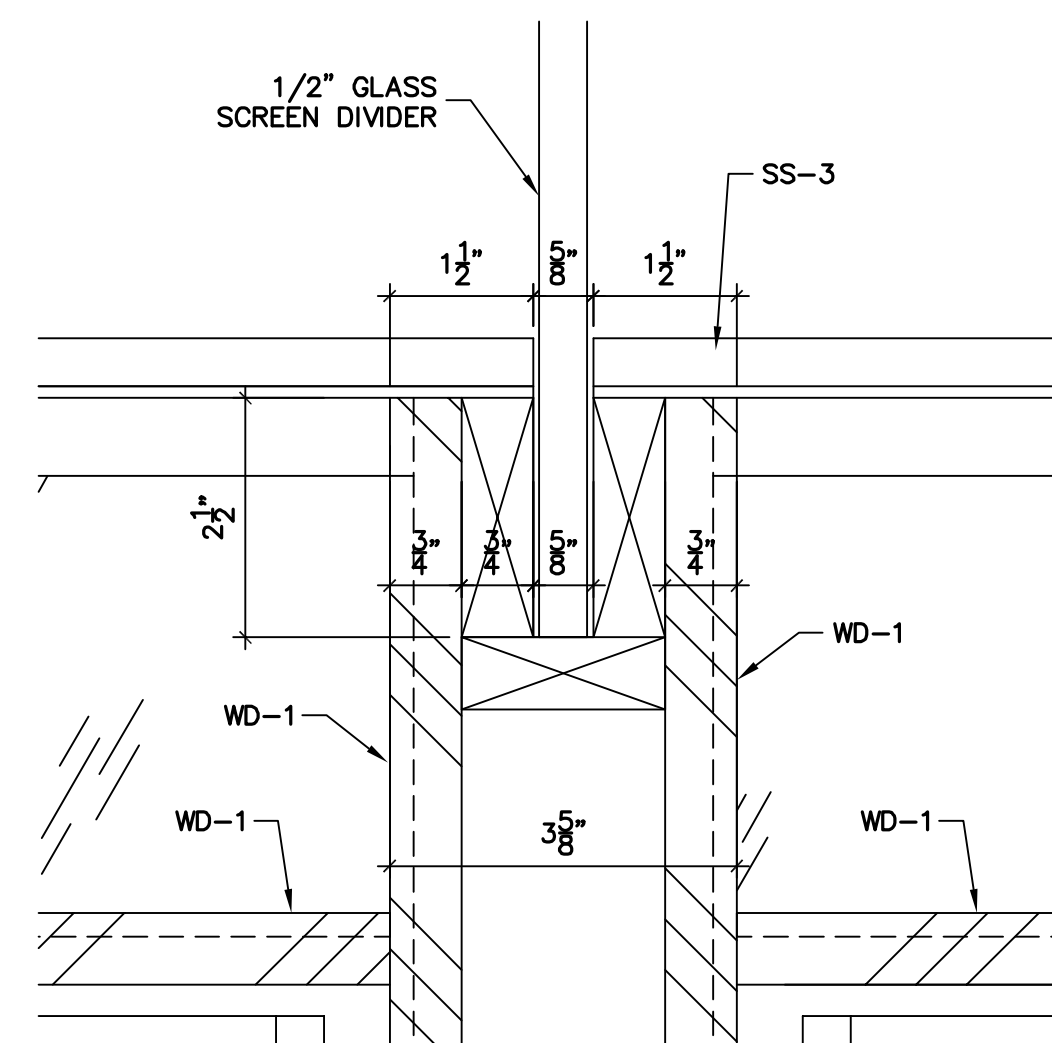
G HORIZONTAL SECTION
 2-1 SCALE: 1-1/2" = 1' = 0"
 ARCH. REF: NONE



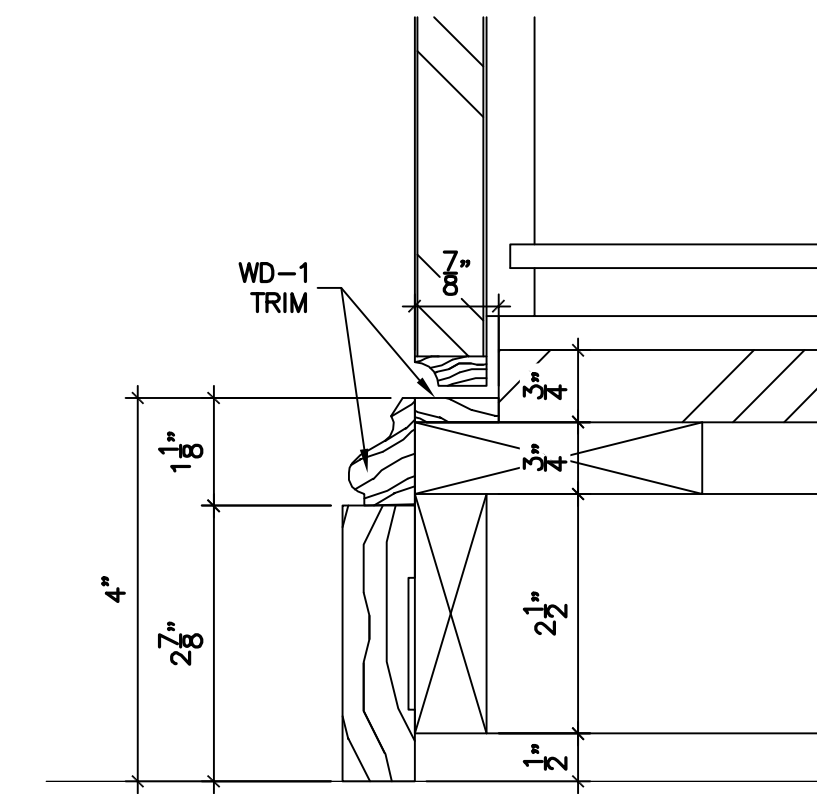
C PLAN OF CHECK DESK
 2-1 SCALE: 1" = 1' = 0"
 ARCH. REF: 1/A903



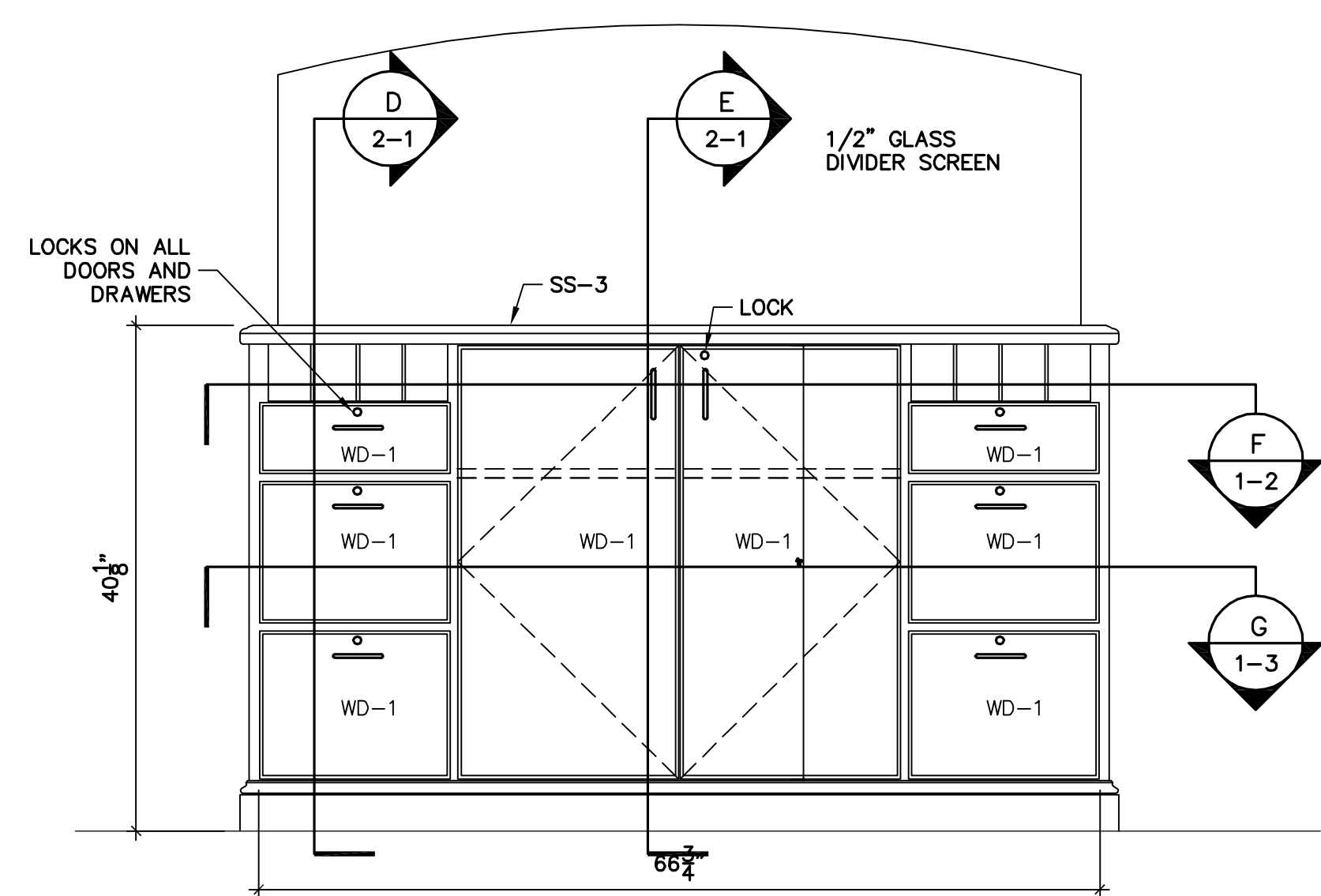
H DETAIL
 2-1 SCALE: 6" = 1' = 0"
 ARCH. REF: NONE



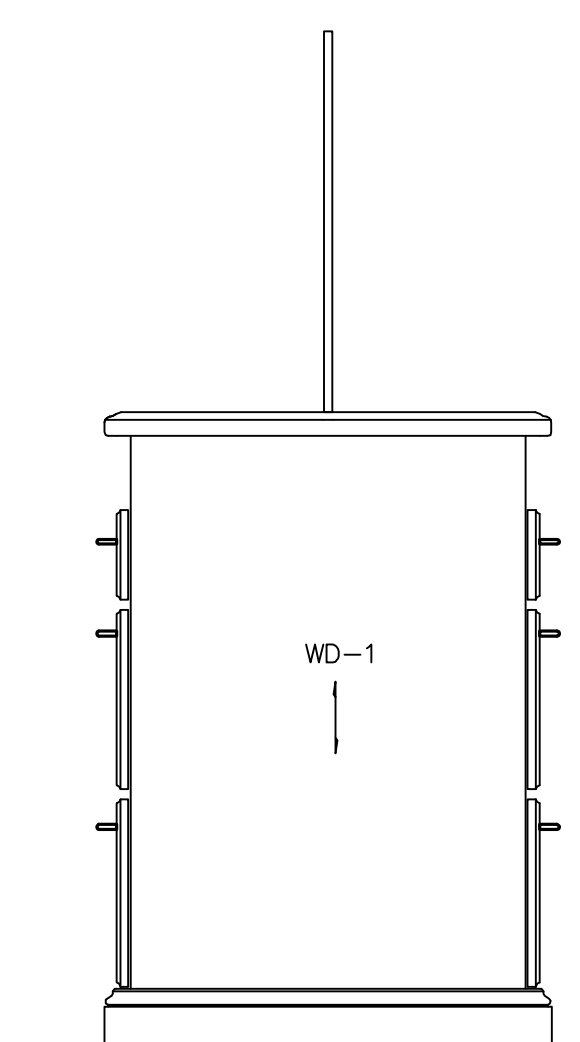
J DETAIL
 2-1 SCALE: 6" = 1' = 0"
 ARCH. REF: NONE



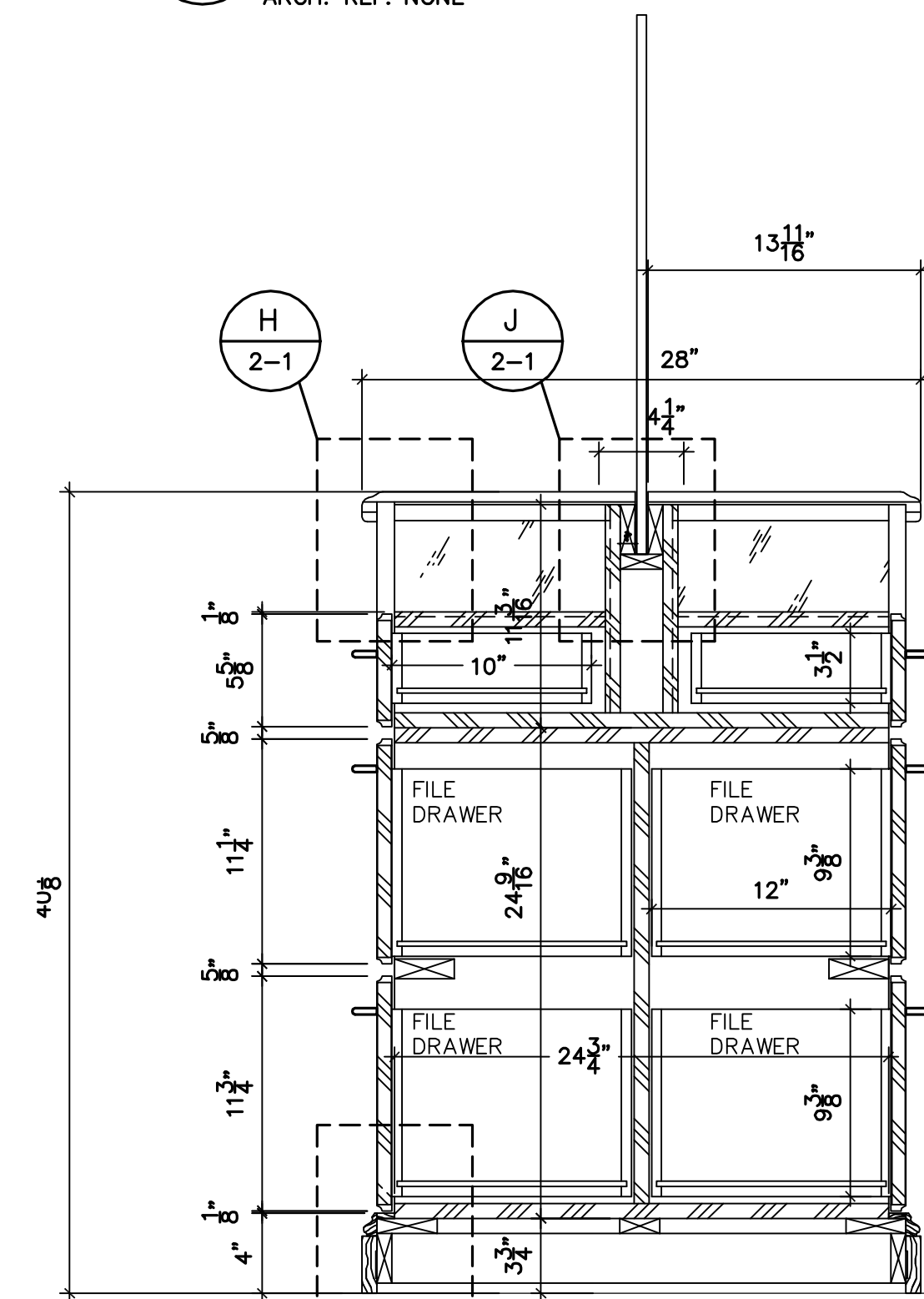
K DETAIL
 2-1 SCALE: 6" = 1' = 0"
 ARCH. REF: NONE



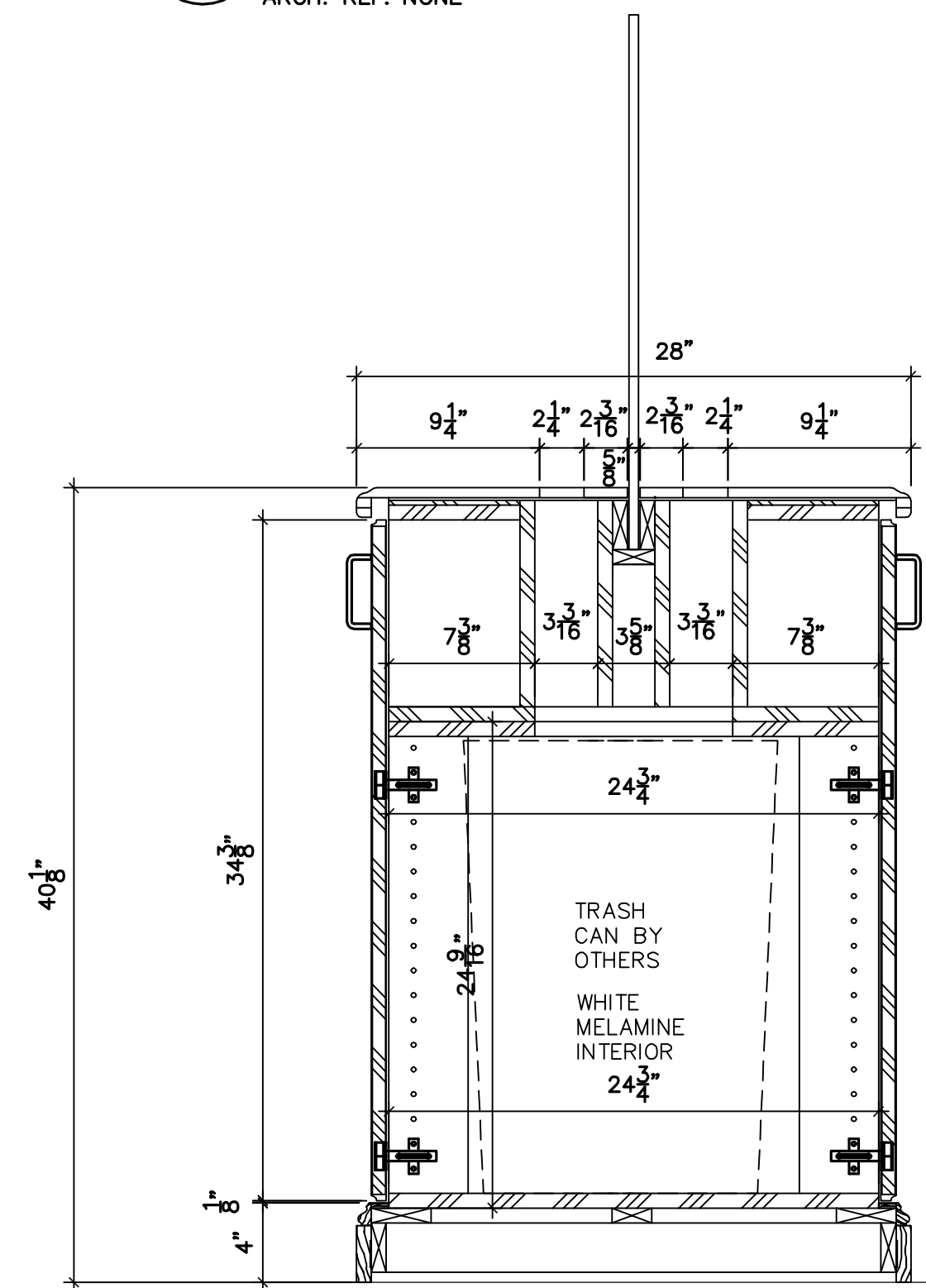
A ELEVATION
 2-1 SCALE: 1" = 1' = 0"
 ARCH. REF: 2/A903



B ELEVATION
 2-1 SCALE: 1" = 1' = 0"
 ARCH. REF: 2/A903



D VERTICAL SECTION
 2-1 SCALE: 1-1/2" = 1' = 0"
 ARCH. REF: 4/A903



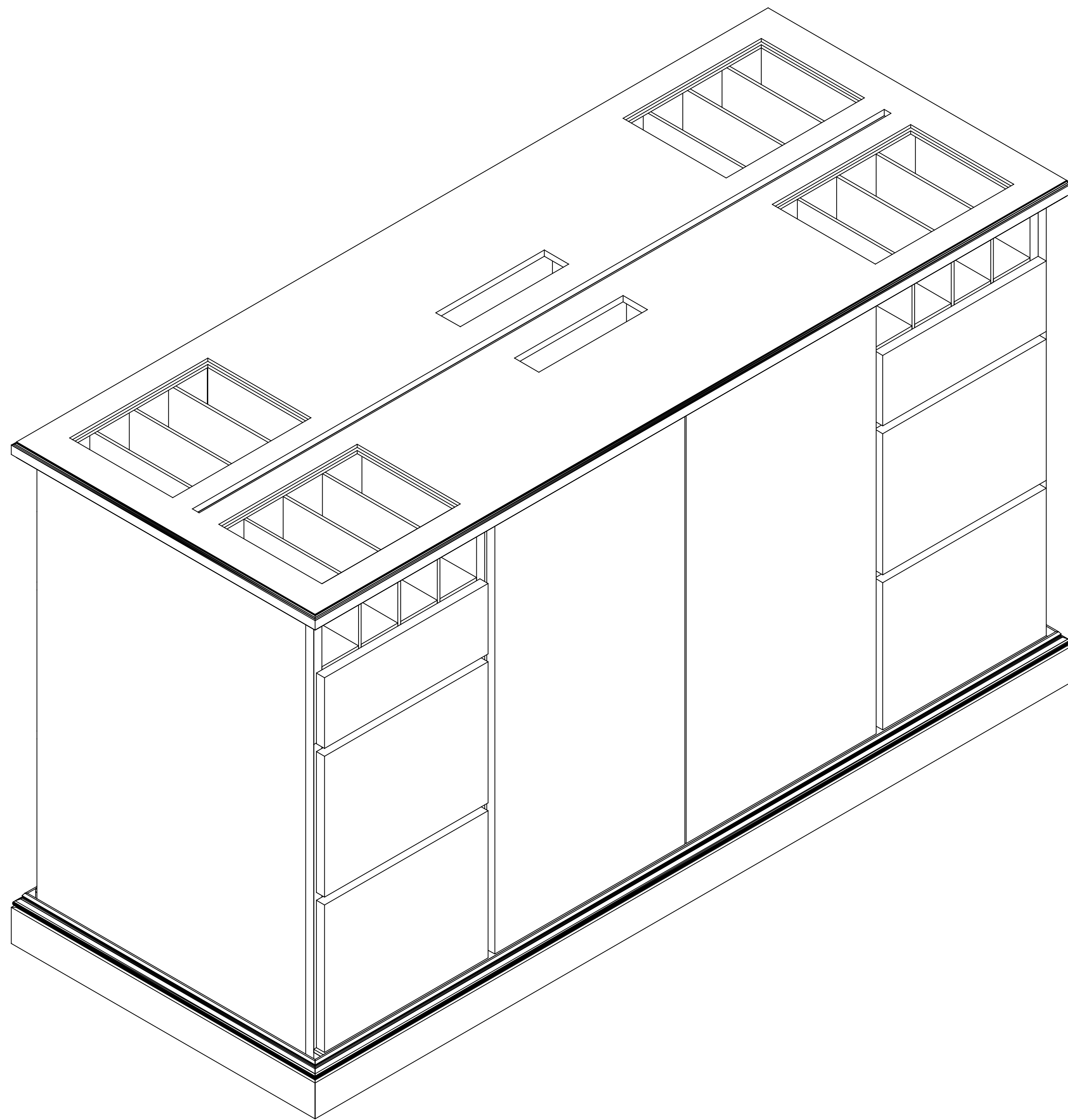
E VERTICAL SECTION
 2-1 SCALE: 1-1/2" = 1' = 0"
 ARCH. REF: 5/A903

FINISHES:
SS-3: STARON #AM633 "ASPEN MINE"
WD-1: MAPLE VENEER OR SOLID STAINED TO MATCH APPROVED SAMPLE
NOTE: ALL CABINET INTERIORS TO BE WHITE MELAMINE UNLESS OTHERWISE NOTED.
CABINET HARDWARE:
HINGES: BLUM 125' CONCEALED SELF CLOSING
DRAWER SLIDES: 10" FULL EXTENSION
PULLS : HAFELE #116.05.922

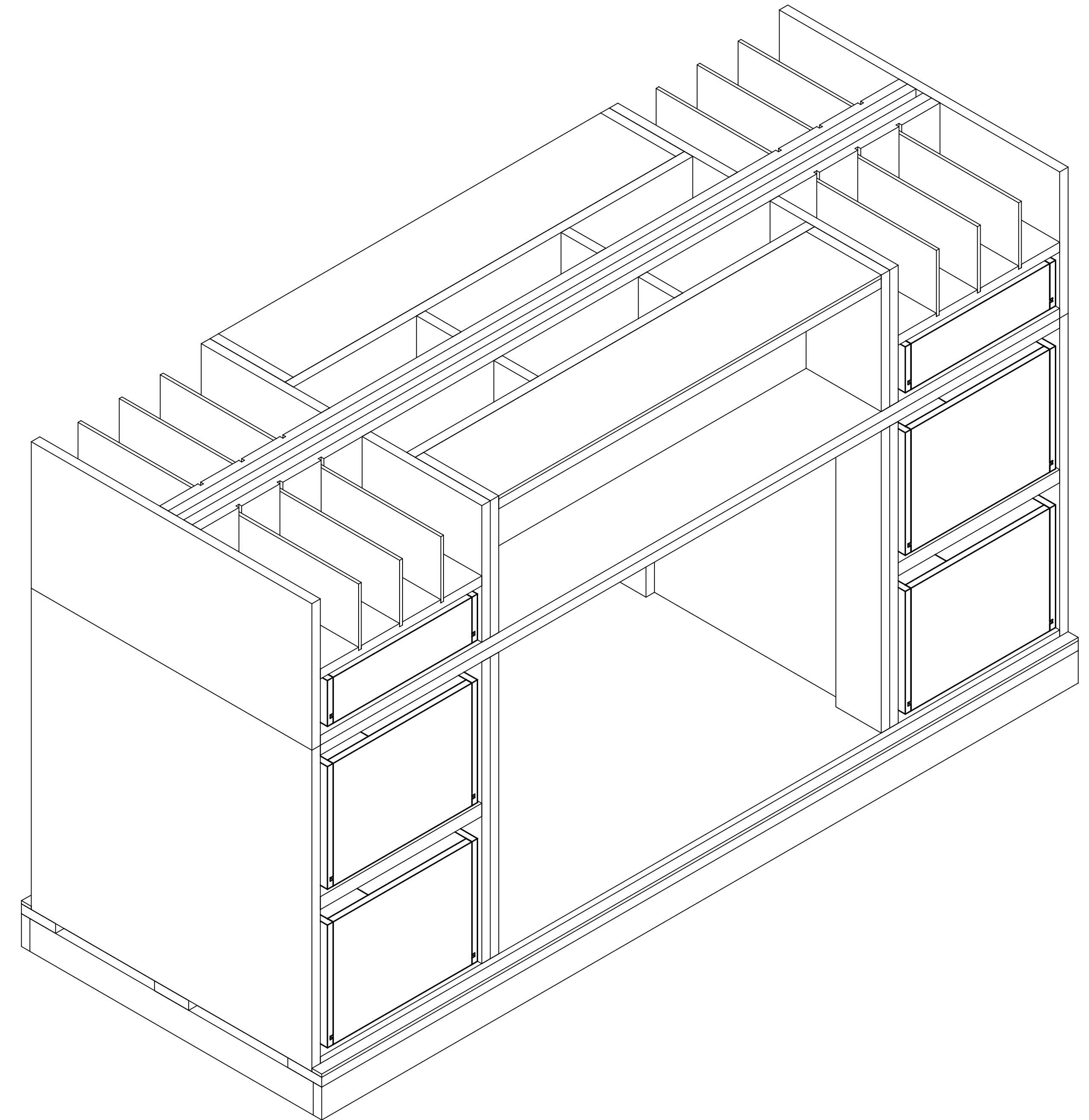
REVISIONS	BY
5/24/07	TM
JOB#	
DRAWN BY:	DATE
TM	03/28/07

Job Name:

PAGE:
2-1



A ISOMETRIC VIEW OF CHECK DESK
 2-2 SCALE: NTS
 ARCH. REF: NONE



B ISOMETRIC VIEW OF CHECK DESK
 2-2 SCALE: NTS
 ARCH. REF: NONE

REVISIONS	BY
JOB#	
DRAWN BY:	DATE
TM	03/28/07

Job Name: