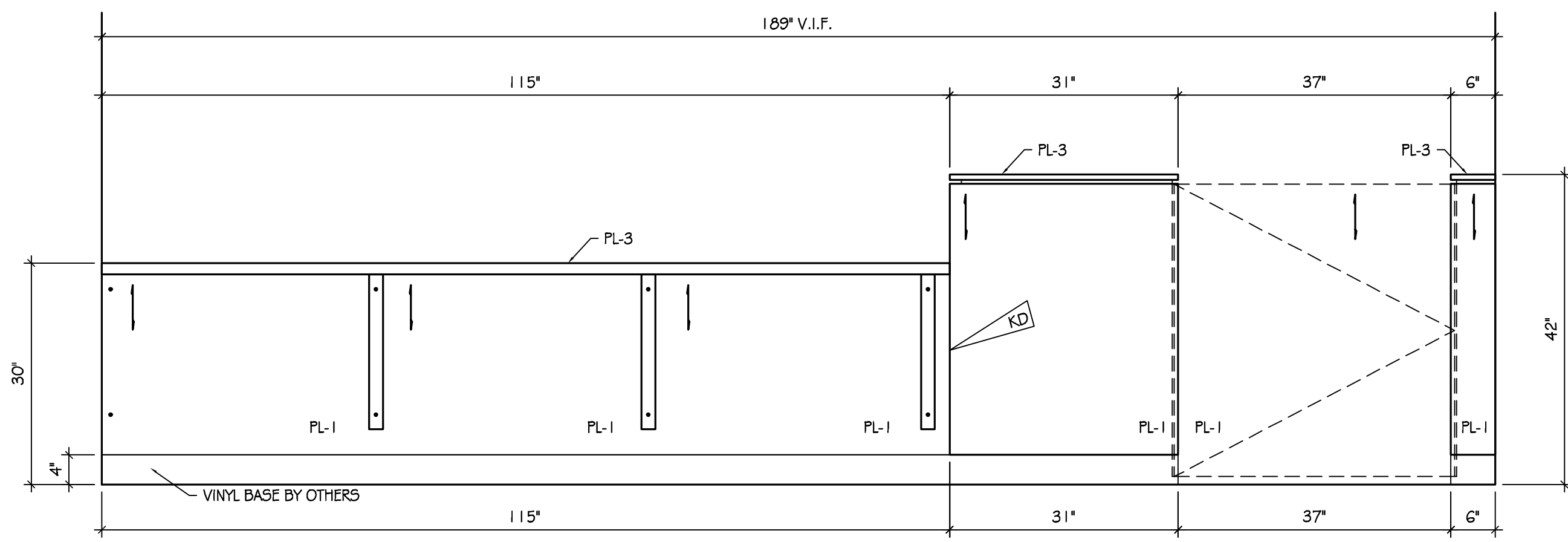


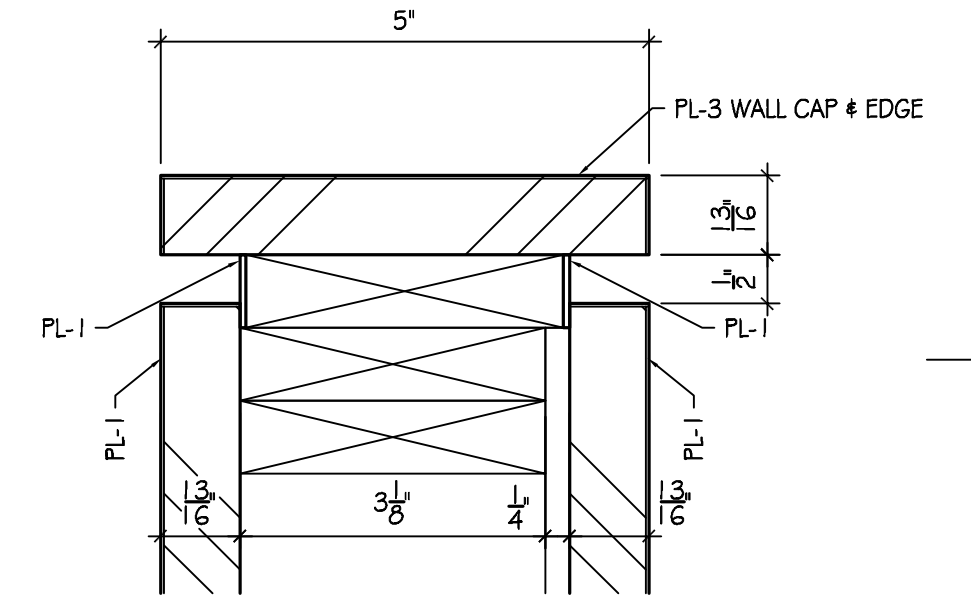
1 PLAN VIEW: HEARING ROOM

SCALE: SCALE 2-0
 ARCH. REF: 201
 FOUR (4) UNITS REQUIRED AS SHOWN.
 ONE (1) @ EA. LOCATION:
 1005, 1006, 1007, 1008



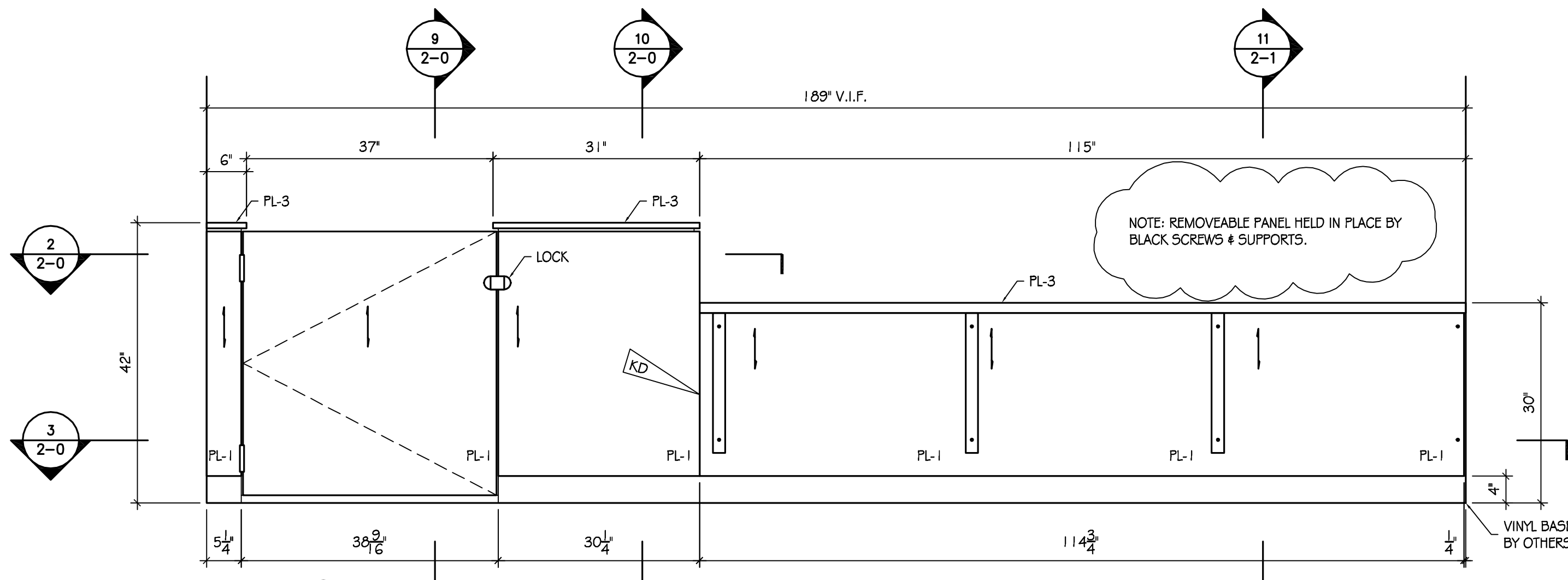
B ELEVATION

SCALE: 3/4" = 1' 0"
 ARCH. REF: NONE



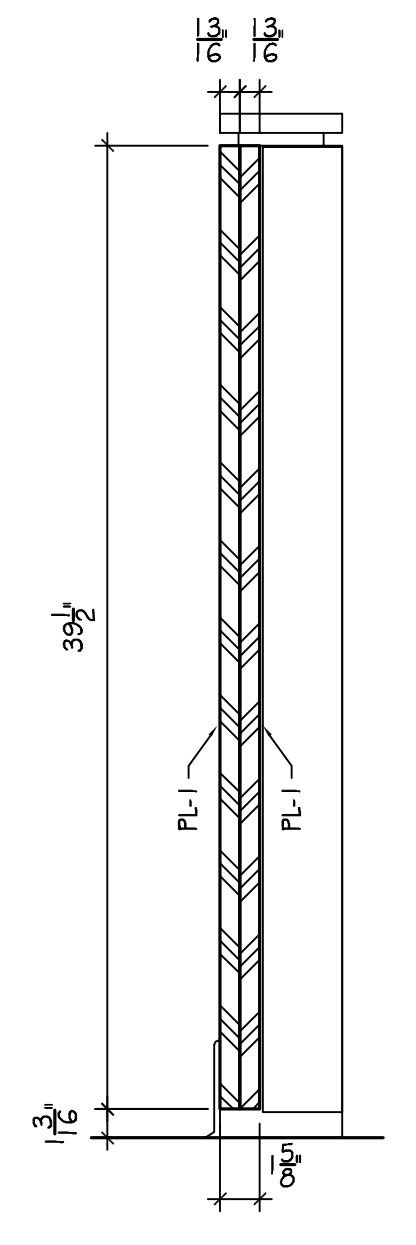
12 DETAIL: WALL CAP

SCALE: 6" = 1' 0"
 ARCH. REF: NONE



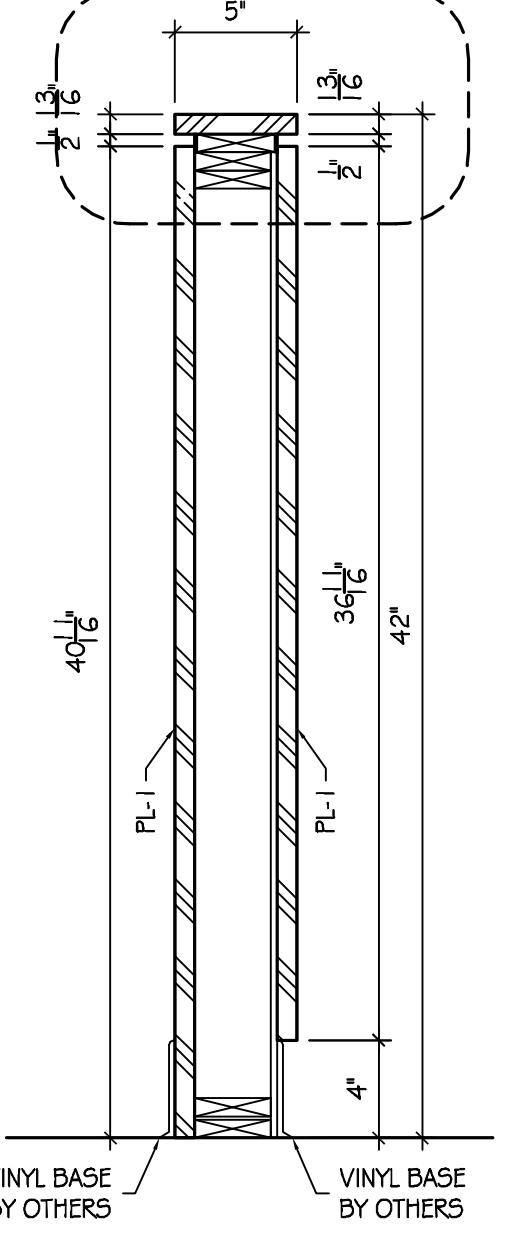
A ELEVATION

SCALE: 3/4" = 1' 0"
 ARCH. REF: A1/802



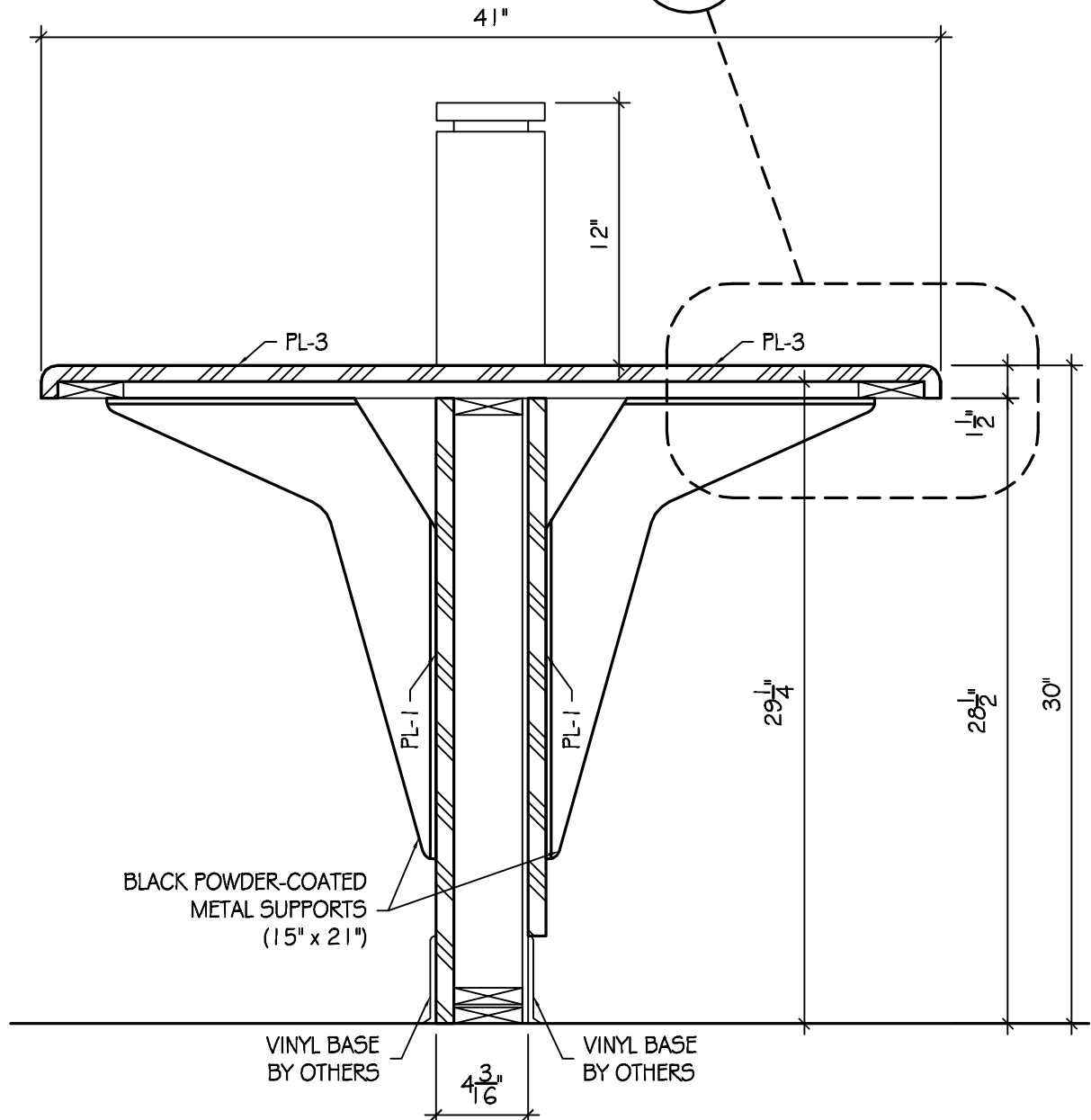
9 SECTION

SCALE: 1-1/2" = 1' 0"
 ARCH. REF: NONE



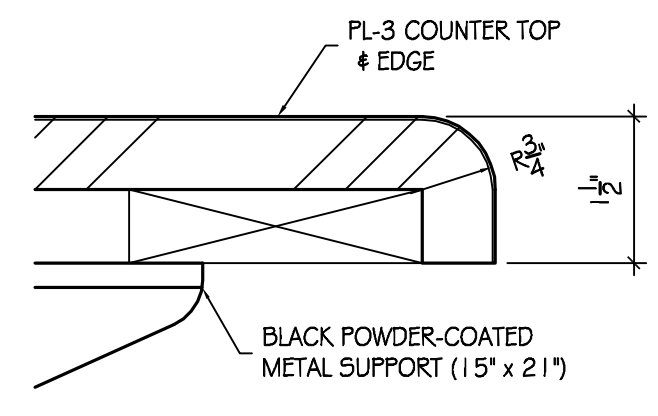
10 SECTION

SCALE: 1-1/2" = 1' 0"
 ARCH. REF: B4/807



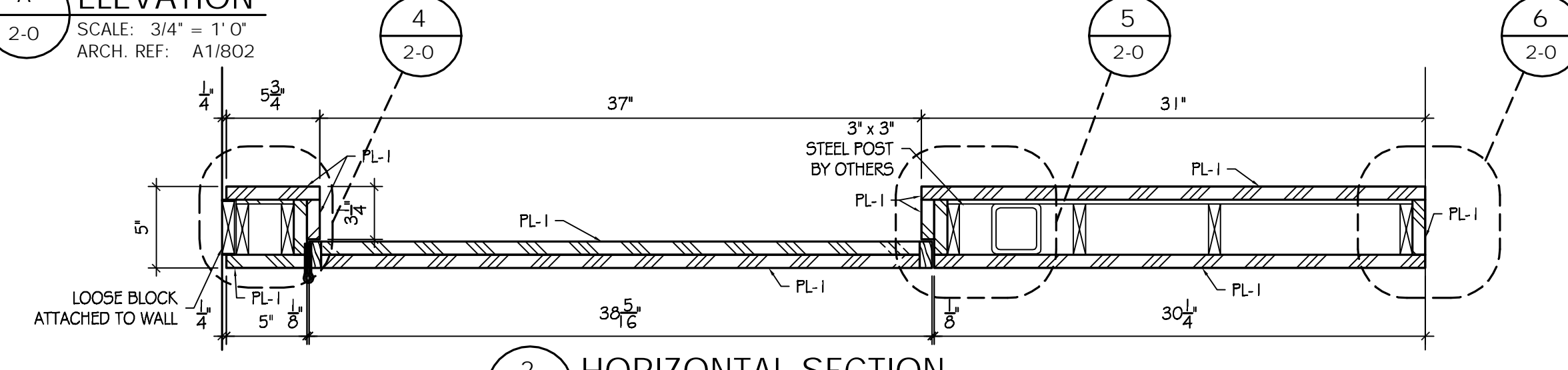
11 SECTION

SCALE: 1-1/2" = 1' 0"
 ARCH. REF: A2/806



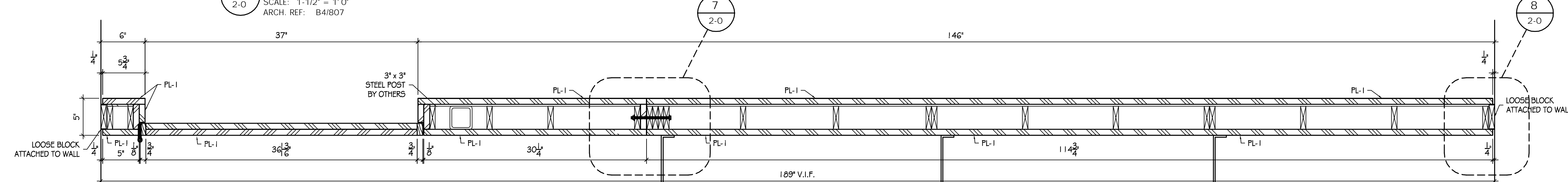
13 DETAIL: COUNTER TOP

SCALE: 6" = 1' 0"
 ARCH. REF: NONE



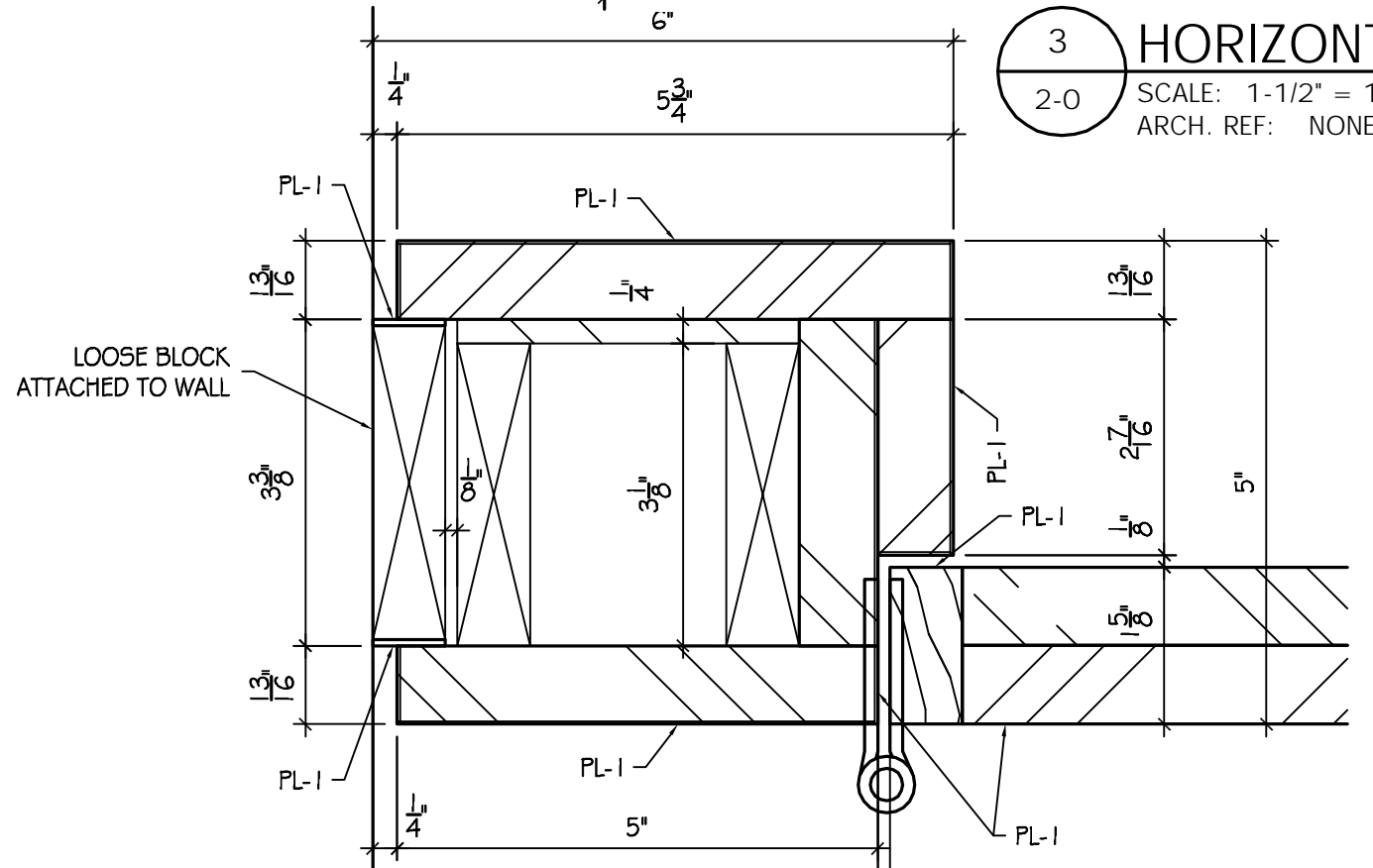
2 HORIZONTAL SECTION

SCALE: 1-1/2" = 1' 0"
 ARCH. REF: B4/807



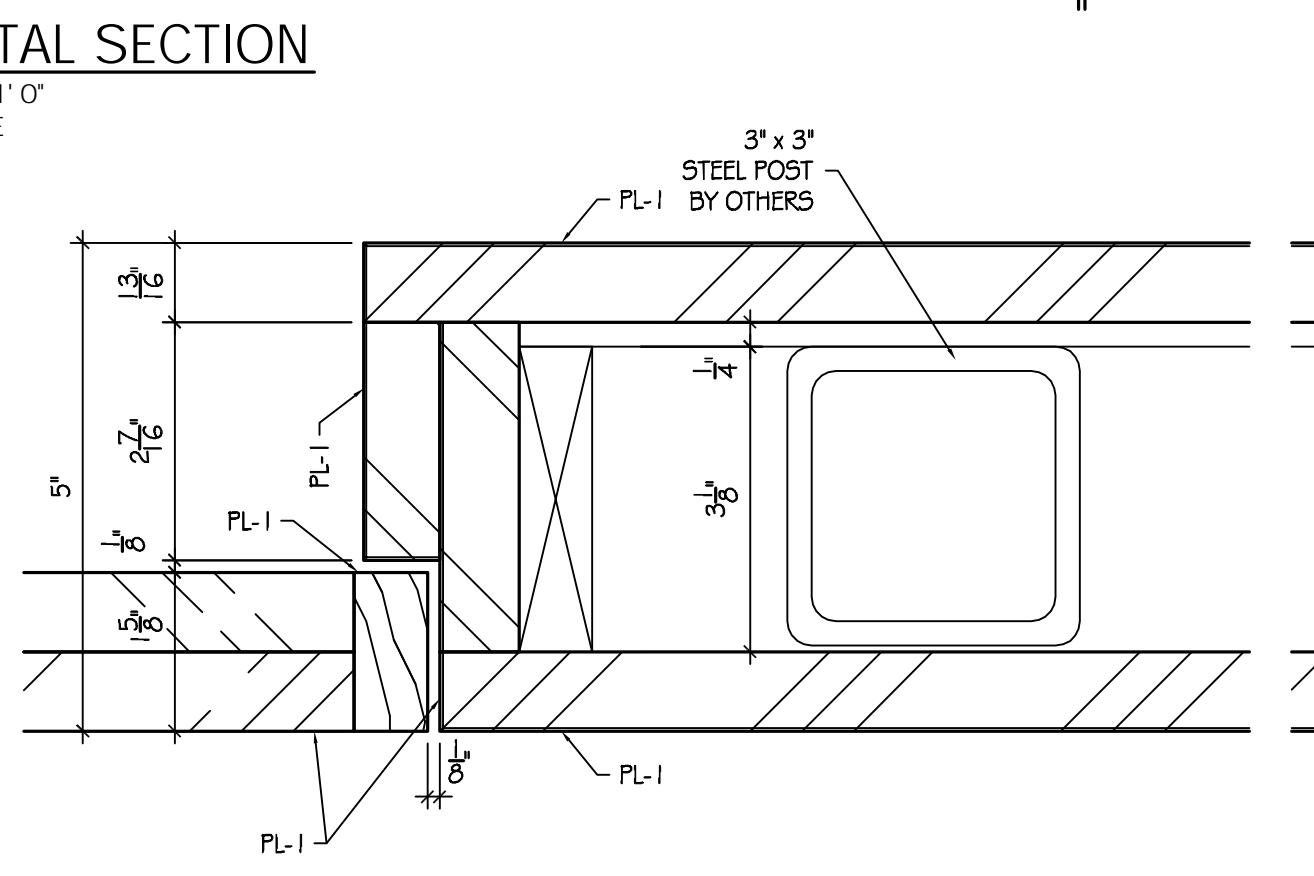
3 HORIZONTAL SECTION

SCALE: 1-1/2" = 1' 0"
 ARCH. REF: NONE



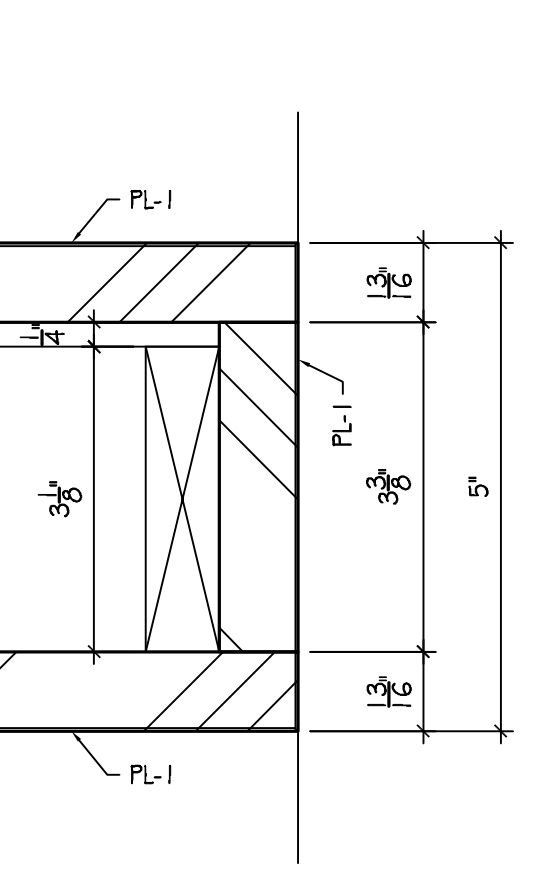
4 DETAIL

SCALE: 6" = 1' 0"
 ARCH. REF: NONE



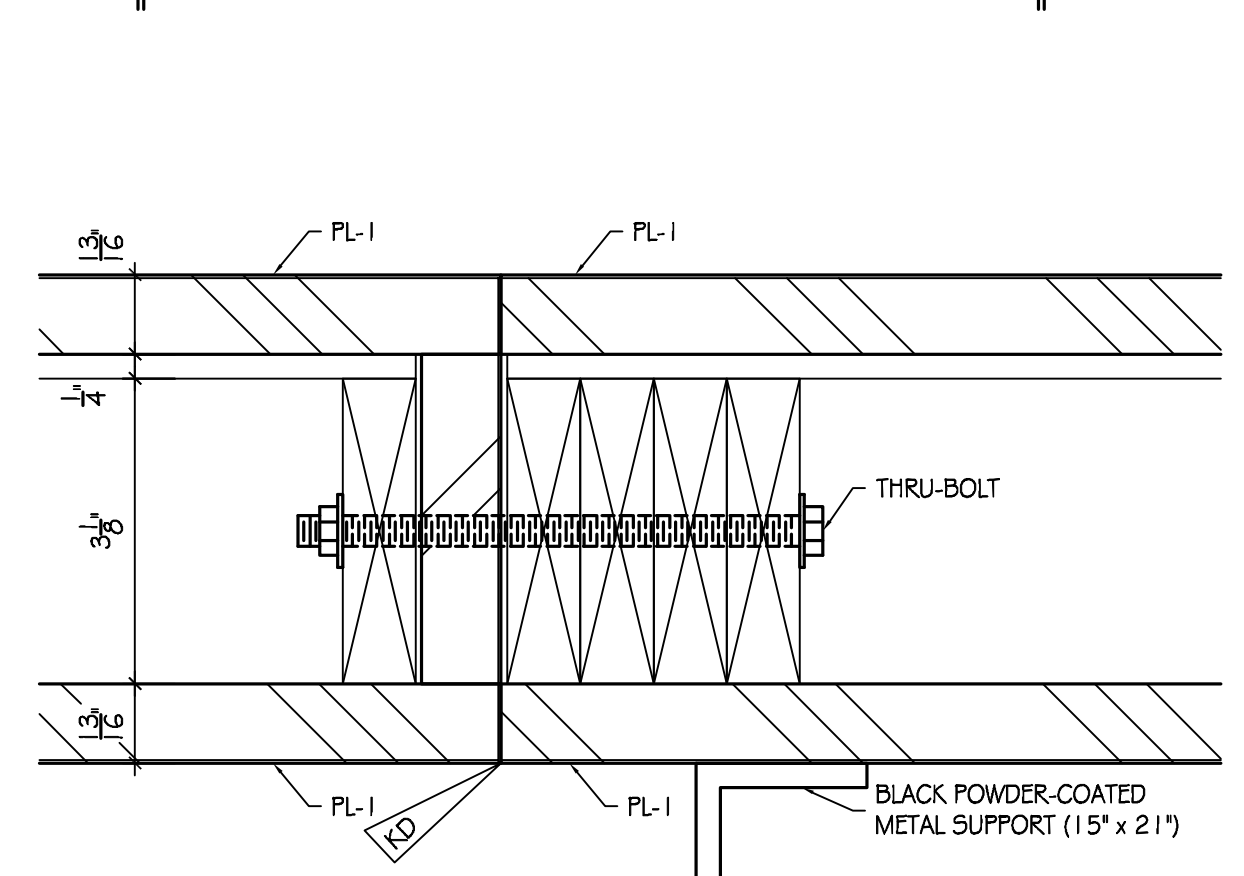
5 DETAIL

SCALE: 6" = 1' 0"
 ARCH. REF: NONE



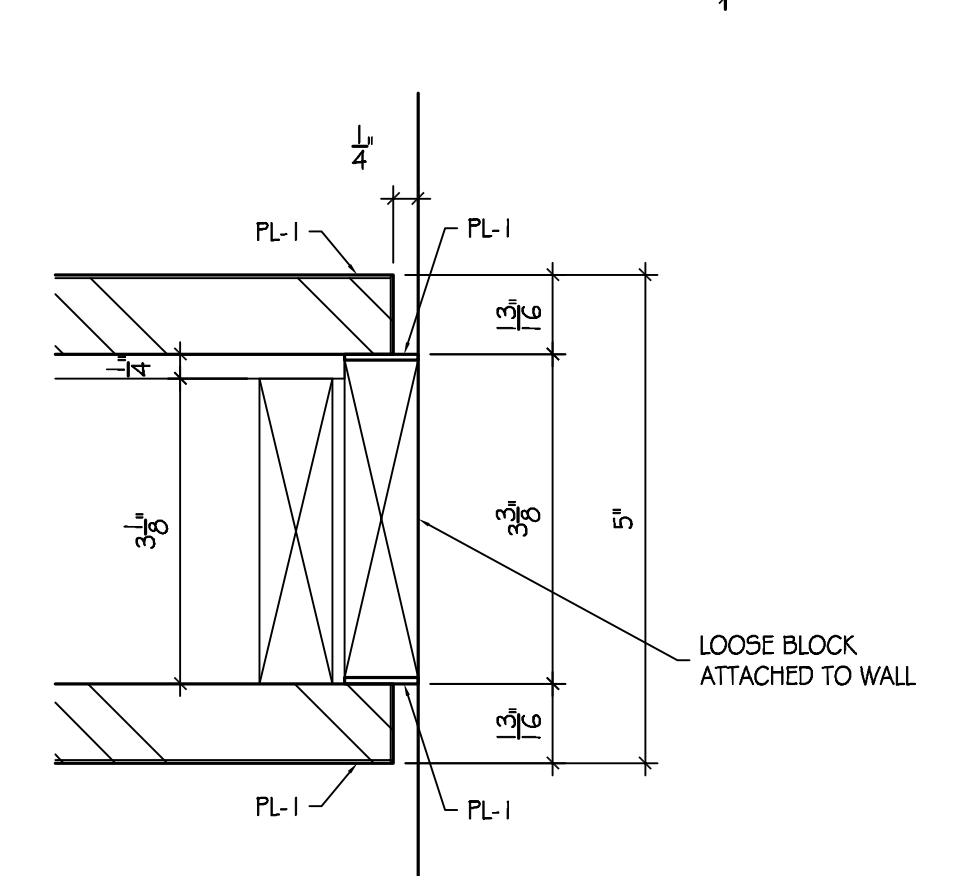
6 DETAIL

SCALE: 6" = 1' 0"
 ARCH. REF: NONE



7 DETAIL

SCALE: 6" = 1' 0"
 ARCH. REF: NONE



8 DETAIL

SCALE: 6" = 1' 0"
 ARCH. REF: NONE



ARCHITECT:
 GENERAL CONTRACTOR:
 DESIGNER:
 NOTES:
 PL-1: WILSONART 7922-07
 "BRIGHTON WALNUT"
 PL-3: PIONITE AT 191 "VIOLA SUN"
 LOCK: PLEASE SPECIFY

REVISIONS:

SHEET TITLE:
 RMS 1005, 1006, 1007, 1008
 PLAN & ELEVATIONS

DRAWN BY: MM | DATE: 10/10/08
 JOB: | SHEET NO.

2-0