

ARCHITECT:  
 GENERAL CONTRACTOR:  
 DESIGNER:

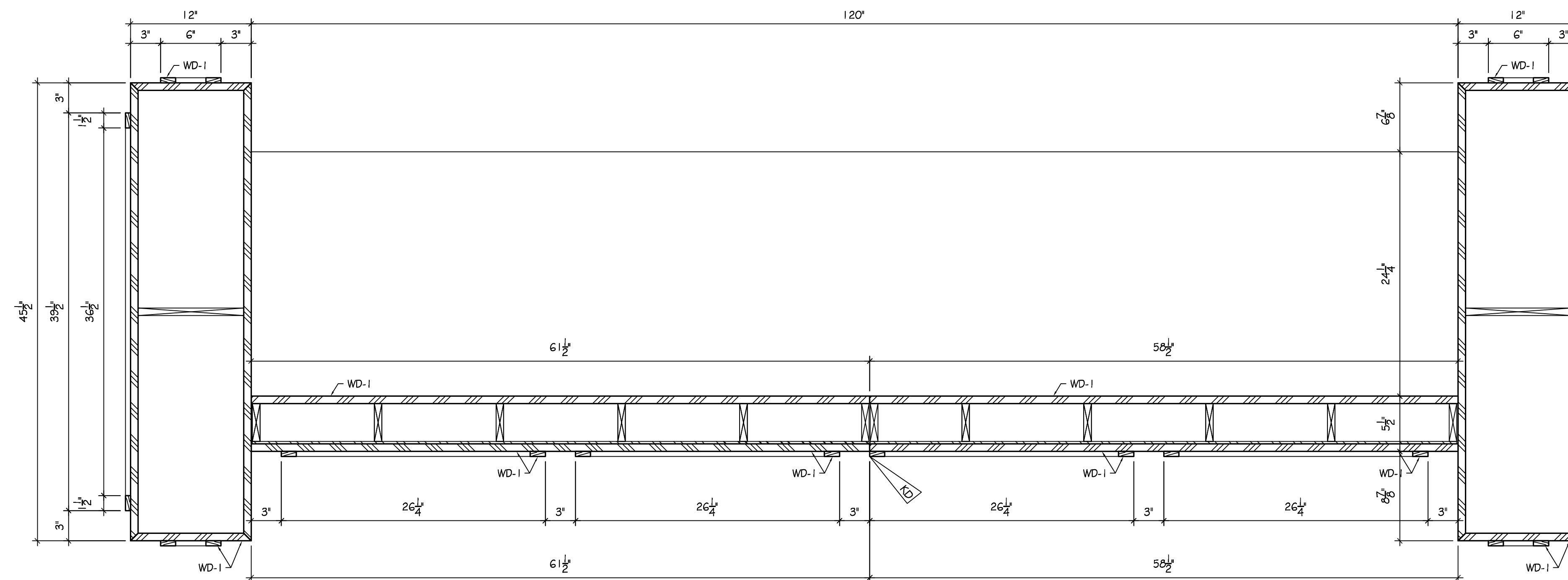
NOTES:  
 SS-1: PLEASE SPECIFY SOLID SURFACE  
 WD-1: OAK SOLID OR VENEER  
 STAINED TO MATCH APPROVED SAMPLE

REVISIONS:

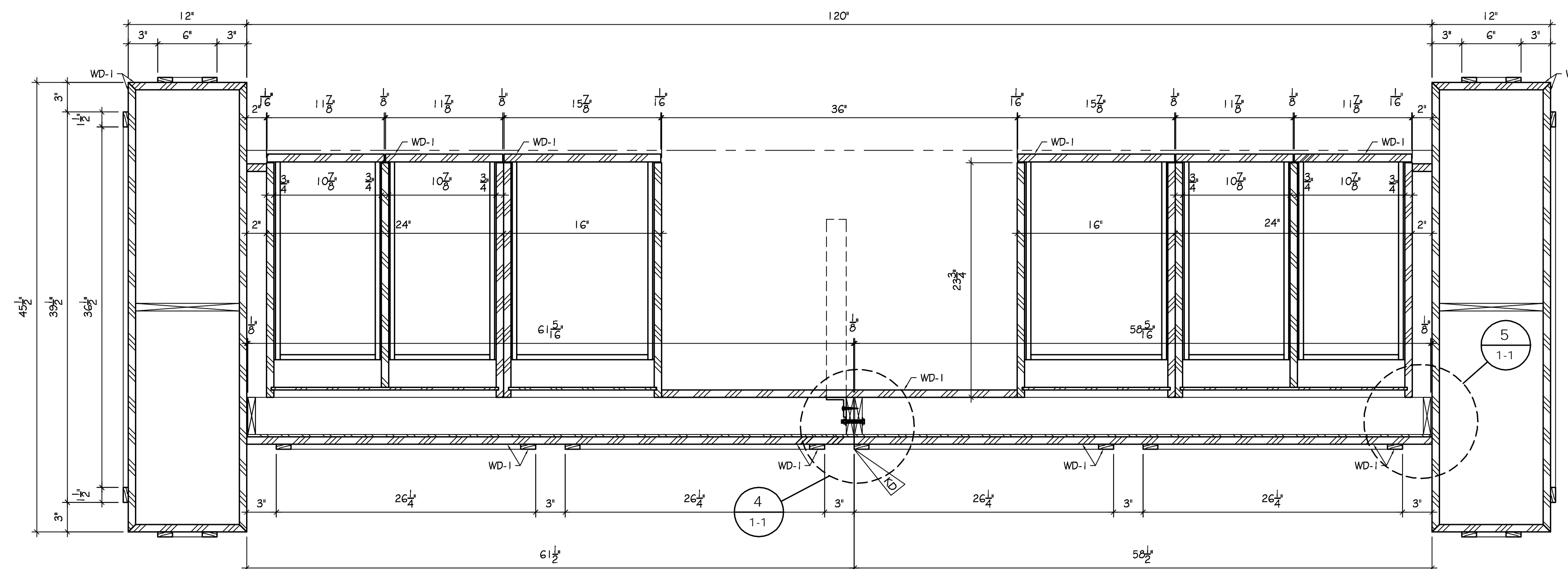
SHEET TITLE:  
**RECEPTION A-18**  
**PLAN & ELEVATIONS**

DRAWN BY: MM | DATE: 08/26/08  
 JOB: | SHEET NO.

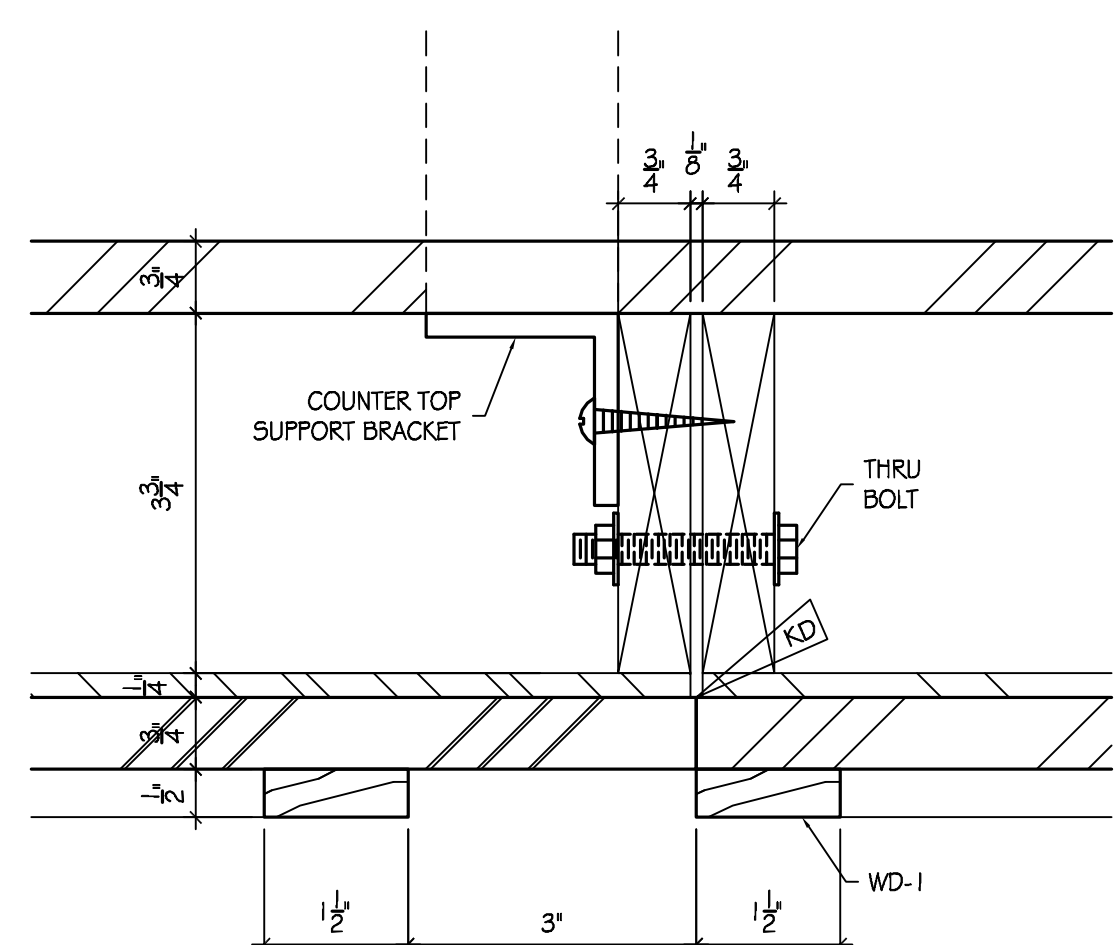
2-0



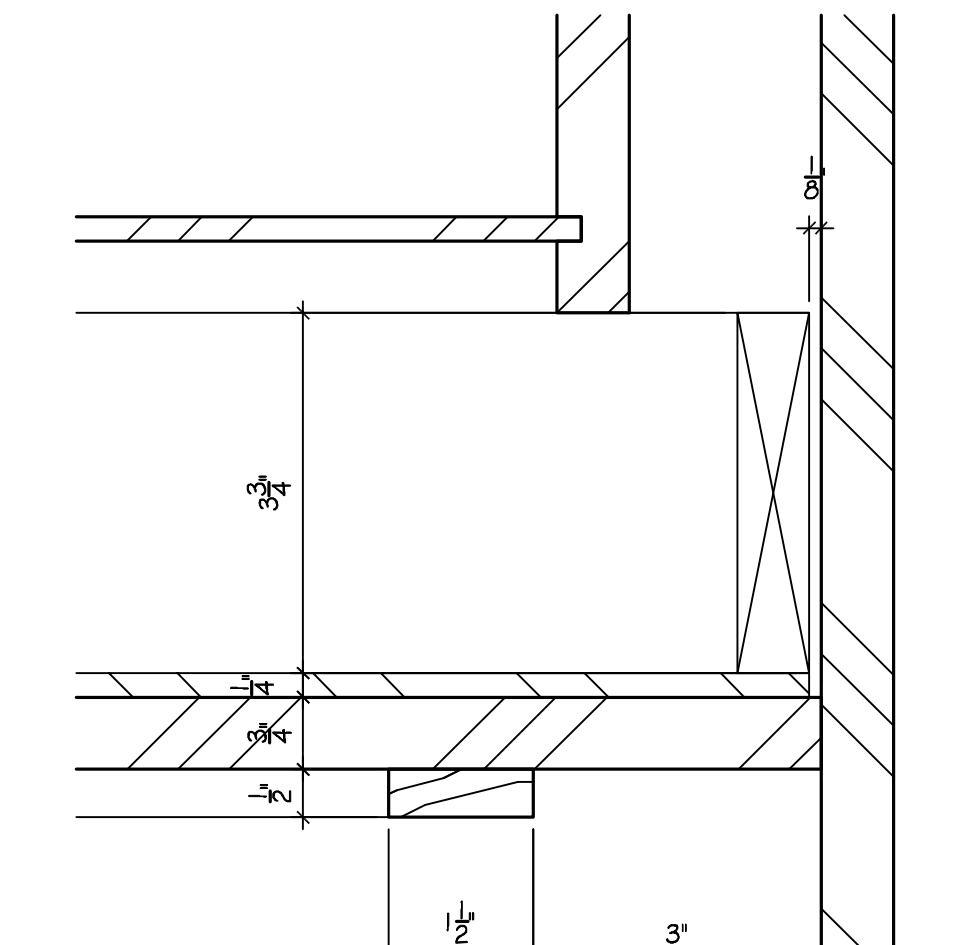
2 HORIZONTAL SECTION  
 1-1 SCALE: 1-1/2" = 1'-0"  
 ARCH. REF: NONE



3 HORIZONTAL SECTION  
 1-1 SCALE: 1-1/2" = 1'-0"  
 ARCH. REF: NONE



4 DETAIL  
 1-1 SCALE: 6" = 1'-0"  
 ARCH. REF: NONE



5 DETAIL  
 1-1 SCALE: 6" = 1'-0"  
 ARCH. REF: NONE



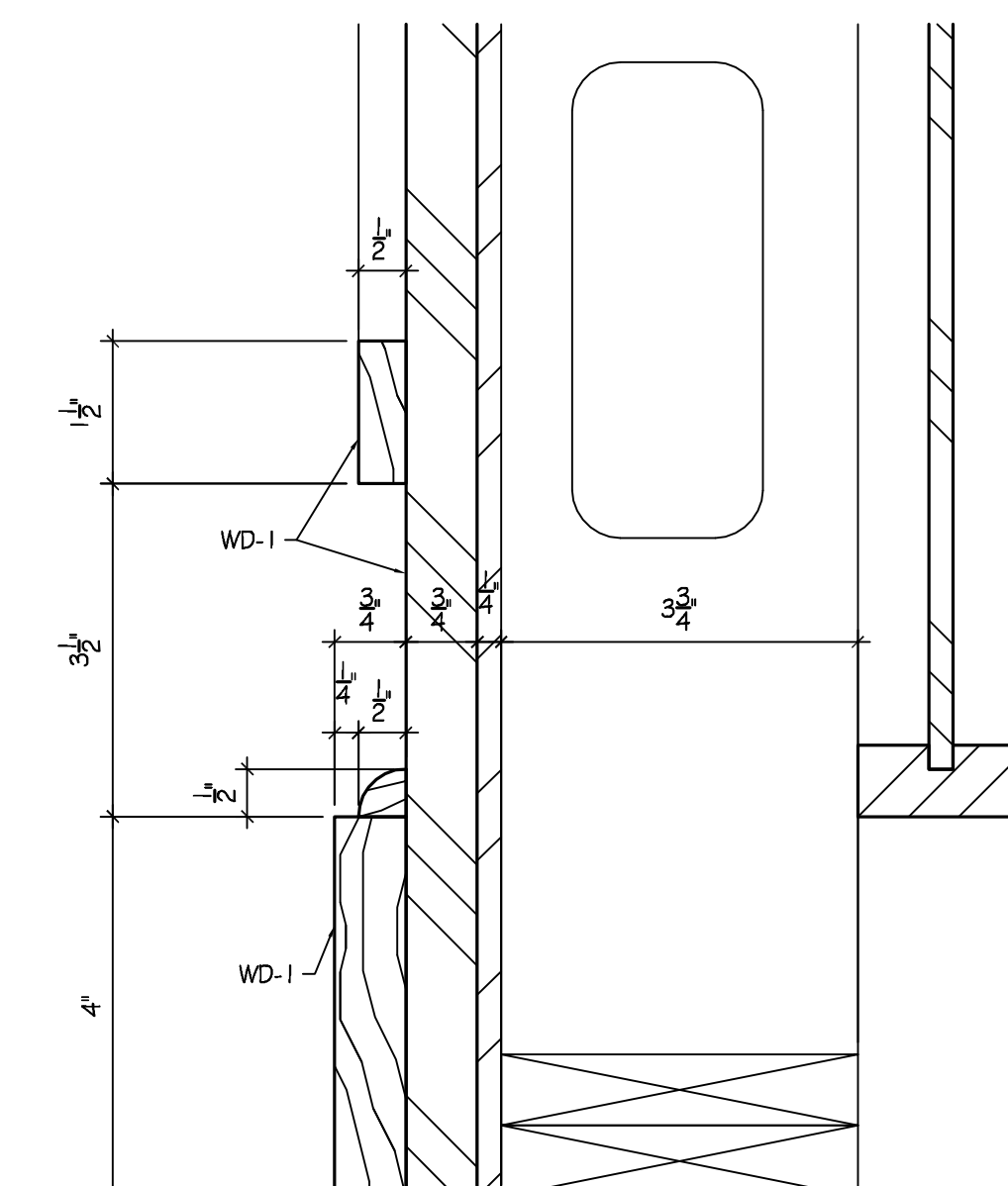
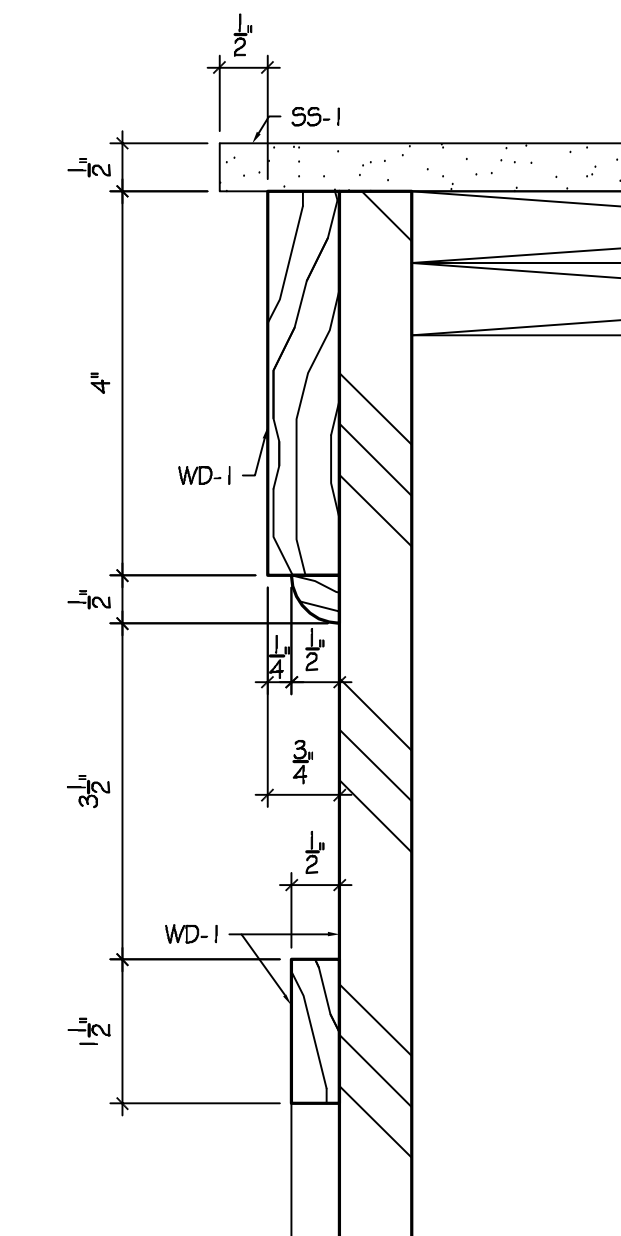
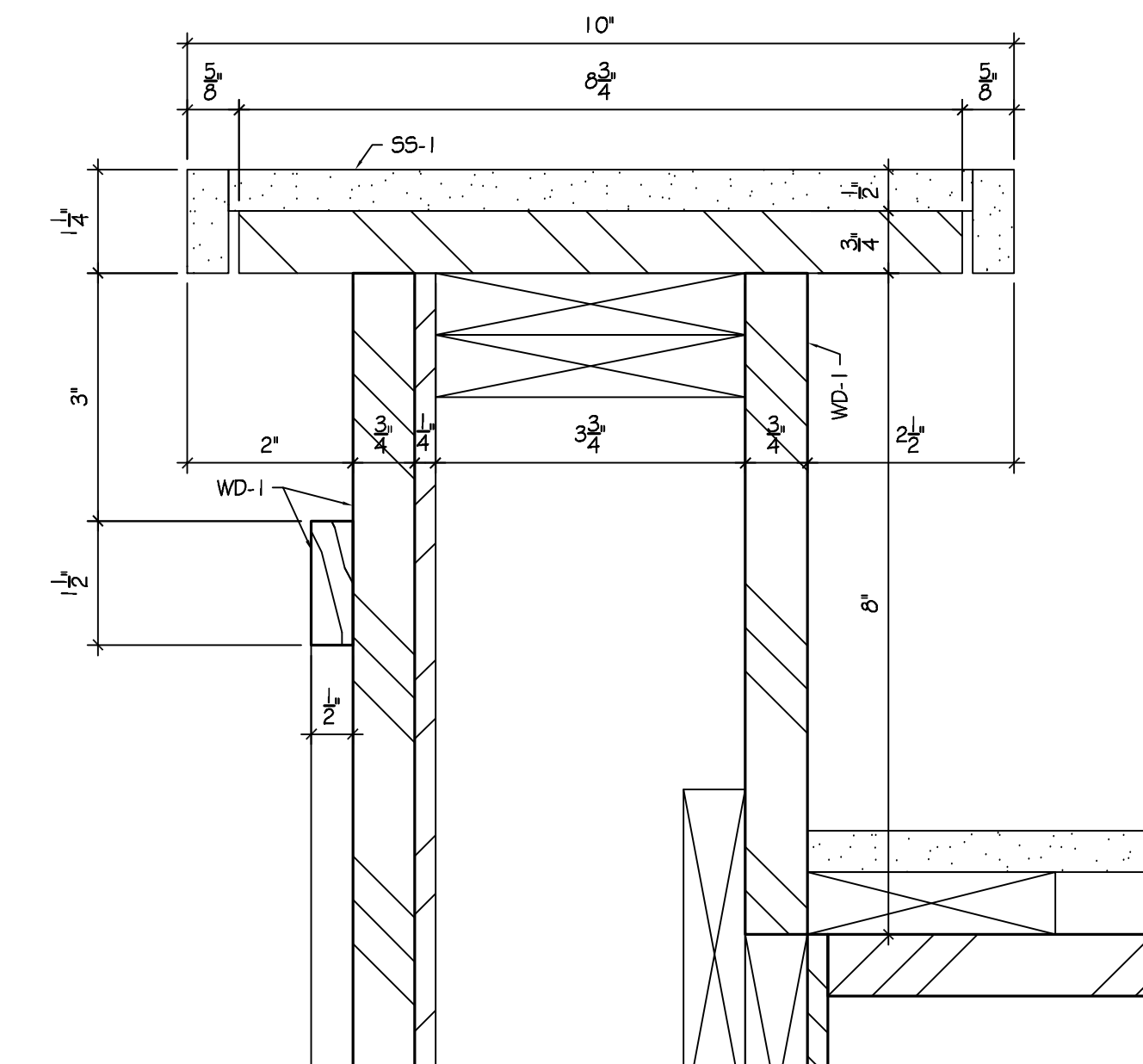
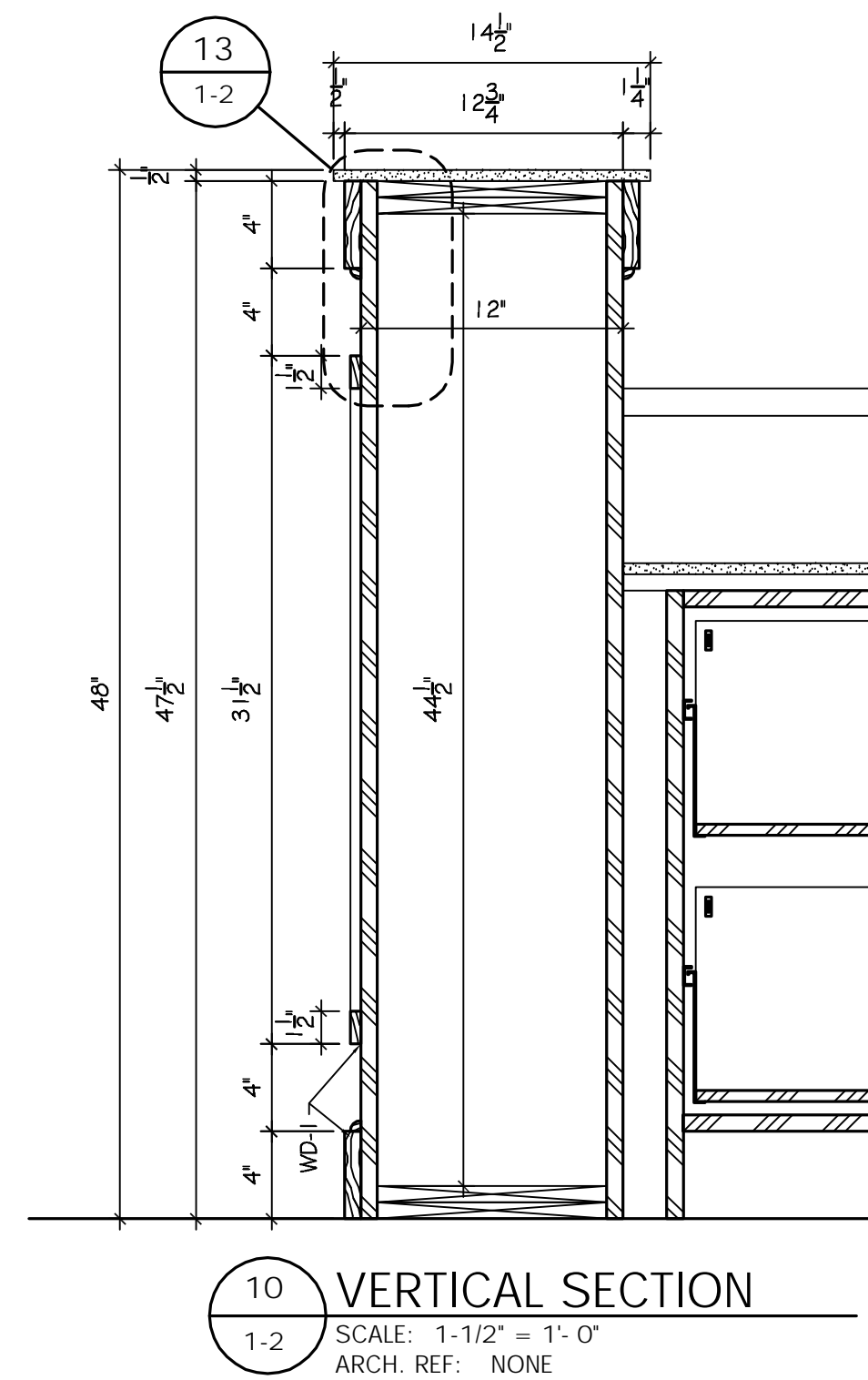
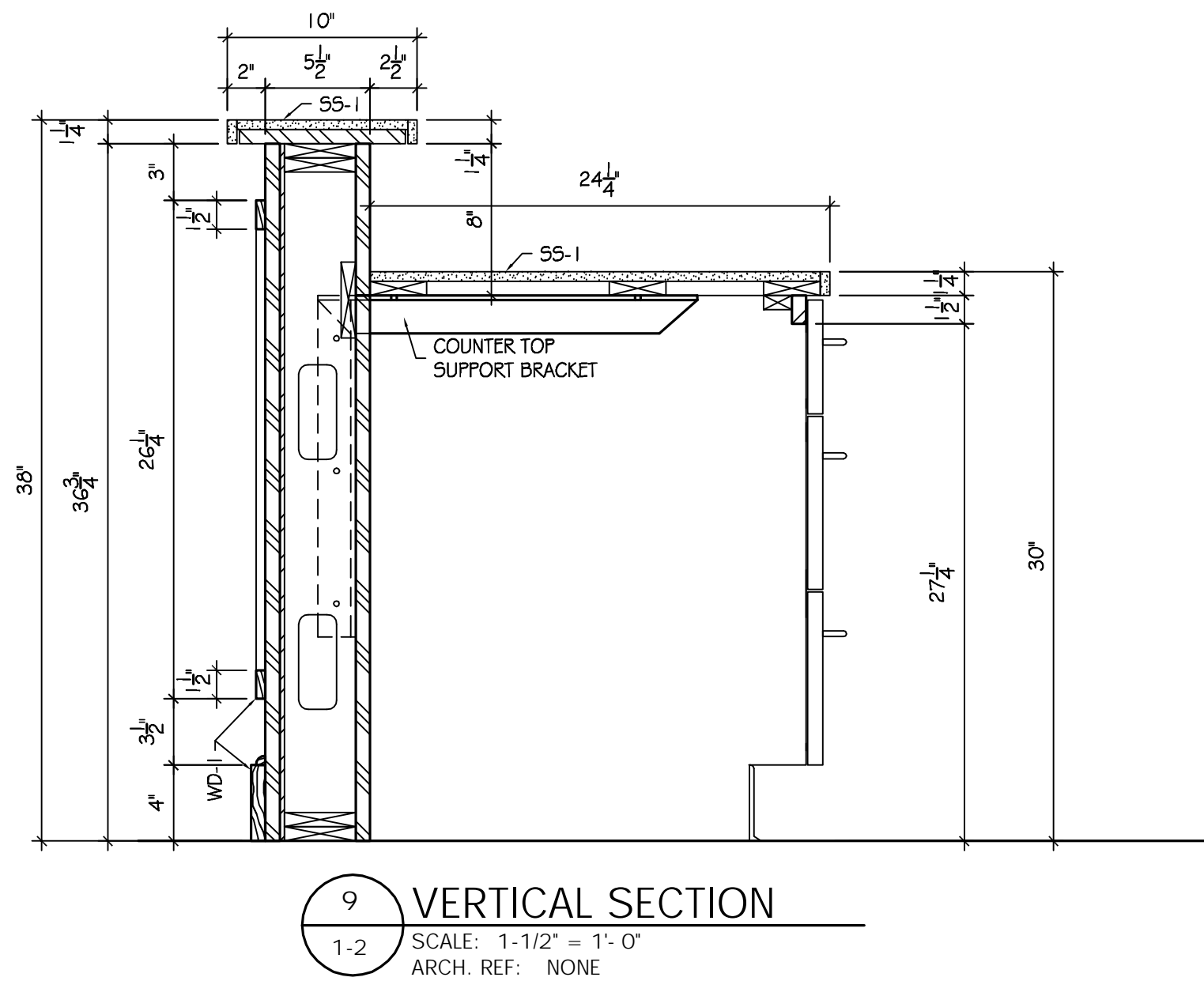
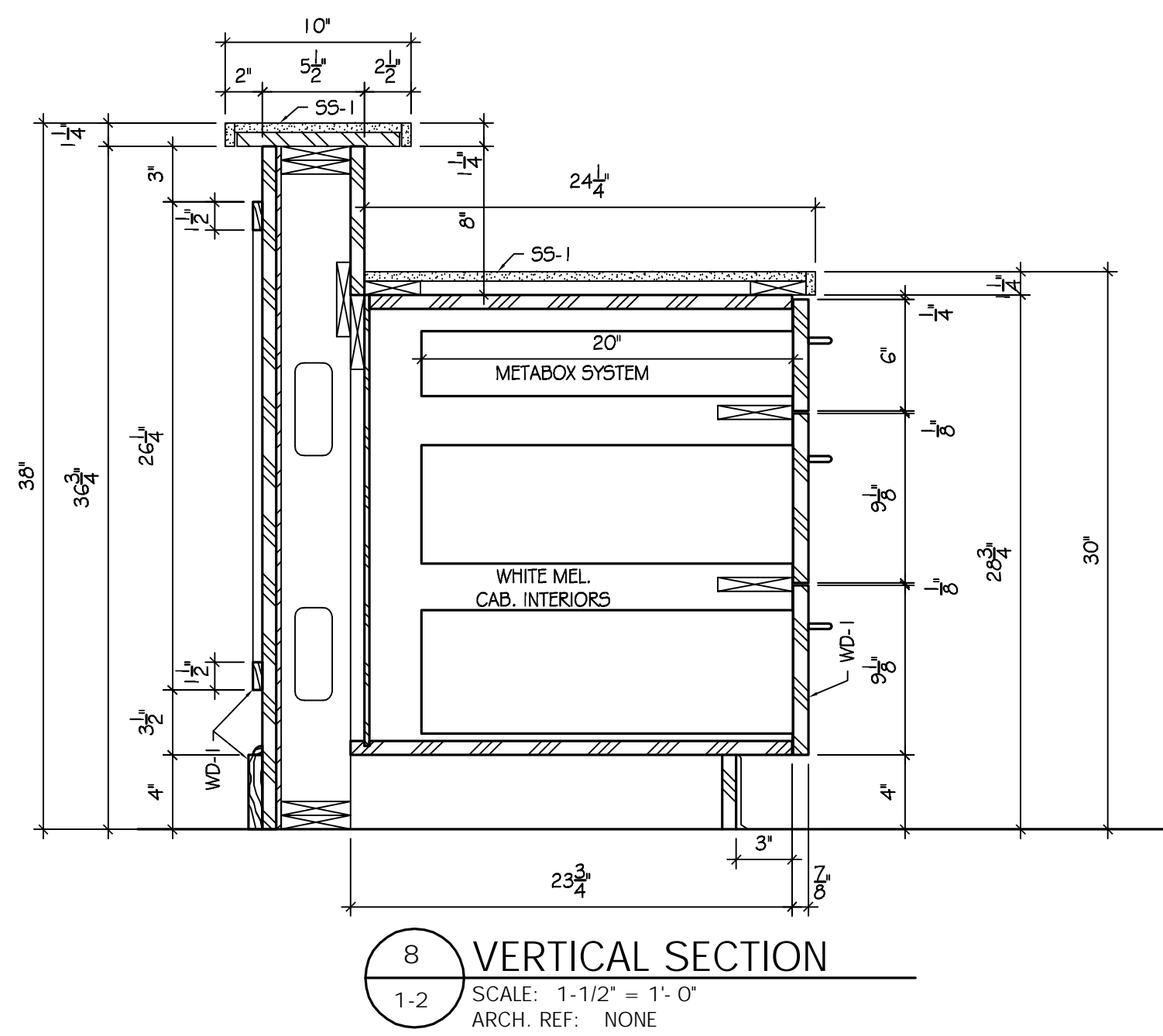
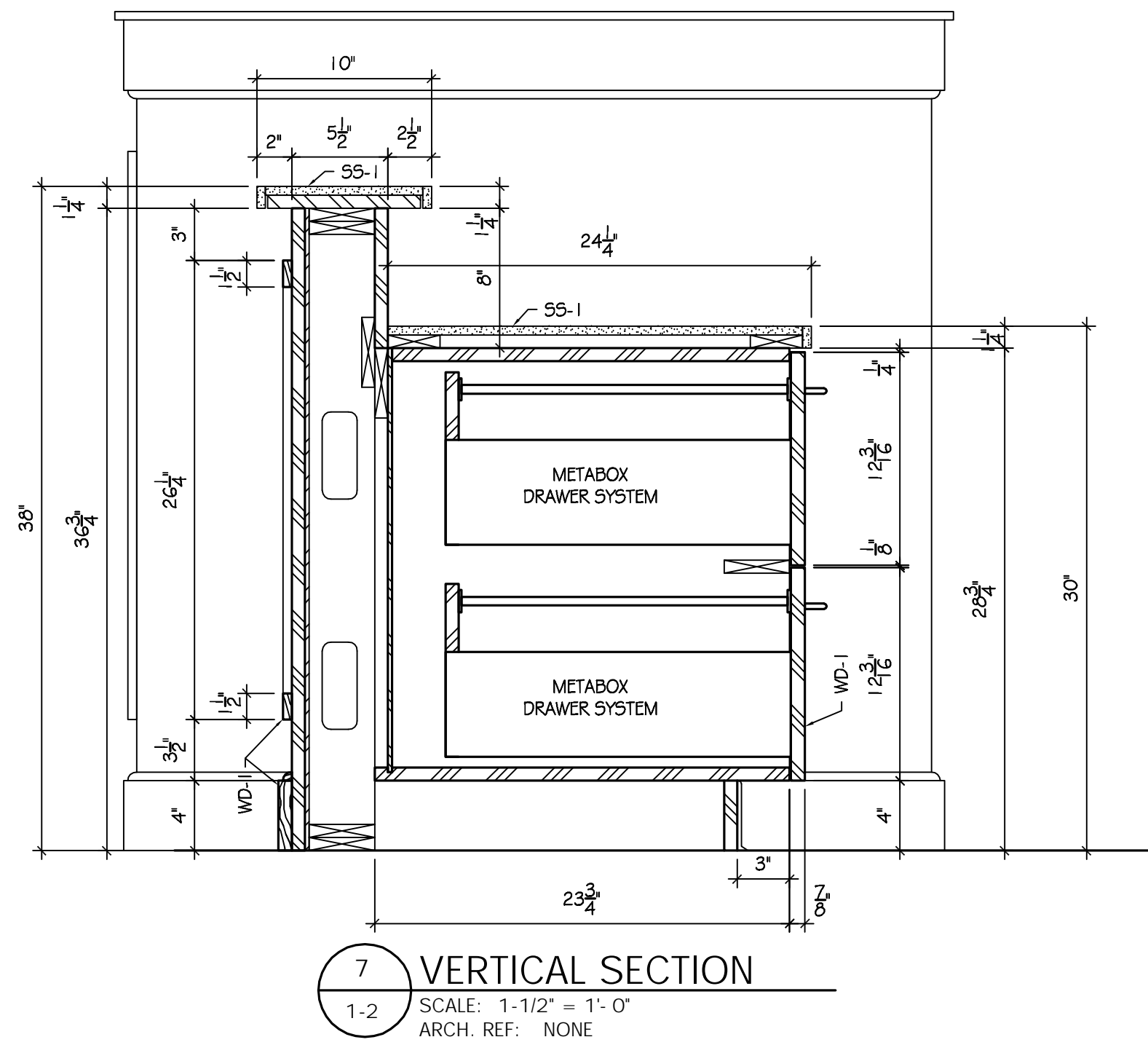
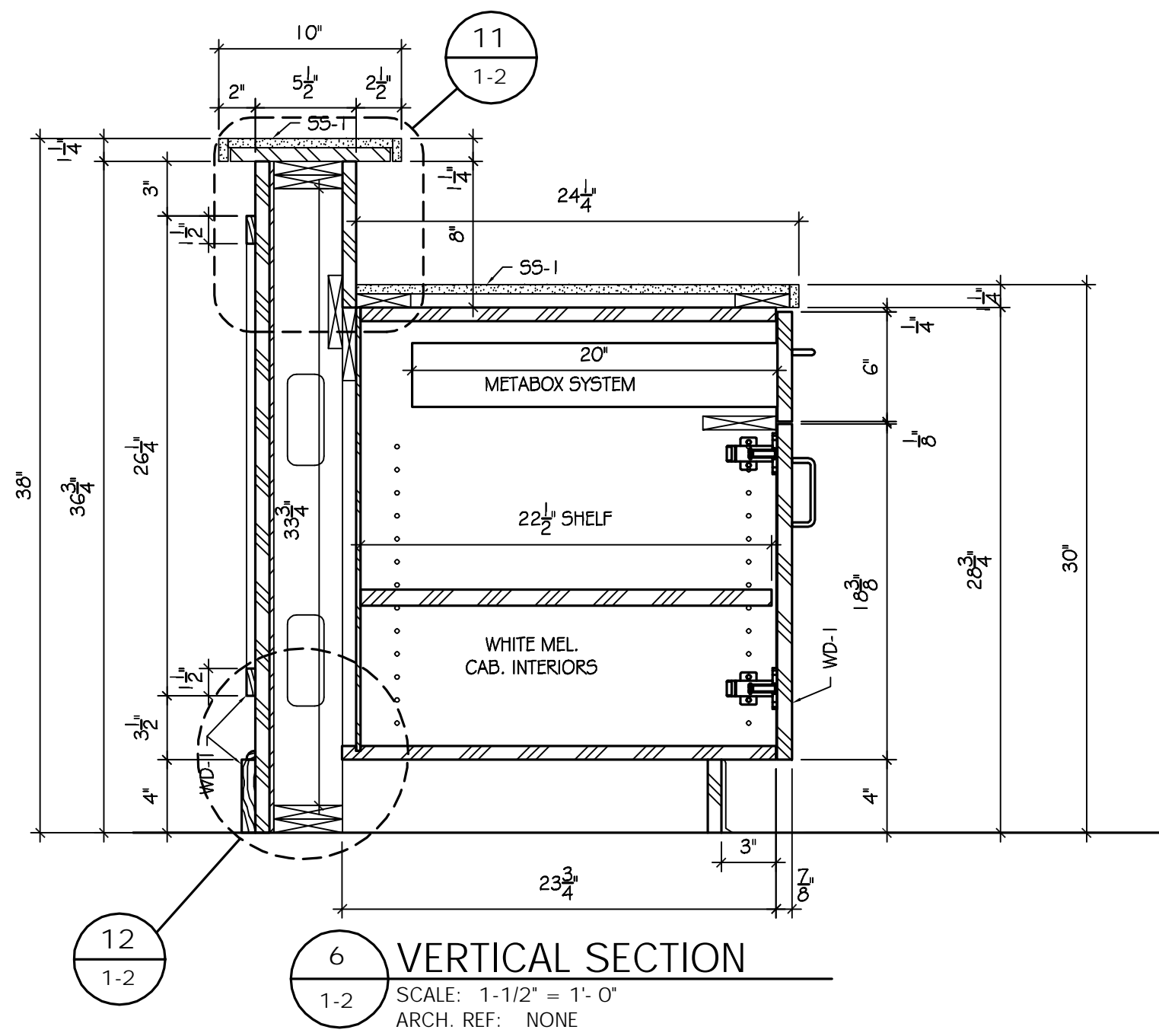
ARCHITECT:  
 GENERAL CONTRACTOR:  
 DESIGNER:

NOTES:  
 SS-1: PLEASE SPECIFY SOLID SURFACE  
 WD-1: OAK SOLID OR VENEER  
 STAINED TO MATCH APPROVED SAMPLE

REVISIONS:

SHEET TITLE:  
**RECEPTION A-1**  
**PLAN & ELEVATIONS**

DRAWN BY: MM | DATE: 08/26/08  
 JOB: | SHEET NO.:



ARCHITECT:  
 GENERAL CONTRACTOR:  
 DESIGNER:  
 NOTES:  
 SS-1: PLEASE SPECIFY SOLID SURFACE  
 WD-1: OAK SOLID OR VENEER  
 STAINED TO MATCH APPROVED SAMPLE

REVISIONS:

SHEET TITLE:  
**RECEPTION A-1  
 PLAN & ELEVATIONS**

DRAWN BY: MM | DATE: 08/26/08  
 JOB: | SHEET NO.