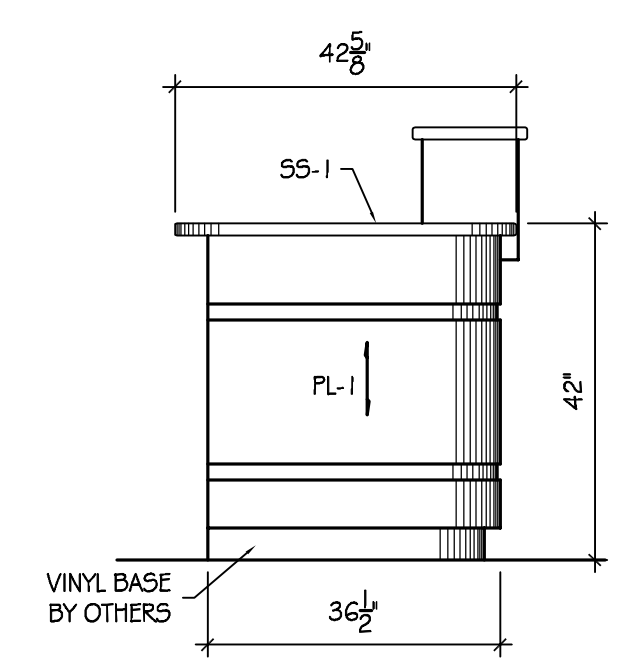
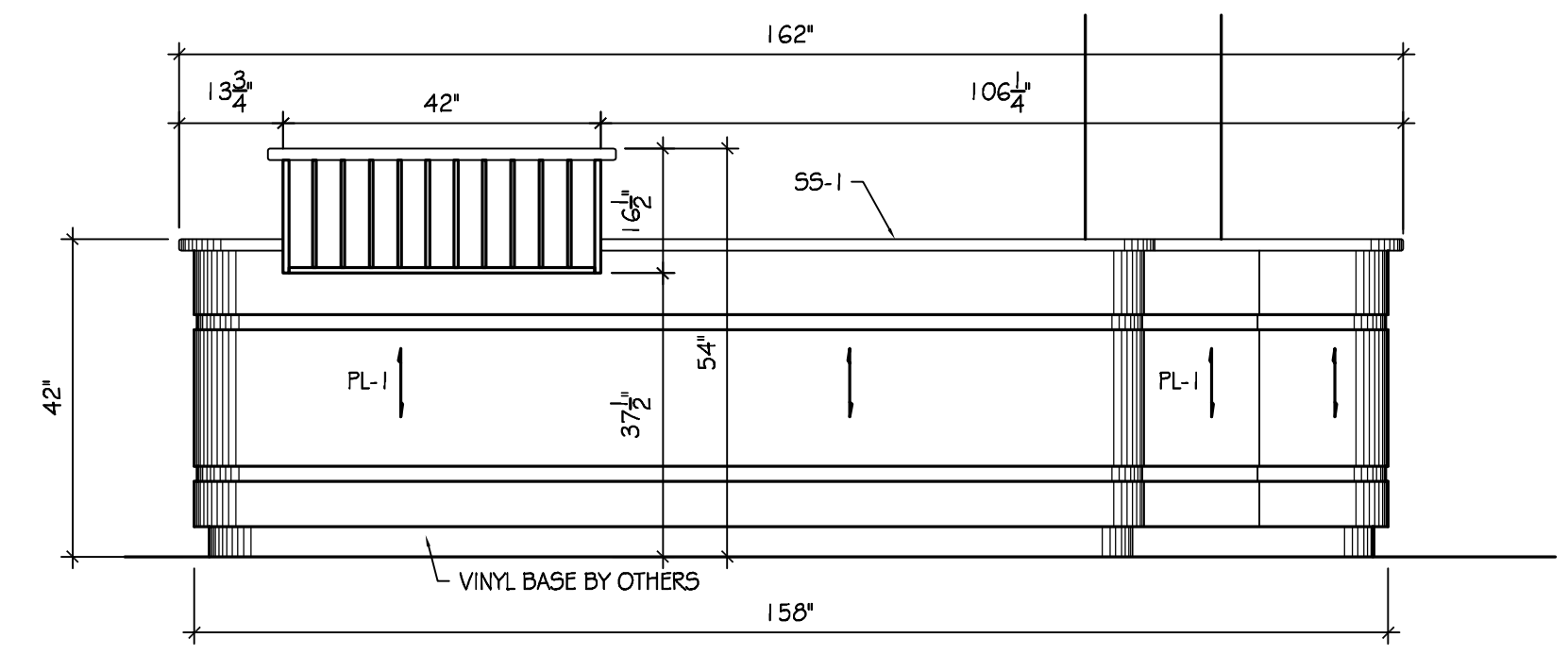


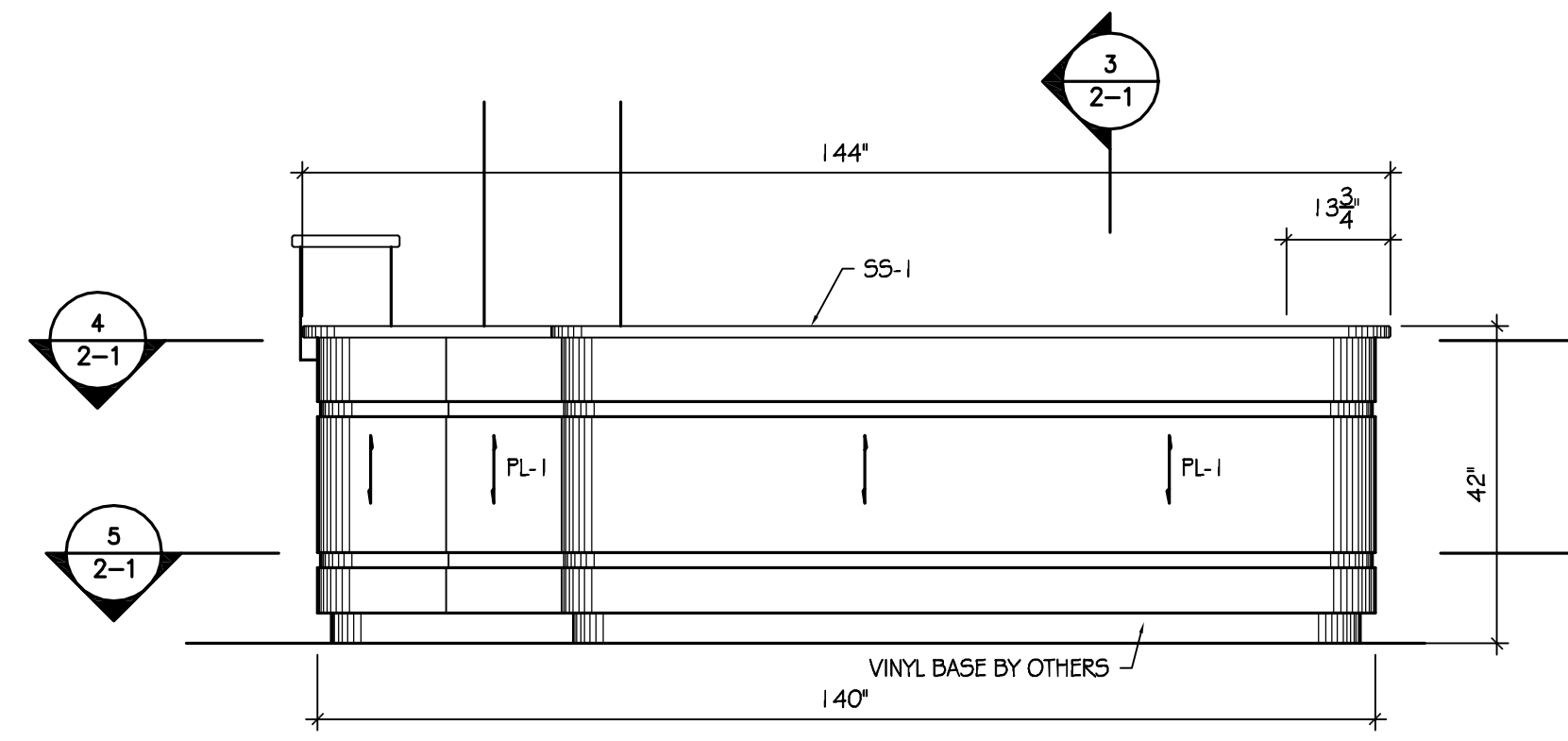
1 PLAN OF NURSE STATION #4
 SCALE: 1/2" = 1'-0"
 ARCH. REF: PL2



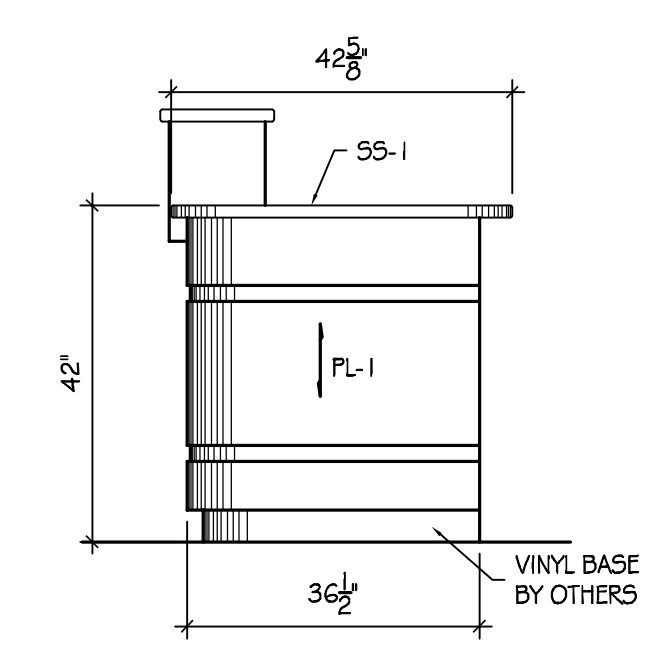
A ELEVATION
 SCALE: 1/2" = 1'-0"
 ARCH. REF: E22



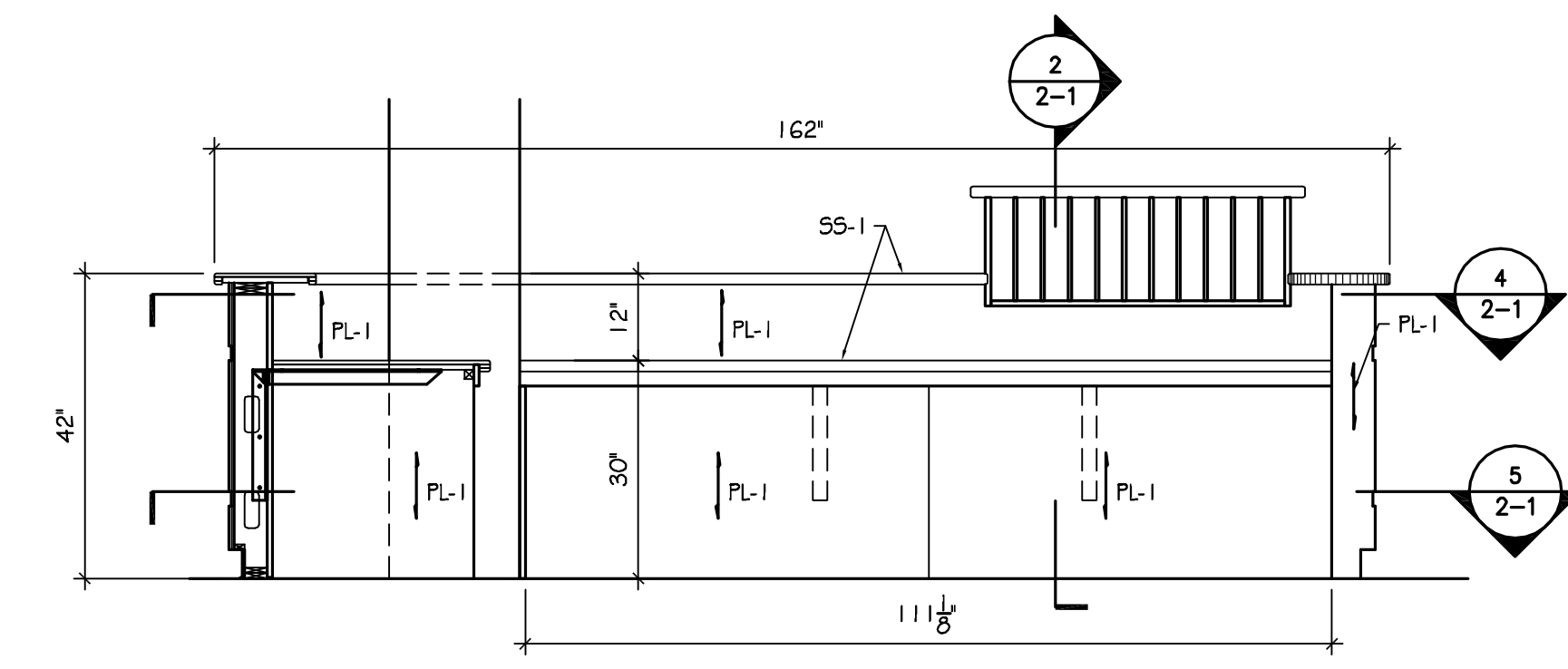
B ELEVATION
 SCALE: 1/2" = 1'-0"
 ARCH. REF: E6



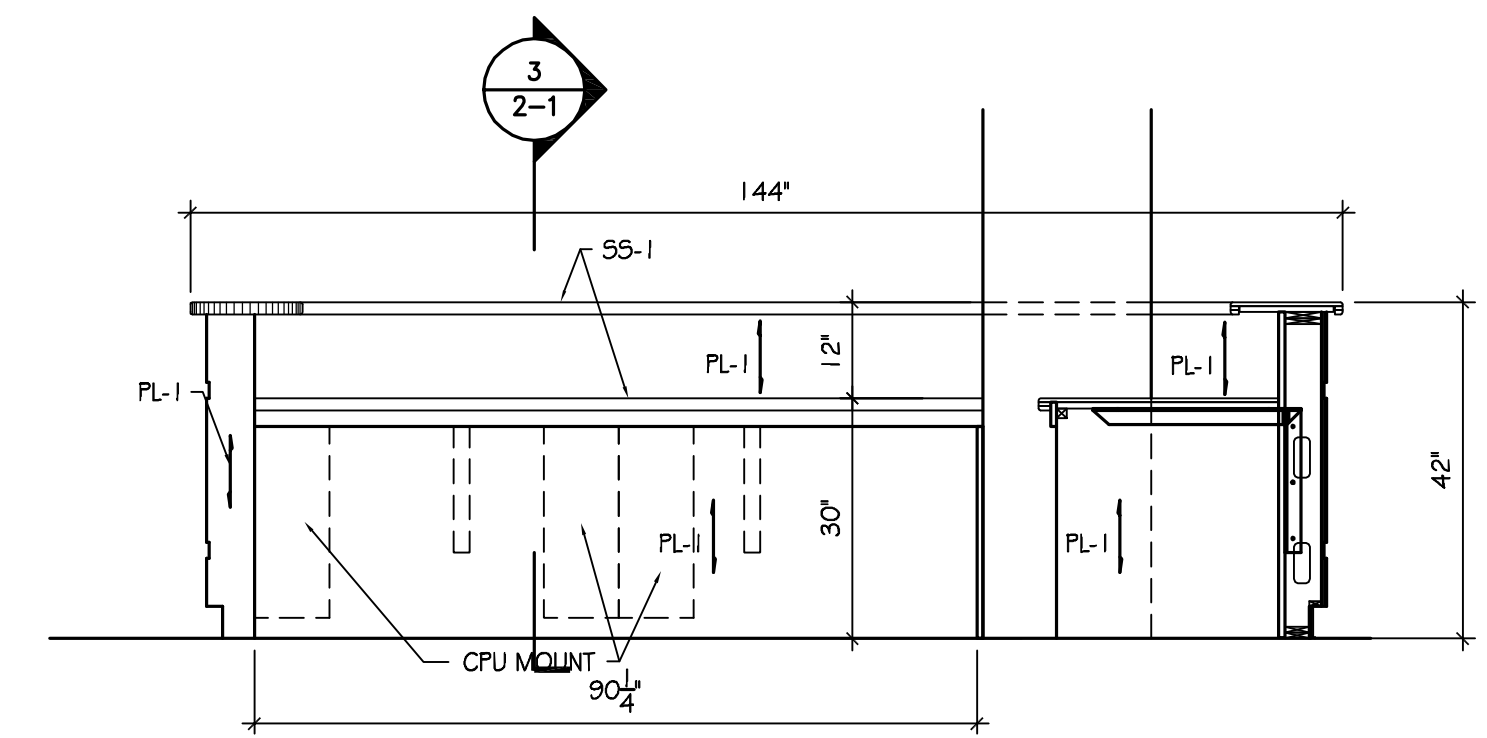
C ELEVATION
 SCALE: 1/2" = 1'-0"
 ARCH. REF: E8



D ELEVATION
 SCALE: 1/2" = 1'-0"
 ARCH. REF: E22



E ELEVATION
 SCALE: 1/2" = 1'-0"
 ARCH. REF: E16



F ELEVATION
 SCALE: 1/2" = 1'-0"
 ARCH. REF: E18

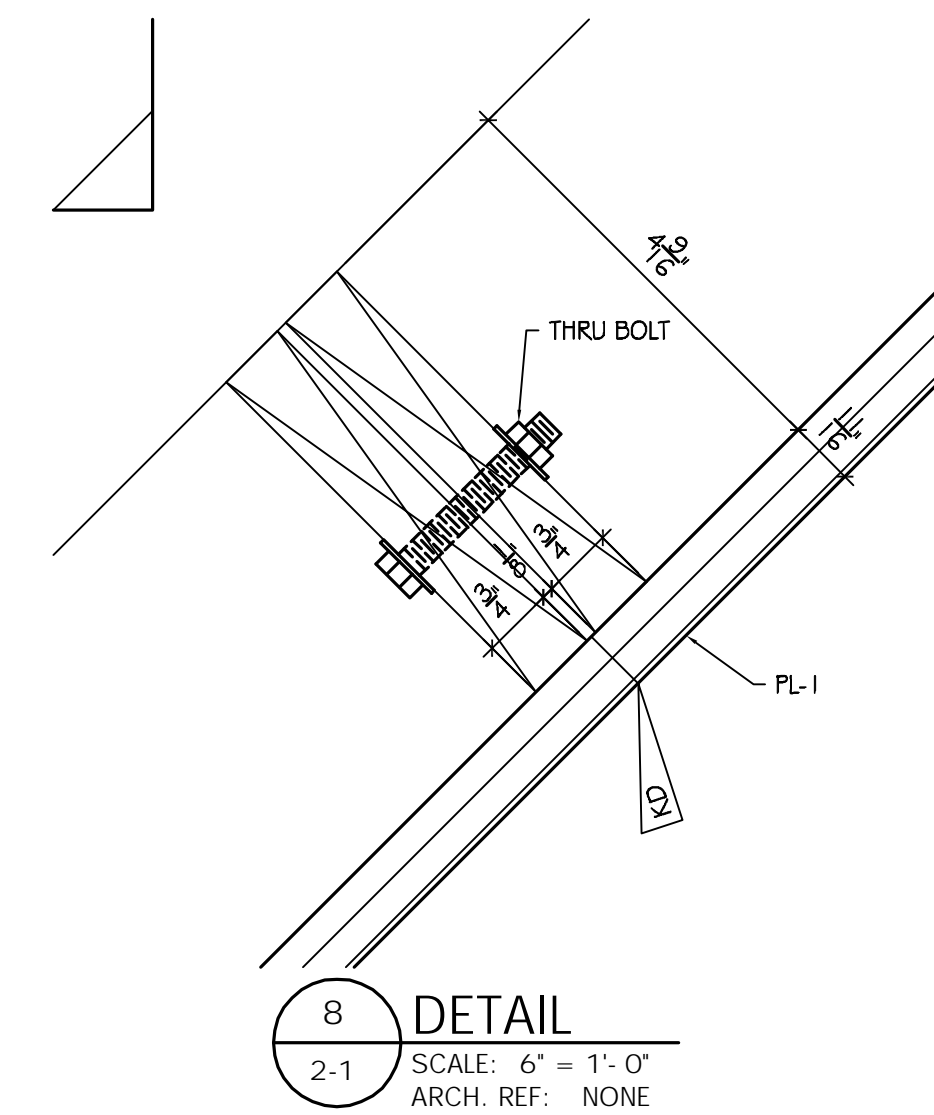
ARCHITECT:
 GENERAL CONTRACTOR:
 DESIGNER:
 NOTES:
 PL-1: WILSONART #7054-60
 "WILD CHERRY"
 SS-1: FORMICA CHAMOIS SPEX 937

REVISIONS:

SHEET TITLE:
 Nurse Station #4
 Plan and Elevations

DRAWN BY: TM | DATE: 09/10/08
 JOB: | SHEET NO.

2-0



ARCHITECT:
GENERAL CONTRACTOR:
DESIGNER:
NOTES:
PL-1: WILSONART #7054-60
"WILD CHERRY"
SS-1: FORMICA CHAMOIS SPEX 937

REVISIONS:

SHEET TITLE:
**Nurse Station #4
Sections and Details**

DRAWN BY: TM | DATE: 09/10/08
JOB: | SHEET NO.

2-1

