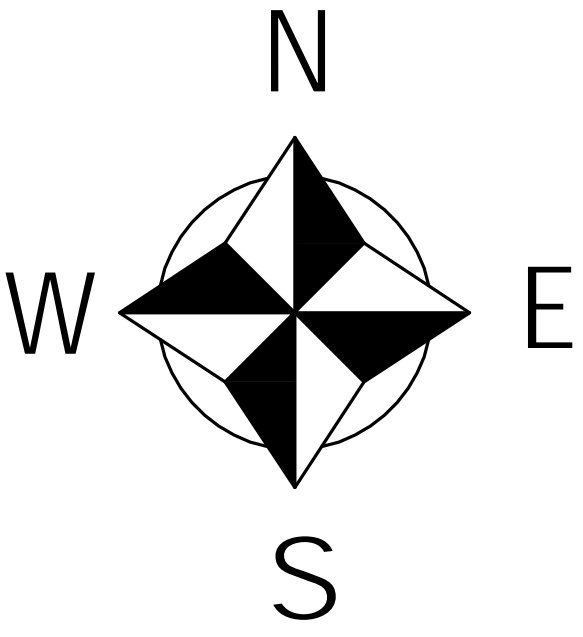


1 PLAN OF ATRIUM LOBBY, ROOM 1
 2-0 SCALE: 1/2" = 1'-0"
 ARCH. REF: A101



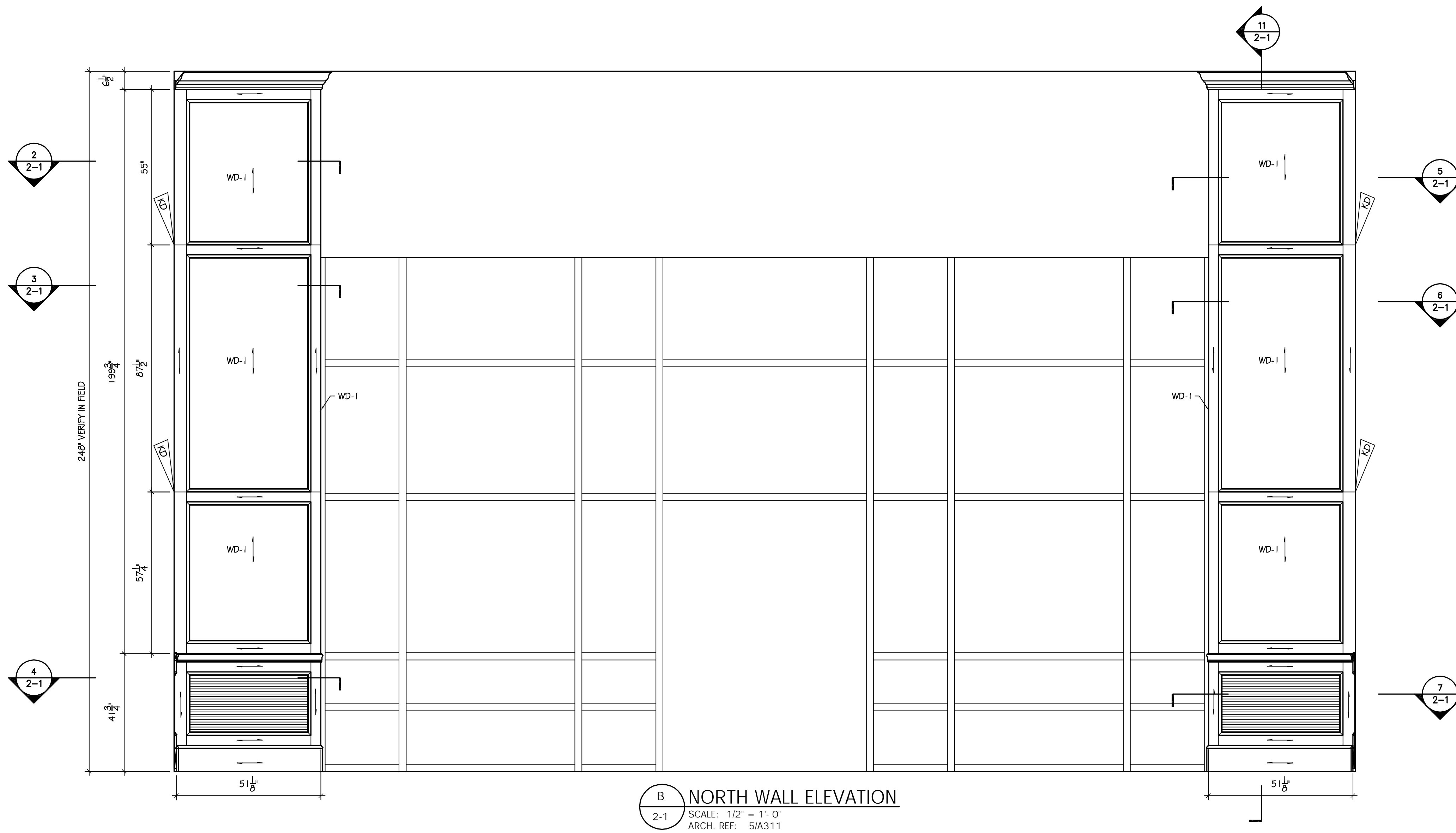
ARCHITECT:
 GENERAL CONTRACTOR:
 DESIGNER:
 NOTES:

REVISIONS:

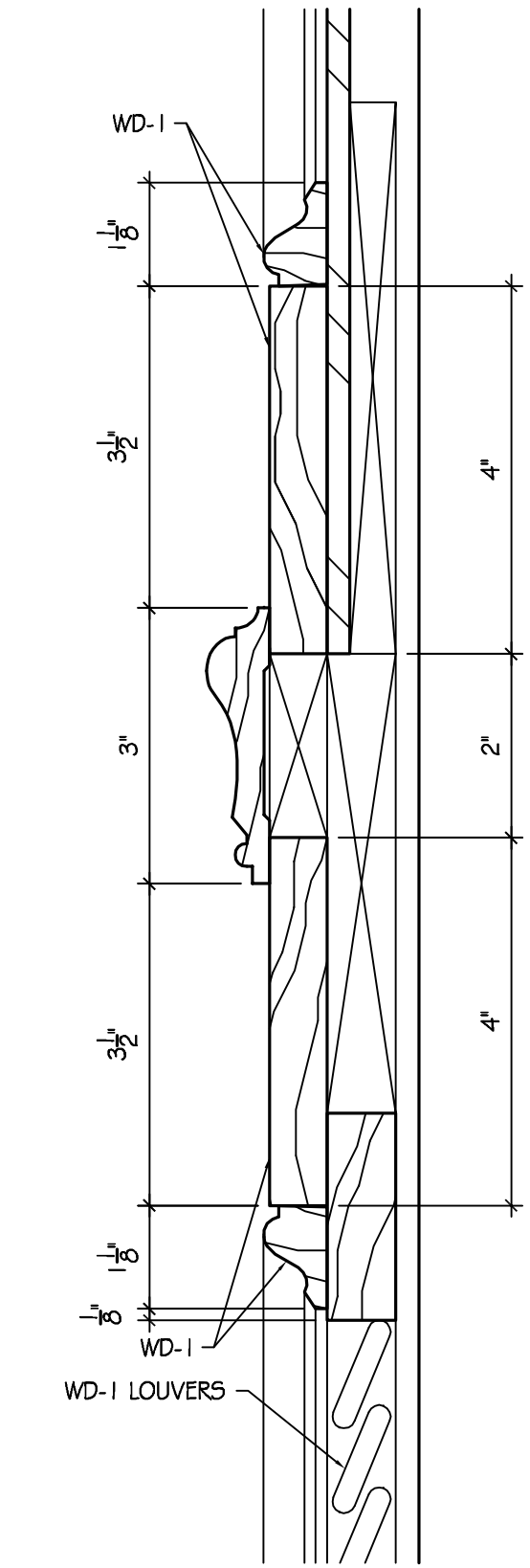
SHEET TITLE:
 LAYOUT PLAN
 OF ATRIUM LOBBY

DRAWN BY: TM | DATE: 04/16/08
 JOB: | SHEET NO.

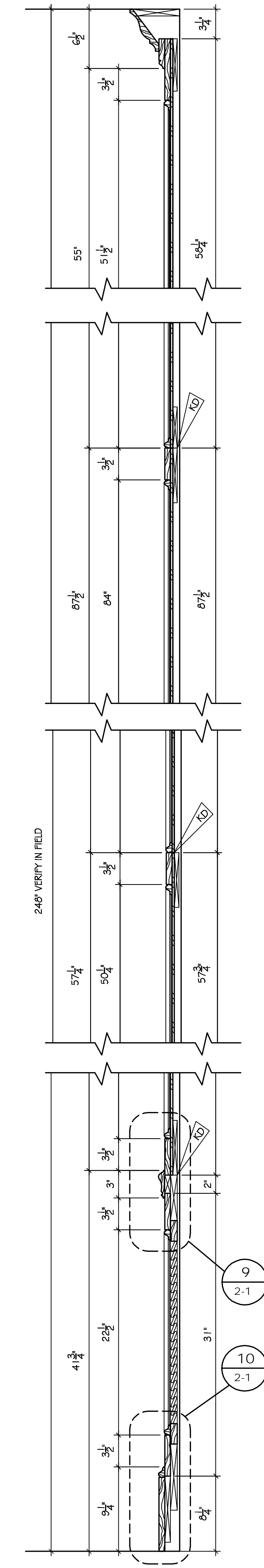
2-0



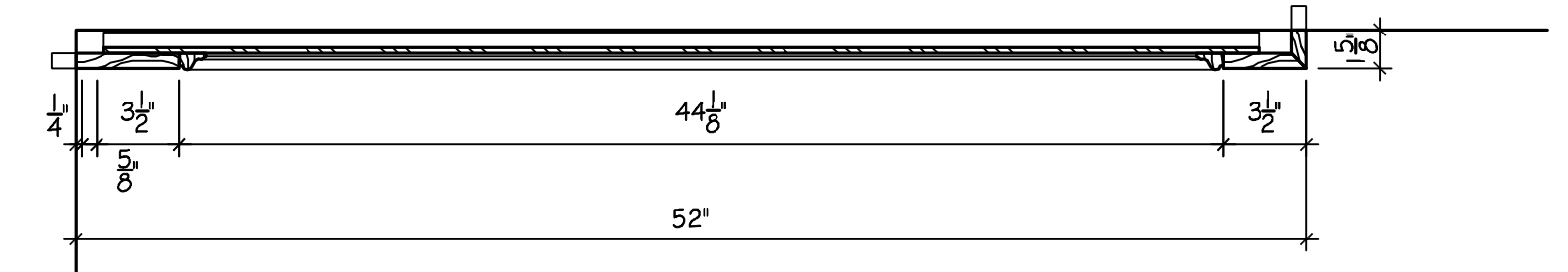
B NORTH WALL ELEVATION
 2-1 SCALE: 1/2" = 1'-0"
 ARCH. REF: 5/A311



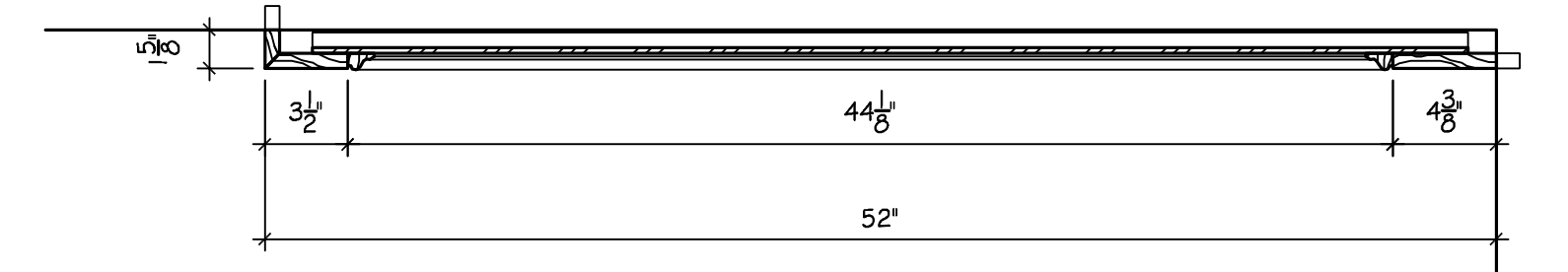
9 DETAIL
 2-1 SCALE: 6" = 1'-0"
 ARCH. REF: NONE



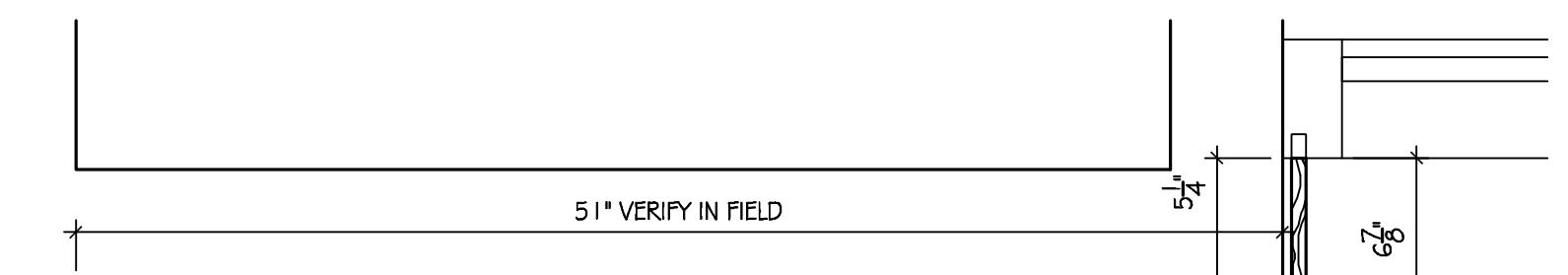
11 VERTICAL SECTION
 2-1 SCALE: 1-1/2" = 1'-0"
 ARCH. REF: NONE



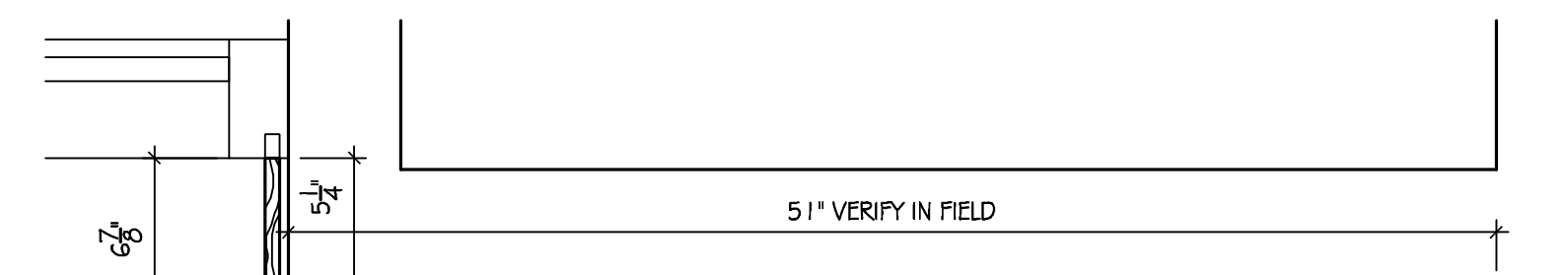
2 HORIZONTAL SECTION
 2-1 SCALE: 1-1/2" = 1'-0"
 ARCH. REF: NONE



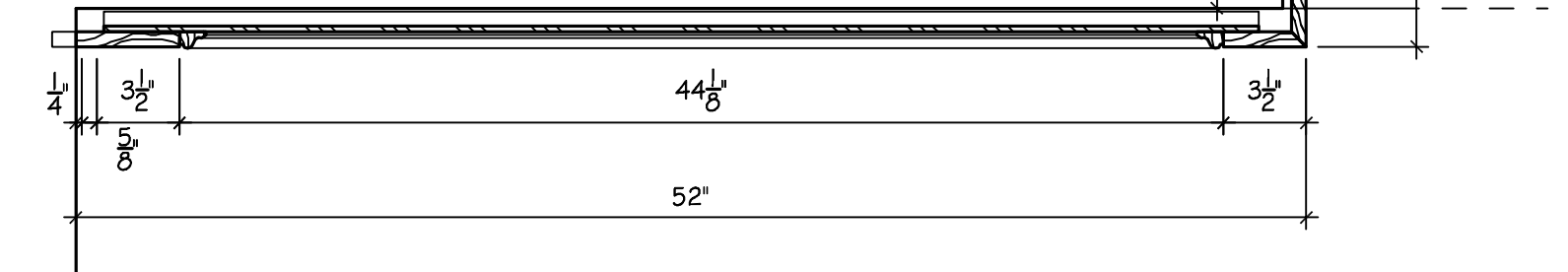
5 HORIZONTAL SECTION
 2-1 SCALE: 1-1/2" = 1'-0"
 ARCH. REF: NONE



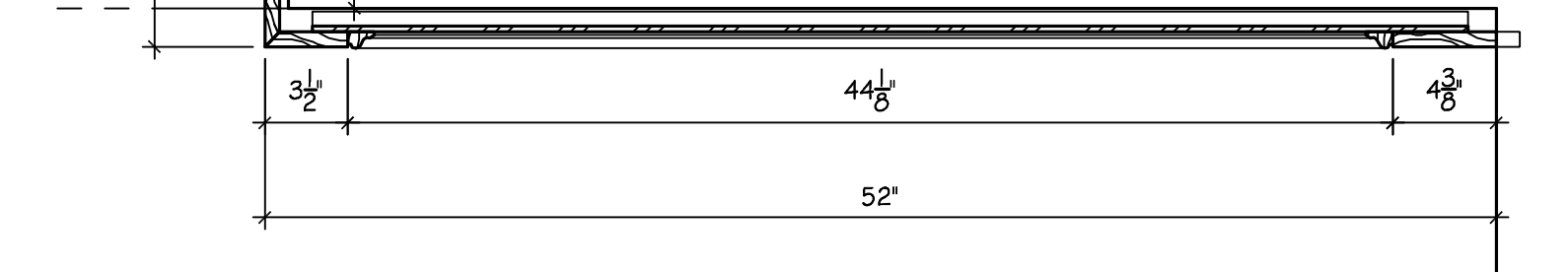
3 HORIZONTAL SECTION
 2-1 SCALE: 1-1/2" = 1'-0"
 ARCH. REF: NONE



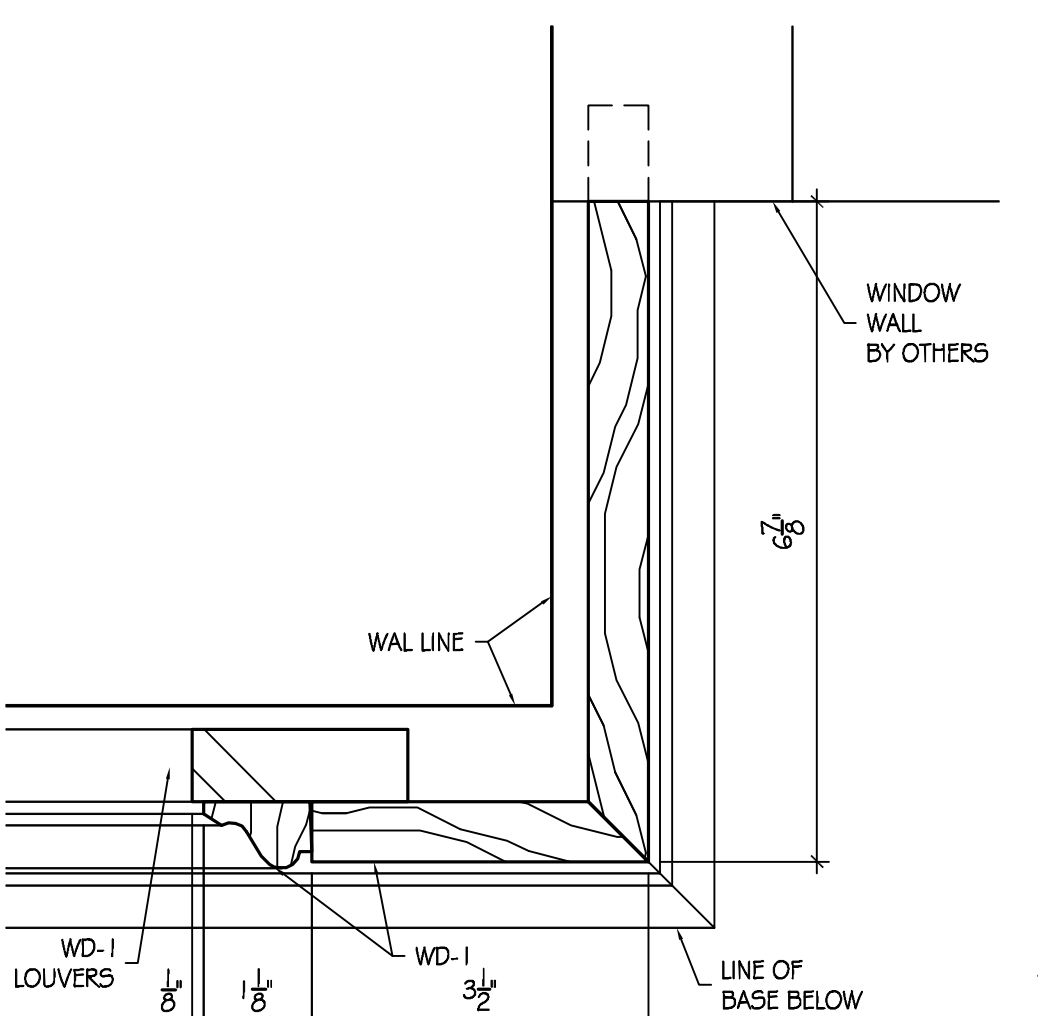
6 HORIZONTAL SECTION
 2-1 SCALE: 1-1/2" = 1'-0"
 ARCH. REF: NONE



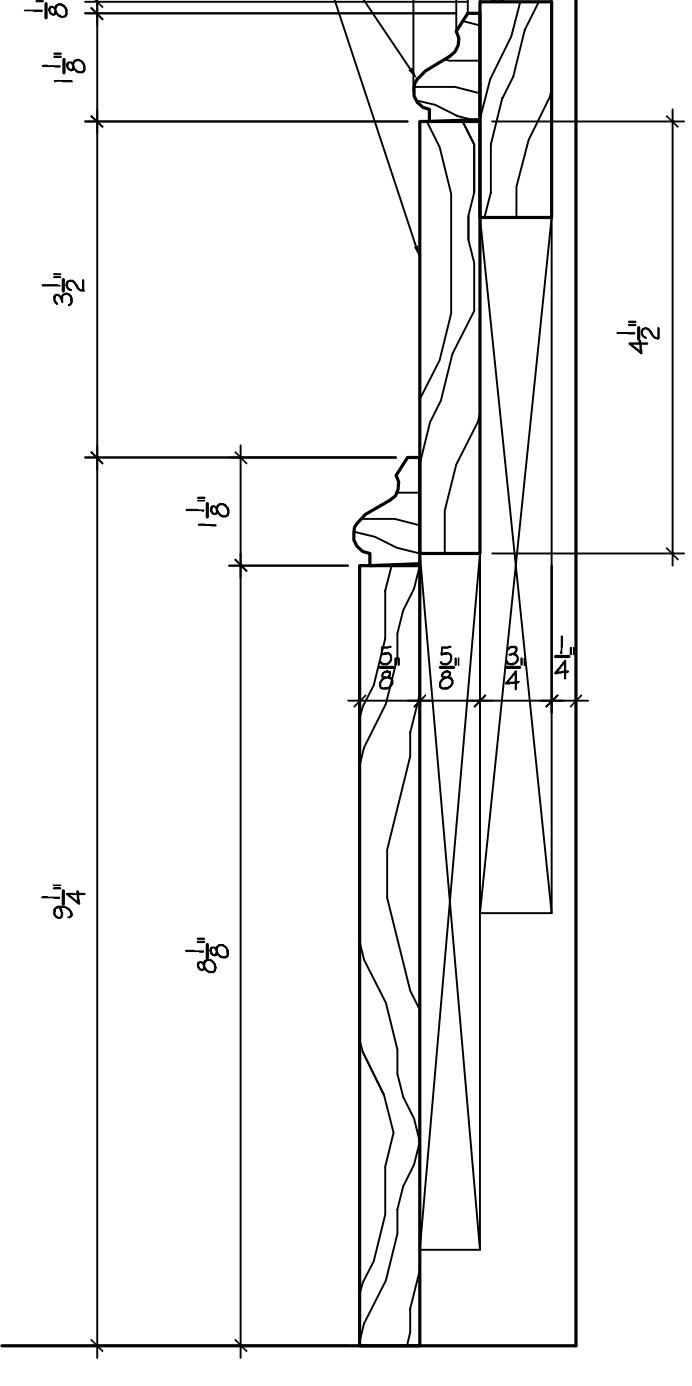
4 HORIZONTAL SECTION
 2-1 SCALE: 1-1/2" = 1'-0"
 ARCH. REF: NONE



7 HORIZONTAL SECTION
 2-1 SCALE: 1-1/2" = 1'-0"
 ARCH. REF: NONE



8 DETAIL
 2-1 SCALE: 6" = 1'-0"
 ARCH. REF: NONE



10 DETAIL
 2-1 SCALE: 6" = 1'-0"
 ARCH. REF: NONE



ARCHITECT:
 GENERAL CONTRACTOR:
 DESIGNER:
 NOTES:
 WD-1: SOLID OR VENEER
 PLAIN SLICED SAPELE,
 FINISHED TO MATCH APPROVED SAMPLE

REVISIONS:

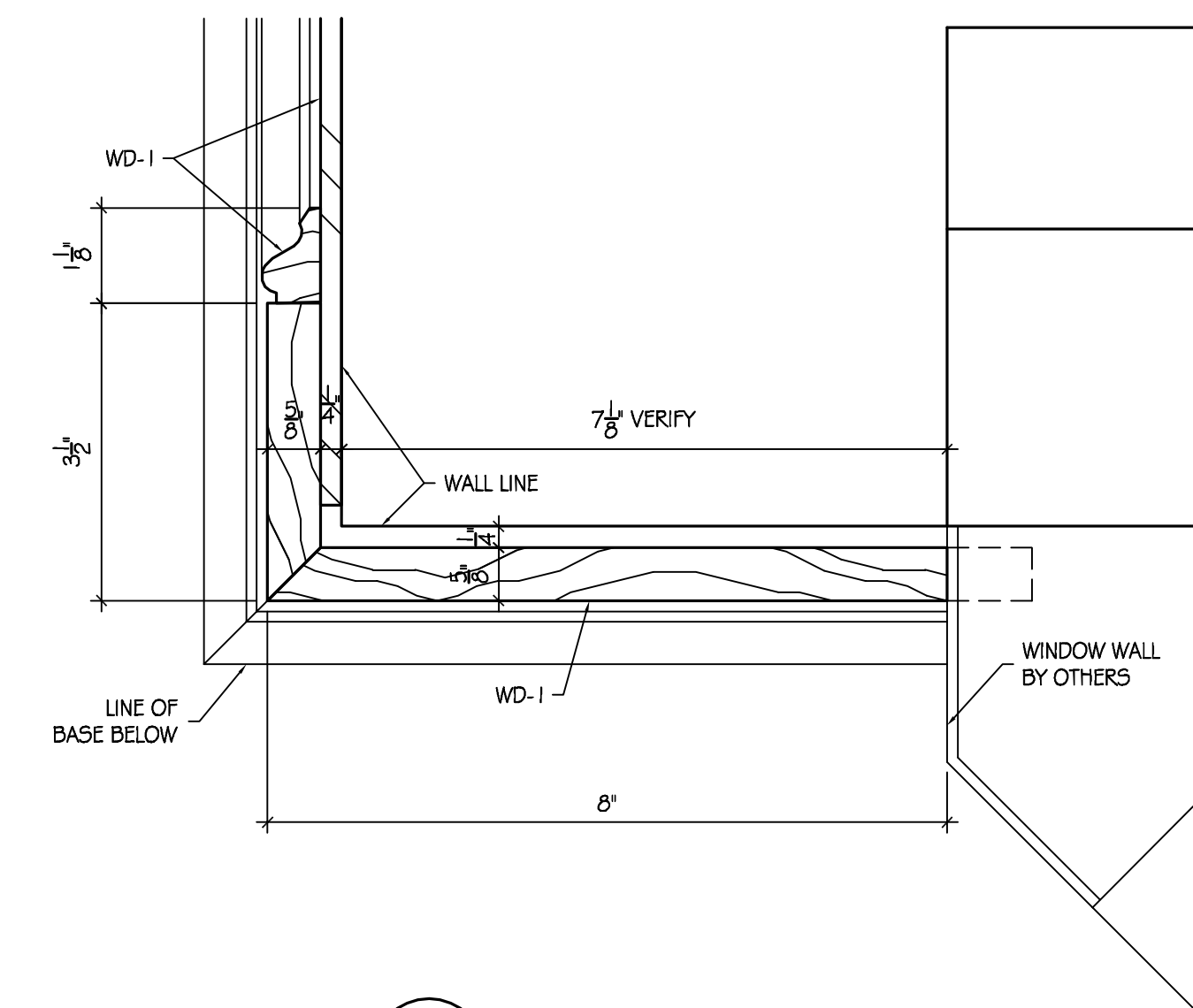
SHEET TITLE:
**NORTH WALL
 ELEVATION & SECTIONS**

DRAWN BY: TM | DATE: 04/16/08
 JOB: | SHEET NO.

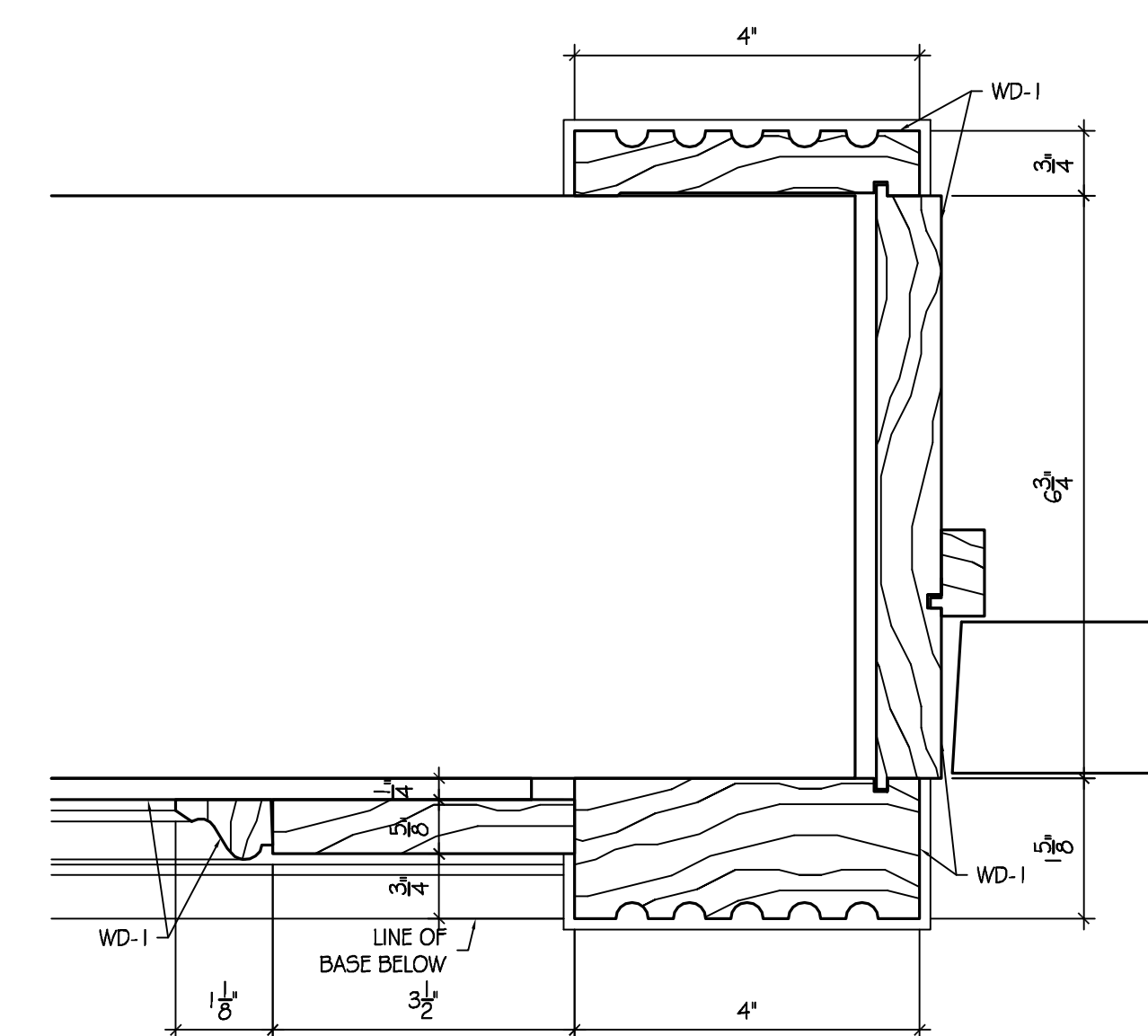
2-1



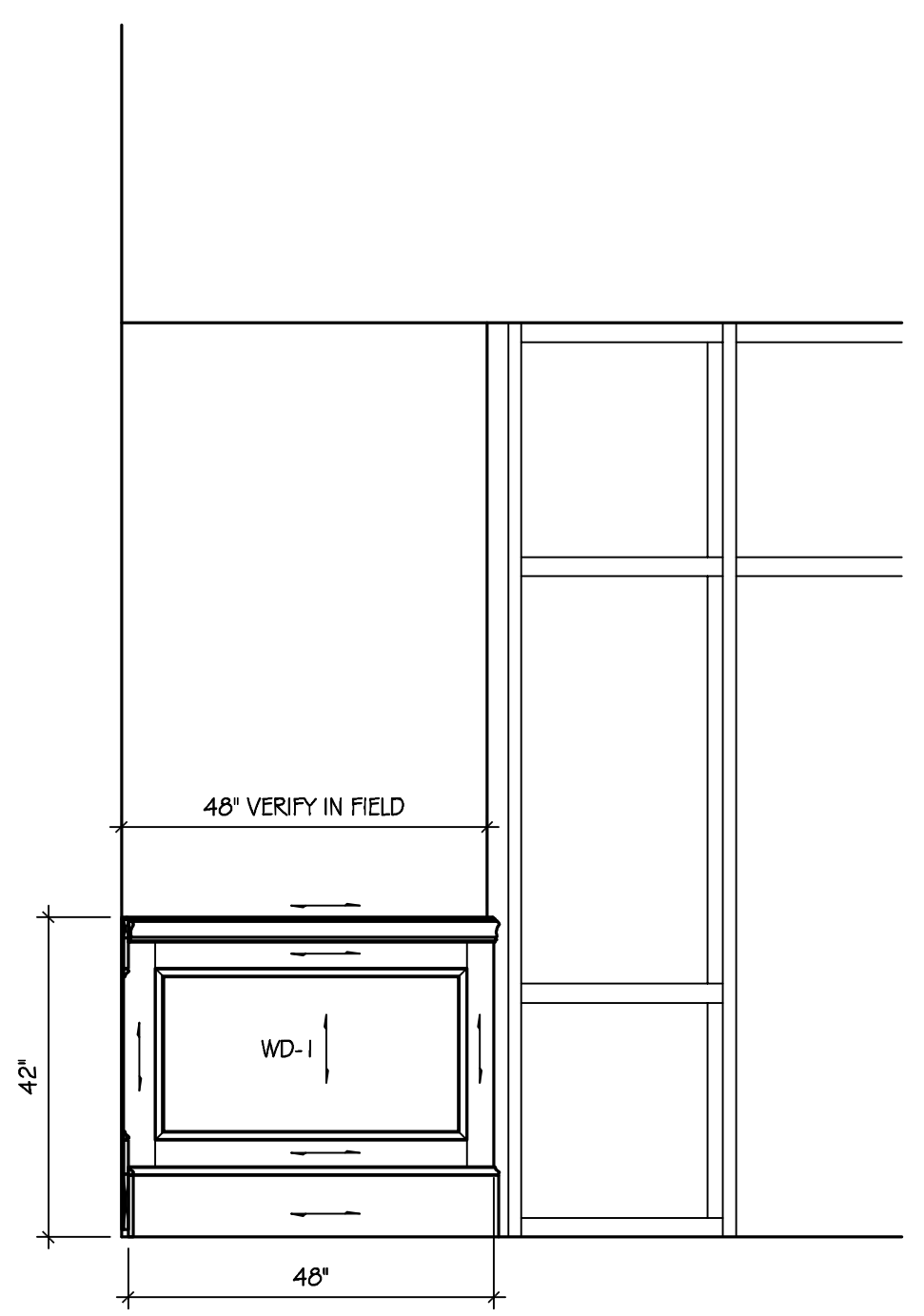
ARCHITECT:
 GENERAL CONTRACTOR:
 DESIGNER:
 NOTES:
 WD-1: SOLID OR VENEER PLAIN SLICED SAPELE, FINISHED TO MATCH APPROVED SAMPLE



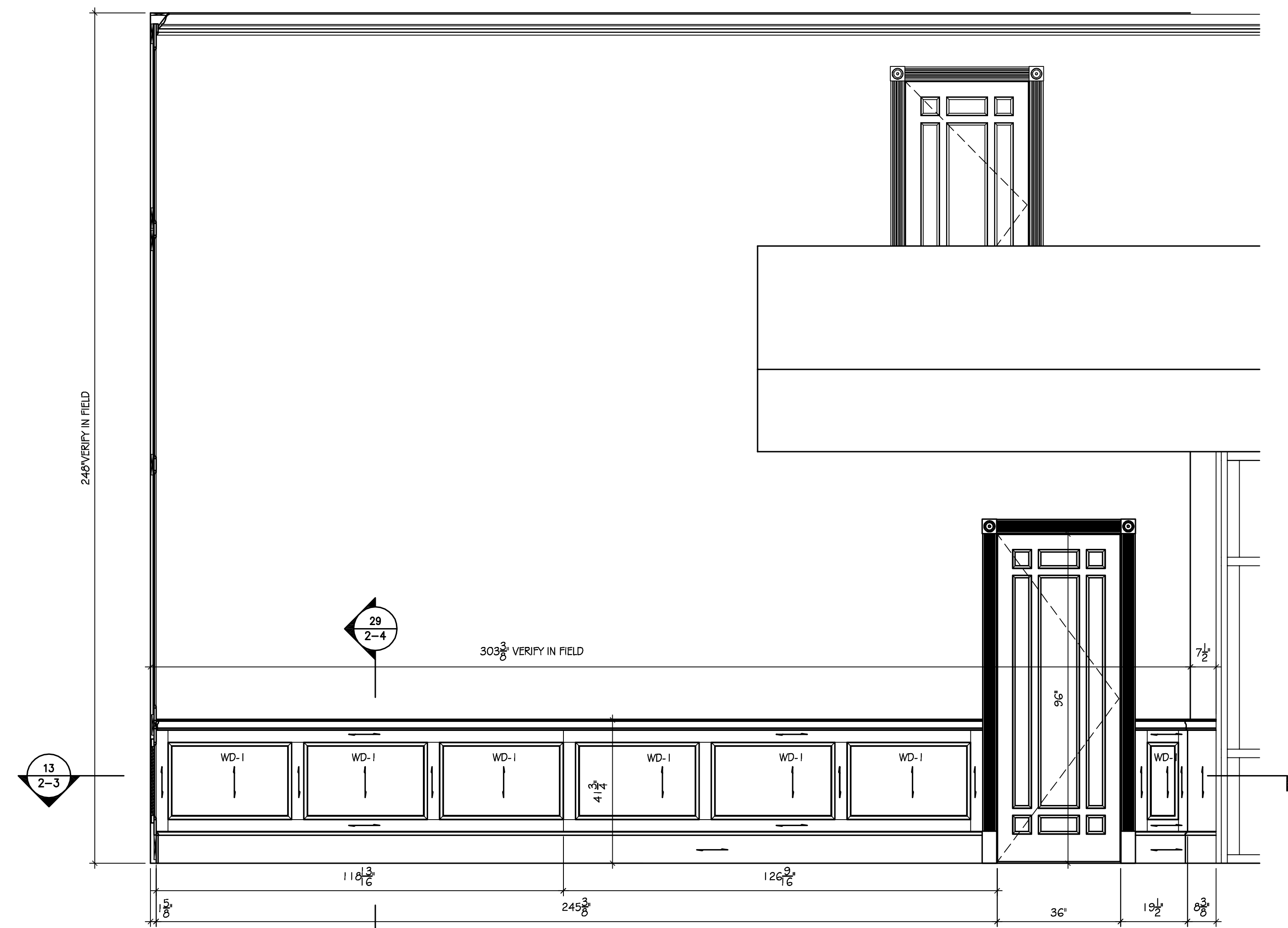
17 DETAIL
 2-3 SCALE: 6" = 1'-0"
 ARCH. REF: NONE



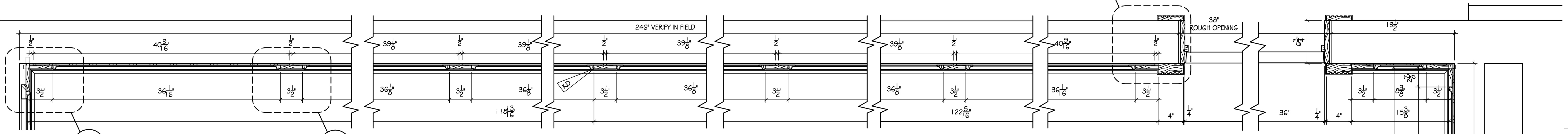
18 DETAIL
 2-3 SCALE: 6" = 1'-0"
 ARCH. REF: NONE



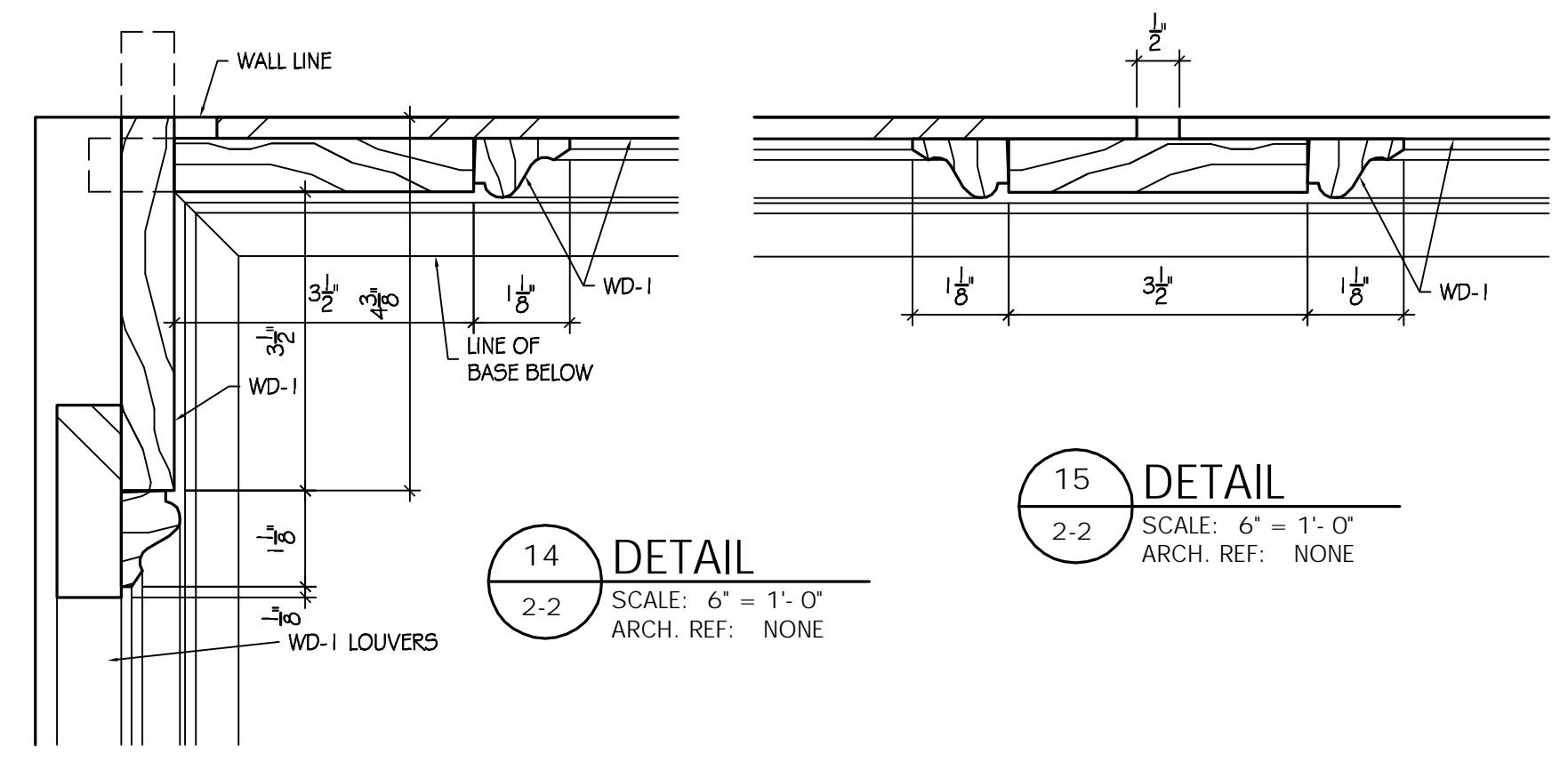
C SOUTH WALL ELEVATION
 2-2 SCALE: 1/2" = 1'-0"
 ARCH. REF: 1/A311



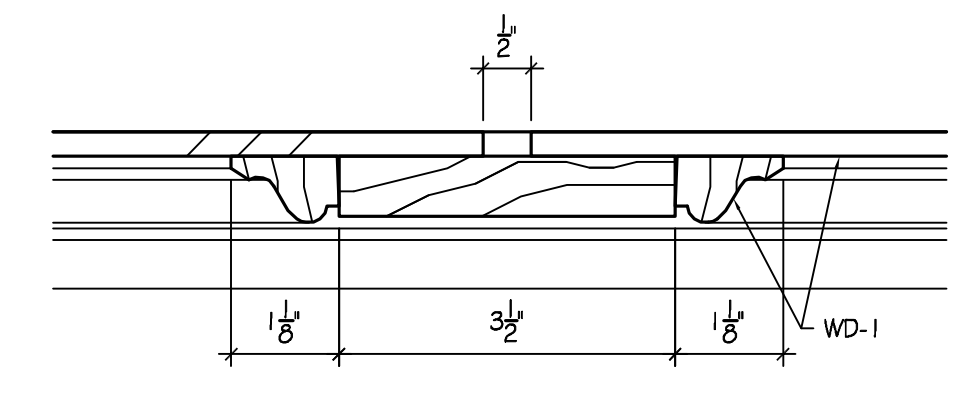
B EAST WALL ELEVATION
 2-2 SCALE: 1/2" = 1'-0"
 ARCH. REF: 4/A311



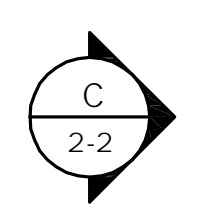
13 HORIZONTAL SECTION
 2-2 SCALE: 1-1/2" = 1'-0"
 ARCH. REF: NONE



14 DETAIL
 2-2 SCALE: 6" = 1'-0"
 ARCH. REF: NONE



15 DETAIL
 2-2 SCALE: 6" = 1'-0"
 ARCH. REF: NONE

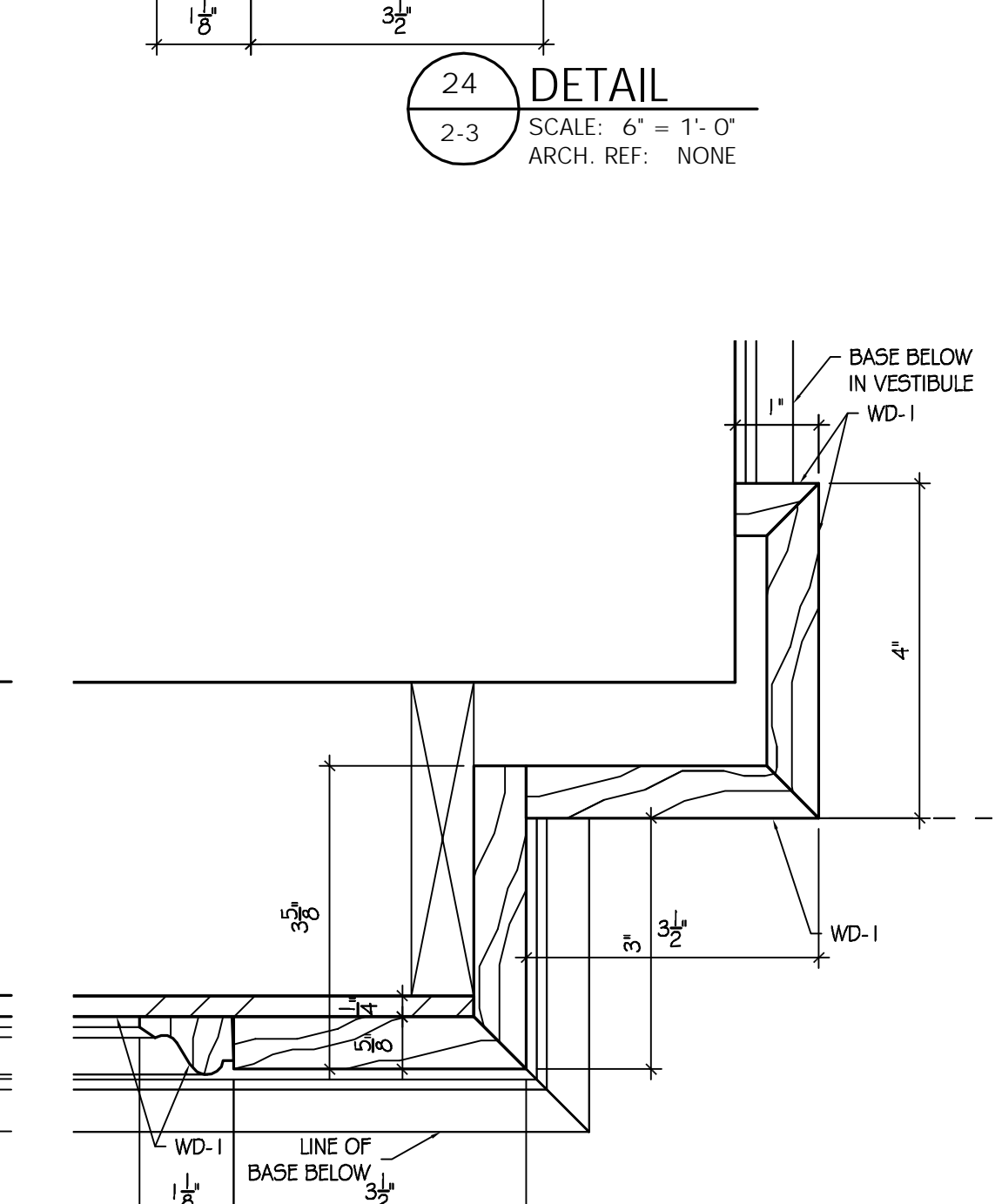
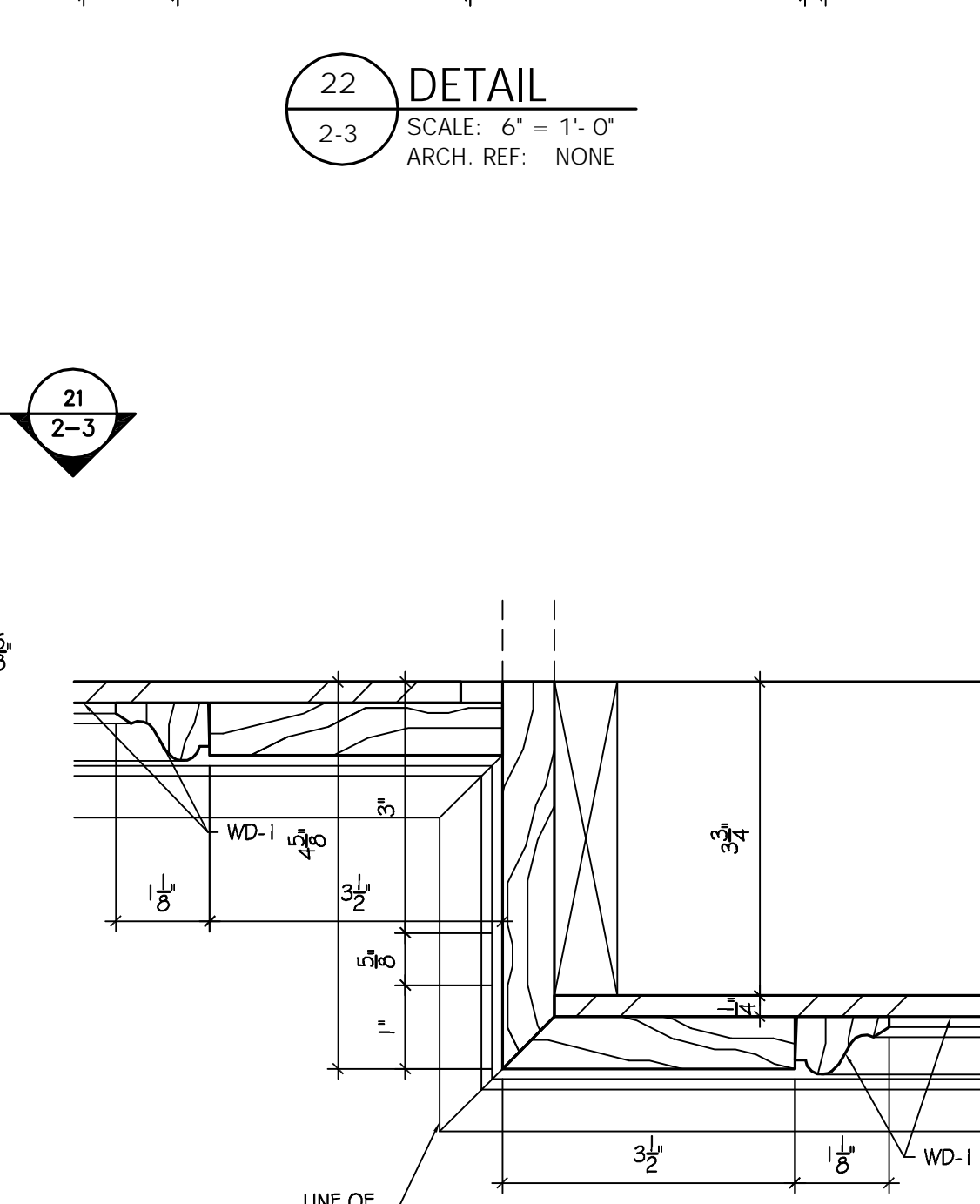
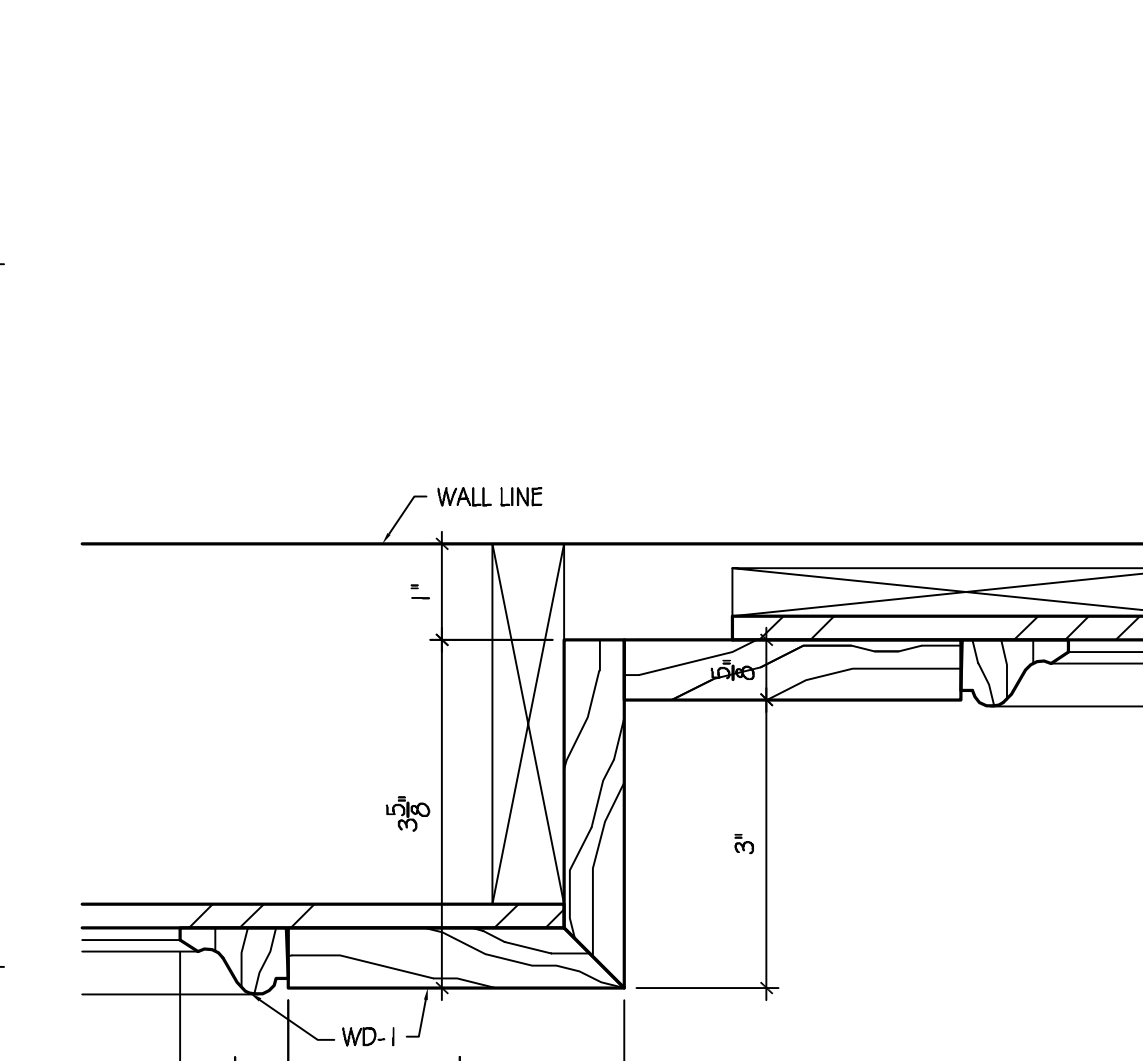
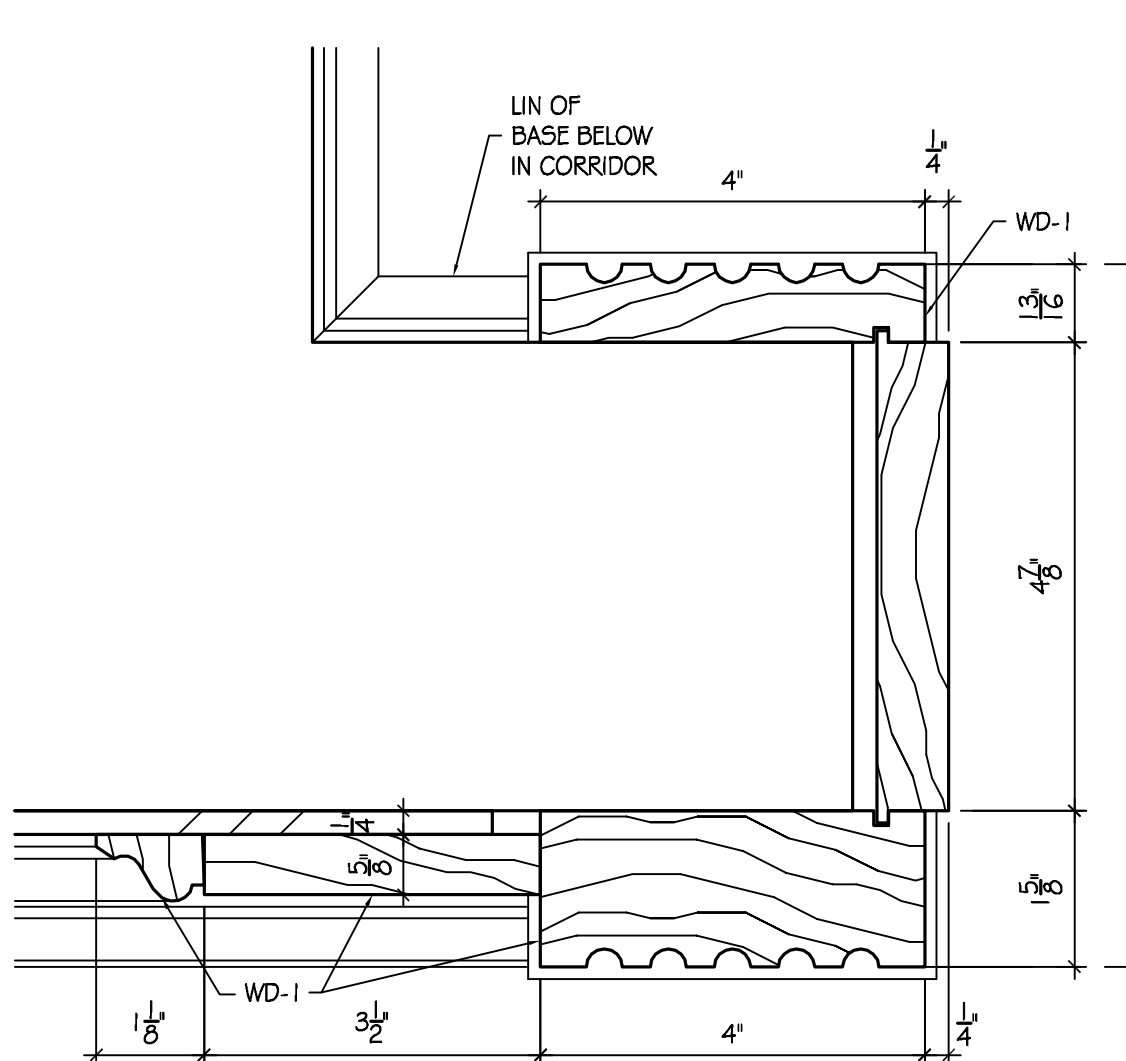
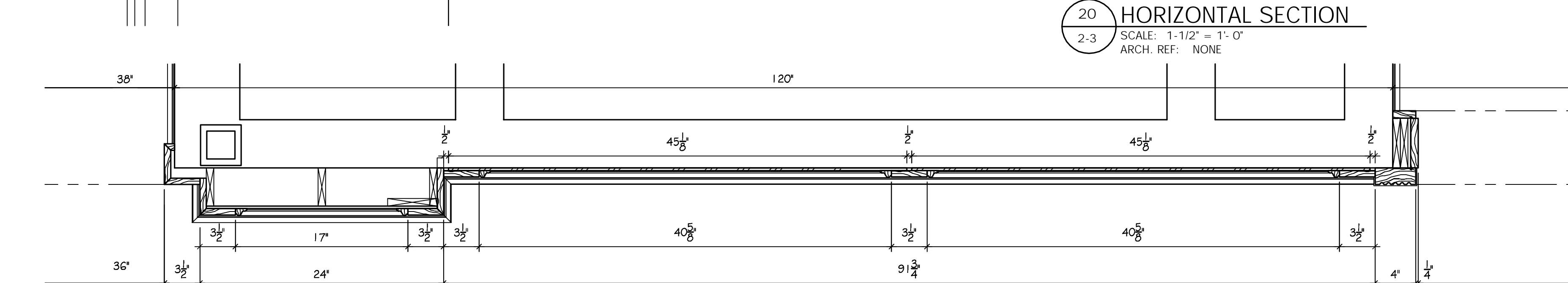
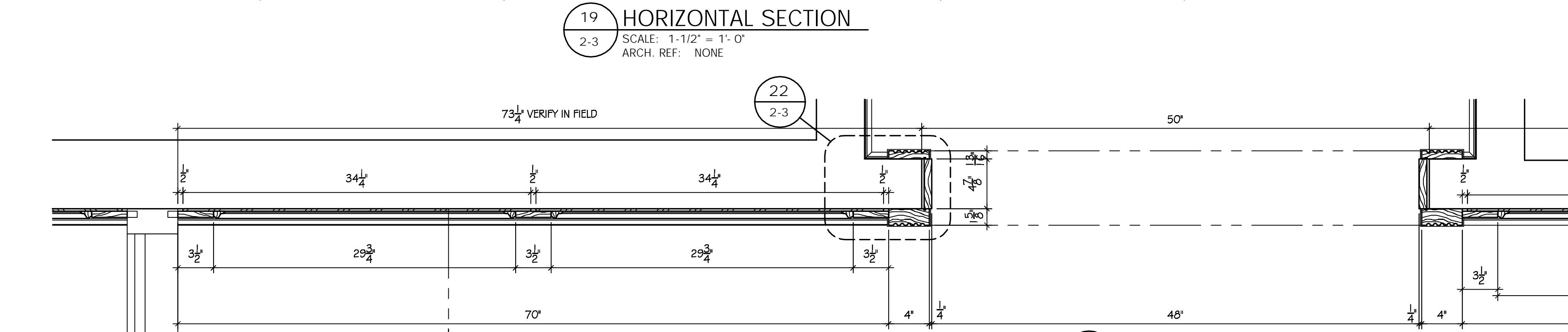
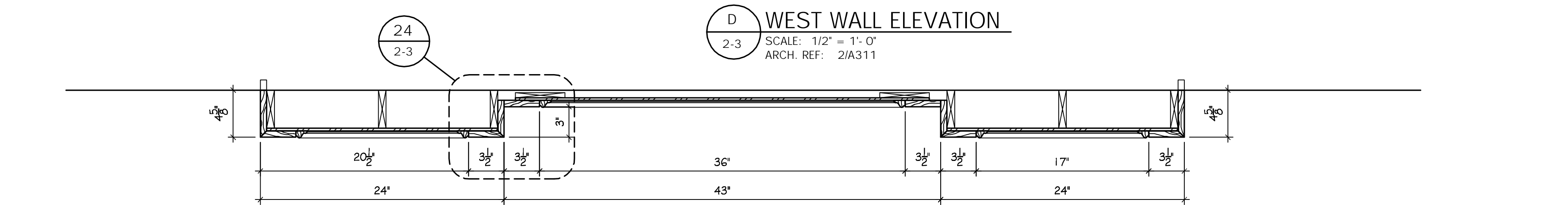
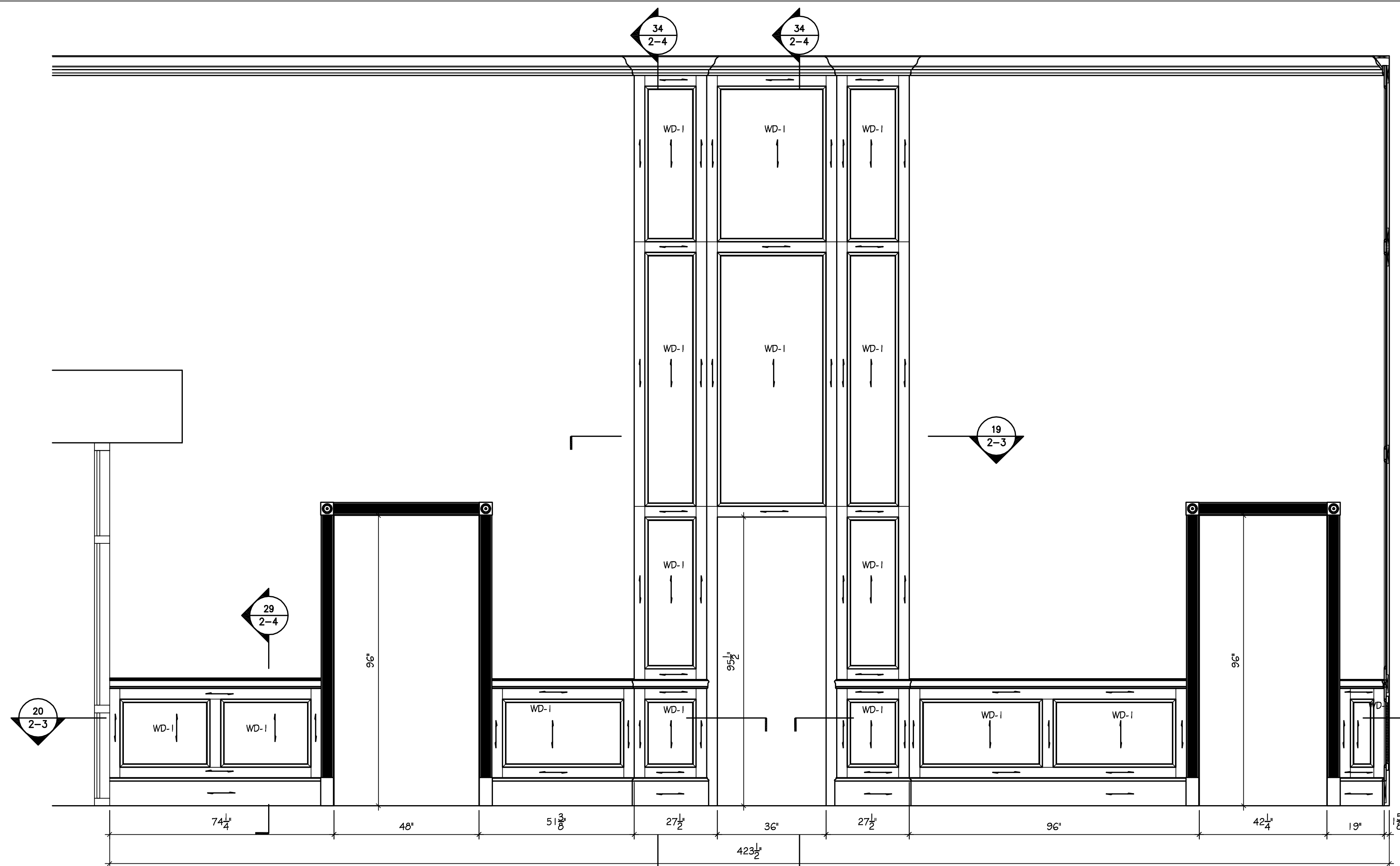


17 2-2

REVISIONS:

SHEET TITLE:
EAST & SOUTH WALL ELEVATION & SECTIONS
 DRAWN BY: TM DATE: 04/16/08
 JOB: SHEET NO.

2-2



ARCHITECT:
 GENERAL CONTRACTOR:
 DESIGNER:
 NOTES:
 WD-1: SOLID OR VENEER
 PLAIN SLICED SAPELE,
 FINISHED TO MATCH APPROVED SAMPLE

REVISIONS:

SHEET TITLE:
**WEST WALL
 ELEVATION & SECTIONS**
 DRAWN BY: TM | DATE: 04/16/08
 JOB: | SHEET NO.



ARCHITECT:
GENERAL CONTRACTOR:
DESIGNER:

NOTES:

WD-1: SOLID OR VENEER
PLAIN SLICED SAPELE,
FINISHED TO MATCH APPROVED SAMPLE

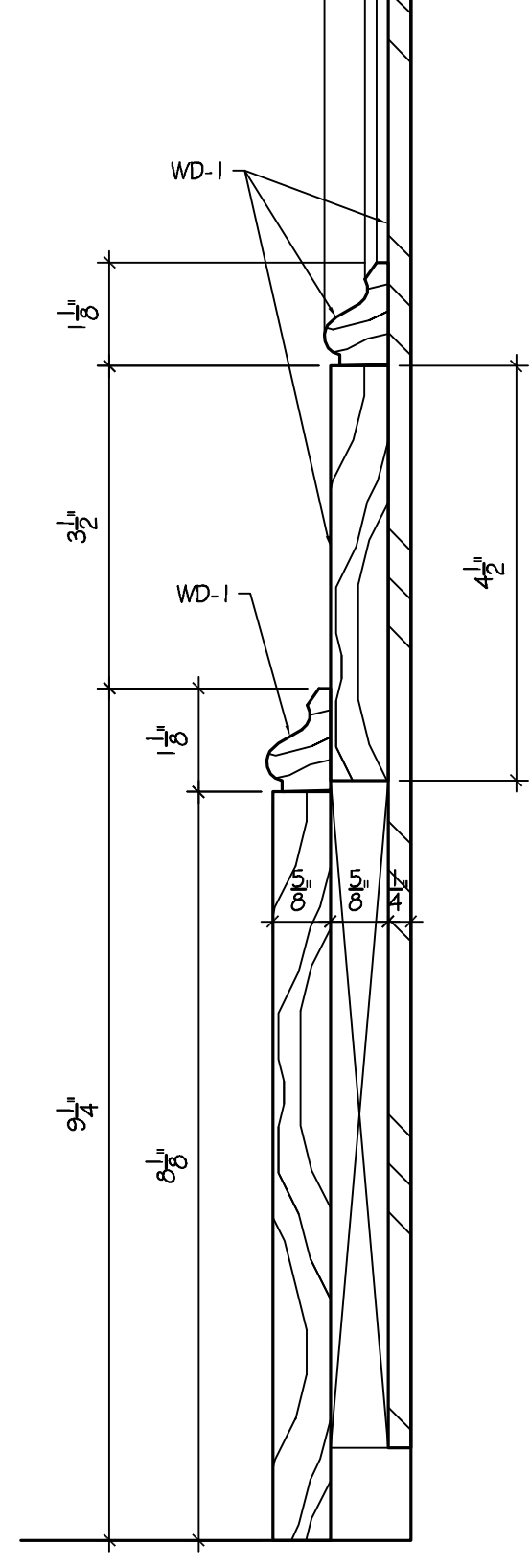
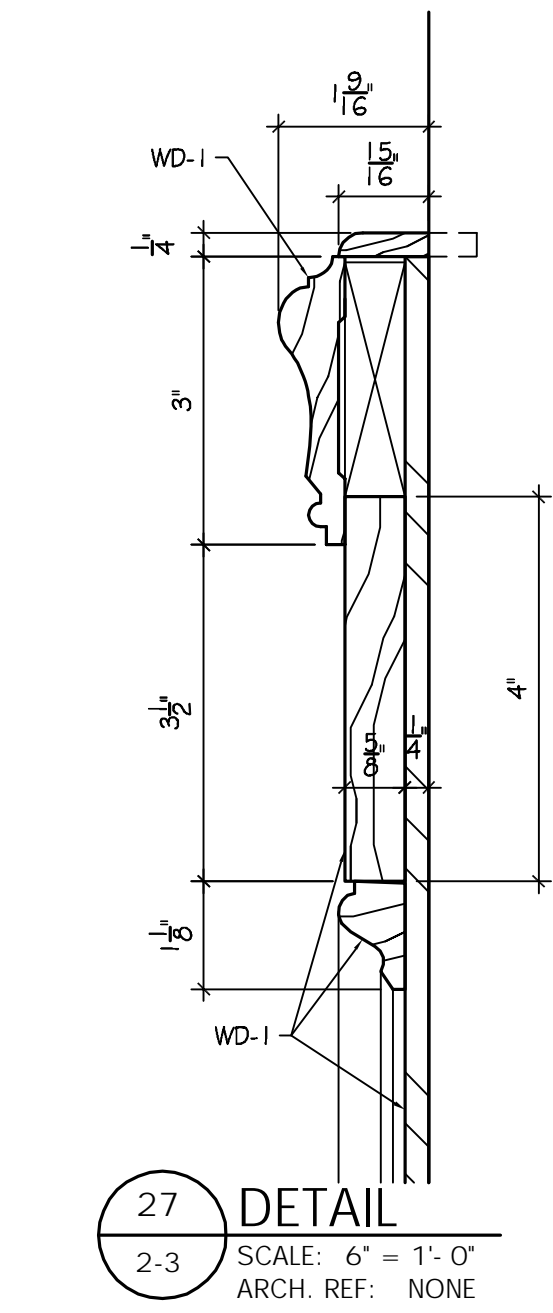
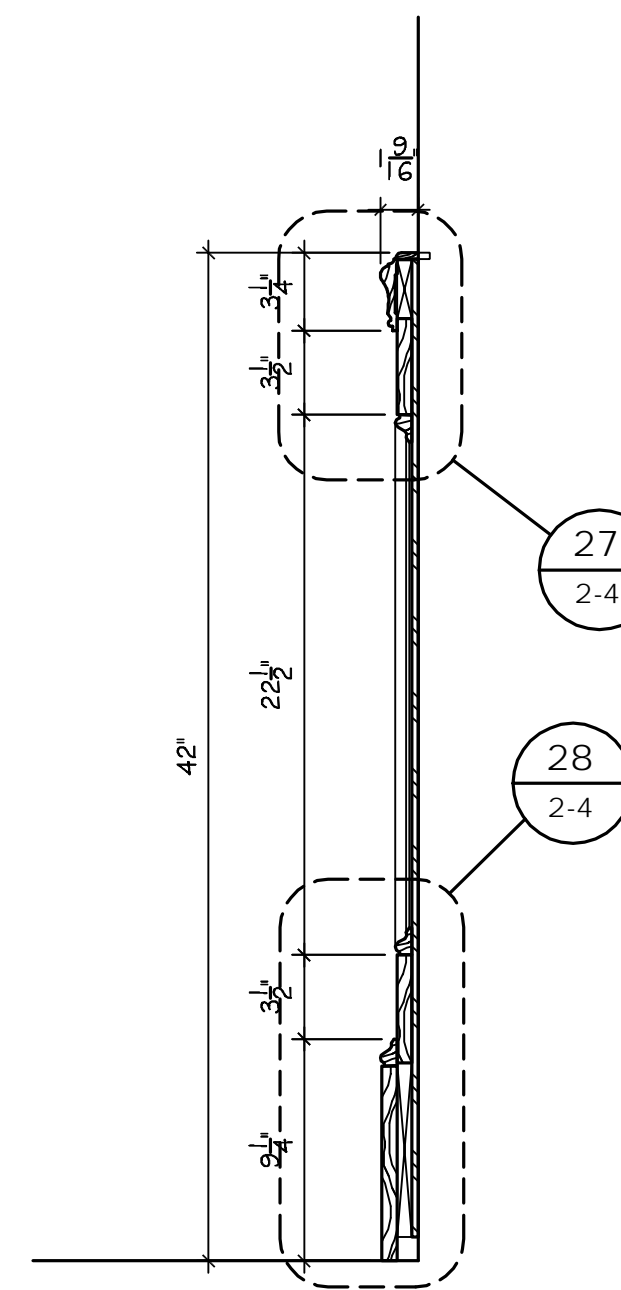
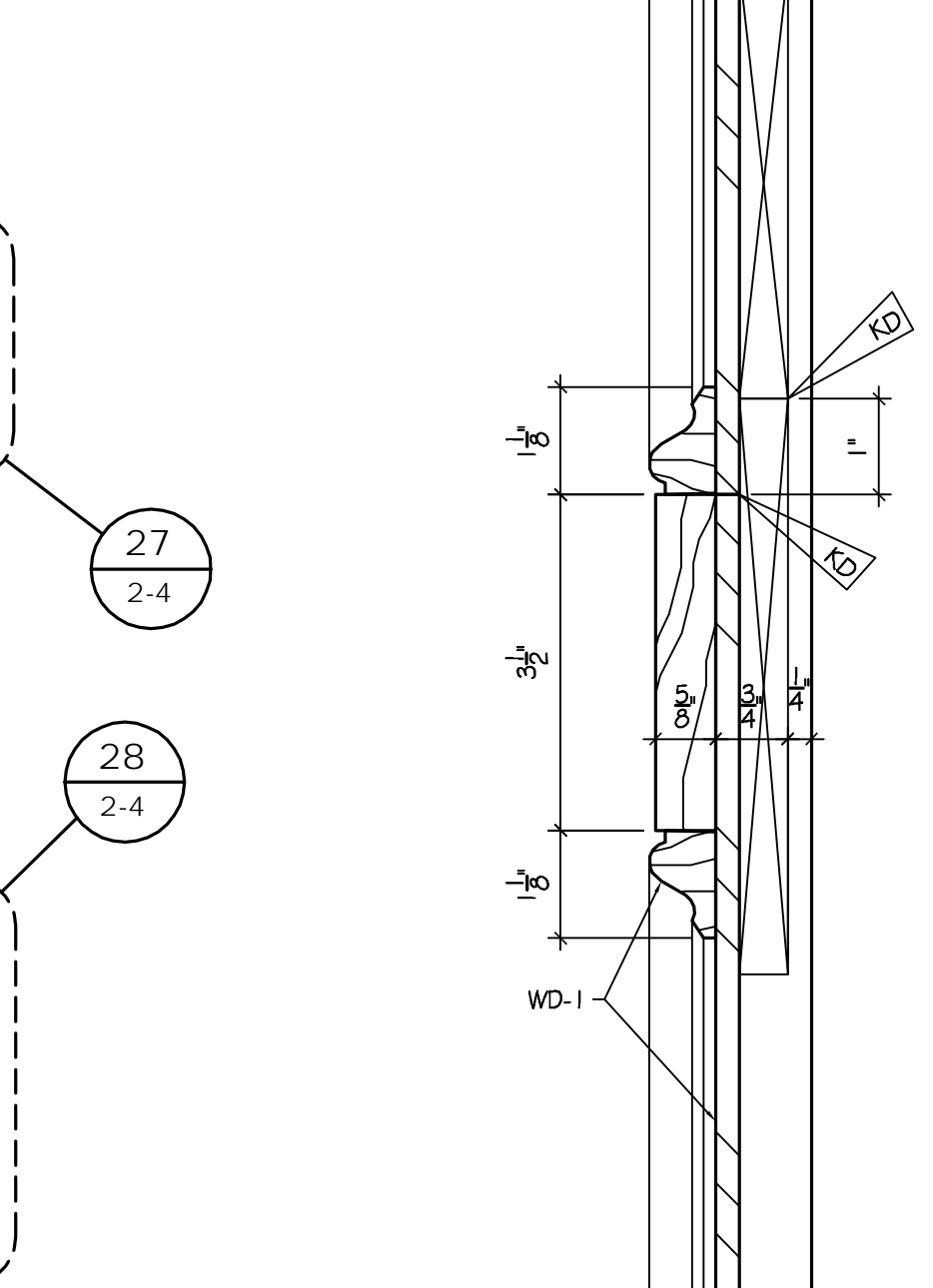
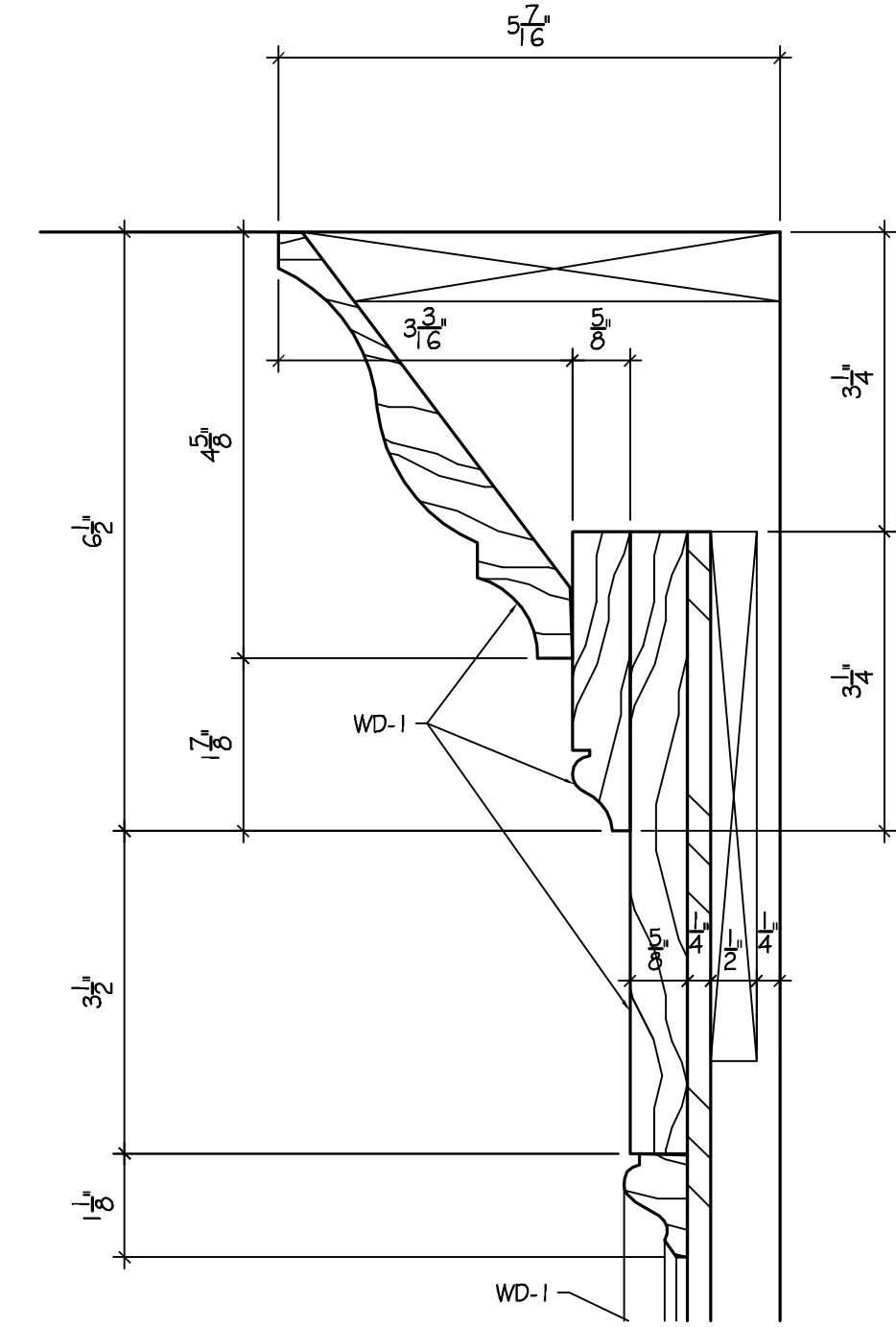
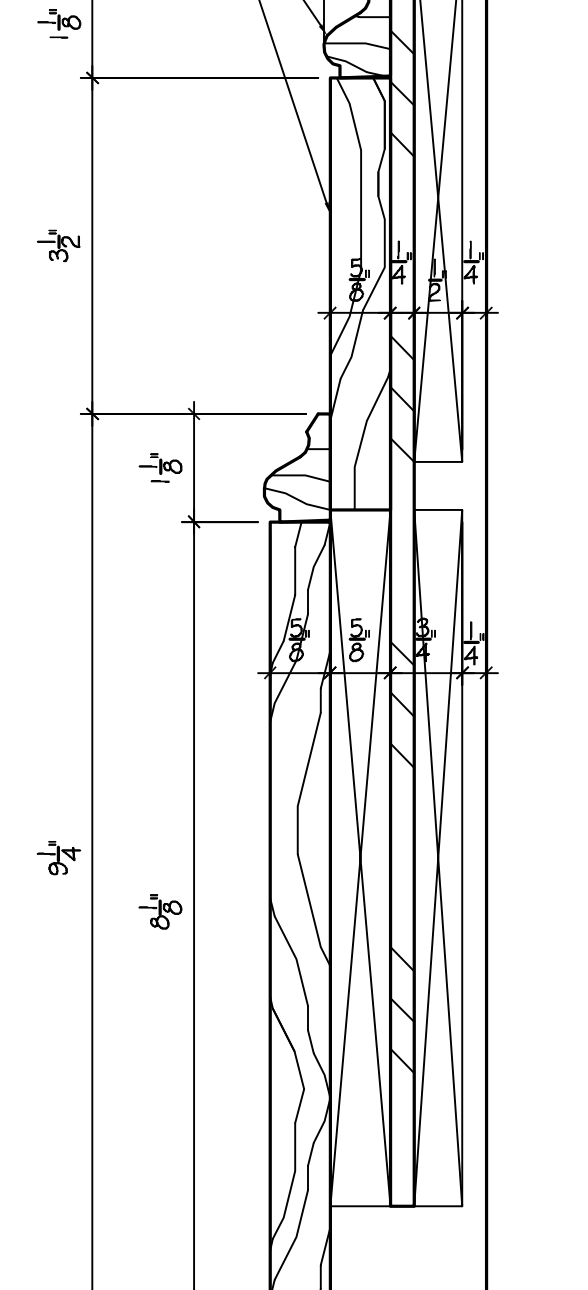
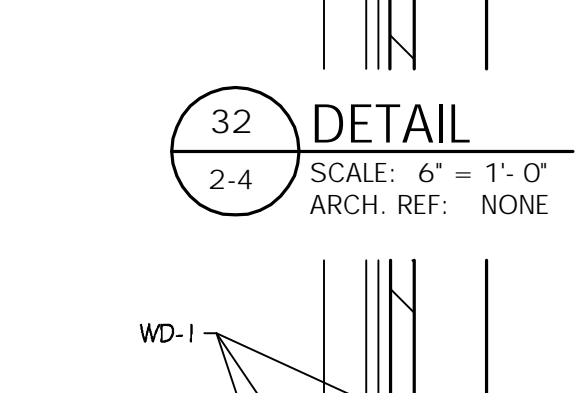
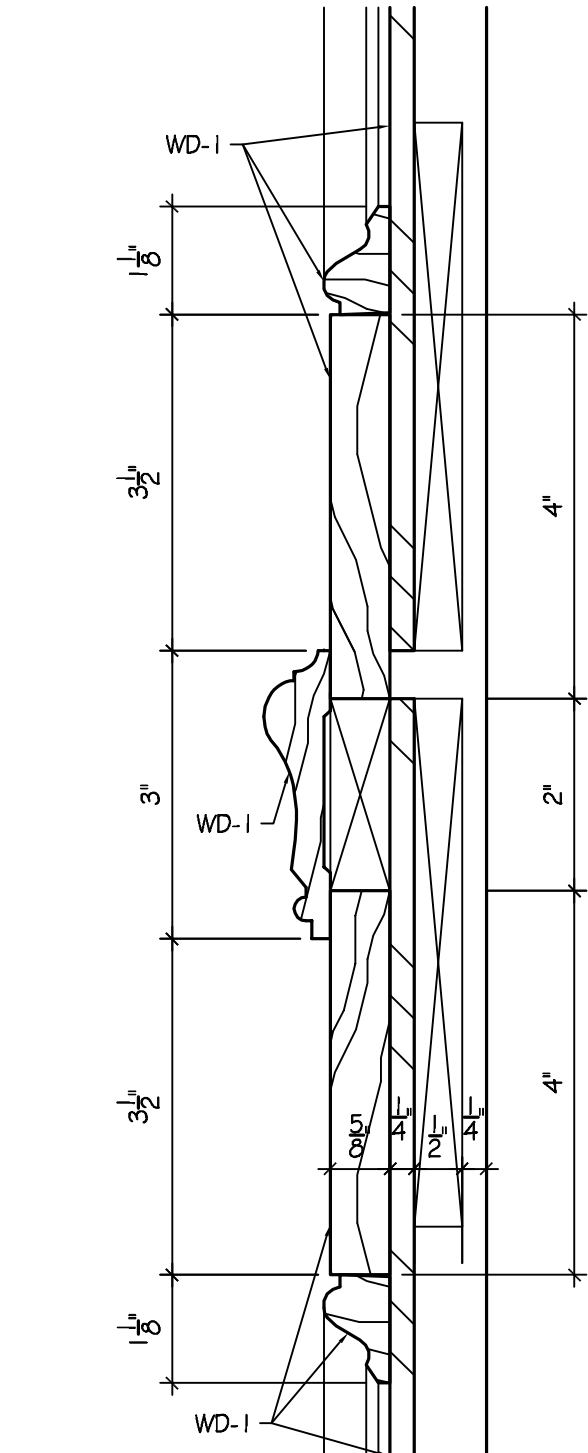
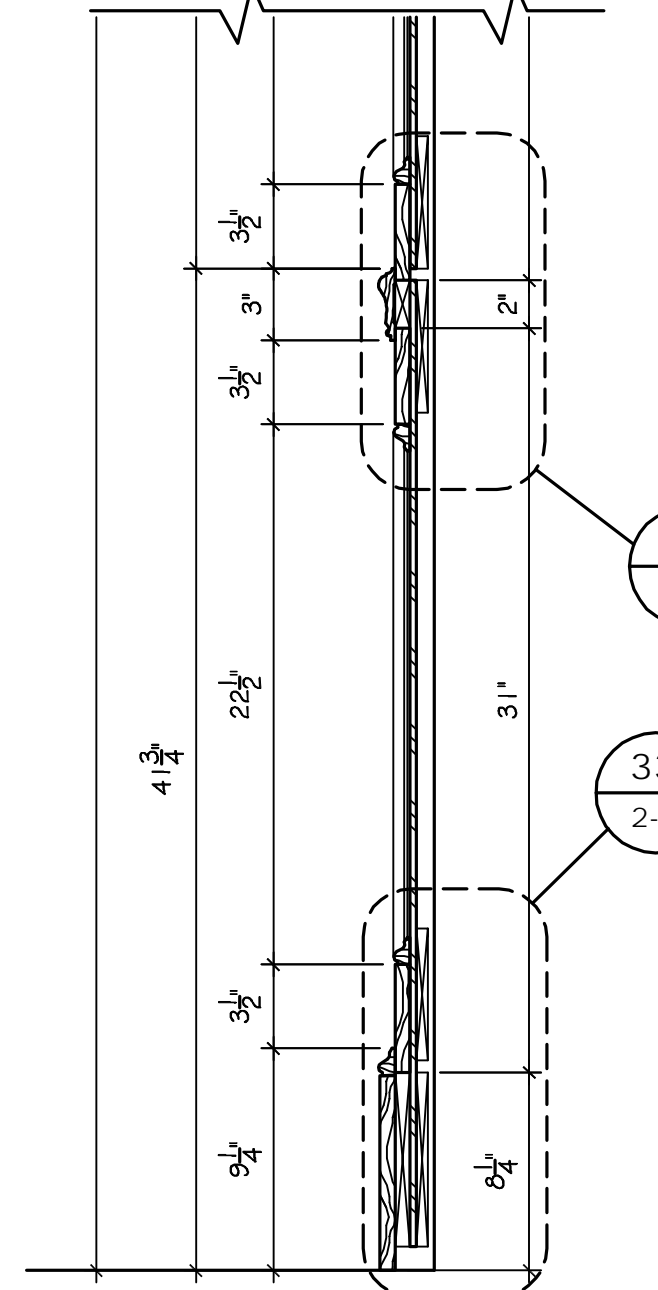
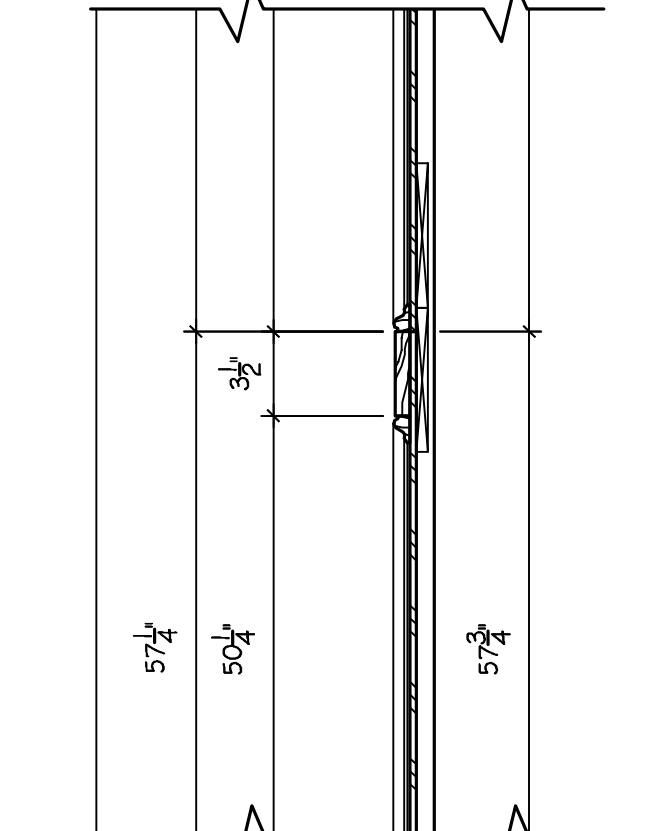
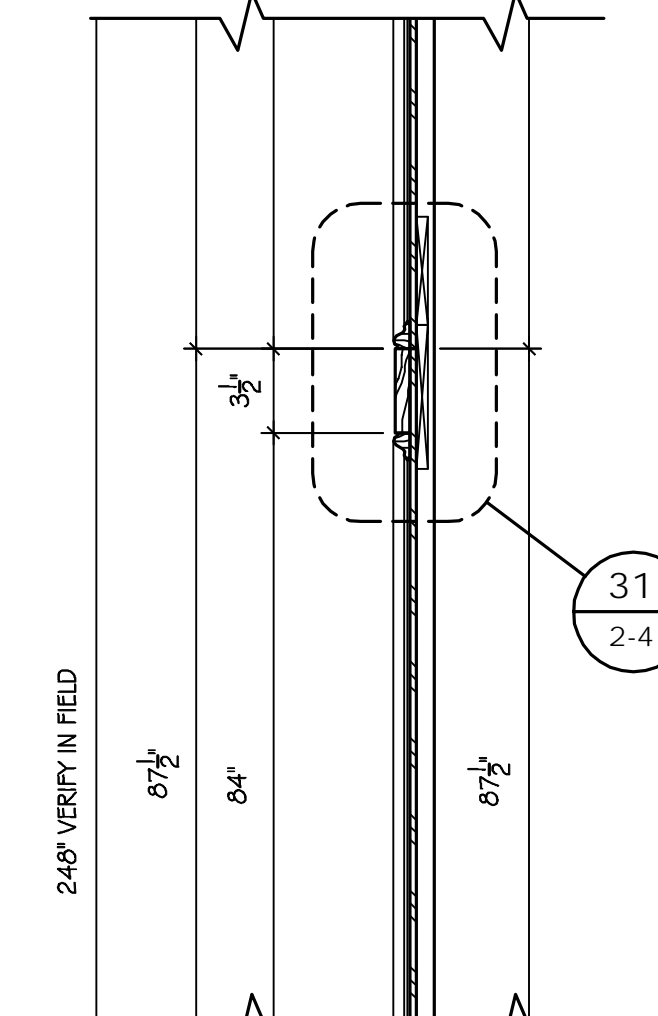
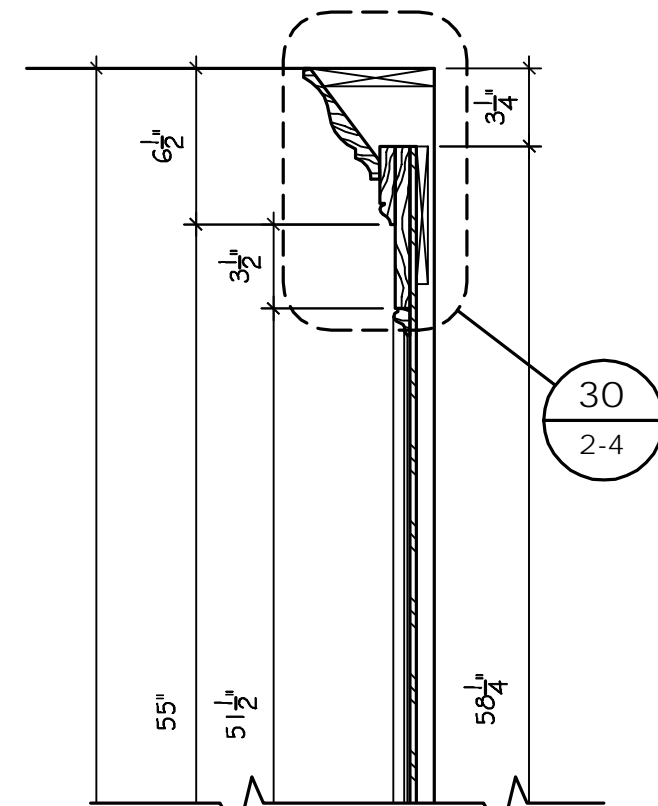
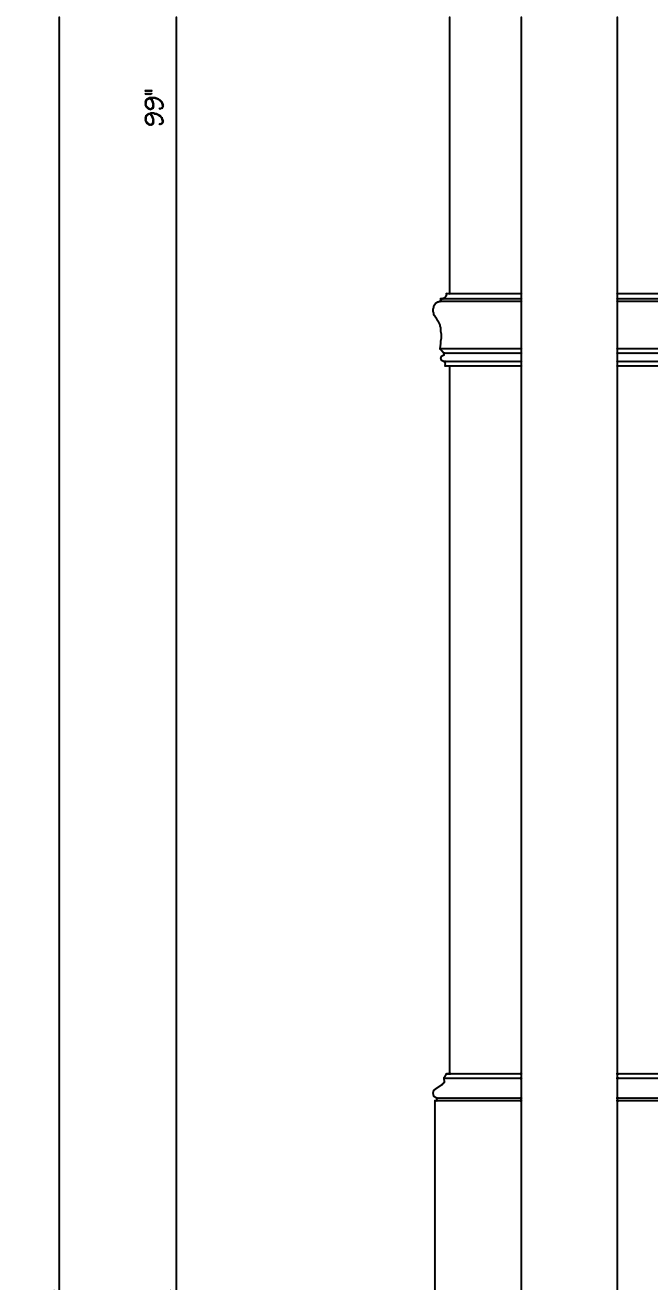
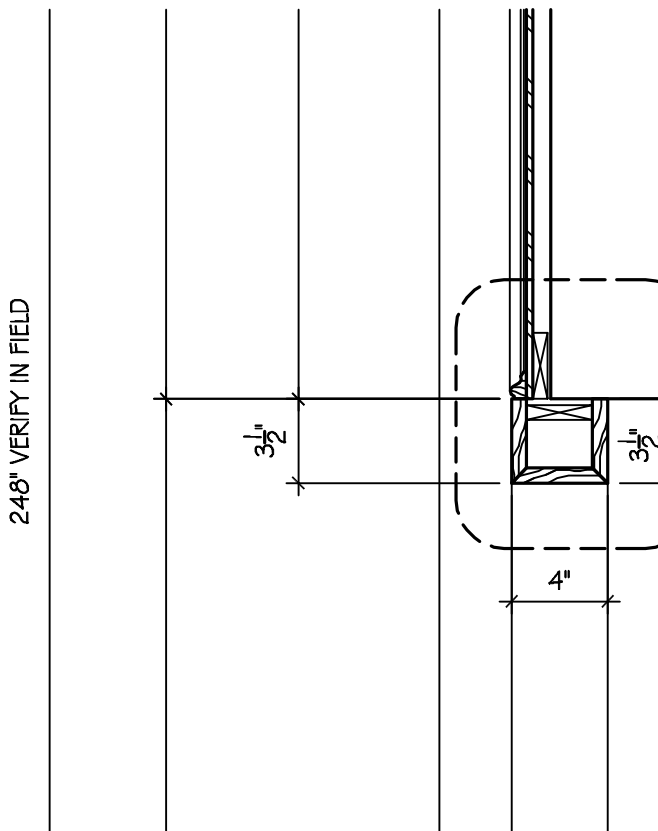
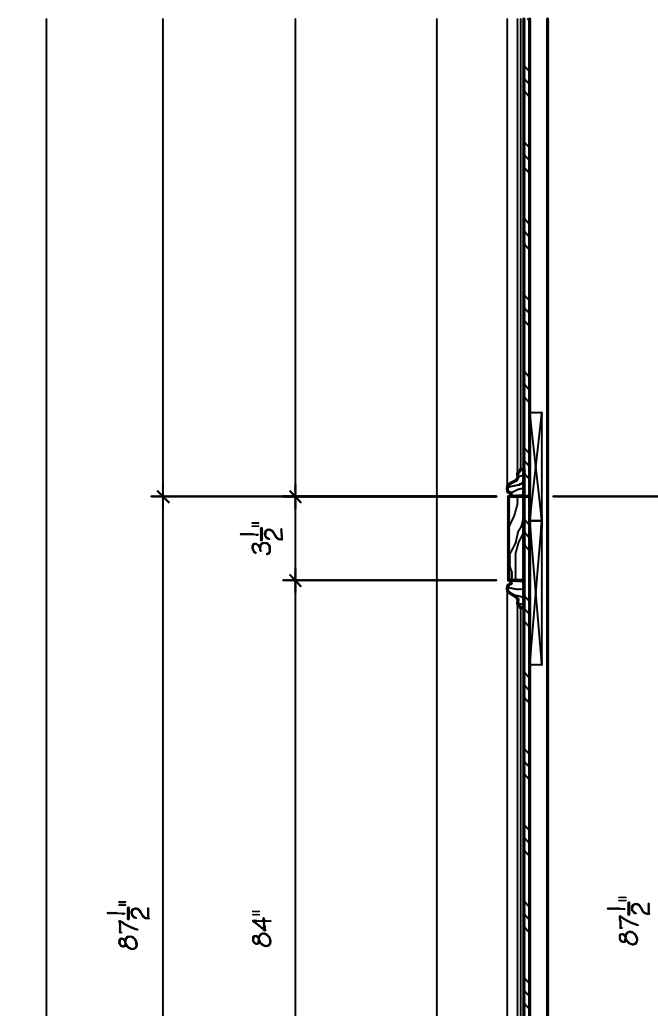
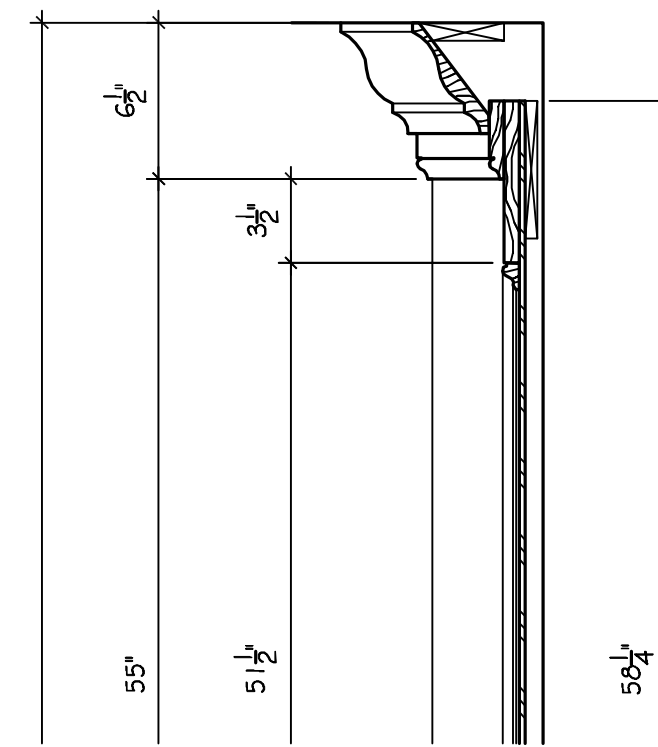
REVISIONS:

SHEET TITLE:
**WEST WALL
SECTIONS & DETAILS**

DRAWN BY: TM | DATE: 04/16/08

JOB: | SHEET NO.

2-4



28 DETAIL
2-4 SCALE: 6" = 1'-0"
ARCH. REF: NONE

29 VERTICAL SECTION
2-4 SCALE: 1-1/2" = 1'-0"
ARCH. REF: NONE

27 DETAIL
2-3 SCALE: 6" = 1'-0"
ARCH. REF: NONE

30 DETAIL
2-4 SCALE: 6" = 1'-0"
ARCH. REF: NONE

32 DETAIL
2-4 SCALE: 6" = 1'-0"
ARCH. REF: NONE

33 DETAIL
2-4 SCALE: 6" = 1'-0"
ARCH. REF: NONE

34 VERTICAL SECTION
2-4 SCALE: 1-1/2" = 1'-0"
ARCH. REF: NONE

36 DETAIL
2-4 SCALE: 6" = 1'-0"
ARCH. REF: NONE

35 VERTICAL SECTION
2-4 SCALE: 1-1/2" = 1'-0"
ARCH. REF: NONE