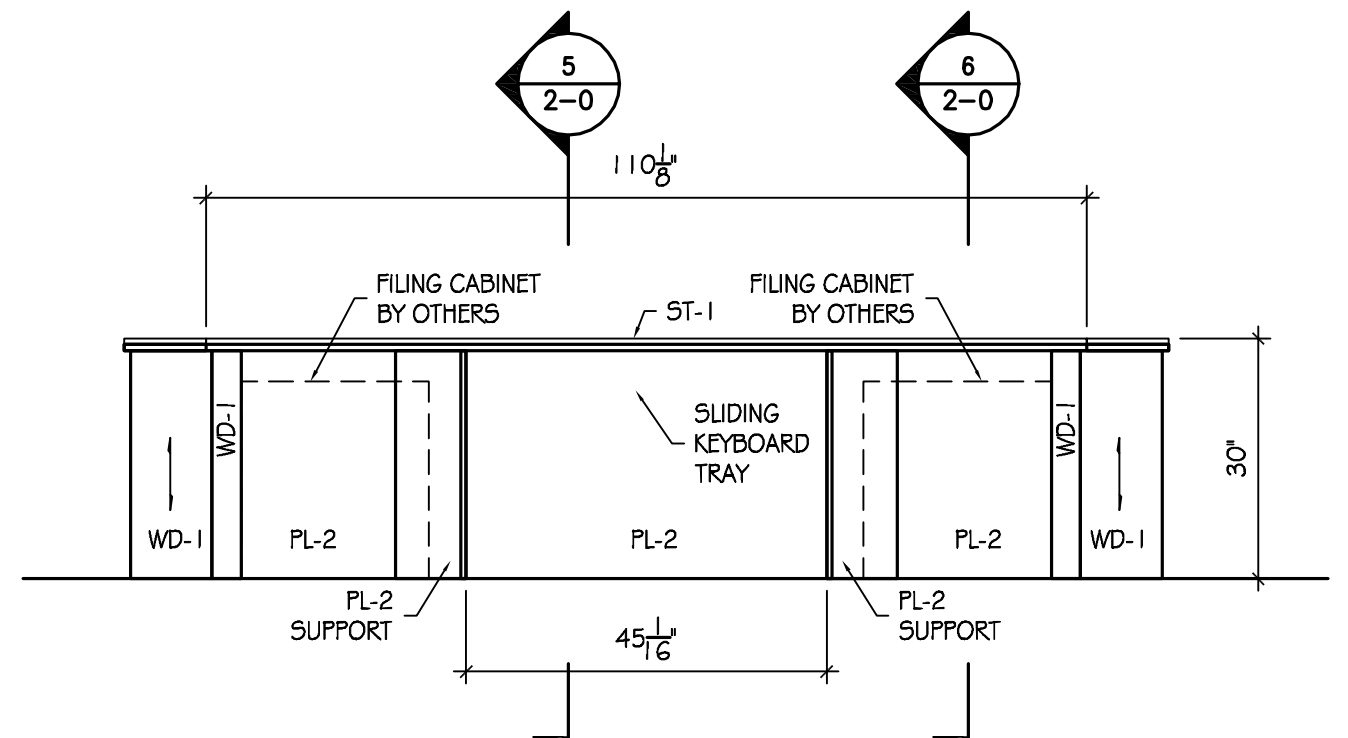
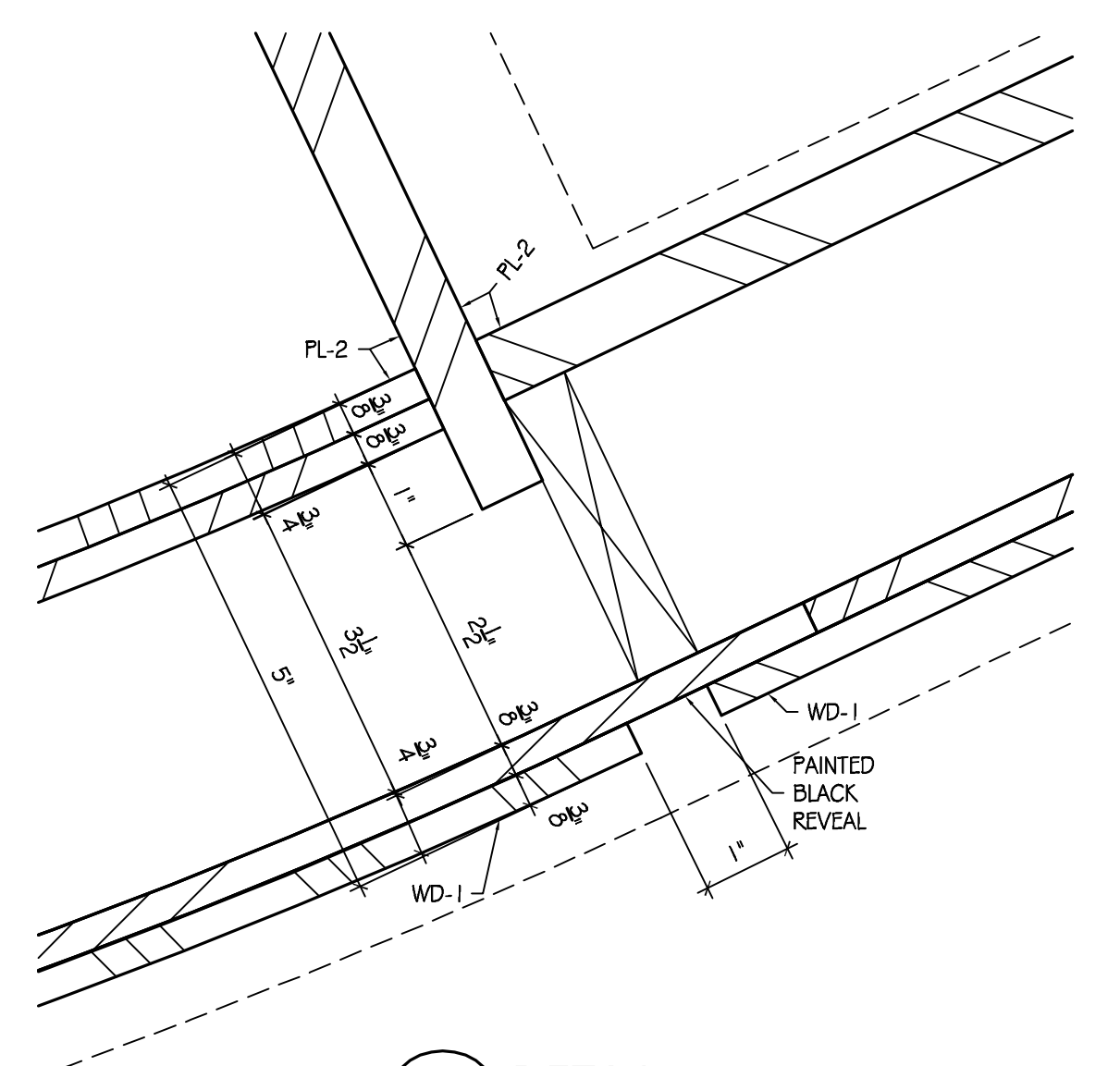
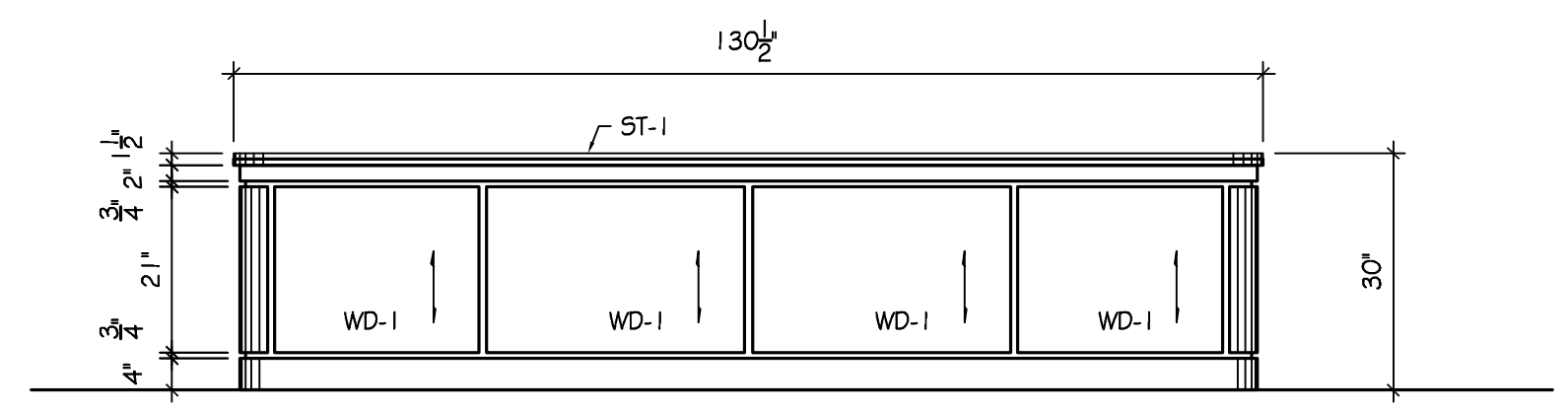


1 PLAN: SPA RECEPTION
 SCALE: 1/2" = 1' 0"
 ARCH. REF: 201A/2, 1404/A14

4 SECTION
 SCALE: 1-1/2" = 1' 0"
 ARCH. REF: NONE

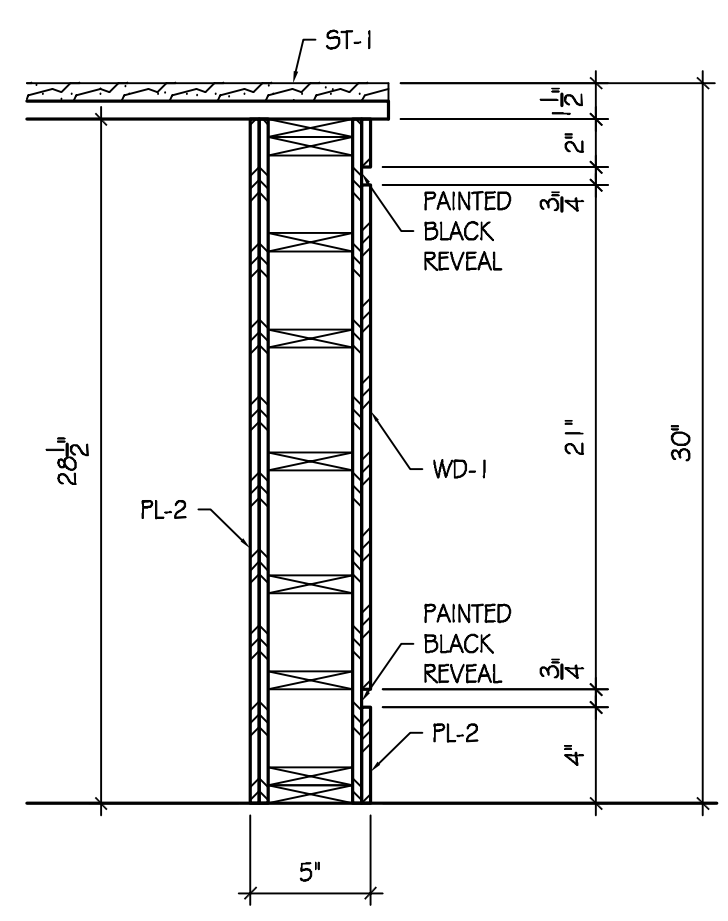


3 ELEVATION: SPA RECEPTION
 SCALE: 1/2" = 1' 0"
 ARCH. REF: 1405/A14

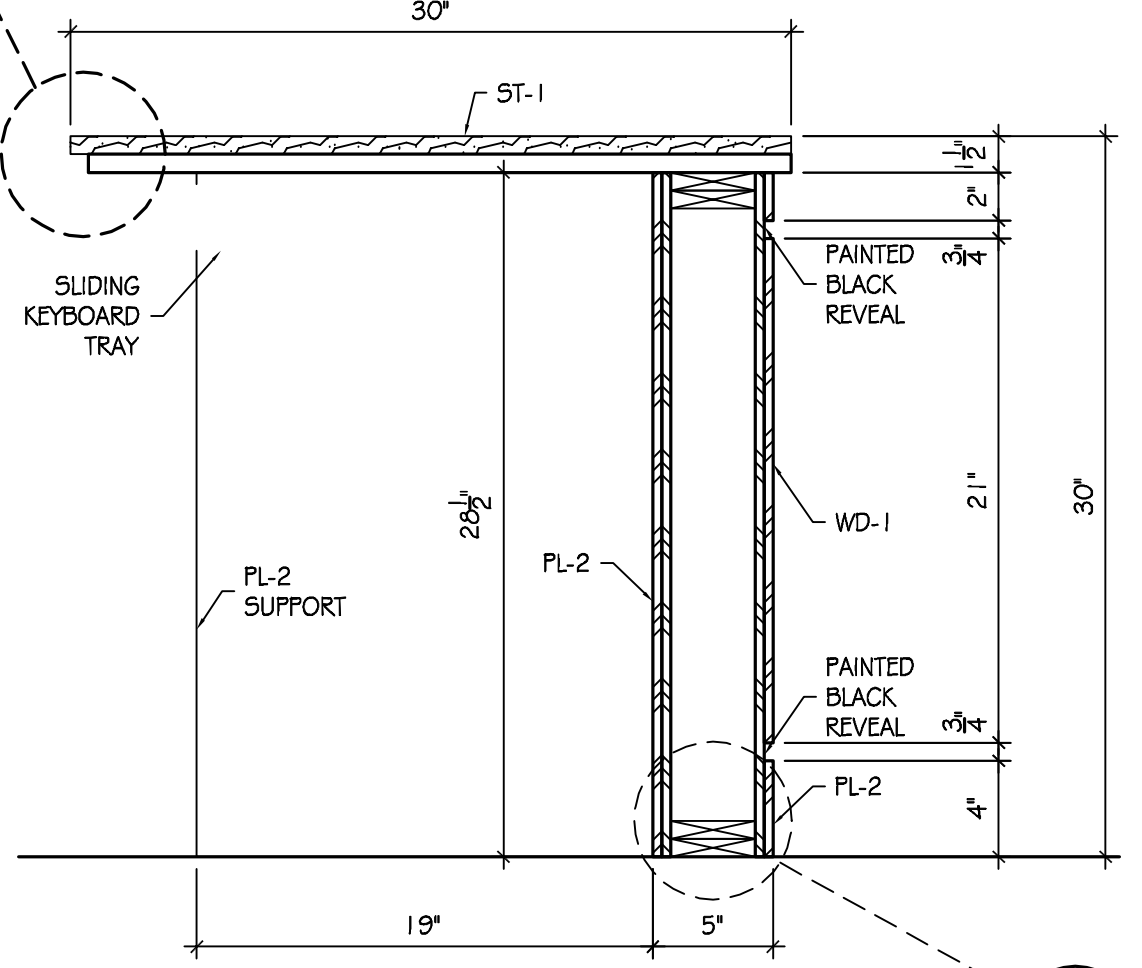
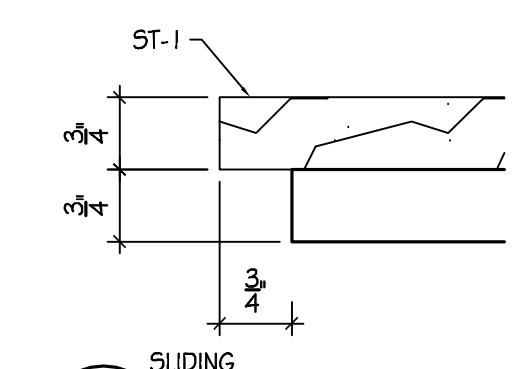


2 ELEVATION: SPA RECEPTION
 SCALE: 1/2" = 1' 0"
 ARCH. REF: 1406/A14

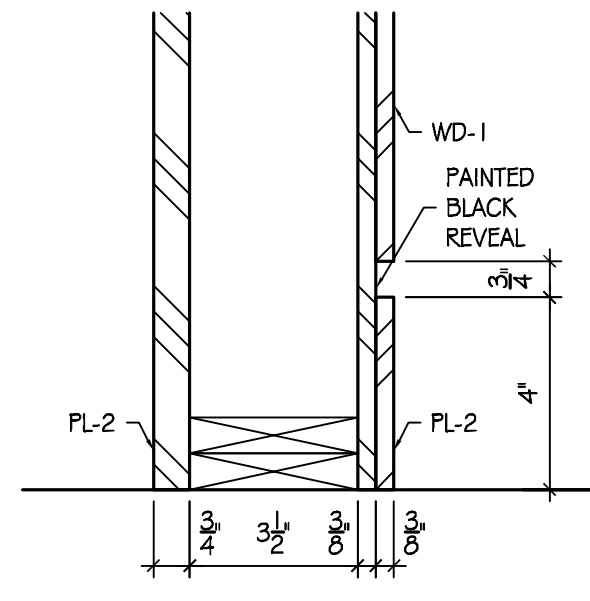
7 DETAIL
 SCALE: 6" = 1' 0"
 ARCH. REF: NONE



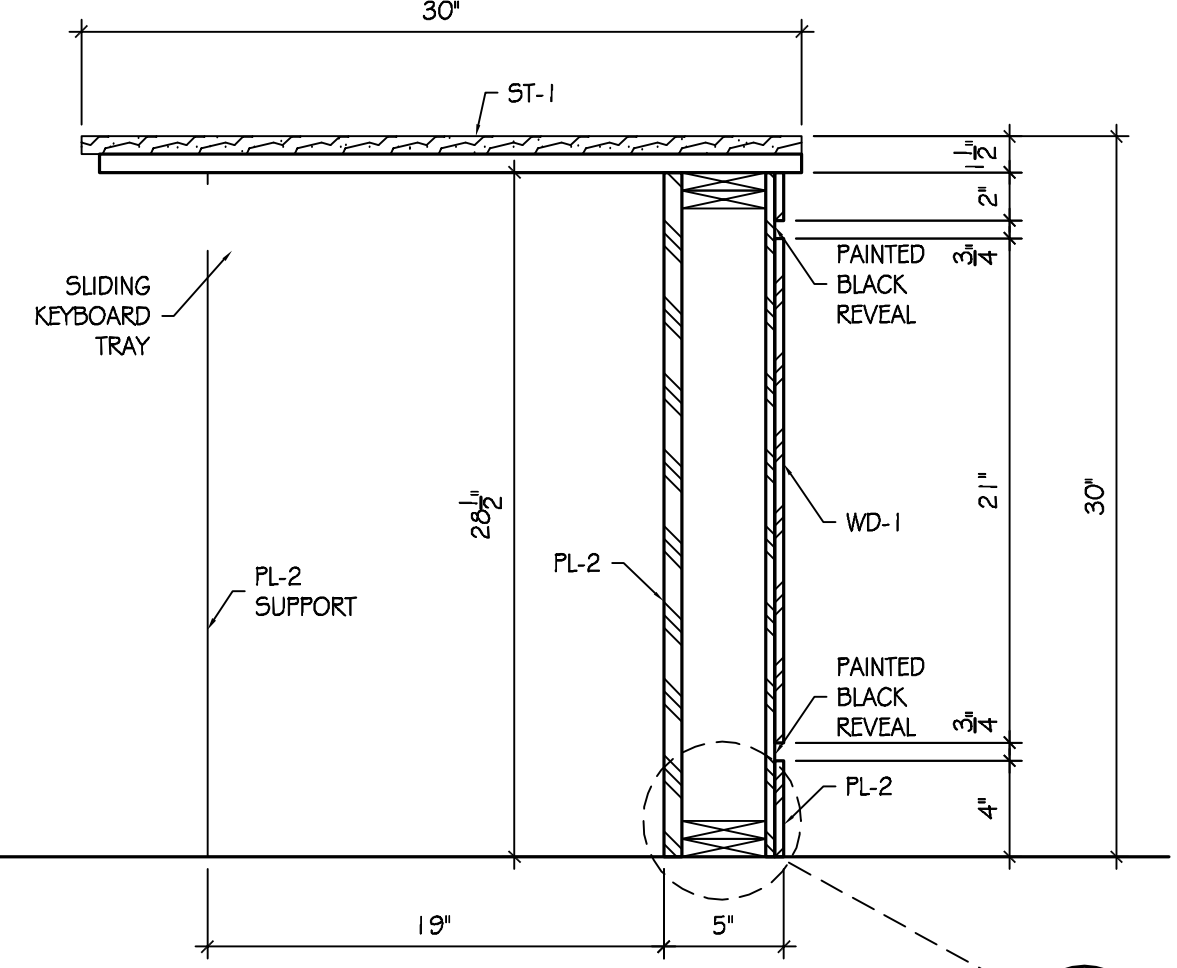
11 SECTION
 SCALE: 1-1/2" = 1' 0"
 ARCH. REF: NONE



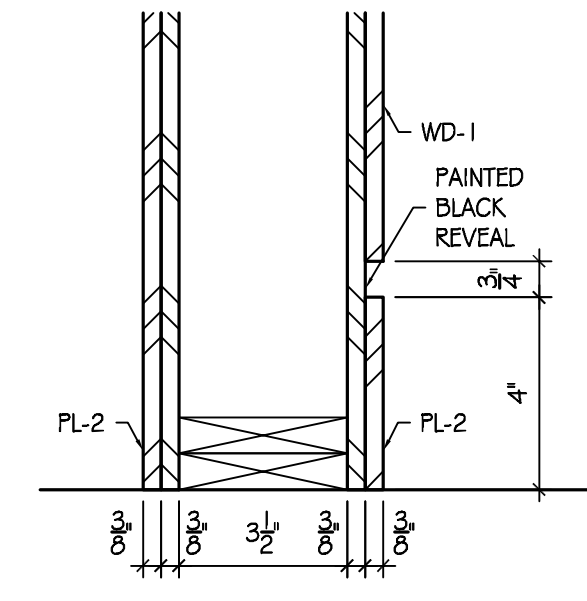
5 SECTION
 SCALE: 1-1/2" = 1' 0"
 ARCH. REF: 1503/A15



8 DETAIL
 SCALE: 3" = 1' 0"
 ARCH. REF: NONE



6 SECTION
 SCALE: 1-1/2" = 1' 0"
 ARCH. REF: 1503/A15



9 DETAIL
 SCALE: 3" = 1' 0"
 ARCH. REF: NONE

10 SECTION
 SCALE: 1-1/2" = 1' 0"
 ARCH. REF: NONE

ARCHITECT:
 GENERAL CONTRACTOR:
 DESIGNER:

NOTES:
 PL-2: PLEASE SPECIFY LAMINATE
 WD-1: SOLID RED OAK STAINED TO MATCH APPROVED SAMPLE
 ST-1: GRANITE - PLEASE SPECIFY COLOR

REVISIONS:

SHEET TITLE:
SPA RECEPTION ROOM 7

DRAWN BY: MM | DATE: 01/14/09
 JOB: | SHEET NO.