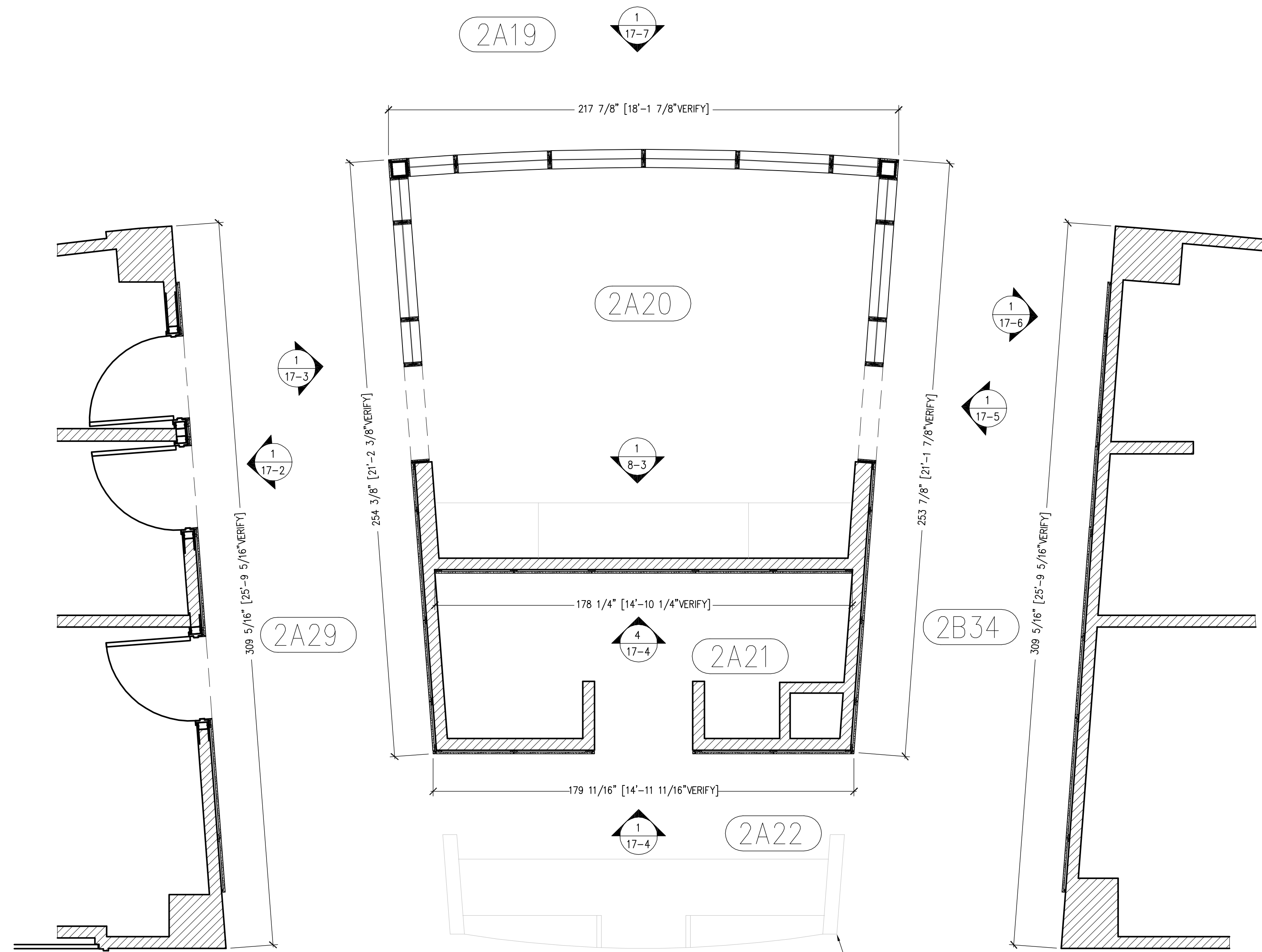
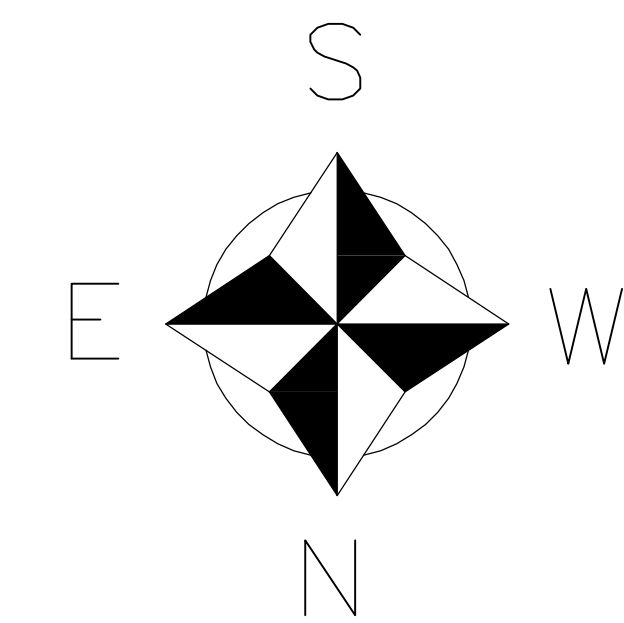


MATERIAL SPECIFICATIONS			
TYPE	DESCRIPTION	M.R.	
CORE	F.R. PARTICLE BOARD		
VENEER	RIFT CUT WHITE OAK		
SOLID	RIFT SAWN WHITE OAK		
FINISH	TO MATCH SAMPLE		
HARDWARE LIST			
QTY:	DESCRIPTION	M.R.	
INFORMATION SYSTEMS			
ITEM #	DESCRIPTION	CUST.	PROD.



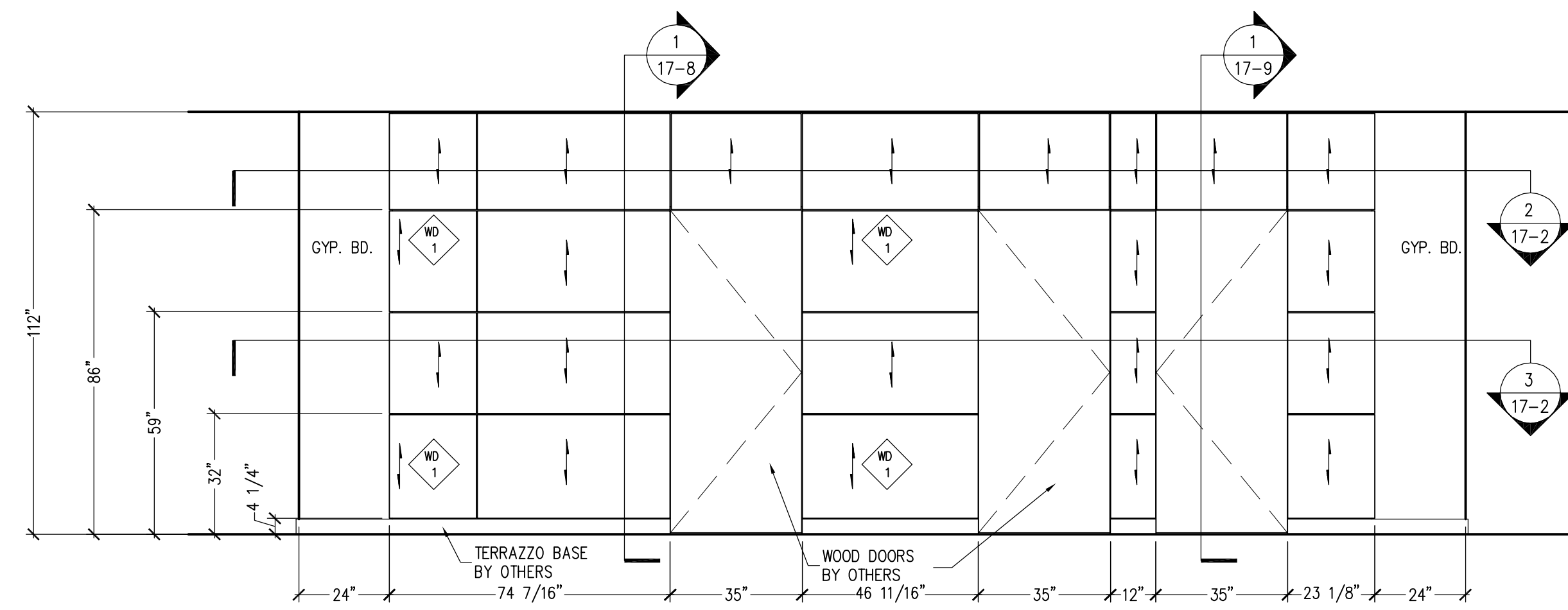
1 PLAN VIEW  
 17-1 SCALE: 3/8"=12" REF: 1/A-112B



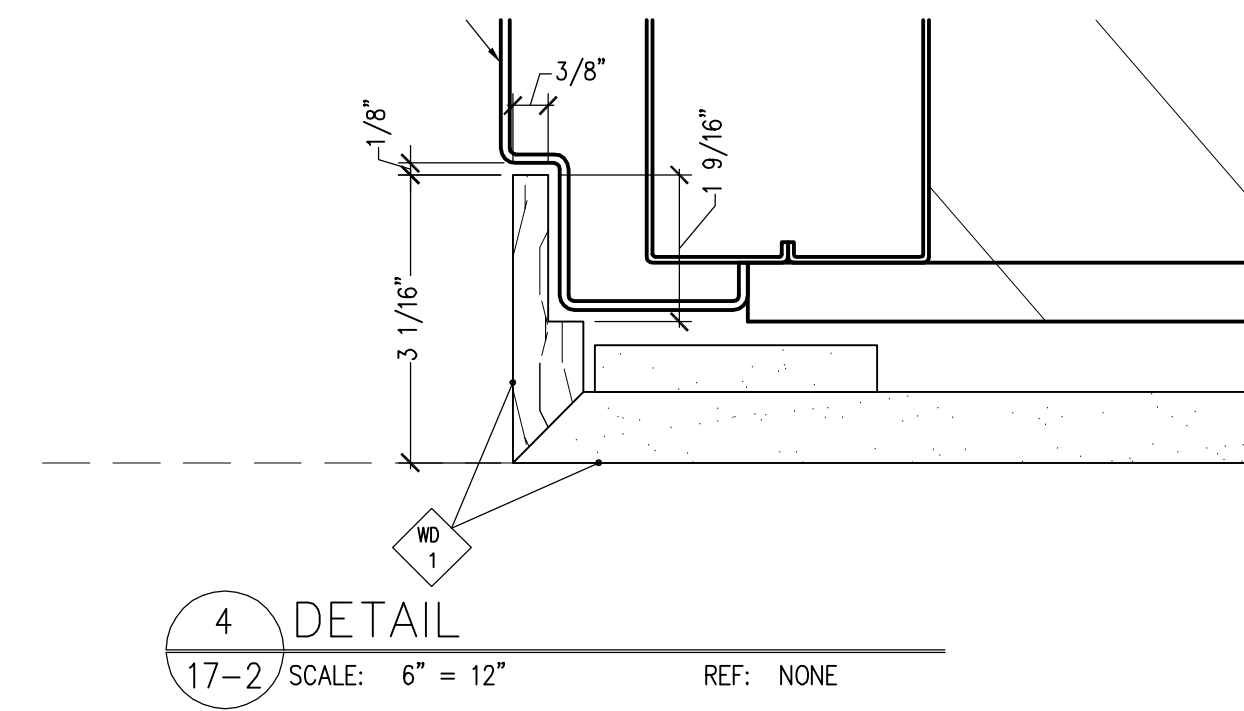
PROJECT NO.  
 CUTBILL NO.  
 PSI WORK ORDER NO.  
 SCALE AS SHOWN  
 DRAWN BY: TM DATE: 06/15/06  
 DELIVERY DATE:

REVISIONS		
NO.	DATE	DESCRIPTION
1		
2		
3		
4		
5		
6		
7		
8		
9		
10		
11		
12		

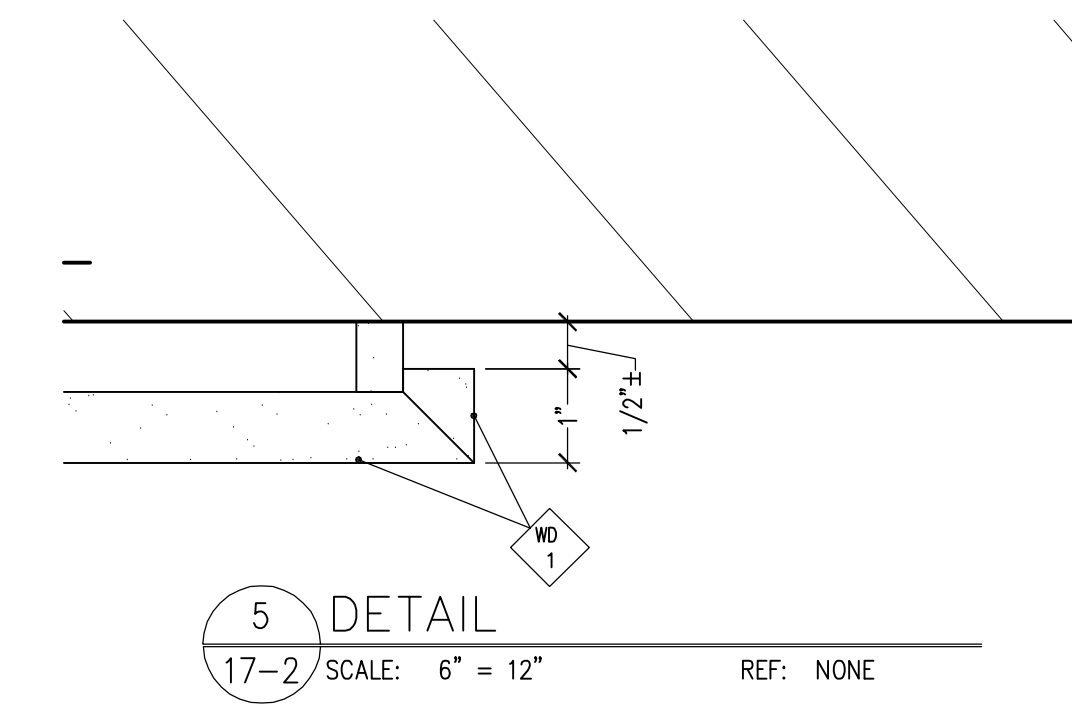
SHEET NO.  
 17-1  
 PRELIMINARY



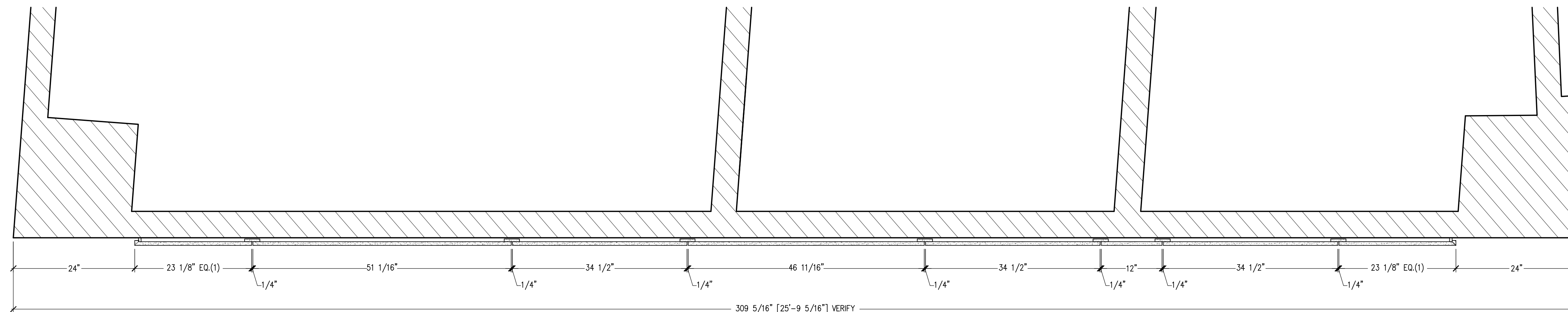
1 ELEVATION  
CORRIDOR 2A29  
17-2 SCALE: 3/8"=12" REF: 12/A-415



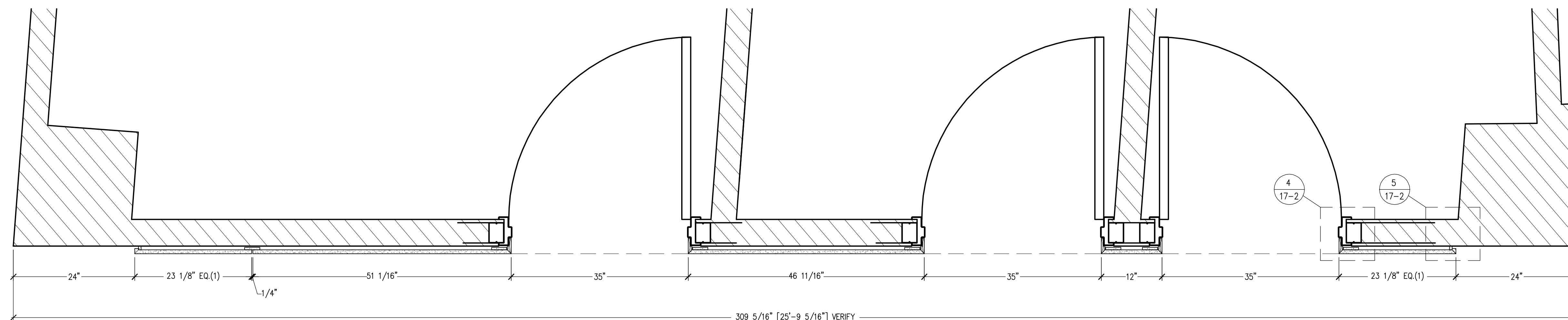
4 DETAIL  
17-2 SCALE: 6" = 12" REF: NONE



5 DETAIL  
17-2 SCALE: 6" = 12" REF: NONE



2 HORIZONTAL SECTION  
17-2 SCALE: 1" = 12" REF: NONE



3 HORIZONTAL SECTION  
17-2 SCALE: 1" = 12" REF: NONE

PROJECT NO.

CUTBILL NO.

PSI WORK ORDER NO.

SCALE  
AS SHOWN

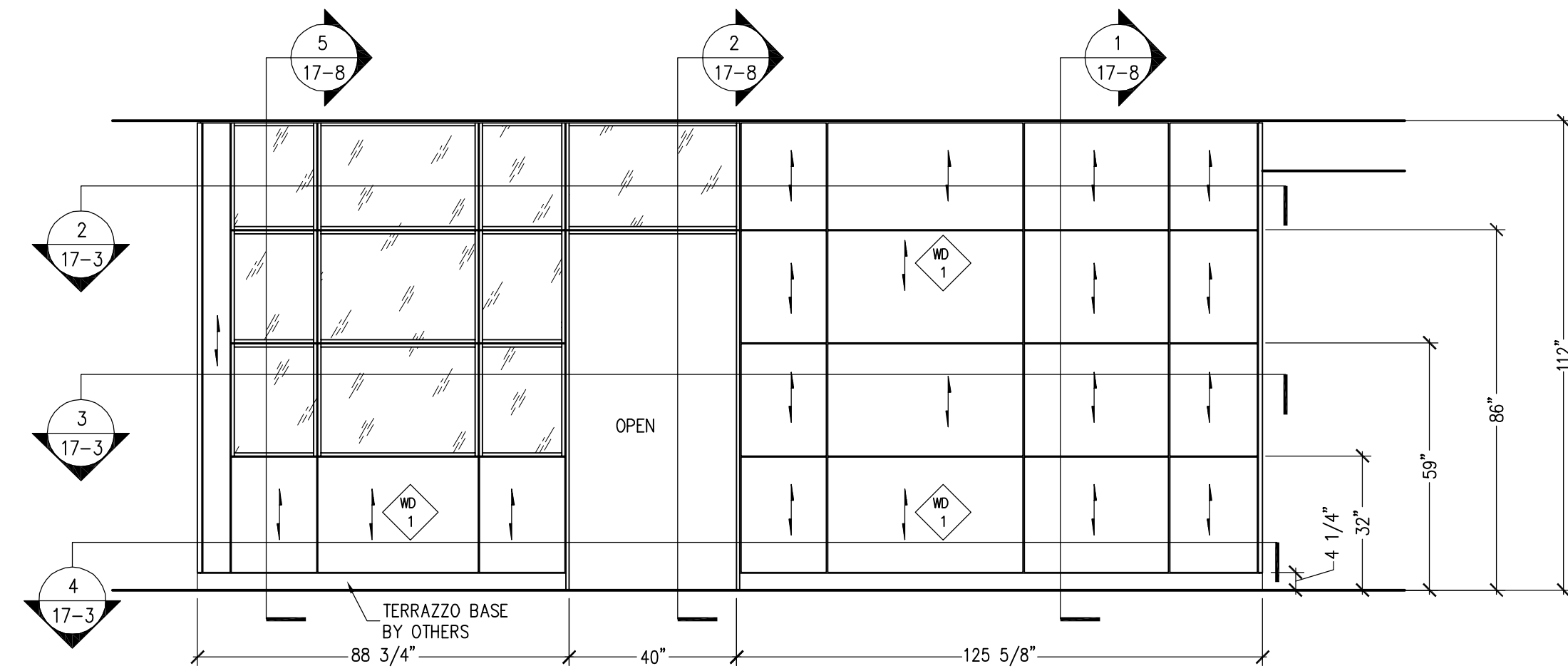
DRAWN BY  
TM

DATE  
06/15/06

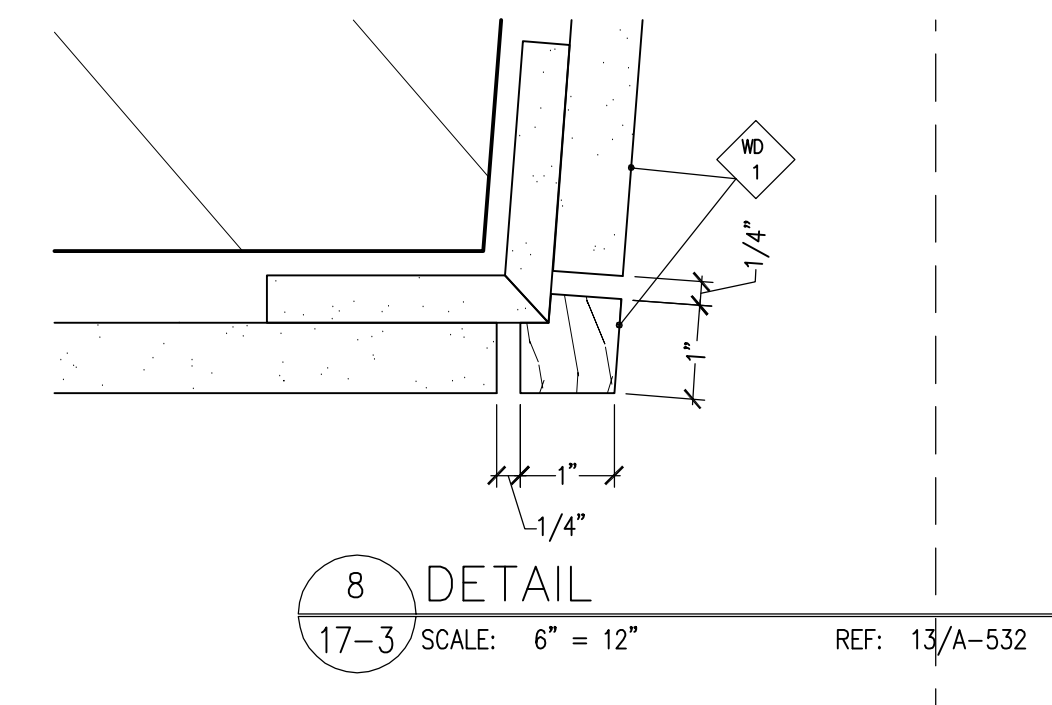
DELIVERY DATE

REVISIONS		
NO.	DATE	DESCRIPTION
1		
2		
3		
4		
5		
6		
7		
8		
9		
10		
11		
12		

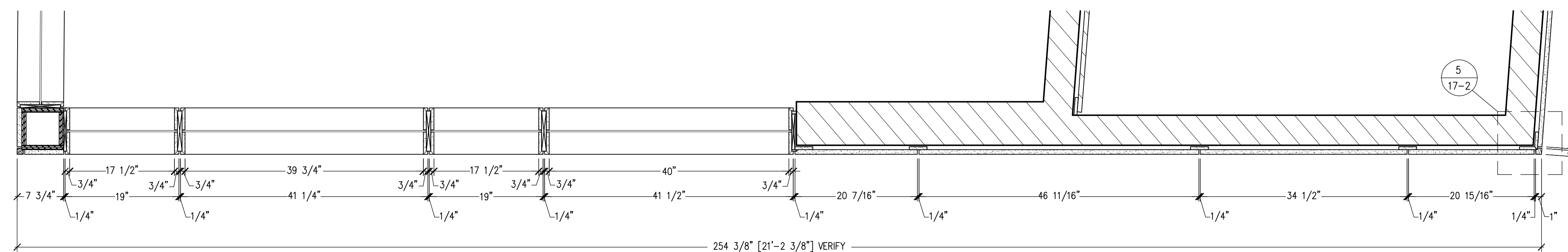
SHEET NO.  
17-2  
PRELIMINARY



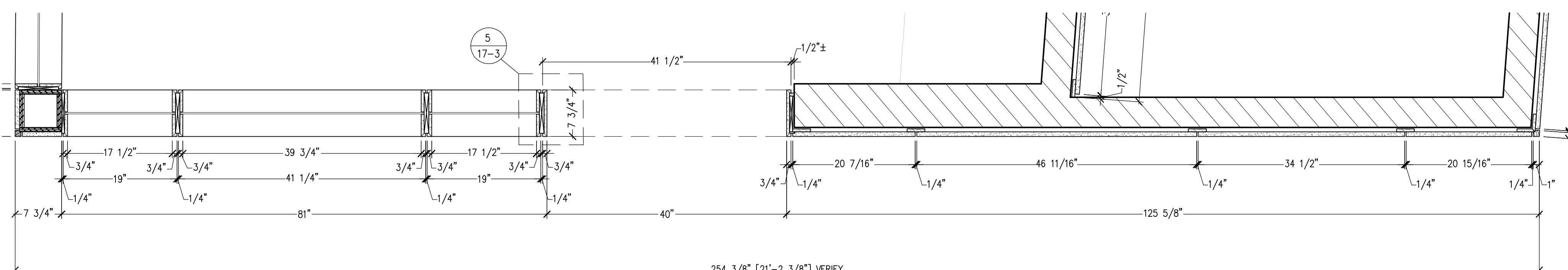
1 ELEVATION  
CORRIDOR 2A29  
17-3 SCALE: 3/8"=12" REF: 7/A-415



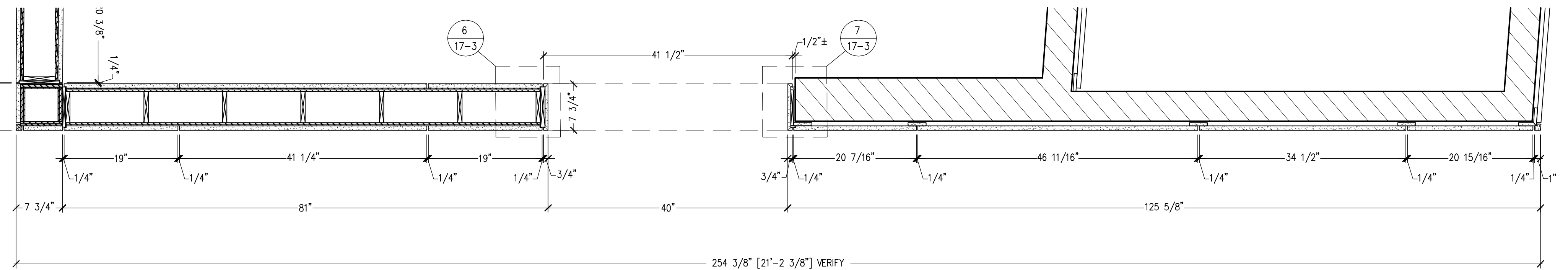
8 DETAIL  
17-3 SCALE: 6" = 12" REF: 13/A-532



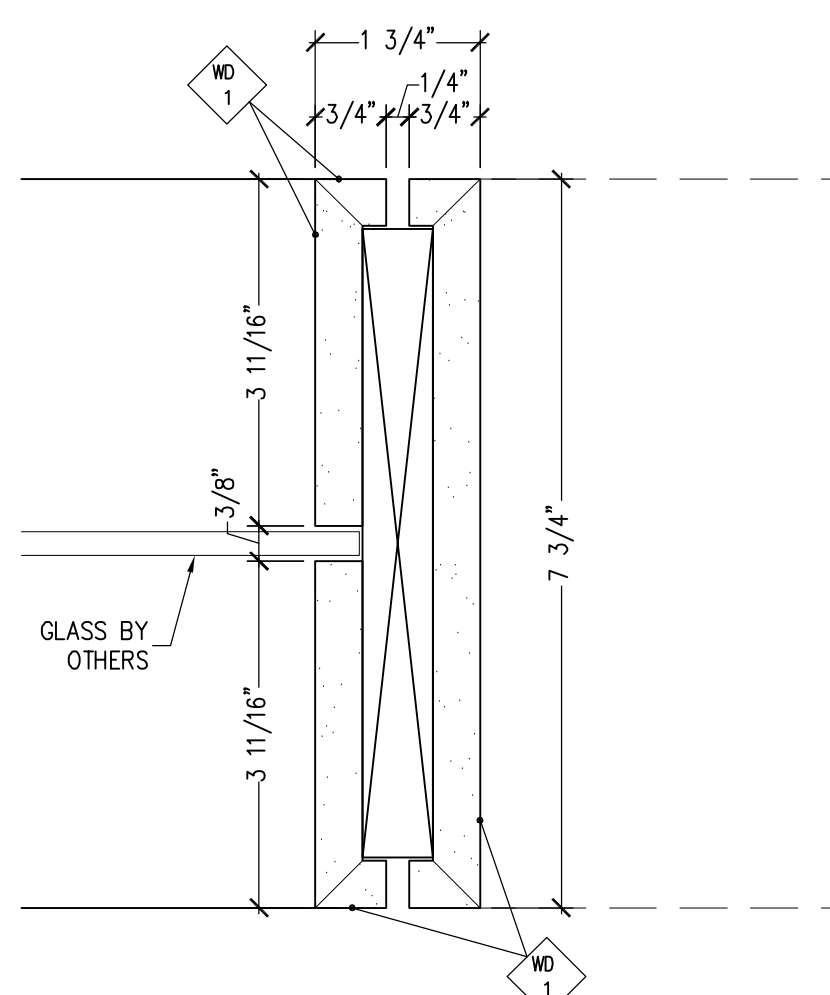
2 HORIZONTAL SECTION  
17-3 SCALE: 1" = 12" REF: NONE



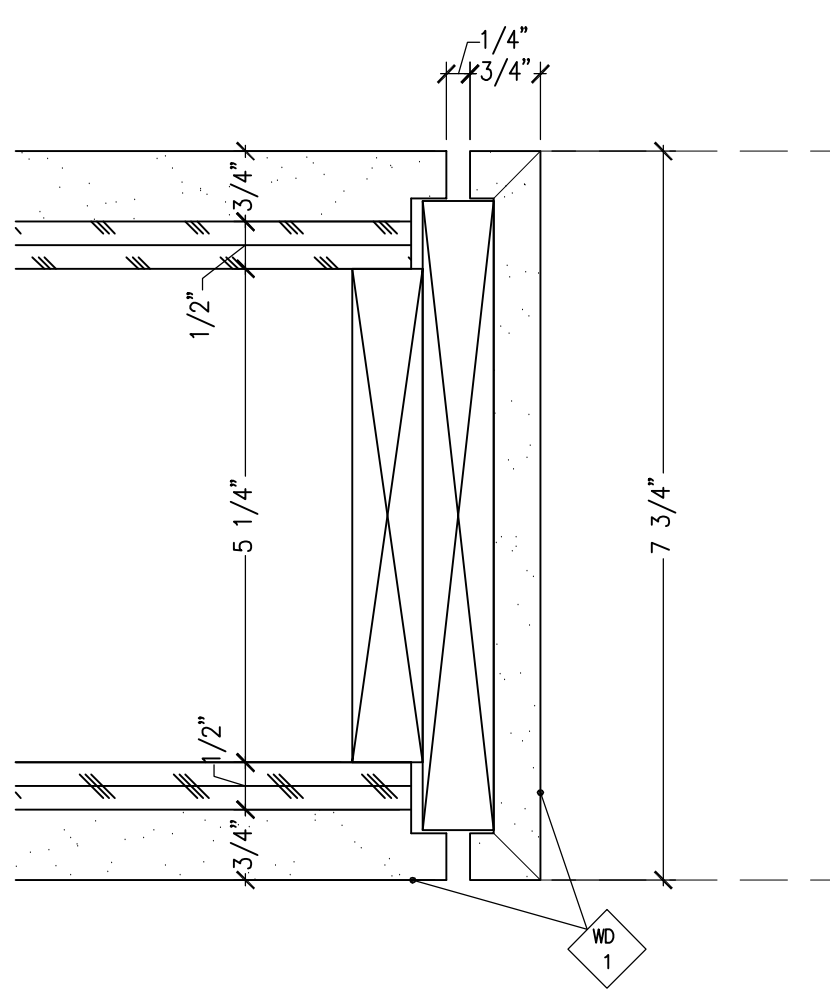
3 HORIZONTAL SECTION  
17-3 SCALE: 1" = 12" REF: NONE



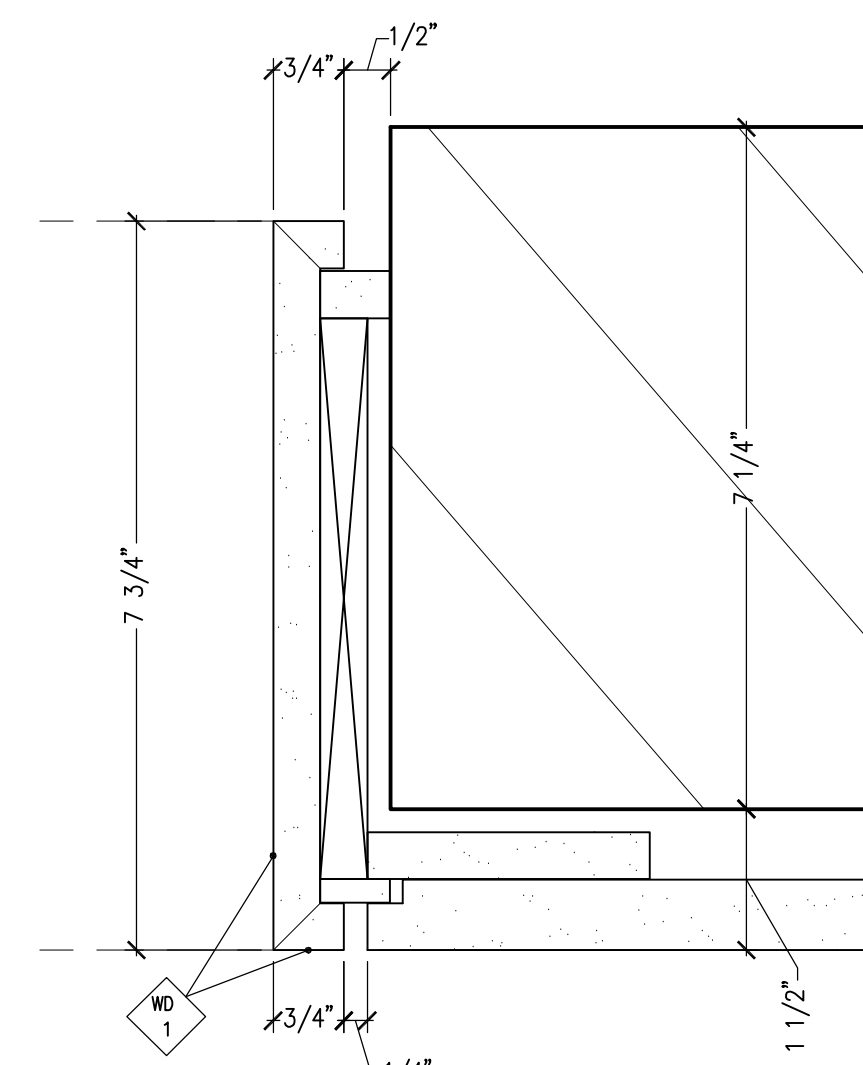
4 HORIZONTAL SECTION  
17-3 SCALE: 1" = 12" REF: NONE



5 DETAIL  
17-3 SCALE: 6" = 12" REF: J6/A-600



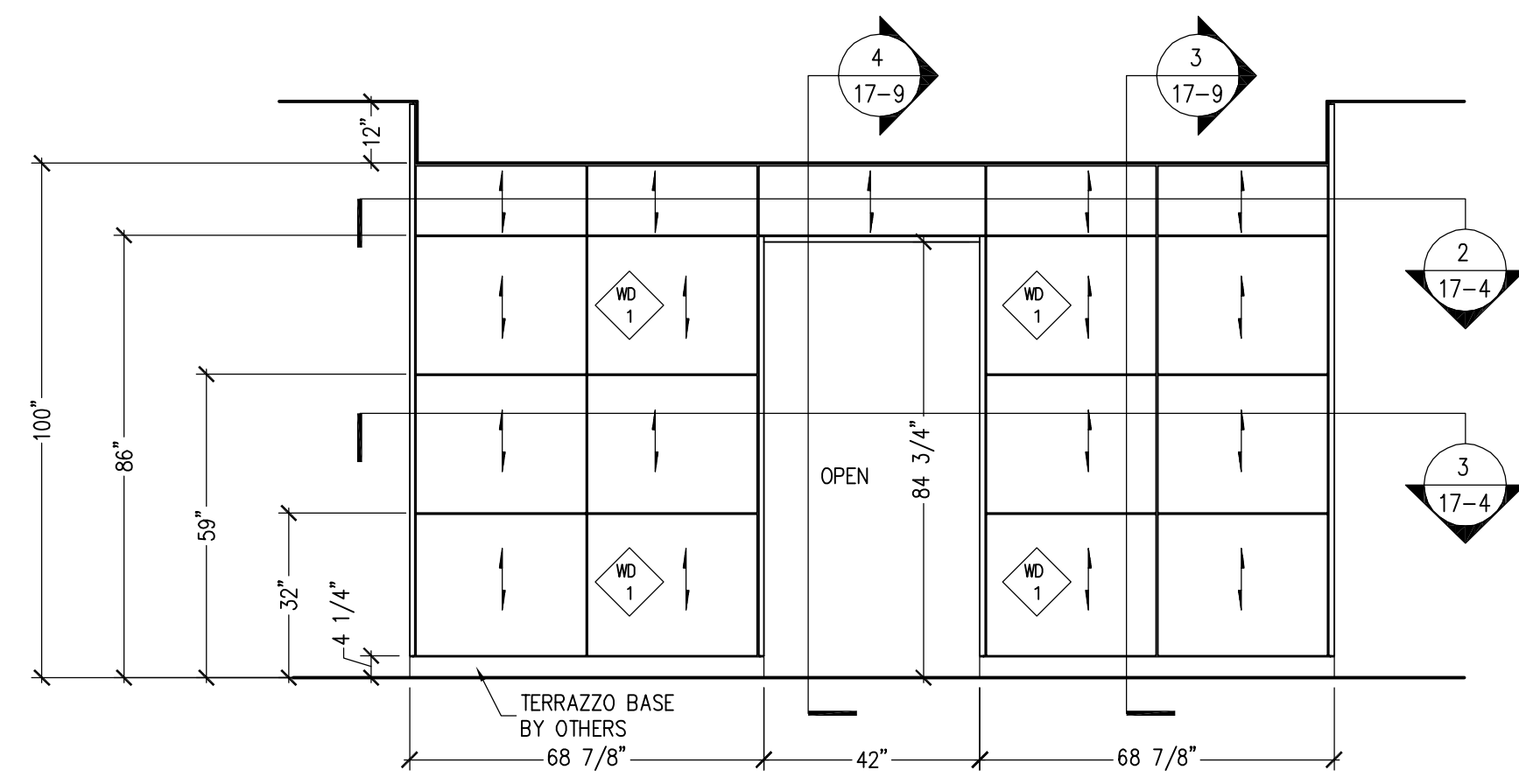
6 DETAIL  
17-3 SCALE: 6" = 12" REF: NONE



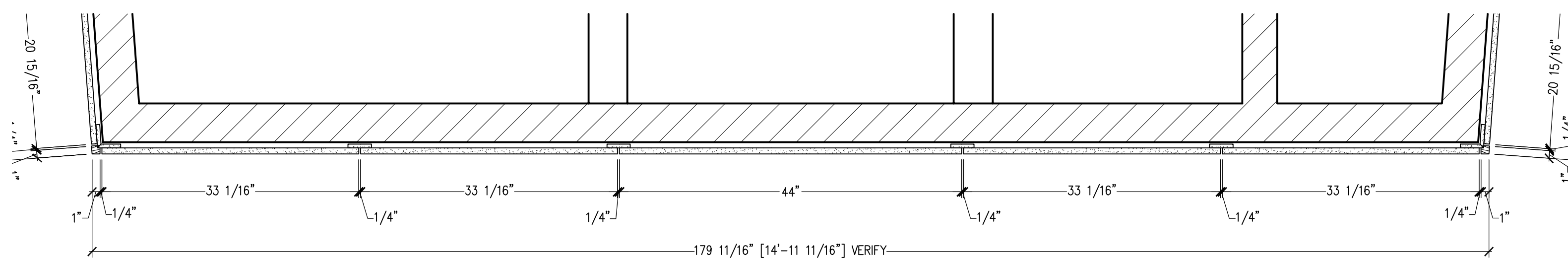
7 DETAIL  
17-3 SCALE: 6" = 12" REF: NONE

PROJECT NO.		
CUTBILL NO.		
PSI WORK ORDER NO.		
SCALE AS SHOWN		
DRAWN BY	DATE	
TM	06/15/06	
DELIVERY DATE		
REVISIONS		
NO.	DATE	DESCRIPTION
1		
2		
3		
4		
5		
6		
7		
8		
9		
10		
11		
12		
SHEET NO.		

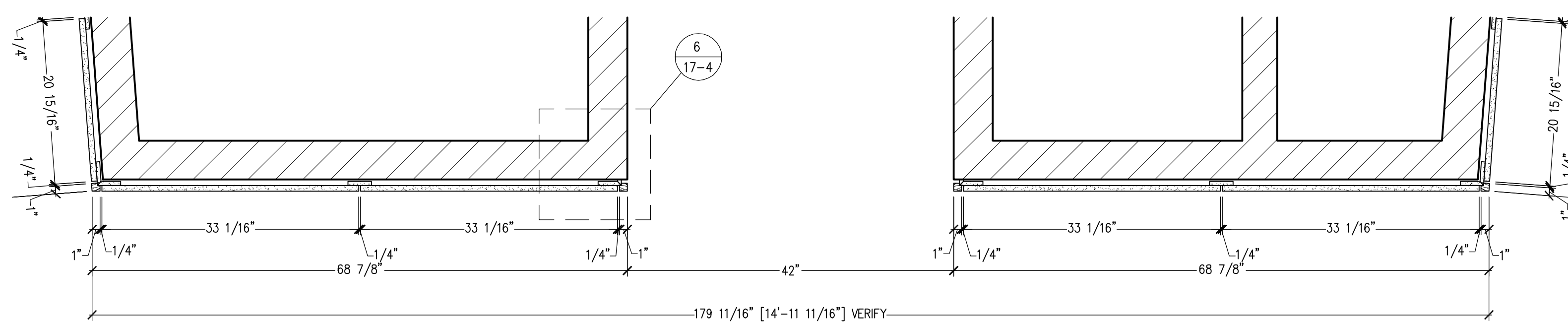
17-3  
PRELIMINARY



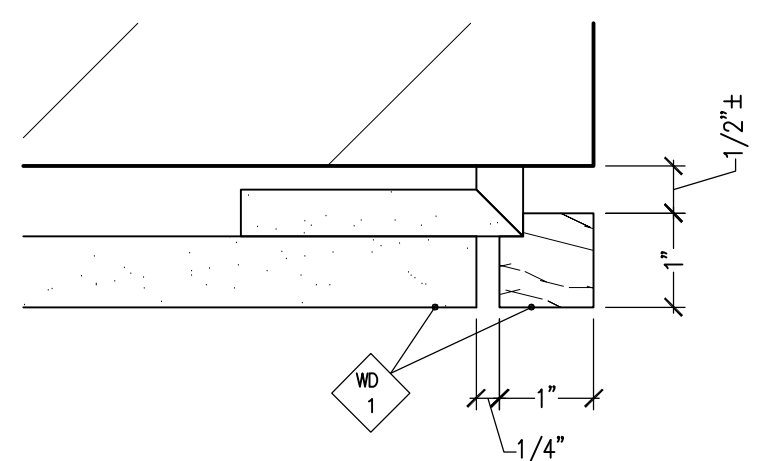
1 ELEVATION  
17-4 SCALE: 3/8"=12" REF: 6/A-415 UNIT SECRETARY 2A22



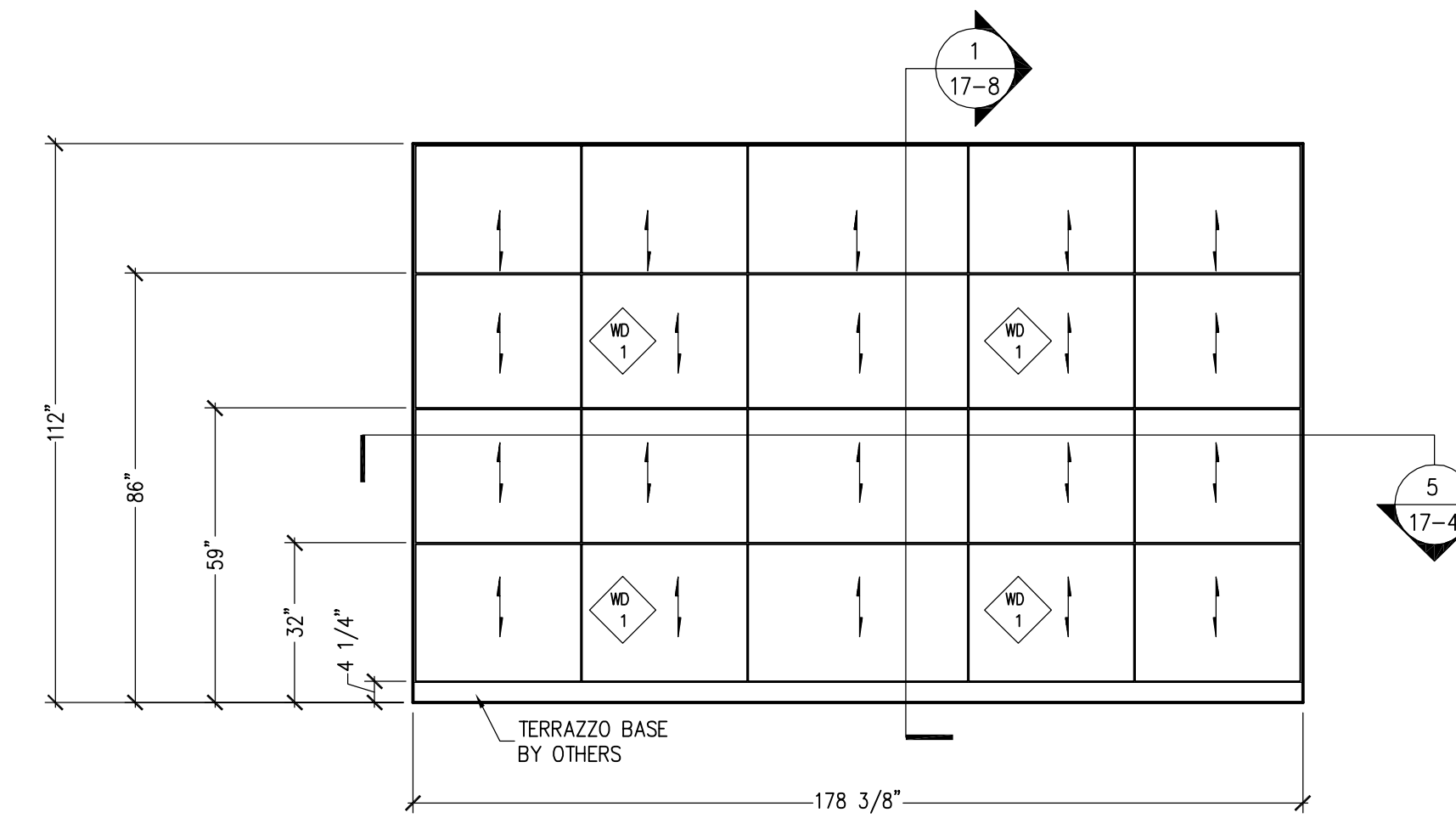
2 HORIZONTAL SECTION  
17-4 SCALE: 1" = 12" REF: NONE



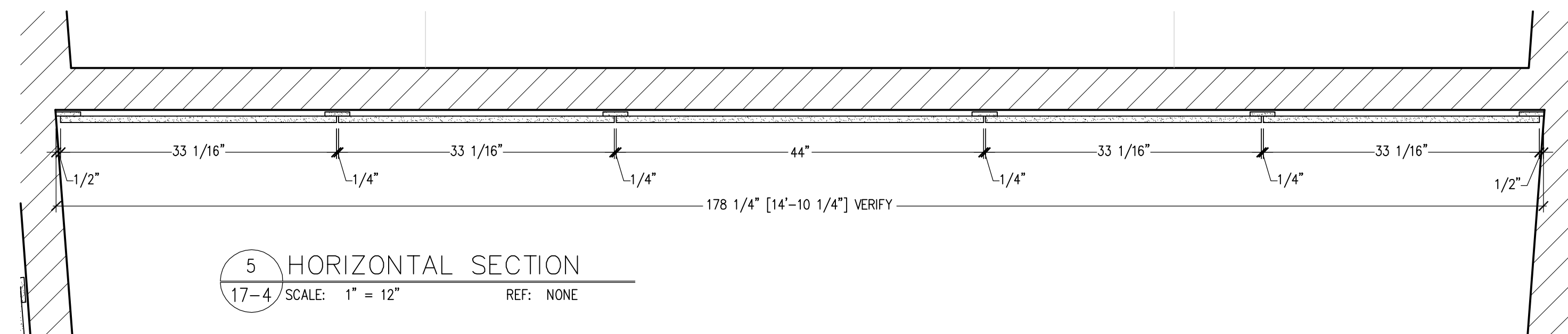
3 HORIZONTAL SECTION  
17-4 SCALE: 1" = 12" REF: NONE



6 HORIZONTAL SECTION  
17-4 SCALE: 1" = 12" REF: NONE



4 ELEVATION  
17-4 SCALE: 3/8"=12" REF: 11/A-415 WORKROOM 2A21



5 HORIZONTAL SECTION  
17-4 SCALE: 1" = 12" REF: NONE

PROJECT NO.

CUTBILL NO.

PSI WORK ORDER NO.

SCALE  
AS SHOWN

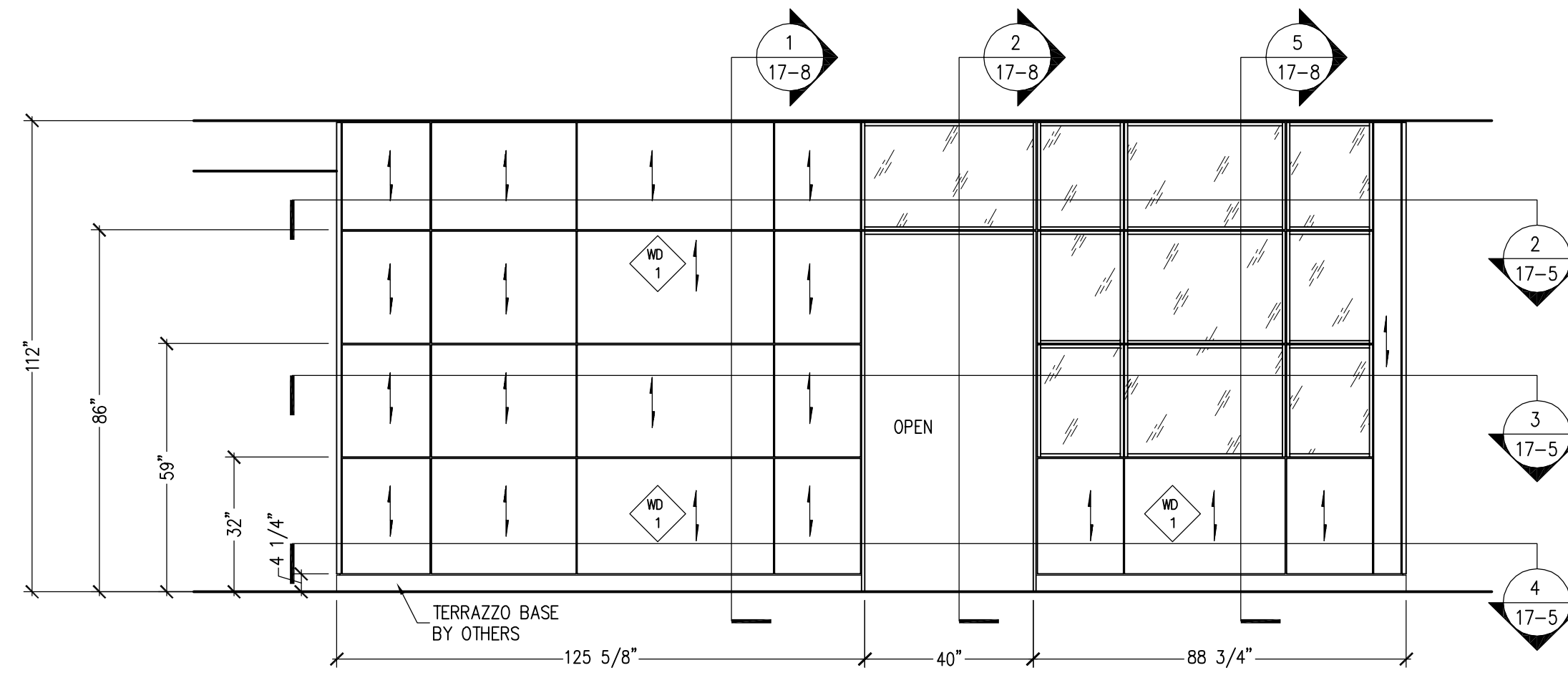
DRAWN BY  
TM DATE  
06/15/06

DELIVERY DATE

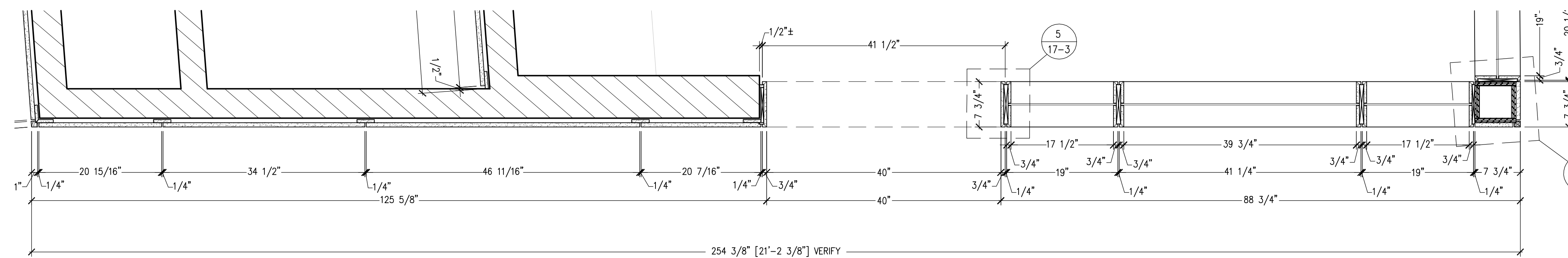
REVISIONS		
NO.	DATE	DESCRIPTION
1		
2		
3		
4		
5		
6		
7		
8		
9		
10		
11		
12		

SHEET NO.

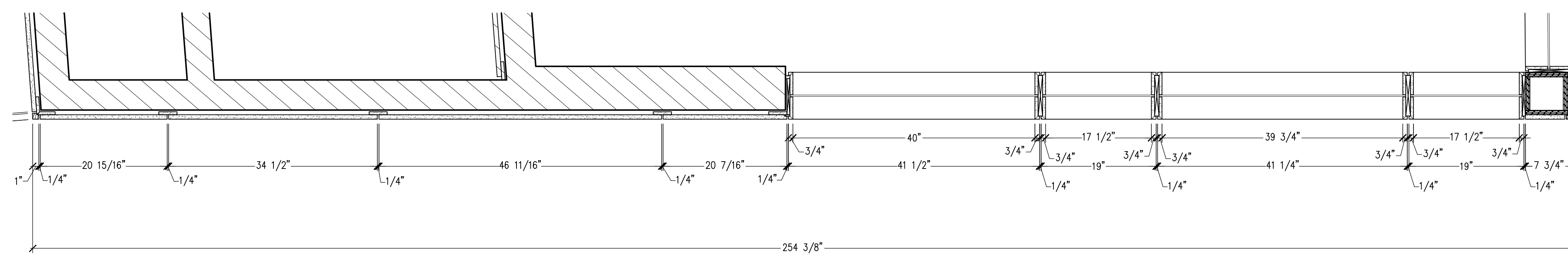
17-4  
PRELIMINARY



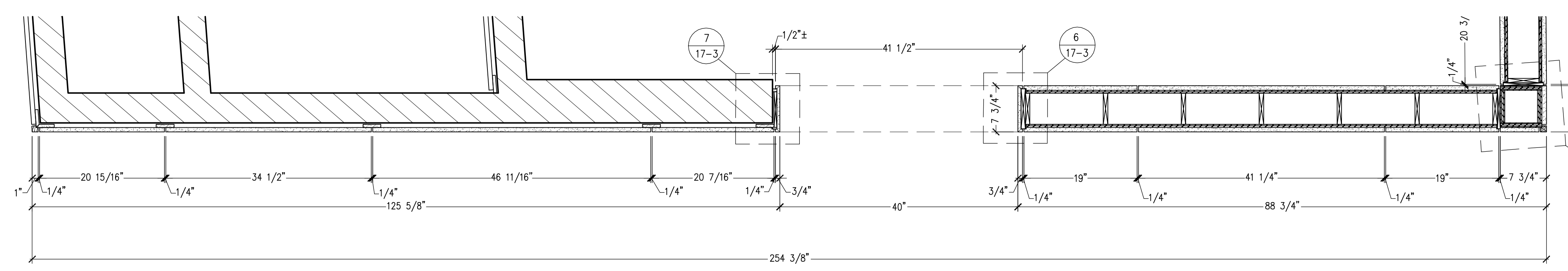
1 ELEVATION CORRIDOR 2B34  
 17-5 SCALE: 3/8"=12" REF: 7/A-415



3 HORIZONTAL SECTION  
 17-5 SCALE: 1" = 12" REF: NONE



2 HORIZONTAL SECTION  
 17-5 SCALE: 1" = 12" REF: NONE



4 HORIZONTAL SECTION  
 17-5 SCALE: 1" = 12" REF: NONE

PROJECT NO.

CUTBILL NO.

PSI WORK ORDER NO.

SCALE  
AS SHOWN

DRAWN BY  
TM

DATE  
06/16/06

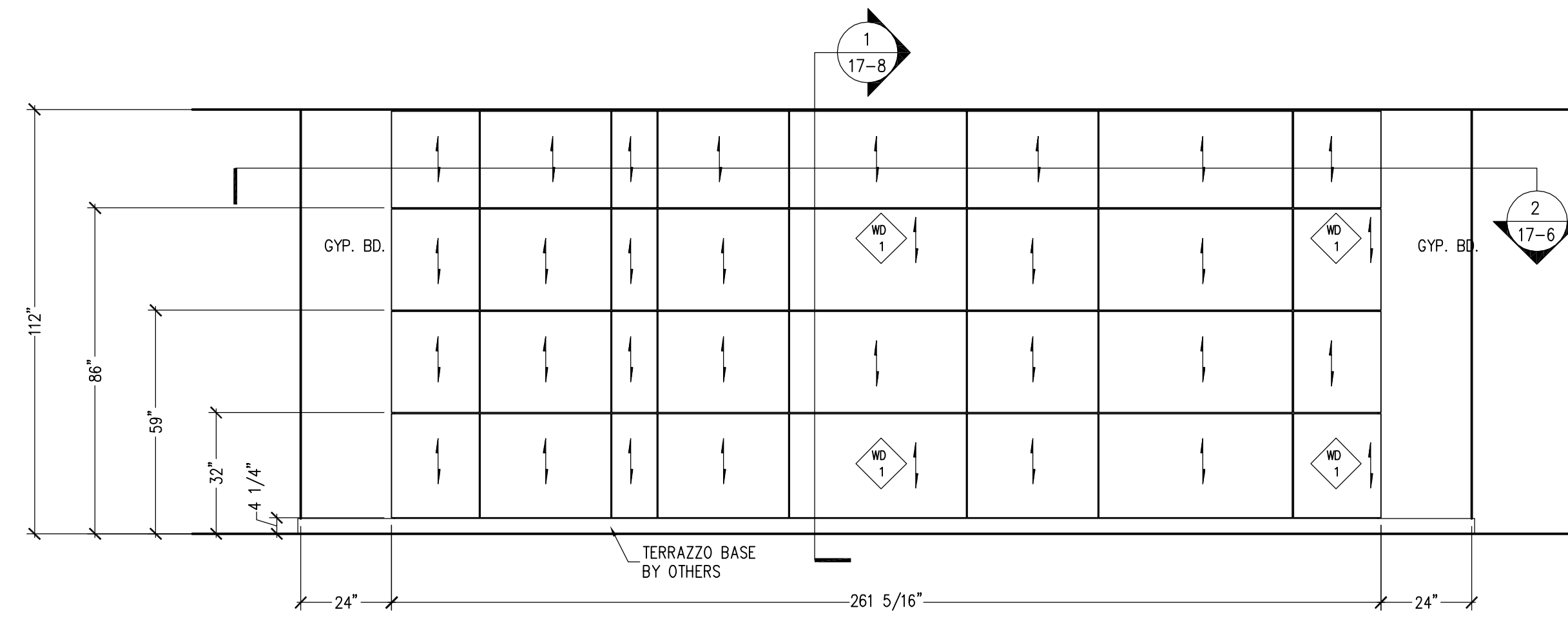
DELIVERY DATE

REVISIONS		
NO.	DATE	DESCRIPTION
1		
2		
3		
4		
5		
6		
7		
8		
9		
10		
11		
12		

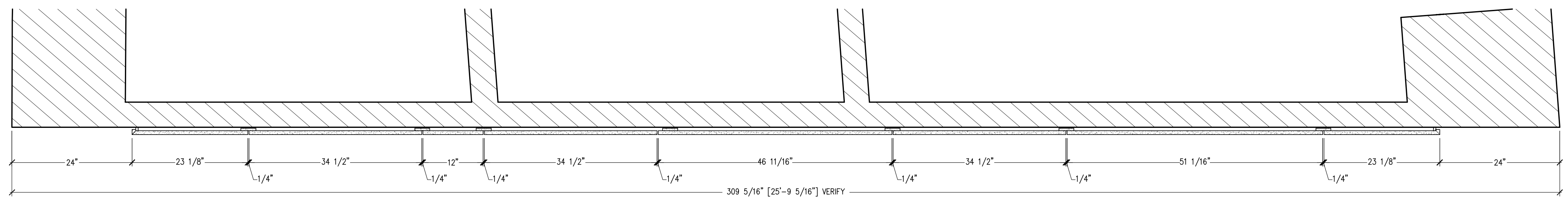
SHEET NO.

17-5

PRELIMINARY



1 ELEVATION  
 17-6 SCALE: 3/8"=12" CORRIDOR 2B34  
 REF: 13/A-415



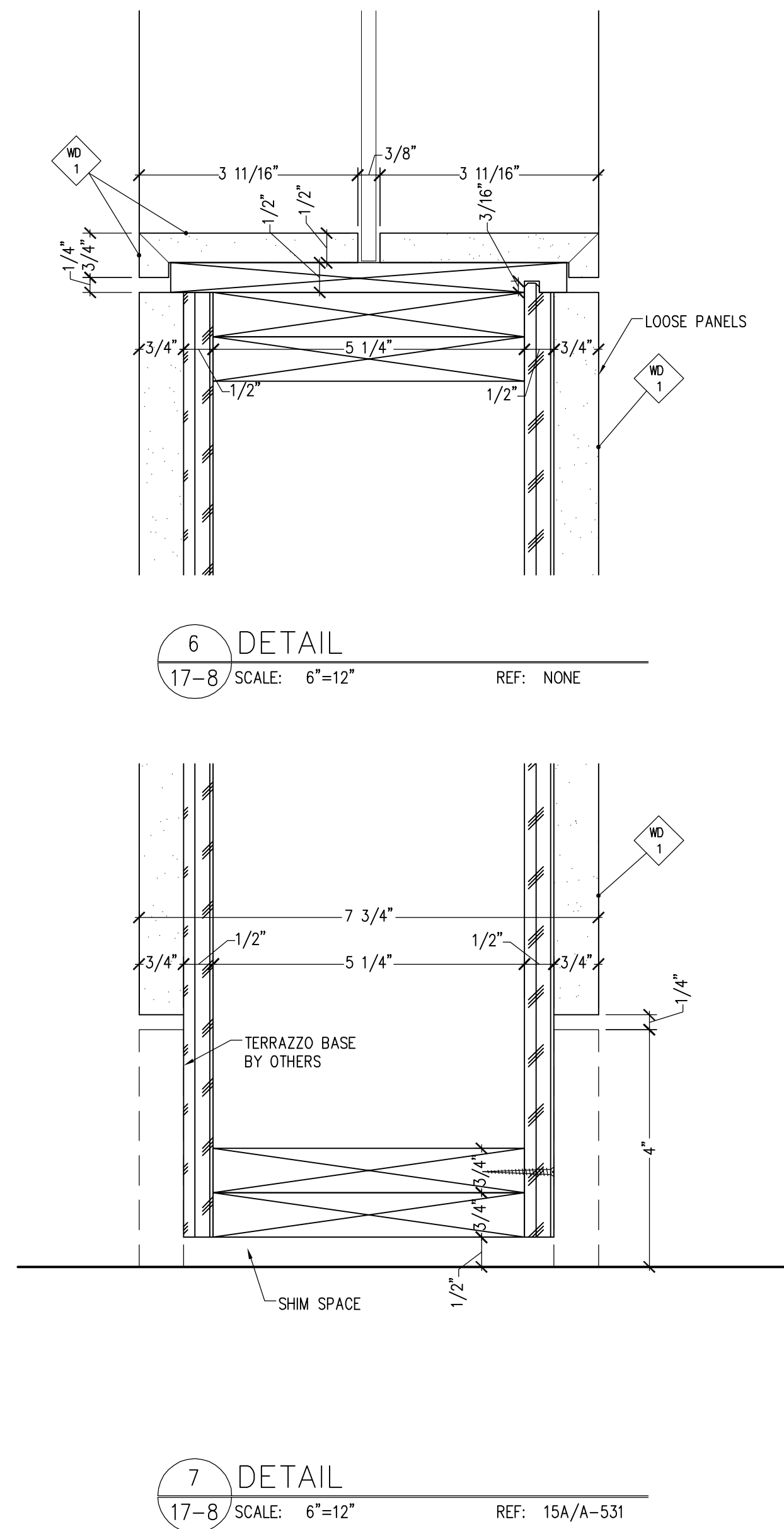
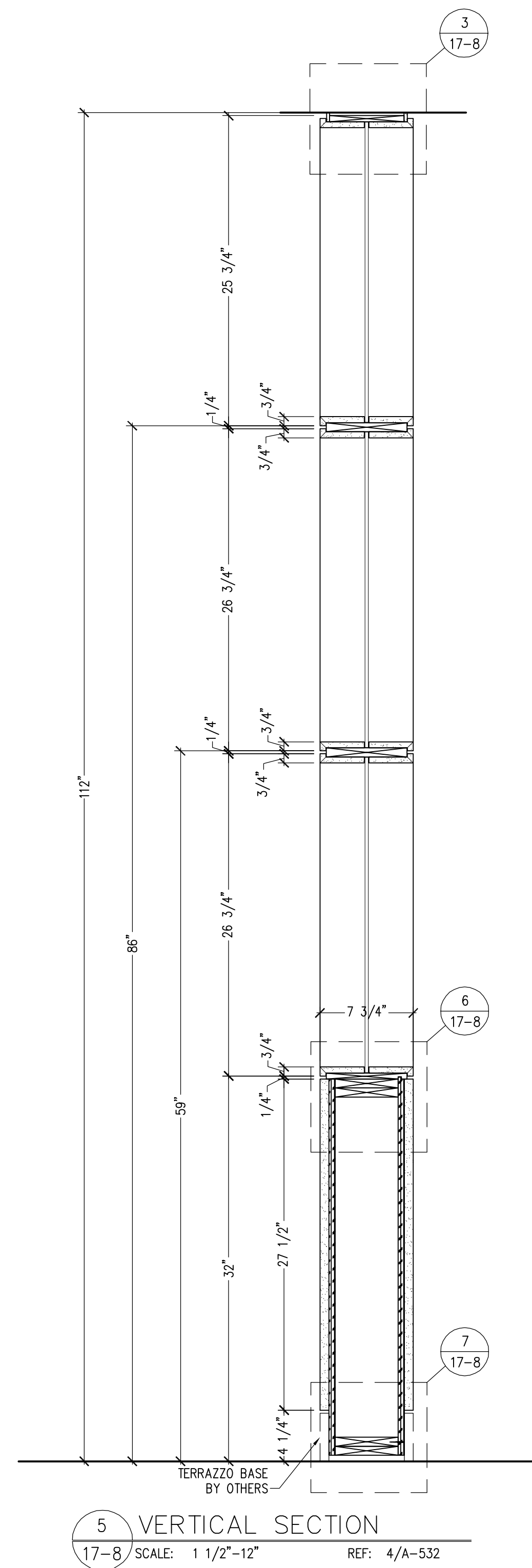
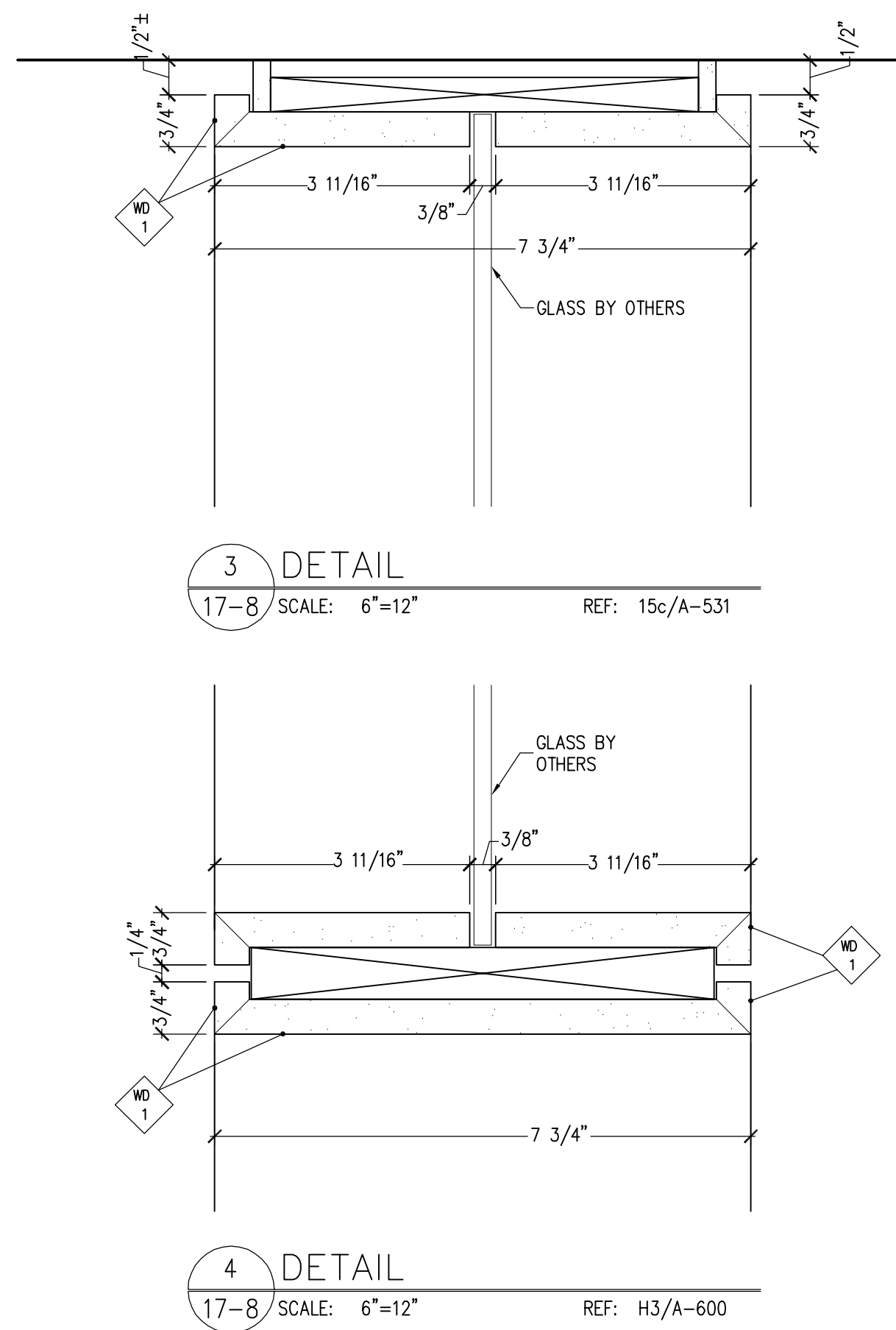
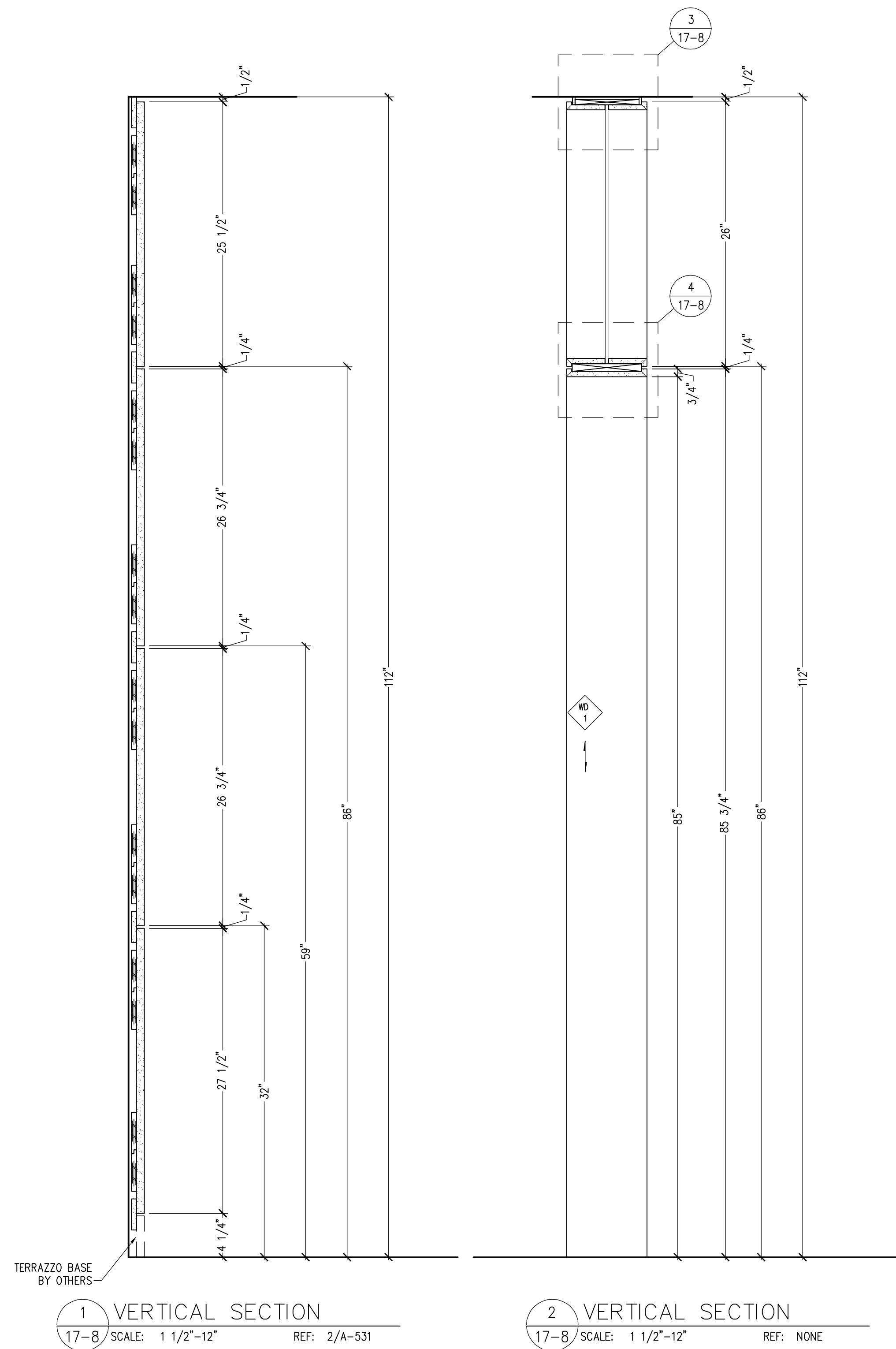
2 HORIZONTAL SECTION  
 17-6 SCALE: 1" = 12" REF: NONE

PROJECT NO.	
CUTBILL NO.	
PSI WORK ORDER NO.	
SCALE AS SHOWN	
DRAWN BY TM	DATE 06/16/06
DELIVERY DATE	

REVISIONS		
NO.	DATE	DESCRIPTION
1		
2		
3		
4		
5		
6		
7		
8		
9		
10		
11		
12		

SHEET NO.  
 17-6  
 PRELIMINARY





PROJECT NO.

CUTBILL NO.

PSI WORK ORDER NO.

SCALE  
AS SHOWN

DRAWN BY  
TM

DATE  
06/16/06

DELIVERY DATE

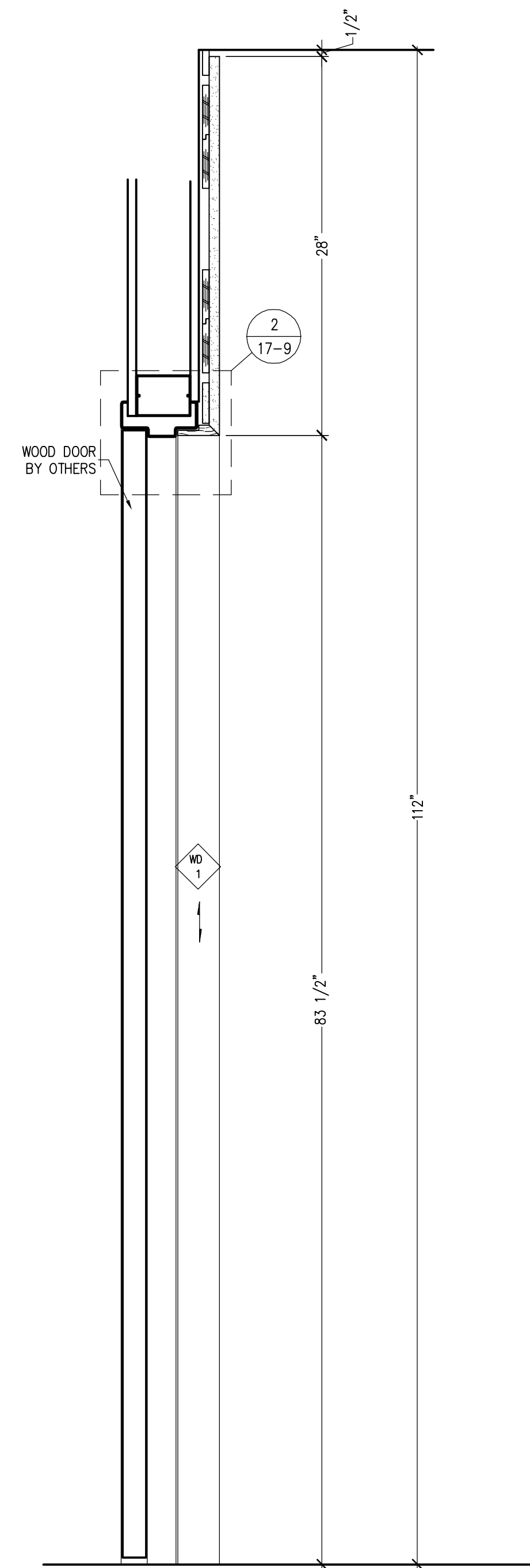
REVISIONS		
NO.	DATE	DESCRIPTION
1		
2		
3		
4		
5		
6		
7		
8		
9		
10		
11		
12		

SHEET NO.

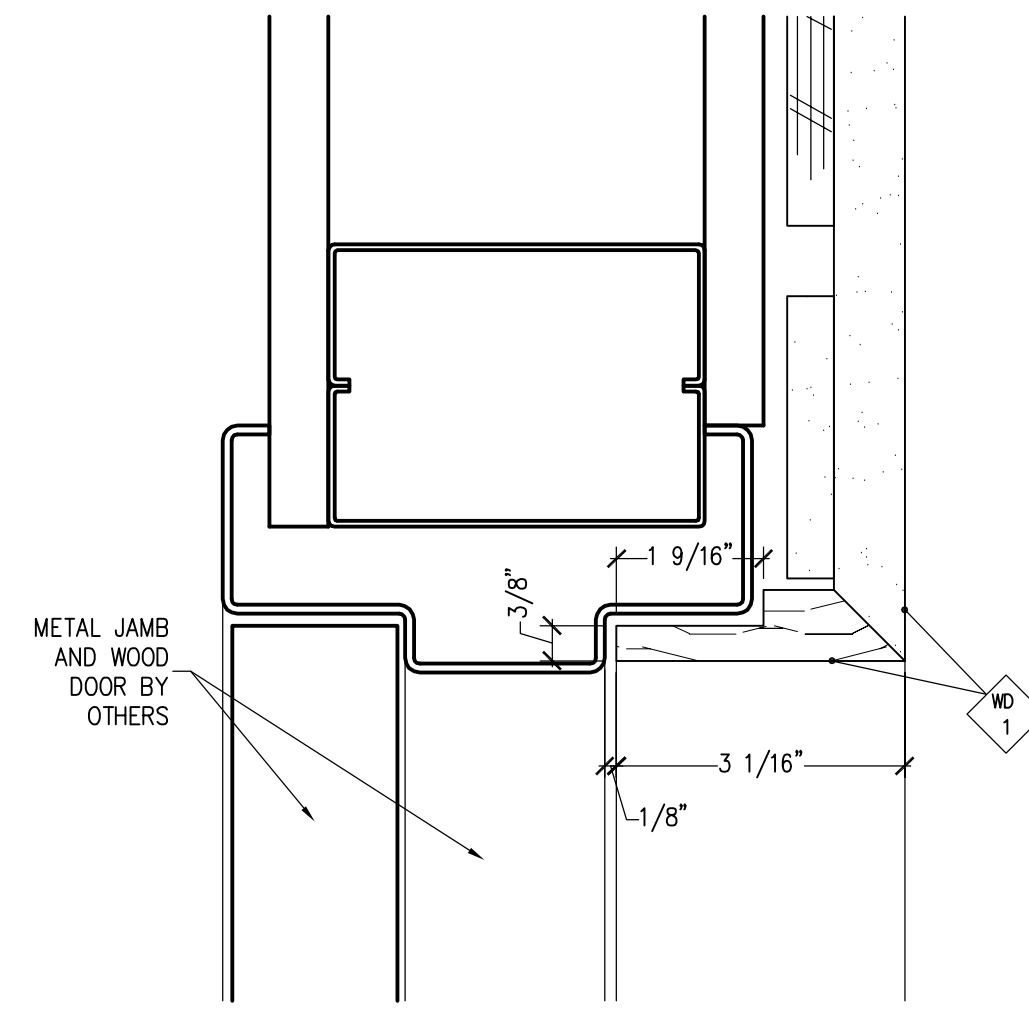
17-8

PRELIMINARY

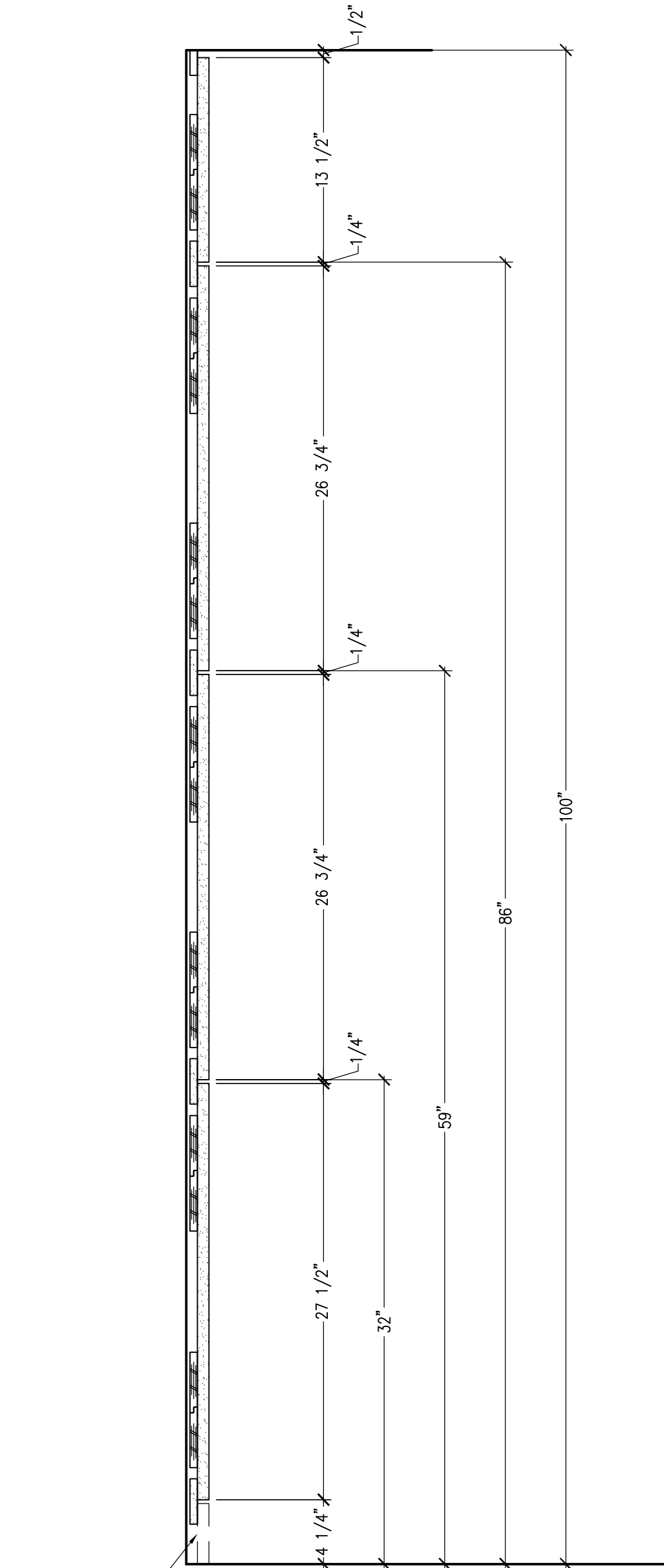




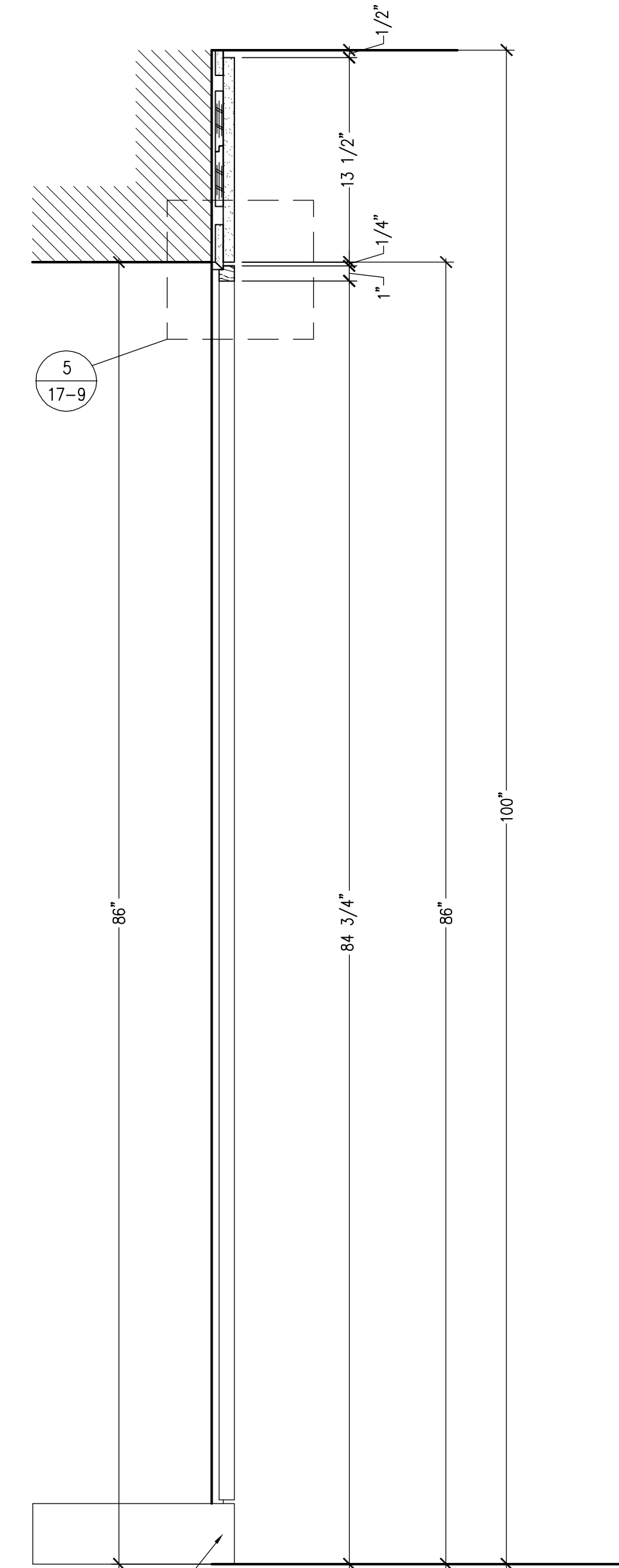
1 VERTICAL SECTION  
17-9 SCALE: 1 1/2"-12" REF: NONE



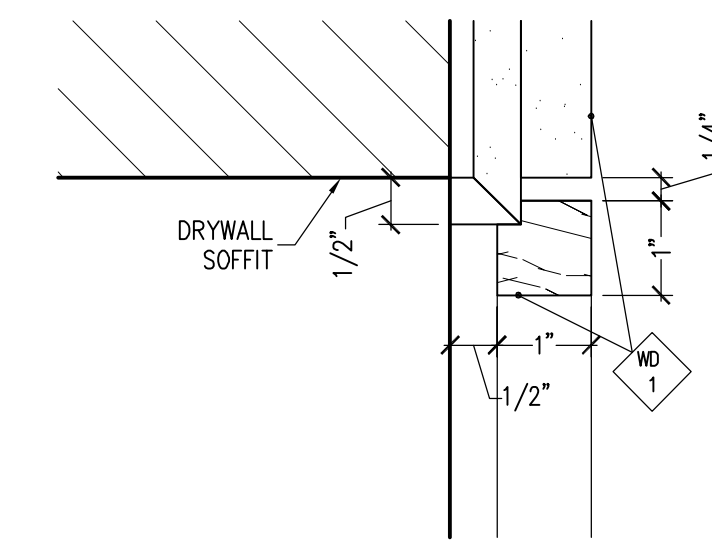
2 DETAIL  
17-9 SCALE: 6"-12" REF: J9/A-600



3 VERTICAL SECTION  
17-9 SCALE: 1 1/2"-12" REF: NONE



4 VERTICAL SECTION  
17-9 SCALE: 1 1/2"-12" REF: NONE



5 DETAIL  
17-9 SCALE: 6"-12" REF: NONE

PROJECT NO.

CUTBILL NO.

PSI WORK ORDER NO.

SCALE  
AS SHOWN

DRAWN BY  
TM

DATE  
06/16/06

DELIVERY DATE

REVISIONS

NO.	DATE	DESCRIPTION
1		
2		
3		
4		
5		
6		
7		
8		
9		
10		
11		
12		

SHEET NO.

17-9  
PRELIMINARY