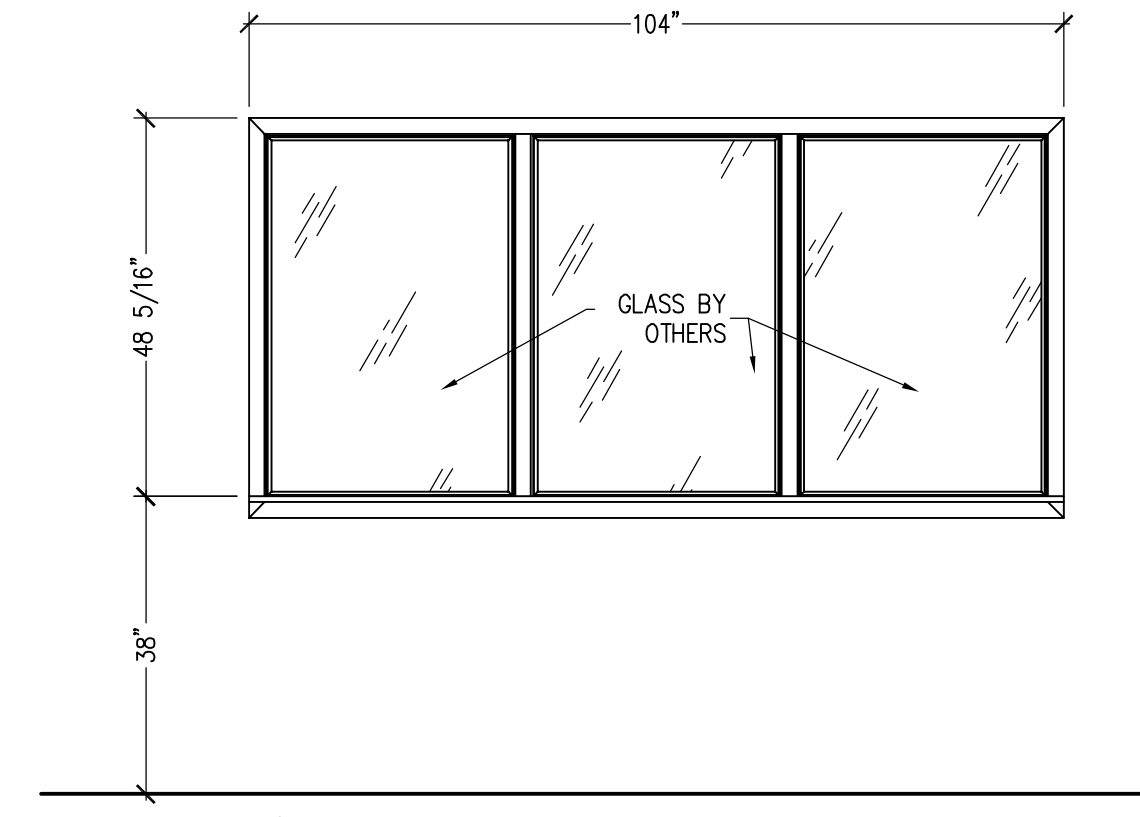
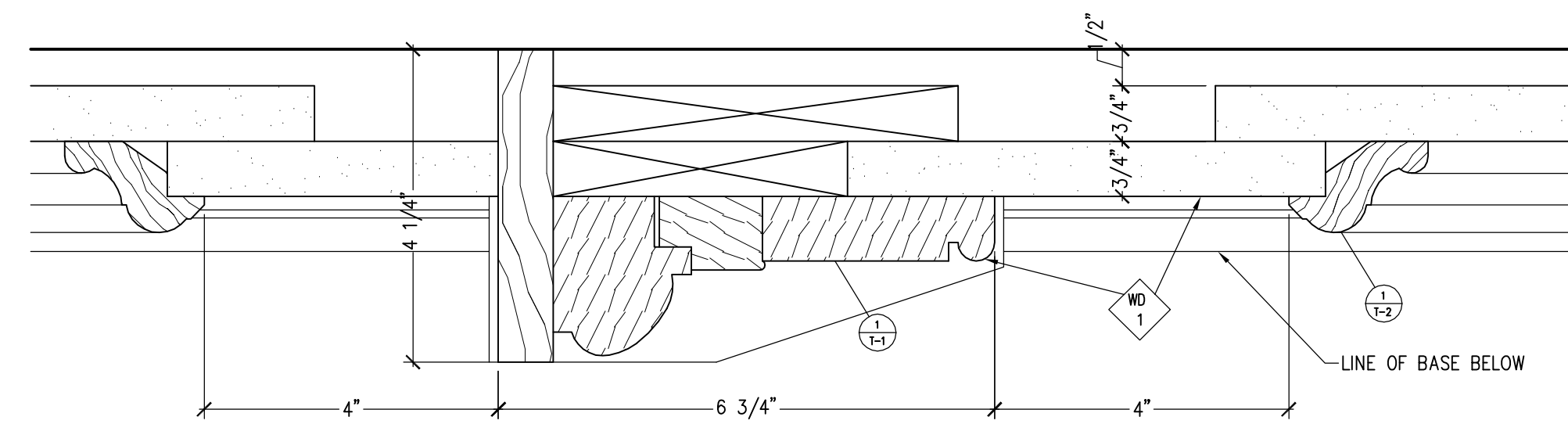


1 ELEVATION
 15-1 SCALE: 1/2"=12" REF: E5/A606
 SANCTUARY SIDE

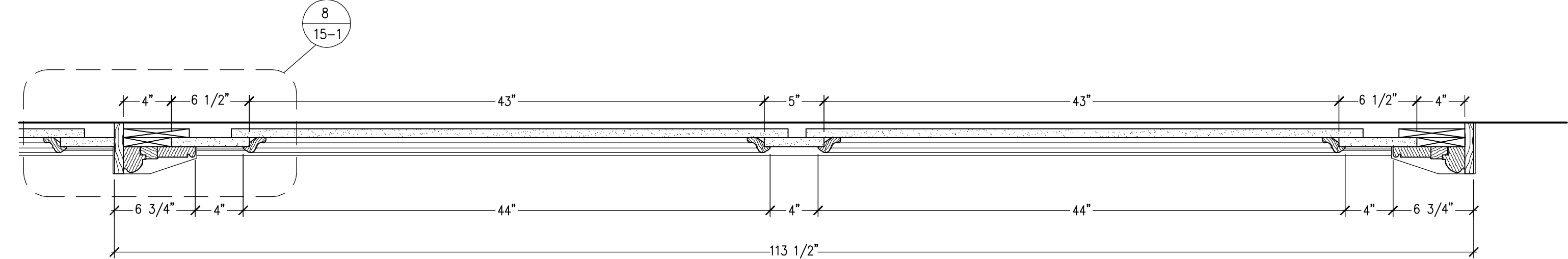


2 ELEVATION
 15-1 SCALE: 1/2"=12" REF: NONE
 FAMILY RM SIDE

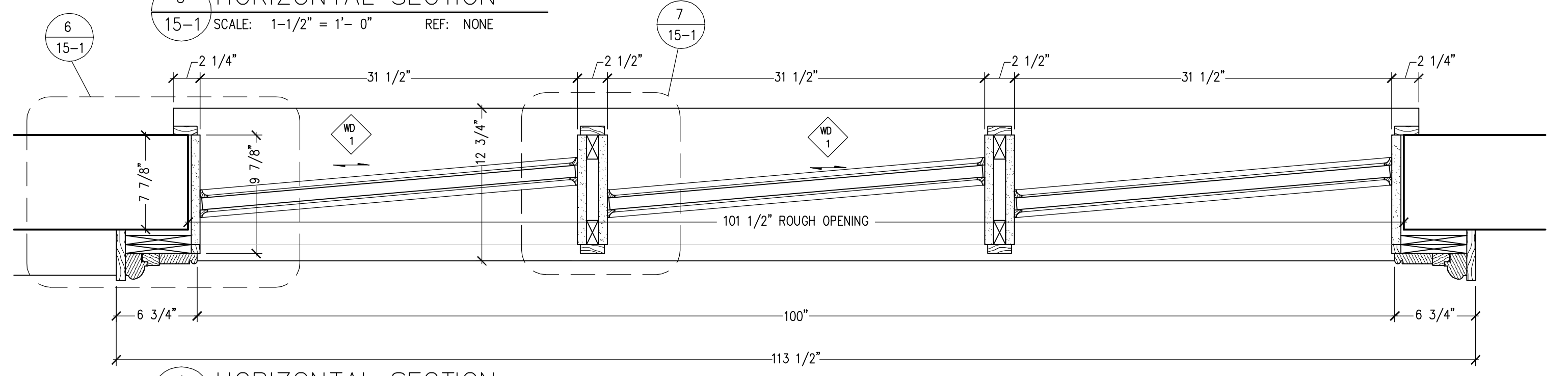


8 CASING DETAIL
 15-1 SCALE: 6" = 1'- 0" REF: C7/A602

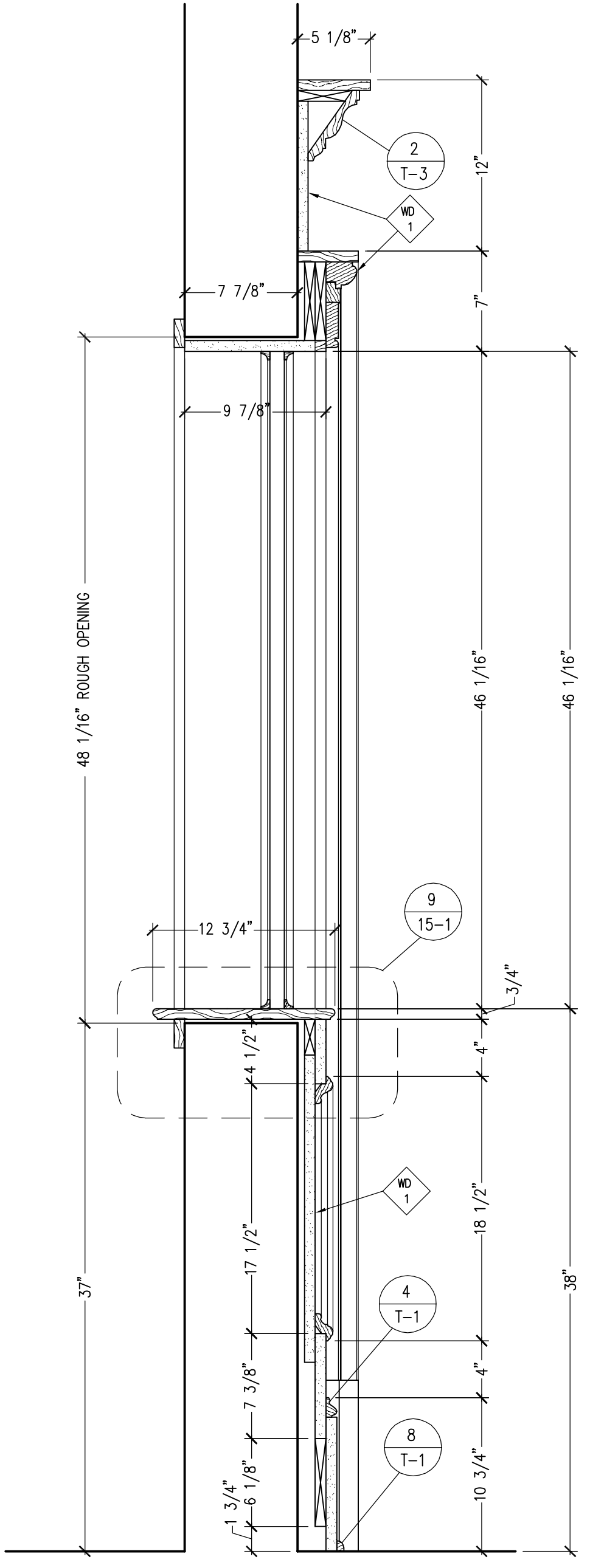
MATERIAL SPECIFICATIONS			
TYPE	DESCRIPTION	M.R.	
CORE	MDF		
VENEER	WD-1 Plain Sliced Cherry		
SOLID	WD-1 Plain Sawn Cherry		
FINISH	WD-1, MATCH SAMPLE		
HARDWARE LIST			
QTY:	DESCRIPTION	M.R.	
INFORMATION SYSTEMS			
ITEM #	DESCRIPTION	CUST.	PROD.



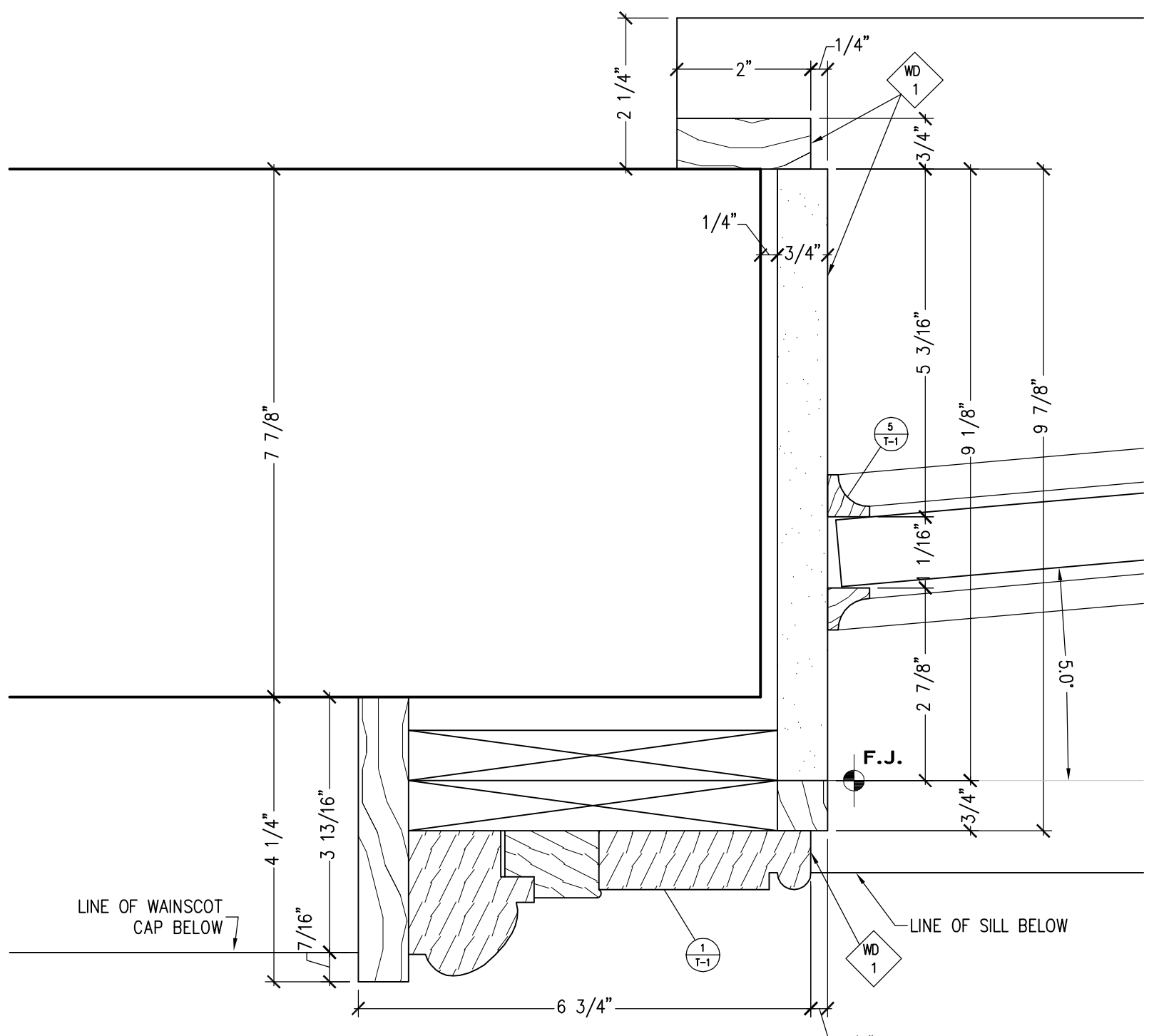
3 HORIZONTAL SECTION
 15-1 SCALE: 1-1/2" = 1'- 0" REF: NONE



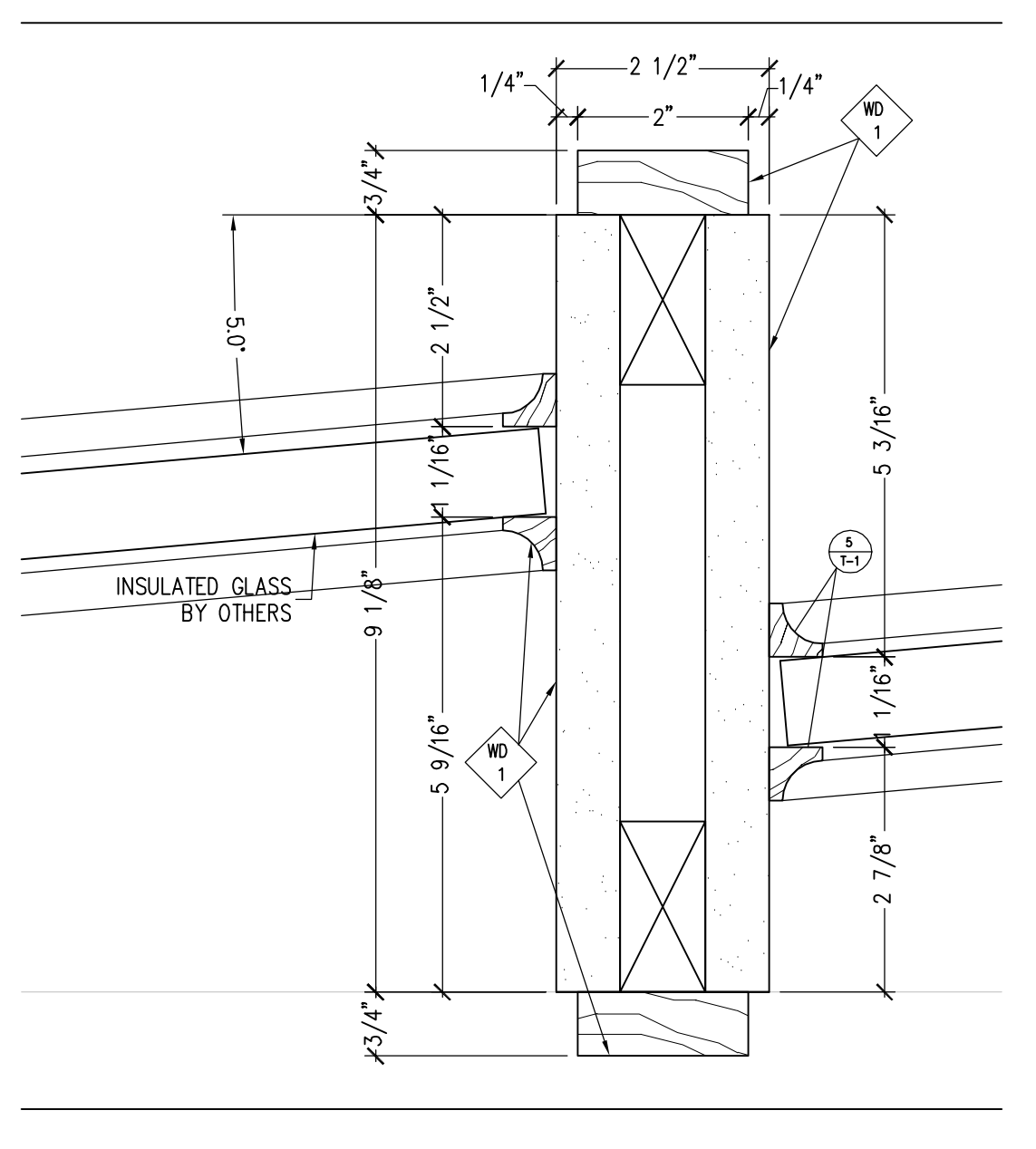
4 HORIZONTAL SECTION
 15-1 SCALE: 1-1/2" = 1'- 0" REF: A11/A031, M7/A606



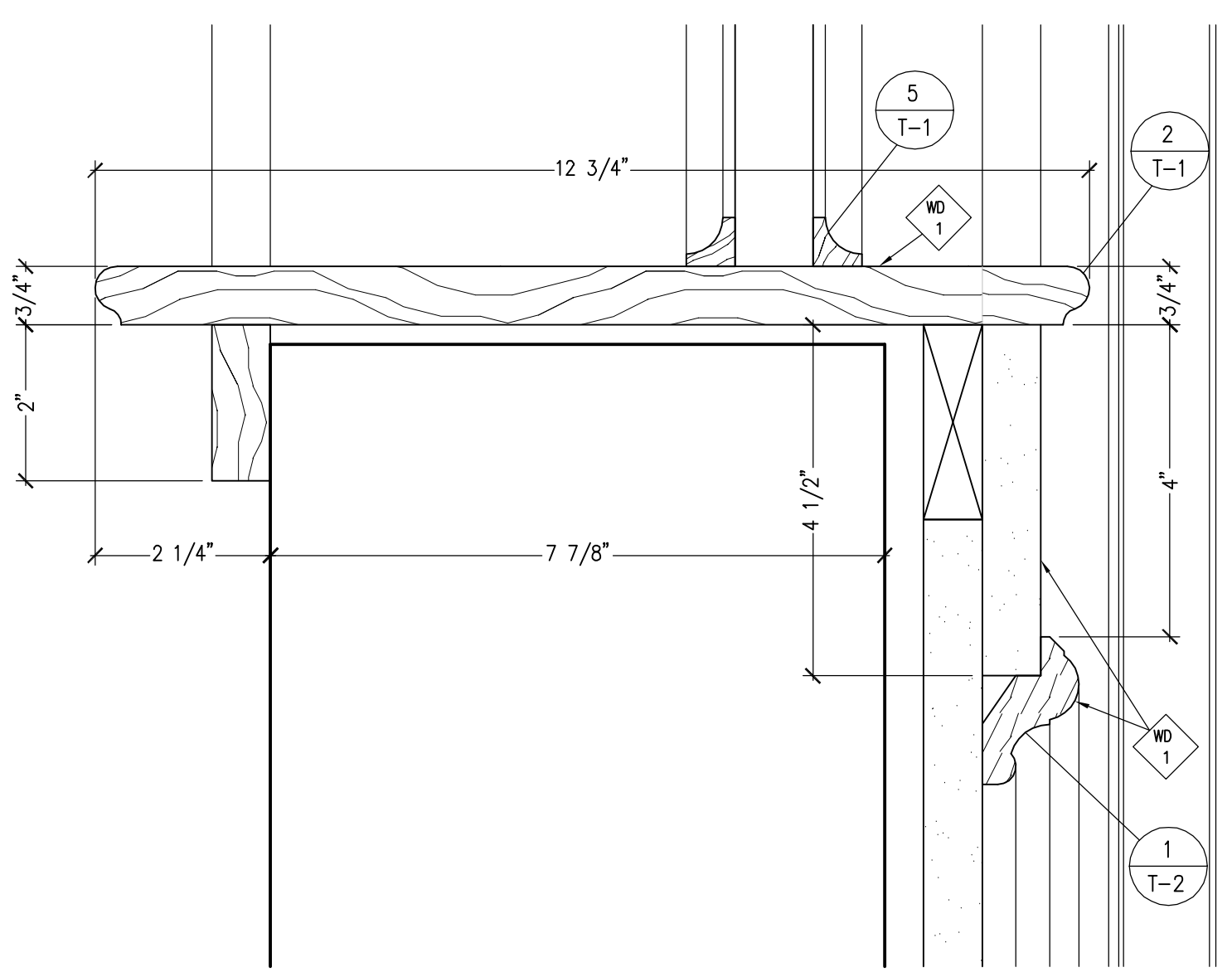
5 VERTICAL SECTION
 15-1 SCALE: 1-1/2" = 1'- 0" REF: NONE



6 JAMB DETAIL
 15-1 SCALE: 6" = 1'- 0" REF: A11/A031, M7/A606



7 MULLION DETAIL
 15-1 SCALE: 6" = 1'- 0" REF: A11/A031, M7/A606



9 SILL DETAIL
 15-1 SCALE: 6" = 1'- 0" REF: G11/A031, J4/A606

PROJECT NO.		
CUTBILL NO.		
PSI WORK ORDER NO.		
SCALE	AS NOTED	
DRAWN BY	DATE	
TM	10/31/05	
DELIVERY DATE		
REVISIONS		
NO.	DATE	DESCRIPTION
1		
2		
3		
4		
5		
6		
7		
8		
9		
10		
11		
12		
SHEET NO.		

15-1
 PRELIMINARY