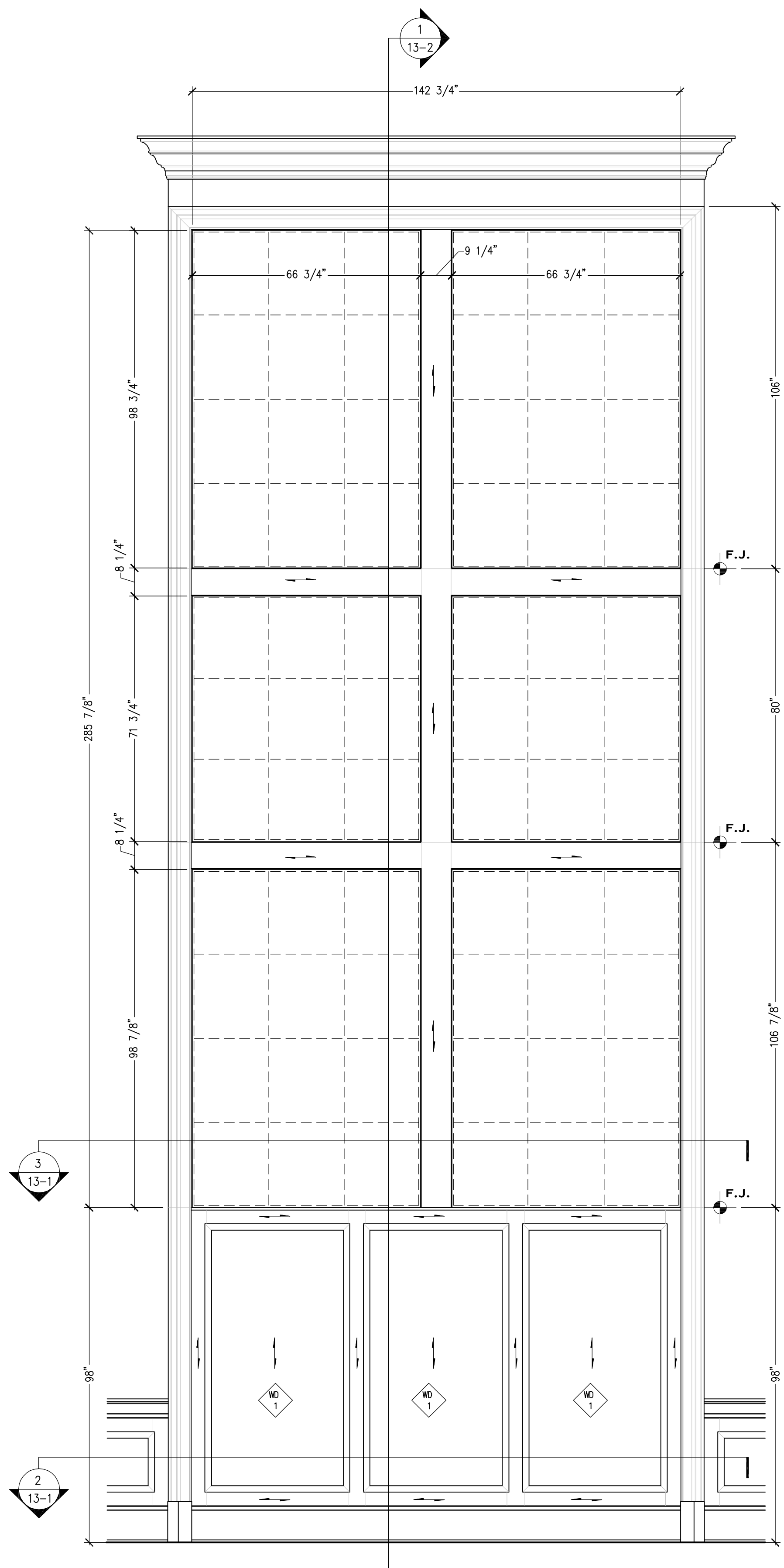
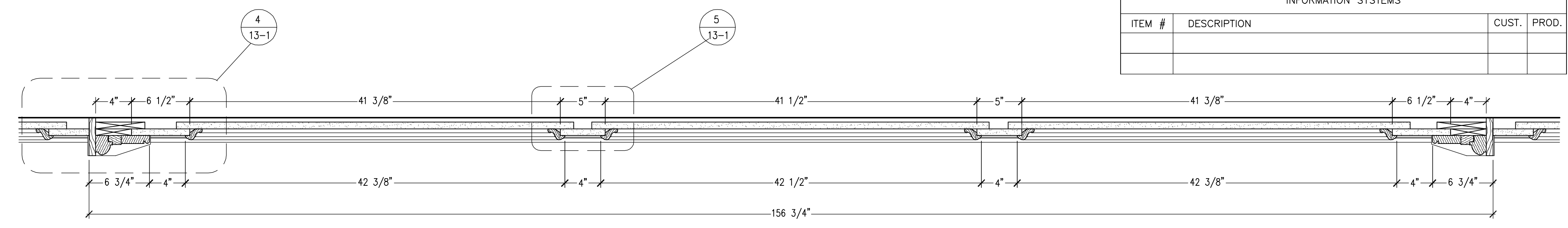


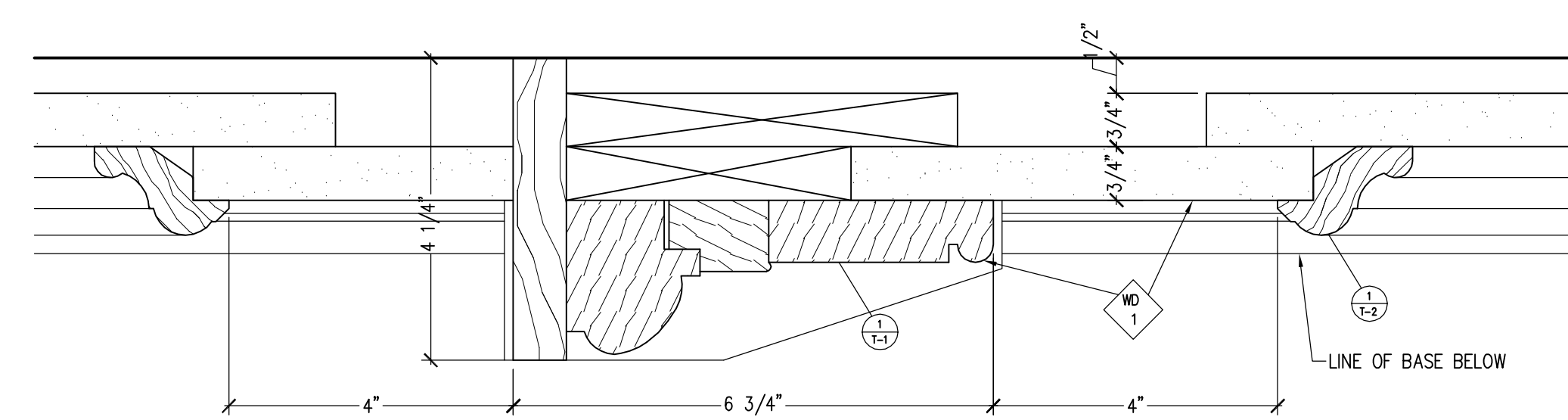
MATERIAL SPECIFICATIONS			
TYPE	DESCRIPTION	M.R.	
CORE	MDF		
VENEER	WD-1 Plain Sliced Cherry		
SOLID	WD-1 Plain Sawn Cherry		
FINISH	WD-1, MATCH SAMPLE		
HARDWARE LIST			
QTY:	DESCRIPTION	M.R.	
INFORMATION SYSTEMS			
ITEM #	DESCRIPTION	CUST.	PROD.



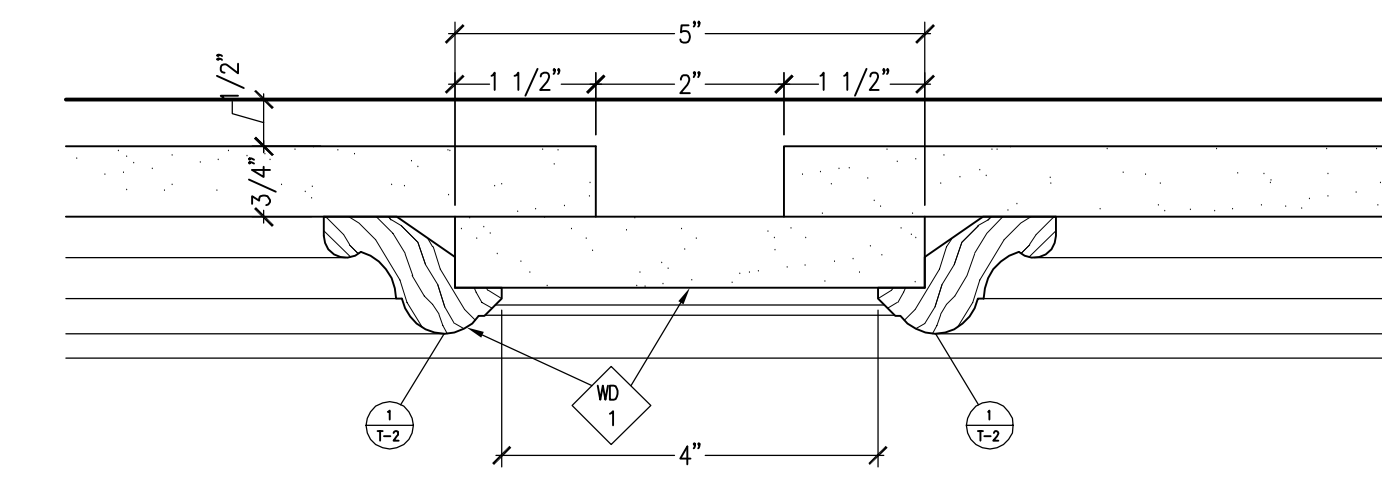
**1 ELEVATION**  
 TYPE "A" WINDOW  
 13-1 SCALE: 1/2"=12" REF: A1/A603  
 THREE (3) UNITS REQUIRED AS SHOWN



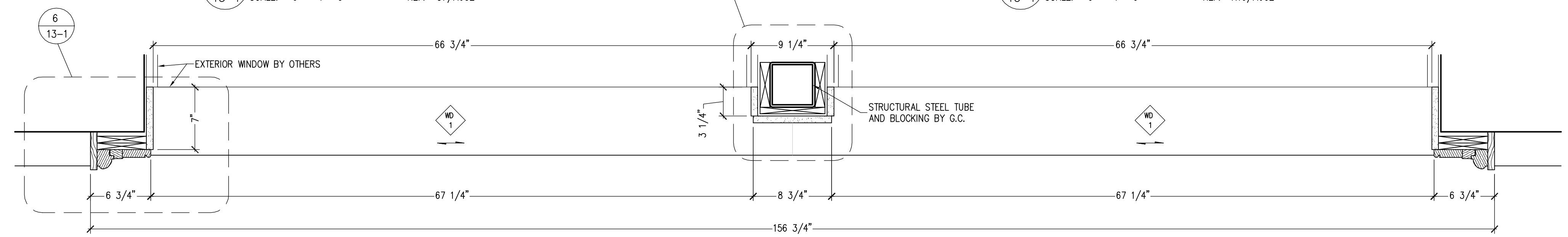
**2 HORIZONTAL SECTION**  
 13-1 SCALE: 1-1/2"=1'-0" REF: NONE



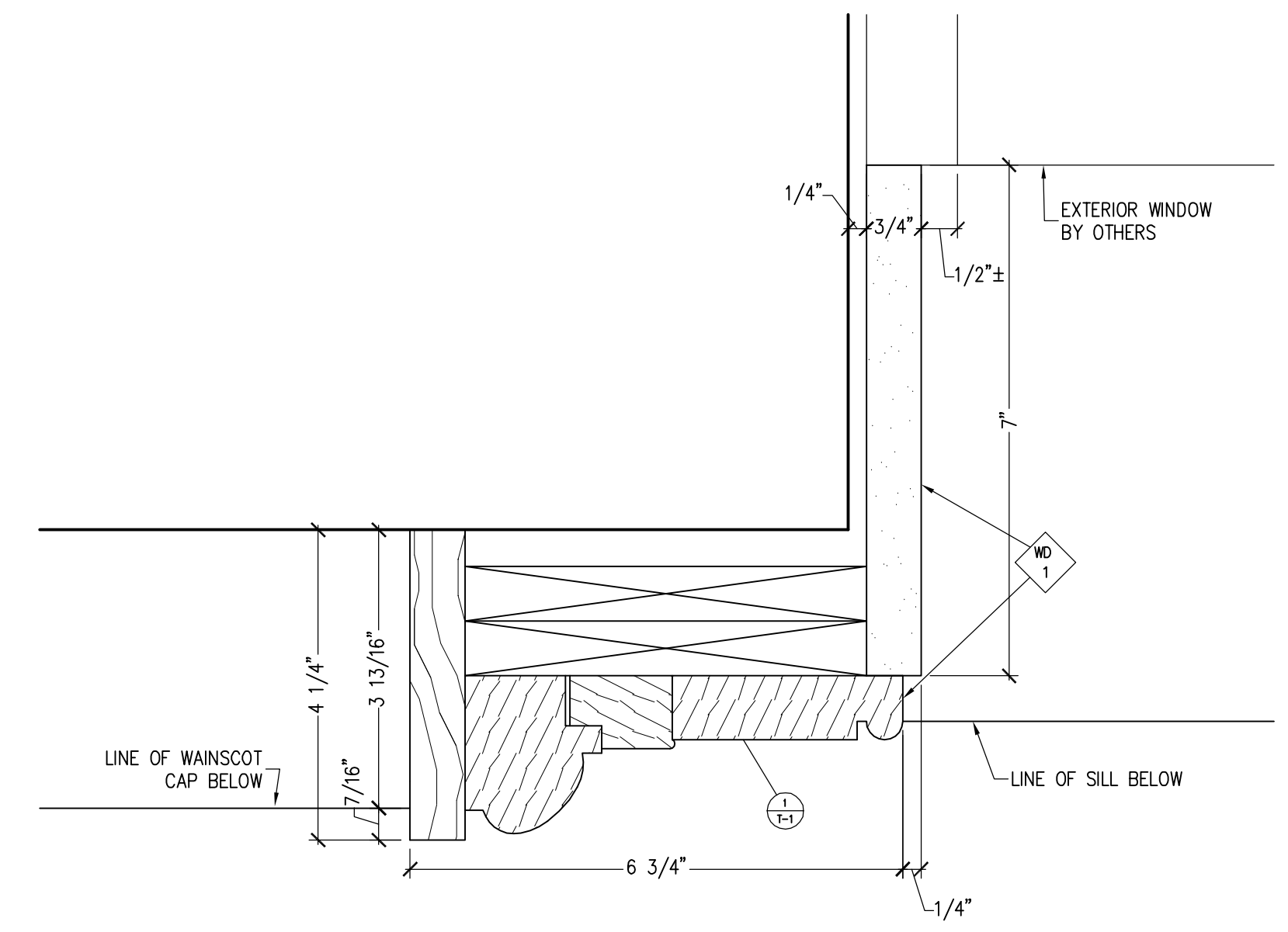
**4 CASING DETAIL**  
 13-1 SCALE: 6"=1'-0" REF: C7/A602



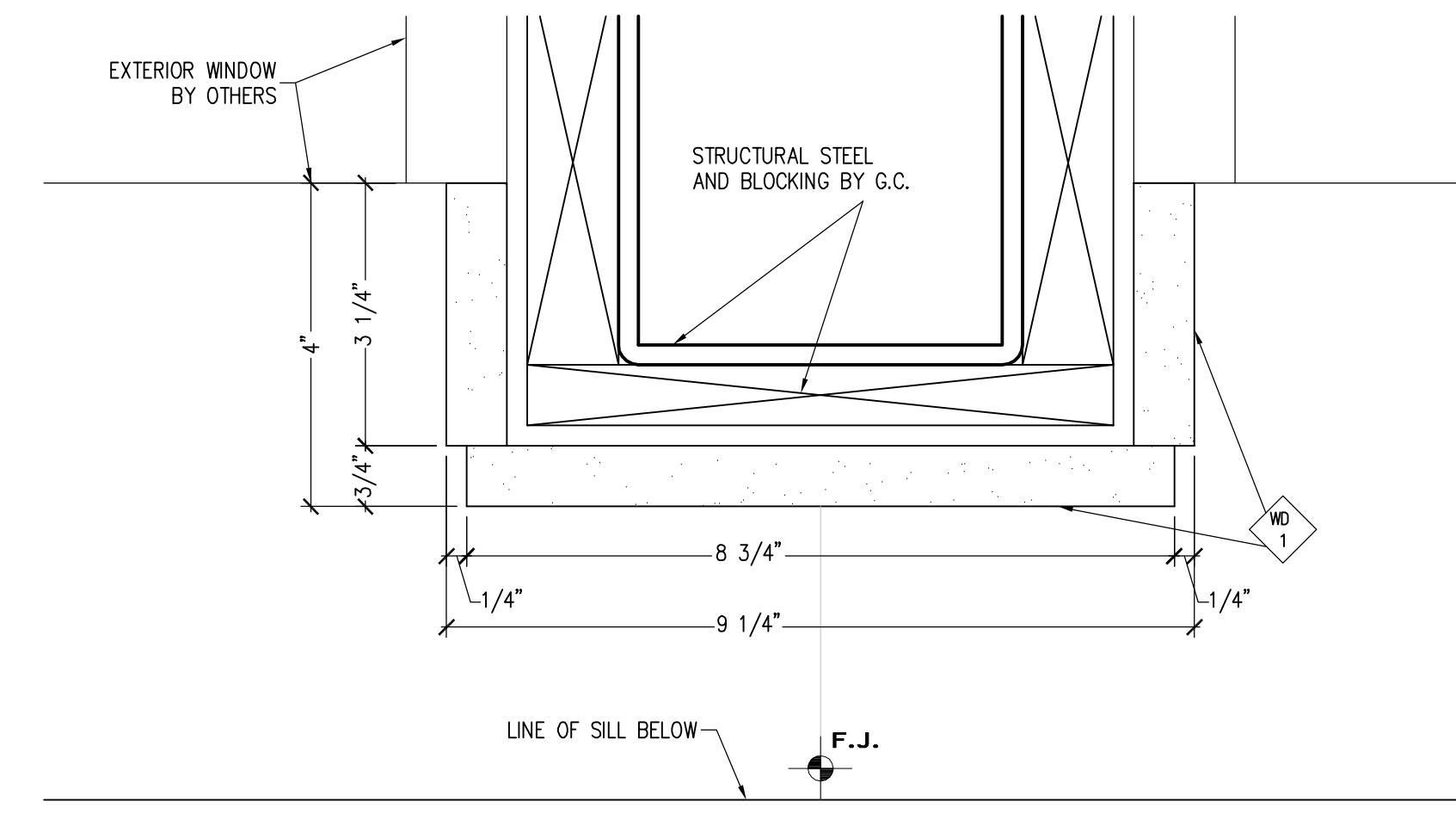
**5 PANEL DETAIL**  
 13-1 SCALE: 6"=1'-0" REF: K16/A602



**3 HORIZONTAL SECTION**  
 13-1 SCALE: 1-1/2"=1'-0" REF: NONE



**6 CASING DETAIL**  
 13-1 SCALE: 6"=1'-0" REF: J4/A602



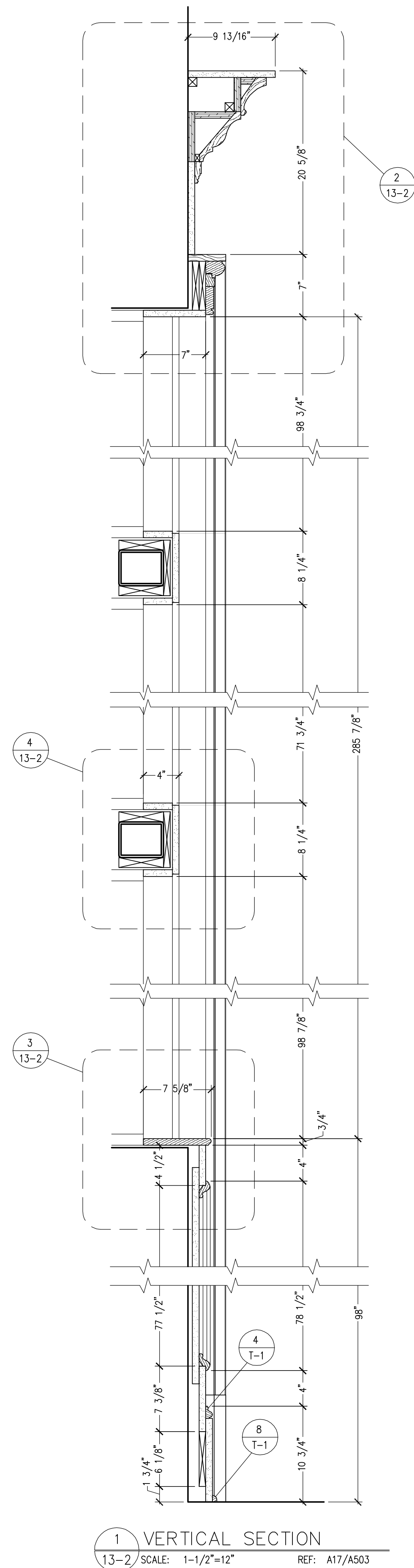
**7 MULLION DETAIL**  
 13-1 SCALE: 6"=1'-0" REF: D1/A602

TYPE "A" WINDOW TRIM

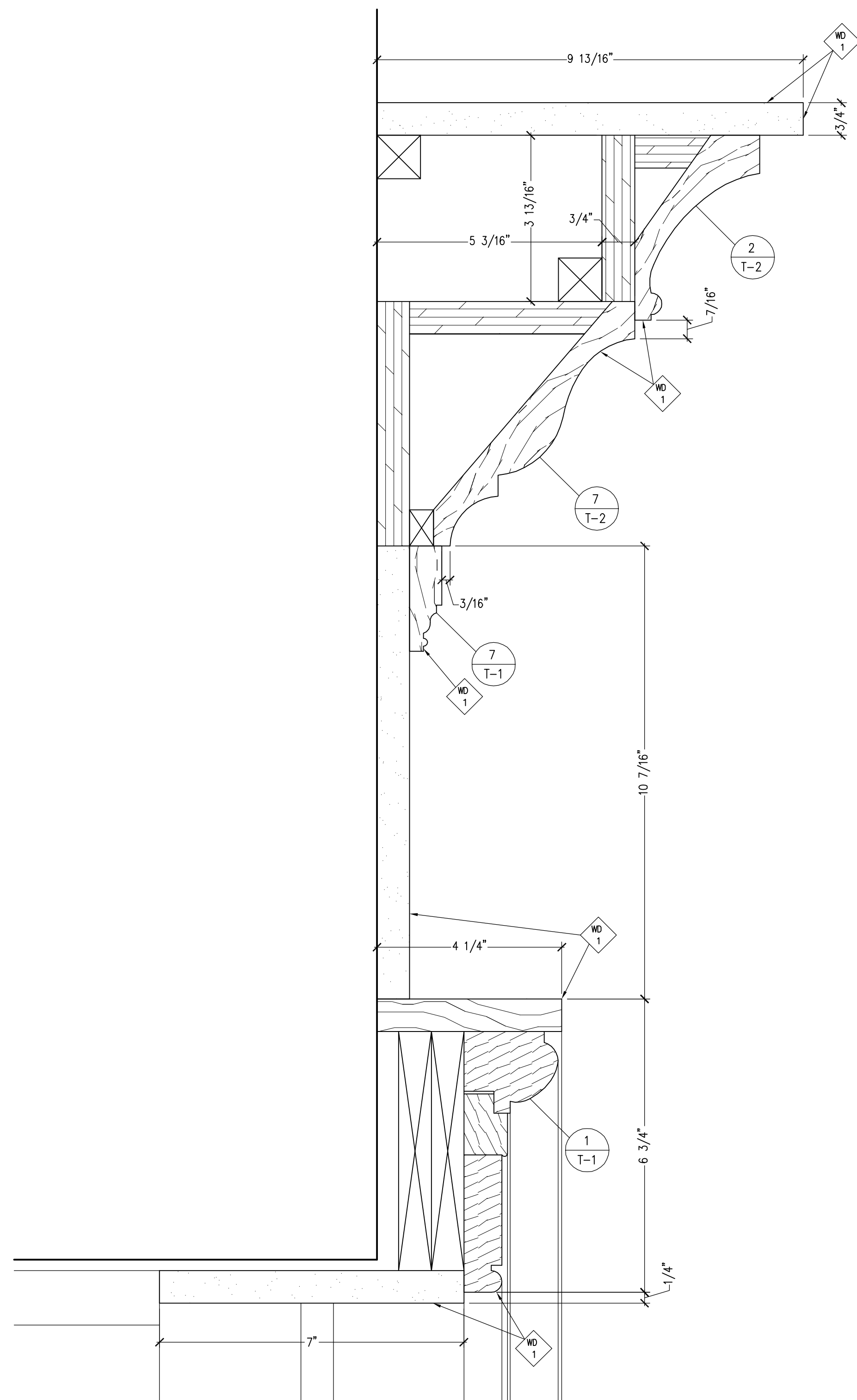
PROJECT NO.  
05-0212  
 CUTBILL NO.  
 PSI WORK ORDER NO.  
 SCALE  
AS NOTED  
 DRAWN BY  
TM  
 DATE  
10/27/05  
 DELIVERY DATE

REVISIONS		
NO.	DATE	DESCRIPTION
1		
2		
3		
4		
5		
6		
7		
8		
9		
10		
11		
12		

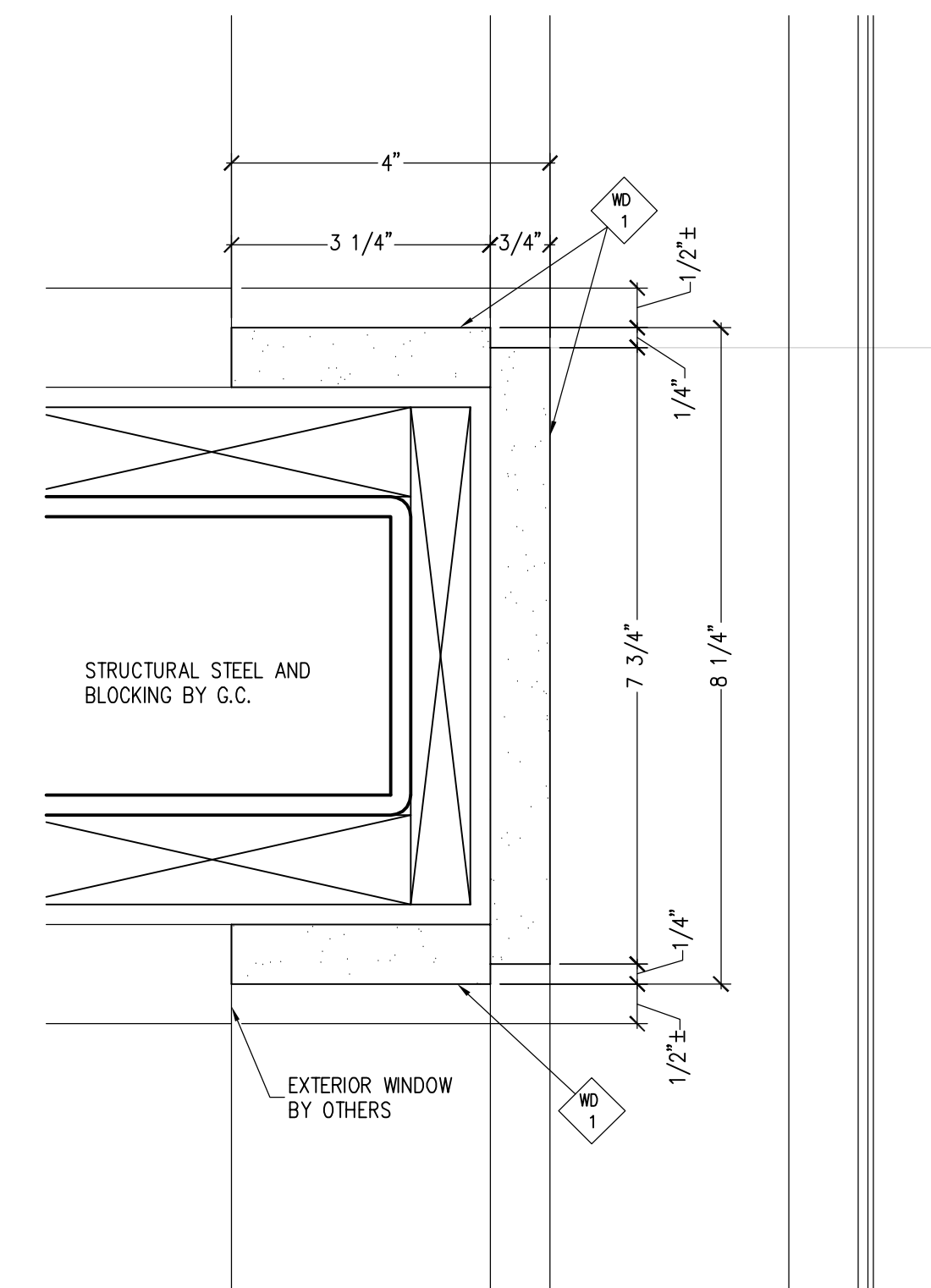
SHEET NO.  
 13-1  
 PRELIMINARY



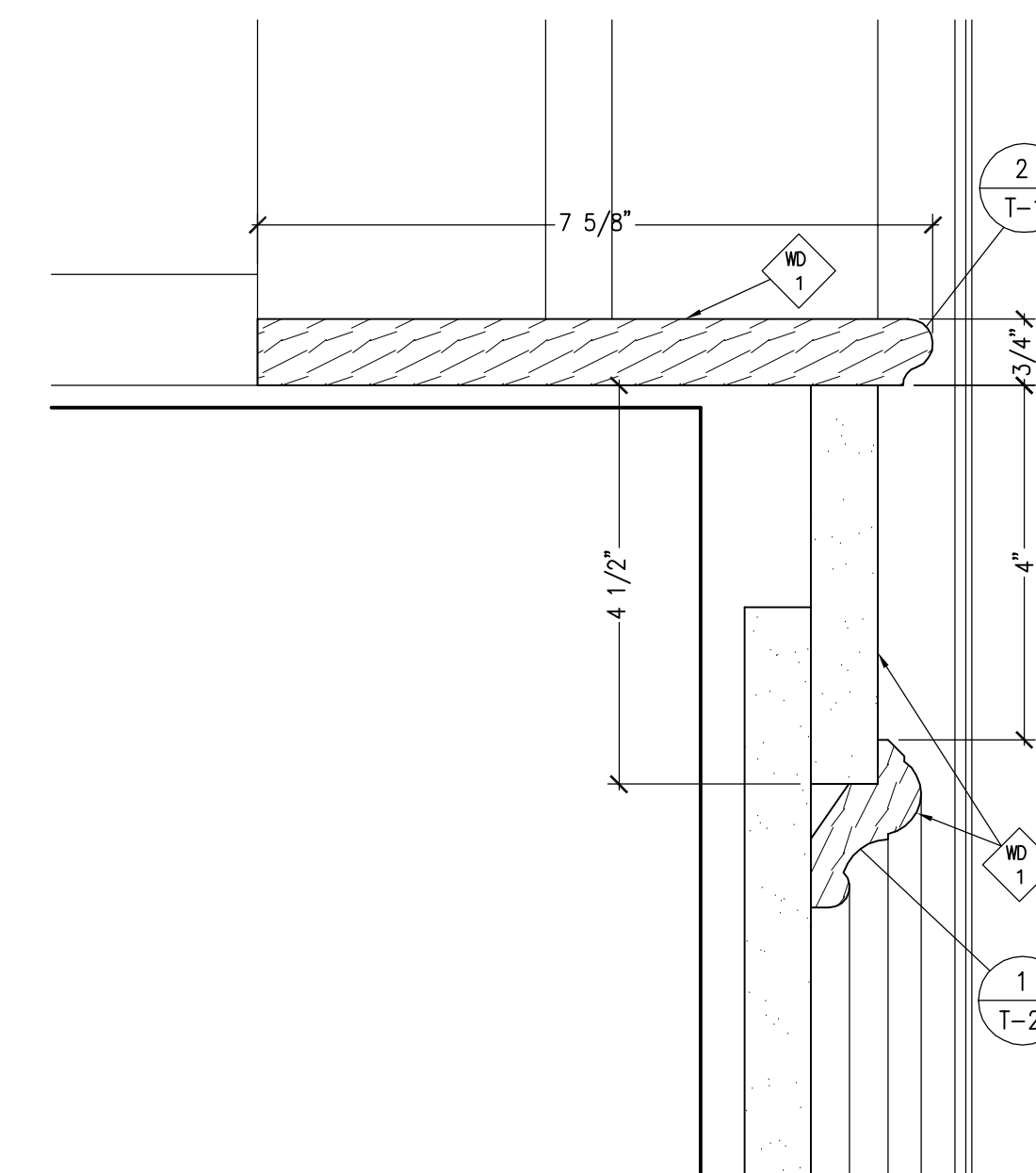
1 VERTICAL SECTION  
13-2 SCALE: 1-1/2"=12" REF: A17/A503



2 CROWN/HEAD DETAIL  
13-2 SCALE: 6"=12" REF: E7/A602



4 MULLION DETAIL  
13-2 SCALE: 6"=12" REF: D1/A602



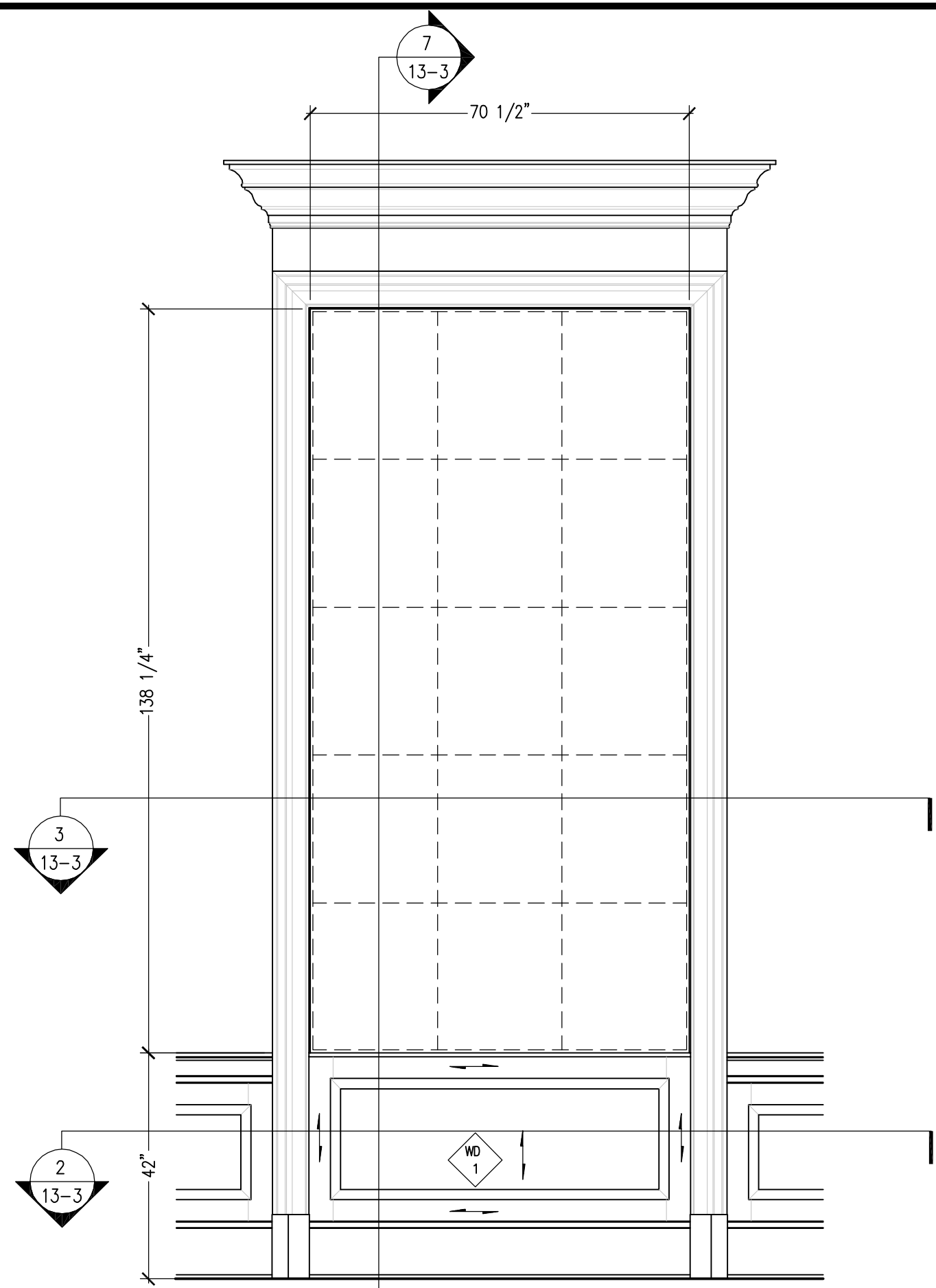
3 SILL DETAIL  
13-2 SCALE: 6"=12" REF: A1/A602

NOTE TO ARCH:  
THE ARCHITECTURAL ELEVATION OF TYPE "A" WINDOWS, A1/A603, DOES NOT REFLECT THE MOLDING PROFILES AS INDICATED BLOW THE SILL LINE IN ARCHITECTURAL DETAIL A1/A602. PLEASE REVIEW.

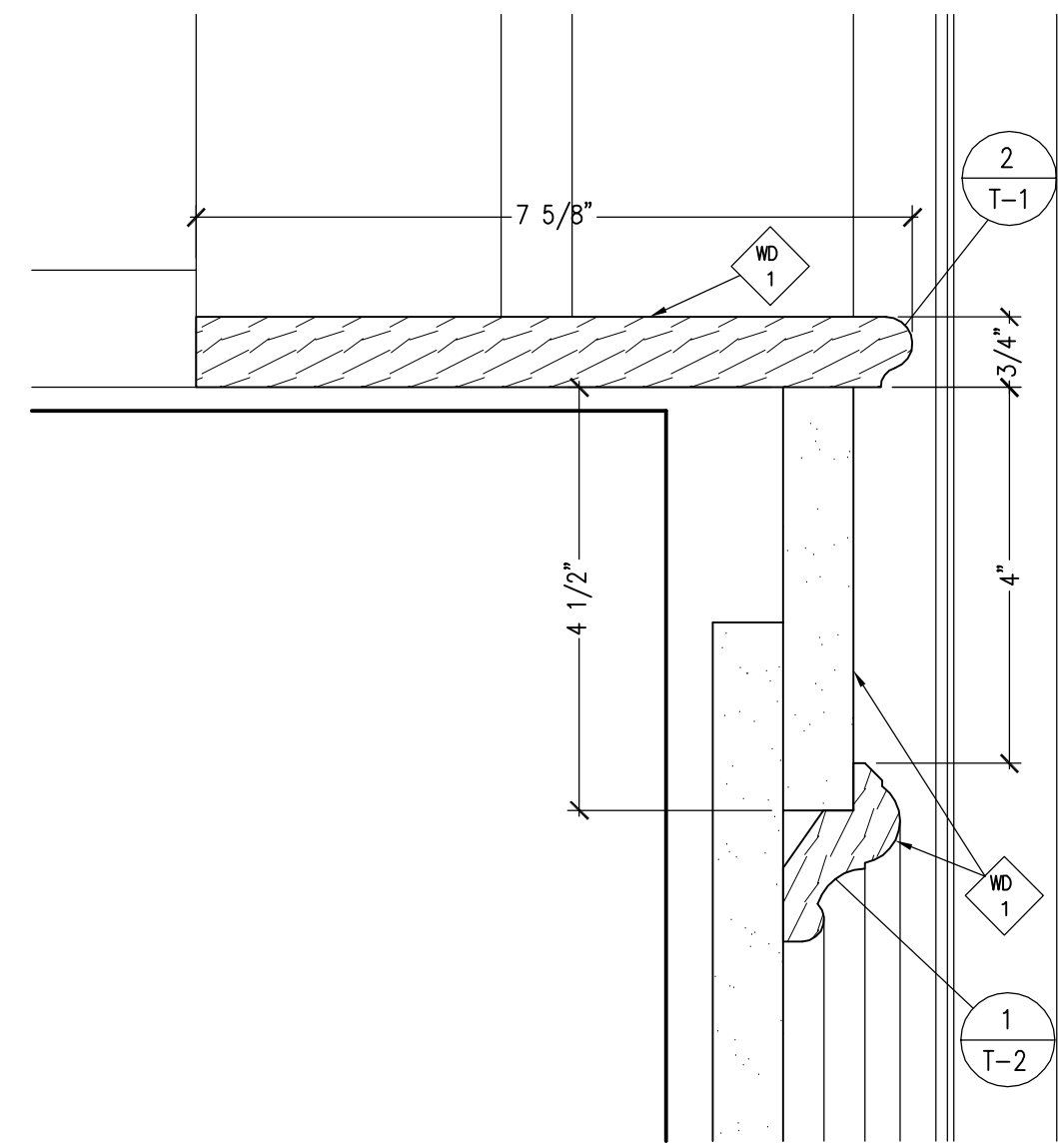
TYPE "A" WINDOW TRIM

PROJECT NO. 05-0212  
CUTBILL NO.  
PSI WORK ORDER NO.  
SCALE AS NOTED  
DRAWN BY TM DATE 10/28/05  
DELIVERY DATE

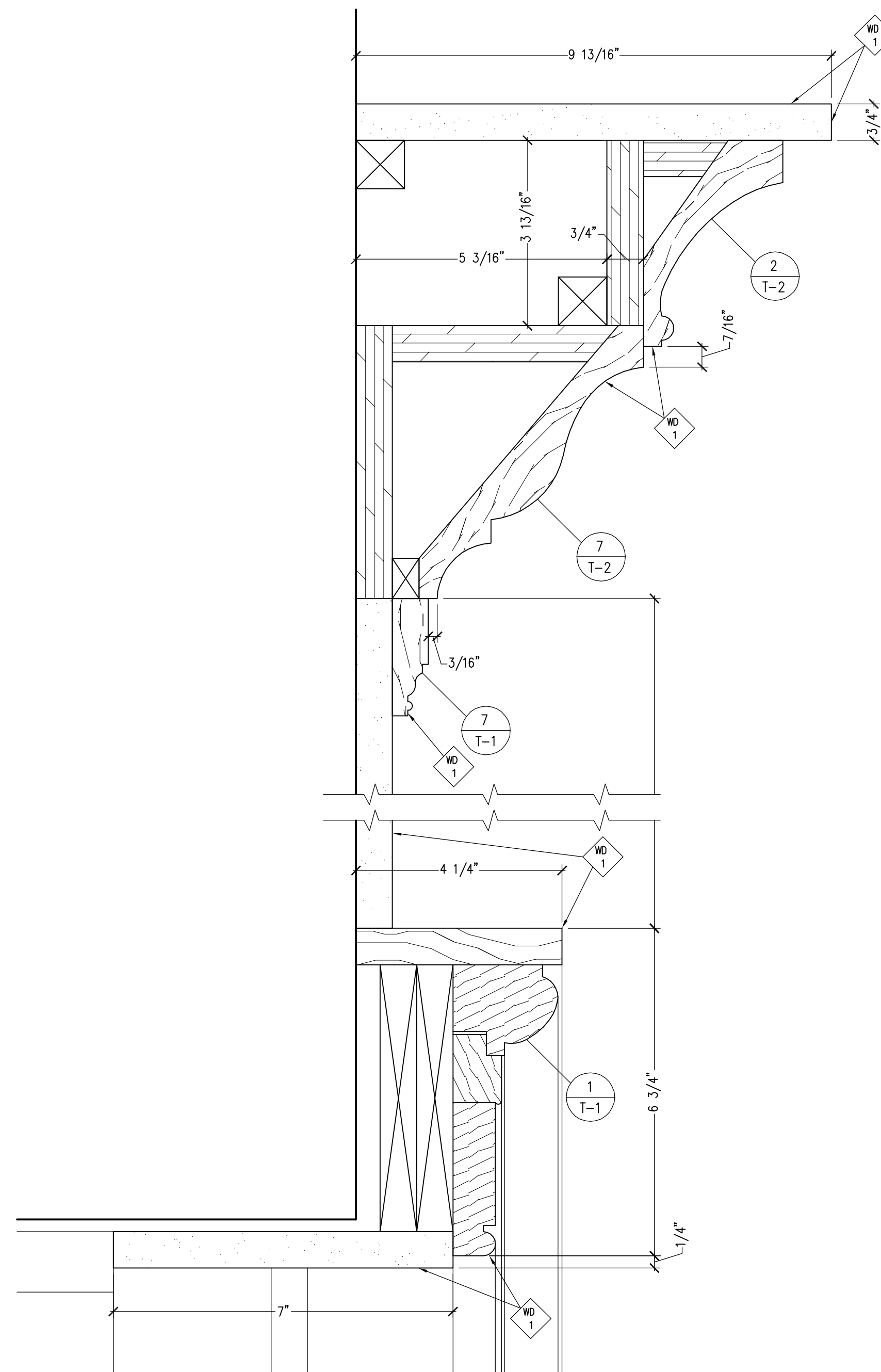
REVISIONS		
NO.	DATE	DESCRIPTION
1		
2		
3		
4		
5		
6		
7		
8		
9		
10		
11		
12		



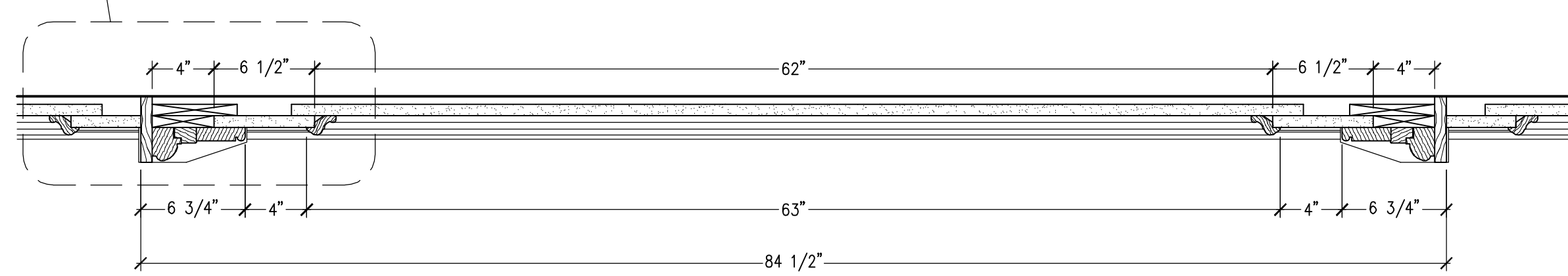
1 ELEVATION  
13-3 SCALE: 1/2"=12" REF: A1/A603  
SIX (6) UNITS REQUIRED AS SHOWN



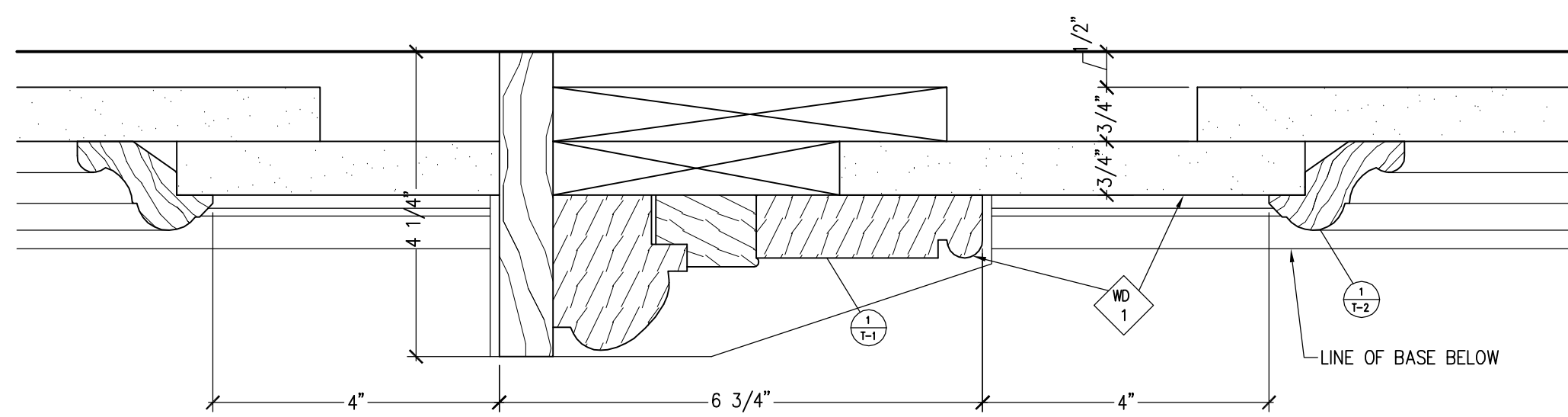
9 SILL DETAIL  
13-3 SCALE: 6"=1'-0" REF: A1/A602



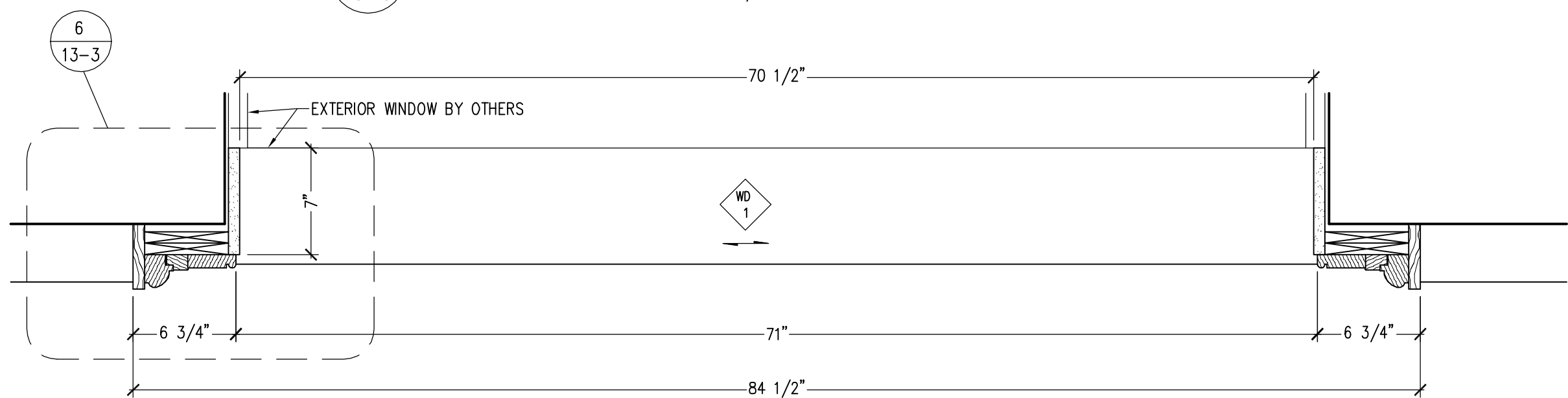
8 CROWN/HEAD DETAIL  
13-3 SCALE: 6"=1'-0" REF: A17/A502



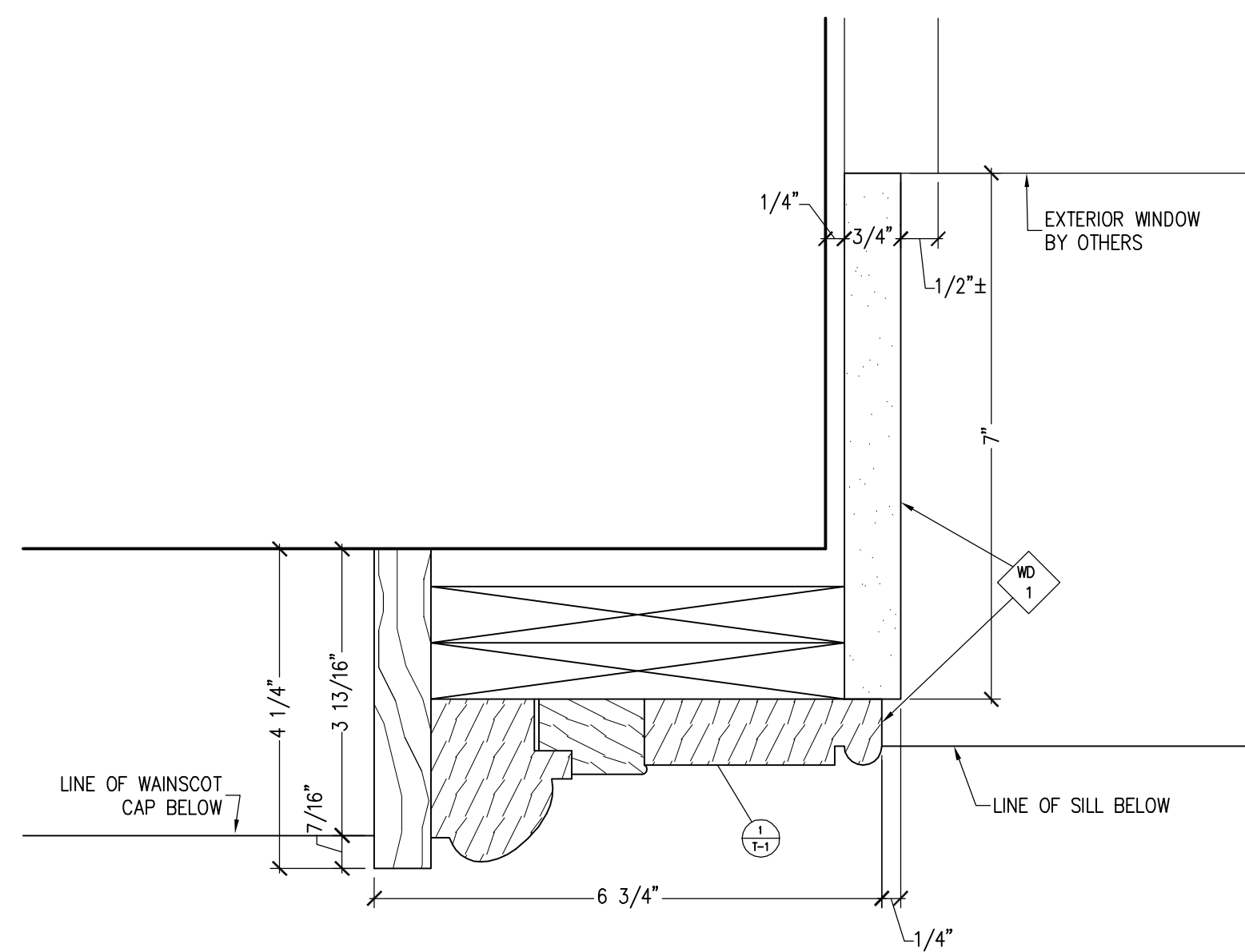
2 HORIZONTAL SECTION  
13-3 SCALE: 1-1/2"=1'-0" REF: NONE



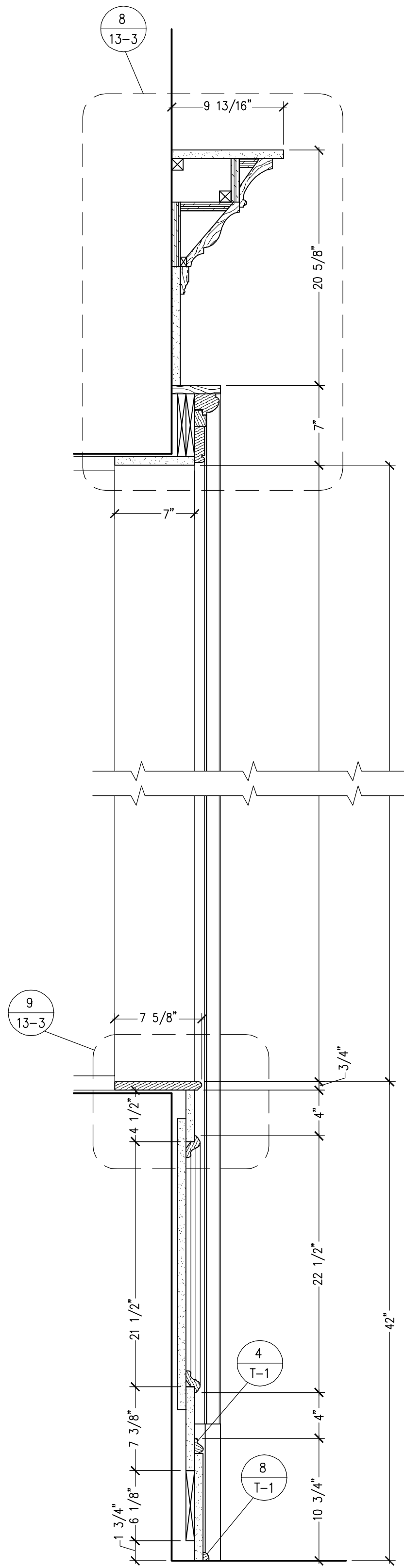
4 CASING DETAIL  
13-3 SCALE: 6"=1'-0" REF: C7/A602



3 HORIZONTAL SECTION  
13-3 SCALE: 1-1/2"=1'-0" REF: NONE



6 CASING DETAIL  
13-3 SCALE: 6"=1'-0" REF: J4/A602



7 VERTICAL SECTION  
13-3 SCALE: 1-1/2"=1'-0" REF: A17/A502

MATERIAL SPECIFICATIONS			
TYPE	DESCRIPTION	M.R.	
CORE	MDF		
VENEER	WD-1 Plain Sliced Cherry		
SOLID	WD-1 Plain Sawn Cherry		
FINISH	WD-1, MATCH SAMPLE		
HARDWARE LIST			
QTY:	DESCRIPTION	M.R.	
INFORMATION SYSTEMS			
ITEM #	DESCRIPTION	CUST.	PROD.

TYPE "C" WINDOW TRIM

PROJECT NO.  
05-0212

CUTBILL NO.

PSI WORK ORDER NO.

SCALE  
AS NOTED

DRAWN BY DATE  
TM 10/28/05

DELIVERY DATE

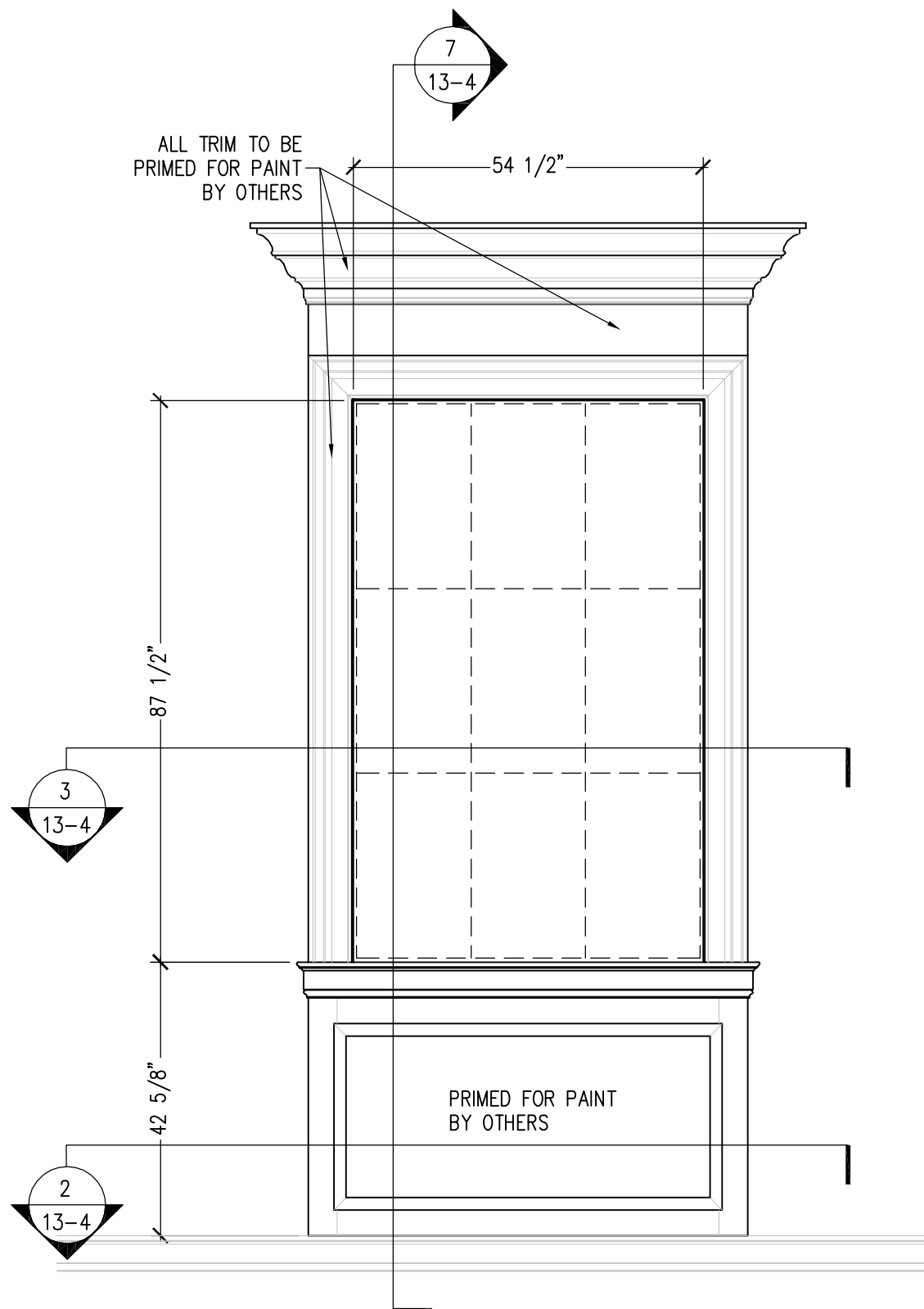
REVISIONS

NO.	DATE	DESCRIPTION
1		
2		
3		
4		
5		
6		
7		
8		
9		
10		
11		
12		

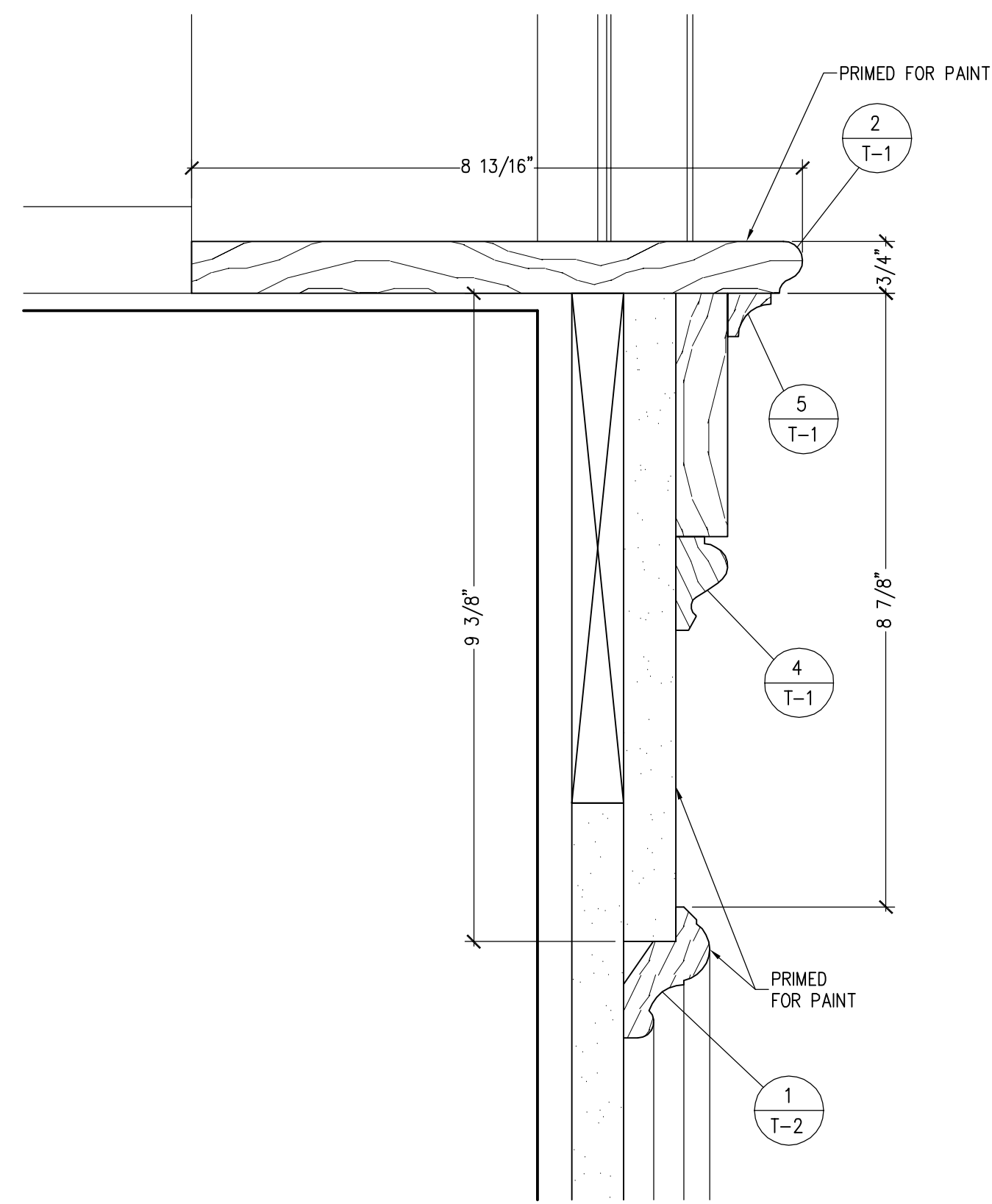
SHEET NO.

13-3

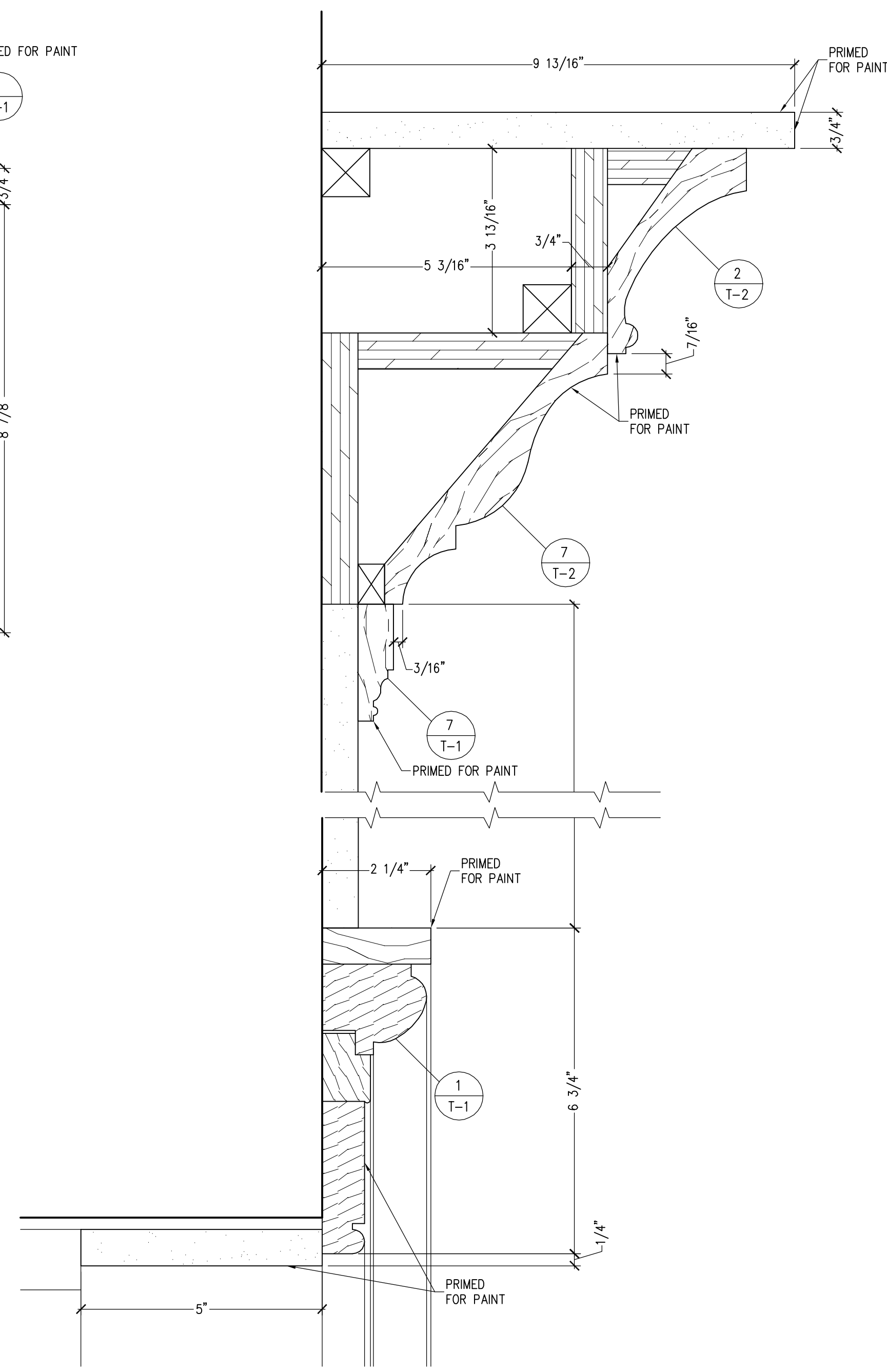
PRELIMINARY



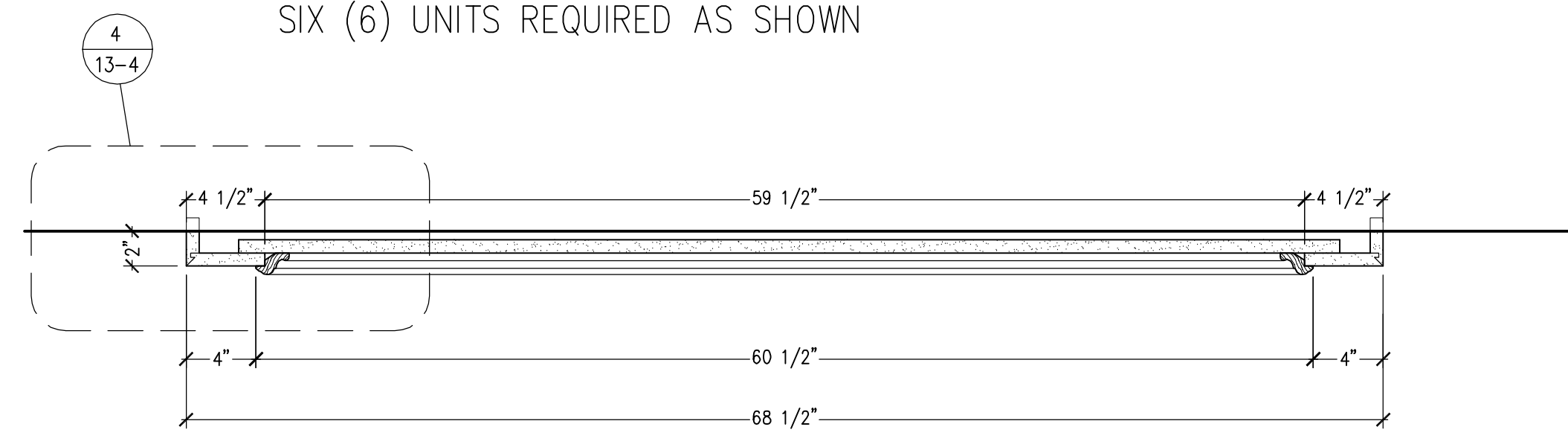
**1 ELEVATION**  
 13-4 SCALE: 1/2"=12"  
 TYPE "E" WINDOW  
 REF: A1/A603  
 SIX (6) UNITS REQUIRED AS SHOWN



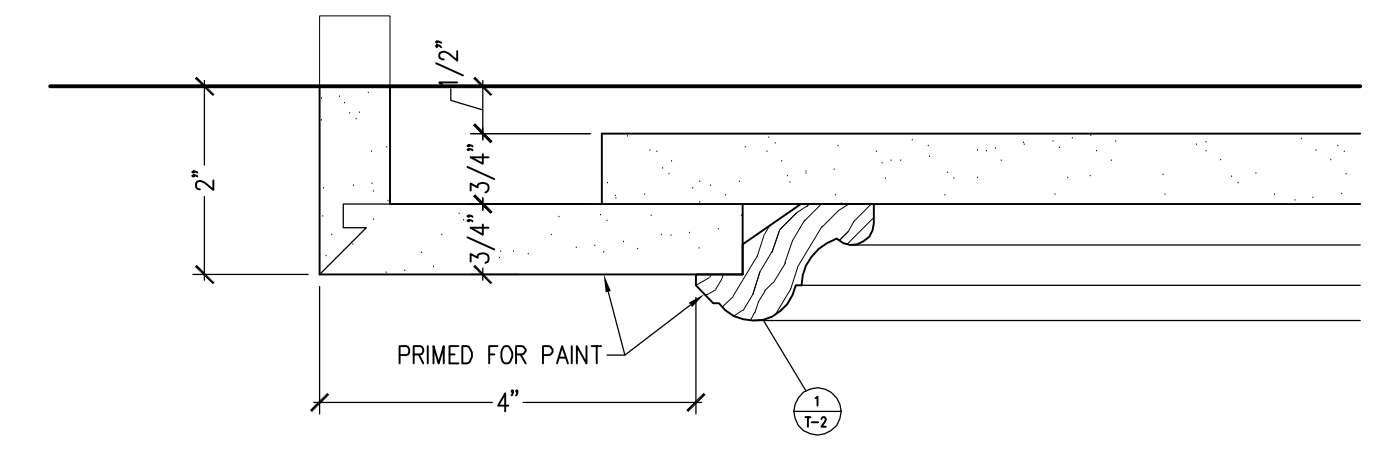
**9 SILL DETAIL**  
 13-4 SCALE: 6"=1'-0"  
 REF: A4/A602



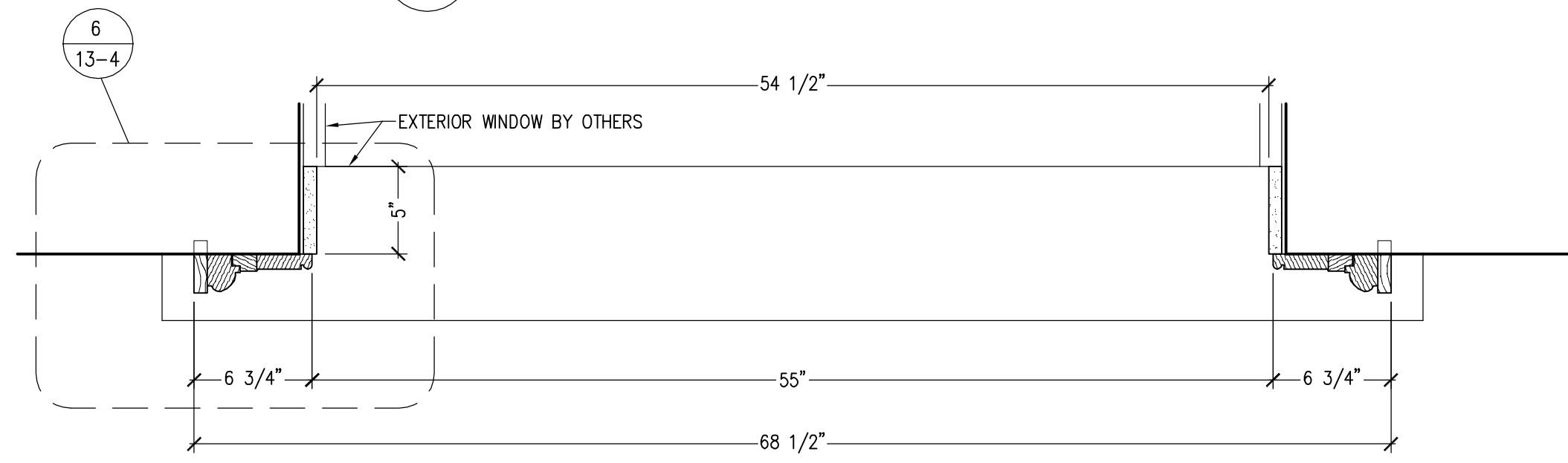
**8 CROWN/HEAD DETAIL**  
 13-4 SCALE: 6"=1'-0"  
 REF: E7/A602



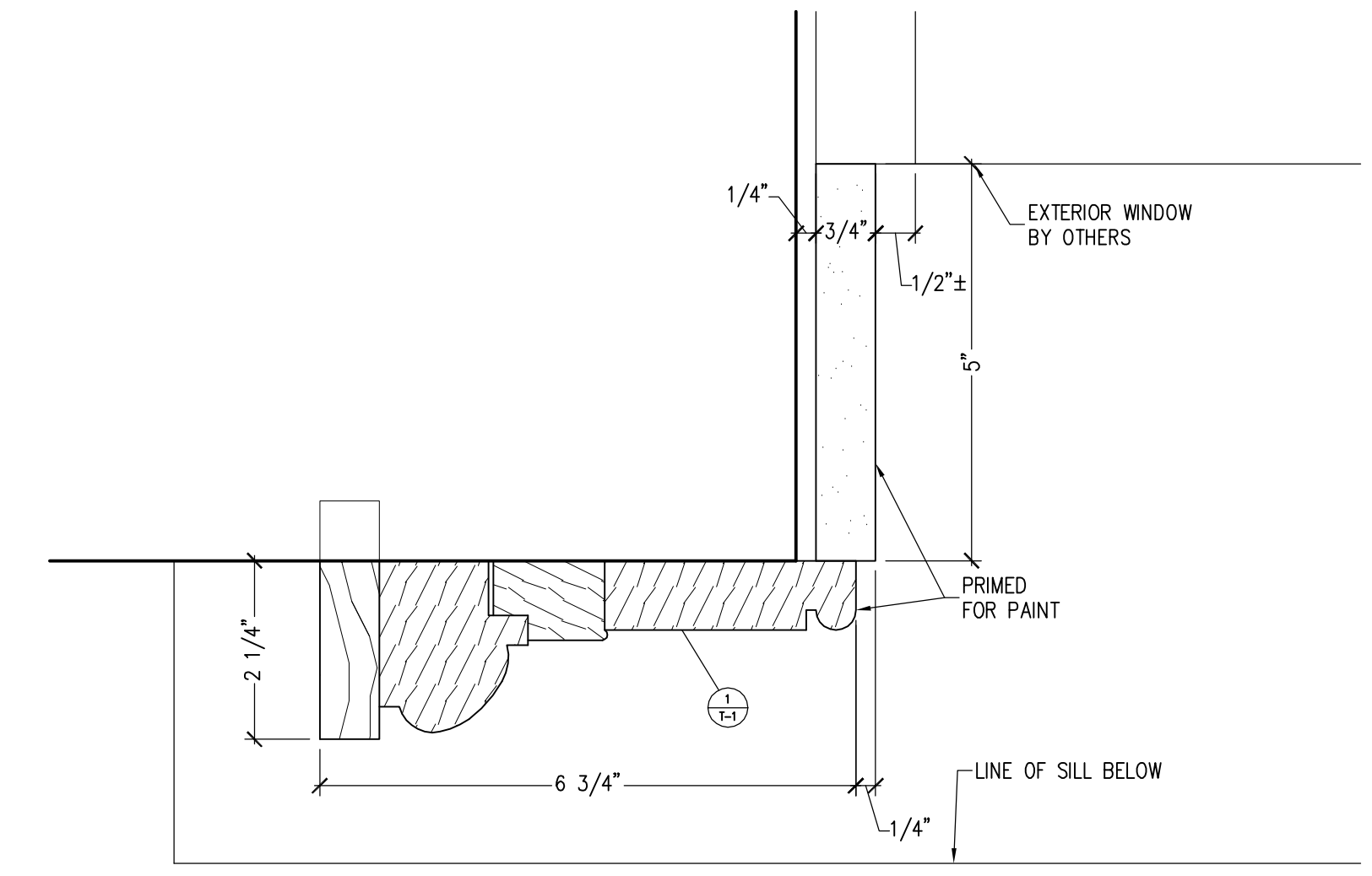
**2 HORIZONTAL SECTION**  
 13-4 SCALE: 1-1/2"=1'-0"  
 REF: NONE



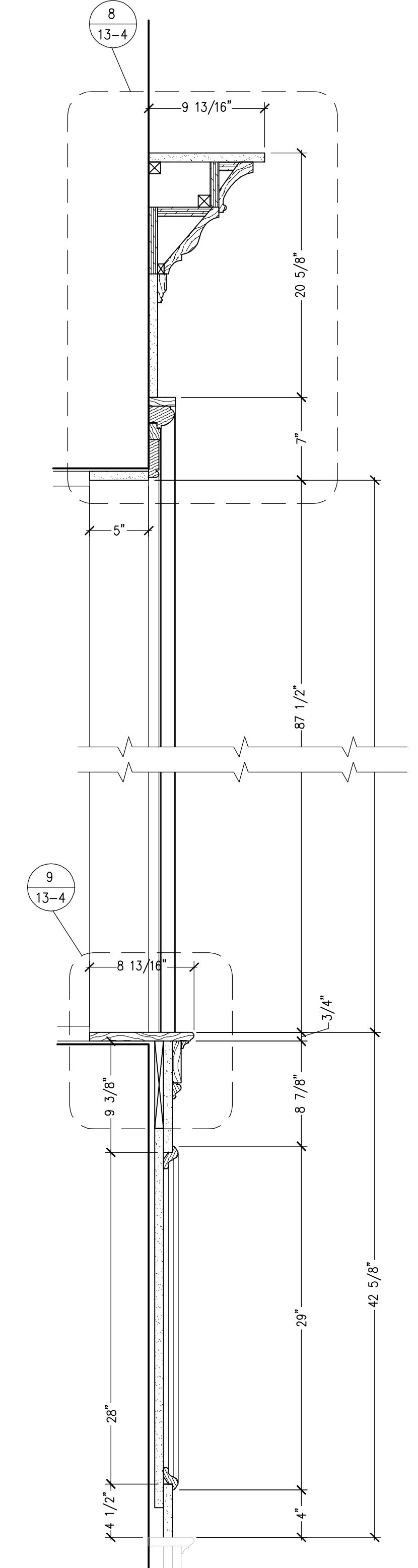
**4 CASING DETAIL**  
 13-4 SCALE: 6"=1'-0"  
 REF: C7/A602



**3 HORIZONTAL SECTION**  
 13-4 SCALE: 1-1/2"=1'-0"  
 REF: NONE



**6 CASING DETAIL**  
 13-4 SCALE: 6"=1'-0"  
 REF: J4/A602



**7 VERTICAL SECTION**  
 13-4 SCALE: 1-1/2"=1'-0"  
 REF: A17/A502

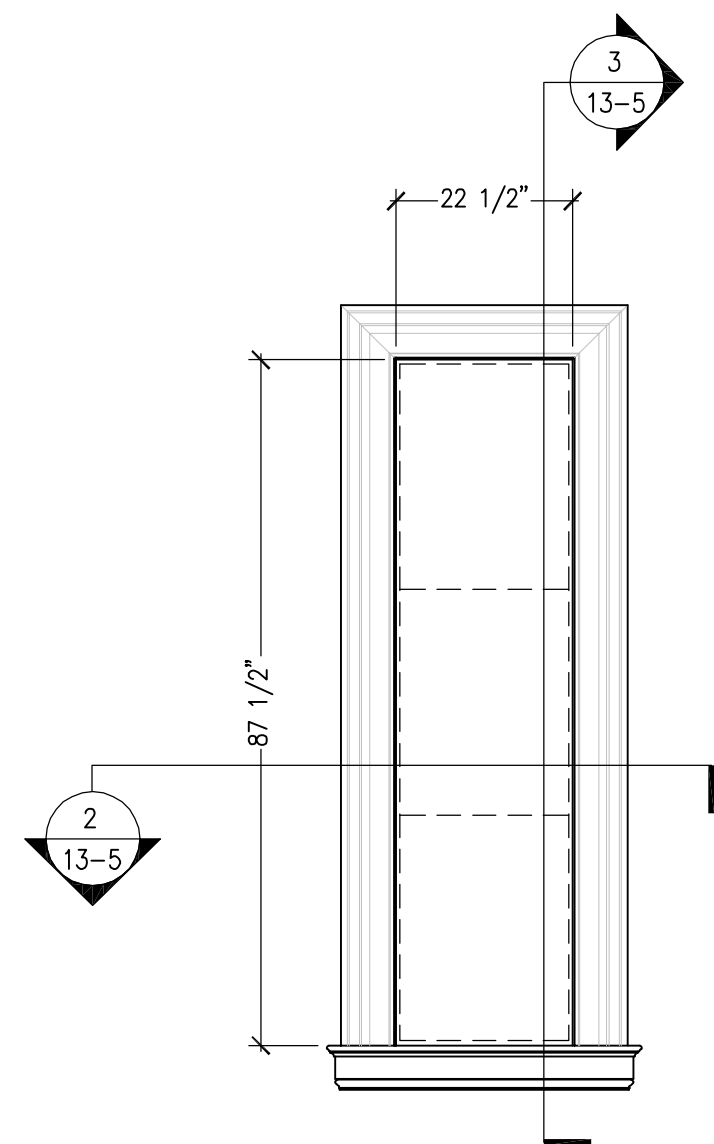
MATERIAL SPECIFICATIONS			
TYPE	DESCRIPTION	M.R.	
CORE	MDF		
VENEER			
SOLID	POPLAR		
FINISH	PRIMED FOR PAINT		
HARDWARE LIST			
QTY:	DESCRIPTION	M.R.	
INFORMATION SYSTEMS			
ITEM #	DESCRIPTION	CUST.	PROD.

TYPE "E" WINDOW TRIM

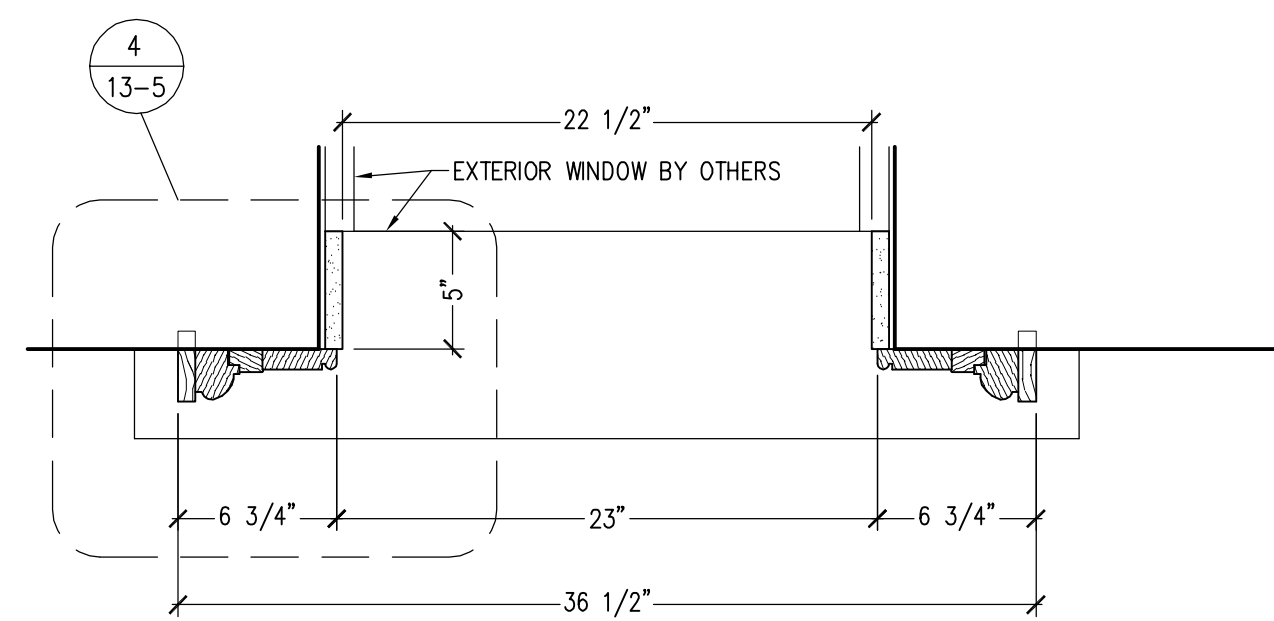
PROJECT NO.  
05-0212  
 CUTBILL NO.  
 PSI WORK ORDER NO.  
 SCALE  
AS NOTED  
 DRAWN BY  
TM  
 DATE  
10/28/05  
 DELIVERY DATE

REVISIONS		
NO.	DATE	DESCRIPTION
1		
2		
3		
4		
5		
6		
7		
8		
9		
10		
11		
12		

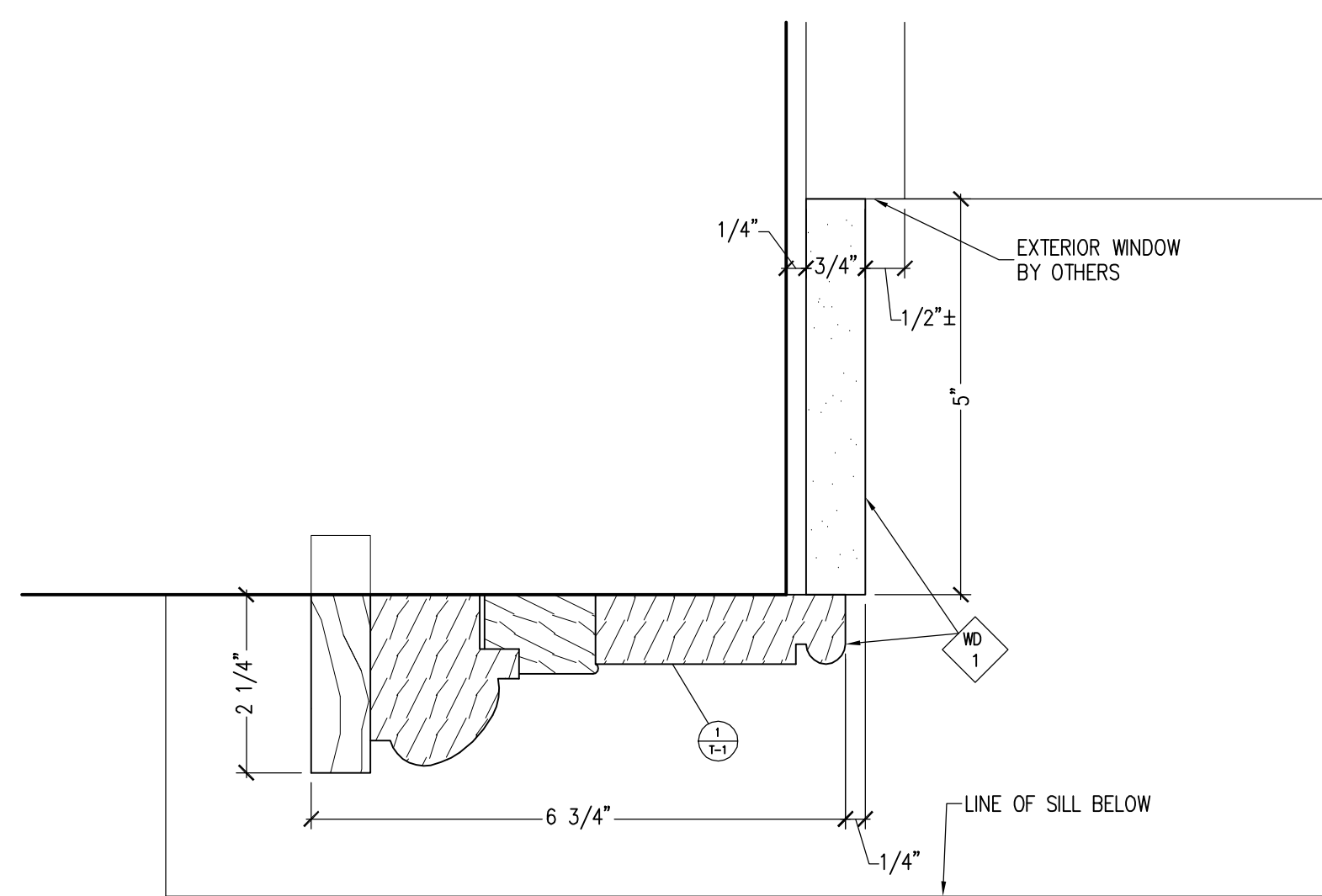
SHEET NO.  
 13-4  
 PRELIMINARY



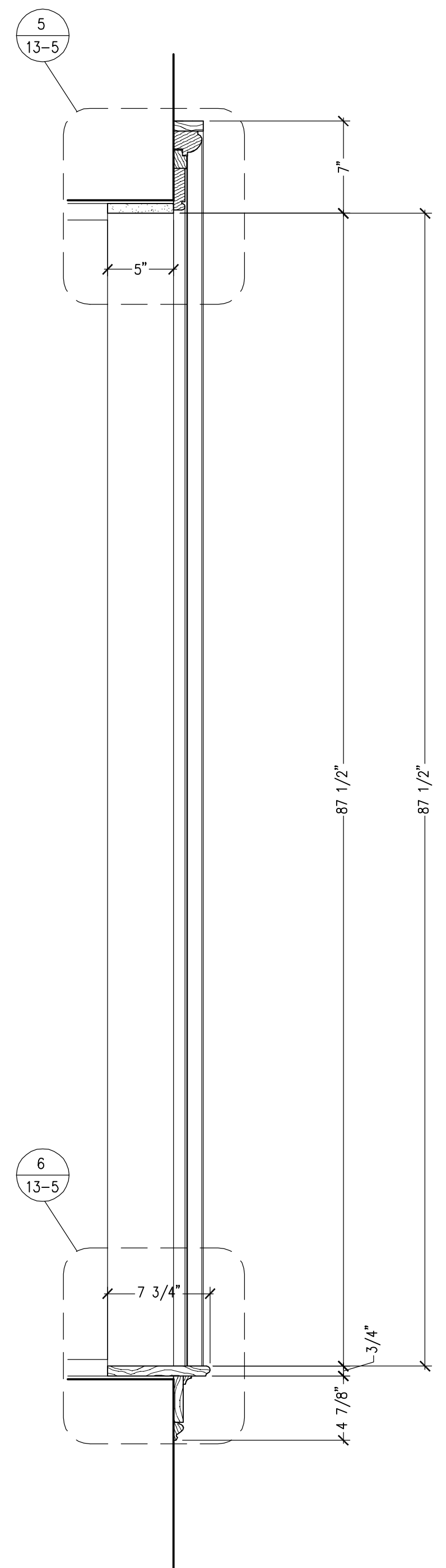
**1 ELEVATION**  
 13-5 / SCALE: 1/2" = 12" REF: A1/A201  
 TYPE "G" WINDOW  
 FOUR (4) UNITS REQUIRED AS SHOWN



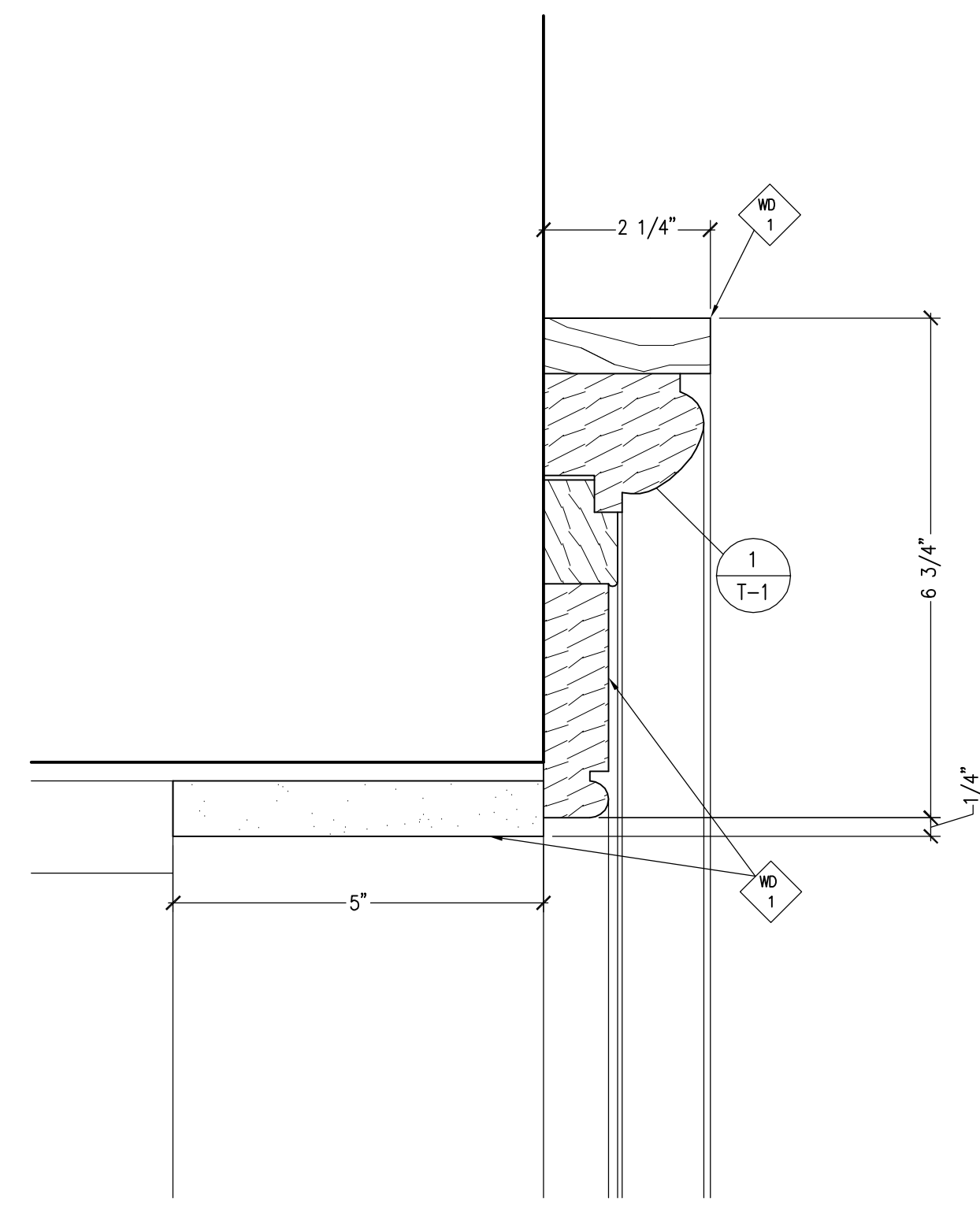
**2 HORIZONTAL SECTION**  
 13-5 / SCALE: 1-1/2" = 1'-0" REF: NONE



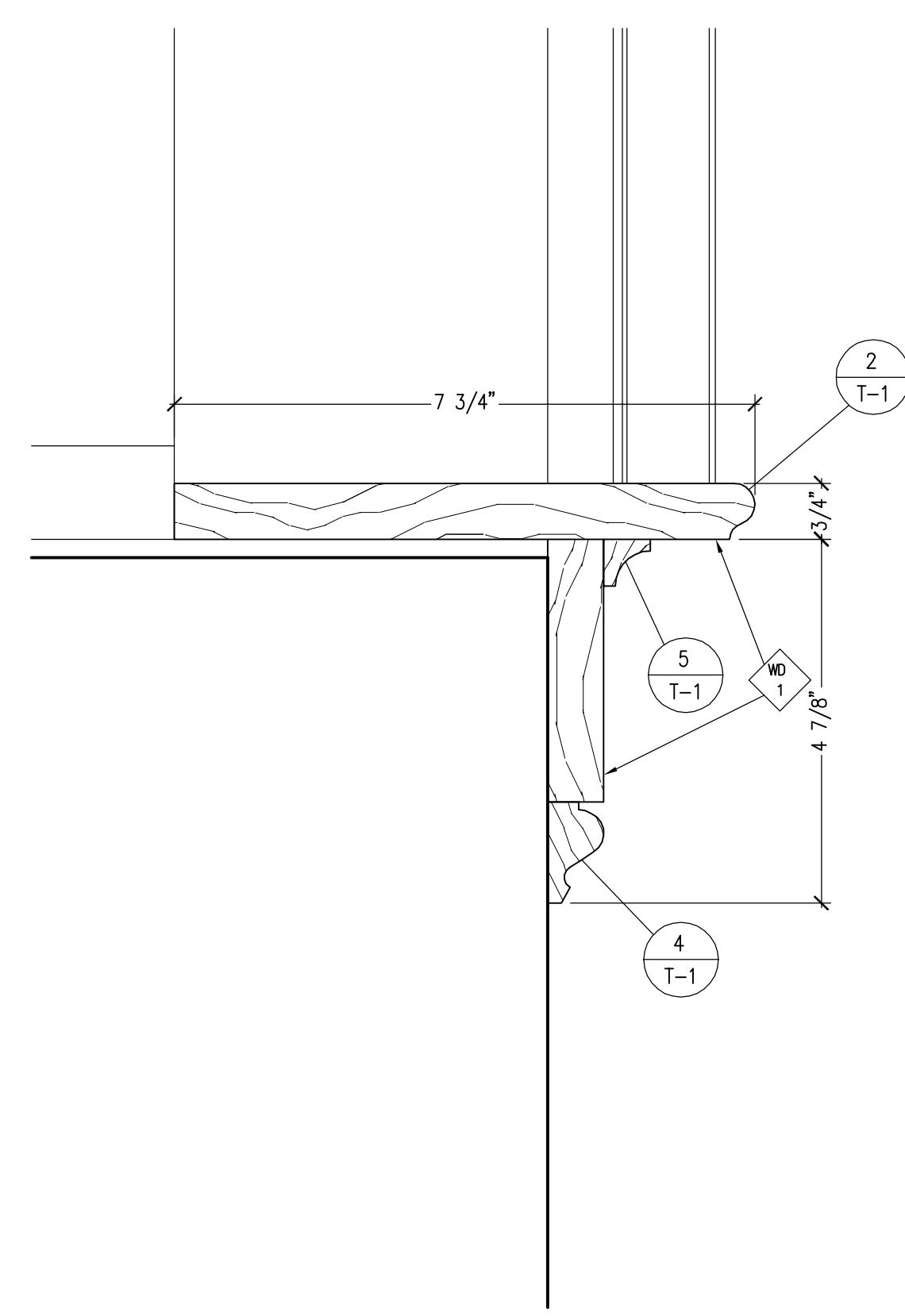
**4 CASING DETAIL**  
 13-5 / SCALE: 6" = 1'-0" REF: J4/A602



**3 VERTICAL SECTION**  
 13-5 / SCALE: 1-1/2" = 1'-0" REF: A17/A502



**5 HEAD DETAIL**  
 13-5 / SCALE: 6" = 1'-0" REF: E7/A602



**6 SILL DETAIL**  
 13-5 / SCALE: 6" = 1'-0" REF: A4/A602

MATERIAL SPECIFICATIONS			
TYPE	DESCRIPTION	M.R.	
CORE	MDF		
VENEER	WD-1 Plain Sliced Cherry		
SOLID	WD-1 Plain Sawn Cherry		
FINISH	WD-1, MATCH SAMPLE		
HARDWARE LIST			
QTY:	DESCRIPTION	M.R.	
INFORMATION SYSTEMS			
ITEM #	DESCRIPTION	CUST.	PROD.

TYPE "G" WINDOW TRIM

PROJECT NO.  
05-0212

CUTBILL NO.

PSI WORK ORDER NO.

SCALE  
AS NOTED

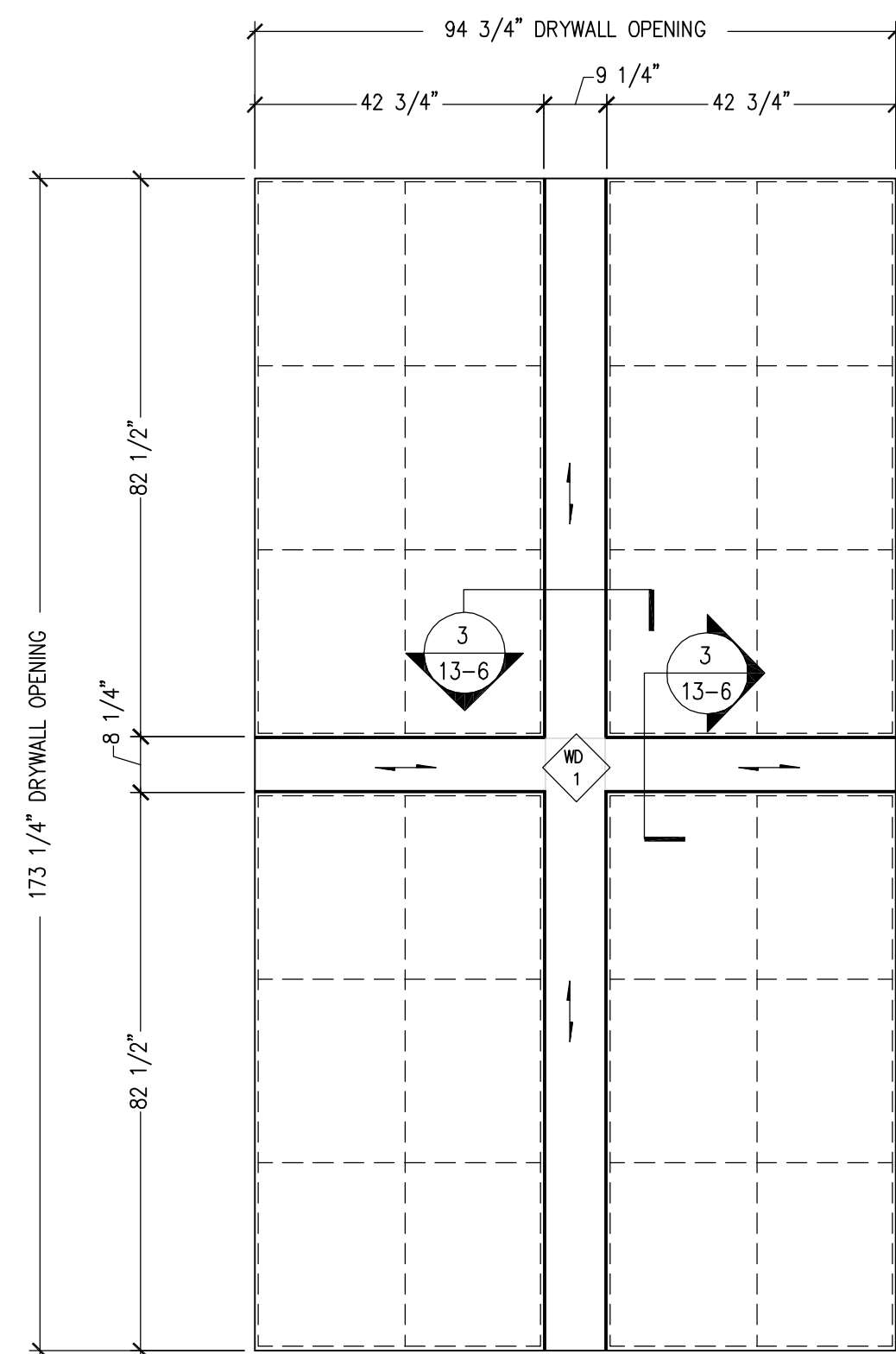
DRAWN BY  
TM

DATE  
11/01/05

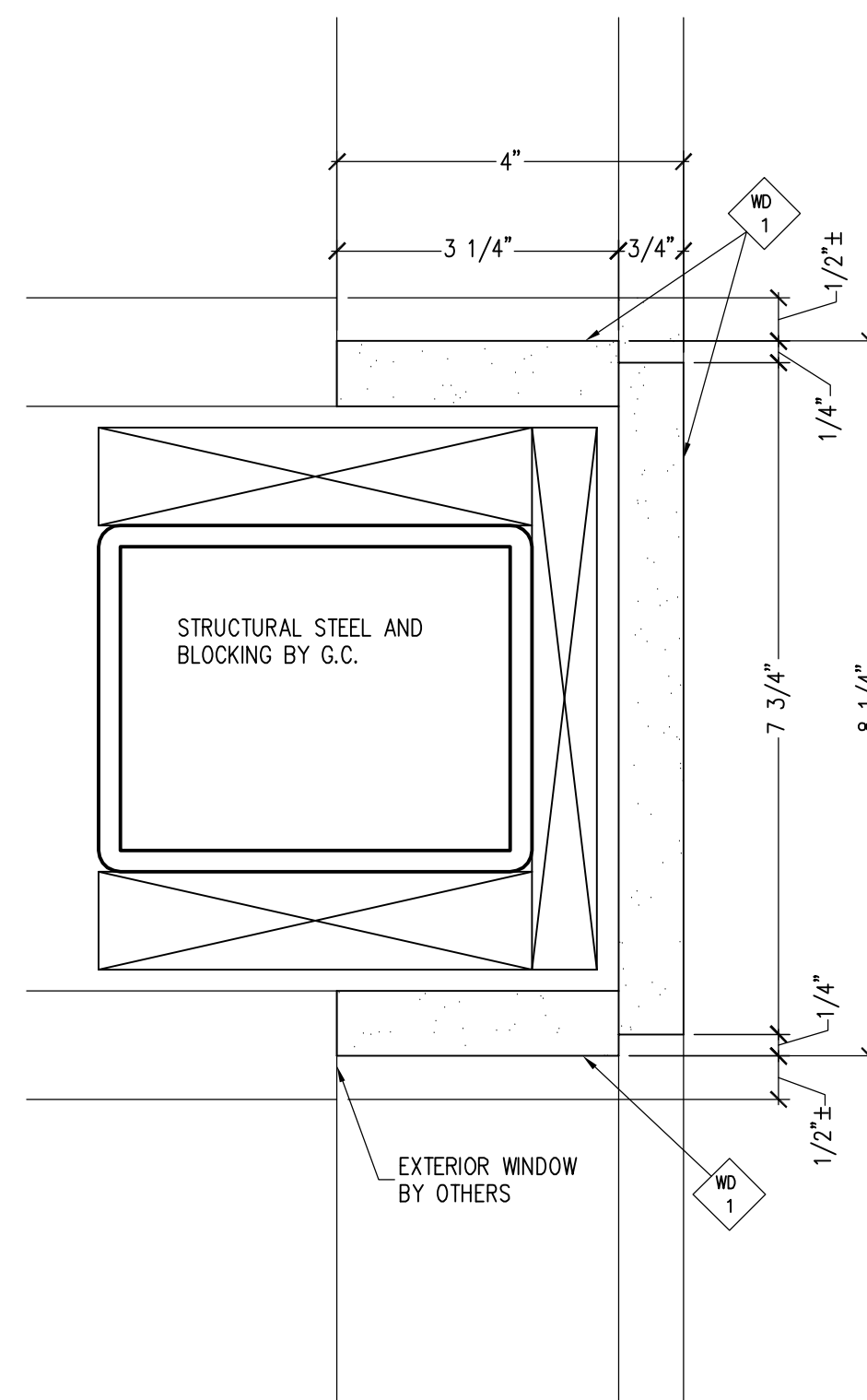
DELIVERY DATE

REVISIONS		
NO.	DATE	DESCRIPTION
1		
2		
3		
4		
5		
6		
7		
8		
9		
10		
11		
12		

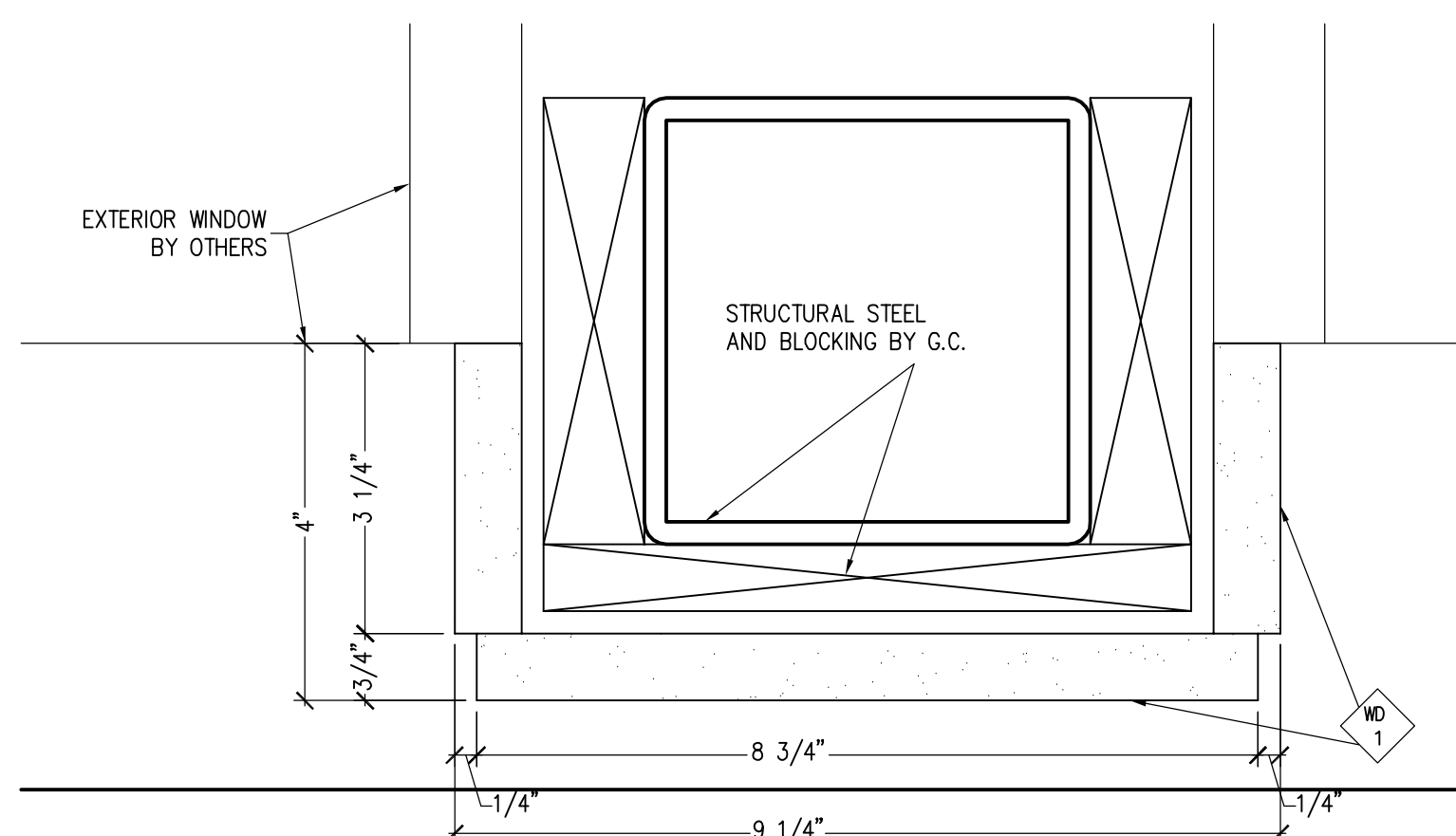
SHEET NO.  
13-5  
PRELIMINARY



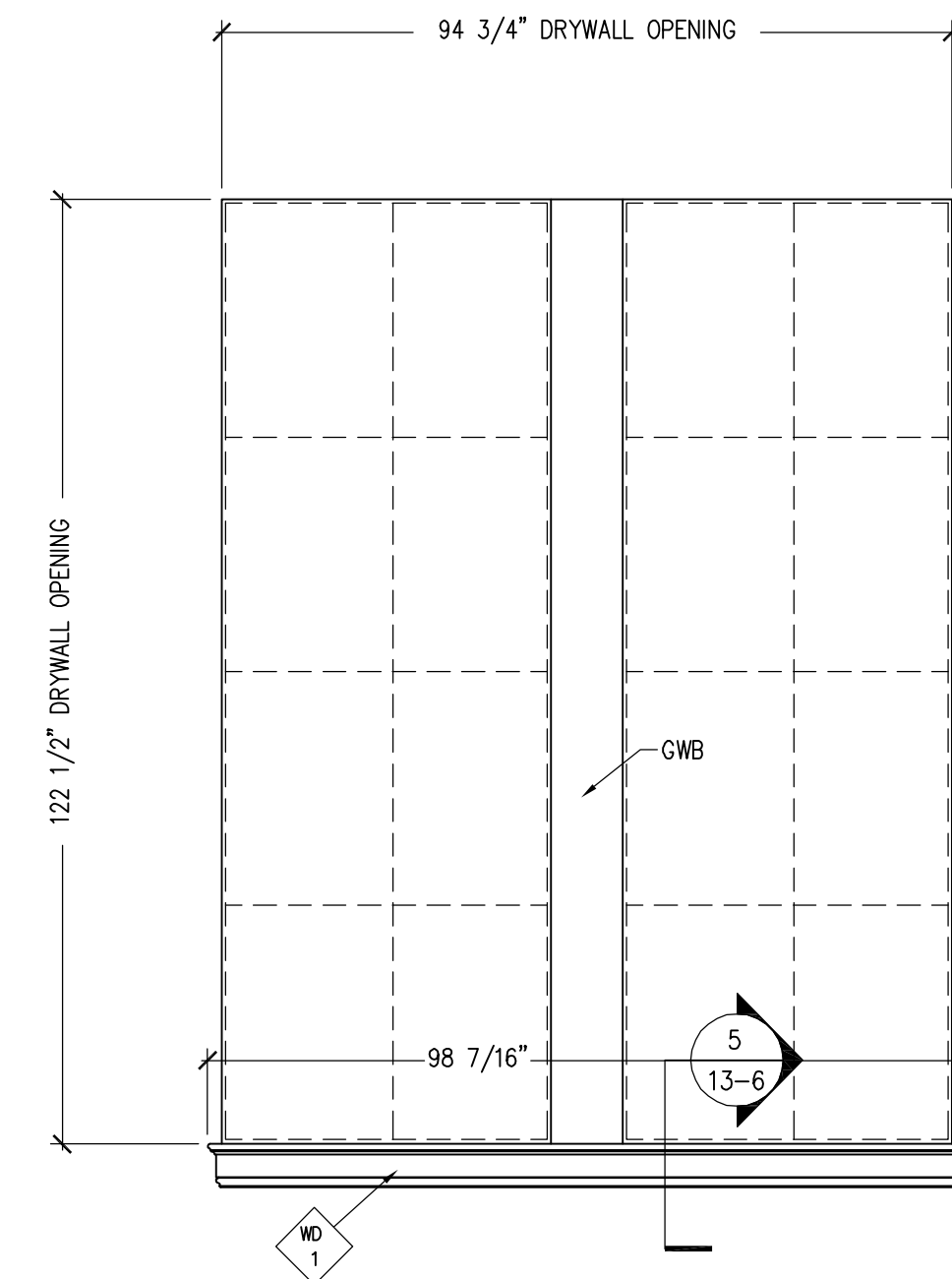
1 ELEVATION TYPE "B" WINDOW  
 13-6 SCALE: 1/2"=12" REF: A1/A201  
 THREE (3) UNITS REQUIRED AS SHOWN



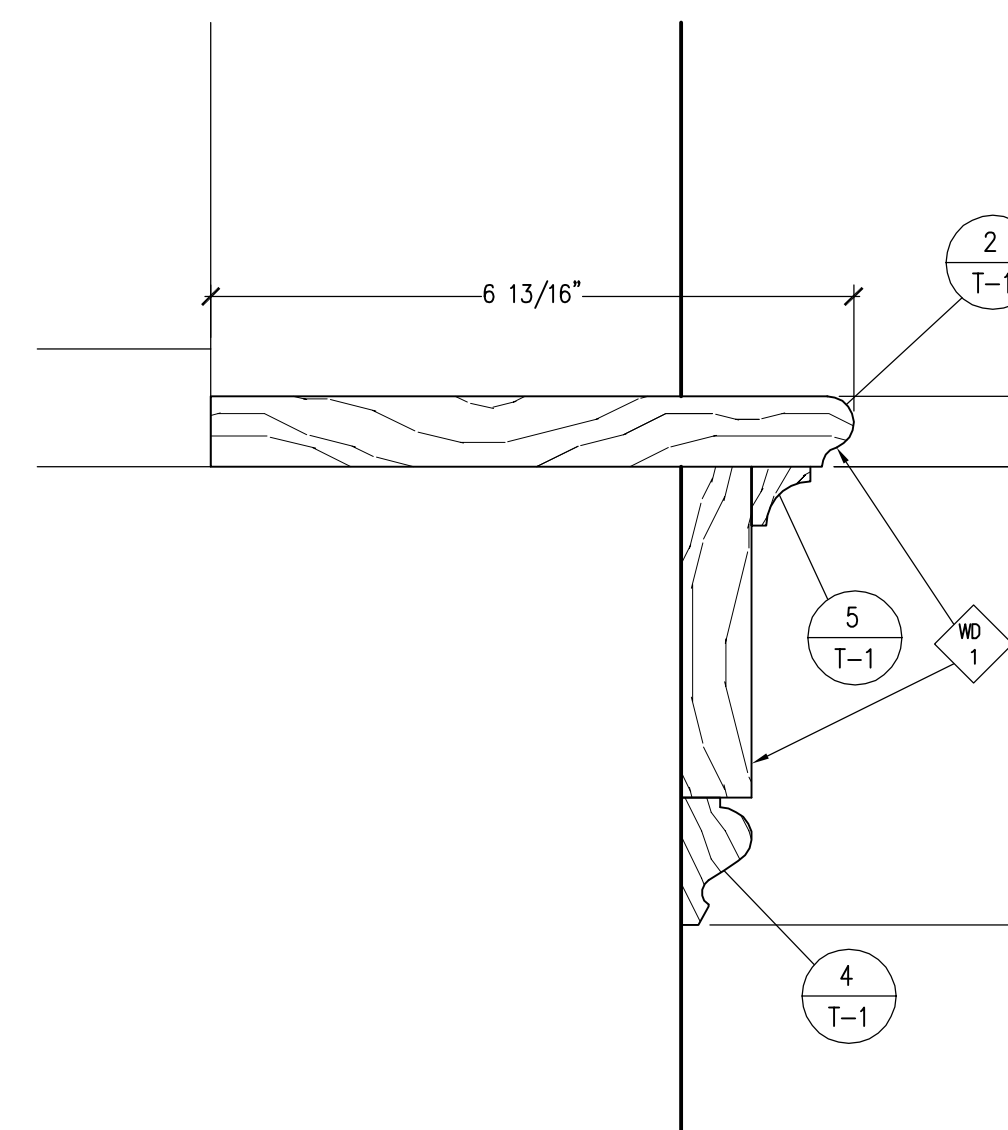
2 MULLION DETAIL  
 13-6 SCALE: 6" = 1'-0" REF: A8/A031



3 MULLION DETAIL  
 13-6 SCALE: 6" = 1'-0" REF: A8/A031



4 ELEVATION TYPE "D" WINDOW  
 13-6 SCALE: 1/2"=12" REF: A1/A201  
 SIX (6) UNITS REQUIRED AS SHOWN



5 SILL DETAIL  
 13-6 SCALE: 6" = 1'-0" REF: E10/A302

MATERIAL SPECIFICATIONS			
TYPE	DESCRIPTION	M.R.	
CORE	MDF		
VENEER	WD-1 Plain Sliced Cherry		
SOLID	WD-1 Plain Sawn Cherry		
FINISH	WD-1, MATCH SAMPLE		
HARDWARE LIST			
QTY:	DESCRIPTION	M.R.	
INFORMATION SYSTEMS			
ITEM #	DESCRIPTION	CUST.	PROD.

TYPE "B" & "D" WINDOW TRIM

PROJECT NO.	05-0212	
CUTBILL NO.		
PSI WORK ORDER NO.		
SCALE	AS NOTED	
DRAWN BY	DATE	
TM	11/01/05	
DELIVERY DATE		
REVISIONS		
NO.	DATE	DESCRIPTION
1		
2		
3		
4		
5		
6		
7		
8		
9		
10		
11		
12		
SHEET NO.		

13-6  
 PRELIMINARY