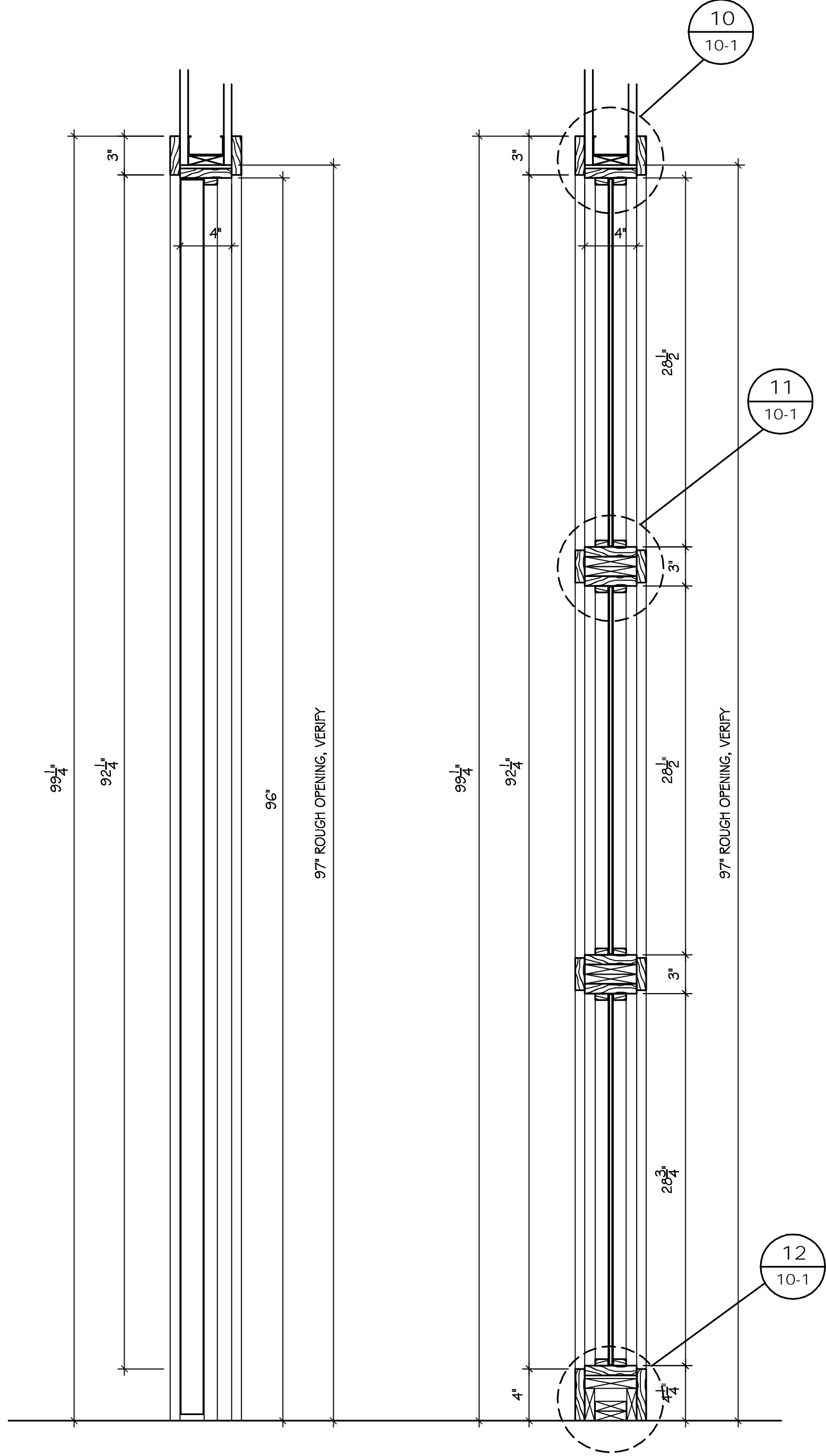
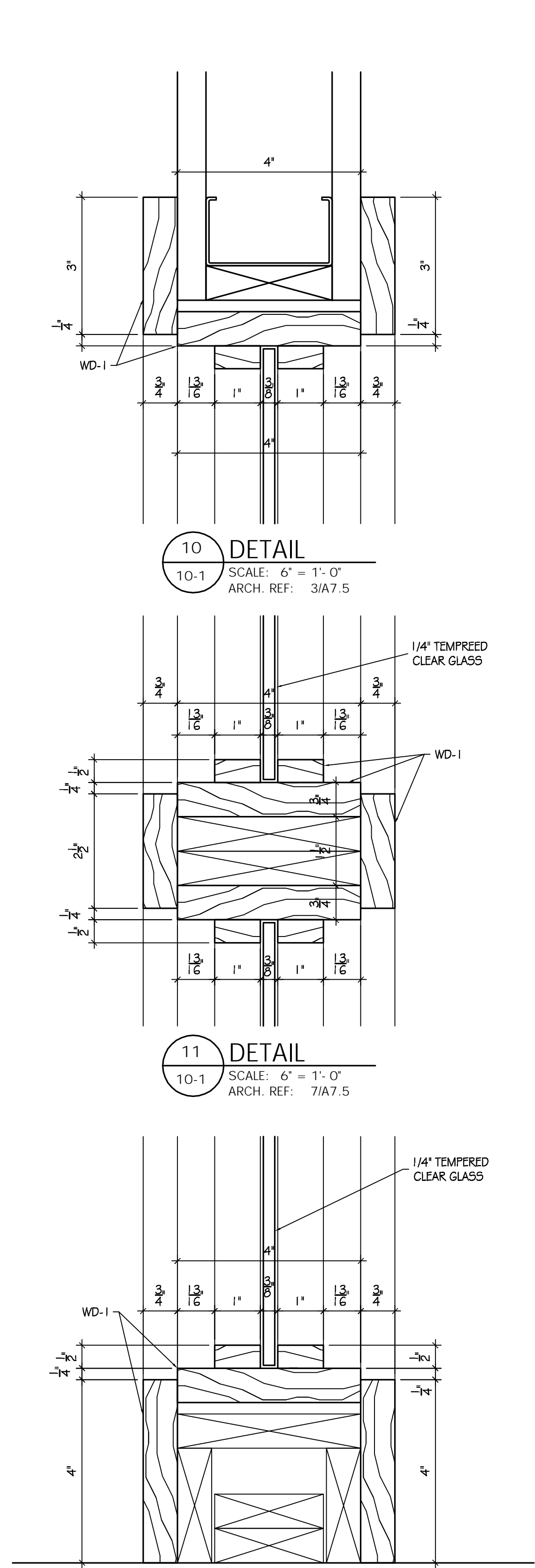


E ELEVATION @ DOOR 27
 SCALE: 3/4" = 1'-0"
 ARCH. REF: NONE



5 VERTICAL SECTION
 SCALE: 1-1/2" = 1'-0"
 ARCH. REF: NONE

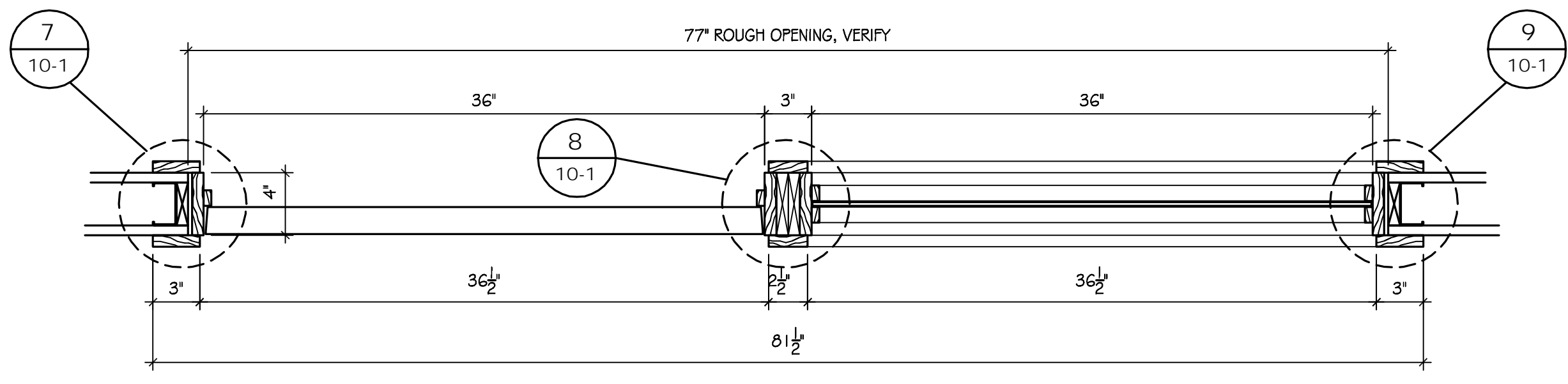
6 VERTICAL SECTION
 SCALE: 1-1/2" = 1'-0"
 ARCH. REF: NONE



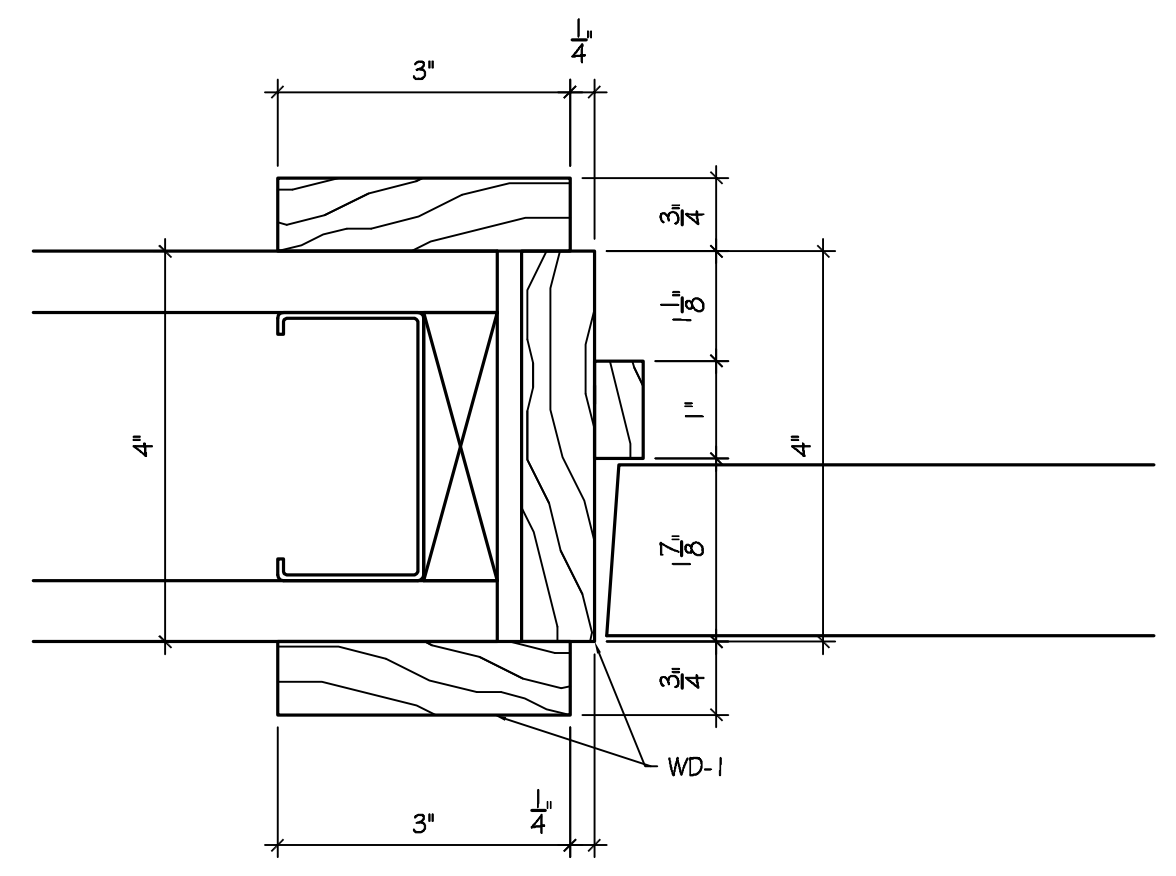
10 DETAIL
 SCALE: 6" = 1'-0"
 ARCH. REF: 3/A7.5

11 DETAIL
 SCALE: 6" = 1'-0"
 ARCH. REF: 7/A7.5

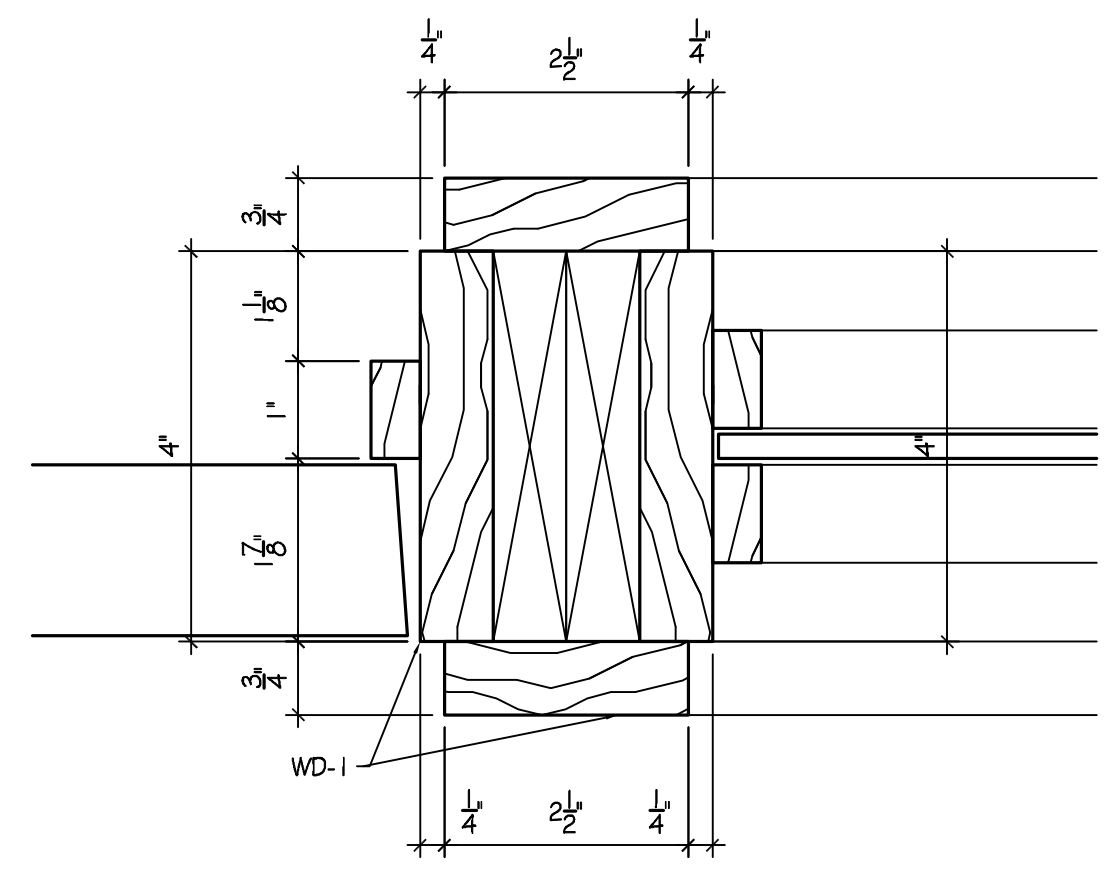
12 DETAIL
 SCALE: 6" = 1'-0"
 ARCH. REF: 8/A7.5



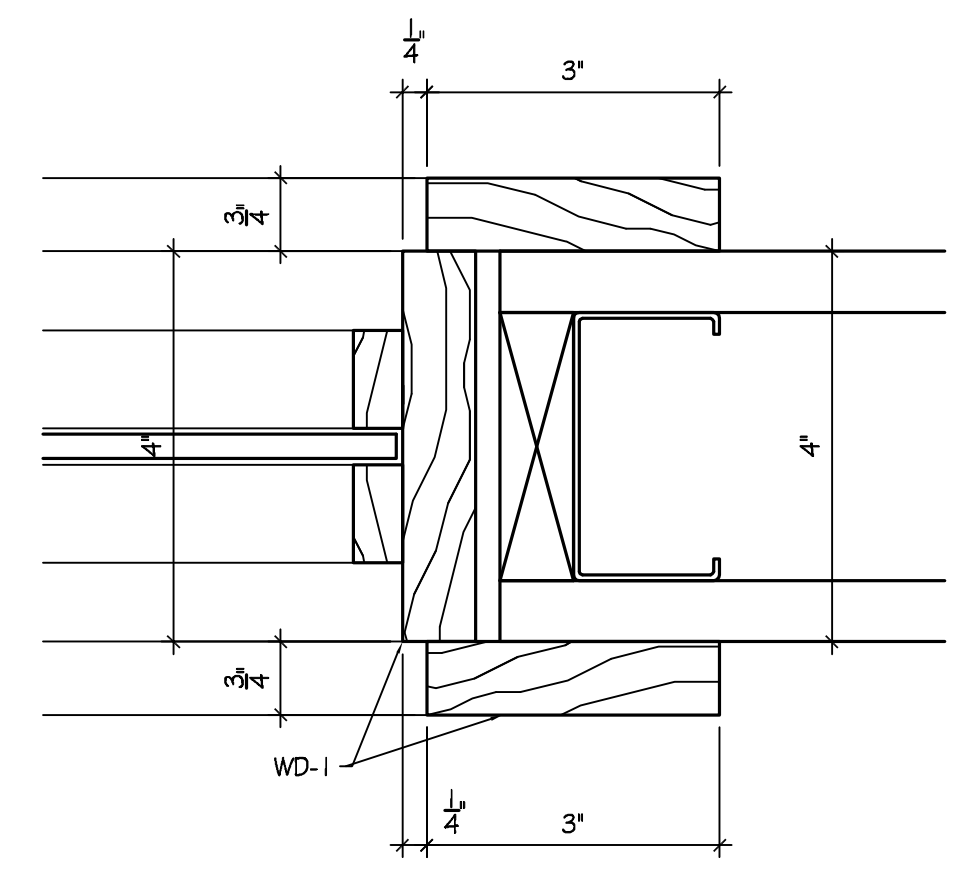
4 HORIZONTAL SECTION
 SCALE: 1-1/2" = 1'-0"
 ARCH. REF: NONE



7 DETAIL
 SCALE: 6" = 1'-0"
 ARCH. REF: 1, 2/A7.5



8 DETAIL
 SCALE: 6" = 1'-0"
 ARCH. REF: 4/A7.5



9 DETAIL
 SCALE: 6" = 1'-0"
 ARCH. REF: 3/A7.5

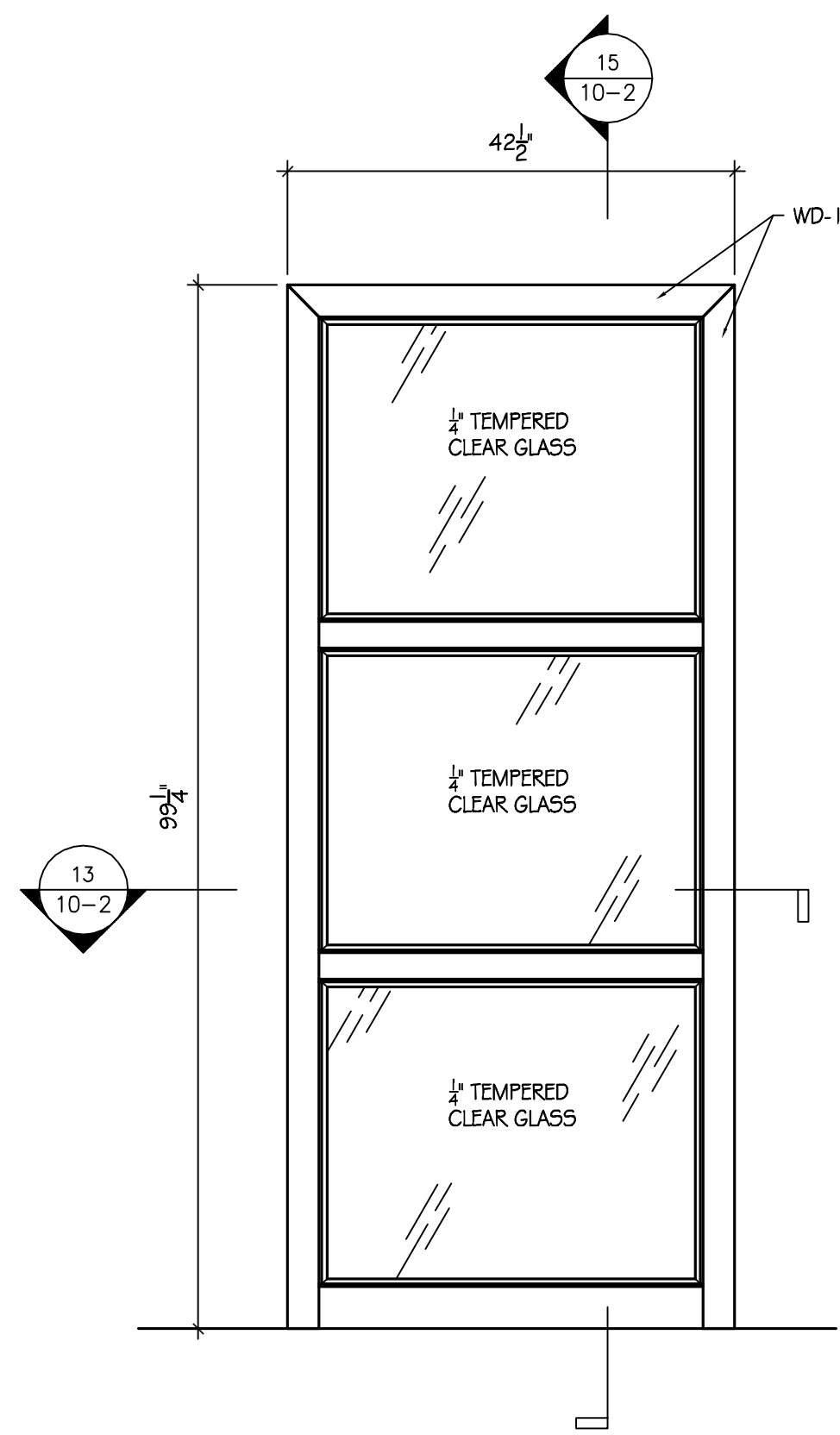
ARCHITECT:
 GENERAL CONTRACTOR:
 DESIGNER:
 NOTES:
 FINISHES:
 WD-1: PLAIN SLICED RED OAK
 FINISHED TO MATCH APPROVED
 SAMPLE

REVISIONS:

SHEET TITLE:
**DR FRAME/SIDELIGHT
 ELEVATION & DETAILS**

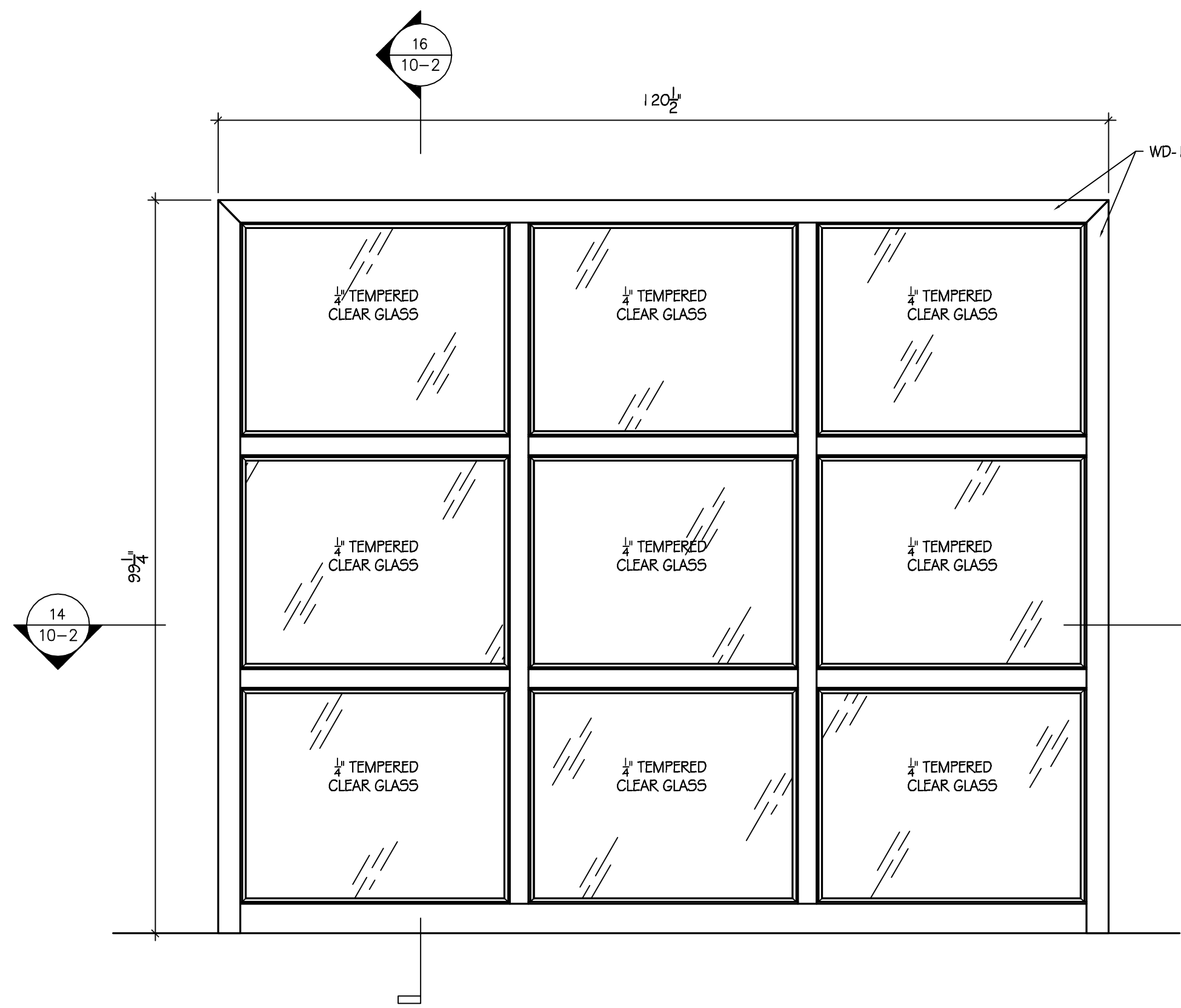
DRAWN BY: TM | DATE: 12/19/07
 JOB: | SHEET NO.

10-1



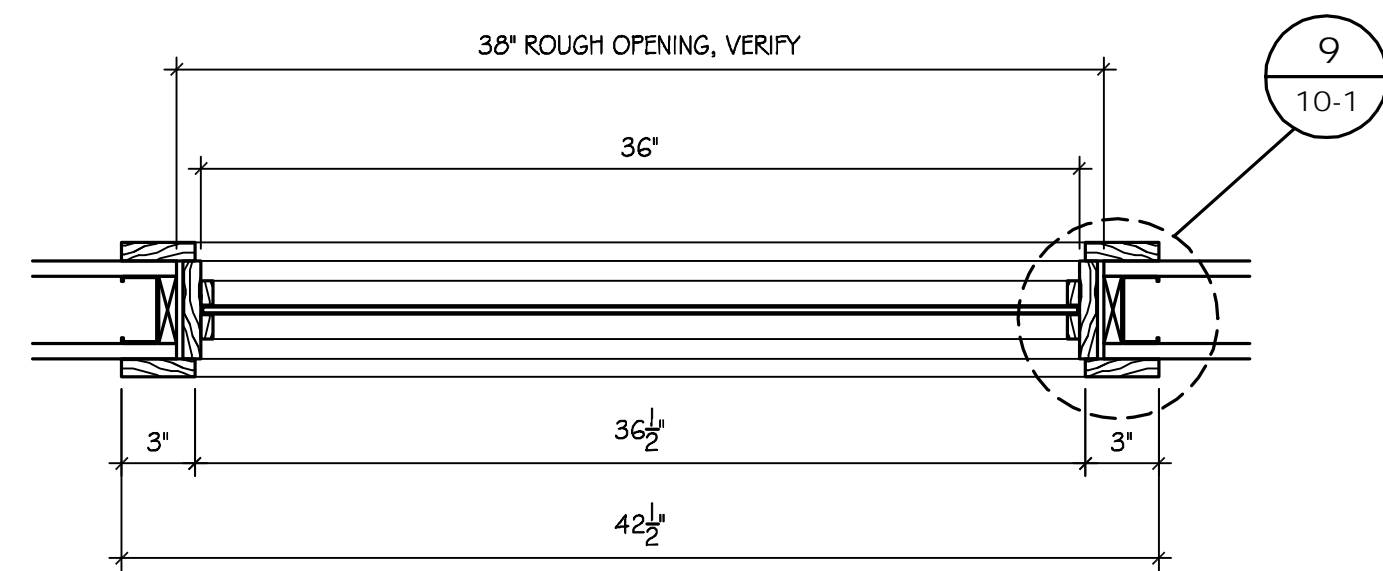
F ELEVATION WINDOW "A"
 10-2 SCALE: 3/4" = 1'-0"
 ARCH. REF: A/A4.2

ONE (1) REQUIRED AS SHOWN AT ROOM 004.

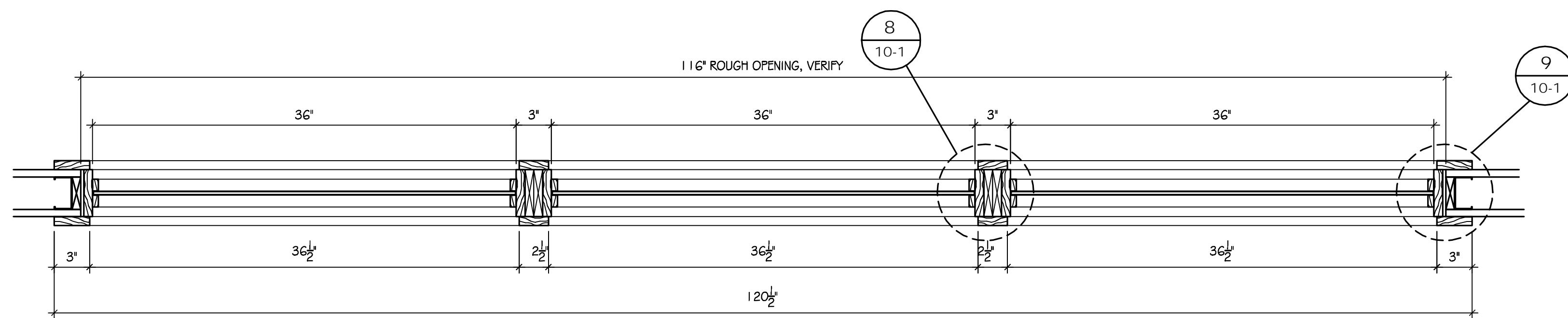


G ELEVATION WINDOW "B"
 10-2 SCALE: 3/4" = 1'-0"
 ARCH. REF: B/A4.2

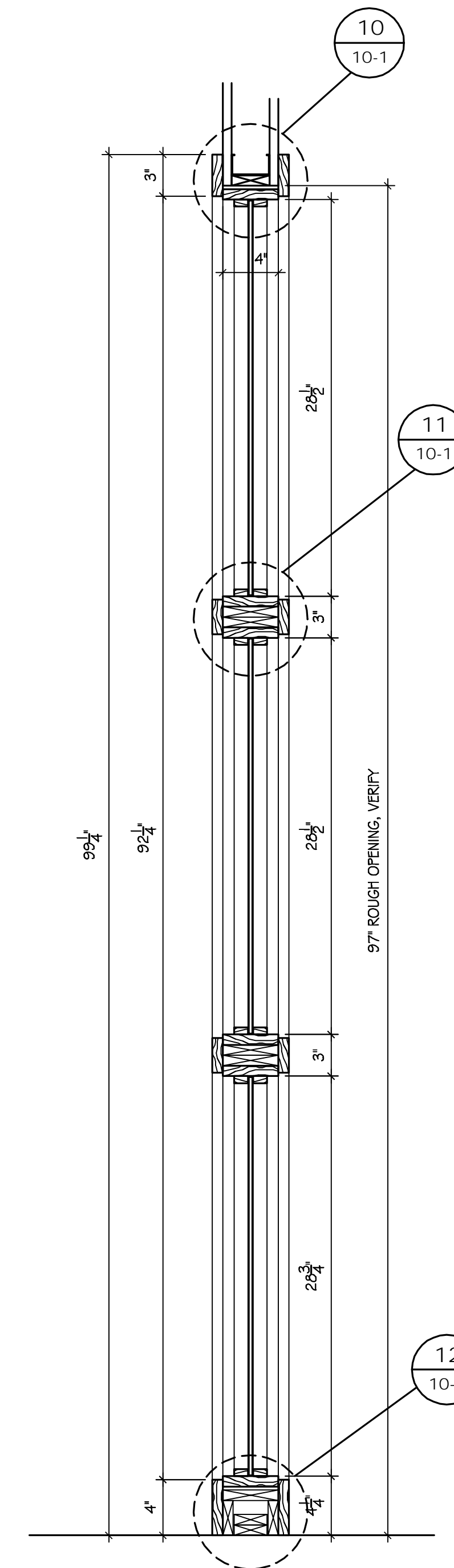
ONE (1) REQUIRED AS SHOWN AT ROOM 013



13 HORIZONTAL SECTION
 10-2 SCALE: 1-1/2" = 1'-0"
 ARCH. REF: NONE



14 HORIZONTAL SECTION
 10-2 SCALE: 1-1/2" = 1'-0"
 ARCH. REF: NONE



15 VERTICAL SECTION
 10-2 SCALE: 1-1/2" = 1'-0"
 ARCH. REF: NONE

ARCHITECT:
 GENERAL CONTRACTOR:
 DESIGNER:

NOTES:

FINISHES:
 WD-1: PLAIN SLICED RED OAK
 FINISHED TO MATCH APPROVED
 SAMPLE

REVISIONS:

SHEET TITLE:

wWINDOWS A & B
 ELEVATION & DETAILS

DRAWN BY: TM

DATE: 12/19/07

JOB:

SHEET NO.

10-1