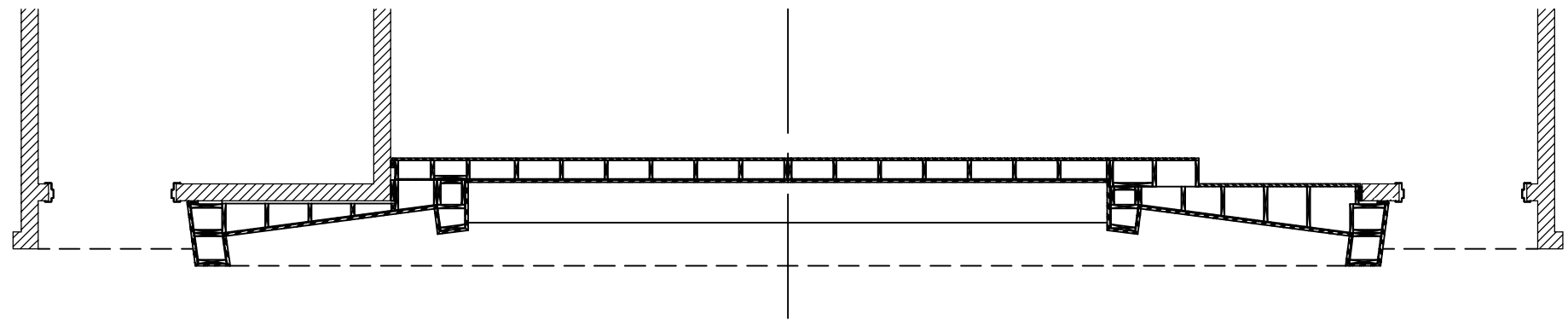
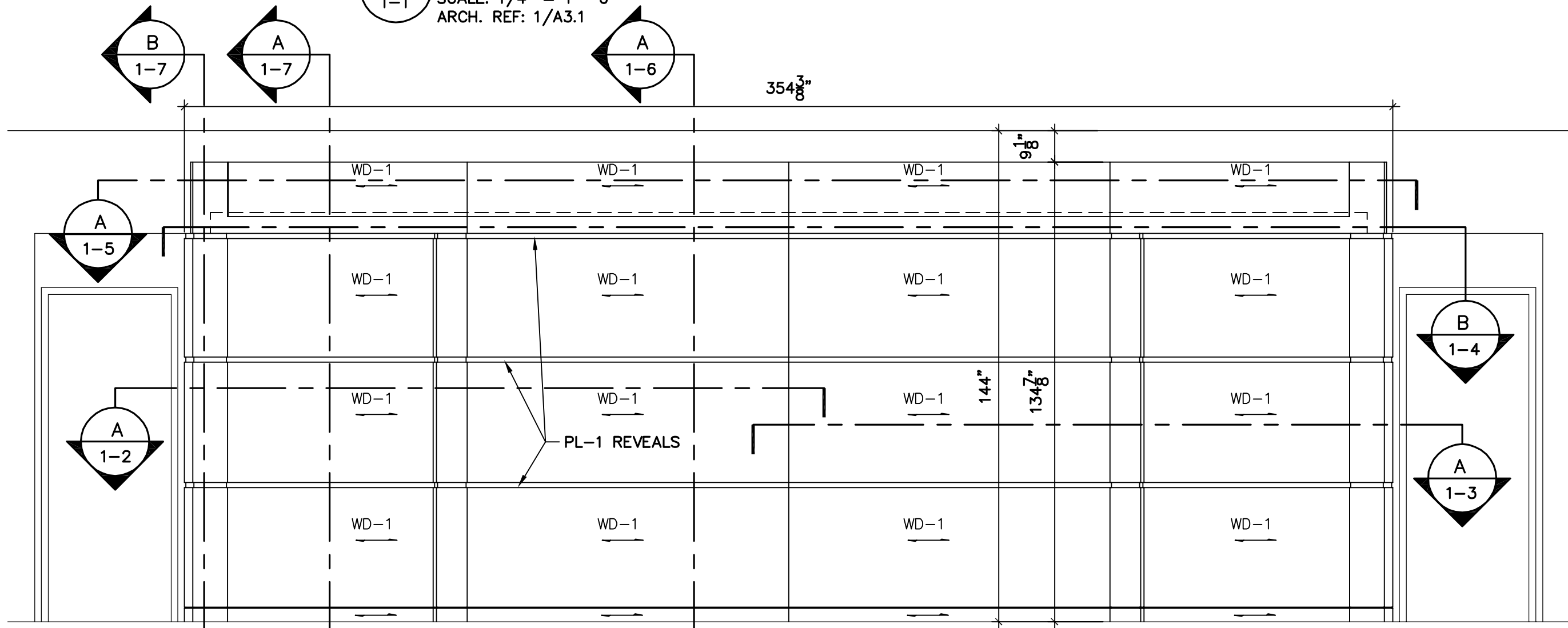


FINISHES:	
WD-1:	QUARTER SLICED CHERRY VENEER FINISHED TO MATCH APPROVED SAMPLE
PL-1:	FORMICA #5163 "ALUMINUM" BRUSHED

REVISIONS	BY
JOB#	
DRAWN BY:	DATE
TM	04/12/06



A
1-1 PLAN VIEW OF VIDEO WALL
SCALE: 1/4" = 1'-0"
ARCH. REF: 1/A3.1



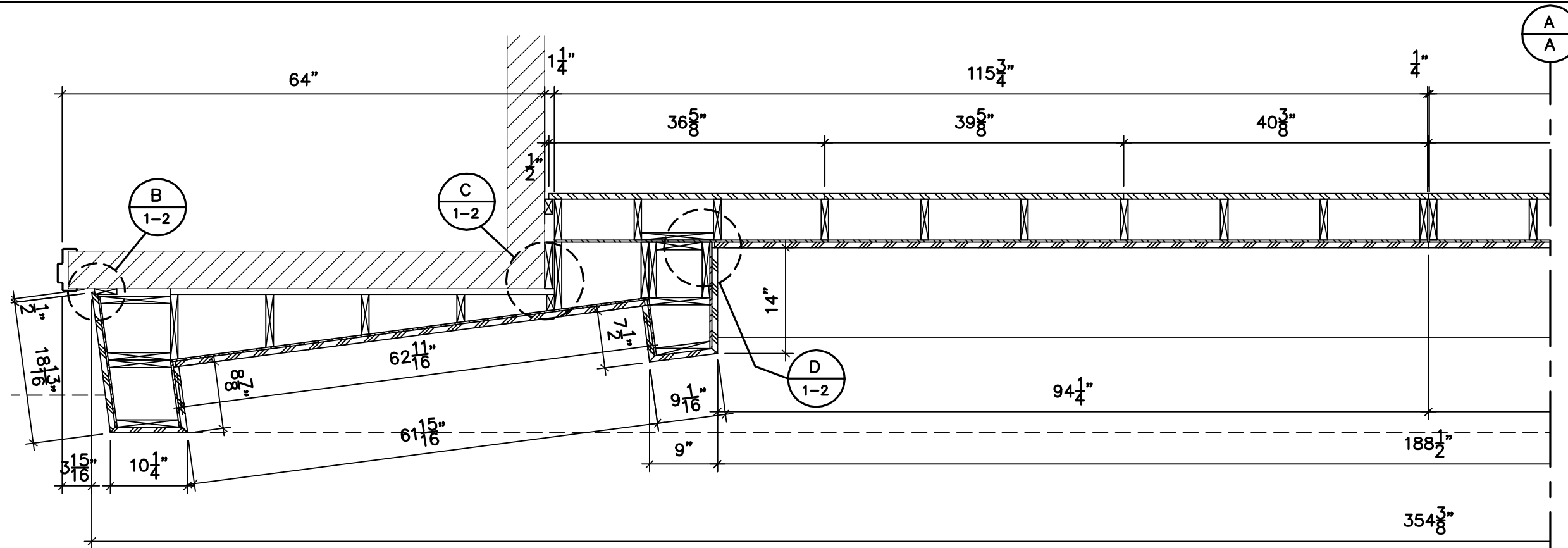
B
1-1 ELEVATION OF VIDEO WALL
SCALE: 3/8" = 1'-0"
ARCH. REF: 2/A3.1

Job Name:

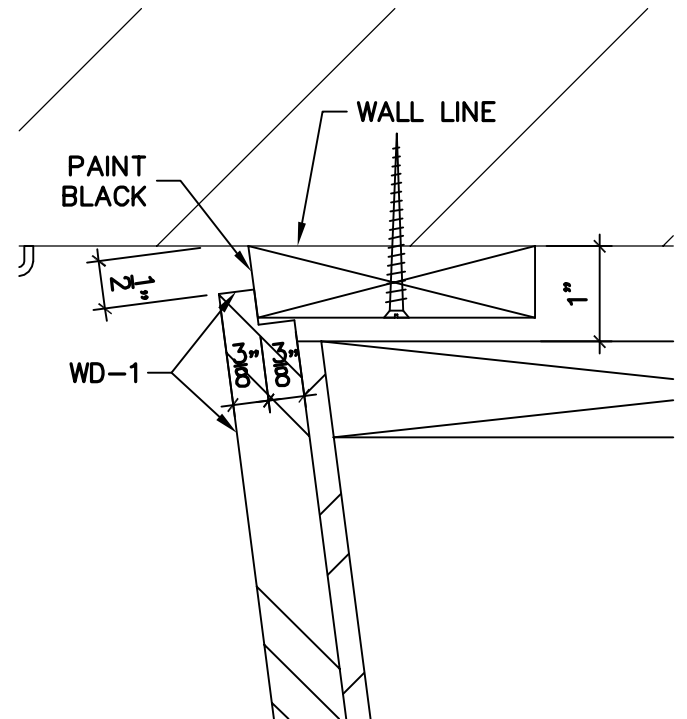
Contractor:

Architect:

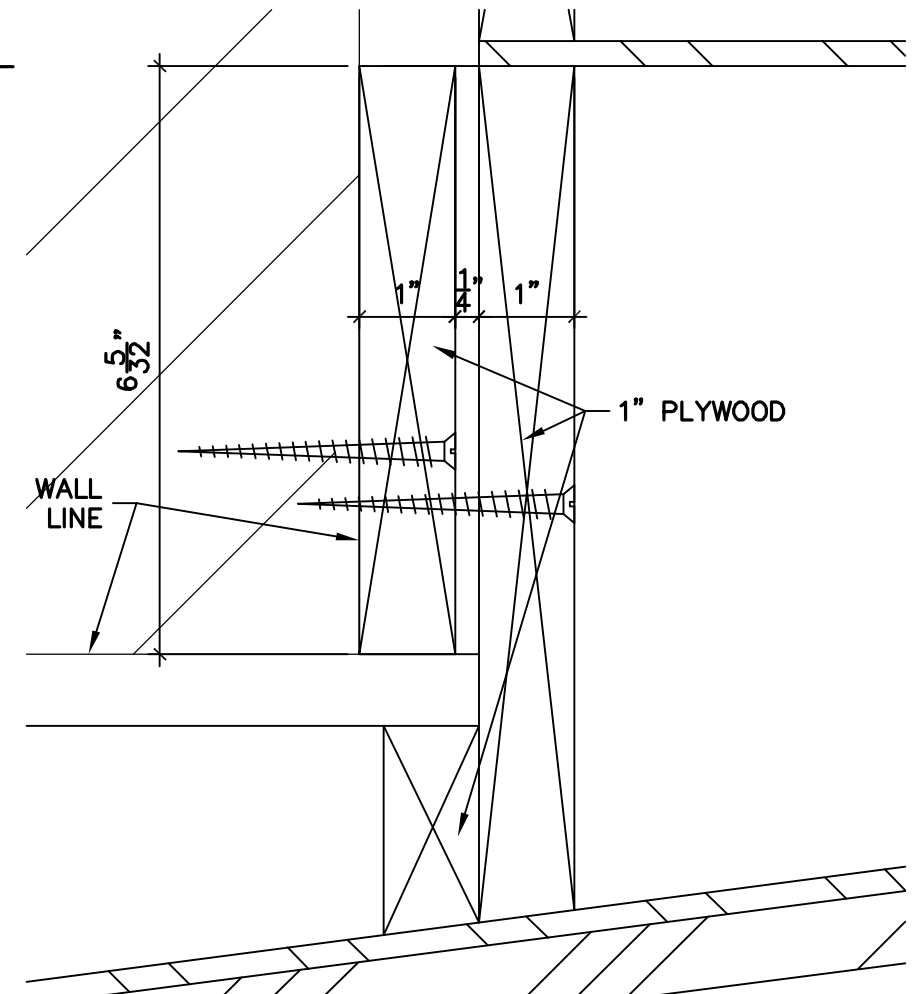
Location:



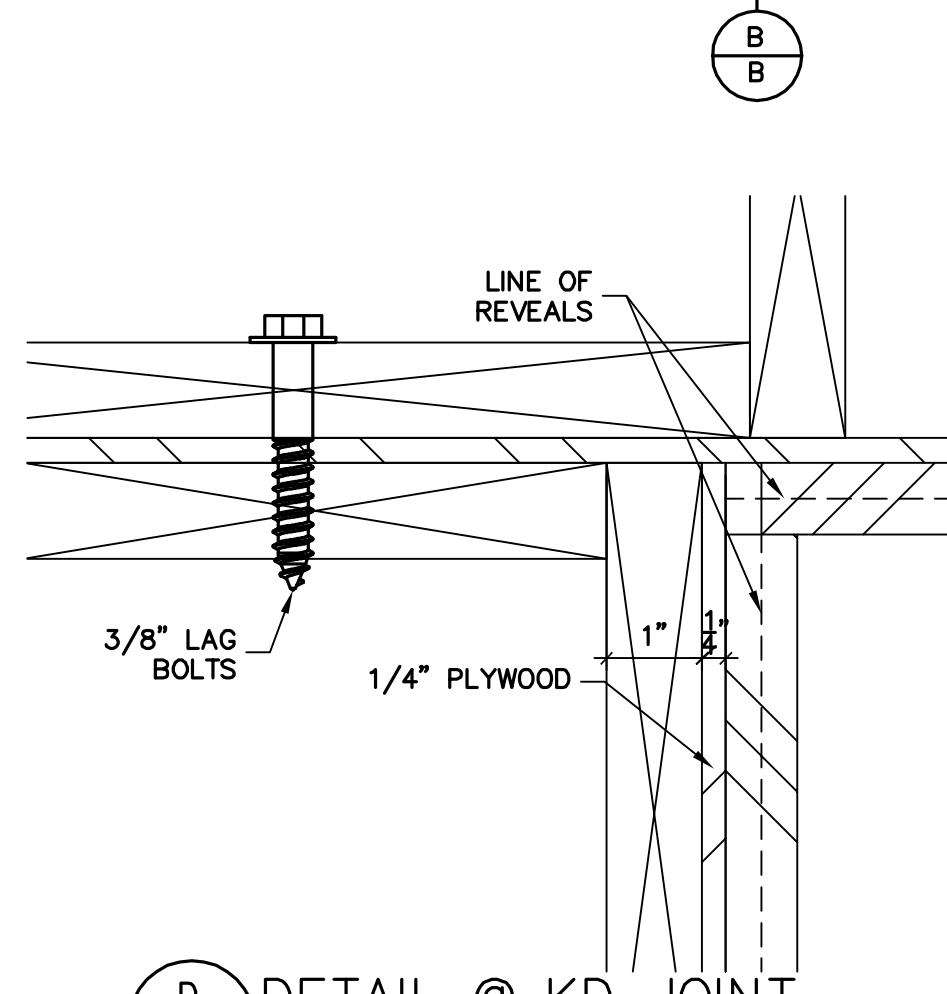
A HORIZONTAL SECTION
 1-2 SCALE: 3/4" = 1'-0"
 ARCH. REF: 1/A3.1



B REVEAL DETAIL
 1-2 SCALE: HALF FULL
 ARCH. REF:



C DETAIL AT FRAMING
 1-2 SCALE: HALF FULL
 ARCH. REF:



D DETAIL @ KD JOINT
 1-2 SCALE: HALF FULL
 ARCH. REF:

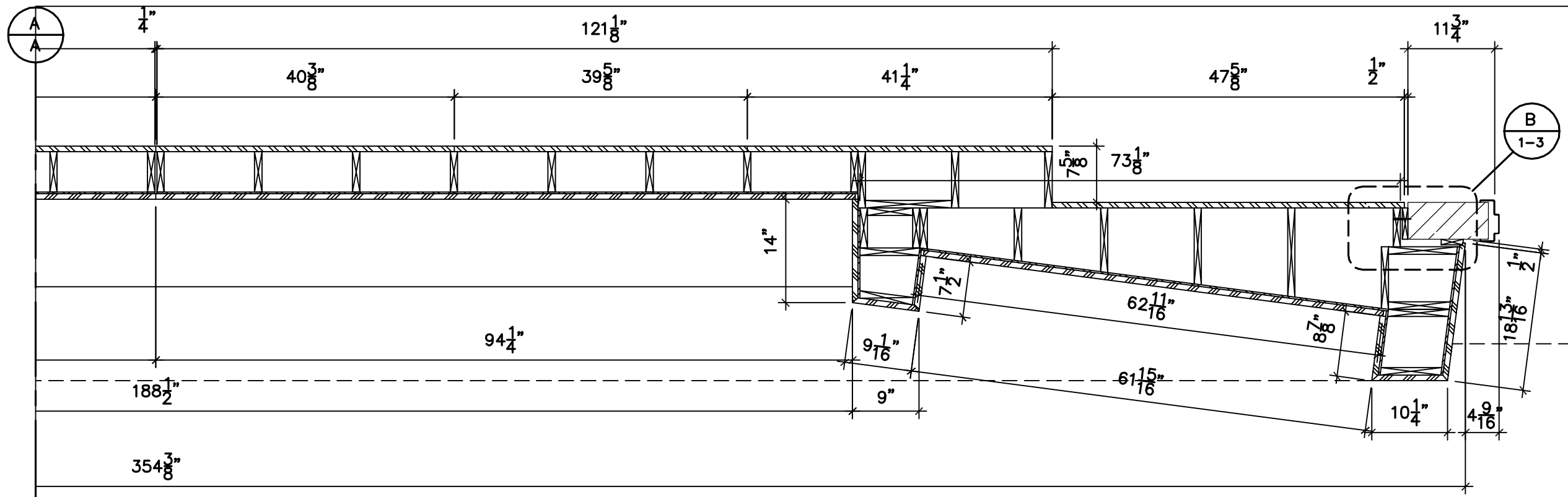
REVISIONS	BY

JOB#

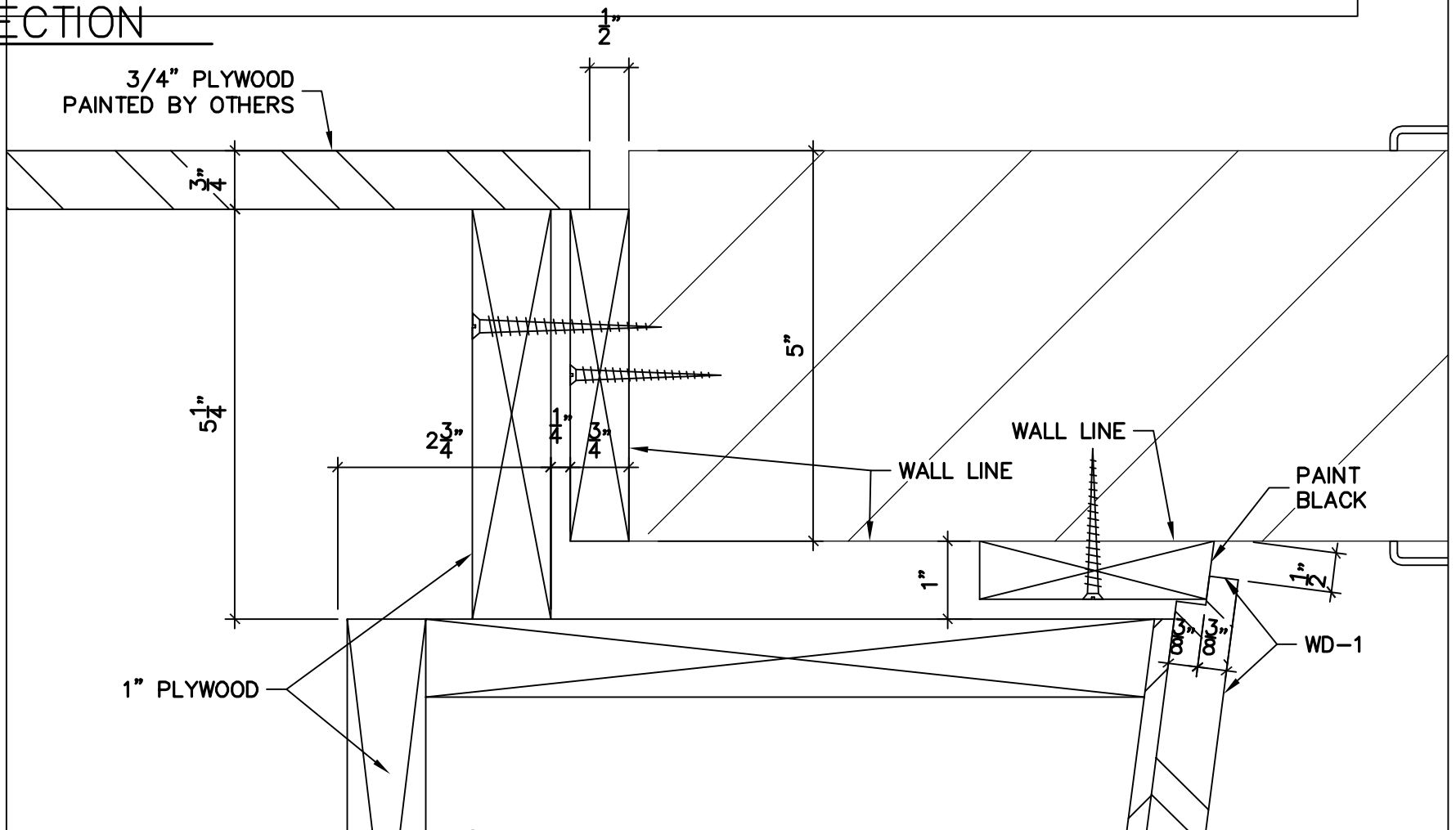
DRAWN BY:	DATE
TM	04/17/06

Job Name:
 Contractor:
 Architect:
 Location:

PAGE:
1-2



A HORIZONTAL SECTION
 1-3 SCALE: 3/4" = 1'-0"
 ARCH. REF: 1/A3.1



B FRAMING DETAIL
 1-3 SCALE: HALF FULL
 ARCH. REF:

REVISIONS	BY

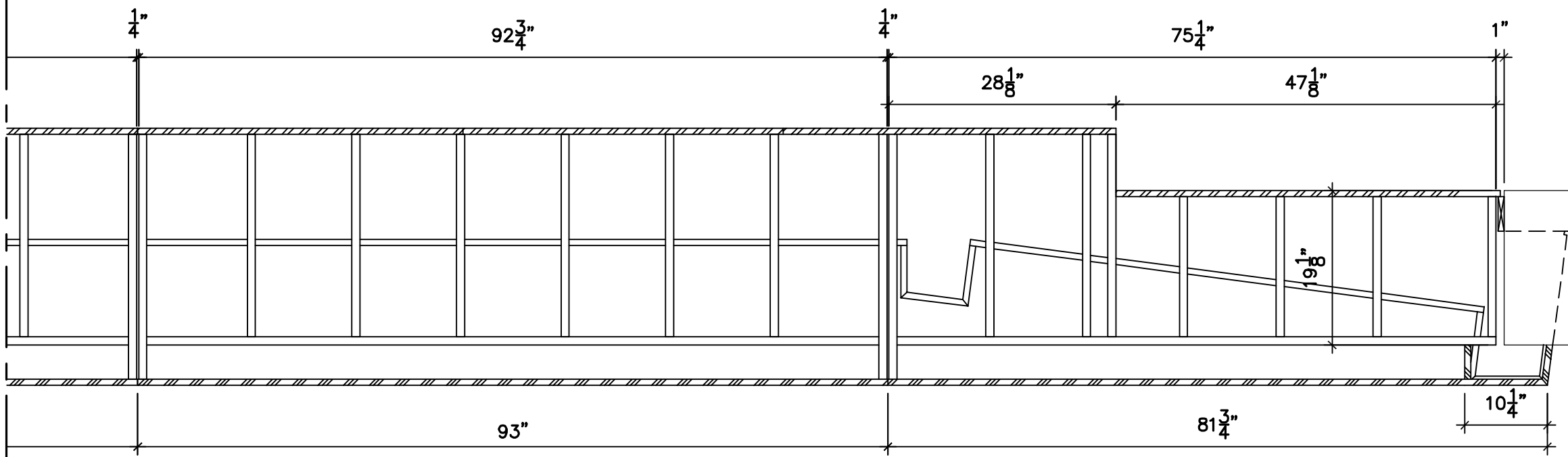
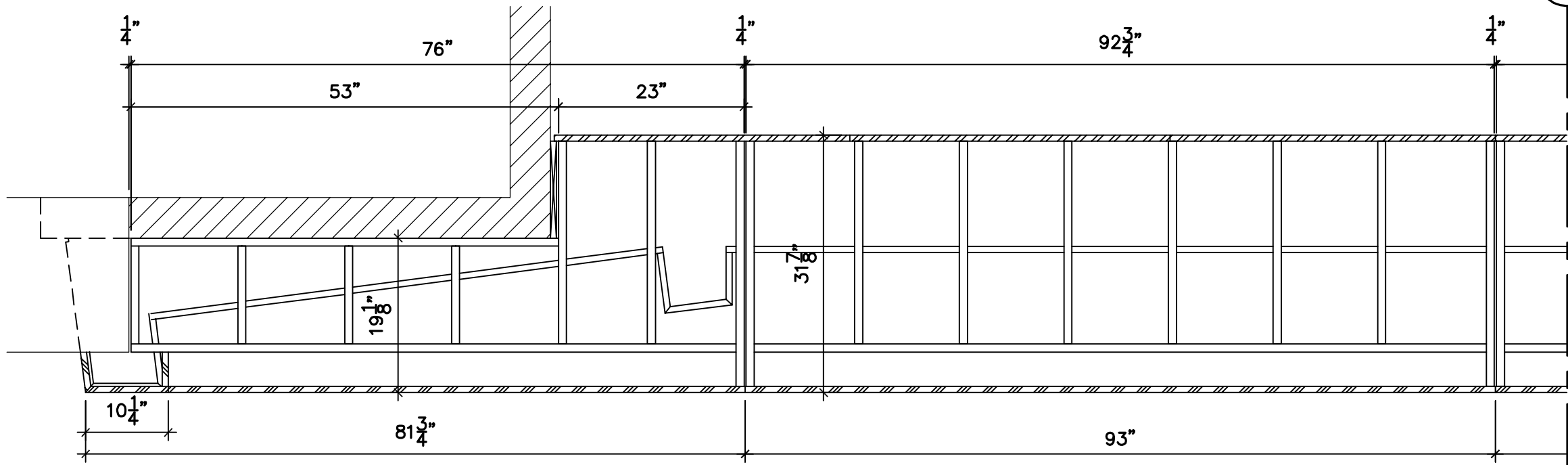
JOB#

DRAWN BY: DATE

TM 04/17/06

Job Name:
 Contractor:
 Architect:
 Location:

PAGE:
1-3



A HORIZONTAL SECTION
 1-4 SCALE: 3/4" = 1'-0"
 ARCH. REF: 1/A3.1

REVISIONS	BY

JOB#

DRAWN BY:	DATE
TM	04/17/06

Job Name:

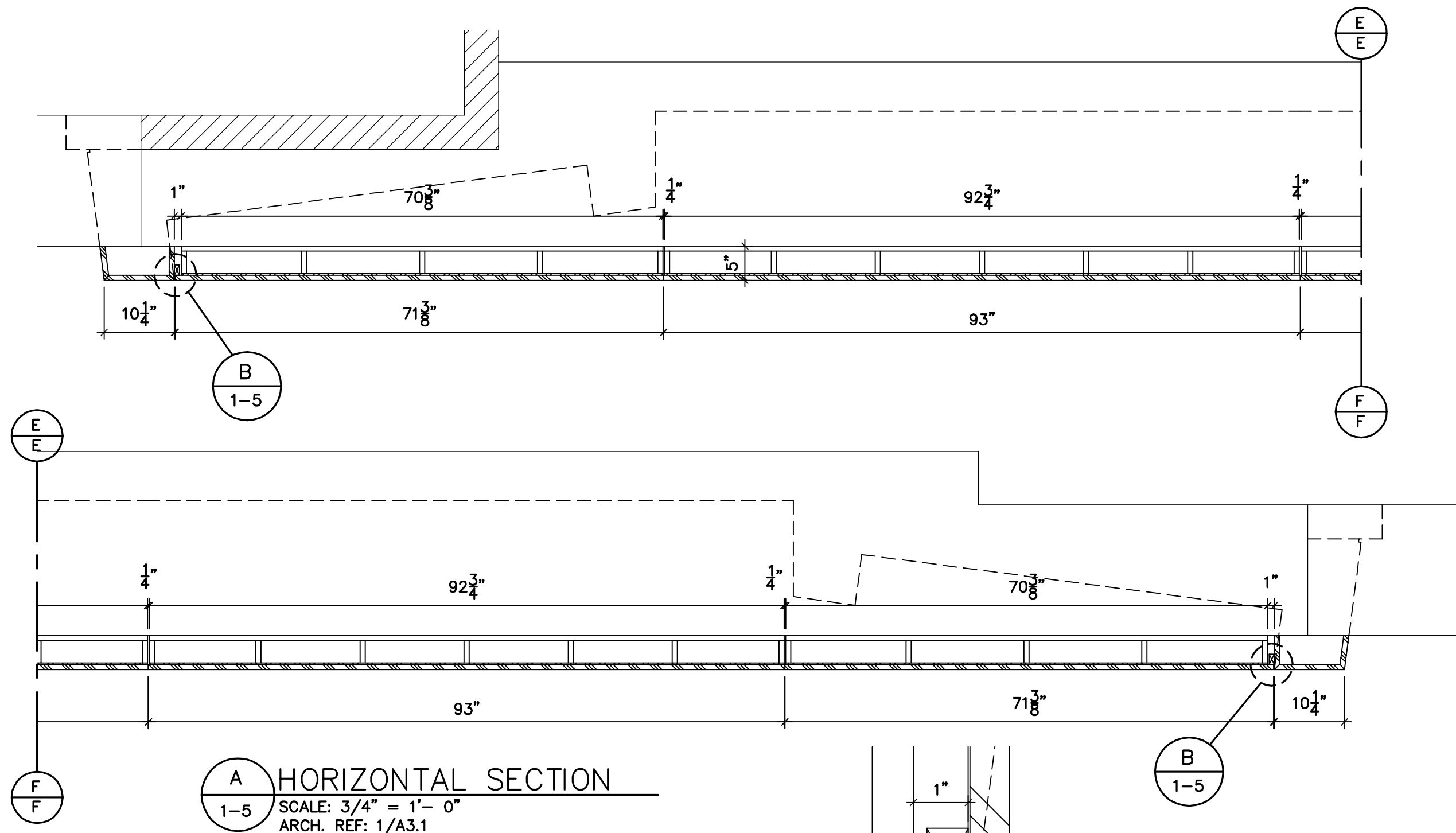
Contractor:

Architect:

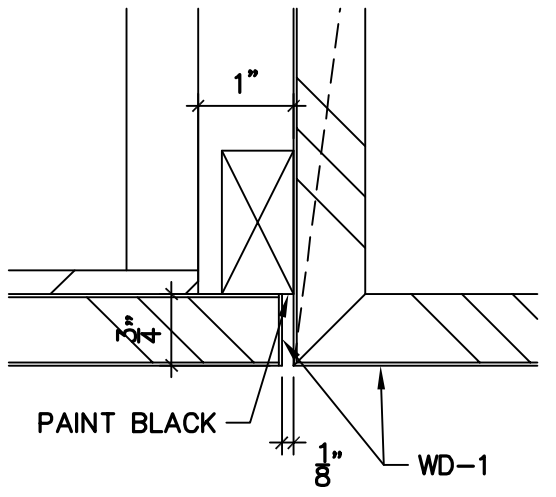
Location:

PAGE:

1-4



A HORIZONTAL SECTION
 1-5 SCALE: 3/4" = 1'-0"
 ARCH. REF: 1/A3.1



B PANEL DETAIL
 1-5 SCALE: HALF FULL
 ARCH. REF:

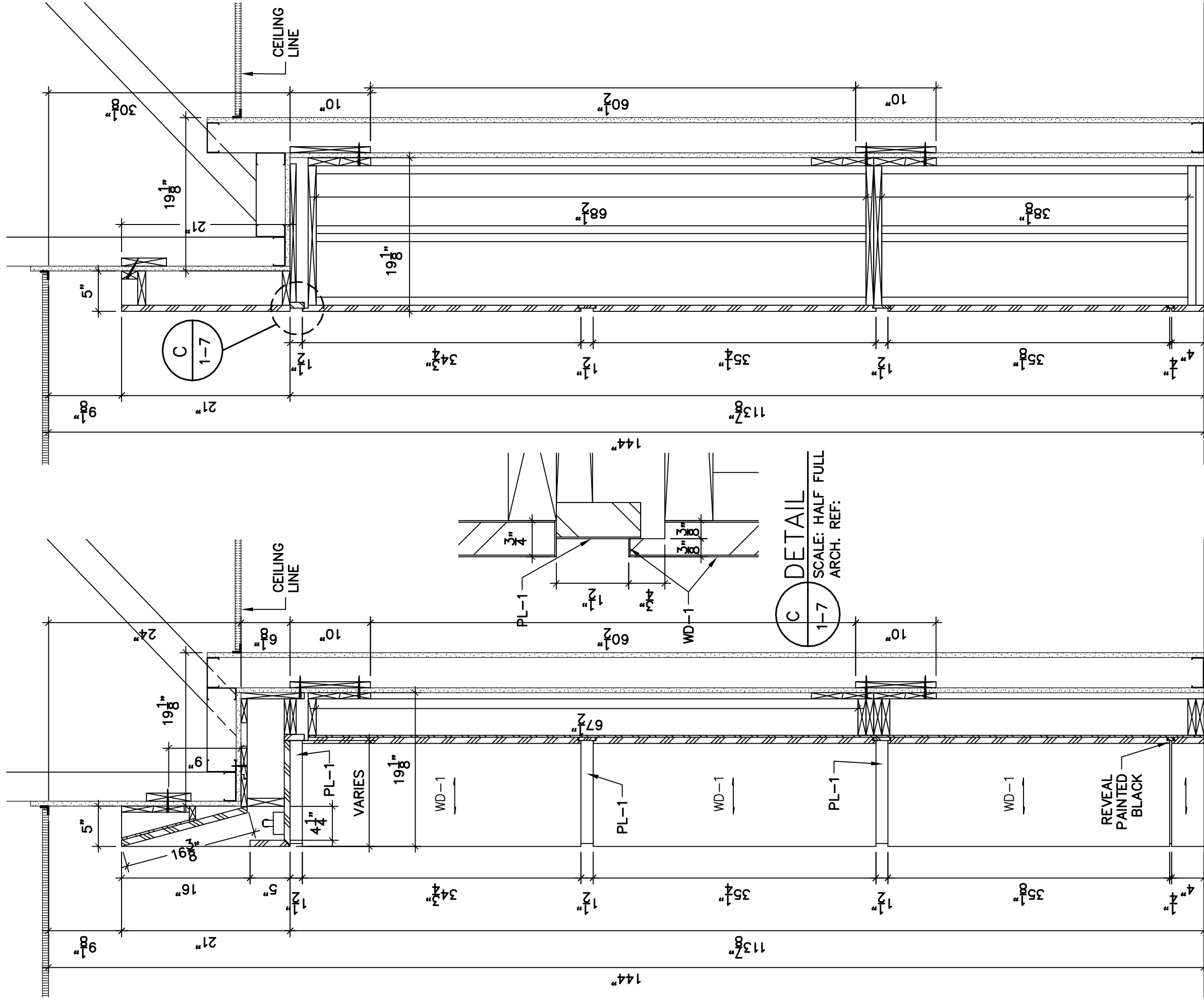
REVISIONS	BY
JOB#	
DRAWN BY:	DATE
TM	04/19/06

Job Name:

Contractor:

Architect:

Location:



A VERTICAL SECTION
 1-7 SCALE: 1" = 1'-0"
 ARCH. REF: 4/A3.2

B VERTICAL SECTION
 1-7 SCALE: 1" = 1'-0"
 ARCH. REF: 4/A3.2

C DETAIL
 1-7 SCALE: HALF FULL
 ARCH. REF:

Job Name:

Contractor:

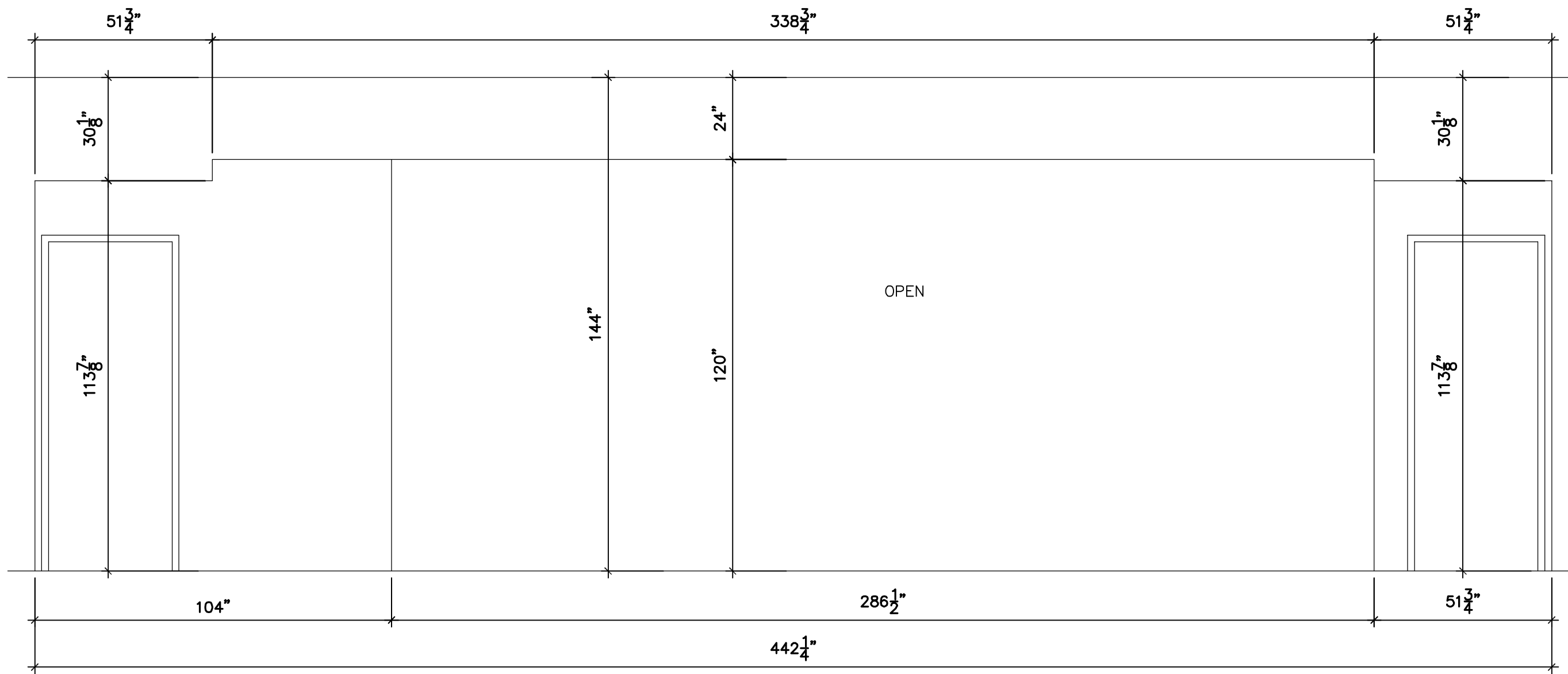
Architect:

Location:

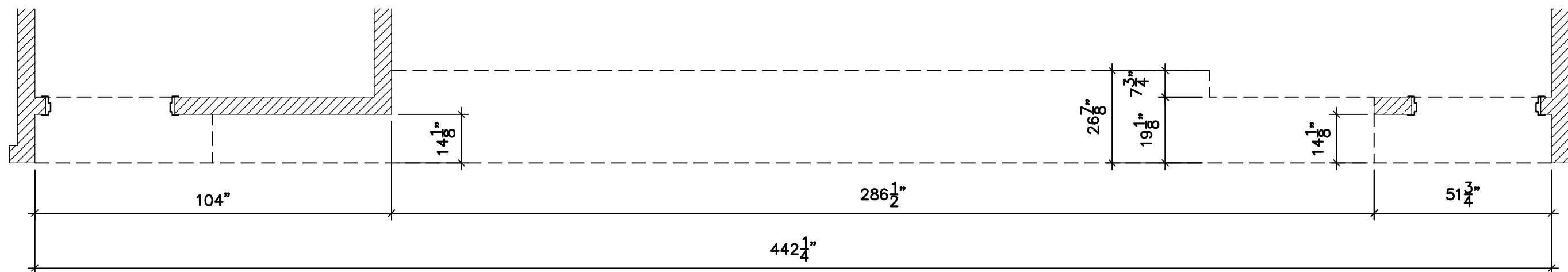
DRAWN BY:	DATE
TM	04/18/06

REVISIONS	BY

JOB#



A ELEVATION OF DRYWALL OPENINGS
 1-8 SCALE: 3/8" = 1'- 0"
 ARCH. REF:



B PLAN OF DRYWALL OPENINGS
 1-8 SCALE: 3/8" = 1'- 0"
 ARCH. REF:

REVISIONS	BY

JOB#

DRAWN BY:	DATE
TM	04/19/06

Job Name:

Contractor:

Architect:

Location: