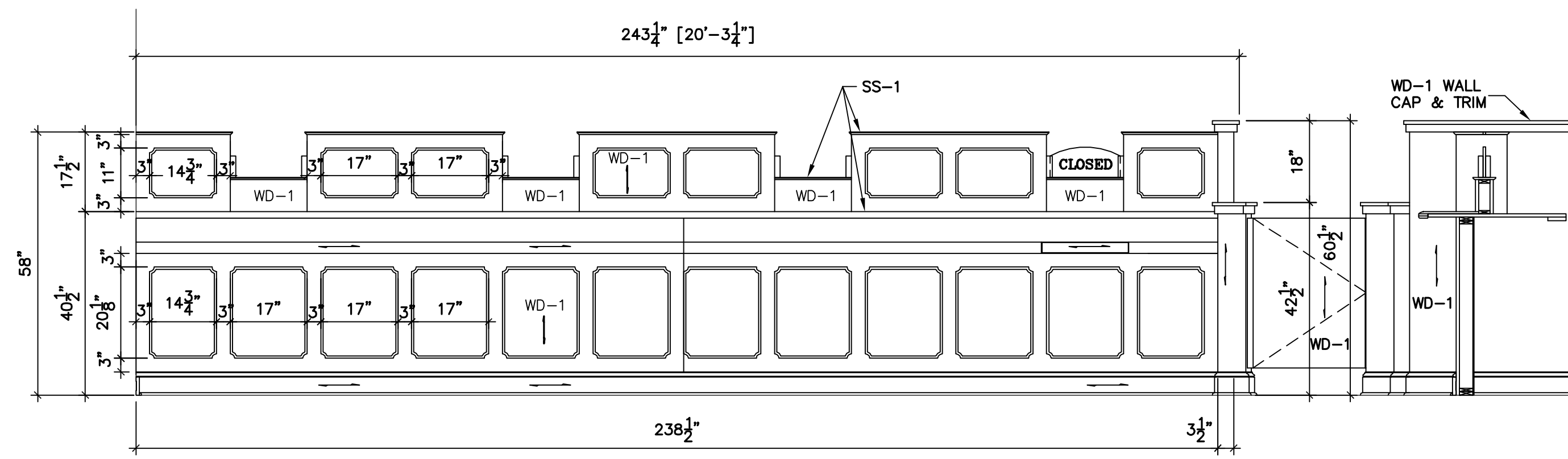


FINISHES:	
PL-5:	WILSONART #4881-38 "COPPER MESH"
SS-1:	WILSONART SOLID SURFACE #9047ML "CHICORY CREAM MELANGE"
WD-1:	MAPLE VENEER OR SOLID STAINED TO MATCH APPROVED SAMPLE
NOTE: ALL CABINET INTERIORS TO BE WHITE MELAMINE UNLESS OTHERWISE NOTED	
CABINET HARDWARE:	
HINGES:	BLUM 125° CONCEALED SELF CLOSING.
DRAWER SLIDES:	GRASS ZARGEN 16" SLIDES
PULLS:	HAFELE #116.39.553
GROMMETS:	HAFELE #631.26.301 2 3/4" (2 3/8" HOLE)

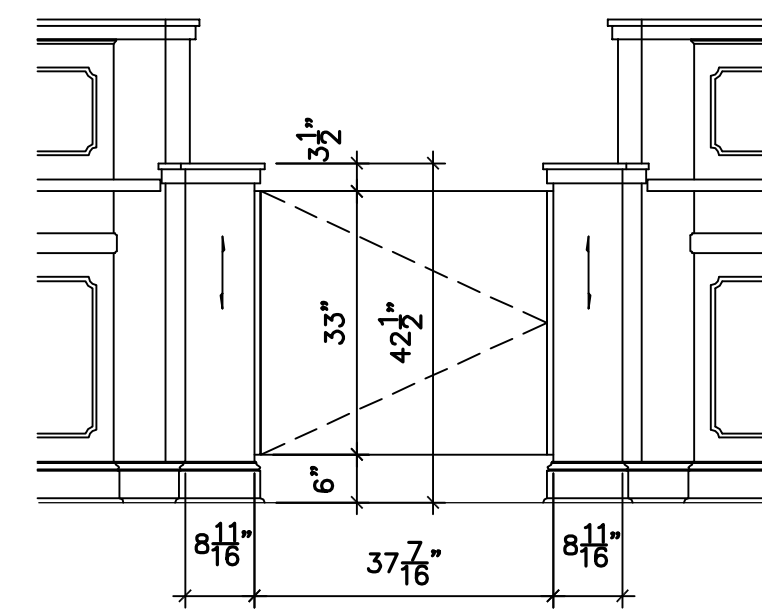
REVISIONS	BY
JOB#	
DRAWN BY:	DATE
TM	02/13/08

Job Name:

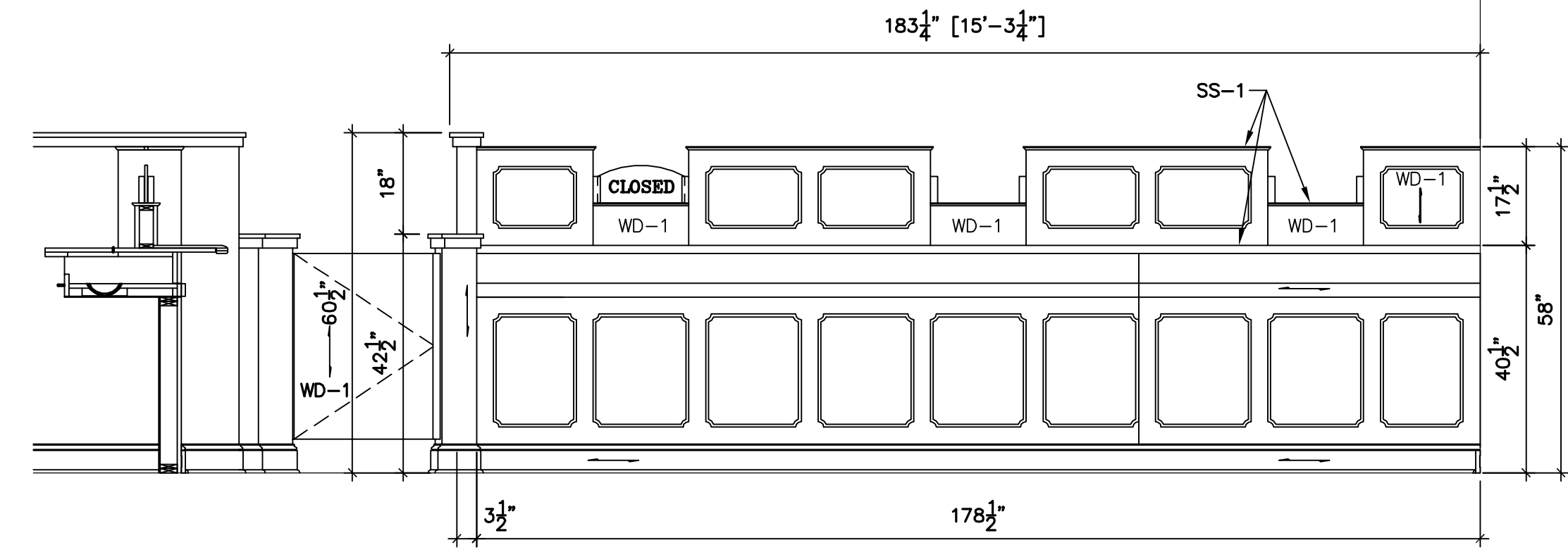
PAGE:
1-1



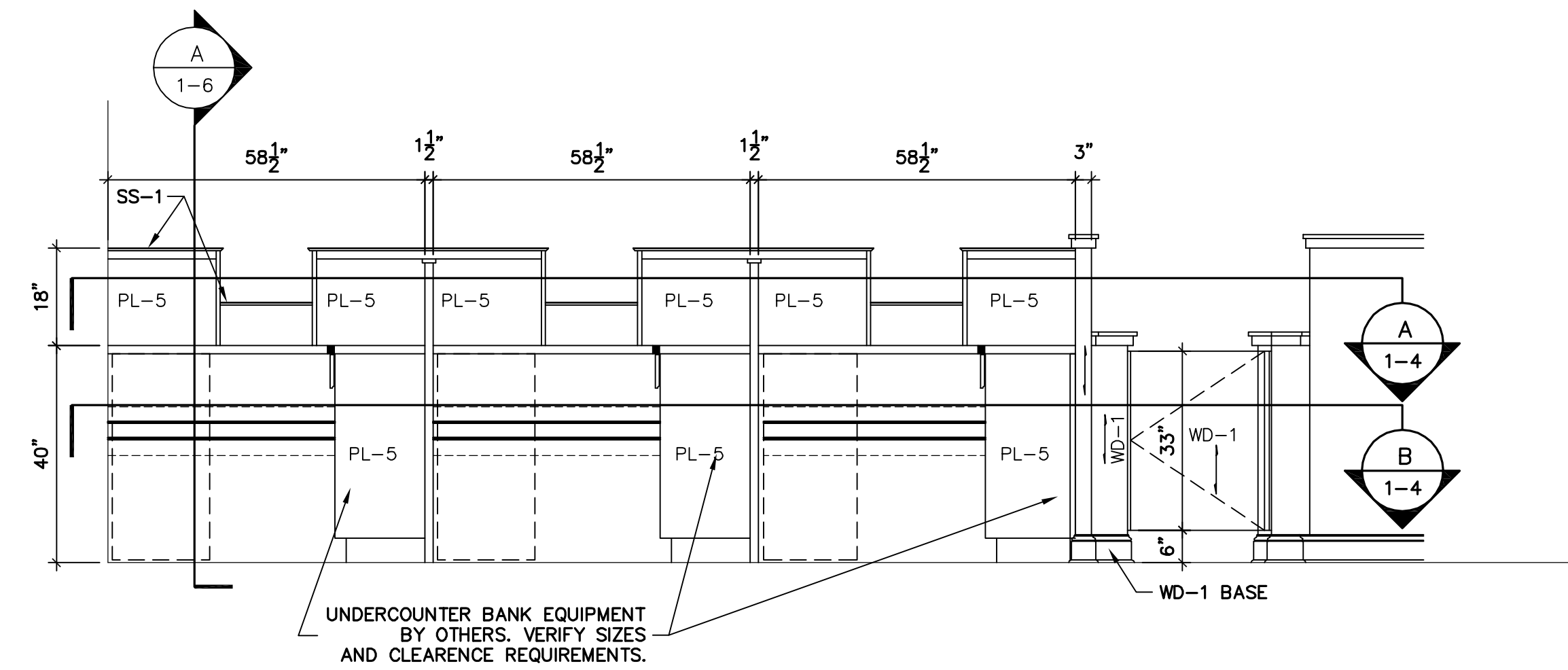
A ELEVATION
1-2 SCALE: 1/2" = 1' = 0"
ARCH. REF: 1/A-501



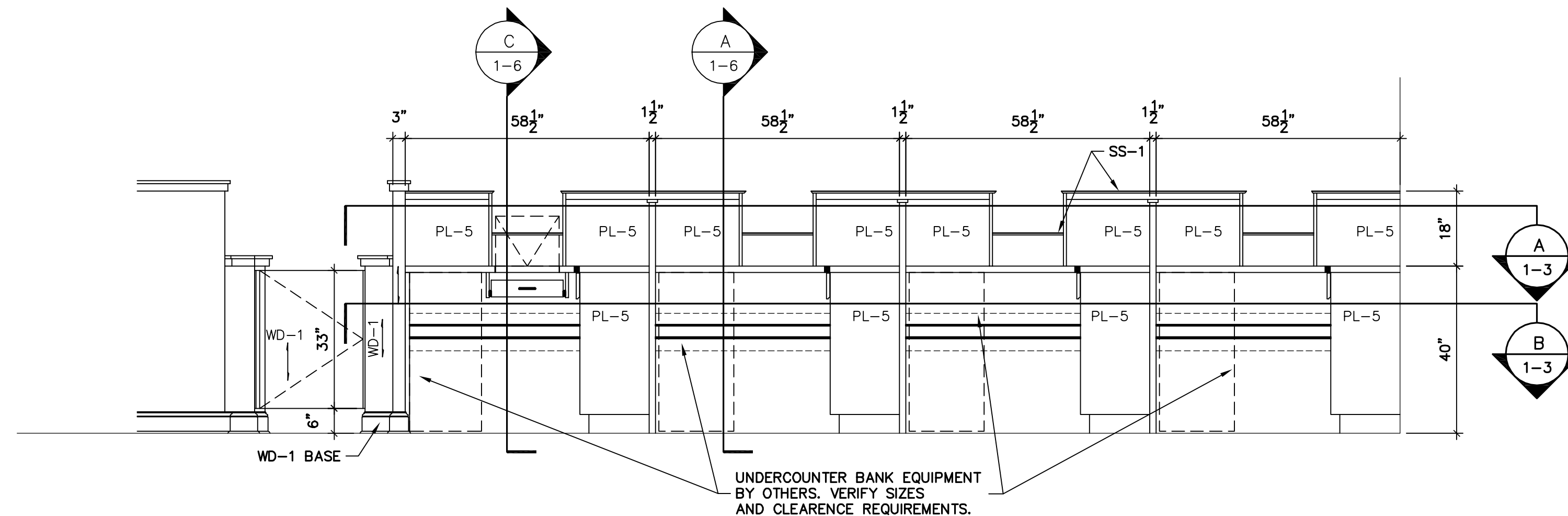
B ELEVATION
1-2 SCALE: 1/2" = 1' = 0"
ARCH. REF: 1/A-501



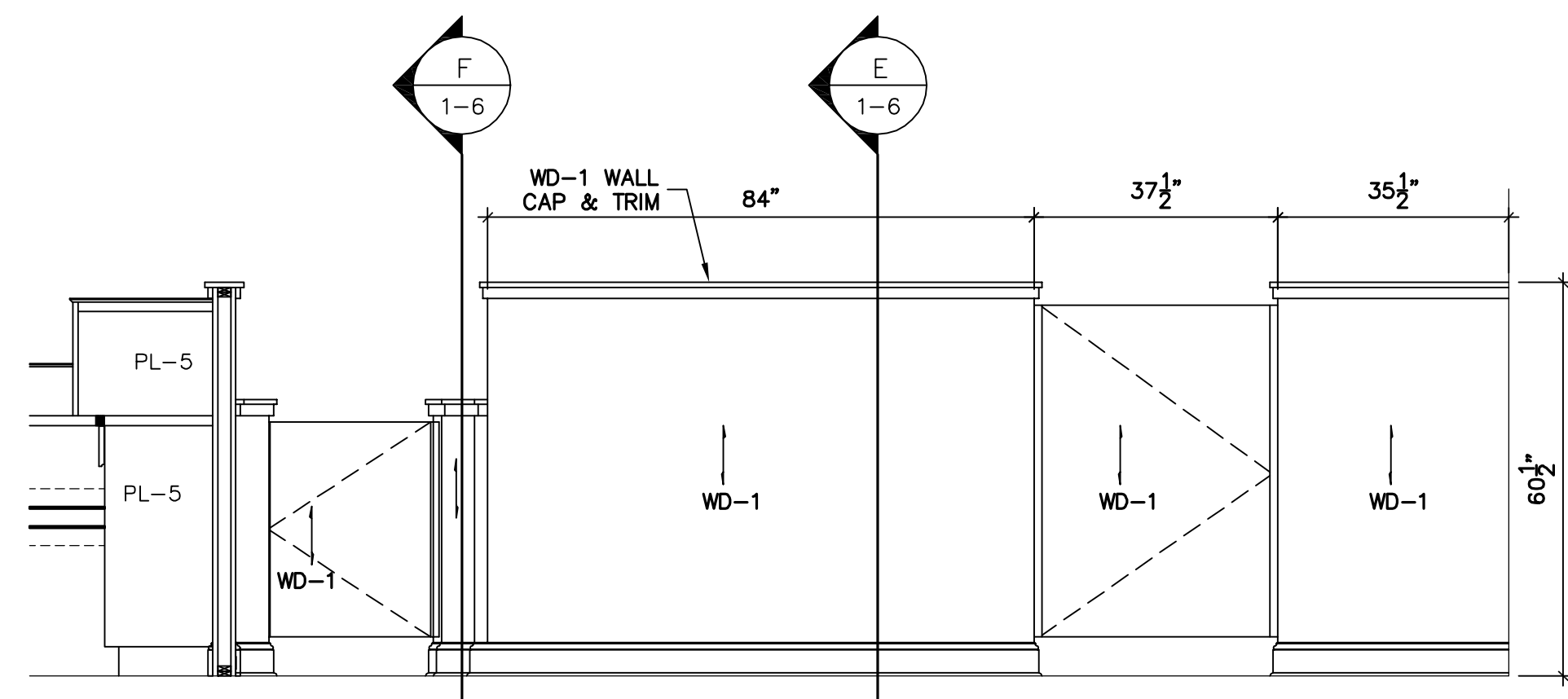
C ELEVATION
1-2 SCALE: 1/2" = 1' = 0"
ARCH. REF: 1/A-501



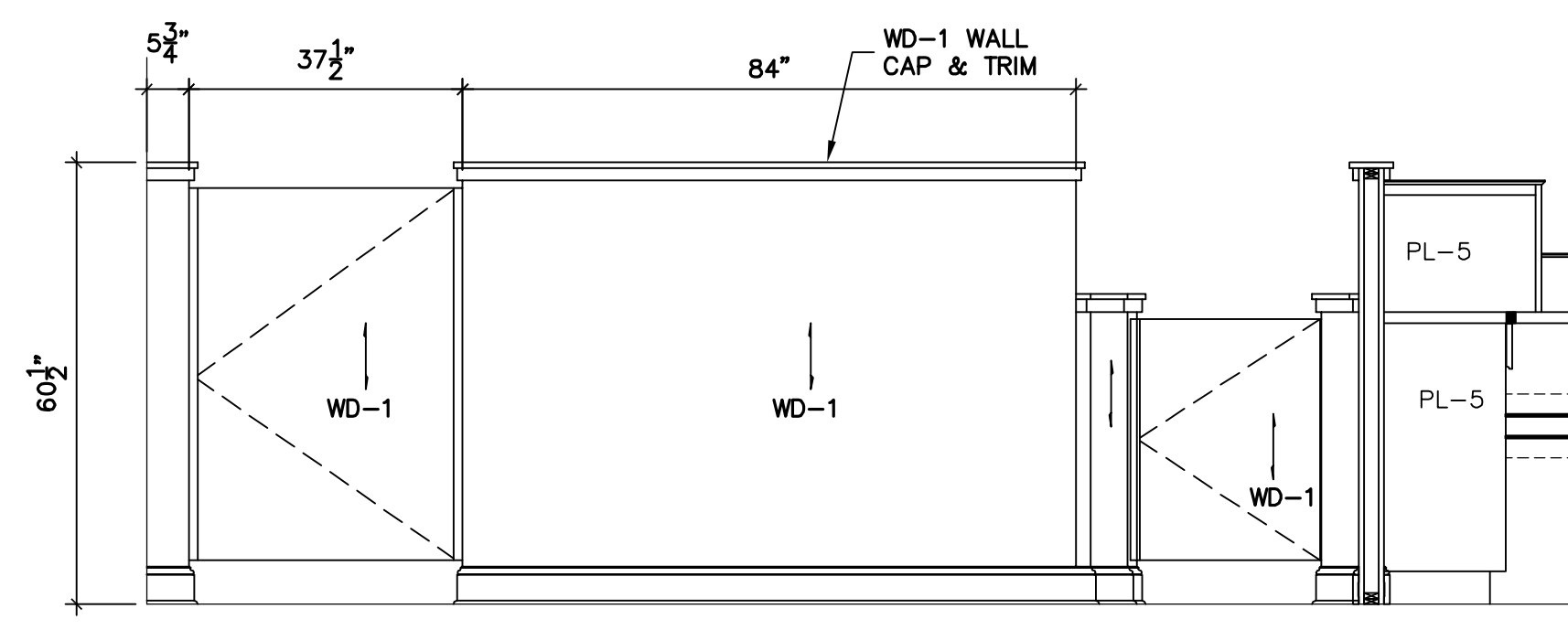
D ELEVATION
1-2 SCALE: 1/2" = 1' = 0"
ARCH. REF: NONE



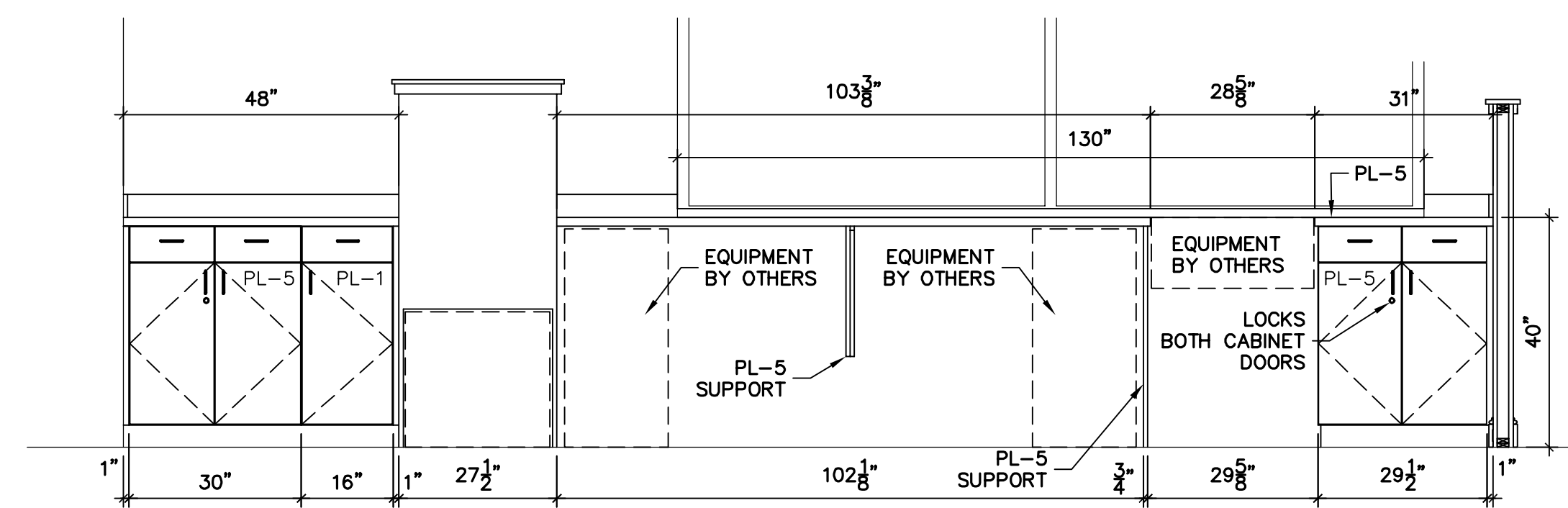
E ELEVATION
1-2 SCALE: 1/2" = 1' = 0"
ARCH. REF: NONE



F ELEVATION
1-2 SCALE: 1/2" = 1' = 0"
ARCH. REF: NONE



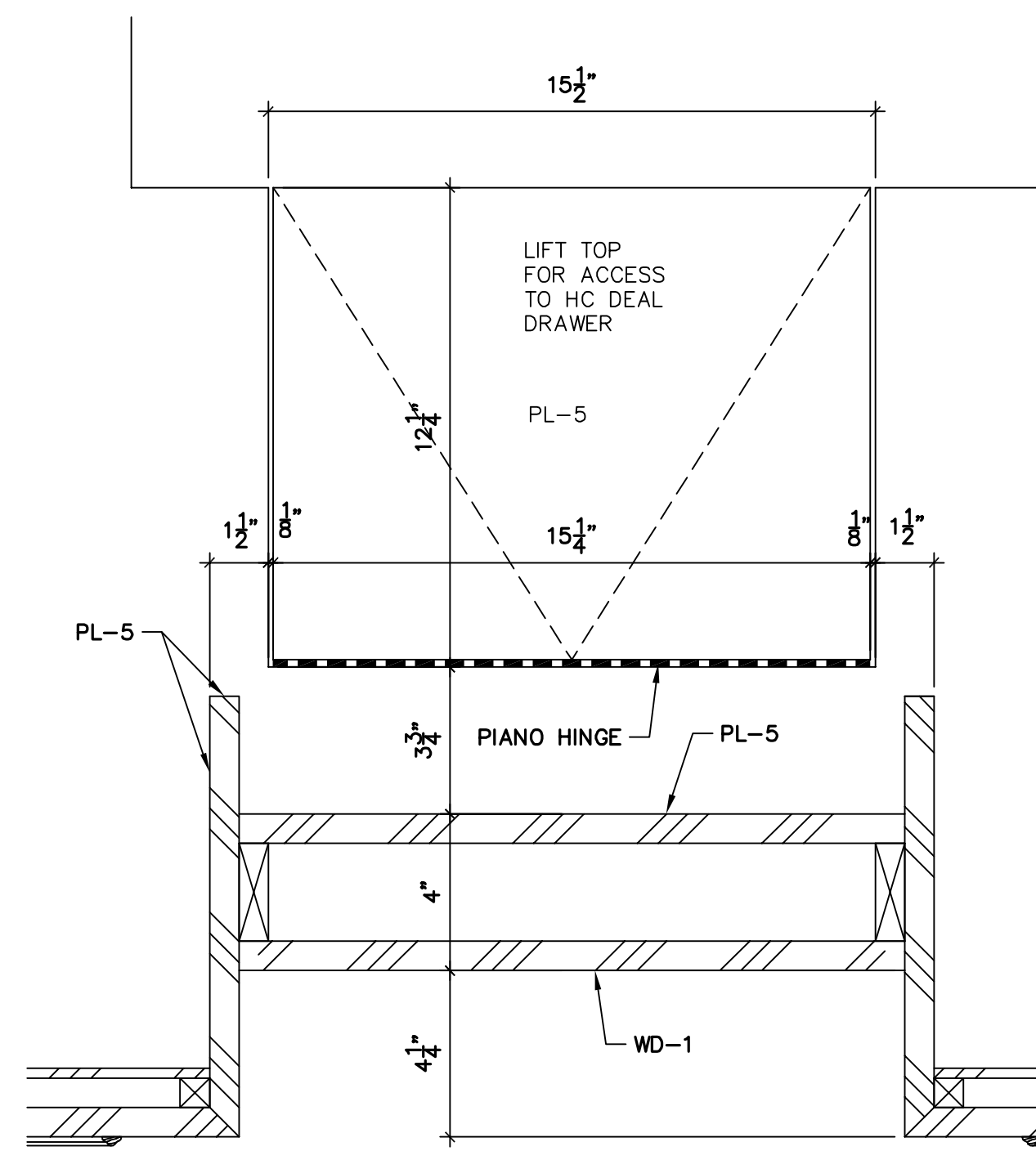
G ELEVATION
1-2 SCALE: 1/2" = 1' = 0"
ARCH. REF: NONE



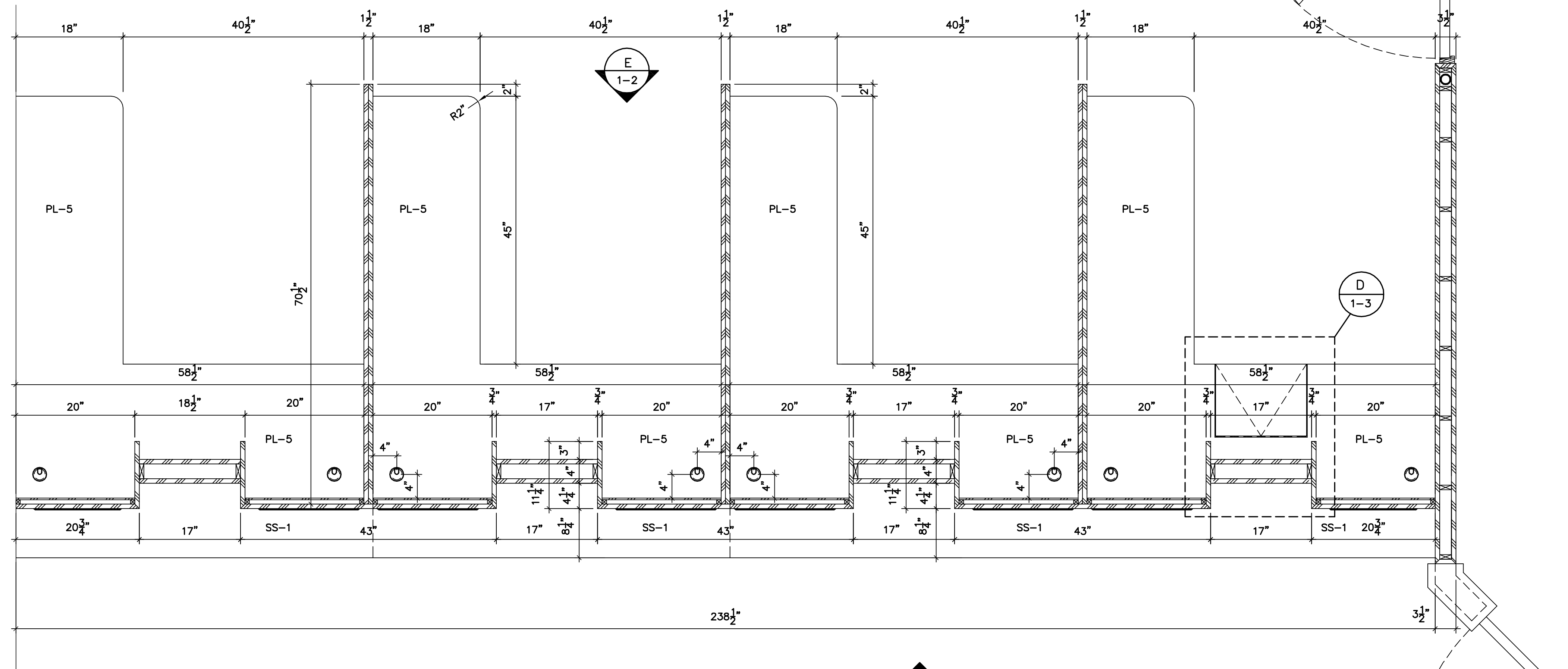
H ELEVATION
1-2 SCALE: 1/2" = 1' = 0"
ARCH. REF: 1/A-501

REVISIONS	BY
JOB#	
DRAWN BY:	DATE
TM	02/13/08

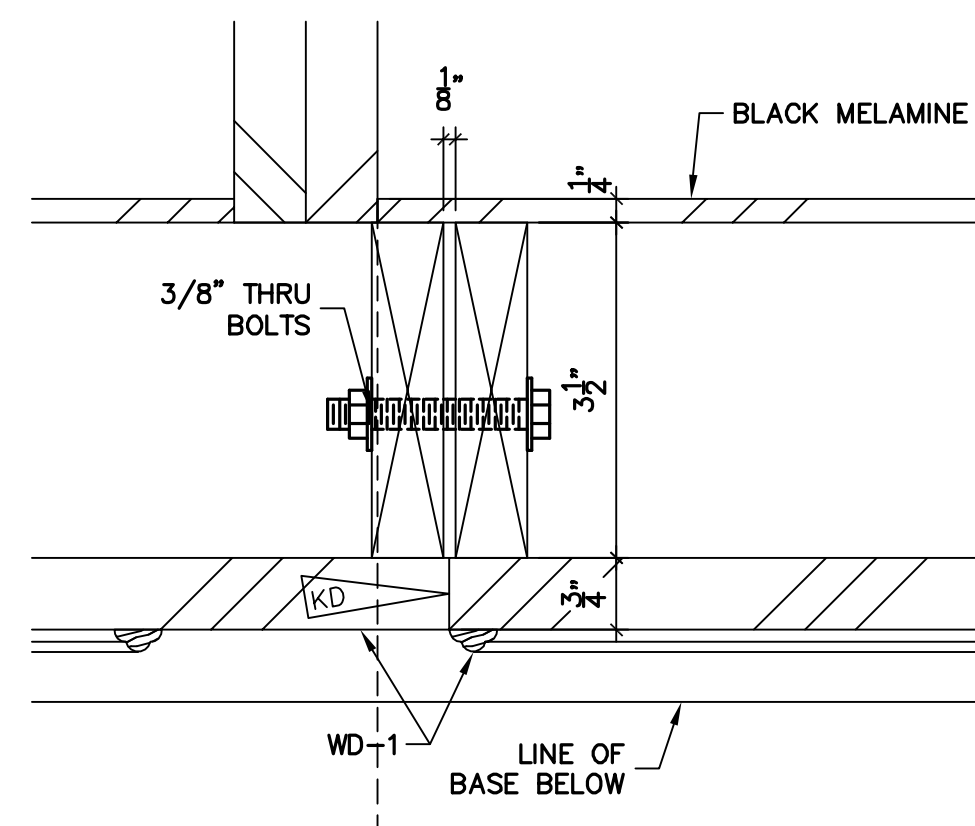
Job Name:



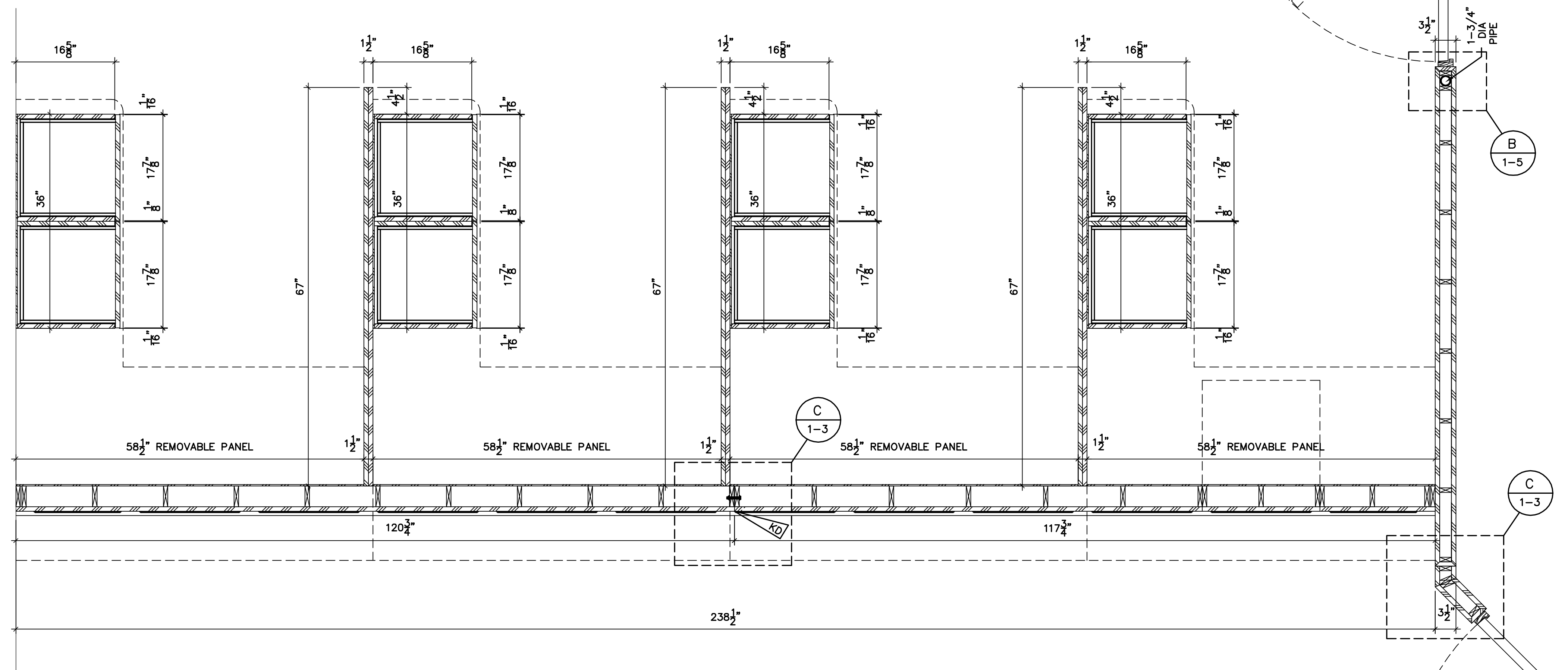
D DETAIL AT LIFT TOP
 1-3 SCALE: 6" = 1'-0"
 ARCH. REF: NONE



A HORIZONTAL SECTION
 1-3 SCALE: 1" = 1'-0"
 ARCH. REF: NONE



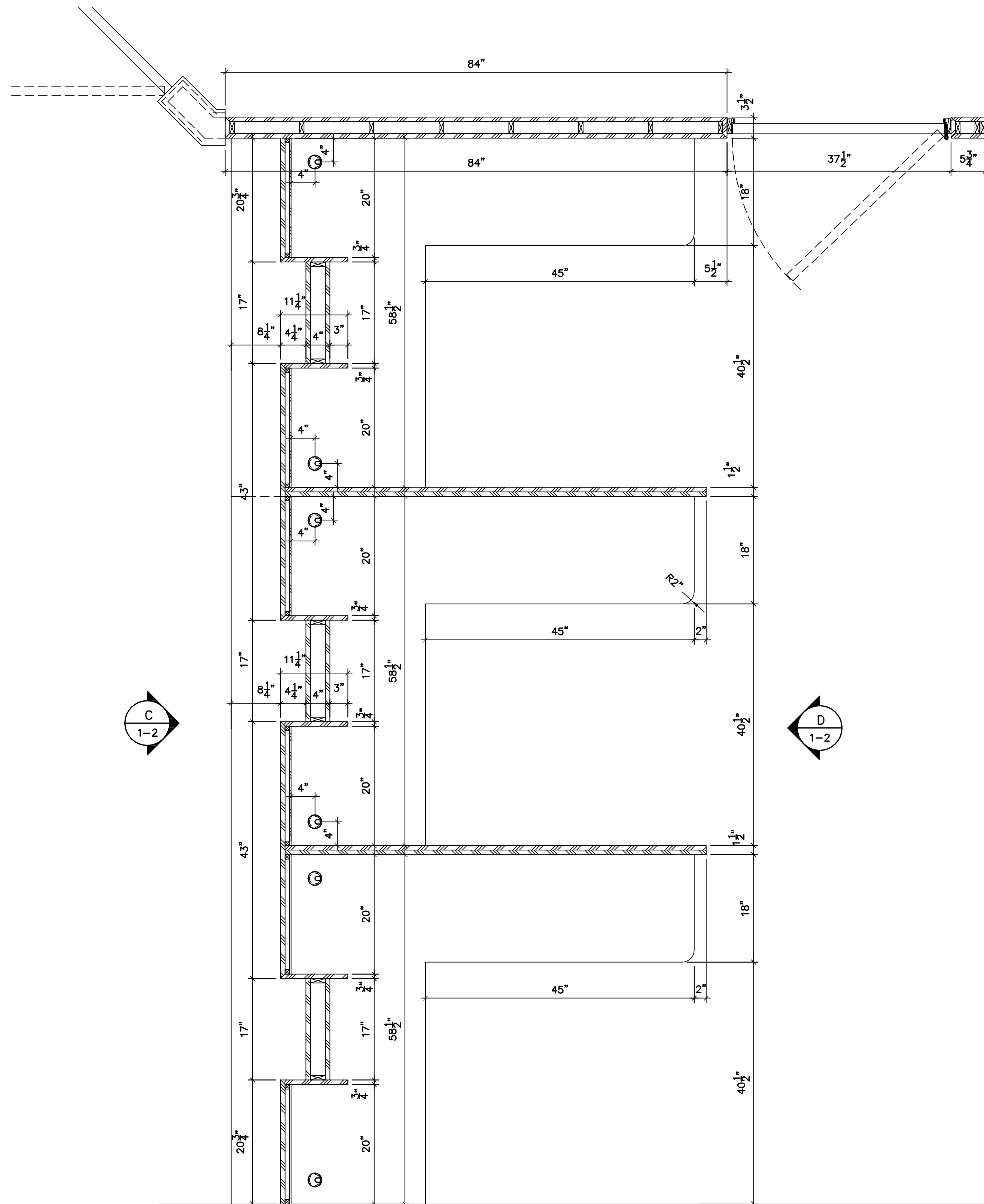
C DETAIL
 1-3 SCALE: 6" = 1'-0"
 ARCH. REF: NONE



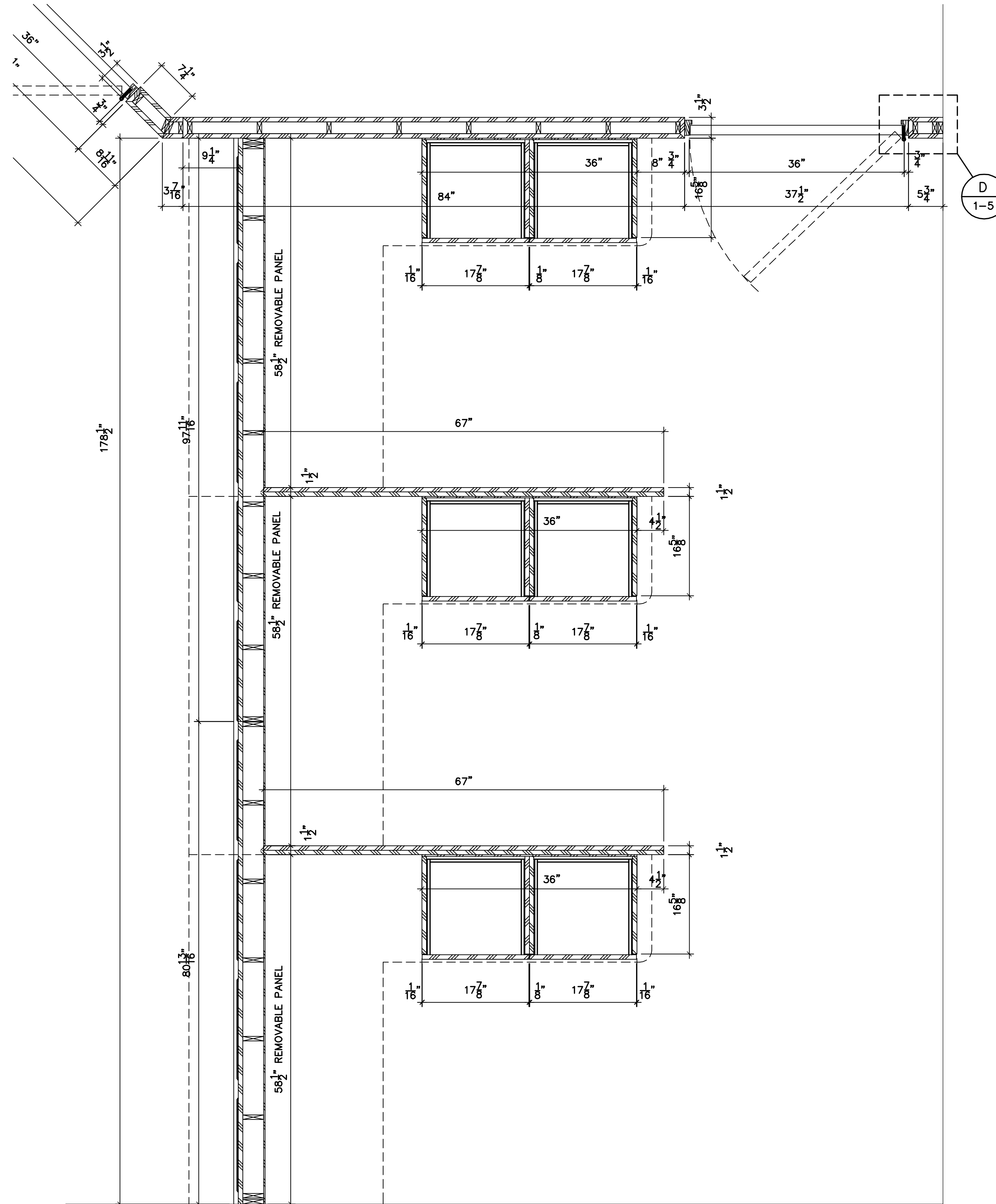
B HORIZONTAL SECTION
 1-3 SCALE: 1" = 1'-0"
 ARCH. REF: NONE

REVISIONS	BY
JOB#	
DRAWN BY:	DATE
TM	02/13/08

Job Name:



A HORIZONTAL SECTION
 1-4 SCALE: 1" = 1'-0"
 ARCH. REF: NONE

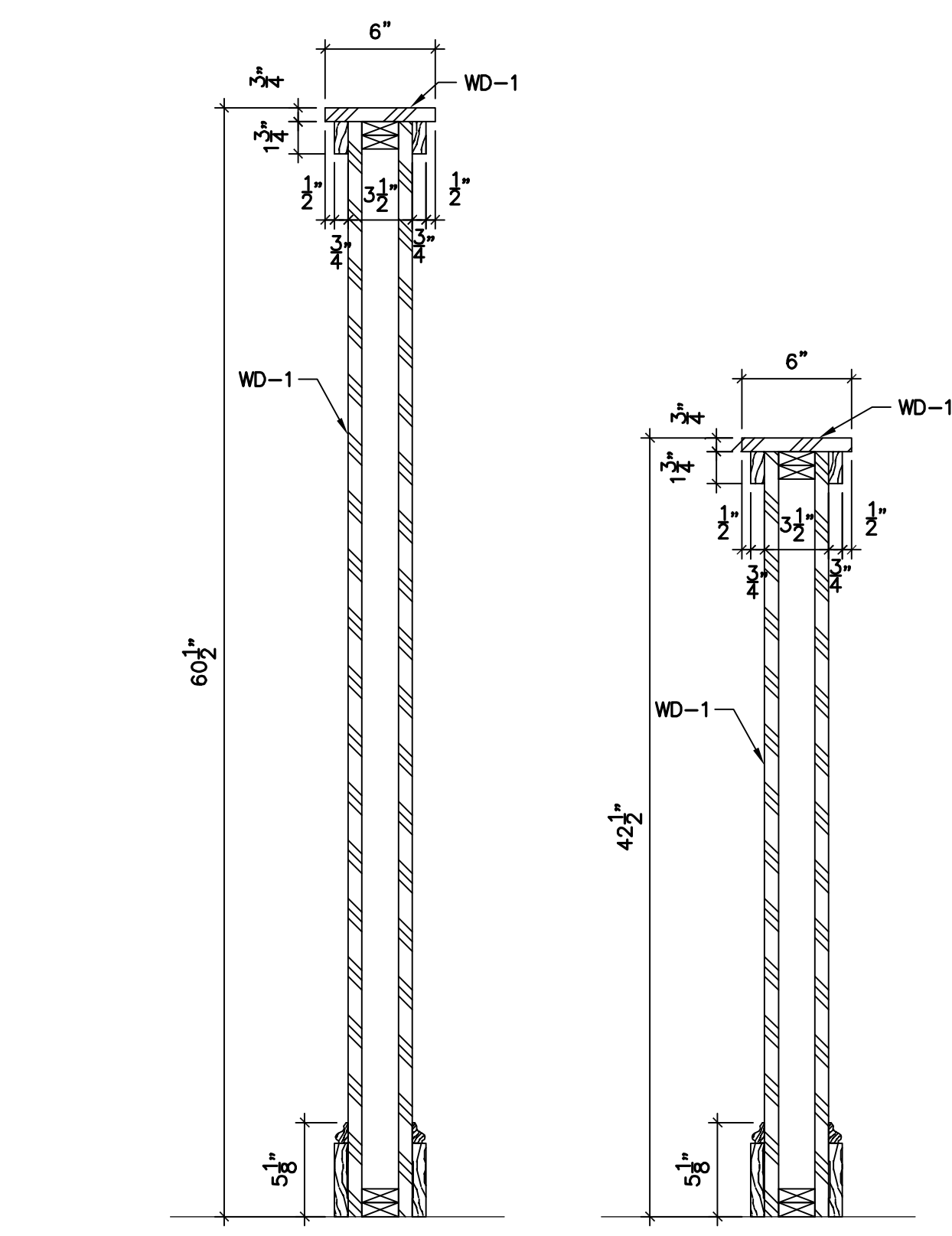


B HORIZONTAL SECTION
 1-4 SCALE: 1" = 1'-0"
 ARCH. REF: NONE

REVISIONS	BY
JOB#	
DRAWN BY:	DATE
TM	02/13/08

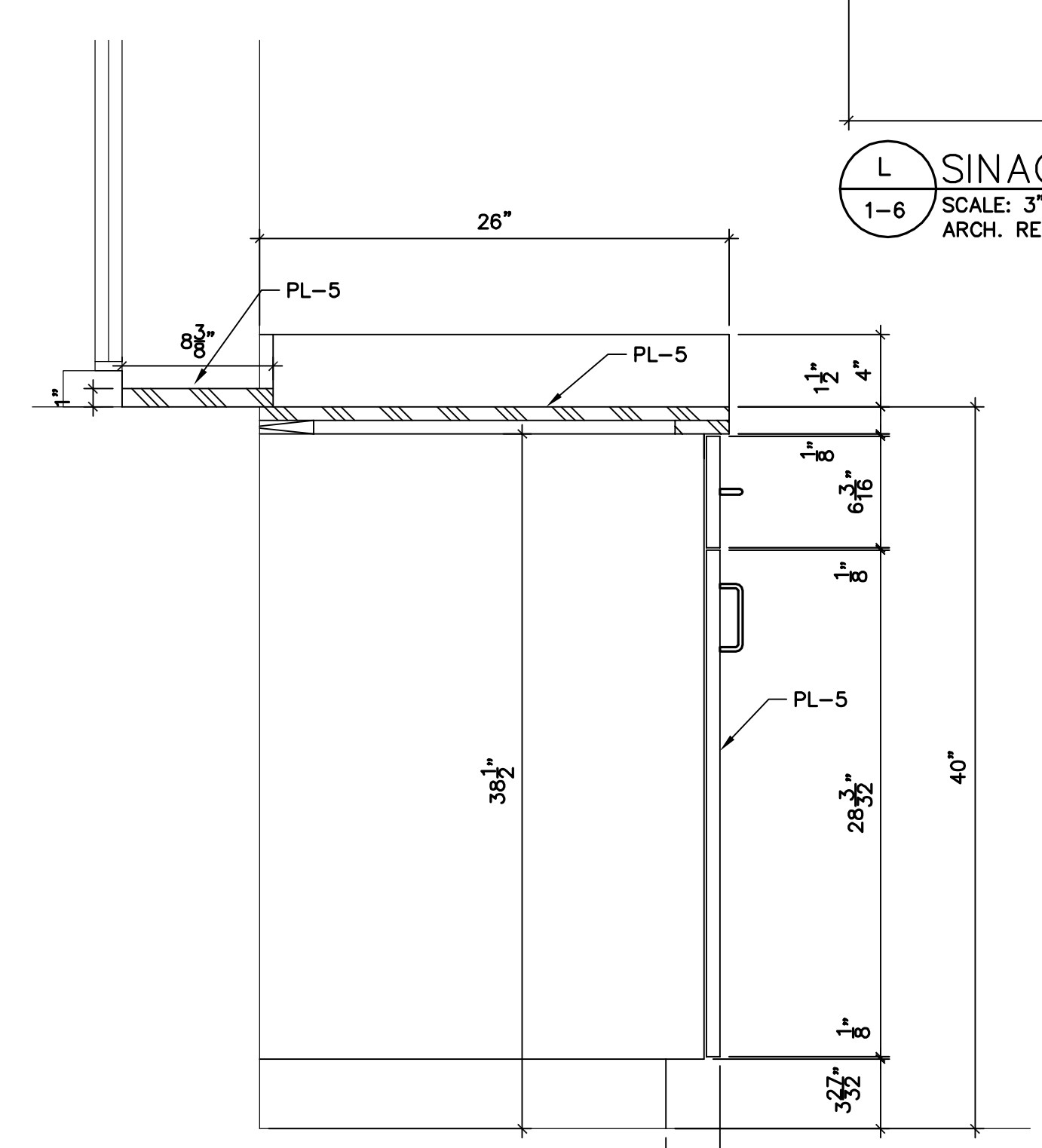
Job Name:

PAGE:
1-4

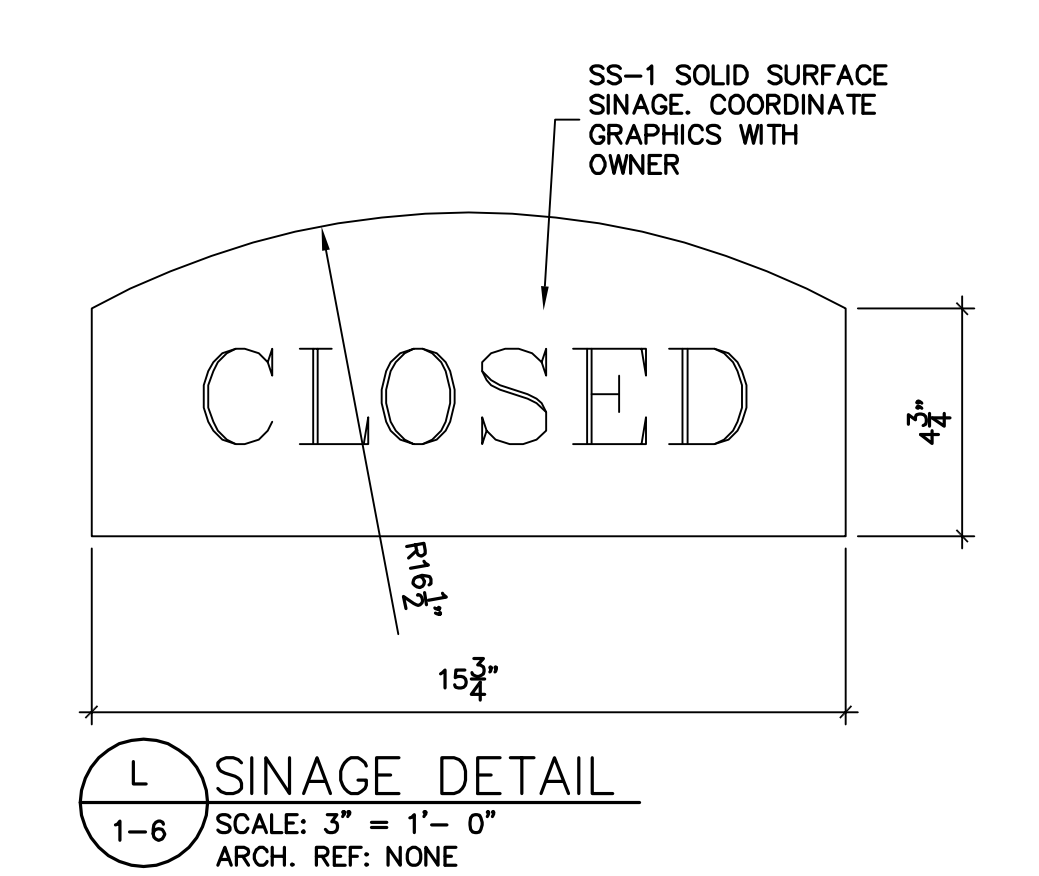


E VERTICAL SECTION
1-6 SCALE: 1-1/2" = 1'-0"
ARCH. REF: NONE

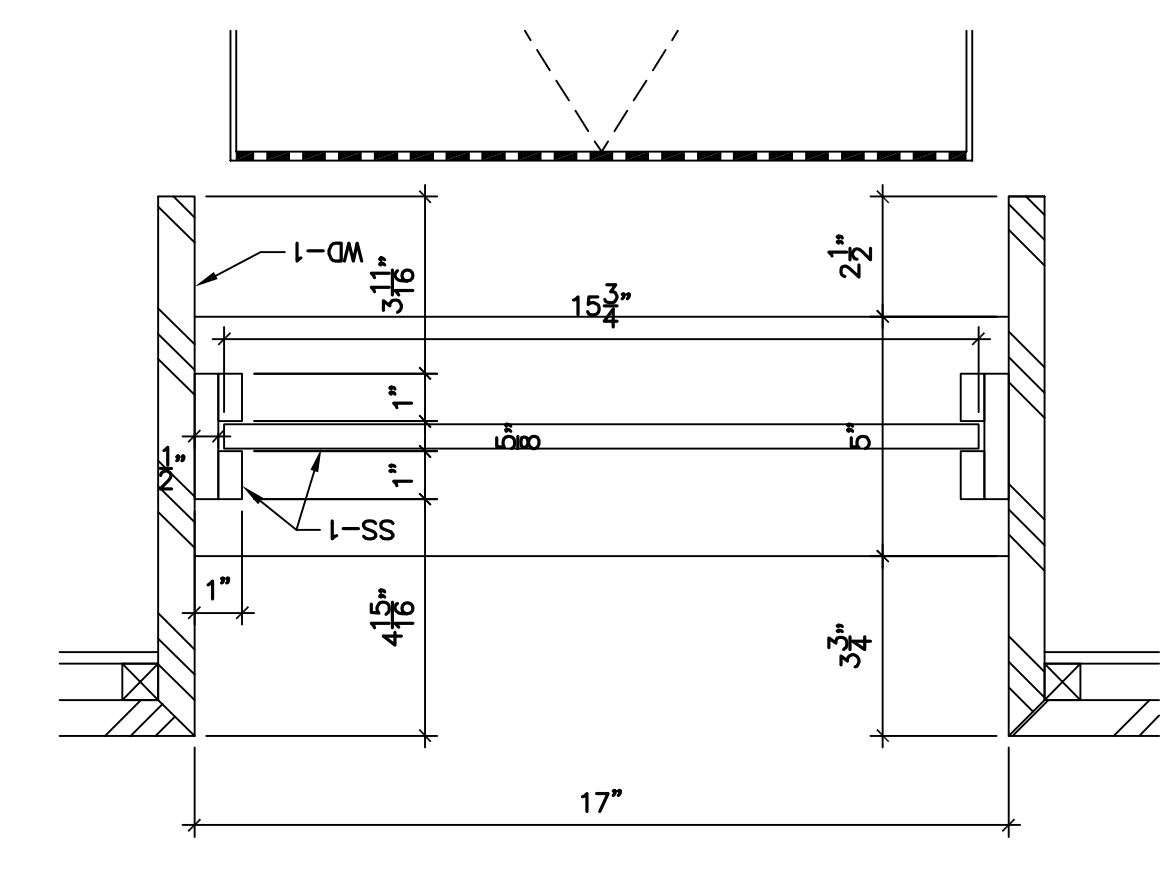
F VERTICAL SECTION
1-6 SCALE: 1-1/2" = 1'-0"
ARCH. REF: NONE



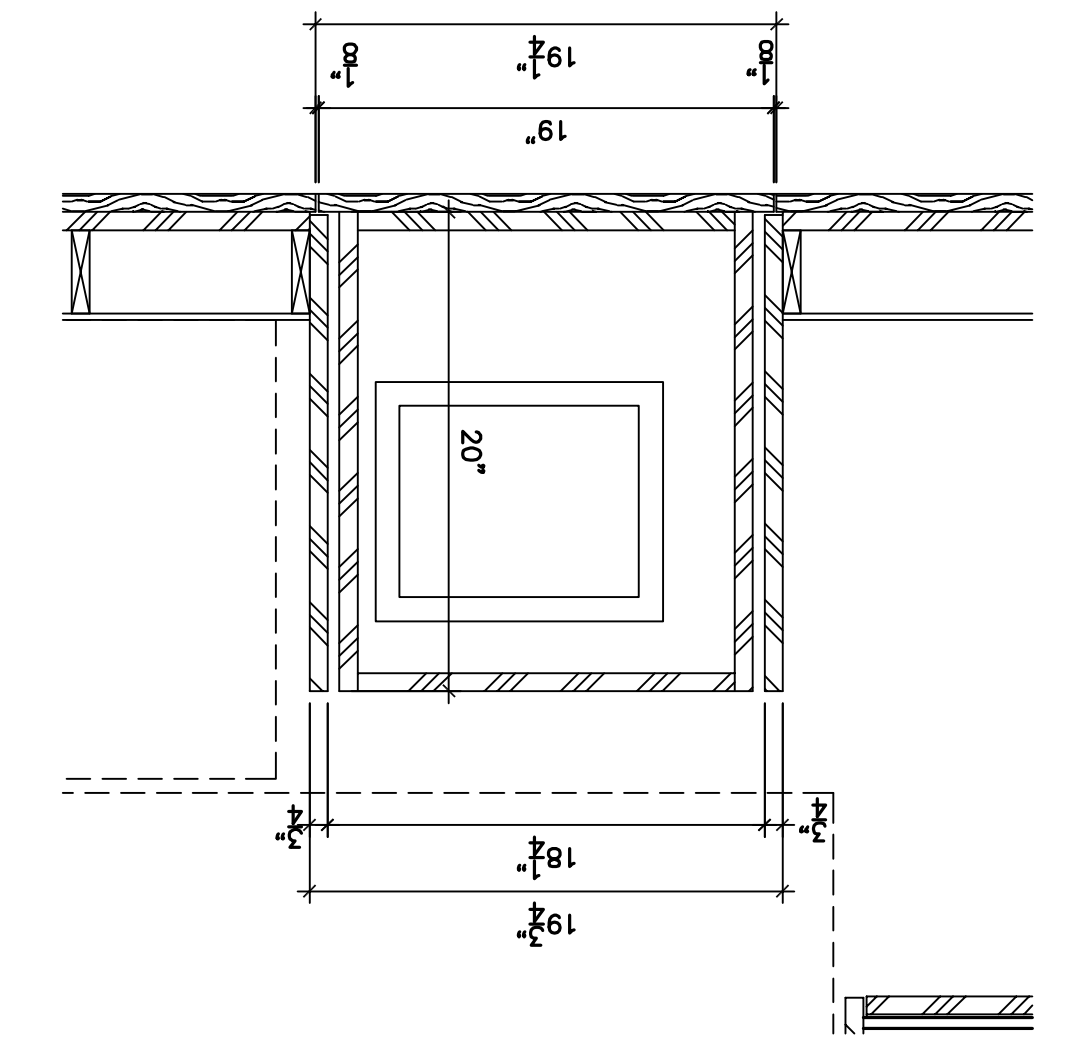
G VERTICAL SECTION
1-6 SCALE: 1-1/2" = 1'-0"
ARCH. REF: NONE



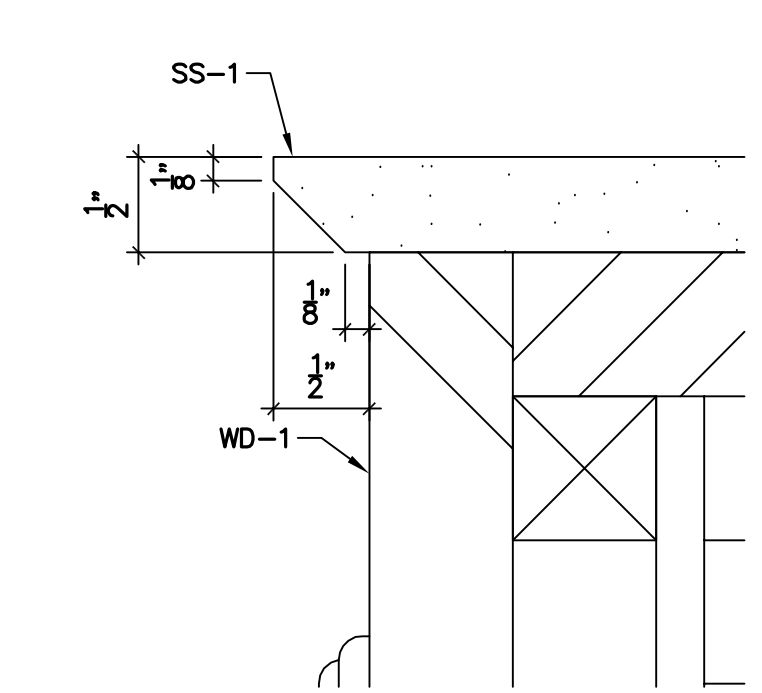
L SINAGE DETAIL
1-6 SCALE: 3" = 1'-0"
ARCH. REF: NONE



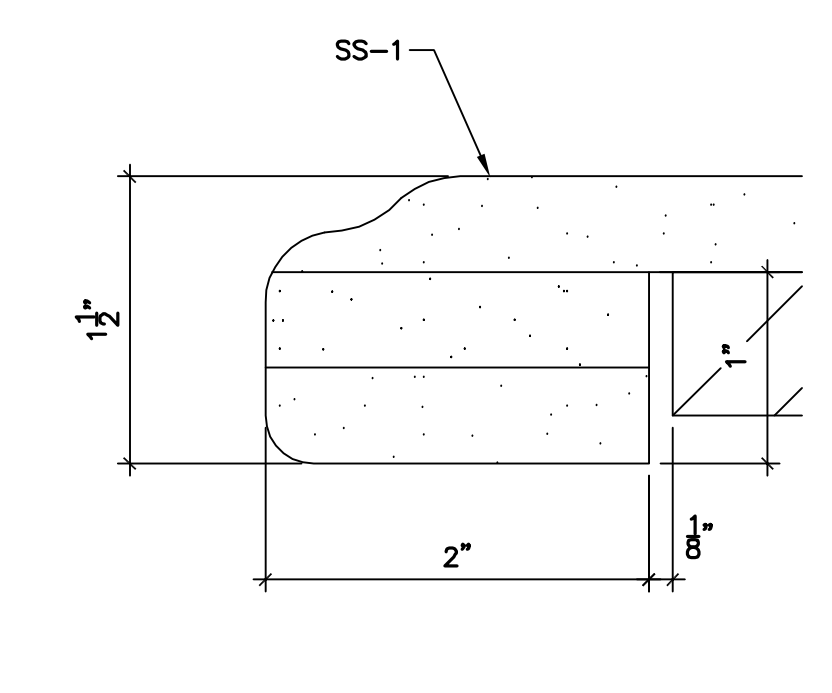
M HORIZONTAL SECTION
1-6 SCALE: 3" = 1'-0"
ARCH. REF: NONE



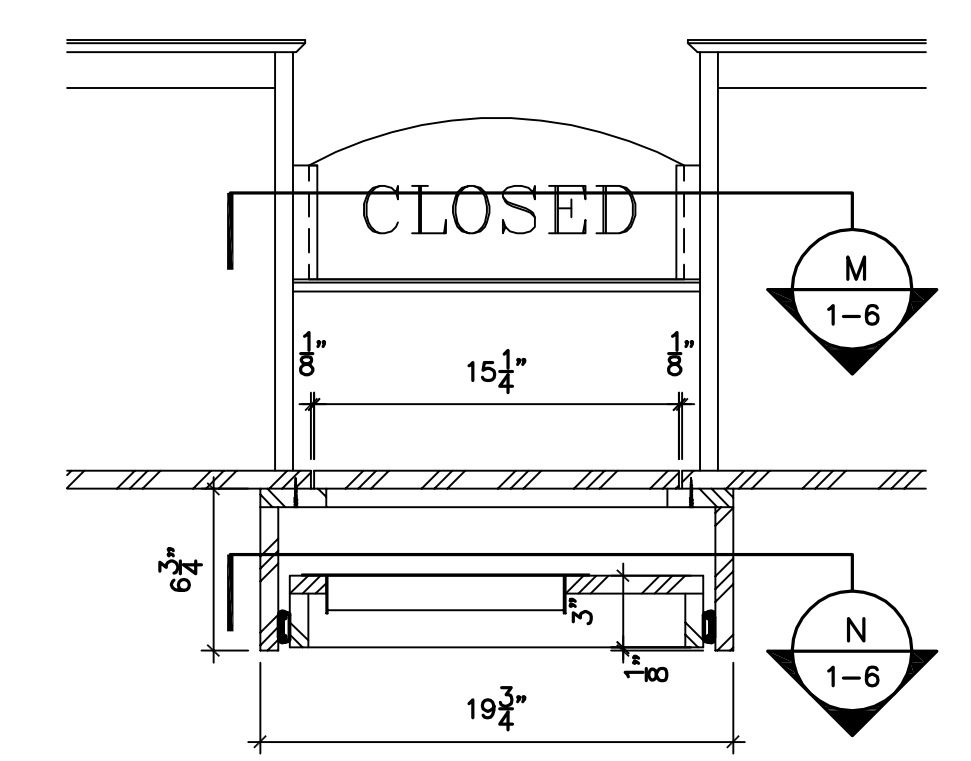
N HORIZONTAL SECTION
1-6 SCALE: 1-1/2" = 1'-0"
ARCH. REF: NONE



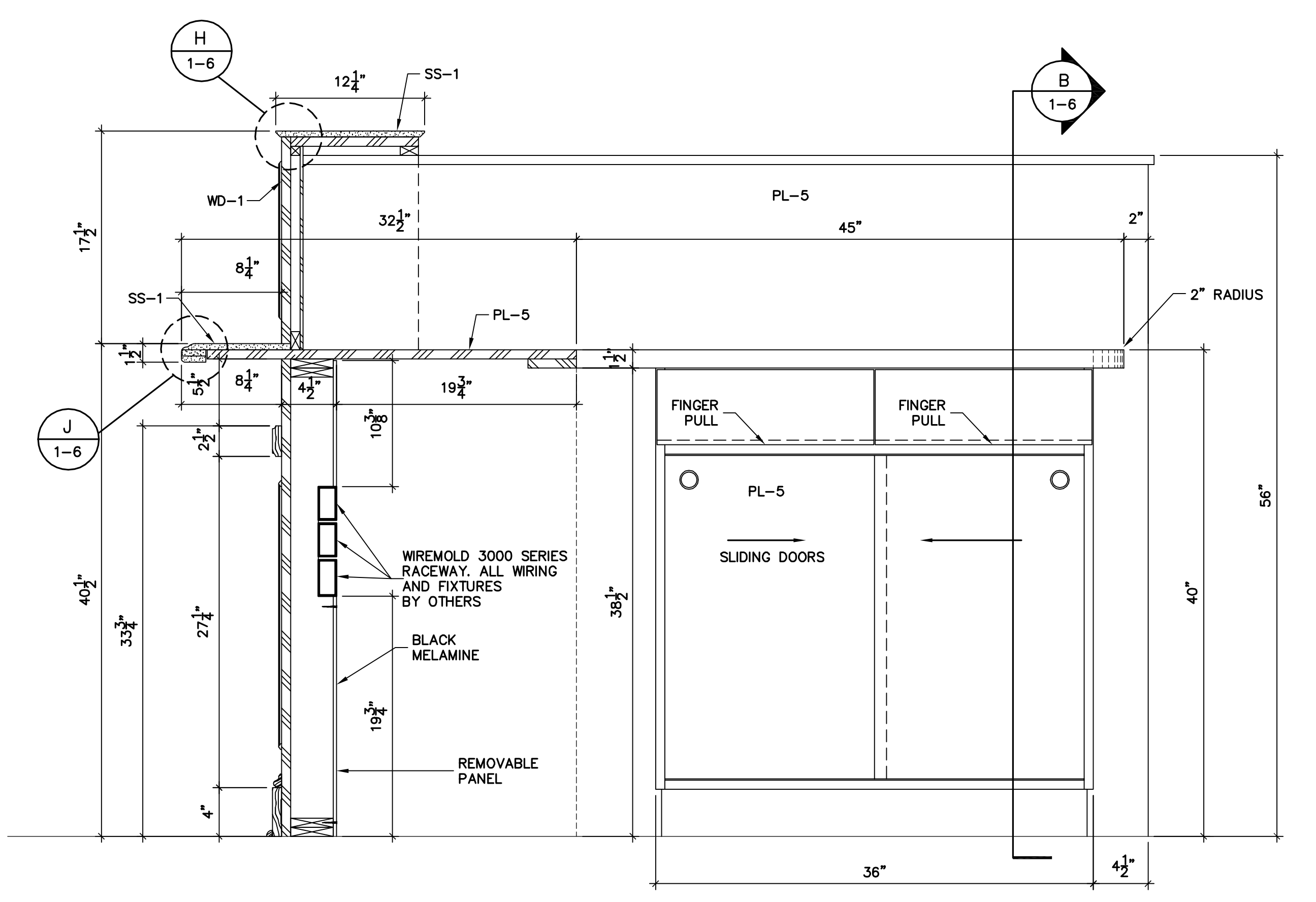
H TOP EDGE DETAIL
1-6 SCALE: FULL
ARCH. REF: NONE



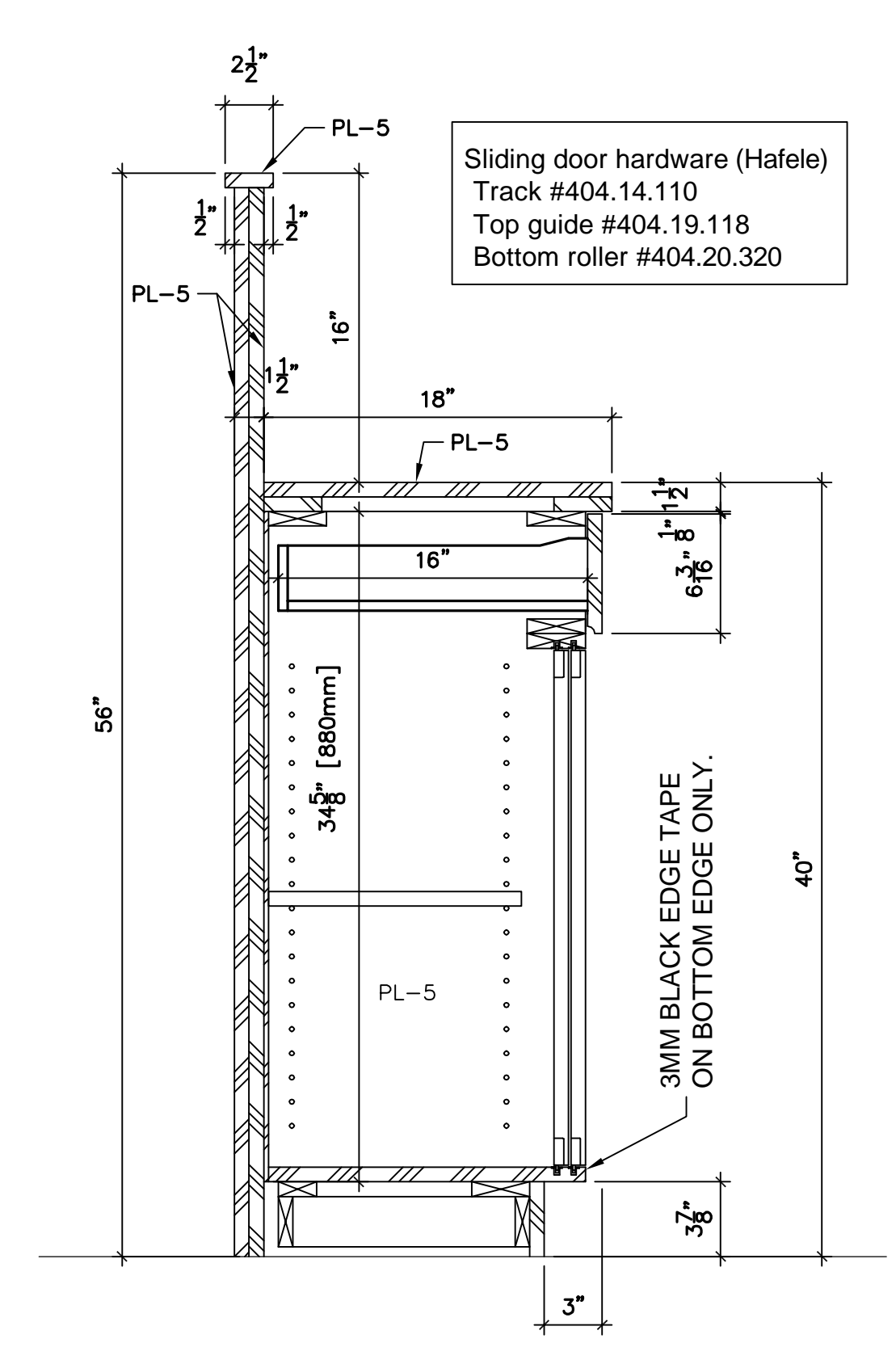
J TOP EDGE DETAIL
1-6 SCALE: FULL
ARCH. REF: NONE



K VERTICAL SECTION
1-6 SCALE: 1-1/2" = 1'-0"
ARCH. REF: NONE

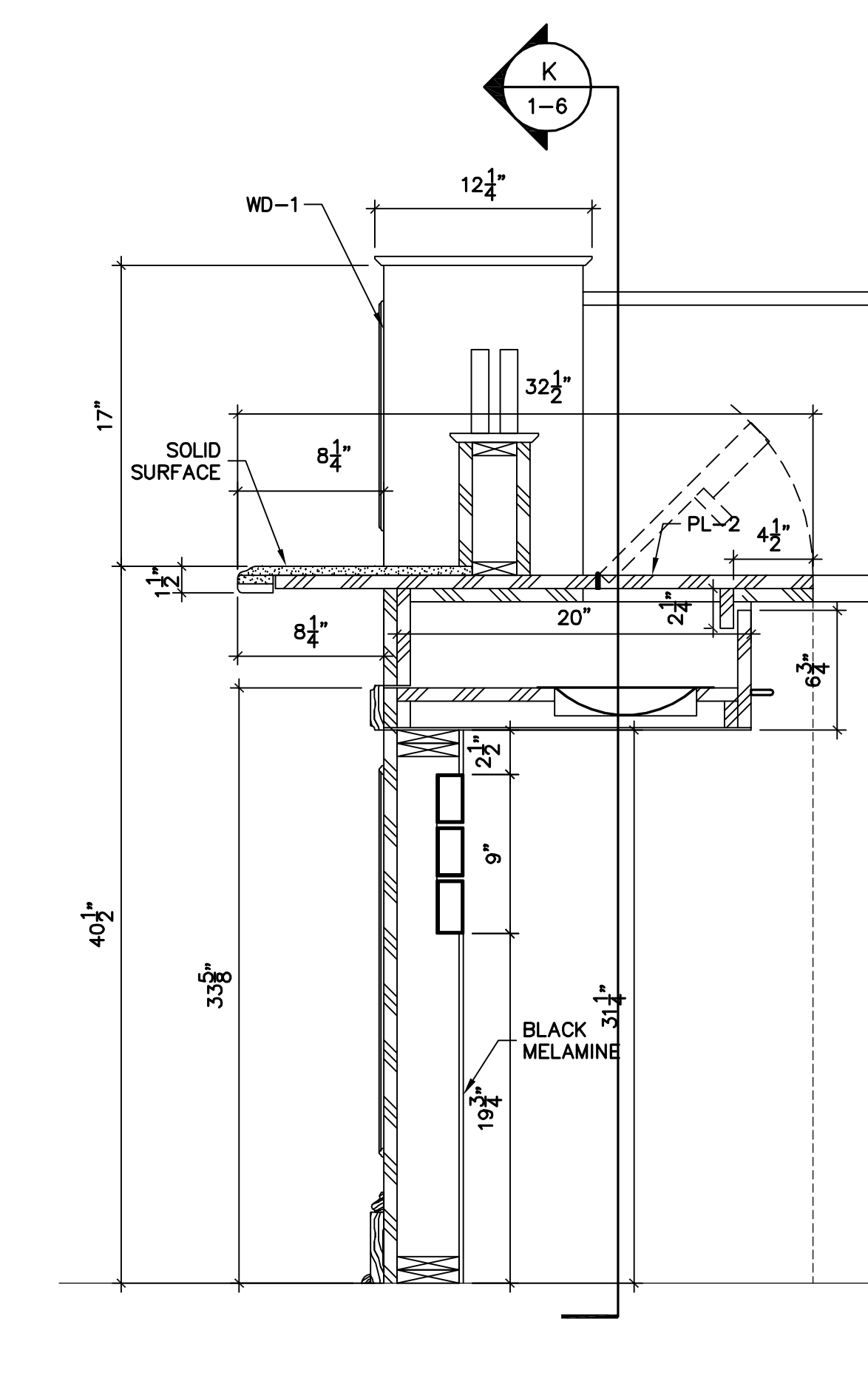


A VERTICAL SECTION
1-6 SCALE: 1-1/2" = 1'-0"
ARCH. REF: 1/A-501

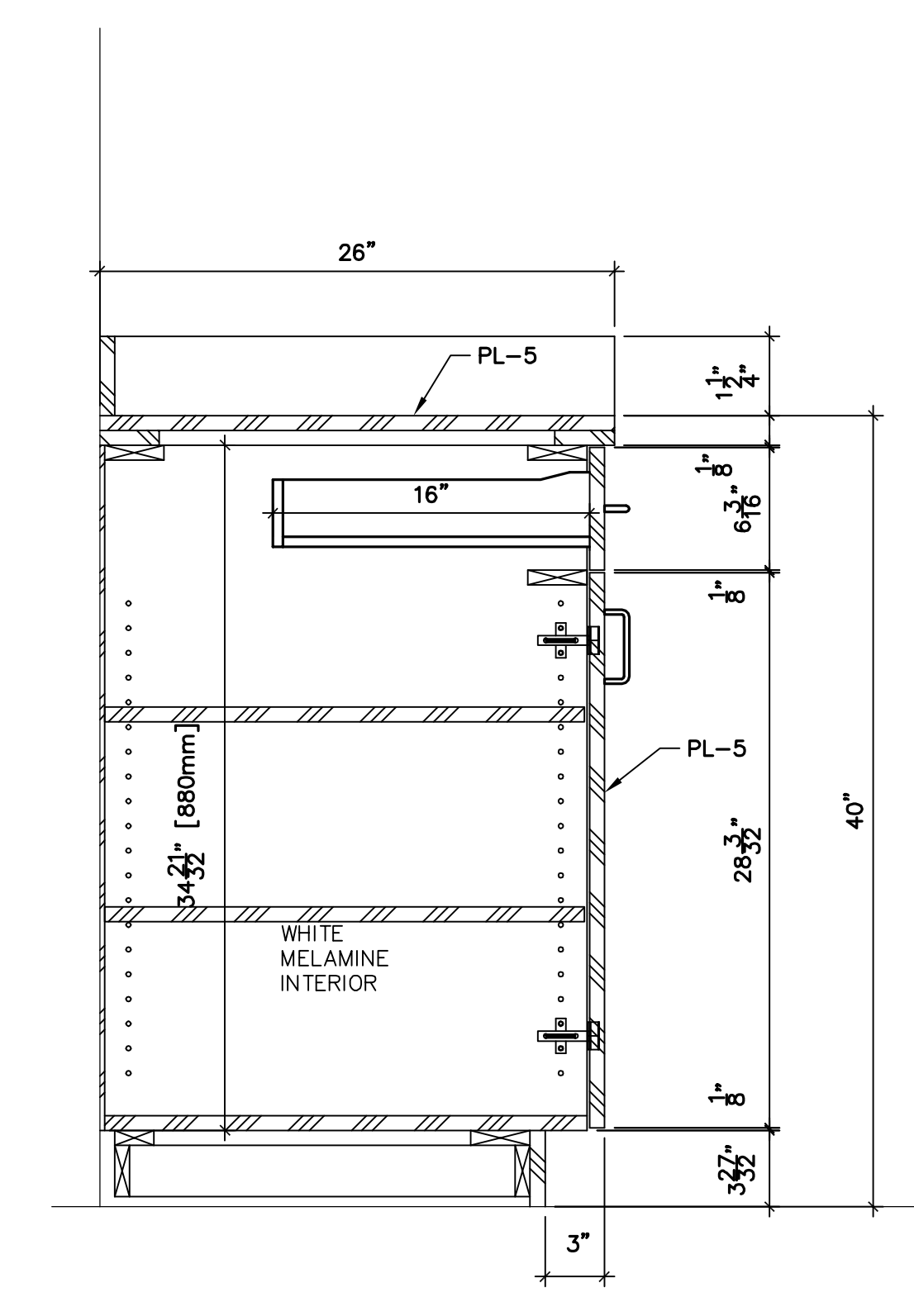


B VERTICAL SECTION
1-6 SCALE: 1-1/2" = 1'-0"
ARCH. REF: NONE

Sliding door hardware (Hafele)
Track #404.14.110
Top guide #404.19.118
Bottom roller #404.20.320



C VERTICAL SECTION
1-6 SCALE: 1-1/2" = 1'-0"
ARCH. REF: NONE

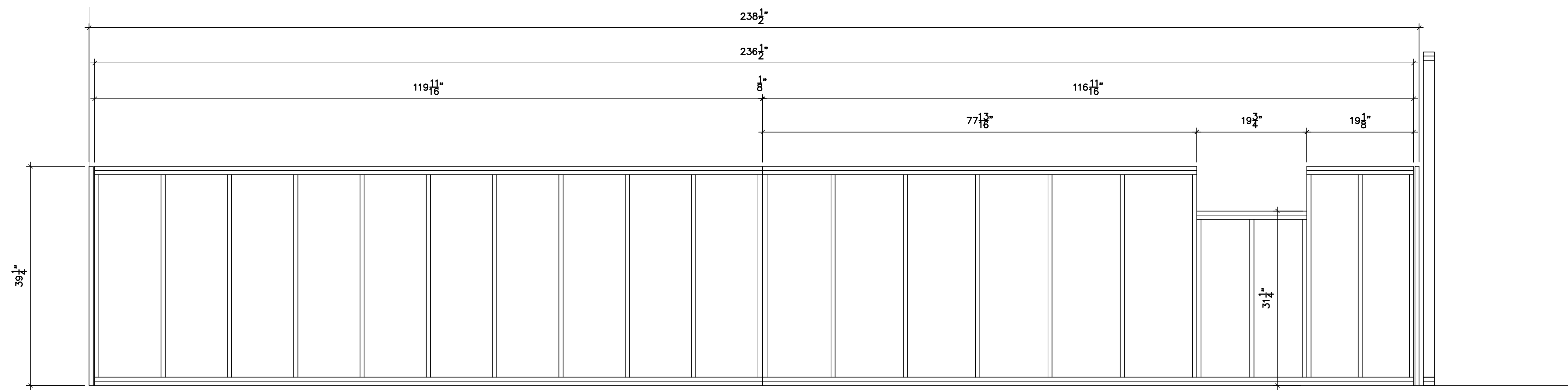


D VERTICAL SECTION
1-6 SCALE: 1-1/2" = 1'-0"
ARCH. REF: 1/A-501

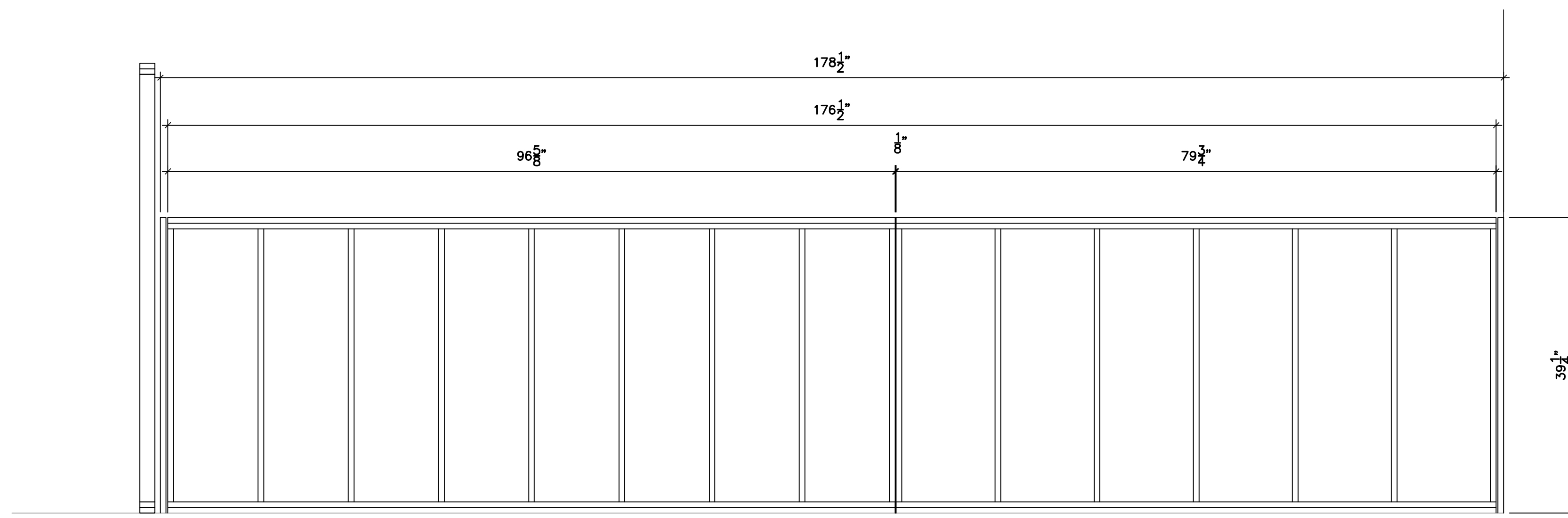
REVISIONS	BY
JOB#	
DRAWN BY:	DATE
TM	02/13/08

Job Name:

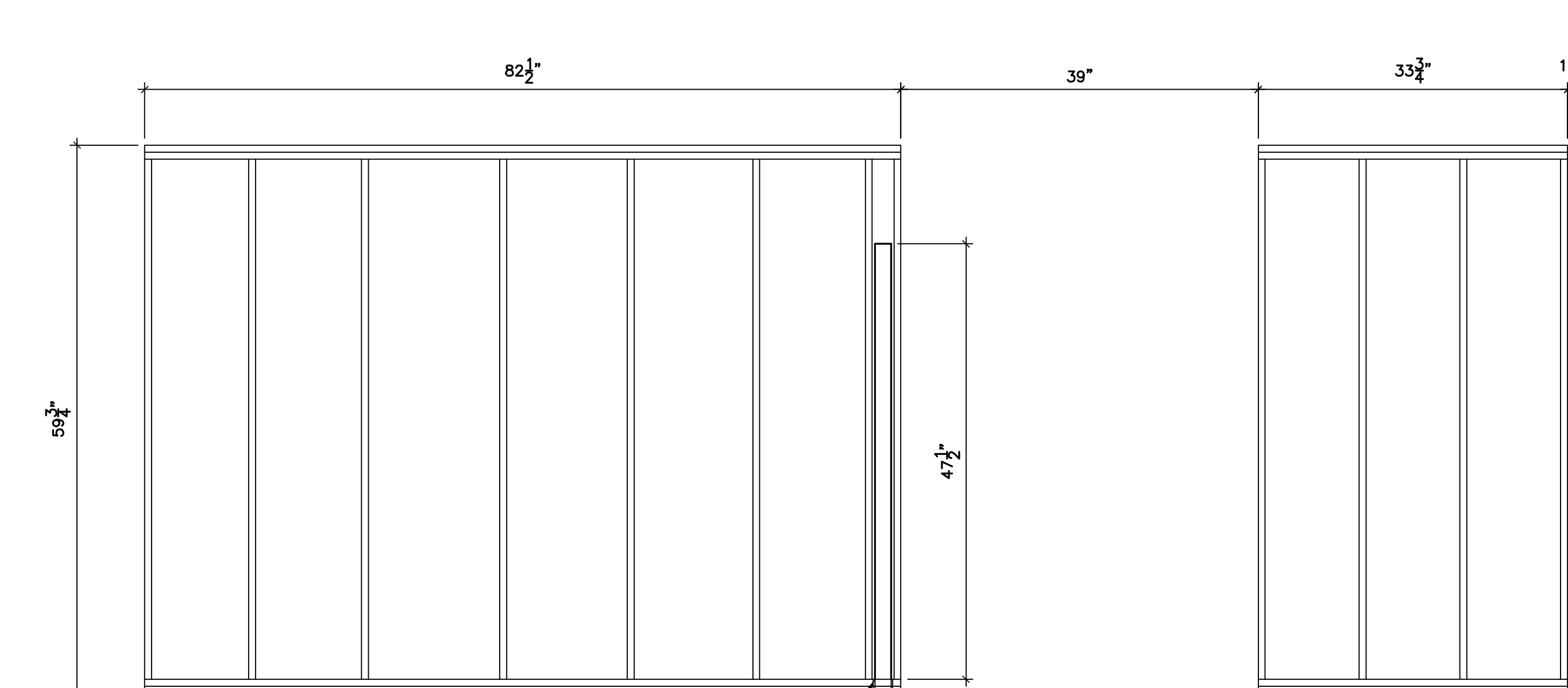
PAGE:
1-6



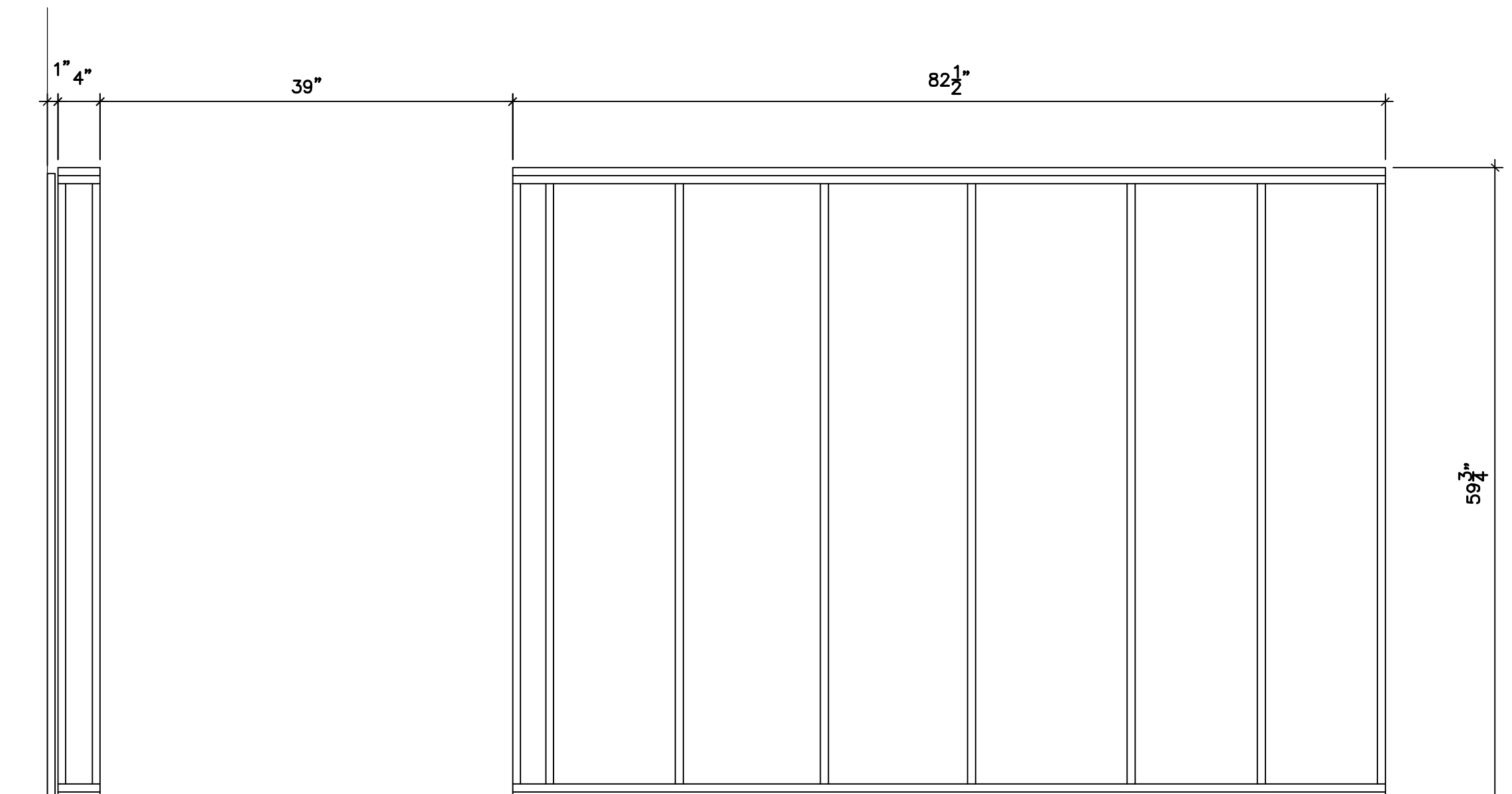
A TELLER LINE FRAMING
 1-7 SCALE: 1" = 1' = 0"
 ARCH. REF: NONE



B TELLER LINE FRAMING
 1-7 SCALE: 1" = 1' = 0"
 ARCH. REF: NONE



C TELLER LINE PARTITION FRAMING
 1-7 SCALE: 1" = 1' = 0"
 ARCH. REF: NONE



D TELLER LINE PARTITION FRAMING
 1-7 SCALE: 1" = 1' = 0"
 ARCH. REF: NONE

REVISIONS	BY
JOB#	
DRAWN BY:	DATE
TM	02/13/08

Job Name:

PAGE:
1-7