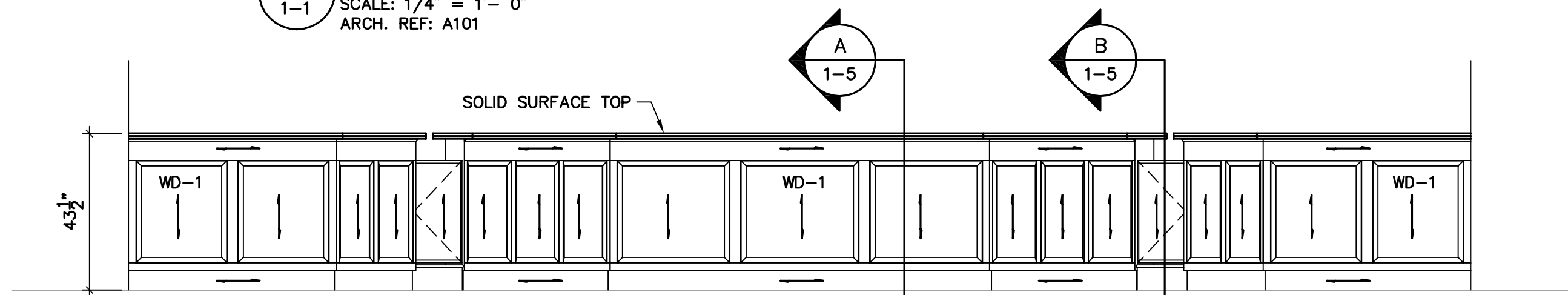


A PLAN VIEW OF COURTROOM DESK
 1-1 SCALE: 1/4" = 1'- 0"
 ARCH. REF: A101



B ELEVATION OF COURTROOM DESK
 1-1 SCALE: 1/4" = 1'- 0"
 ARCH. REF: 4/A702

FINISHES:	
PL-1:	PIONITE #AV791 "SLATE ELEMENT", SUEDE
WD-1:	CHERRY VENEER OR SOLID STAINED TO MATCH APPROVED SAMPLE
SOLID SURFACE:	CORIAN "BRONZE PATINA" (E)
GATE HARDWARE:	
SPRING PIVOT HINGE: BOMMER #7312 BALL BEARING	

REVISIONS	BY
JOB#	
DRAWN BY:	DATE
TM	09/06/2005

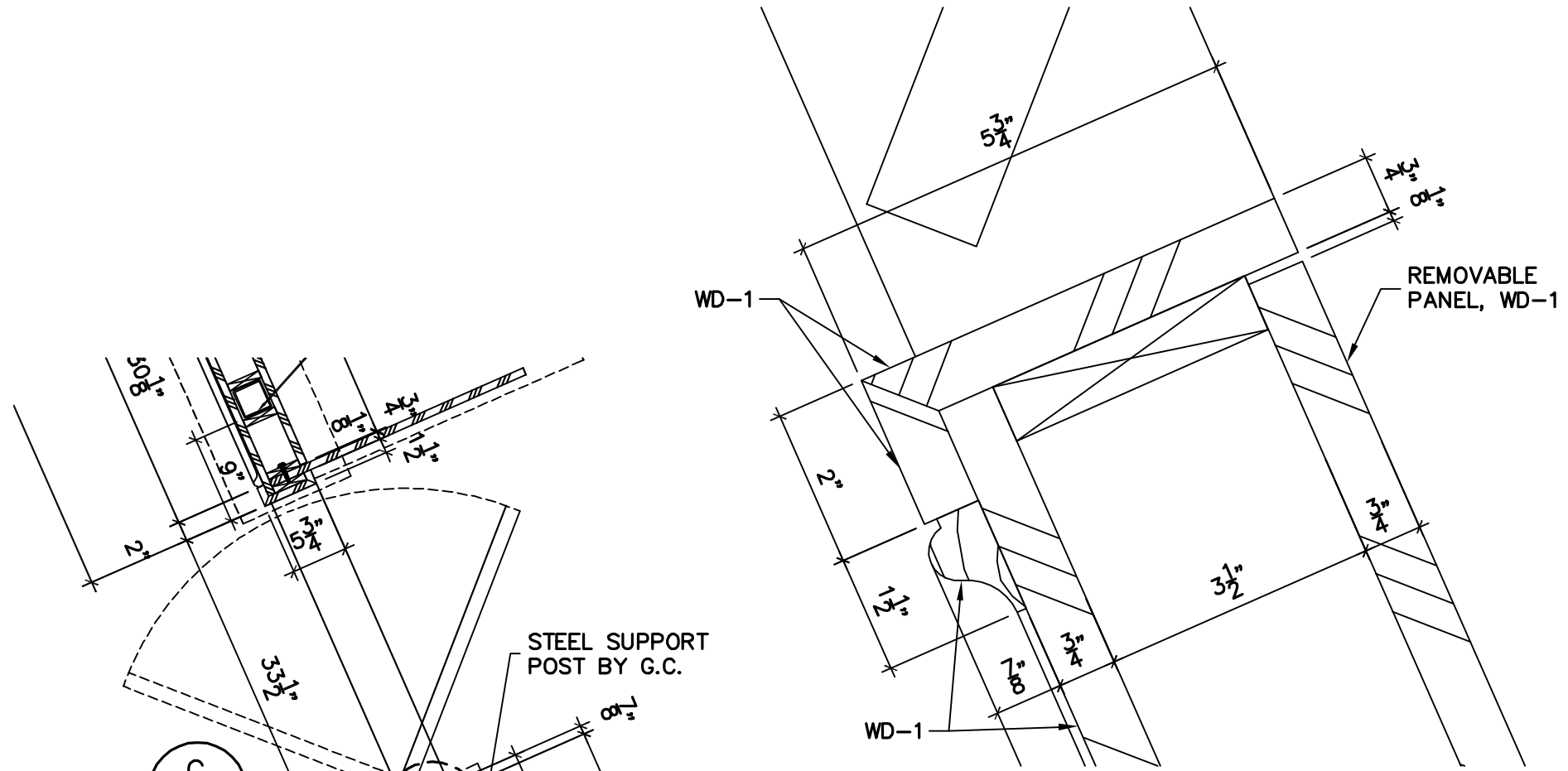
Job Name:

Contractor:

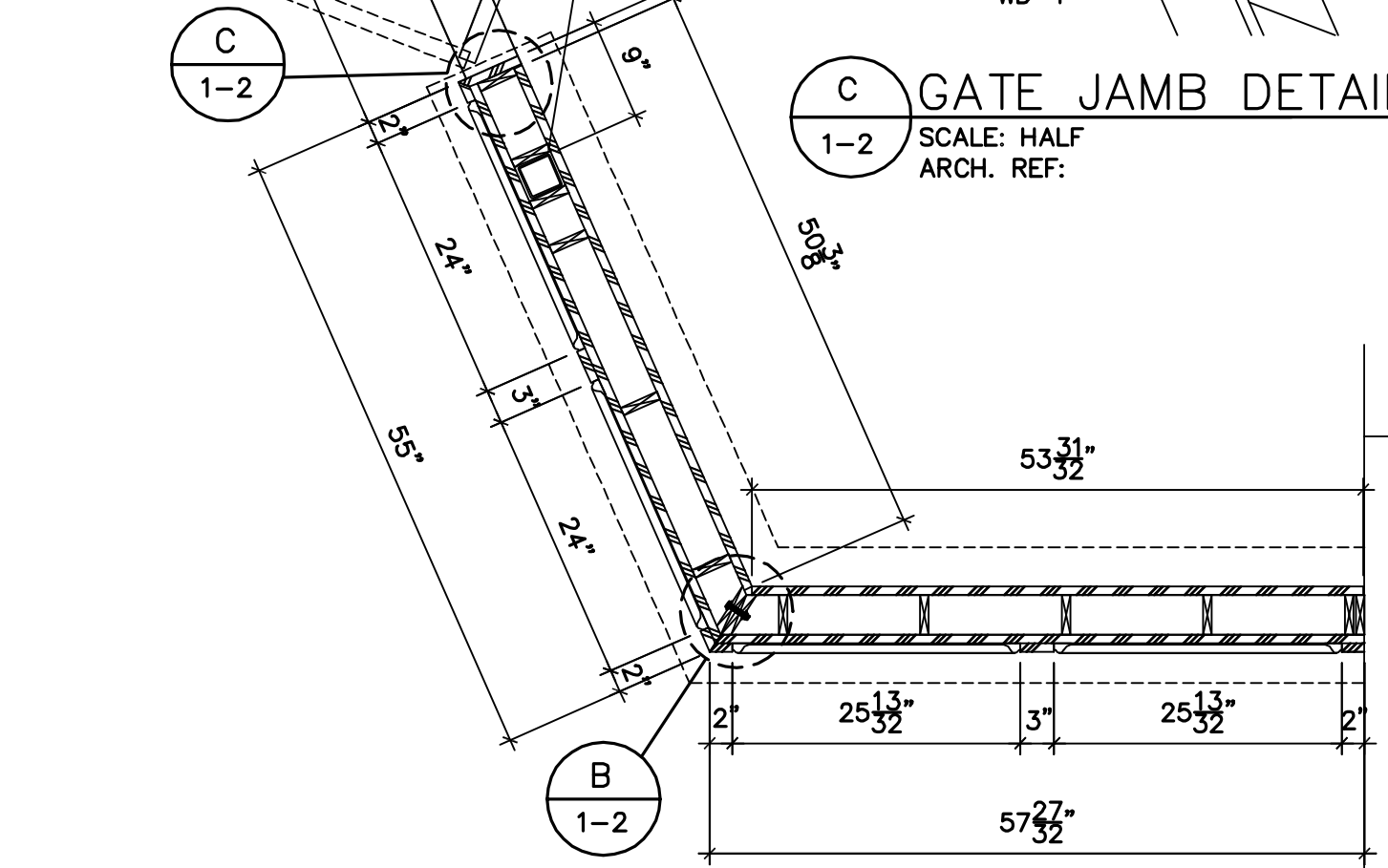
Architect:

Location:

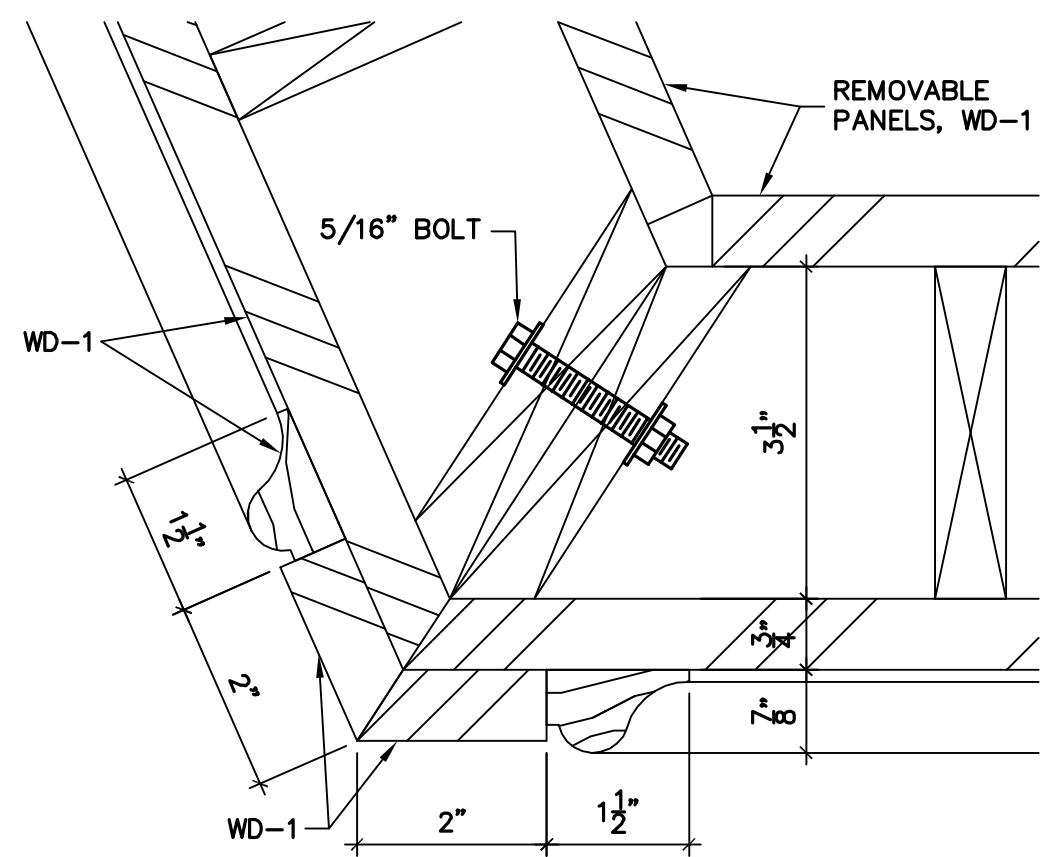
REVISIONS	BY
JOB#	
DRAWN BY:	DATE
TM	09/09/2005



C
1-2
GATE JAMB DETAIL
SCALE: HALF
ARCH. REF:



A
1-2
HORIZONTAL SECTION
SCALE: 3/4" = 1'-0"
ARCH. REF:



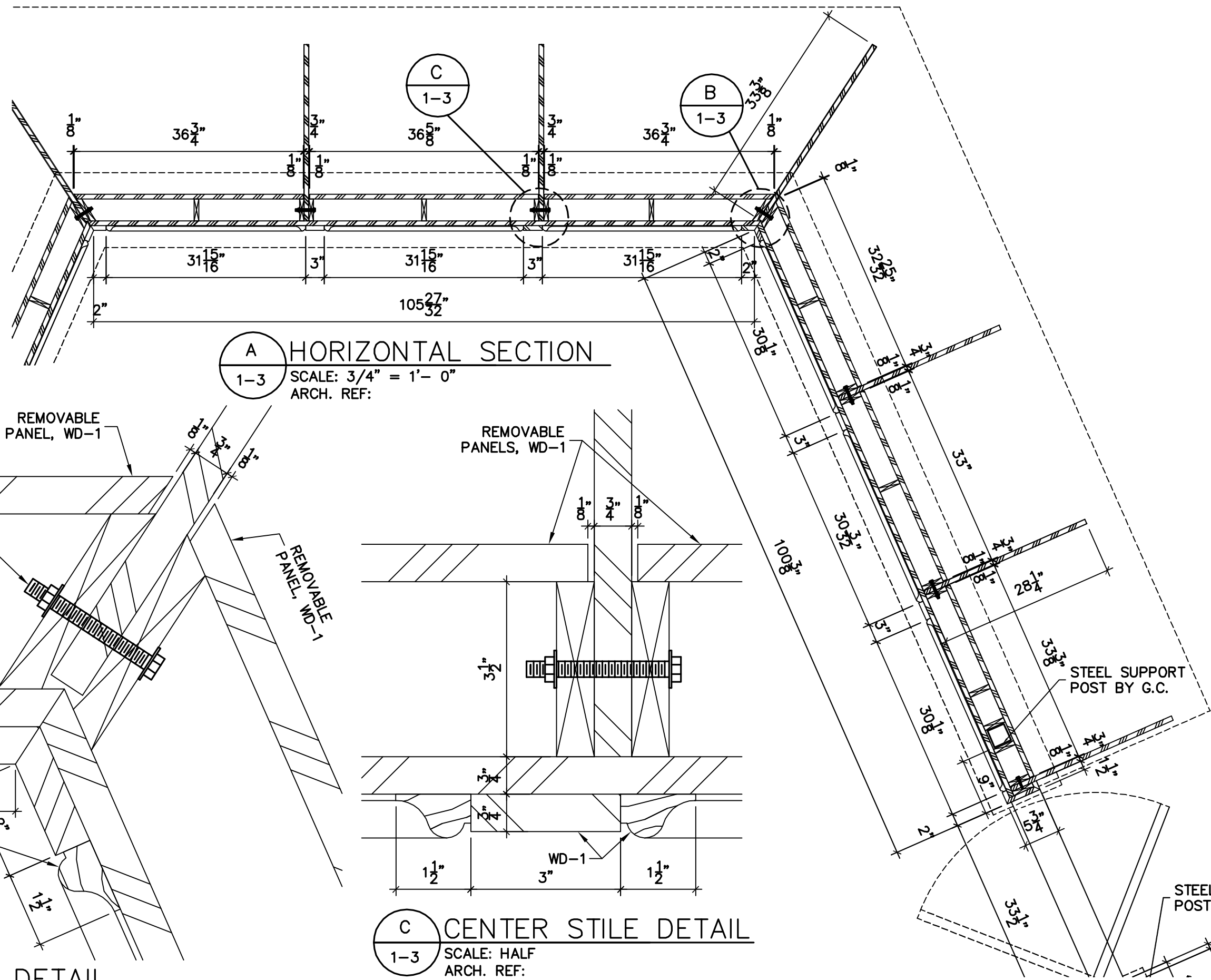
B
1-2
CORNER DETAIL
SCALE: HALF
ARCH. REF:

Job Name:

Contractor:

Architect:

Location:



A HORIZONTAL SECTION
 1-3 SCALE: 3/4" = 1'-0"
 ARCH. REF:

B CORNER DETAIL
 1-3 SCALE: HALF
 ARCH. REF:

C CENTER STILE DETAIL
 1-3 SCALE: HALF
 ARCH. REF:

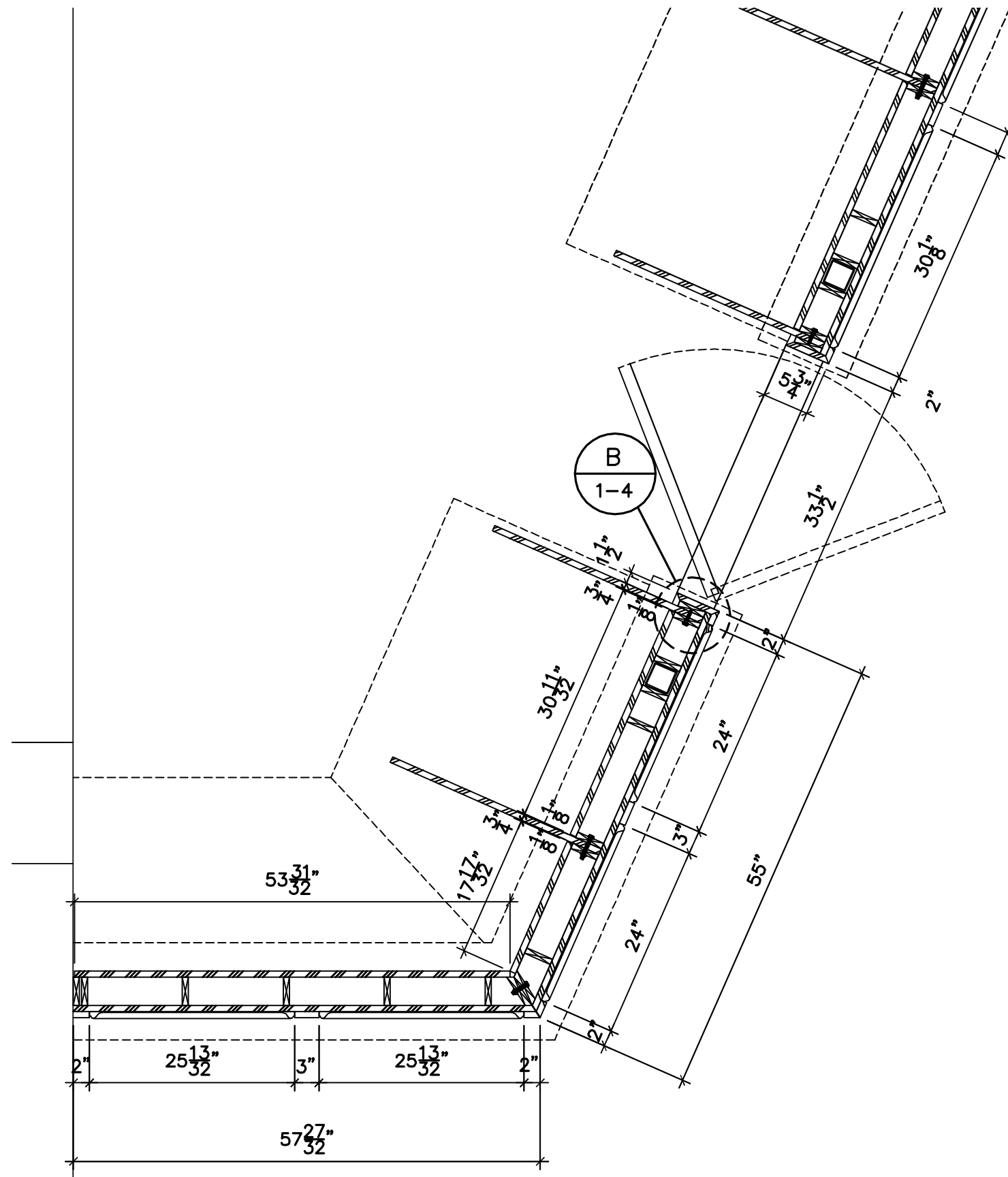
REVISIONS	BY
JOB#	
DRAWN BY:	DATE
TM	09/09/2005

Job Name:

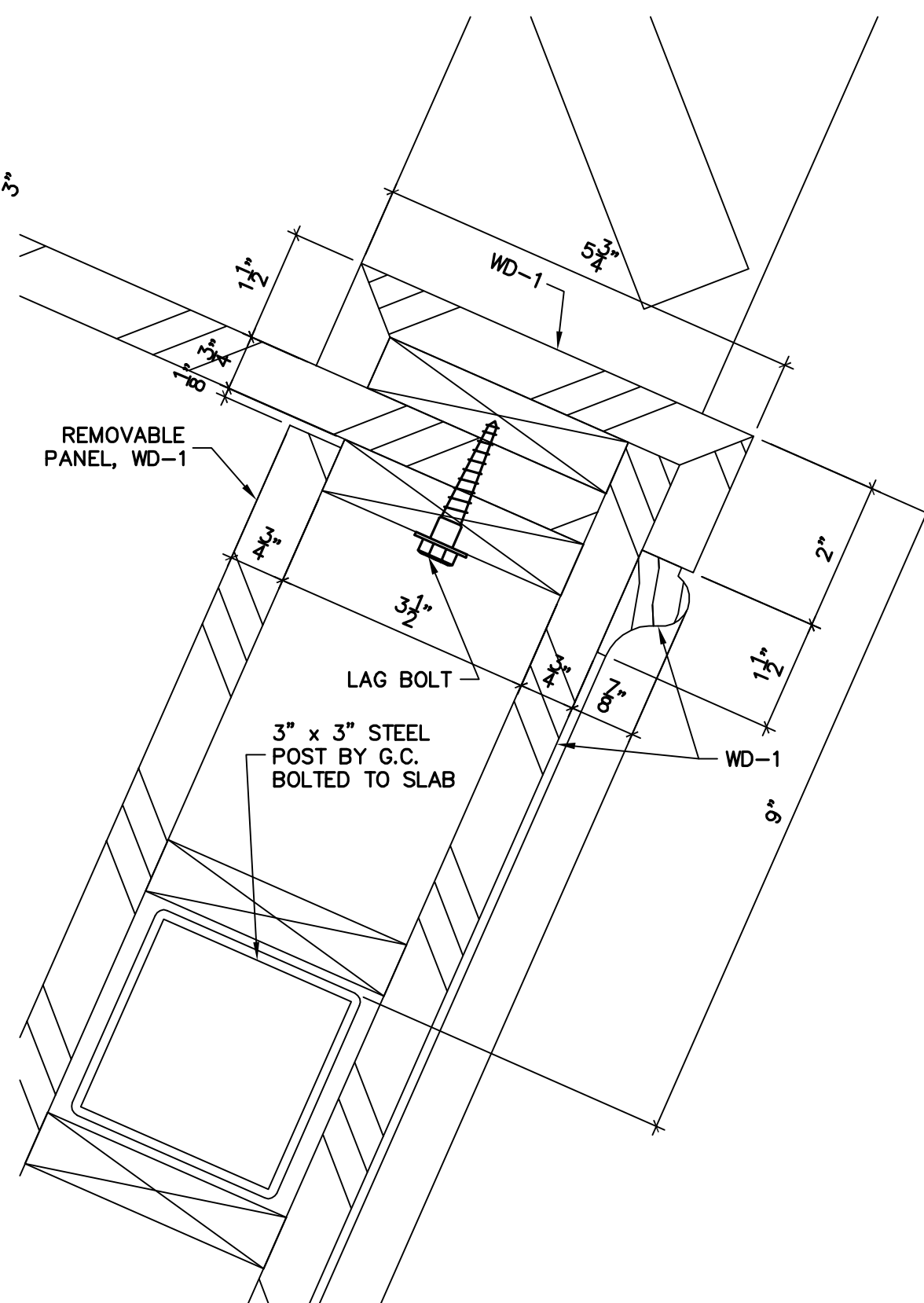
Contractor:

Architect:

Location:



A HORIZONTAL SECTION
 1-4 SCALE: 3/4" = 1'- 0"
 ARCH. REF:



B GATE JAMB DETAIL
 1-4 SCALE: HALF
 ARCH. REF:

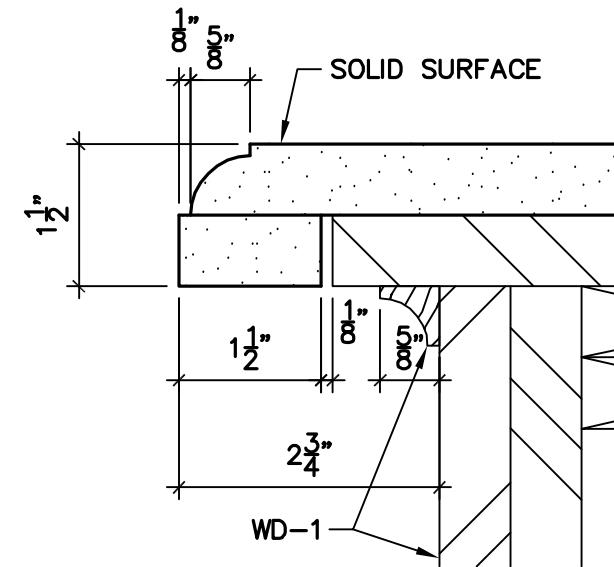
REVISIONS	BY
JOB#	
DRAWN BY:	DATE
TM	09/09/2005

Job Name:

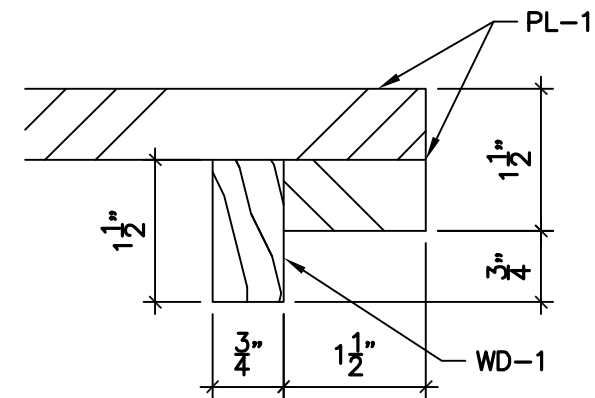
Contractor:

Architect:

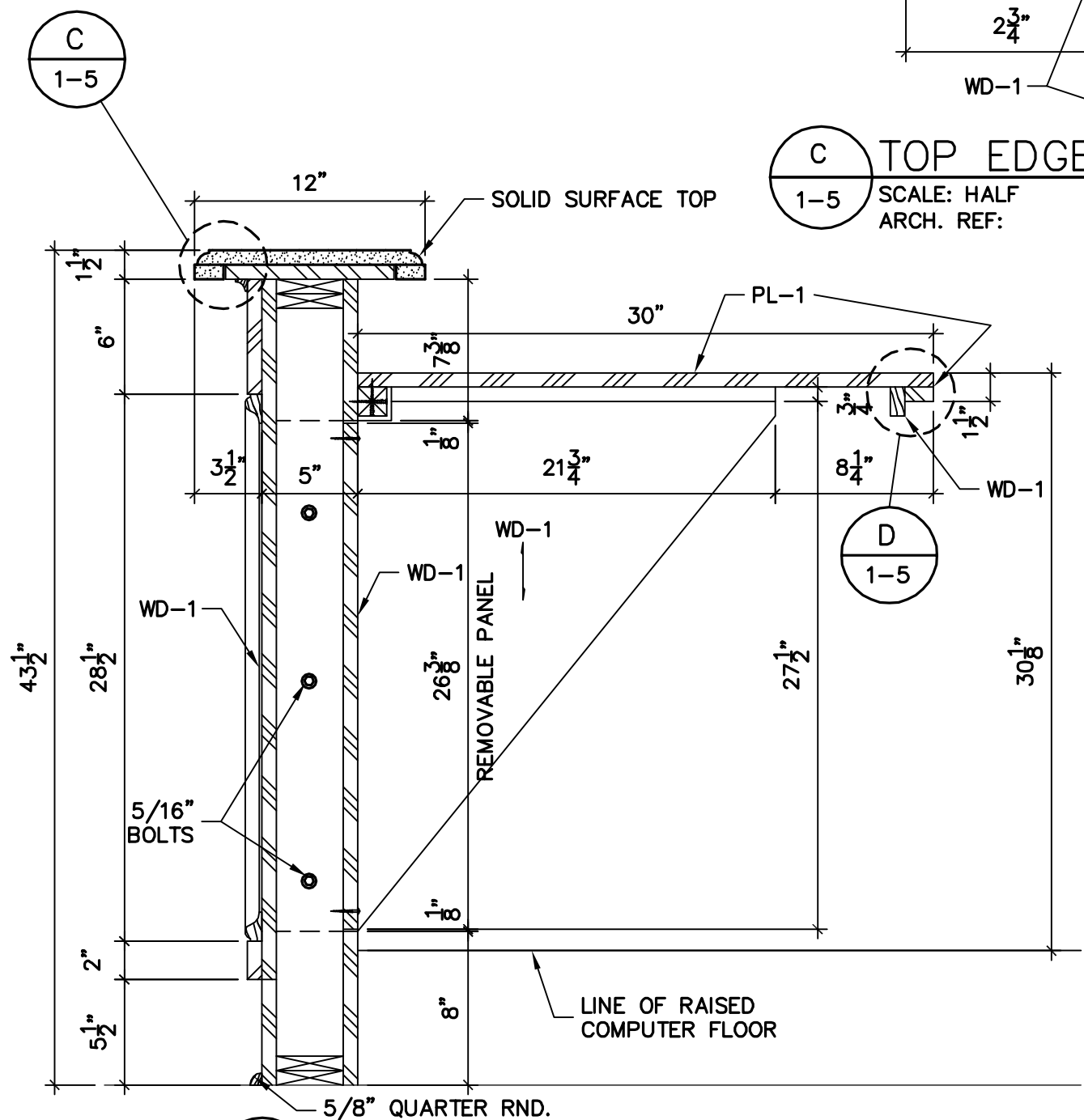
Location:



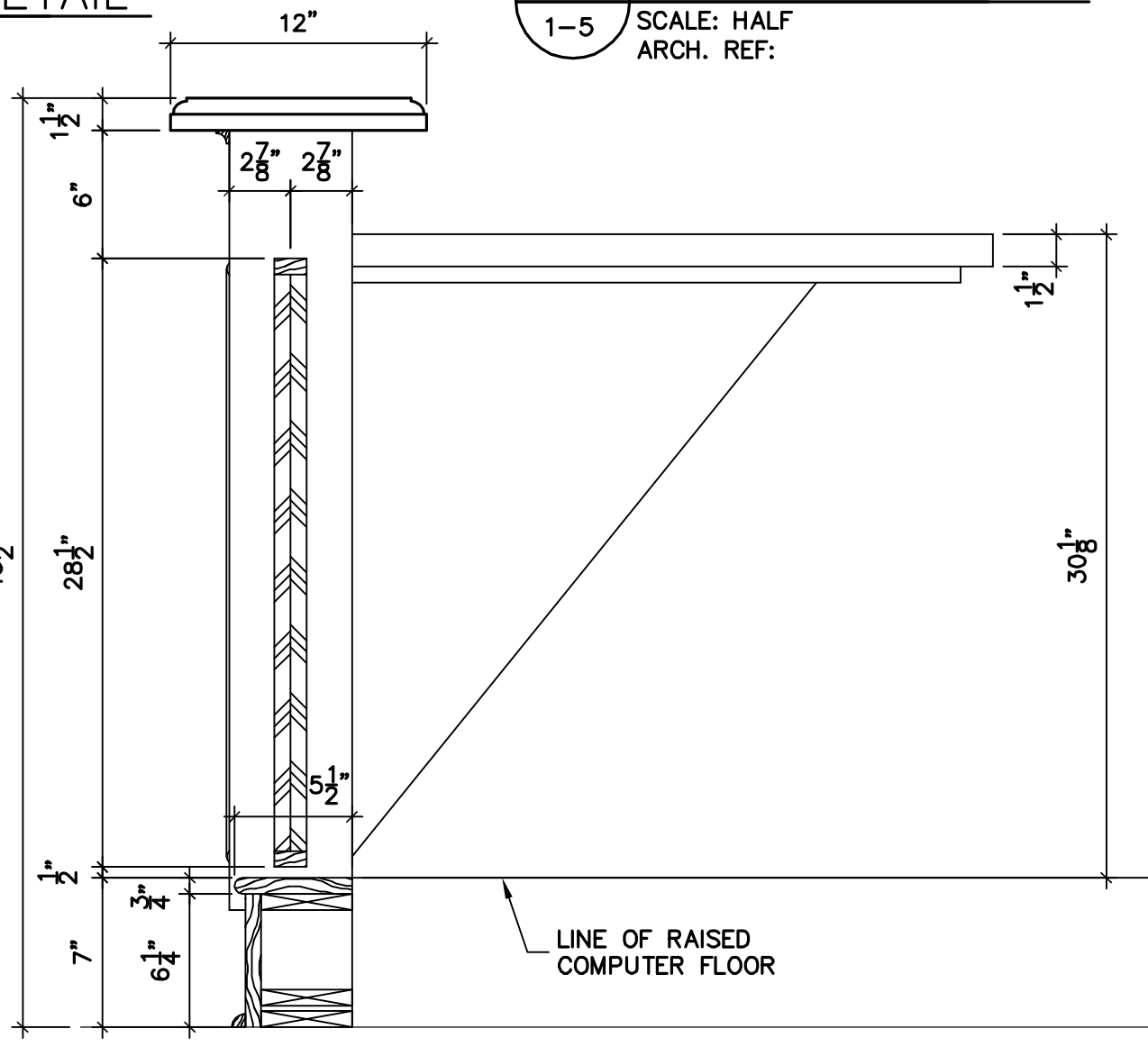
C TOP EDGE DETAIL
 1-5 SCALE: HALF ARCH. REF:



D PLAM TOP EDGE
 1-5 SCALE: HALF ARCH. REF:



A VERTICAL SECTION
 1-5 SCALE: 1-1/2" = 1'-0" ARCH. REF: 5/A702



B VERTICAL SECTION
 1-5 SCALE: 1-1/2" = 1'-0" ARCH. REF: 6/A702

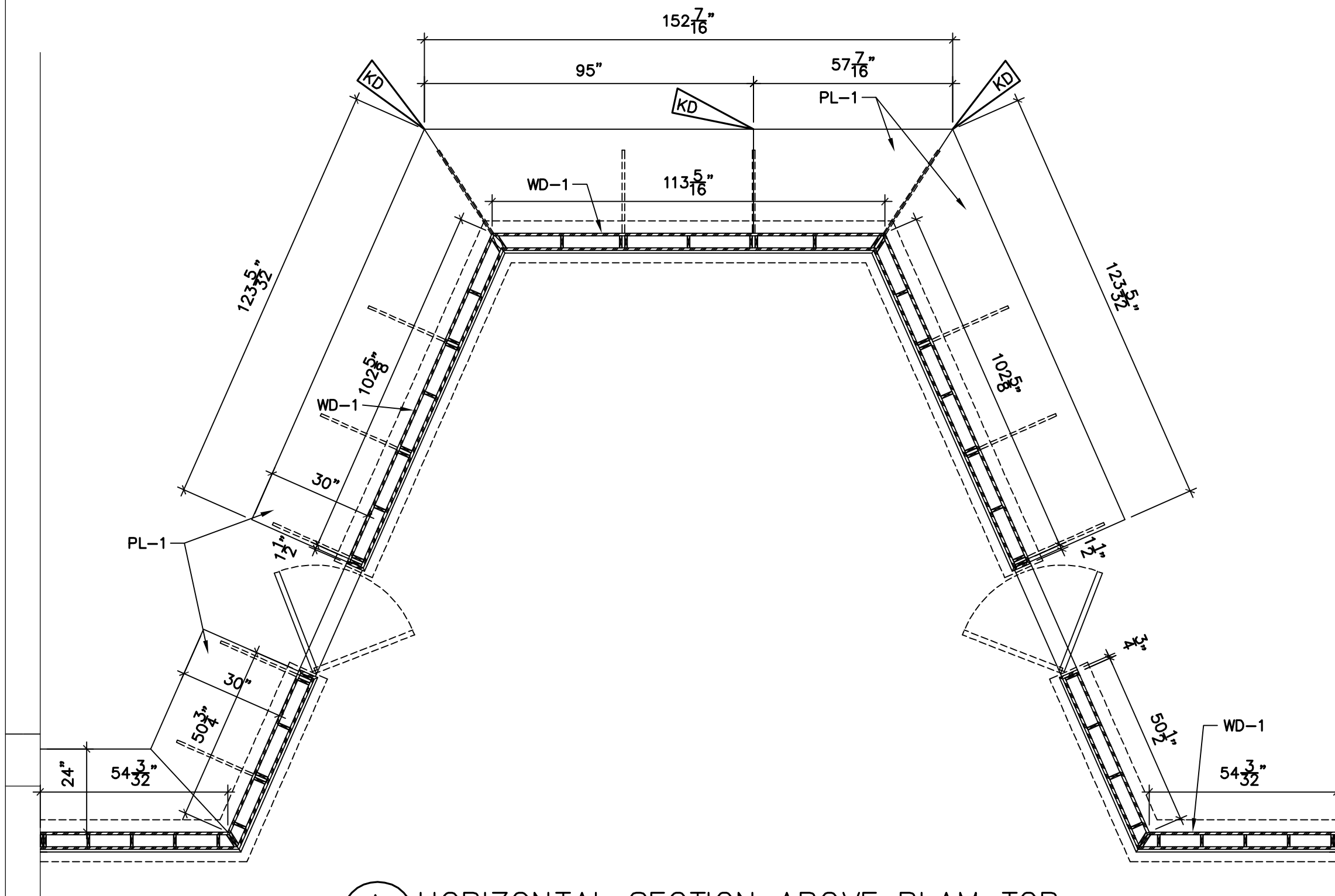
REVISIONS	BY
JOB#	
DRAWN BY:	DATE
TM	09/09/2005

Job Name:

Contractor:

Architect:

Location:



A HORIZONTAL SECTION ABOVE PLAM TOP
1-6 SCALE: 3/8" = 1'- 0"
 ARCH. REF:

REVISIONS	BY
JOB#	
DRAWN BY:	DATE
TM	09/06/2005

Job Name:

Contractor:

Architect:

Location: