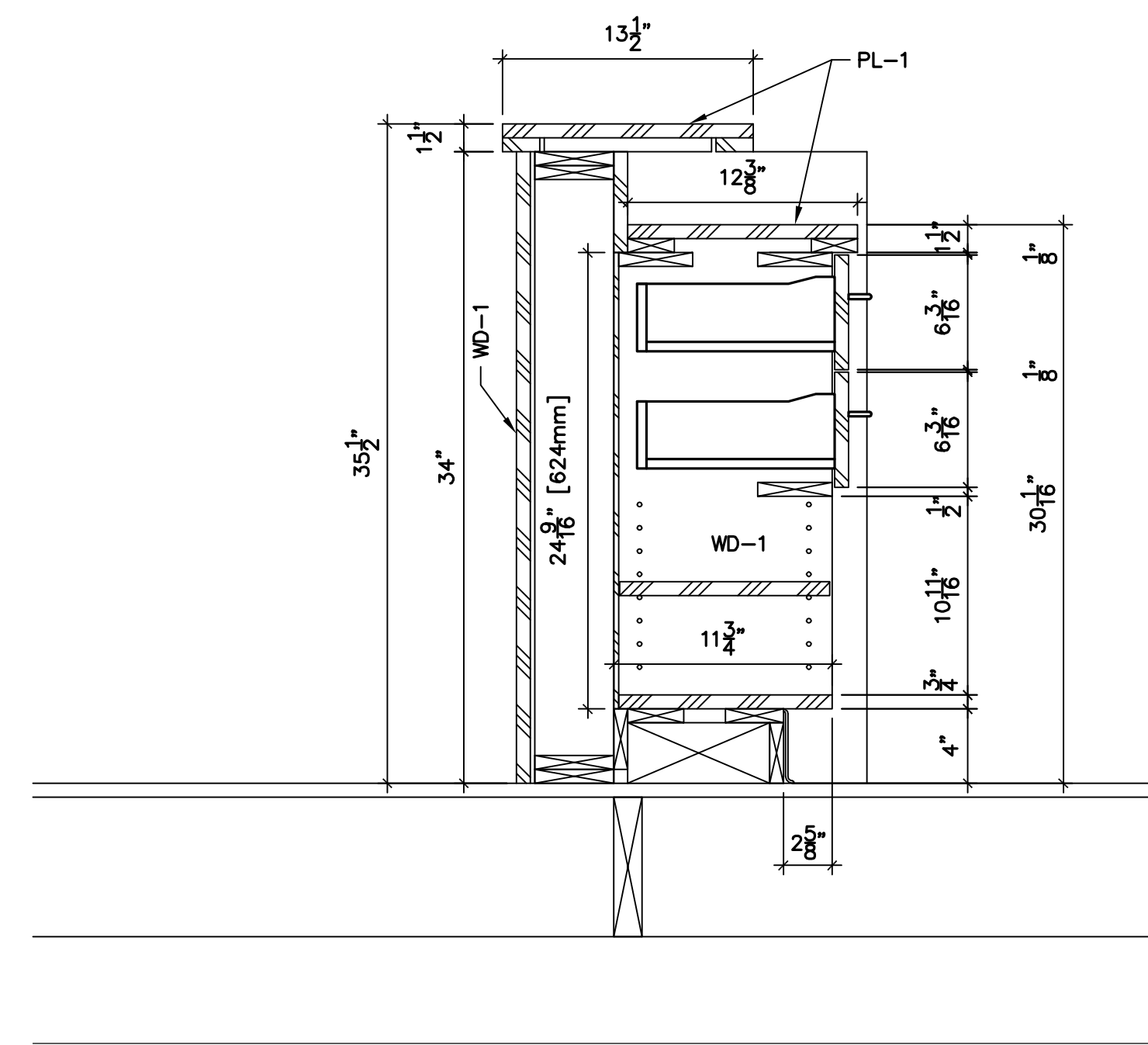
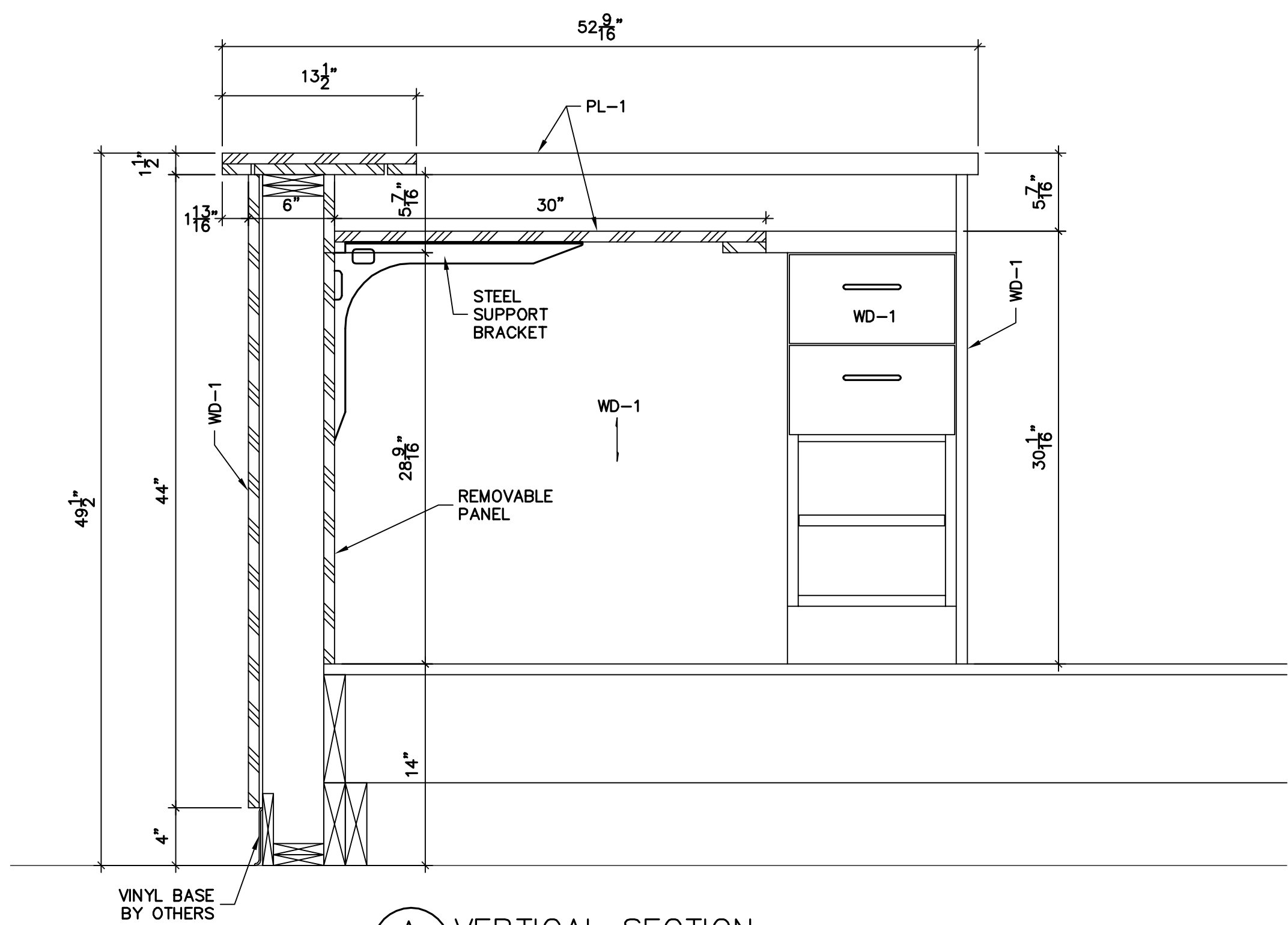


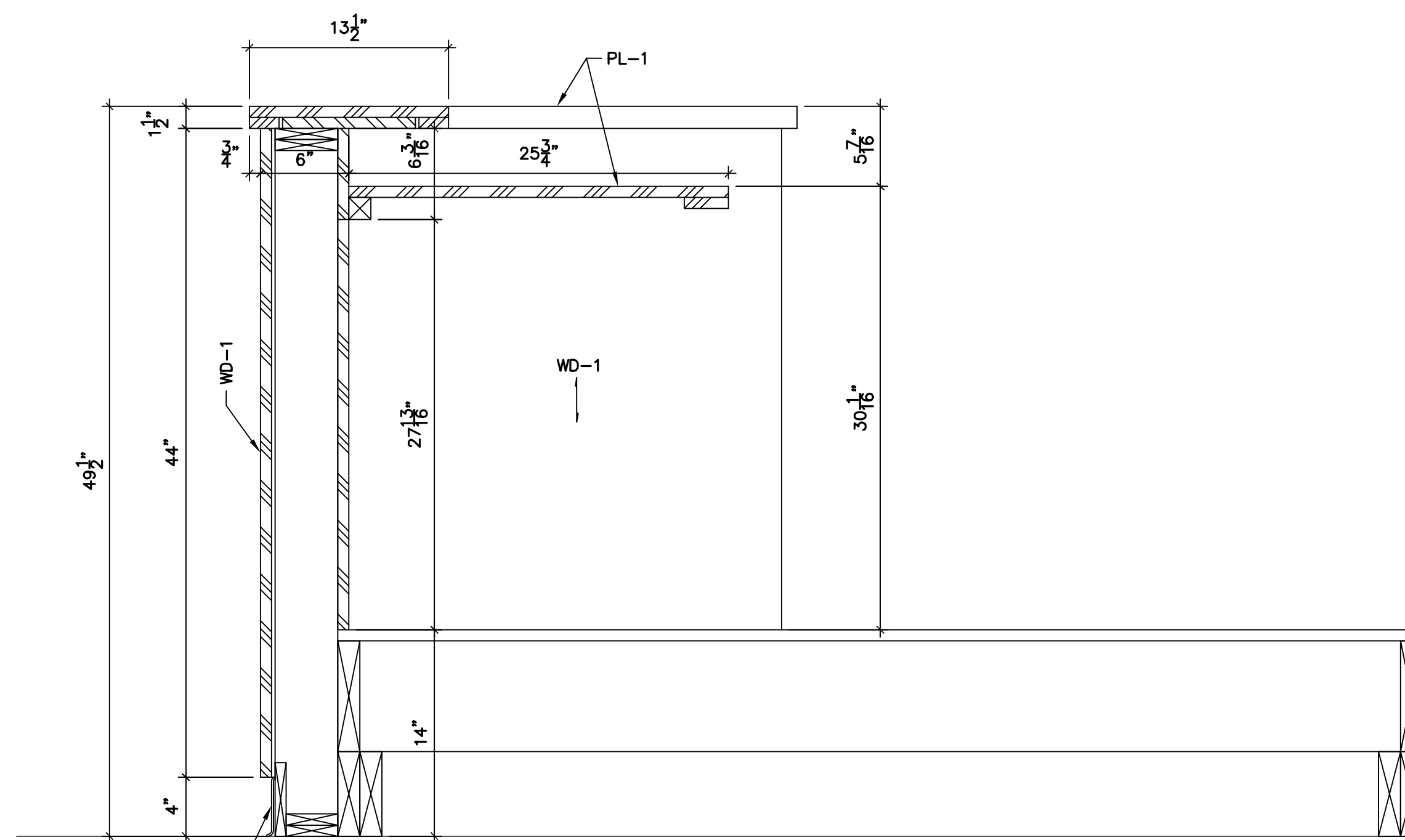
**C** VERTICAL SECTION  
 1-3 SCALE: 1-1/2" = 1'-0"  
 ARCH. REF: D/A11.1



**D** VERTICAL SECTION  
 1-3 SCALE: 1-1/2" = 1'-0"  
 ARCH. REF: NONE



**A** VERTICAL SECTION  
 1-3 SCALE: 1-1/2" = 1'-0"  
 ARCH. REF: B/A11.1

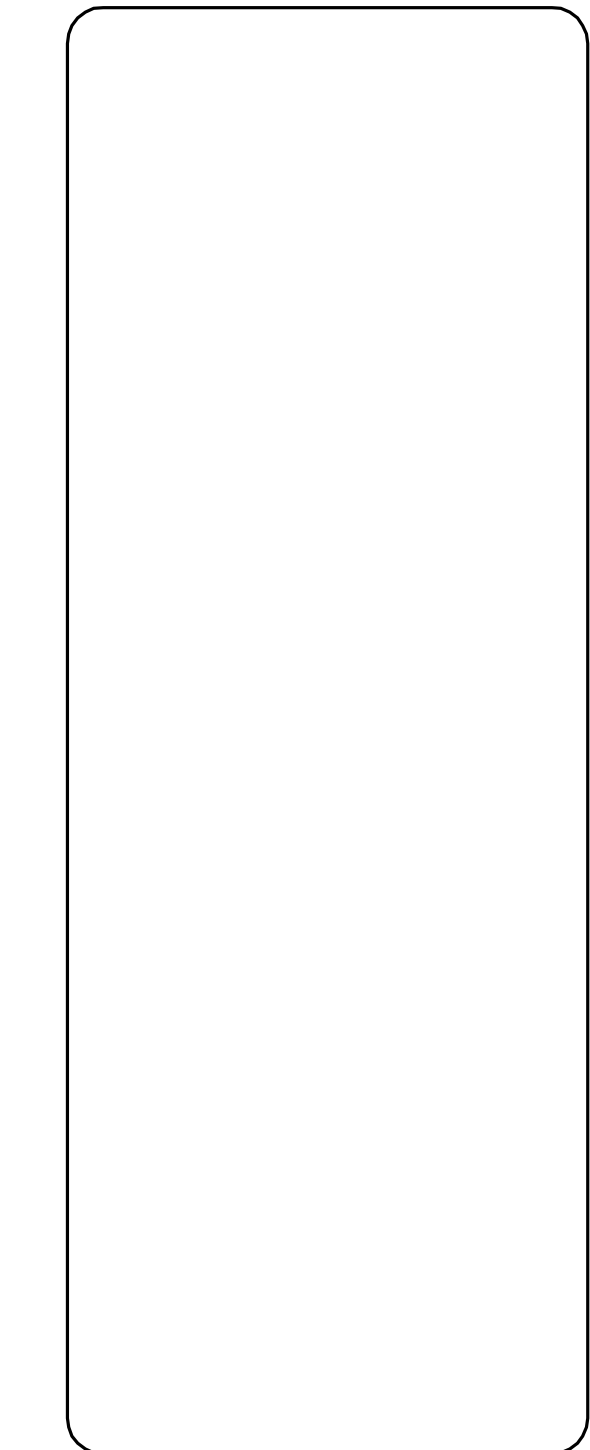
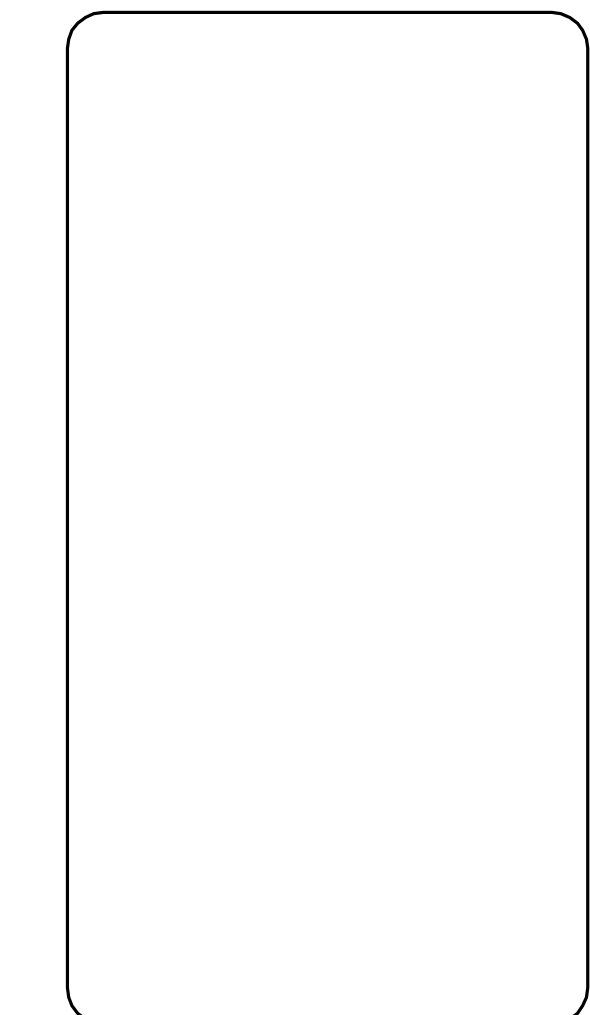
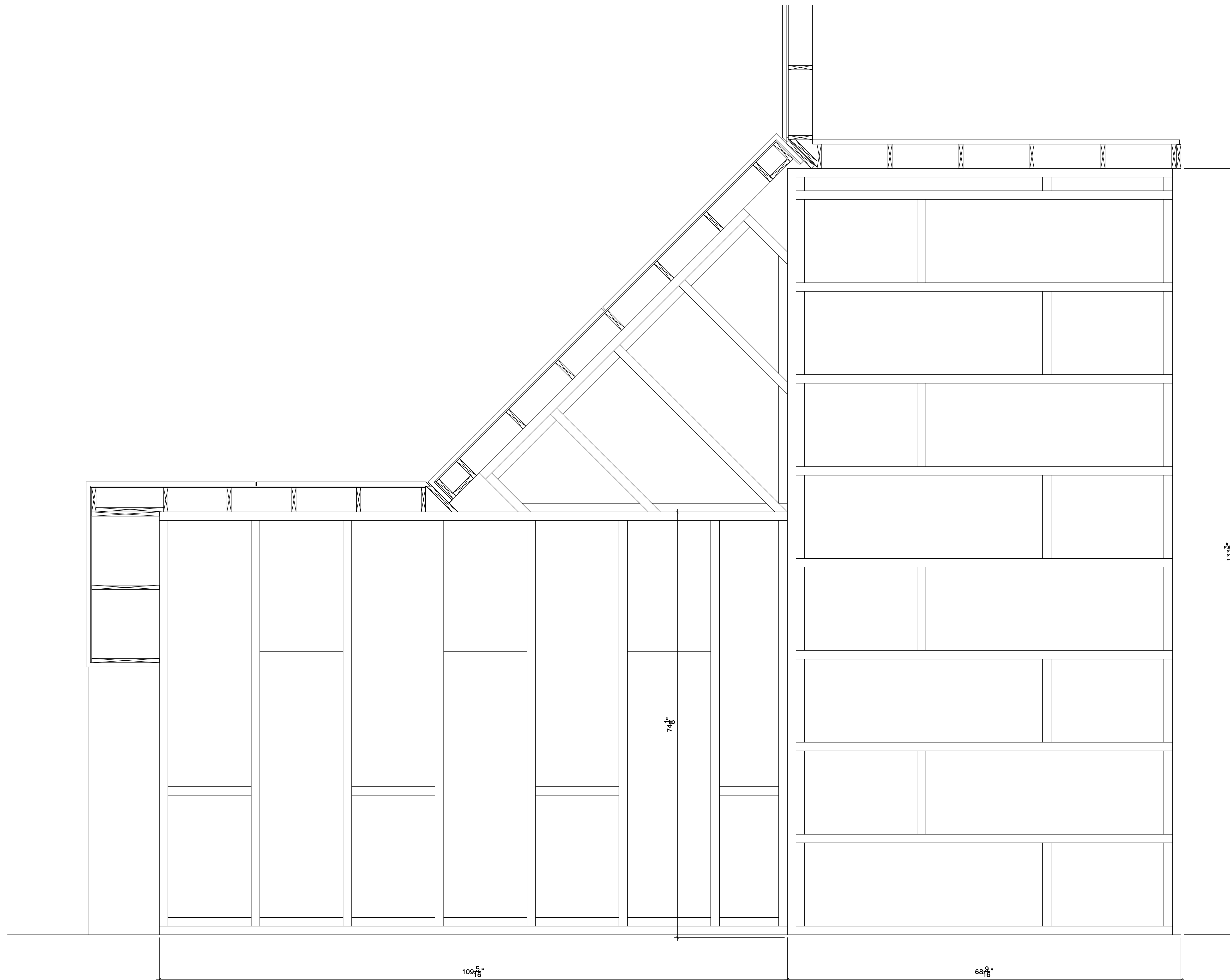


**B** VERTICAL SECTION  
 1-3 SCALE: 1-1/2" = 1'-0"  
 ARCH. REF: NONE

REVISIONS	BY
JOB#	
DRAWN BY:	DATE
TM	06/11/07

Job Name:

PAGE:  
**1-3**



REVISIONS	BY
JOB#	
DRAWN BY:	DATE
TM	06/11/07

Job Name:

PAGE:  
**1-4**

A RAISED FLOOR FRAMING PLAN  
 1-4 SCALE: 1-1/2" = 1'-0"  
 ARCH. REF: NONE