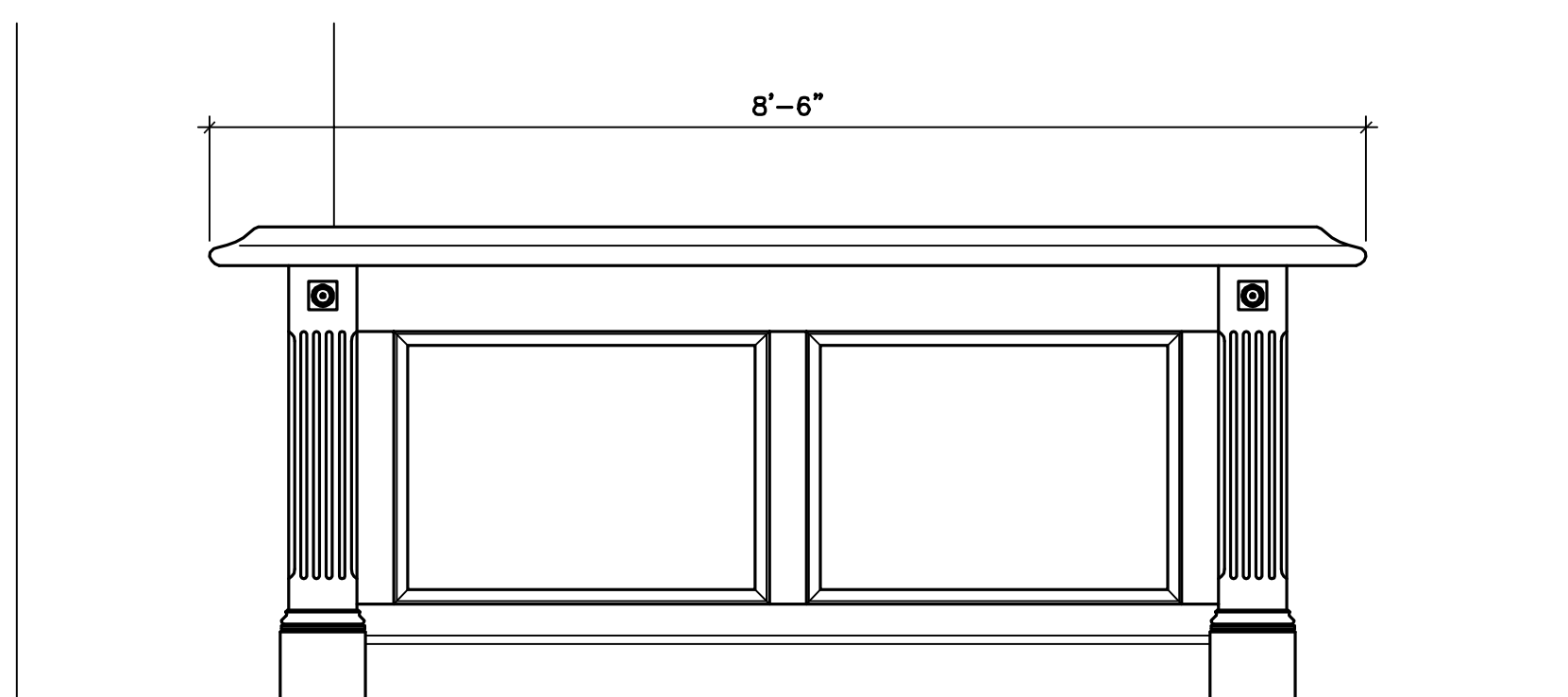


**PLAN VIEW**  
SCALE: 3/4" = 1'-0"  
ARCH. REF: NONE

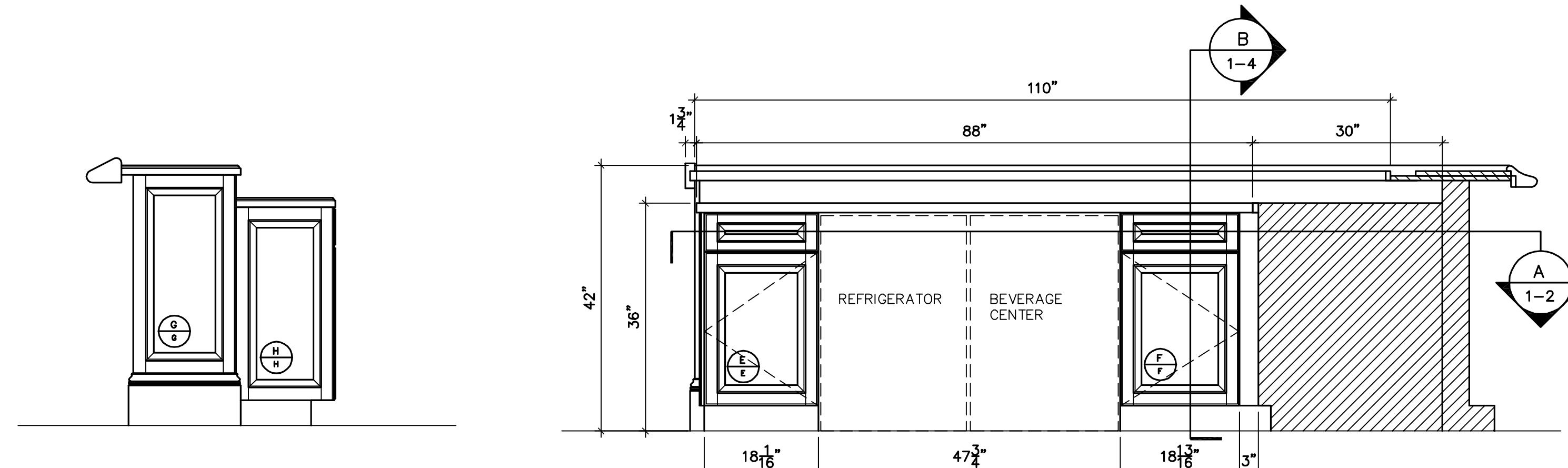
**B ELEVATION**  
SCALE: 3/4" = 1'-0"  
ARCH. REF: NONE



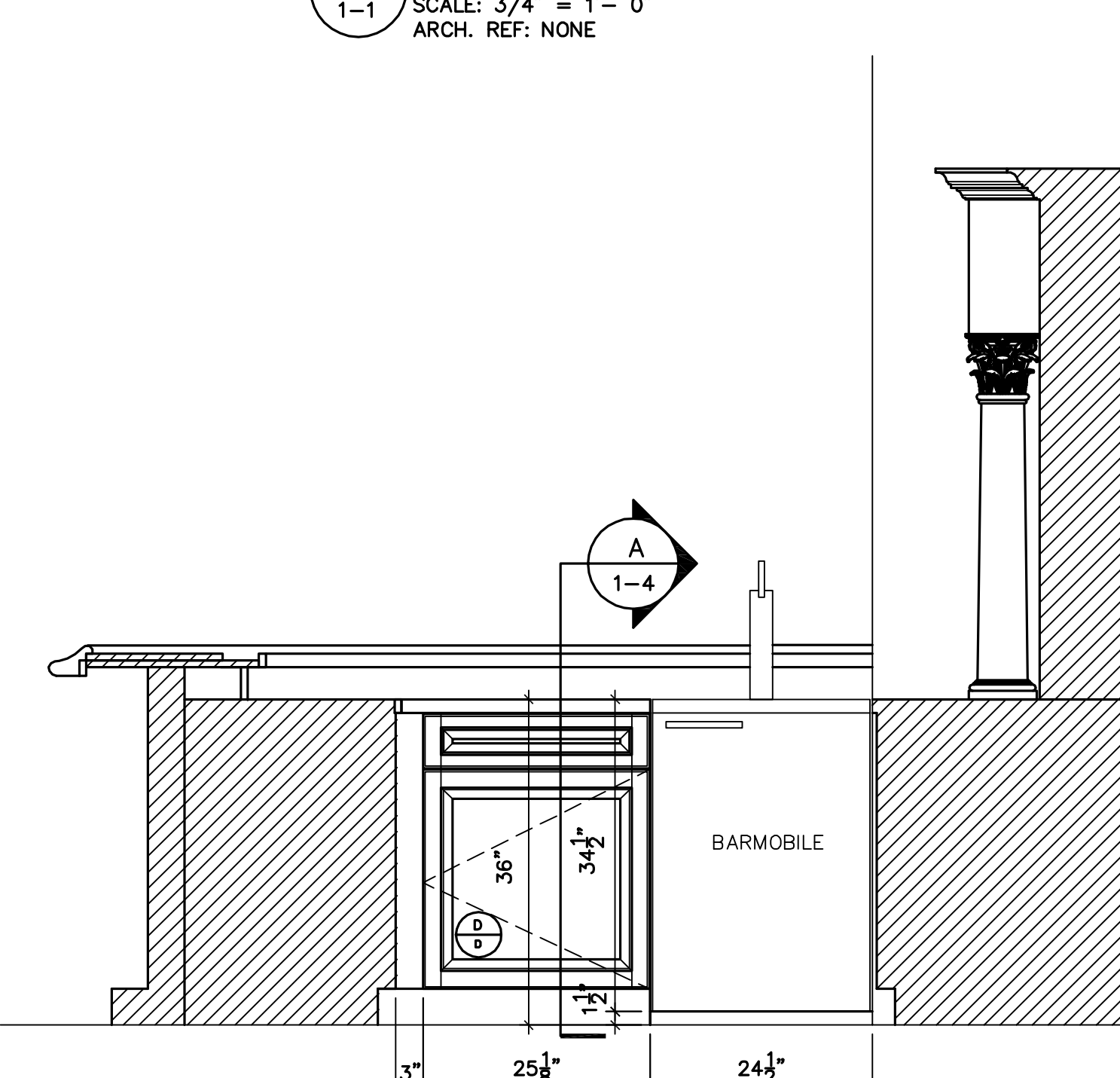
**E ELEVATION**  
SCALE: 3/4" = 1'-0"  
ARCH. REF: NONE



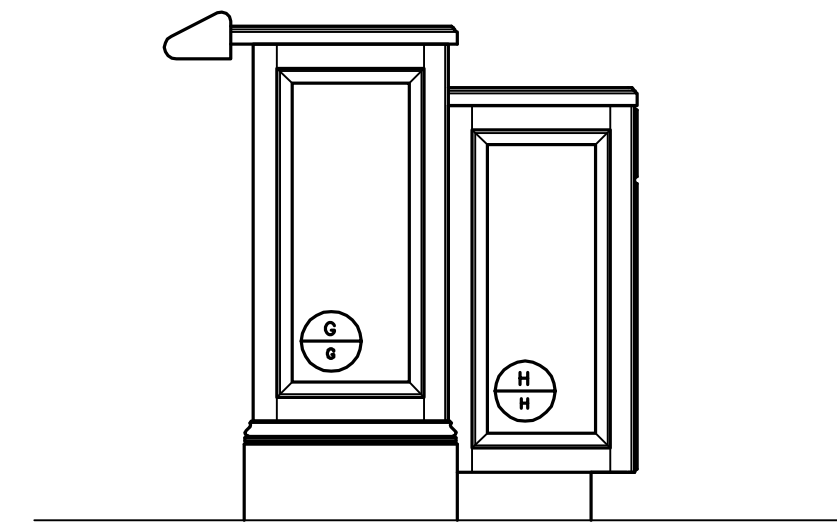
**D ELEVATION**  
SCALE: 3/4" = 1'-0"  
ARCH. REF: NONE



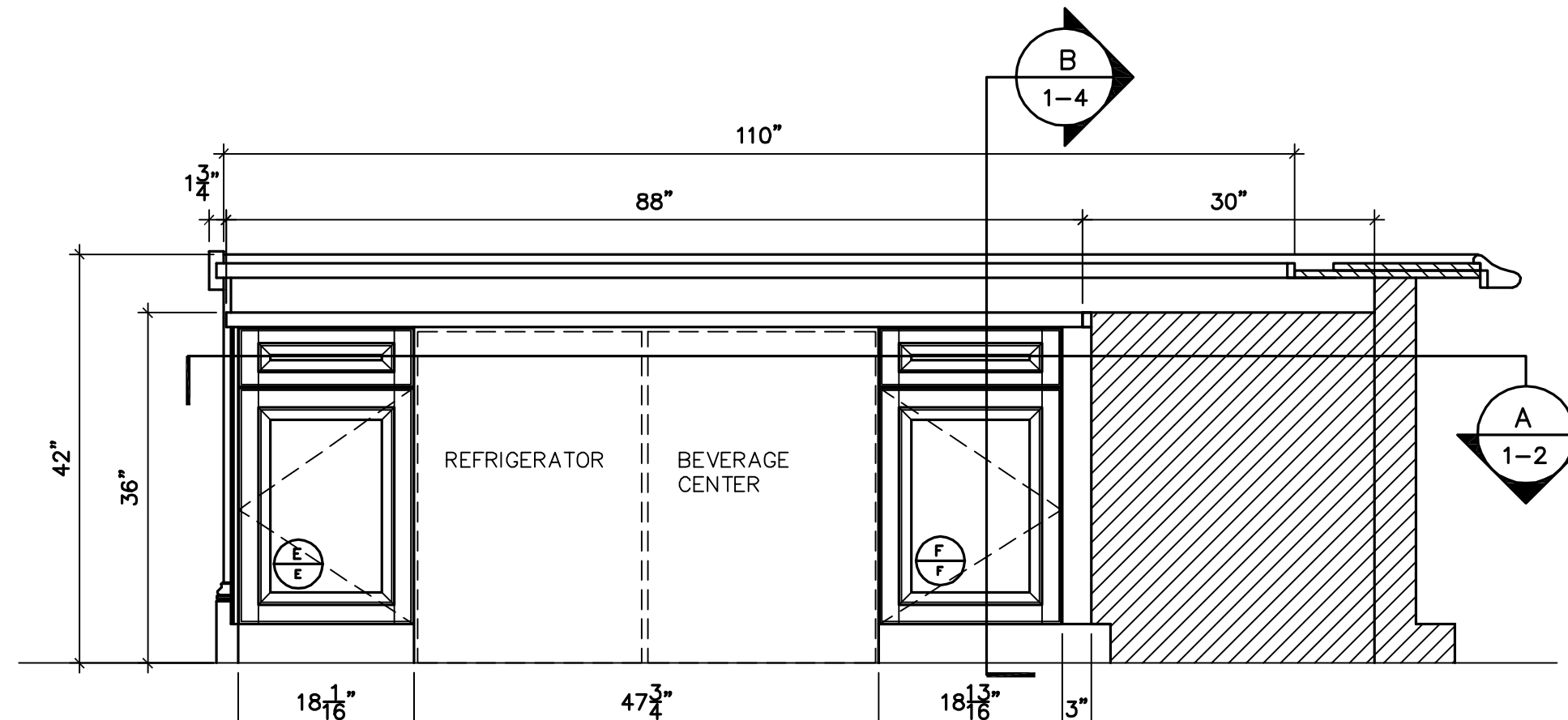
**A ELEVATION**  
SCALE: 3/4" = 1'-0"  
ARCH. REF: NONE



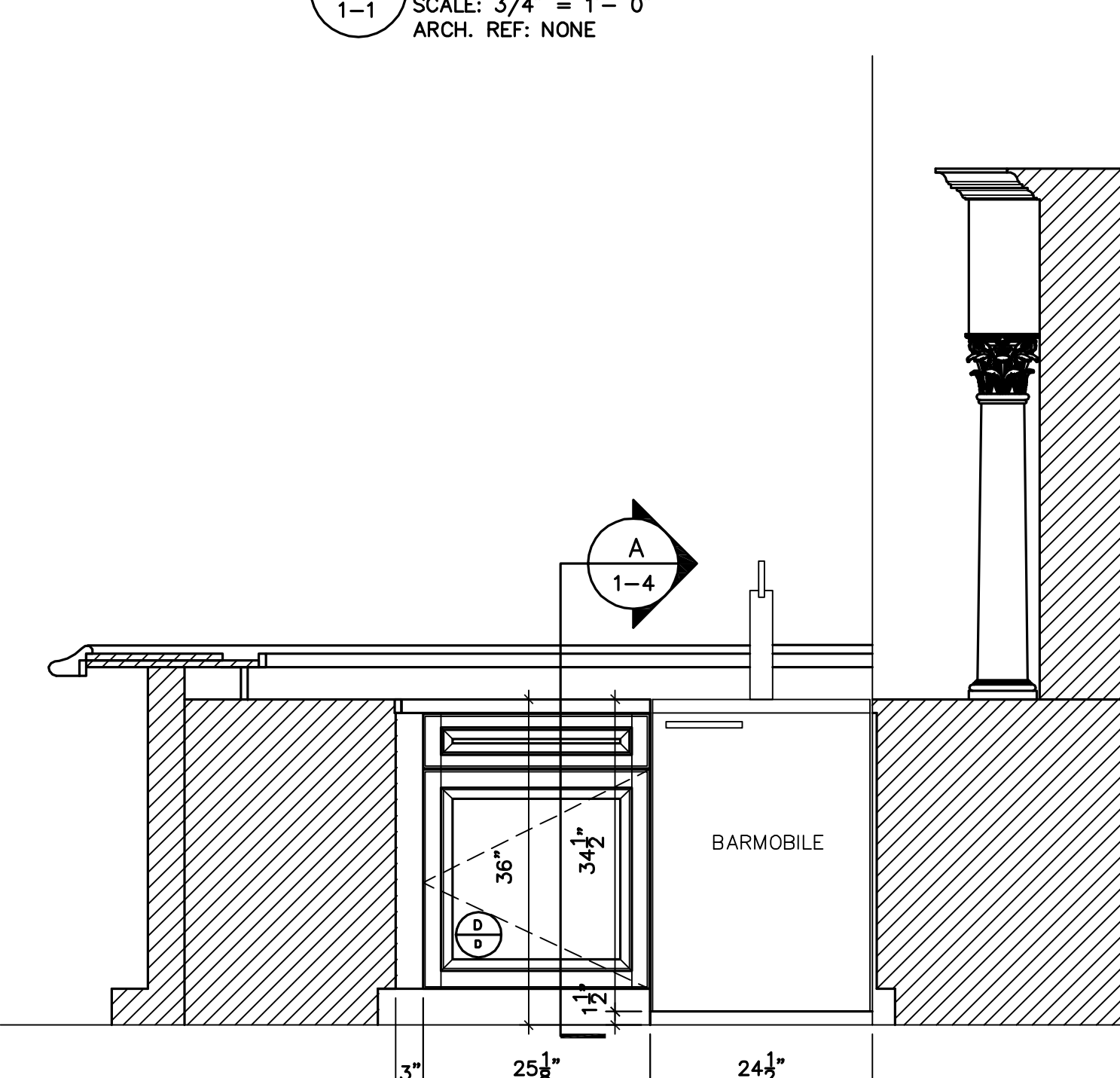
**G ELEVATION**  
SCALE: 3/4" = 1'-0"  
ARCH. REF: NONE



**C ELEVATION**  
SCALE: 3/4" = 1'-0"  
ARCH. REF: NONE



**F ELEVATION**  
SCALE: 3/4" = 1'-0"  
ARCH. REF: NONE



NOTES:

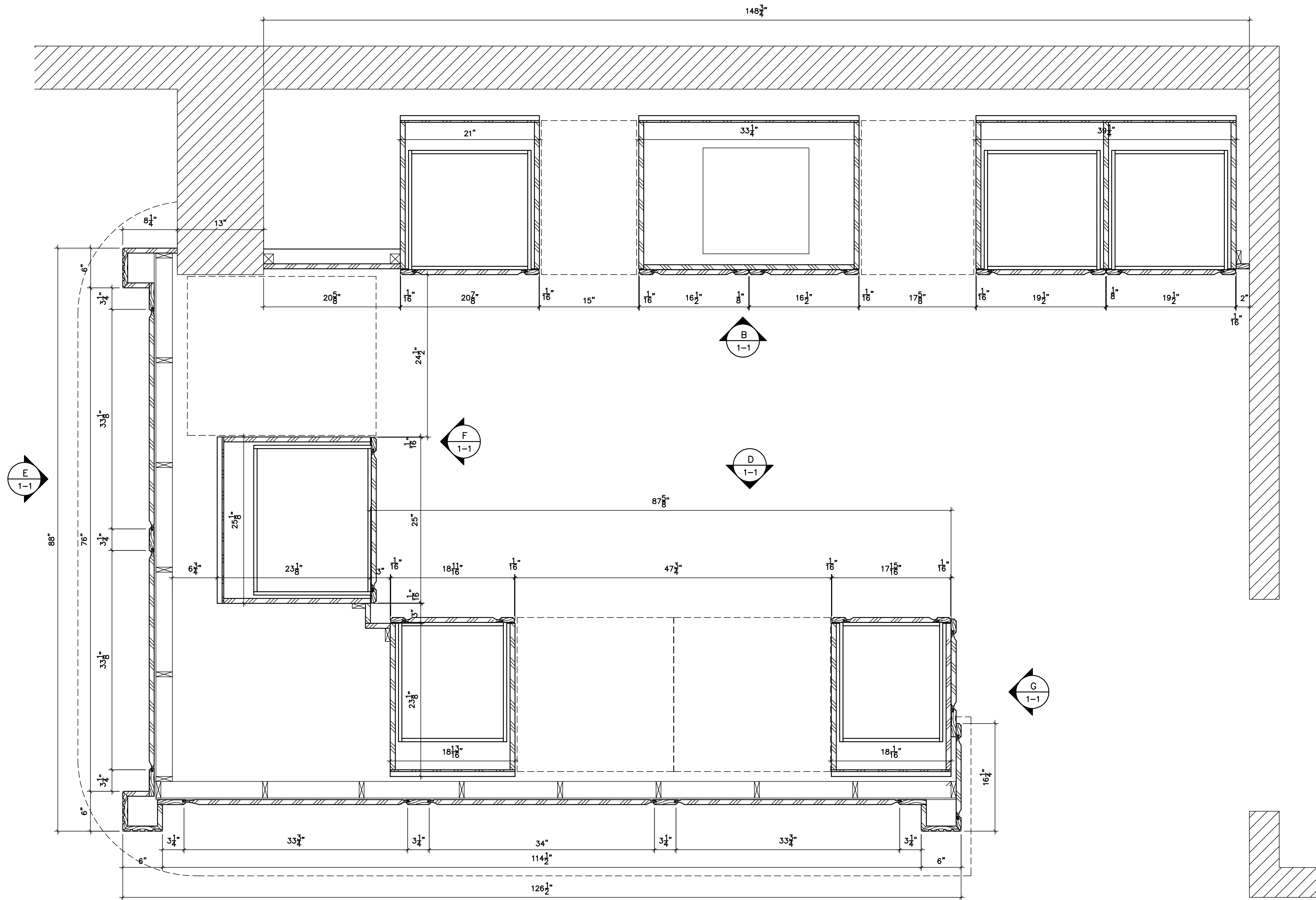
DOUBLE CHECK BY:	DATE:
FIELD LAYOUT BY:	DATE:
7.	
6.	
5.	
4.	
3.	
2. REVISE ARCHES 05/10/07, TM	
1. REVISE SECTIONS 05/08/05, TM	
REVISIONS:	

JOB NAME:

DRAWING NAME:  
**BAR**

DRAWN BY: DRAWING DATE:  
12/14/06

JOB NO. DRAWING NO.  
1-1



**A** HORIZONTAL SECTION  
 1-2 SCALE: 1-1/2" = 1'-0"  
 ARCH. REF: NONE

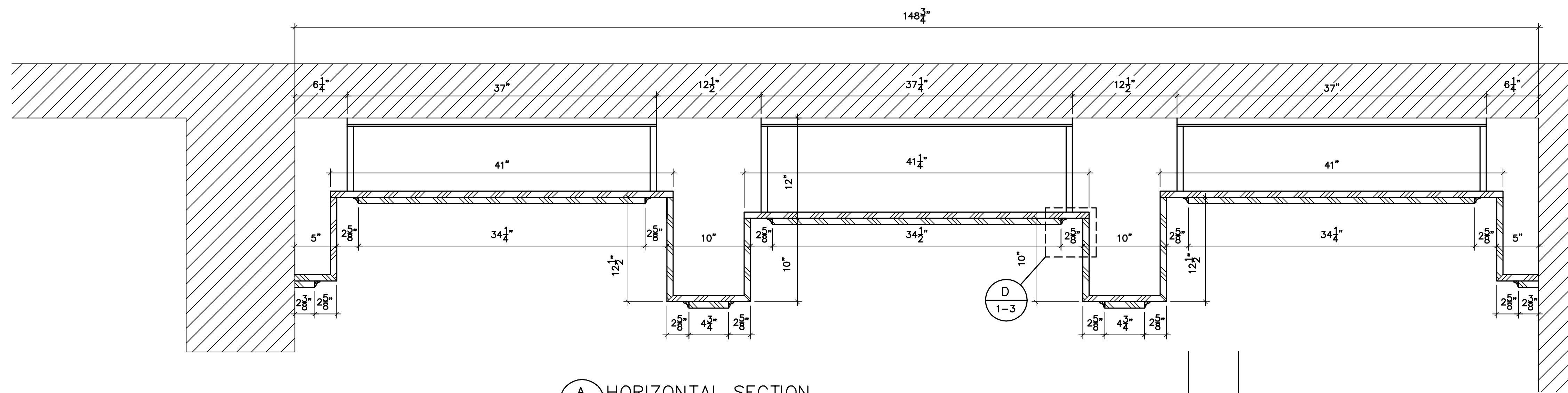
NOTES:

DOUBLE CHECK BY:	DATE:
FIELD LAYOUT BY:	DATE:
7.	
6.	
5.	
4.	
3.	
2. REVISE ARCHES 05/10/07, TM	
1. REVISE SECTIONS 05/08/07, TM	
REVISIONS:	

JOB NAME:

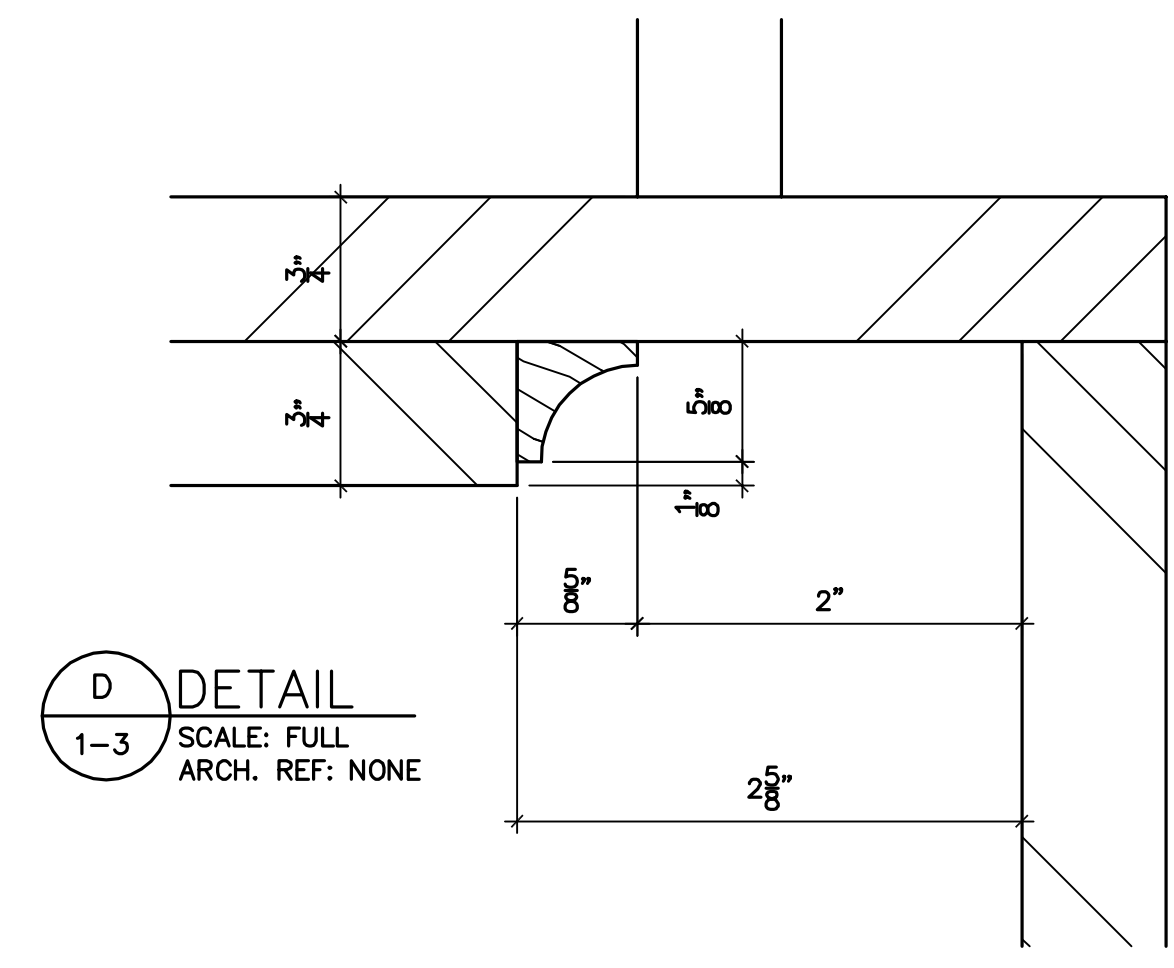
DRAWING NAME:  
 BAR

DRAWN BY:	DRAWING DATE: 01/02/07
JOB NO.	DRAWING NO. 1-2

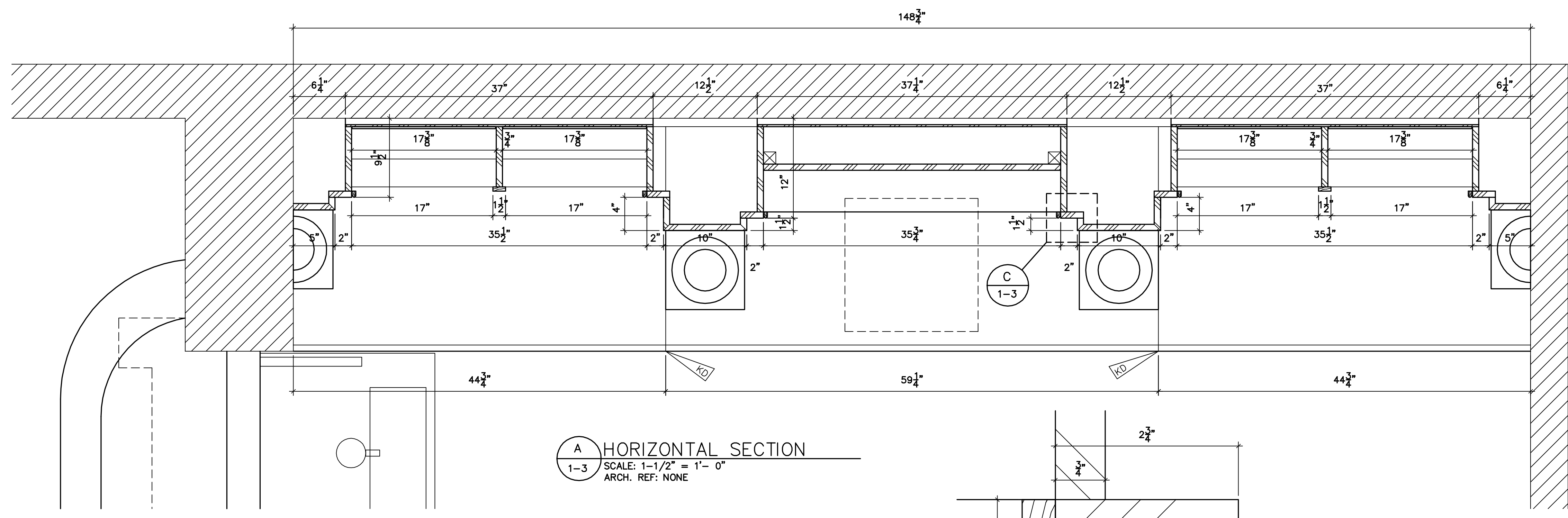


**A HORIZONTAL SECTION**  
 1-3 SCALE: 1-1/2" = 1'-0"  
 ARCH. REF: NONE

**D**  
 1-3

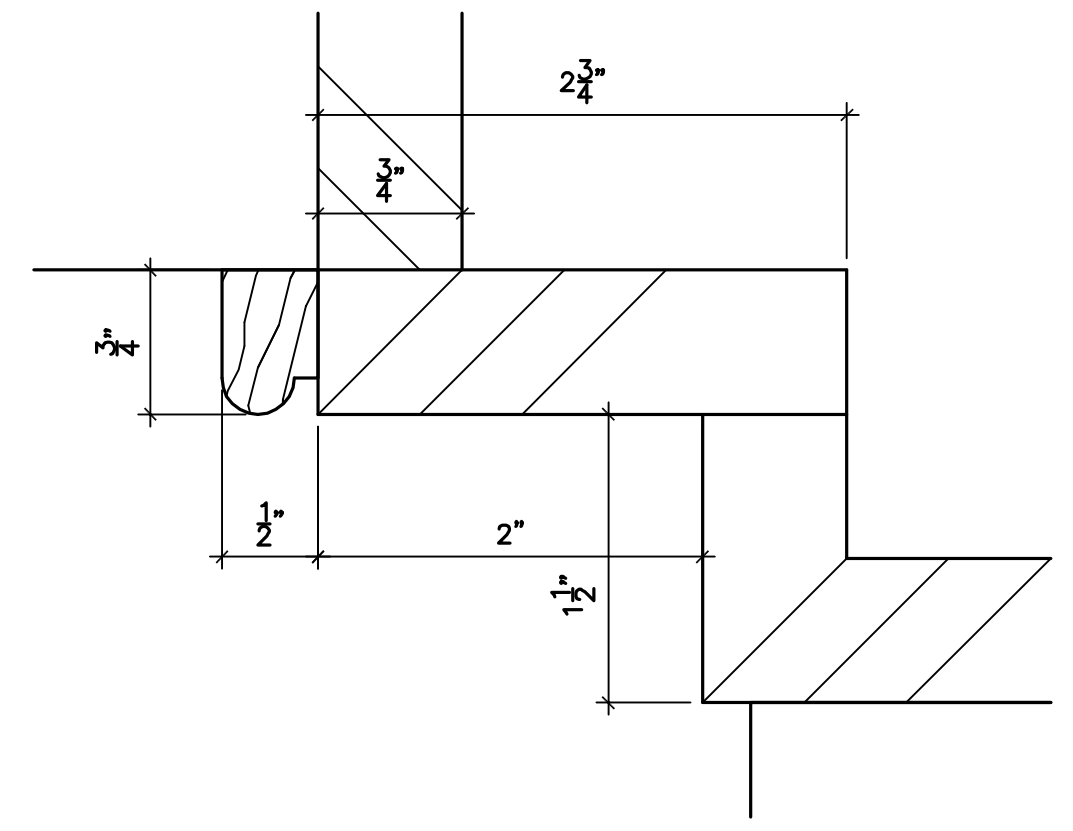


**D DETAIL**  
 1-3 SCALE: FULL  
 ARCH. REF: NONE



**A HORIZONTAL SECTION**  
 1-3 SCALE: 1-1/2" = 1'-0"  
 ARCH. REF: NONE

**C**  
 1-3



**C DETAIL**  
 1-3 SCALE: FULL  
 ARCH. REF: NONE

**NOTES:**

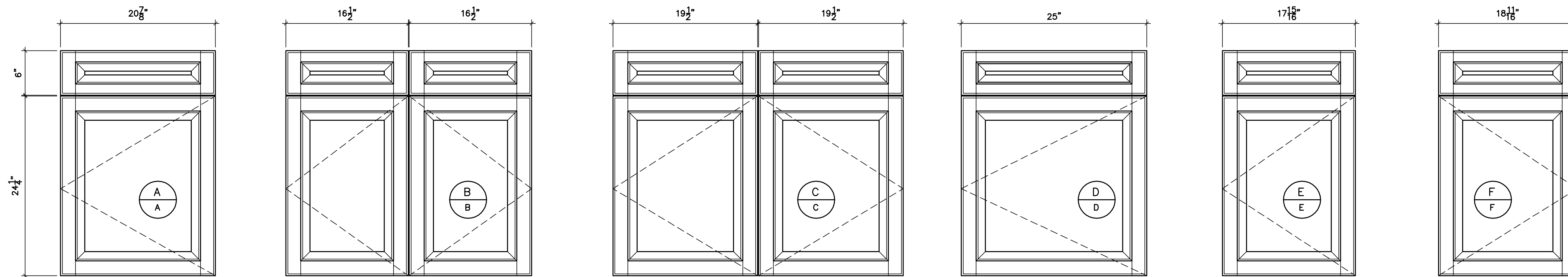
DOUBLE CHECK BY:	DATE:
FIELD LAYOUT BY:	DATE:
7.	
6.	
5.	
4.	
3.	
2. REVISE ARCHES 05/10/07, TM	
1. REVISE SECTIONS 05/08/07, TM	
REVISIONS:	

JOB NAME:

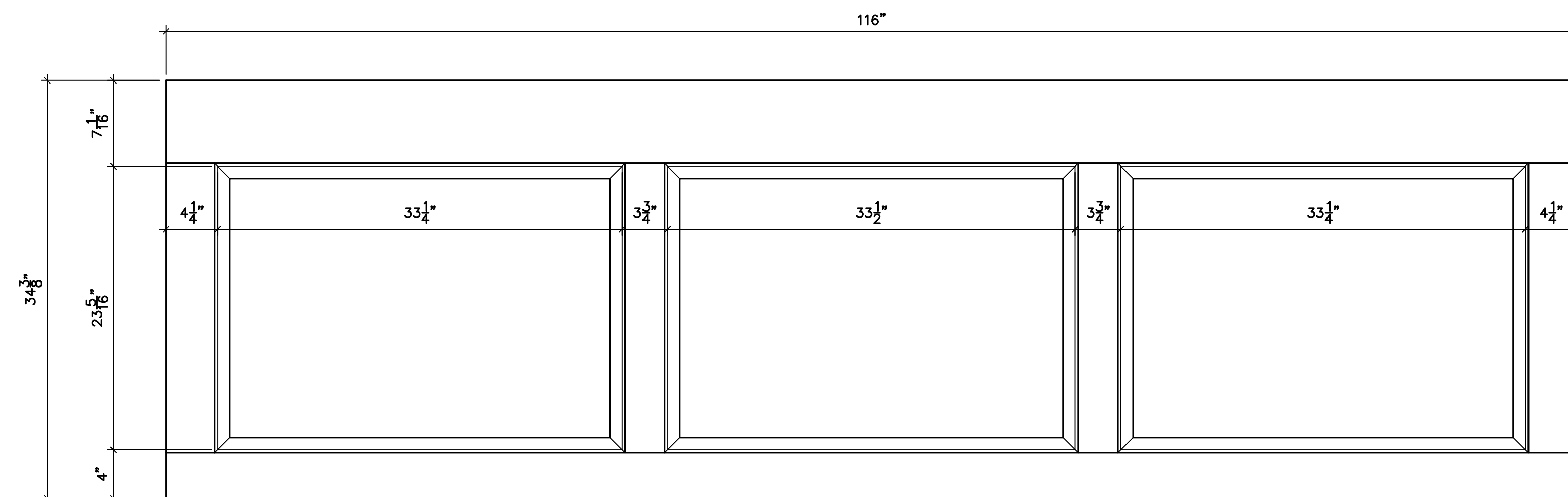
DRAWING NAME:  
**BAR**

DRAWN BY:	DRAWING DATE: 01/02/07
JOB NO.	DRAWING NO. 1-3

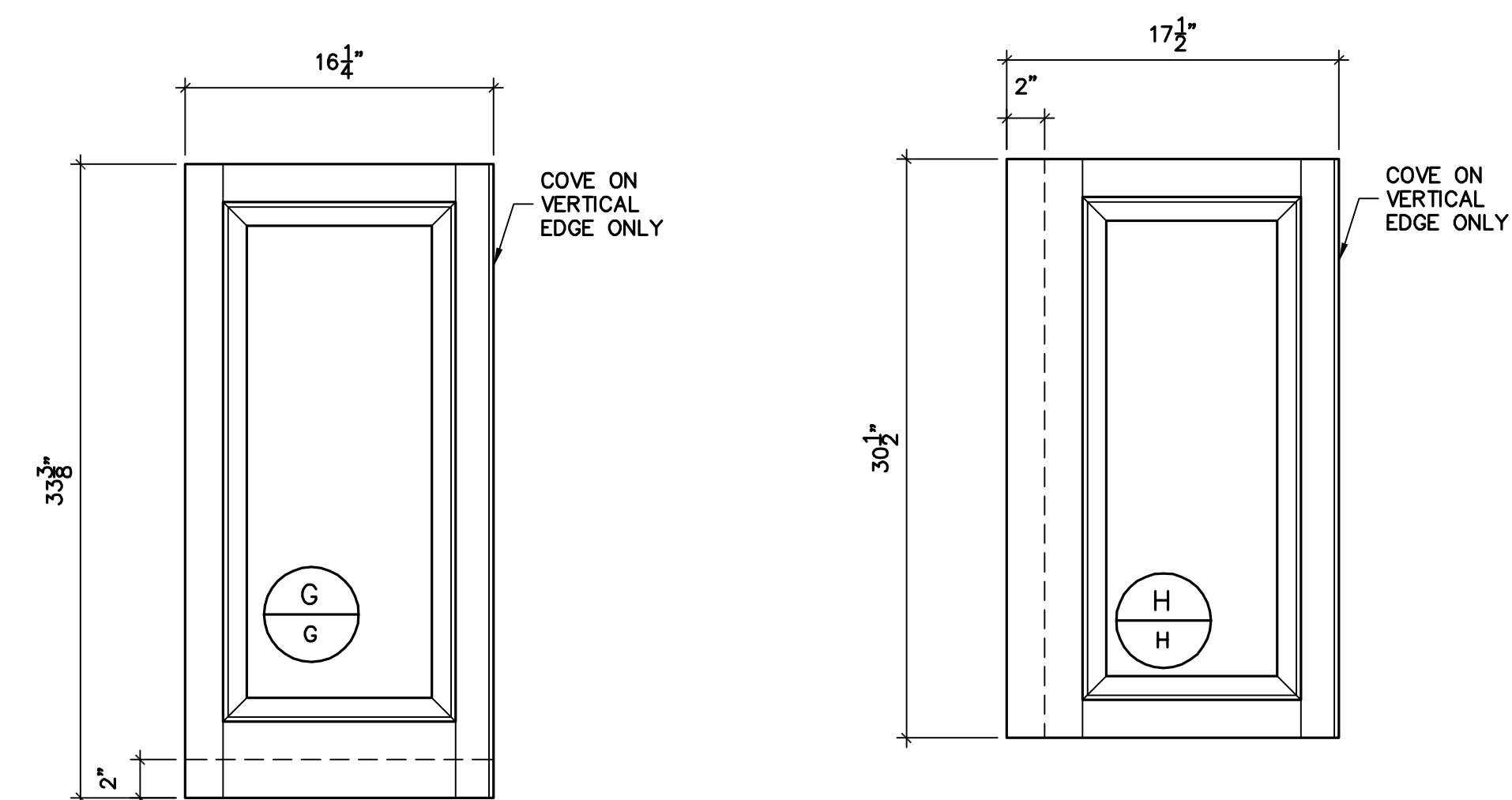




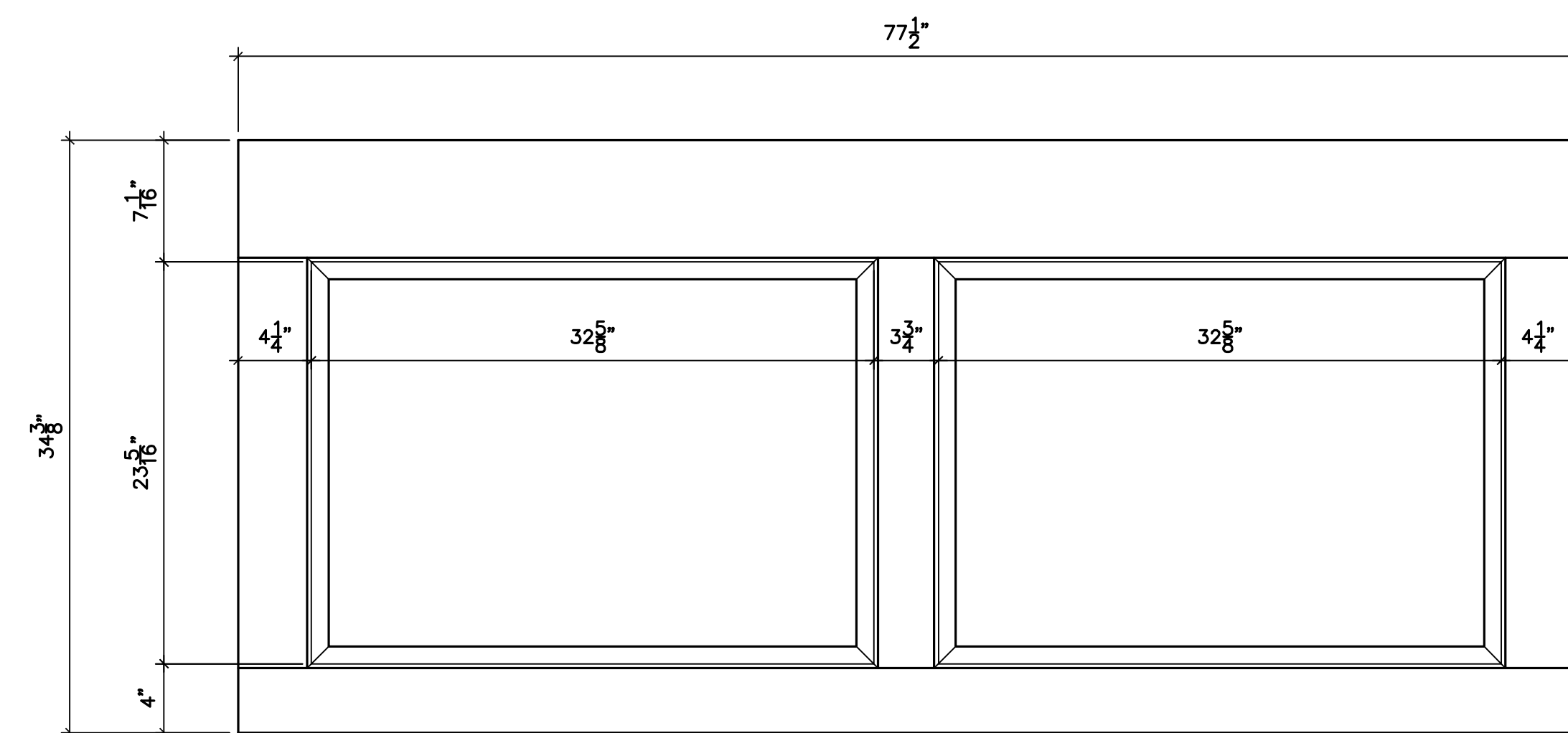
**A** CABINET DOORS AND DRAWER FRONTS  
 1-5 SCALE: 1-1/2" = 1'-0"  
 ARCH. REF: NONE



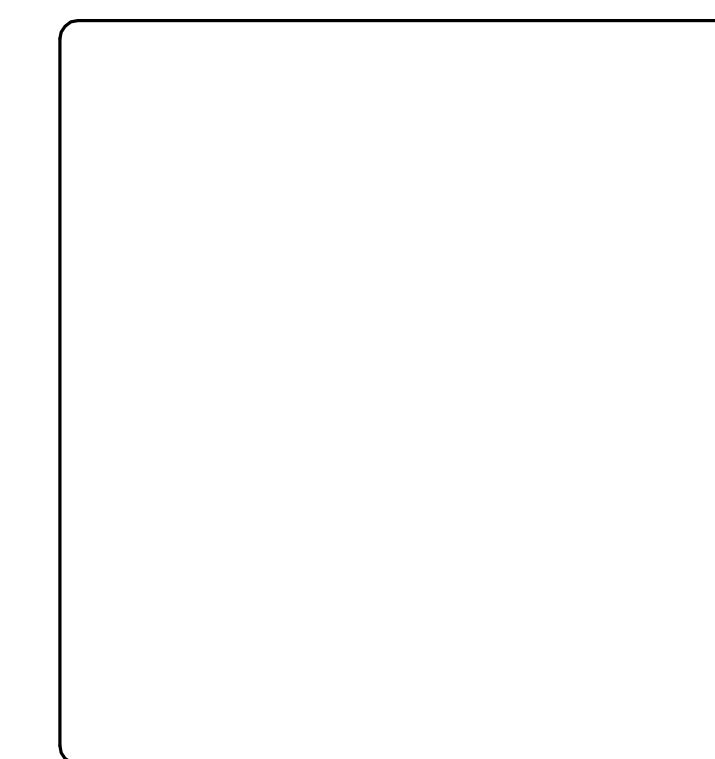
**B** BAR FRONT PANEL  
 1-5 SCALE: 1-1/2" = 1'-0"  
 ARCH. REF: NONE



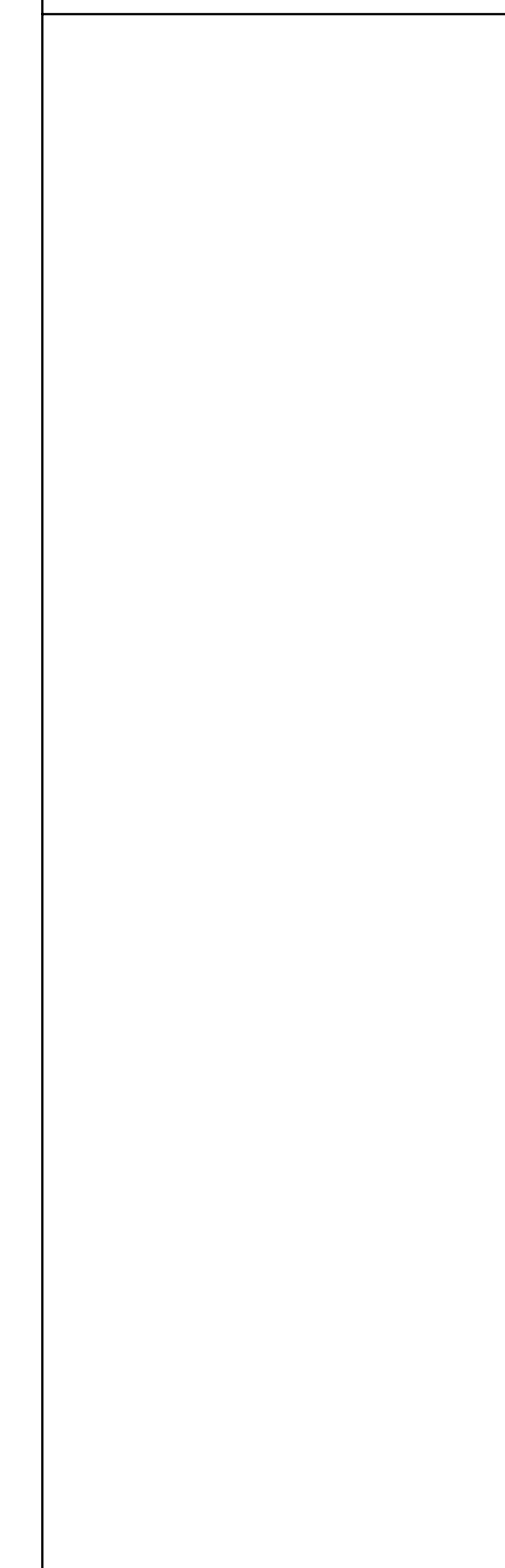
**D** BAR END PANELS  
 1-5 SCALE: 1-1/2" = 1'-0"  
 ARCH. REF: NONE



**C** BAR END RETURN PANEL  
 1-5 SCALE: 1-1/2" = 1'-0"  
 ARCH. REF: NONE



NOTES:



DOUBLE CHECK BY: \_\_\_\_\_ DATE: \_\_\_\_\_

FIELD LAYOUT BY: \_\_\_\_\_ DATE: \_\_\_\_\_

7.	
6.	
5.	
4.	
3.	
2.	REVISE ARCHES 05/10/07, TM
1.	REVISED SECTIONS 05/08/07, TM
REVISIONS:	

JOB NAME: \_\_\_\_\_

DRAWING NAME:  
 BAR

DRAWN BY: \_\_\_\_\_ DRAWING DATE:  
 01/02/07

JOB NO. \_\_\_\_\_ DRAWING NO.  
 1-5