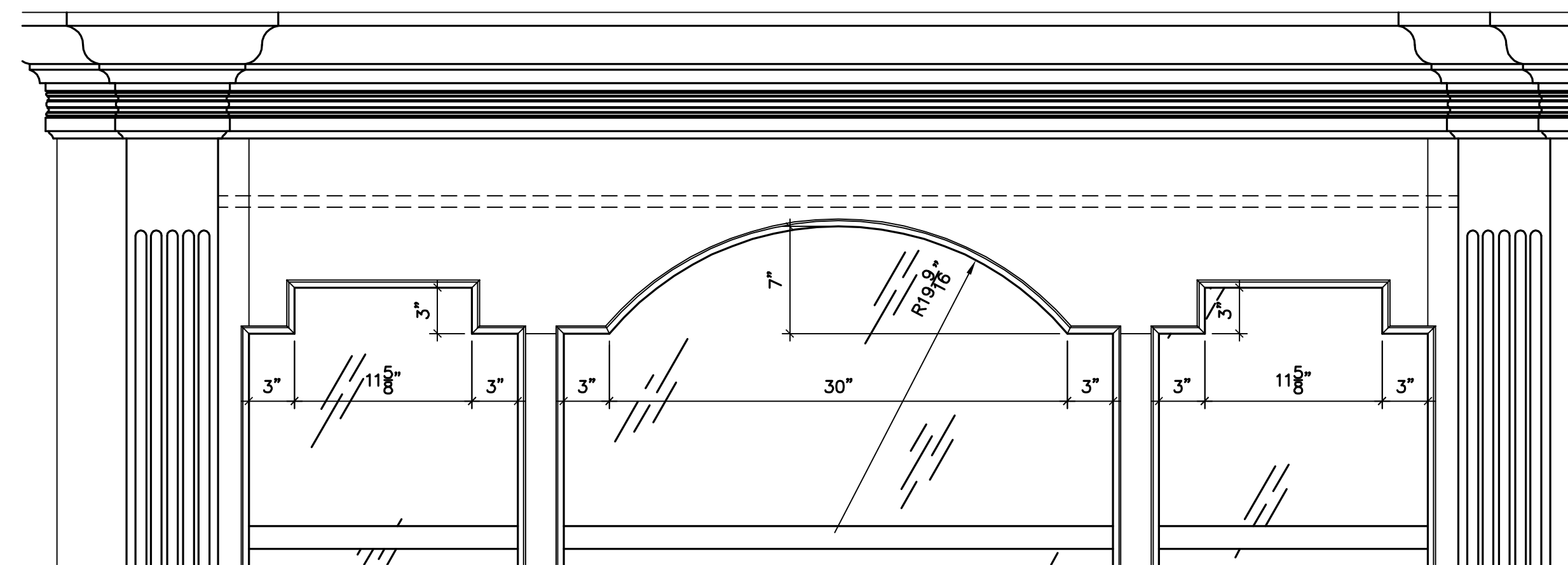
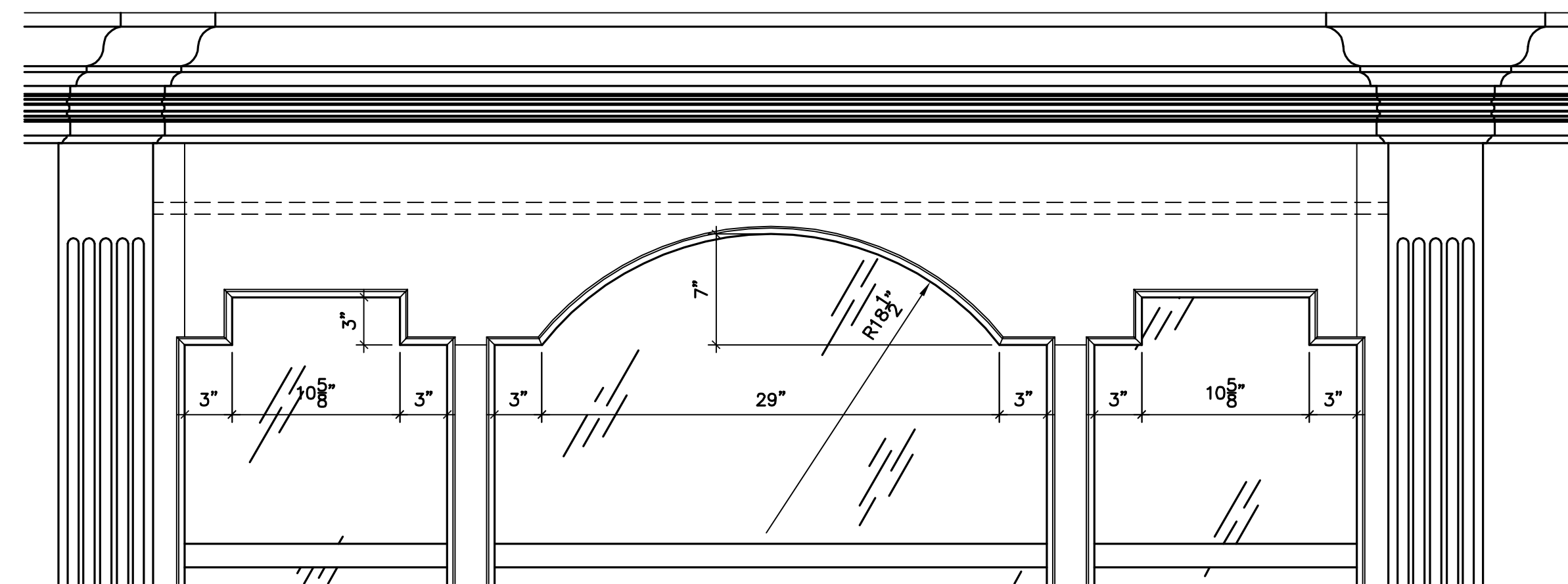


A LIVING ROOM ELEVATION
 1-1.1 SCALE: 1" = 1'-0"
 ARCH. REF:



B LEFT VALANCE DETAIL
 1-1.1 SCALE: 1-1/2" = 1'-0"
 ARCH. REF:



C RIGHT VALANCE DETAIL
 1-1.1 SCALE: 1-1/2" = 1'-0"
 ARCH. REF:

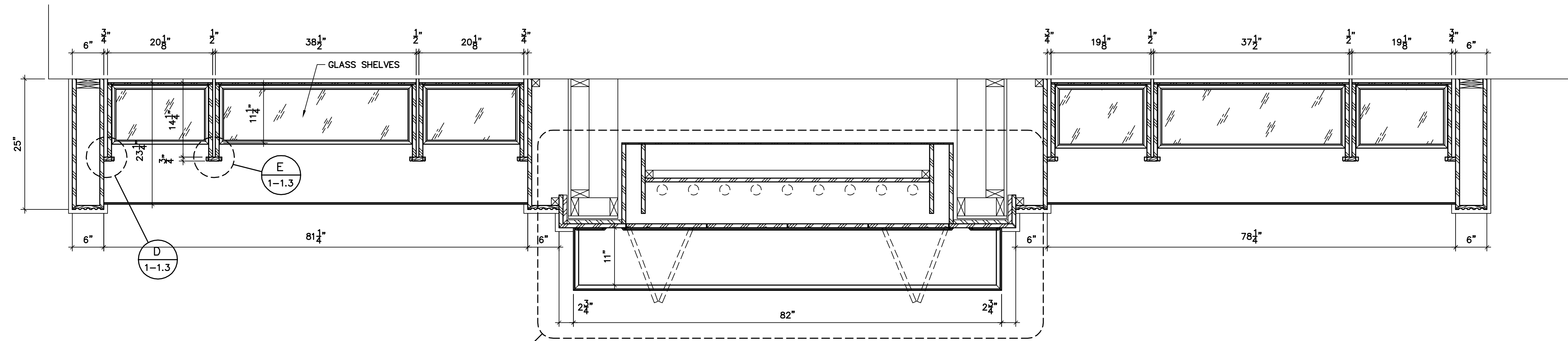
NOTES:

DOUBLE CHECK BY:	DATE:
FIELD LAYOUT BY:	DATE:
7.	
6.	
5.	
4.	
3.	
2.	
1.	
REVISIONS:	

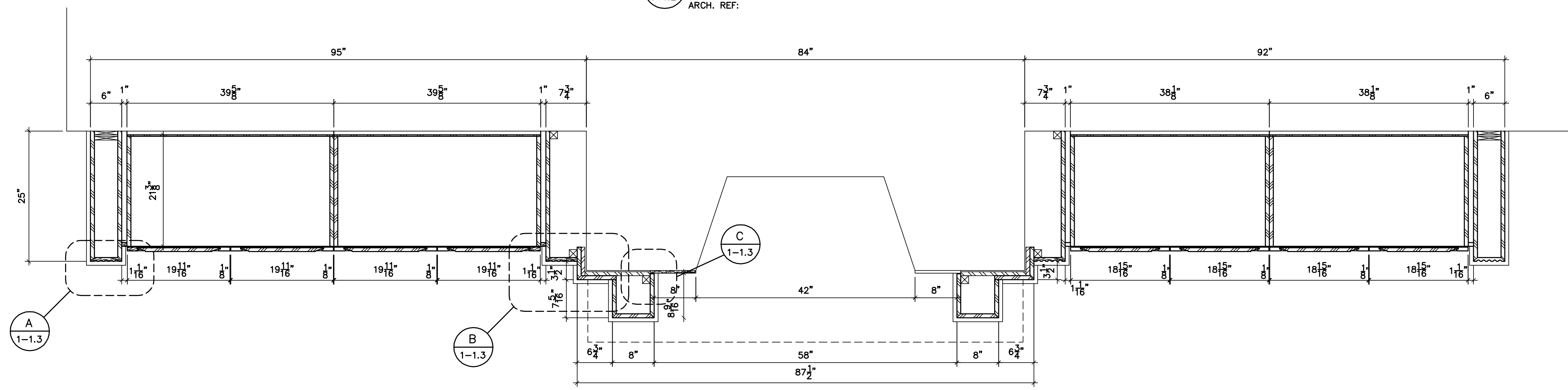
JOB NAME:

DRAWING NAME:
 LIVING ROOM ELEVATION

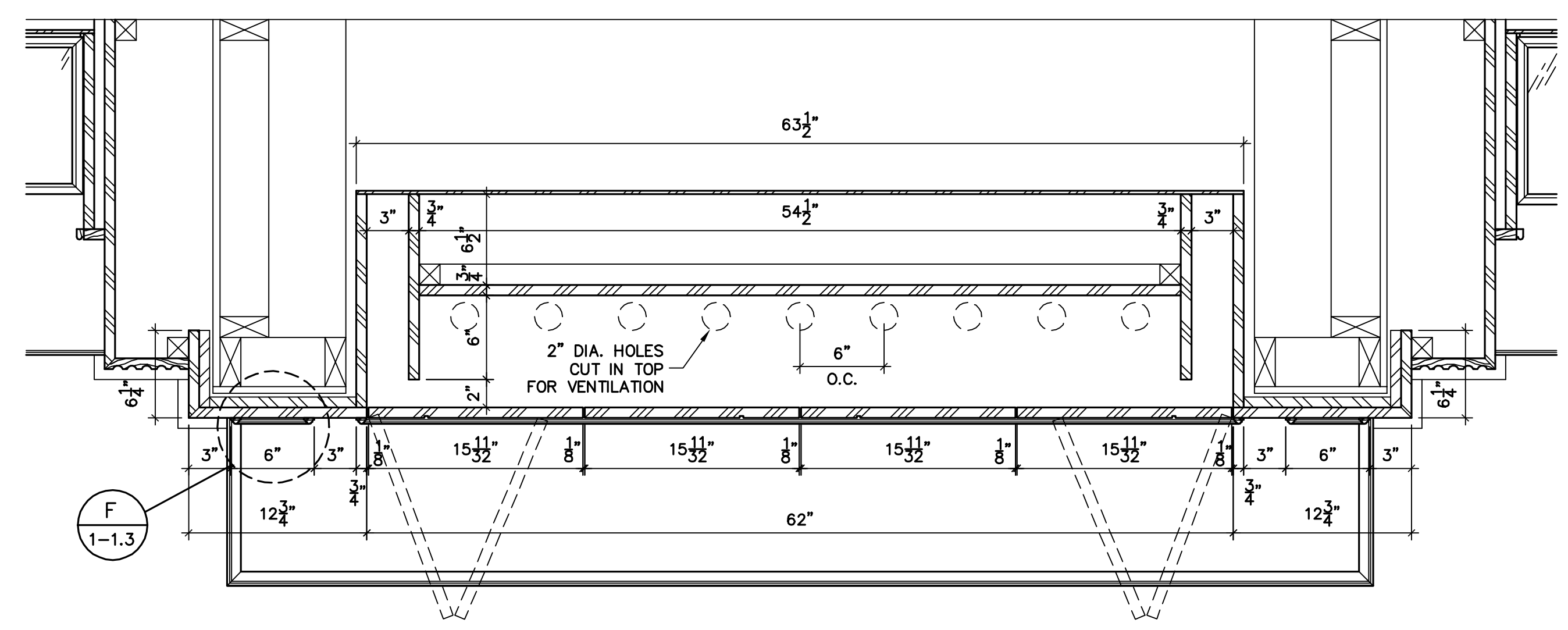
DRAWN BY: TM	DRAWING DATE: 08/02/05
JOB NO.	DRAWING NO. 1-1.1



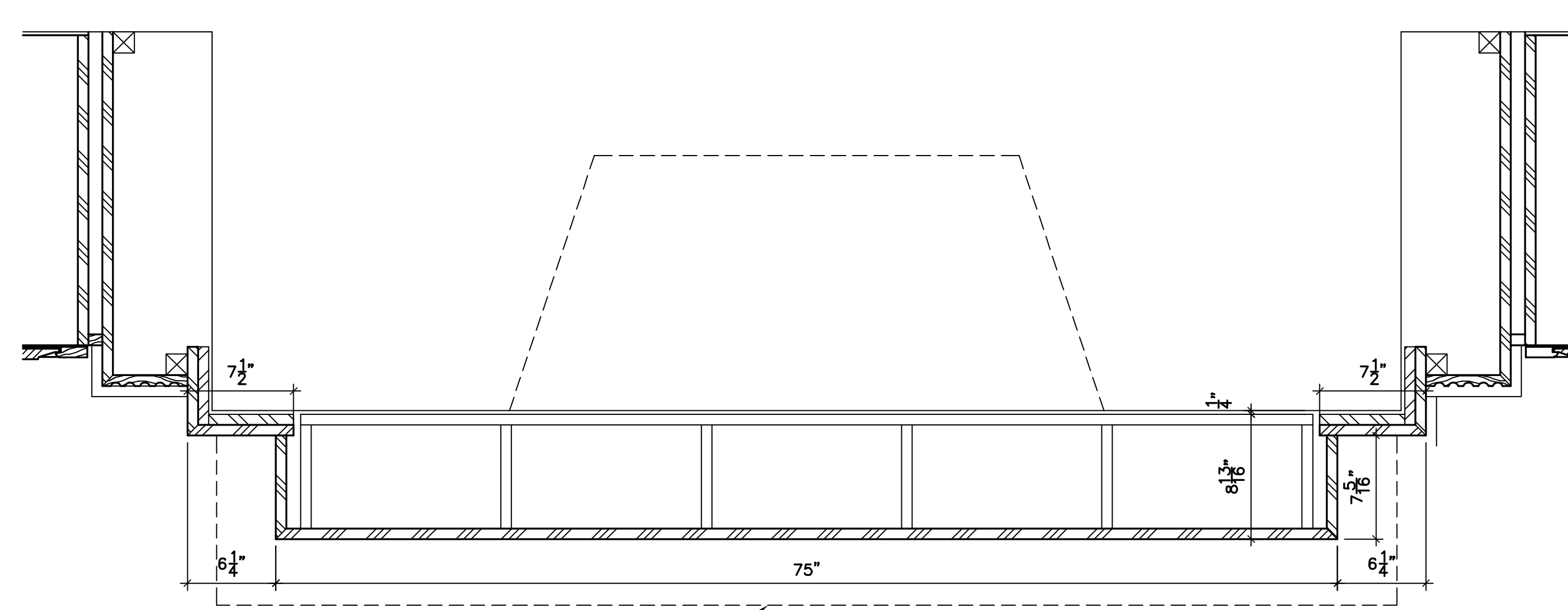
A HORIZONTAL SECTION
 1-1.2 SCALE: 1" = 1'-0"
 ARCH. REF:



B HORIZONTAL SECTION
 1-1.2 SCALE: 1" = 1'-0"
 ARCH. REF:



C HORIZONTAL SECTION
 1-1.2 SCALE: 1-1/2" = 1'-0"
 ARCH. REF:



D HORIZONTAL SECTION
 1-1.2 SCALE: 1-1/2" = 1'-0"
 ARCH. REF:

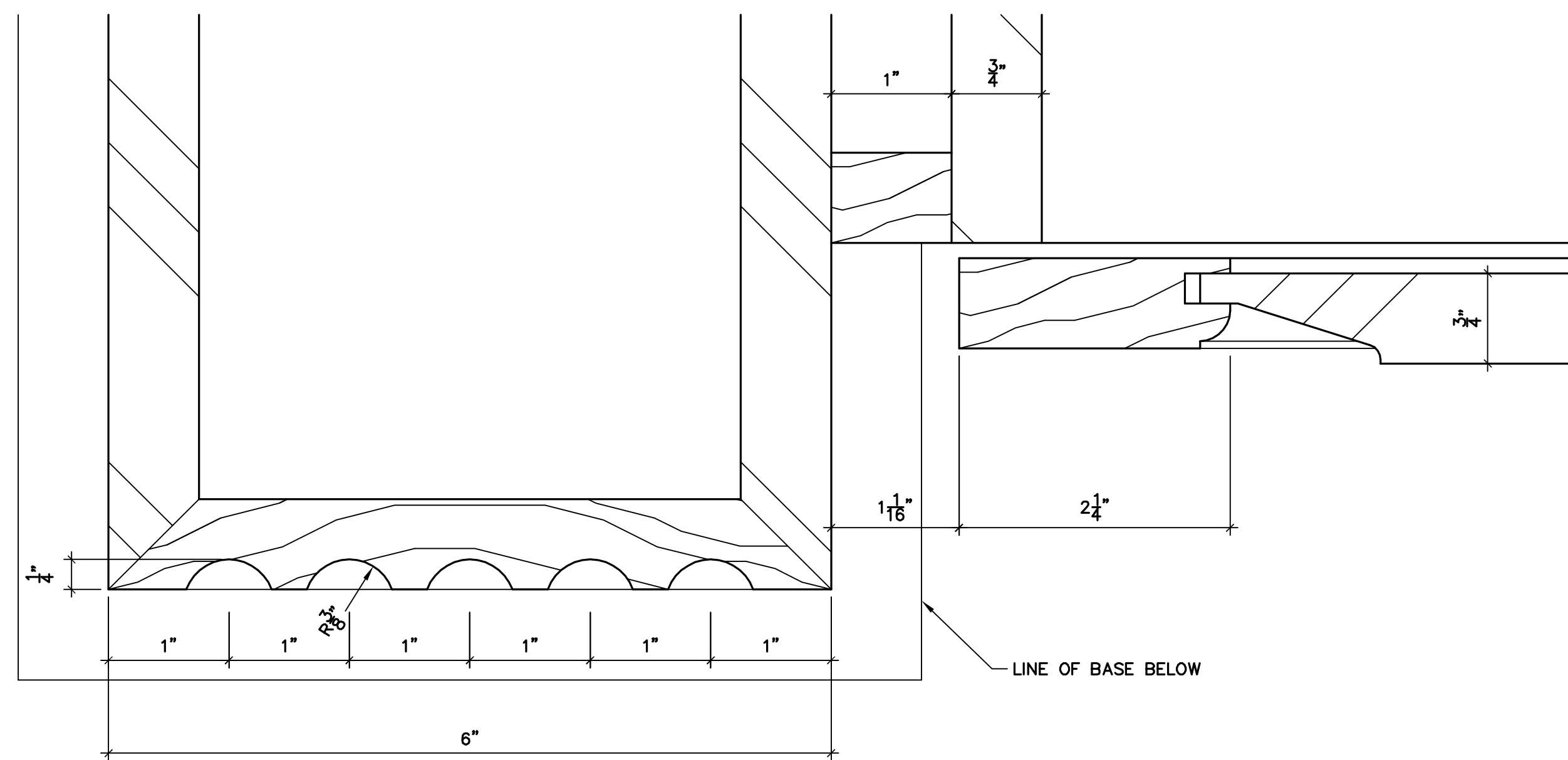
NOTES:

DOUBLE CHECK BY:	DATE:
FIELD LAYOUT BY:	DATE:
7.	
6.	
5.	
4.	
3.	
2.	
1.	
REVISIONS:	

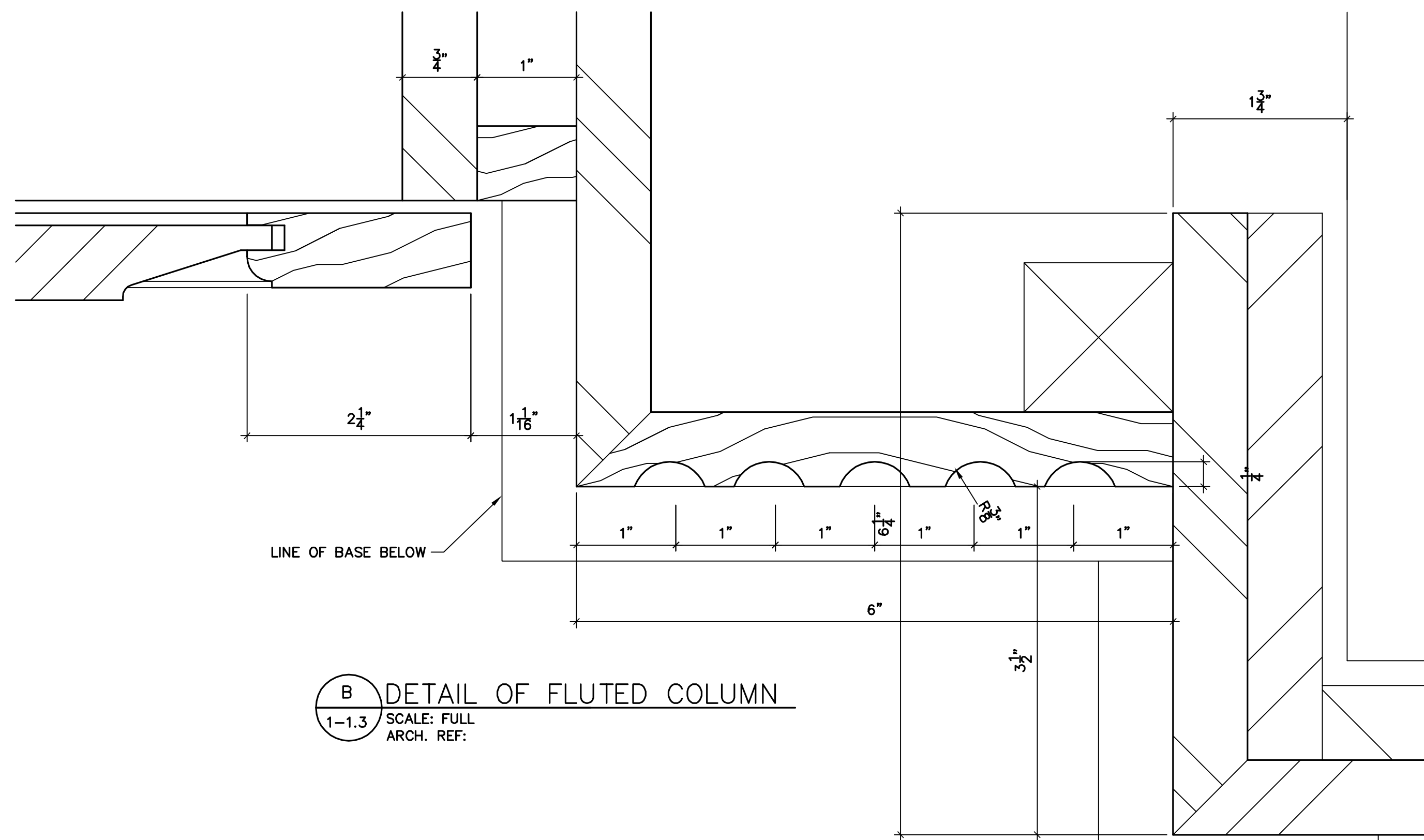
JOB NAME:

DRAWING NAME:
HORIZONTAL SECTIONS

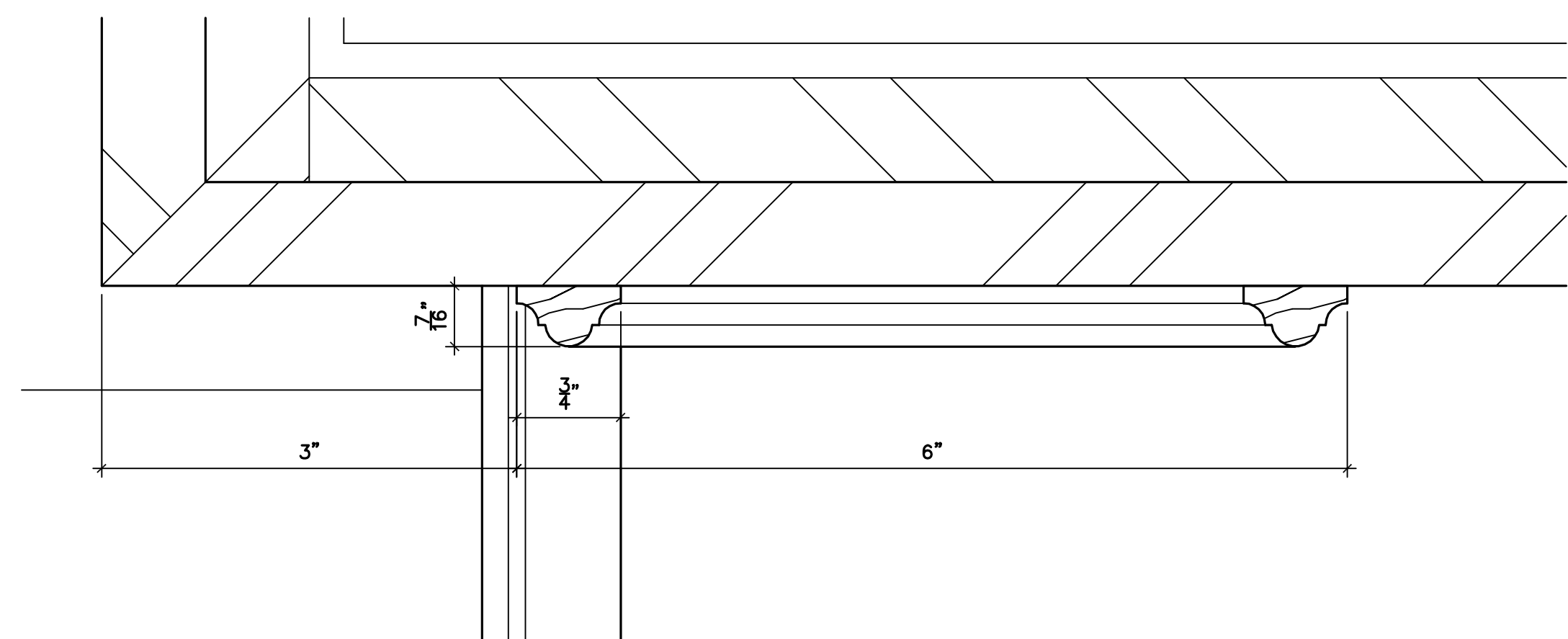
DRAWN BY: TM	DRAWING DATE: 08/02/05
JOB NO.	DRAWING NO. 1-1.2



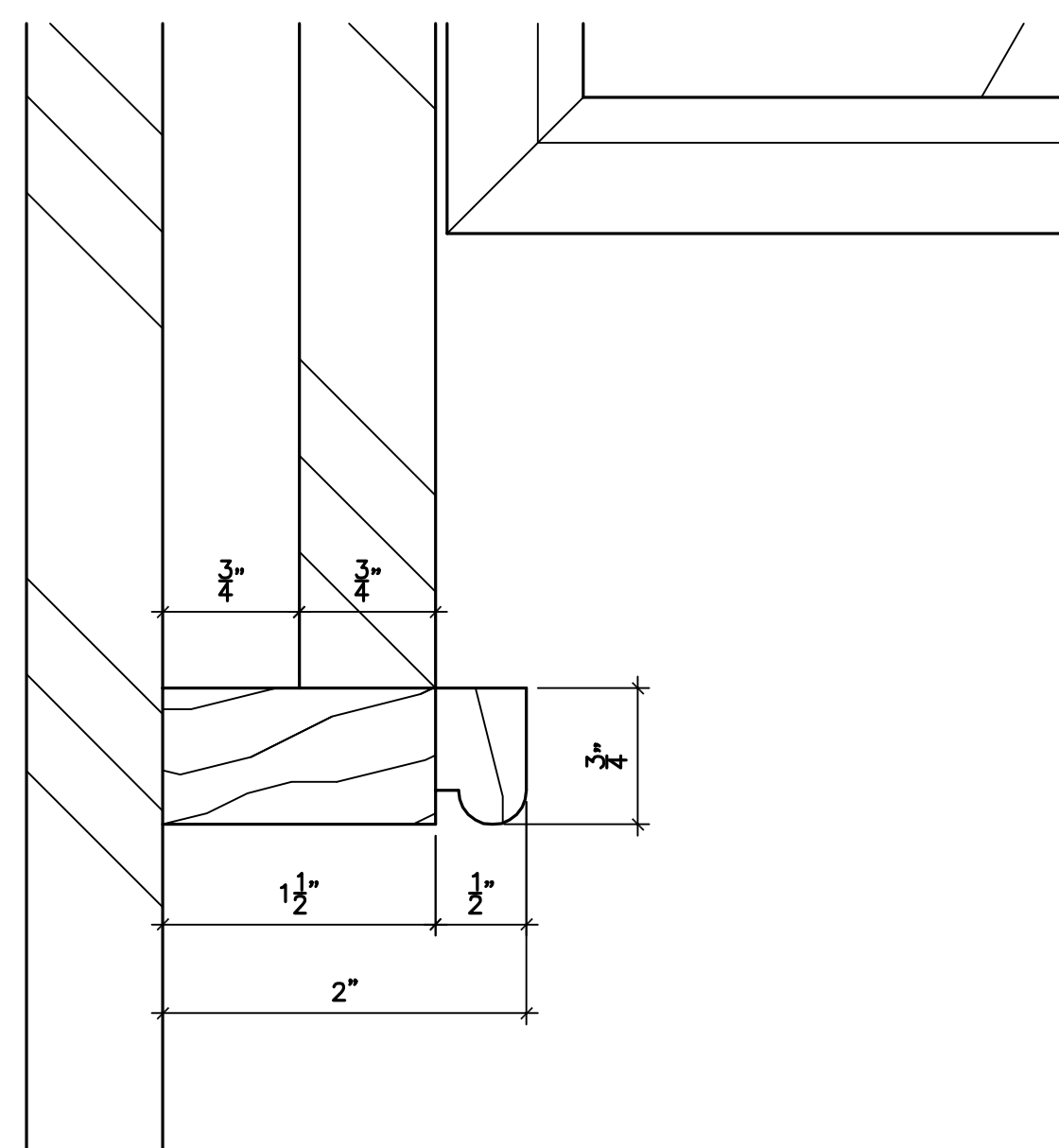
A DETAIL OF FLUTED COLUMN
 1-1.3 SCALE: FULL
 ARCH. REF:



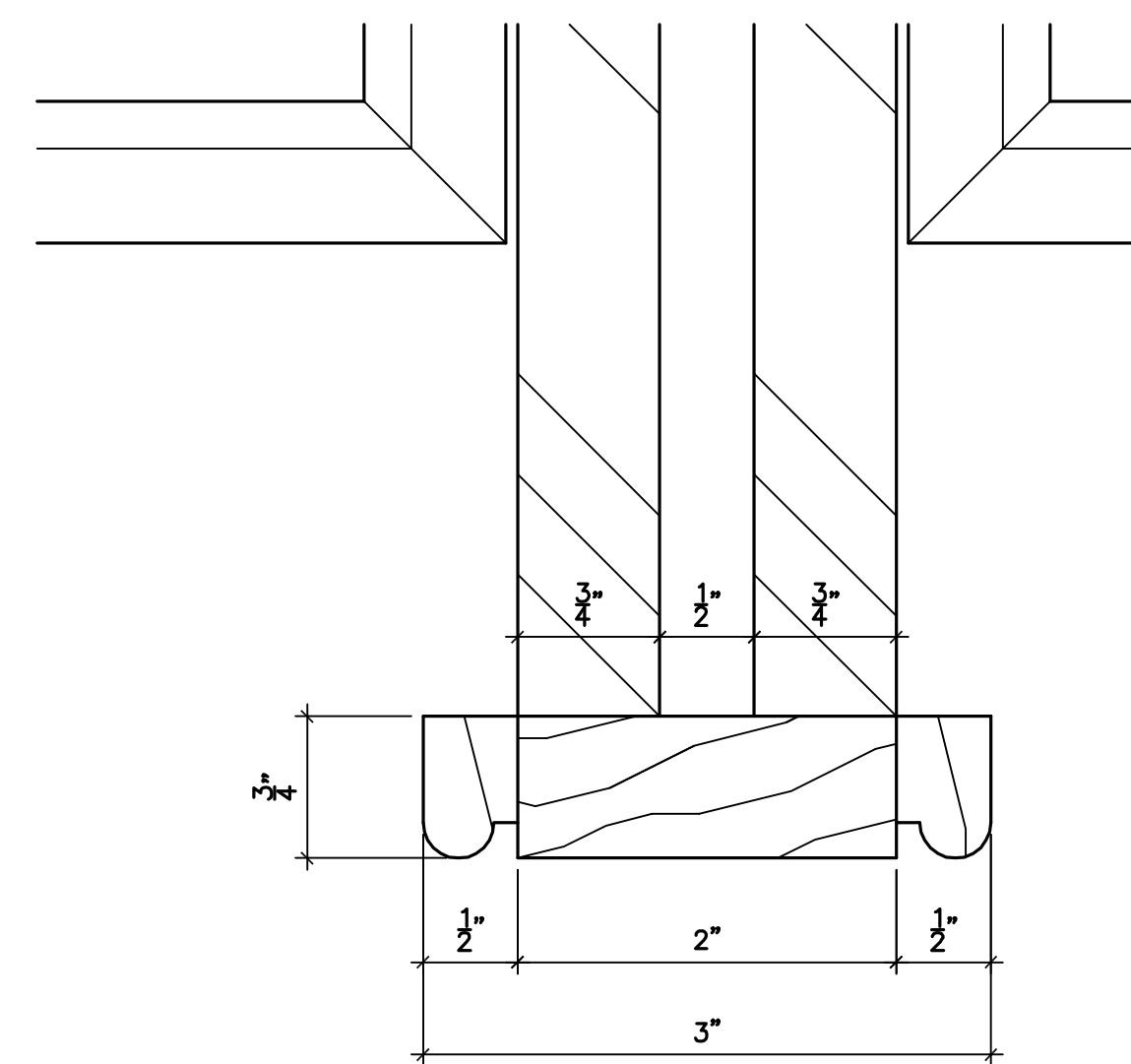
B DETAIL OF FLUTED COLUMN
 1-1.3 SCALE: FULL
 ARCH. REF:



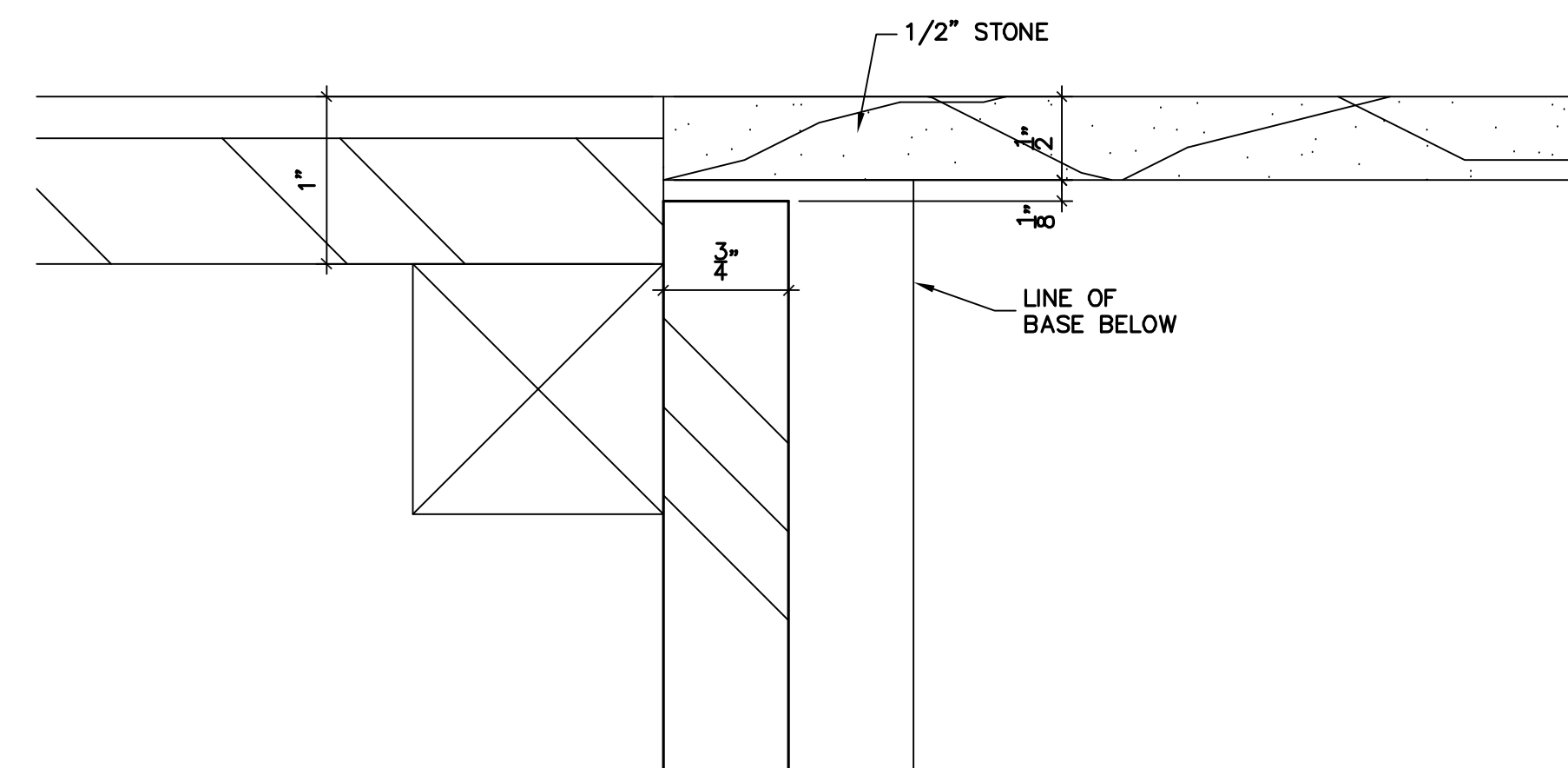
F DETAIL AT APPLIED MOLDING
 1-1.3 SCALE: FULL
 ARCH. REF:



D DETAIL AT UPPER CABINET
 1-1.3 SCALE: FULL
 ARCH. REF:



E DETAIL AT UPPER CABINET
 1-1.3 SCALE: FULL
 ARCH. REF:



C DETAIL AT FIRE BOX
 1-1.3 SCALE: FULL
 ARCH. REF:

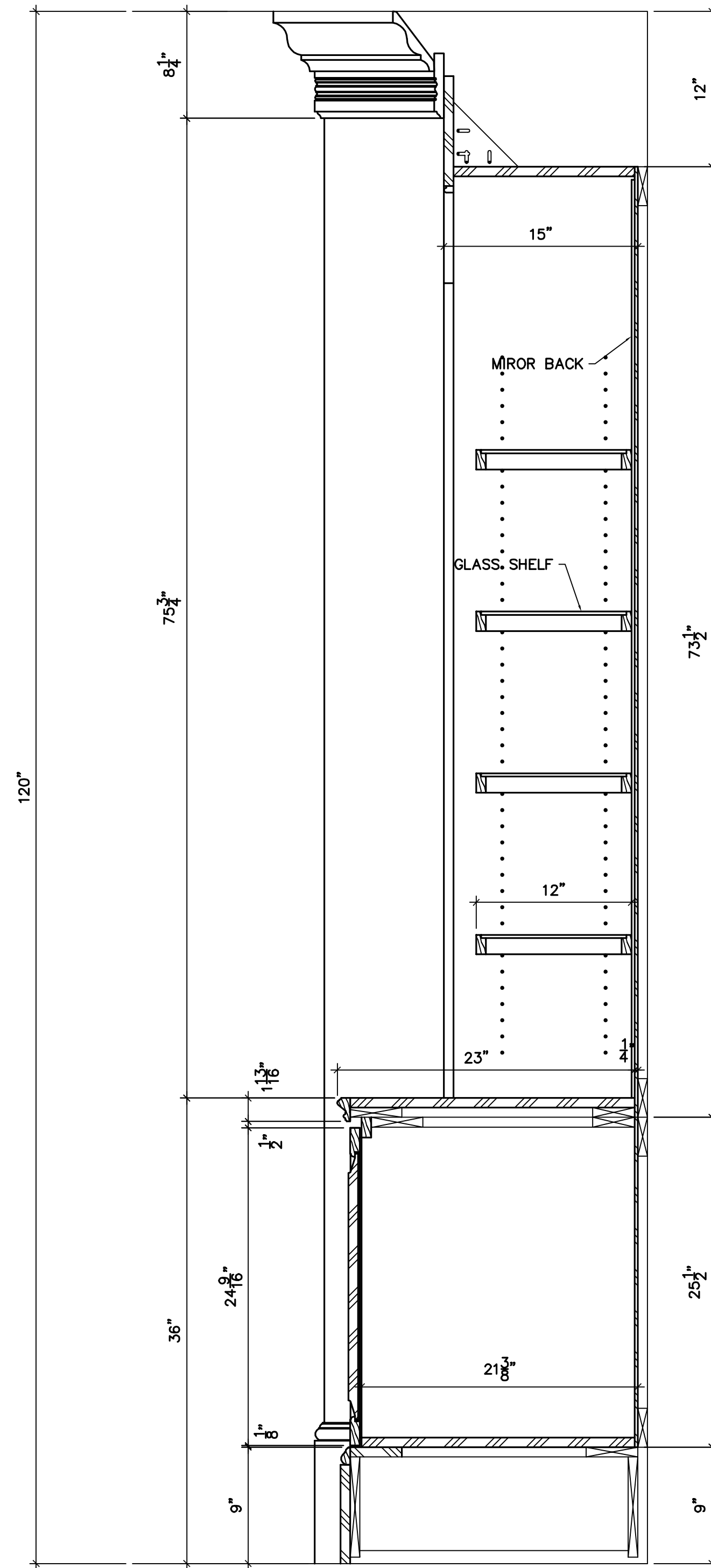
NOTES:

DOUBLE CHECK BY:	DATE:
FIELD LAYOUT BY:	DATE:
7.	
6.	
5.	
4.	
3.	
2.	
1.	
REVISIONS:	

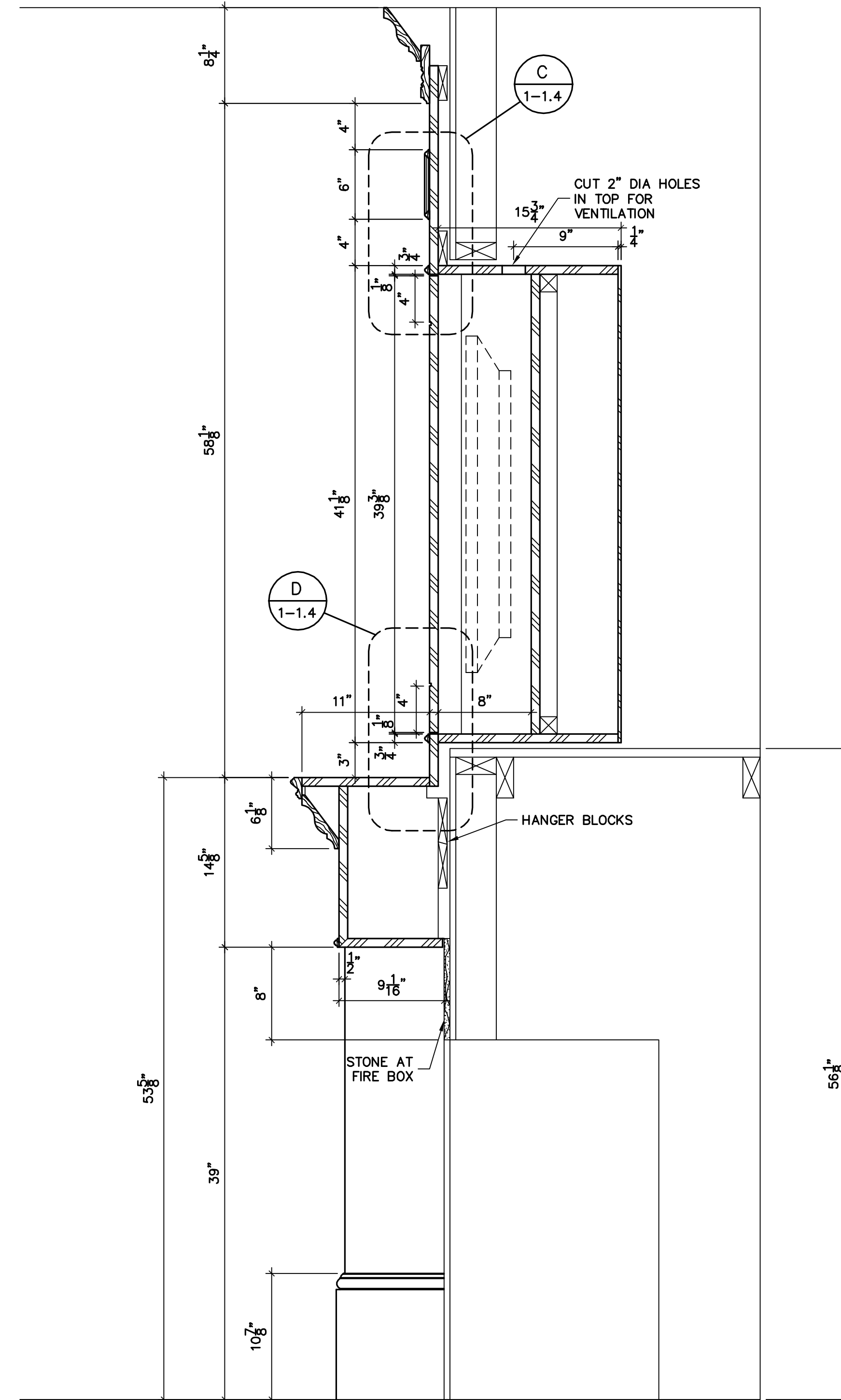
JOB NAME:

DRAWING NAME:
 LARGE SCALE
 DETAILS

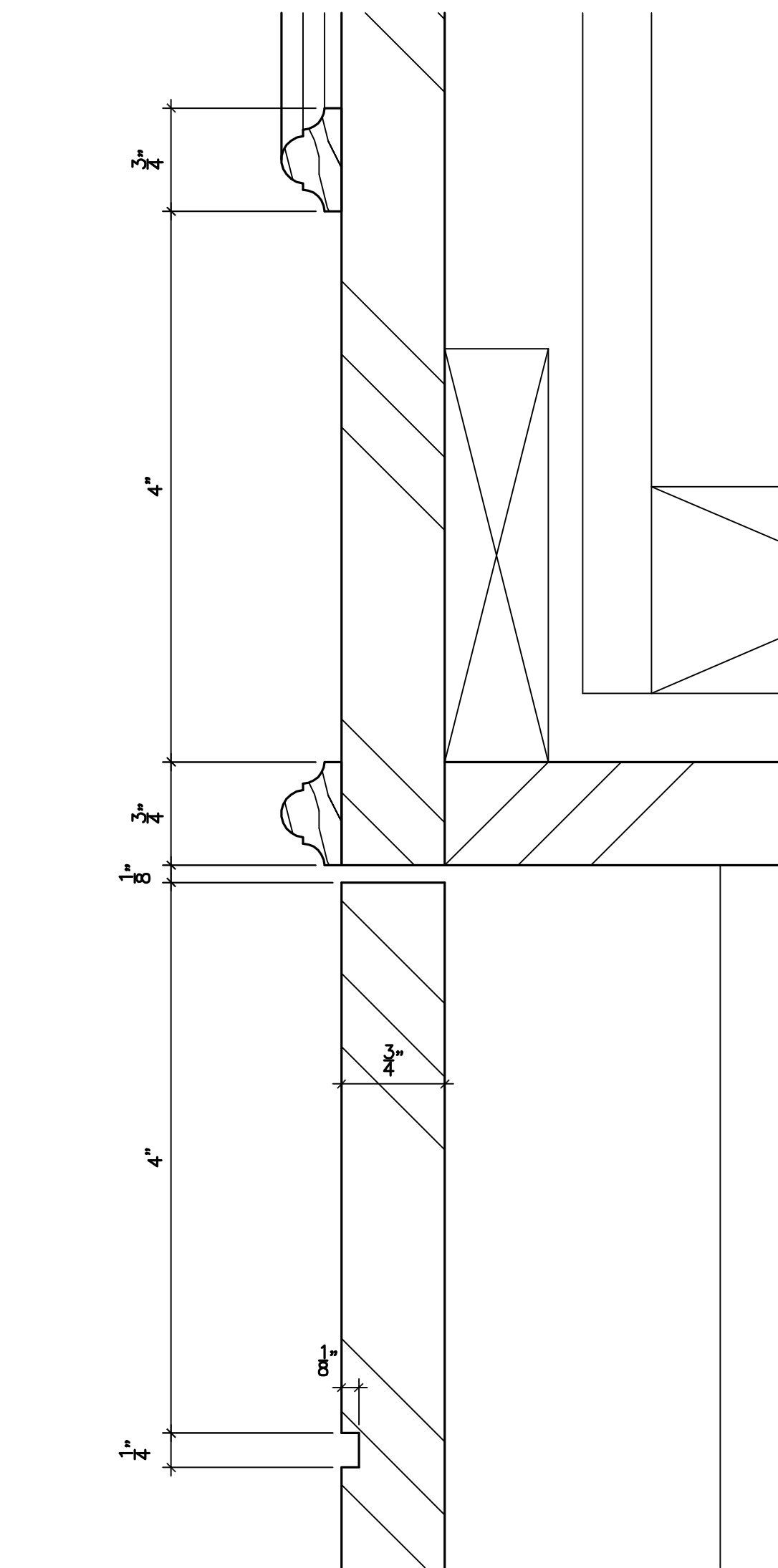
DRAWN BY: TM	DRAWING DATE: 08/02/05
JOB NO.	DRAWING NO. 1-1.3



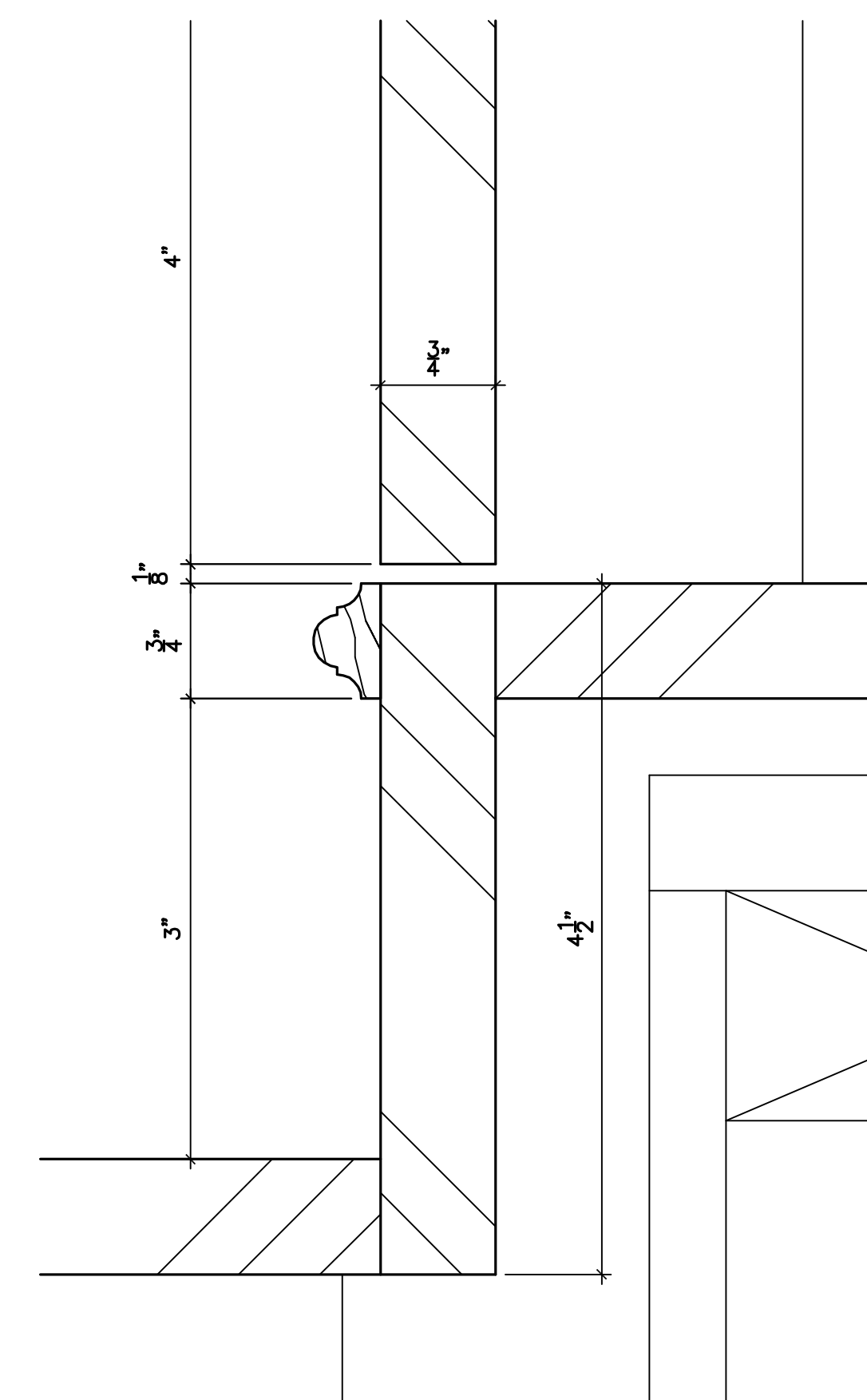
A VERTICAL SECTION
 1-1.4 SCALE: 1-1/2" = 1'-0"
 ARCH. REF:



B VERTICAL SECTION
 1-1.4 SCALE: 1-1/2" = 1'-0"
 ARCH. REF:



C MOLDING DETAILS
 1-1.4 SCALE: FULL
 ARCH. REF:



D MOLDING DETAILS
 1-1.4 SCALE: FULL
 ARCH. REF:

NOTES:

NOTES:

DOUBLE CHECK BY: DATE:

FIELD LAYOUT BY: DATE:

NO.	REVISIONS:
7.	
6.	
5.	
4.	
3.	
2.	
1.	

JOB NAME:

DRAWING NAME:
 VERTICAL SECTIONS

DRAWN BY: TM
 JOB NO. 1-1.4

DRAWING DATE: 08/02/05
 DRAWING NO. 1-1.4