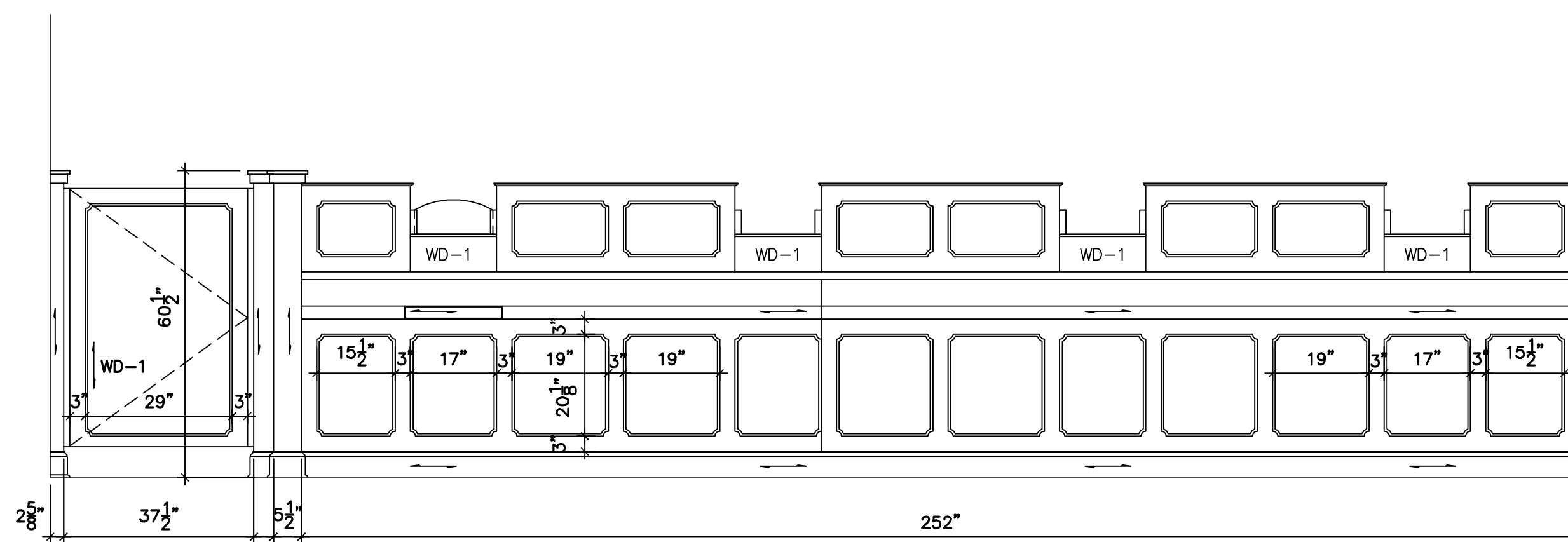
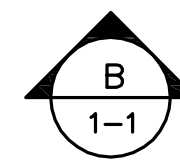
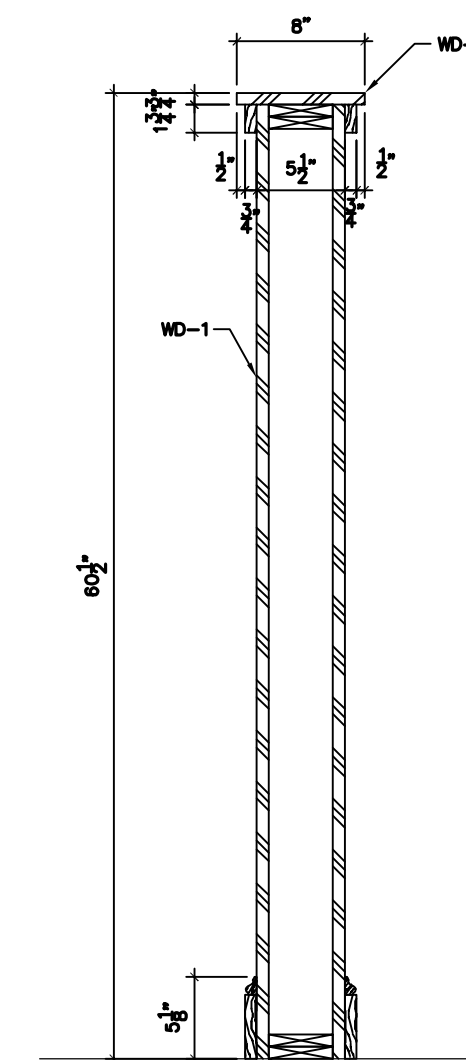


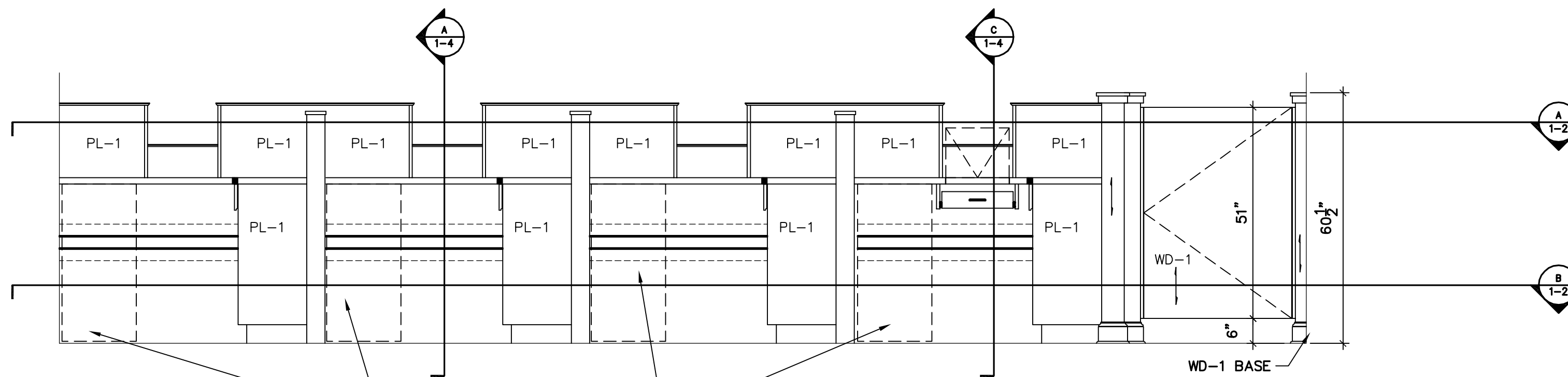
A PLAN OF TELLER LINE
 1-1 SCALE: 1/2" = 1'-0"
 ARCH. REF:



B ELEVATION: TELLER LINE
 1-1 SCALE: 1/2" = 1'-0"
 ARCH. REF:

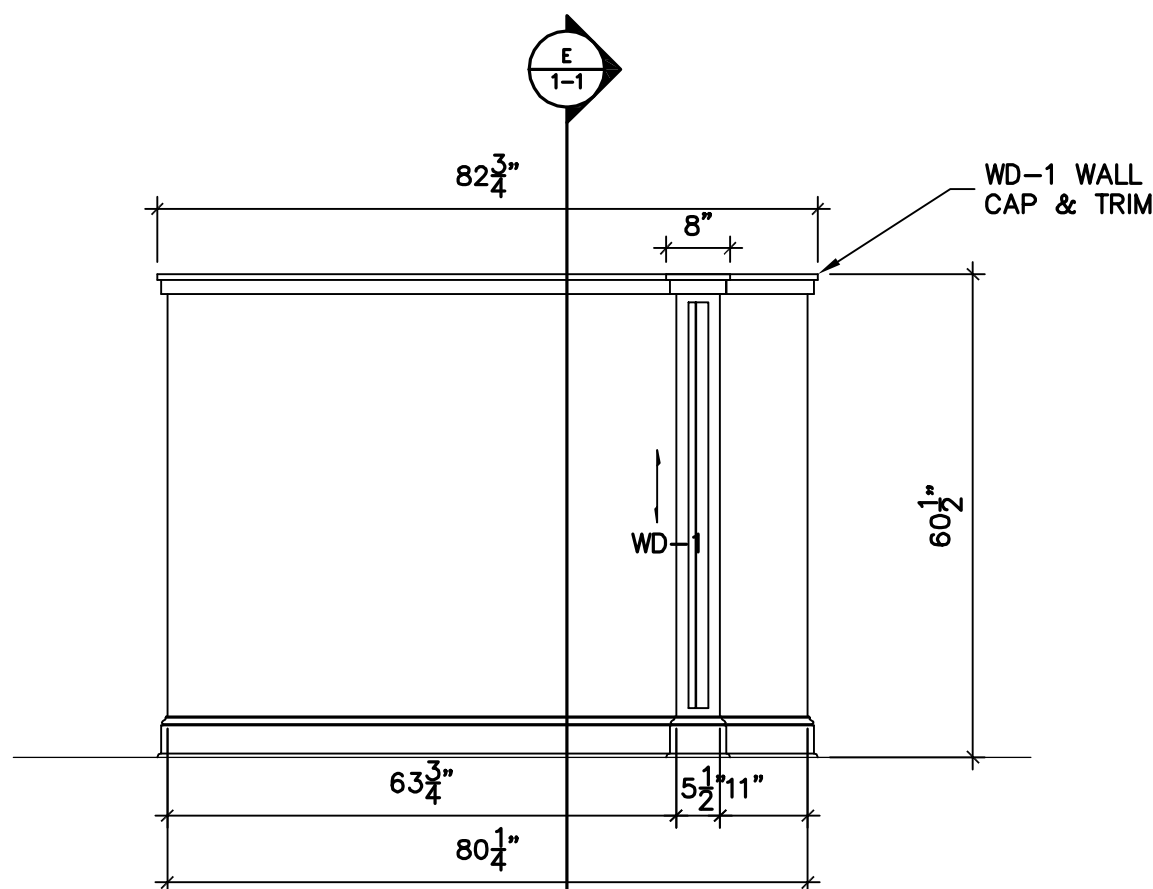


E VERTICAL SECTION
 1-1 SCALE: 1" = 1'-0"
 ARCH. REF:

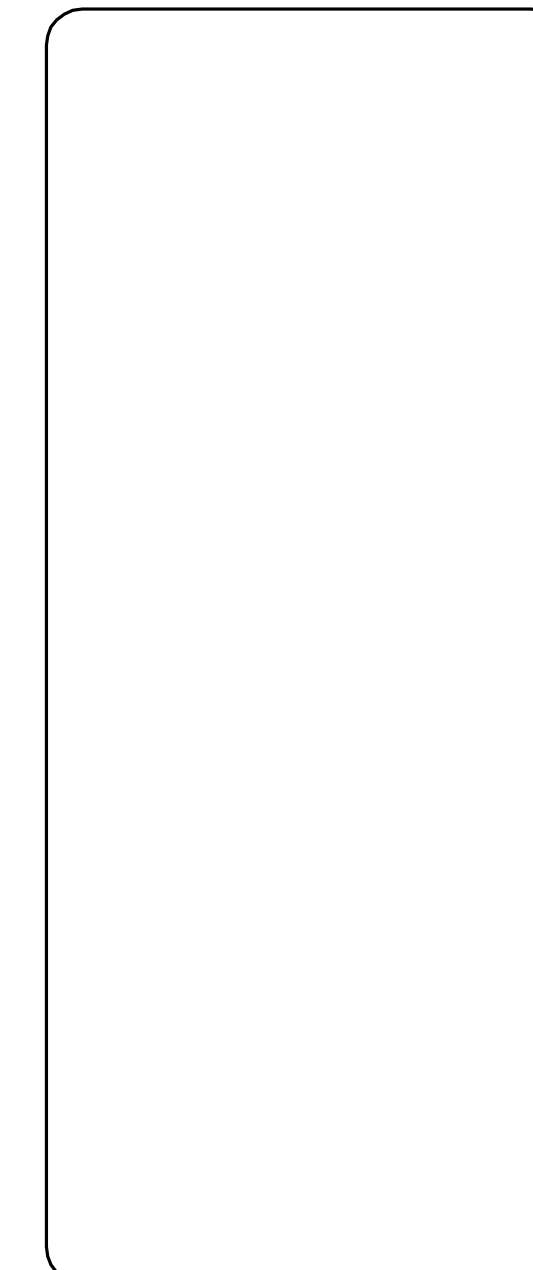
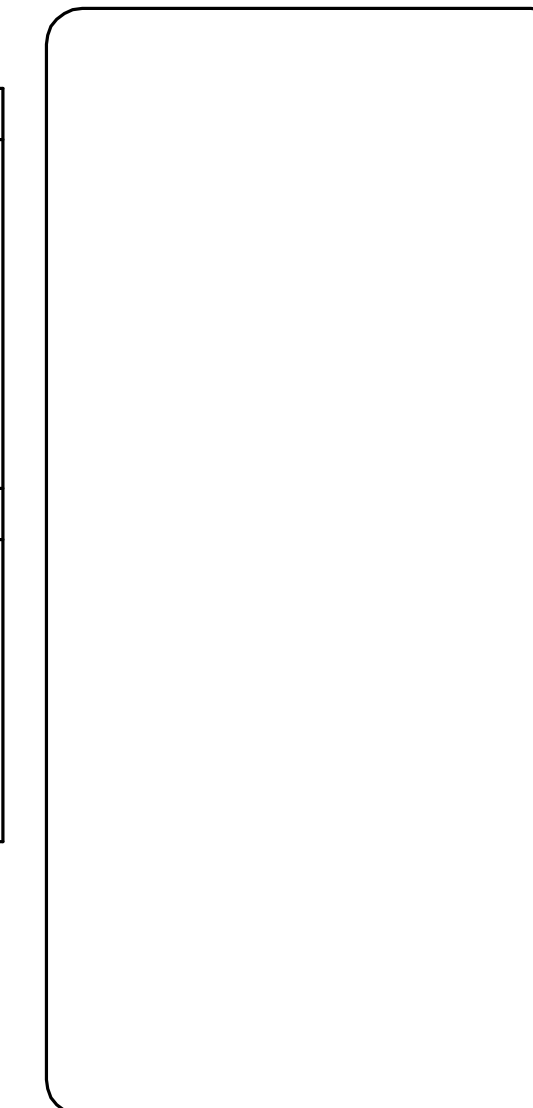


D ELEVATION
 1-1 SCALE: 1/2" = 1'-0"
 ARCH. REF:

FINISHES:	
PL-1:	NEVAMAR #KH2001T "MARRAKESH EXPRESS"
SS-3:	STARON #TS-345 "TALOUS SANDBAR"
WD-1:	MAPLE VENEER OR SOLID STAINED TO MATCH APPROVED SAMPLE
NOTE: ALL CABINET INTERIORS TO BE WHITE MELAMINE UNLESS OTHERWISE NOTED.	
CABINET HARDWARE:	
HINGES: SALICE 125° CONCEALED SELF CLOSING	
DRAWER SLIDES: 16" GRASS METABOX	
PULLS : HAFELE #116.39.553	
GROMMETS: HAFELE #631.26.301 2 3/4" (2 3/8" hole)	



C ELEVATION: END WALL
 1-1 SCALE: 1/2" = 1'-0"
 ARCH. REF:

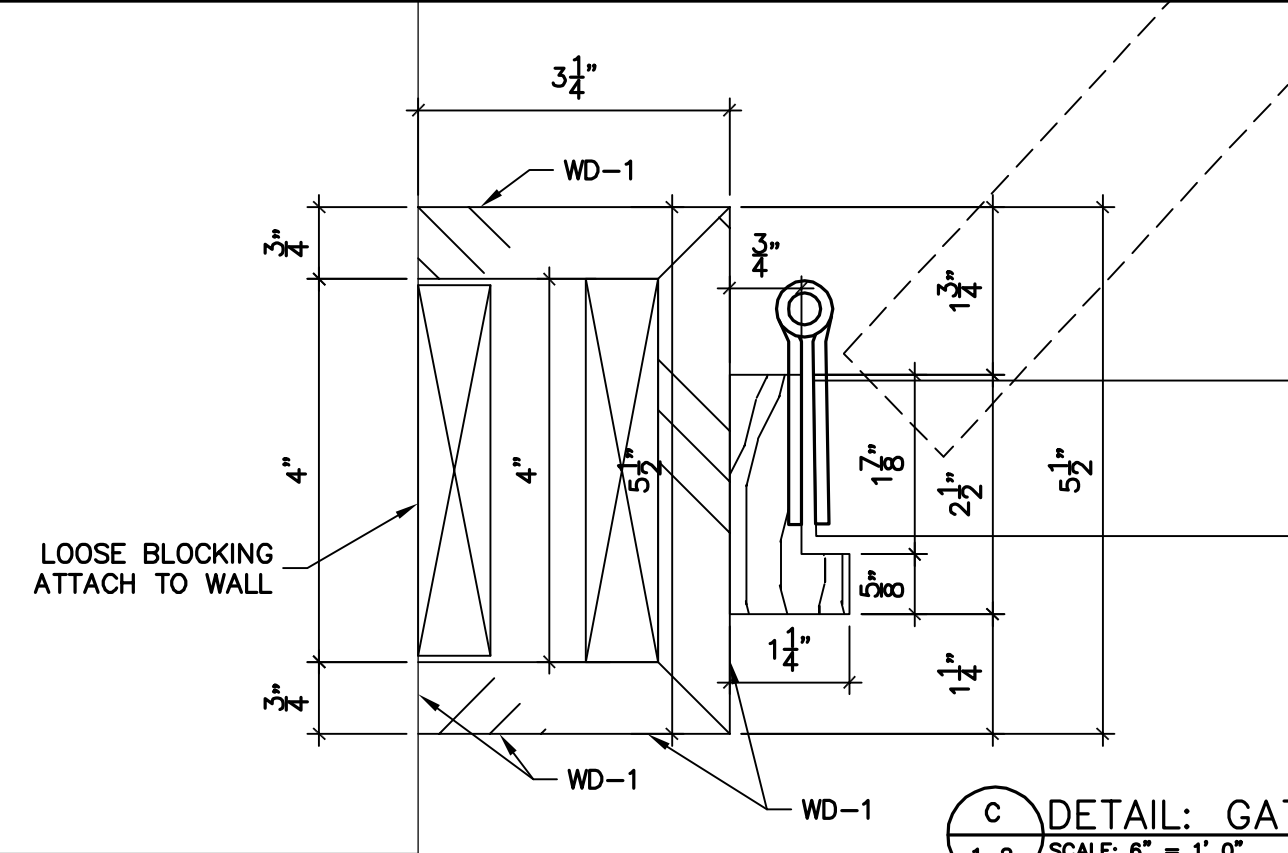


REVISIONS	BY
08/05/08	MM

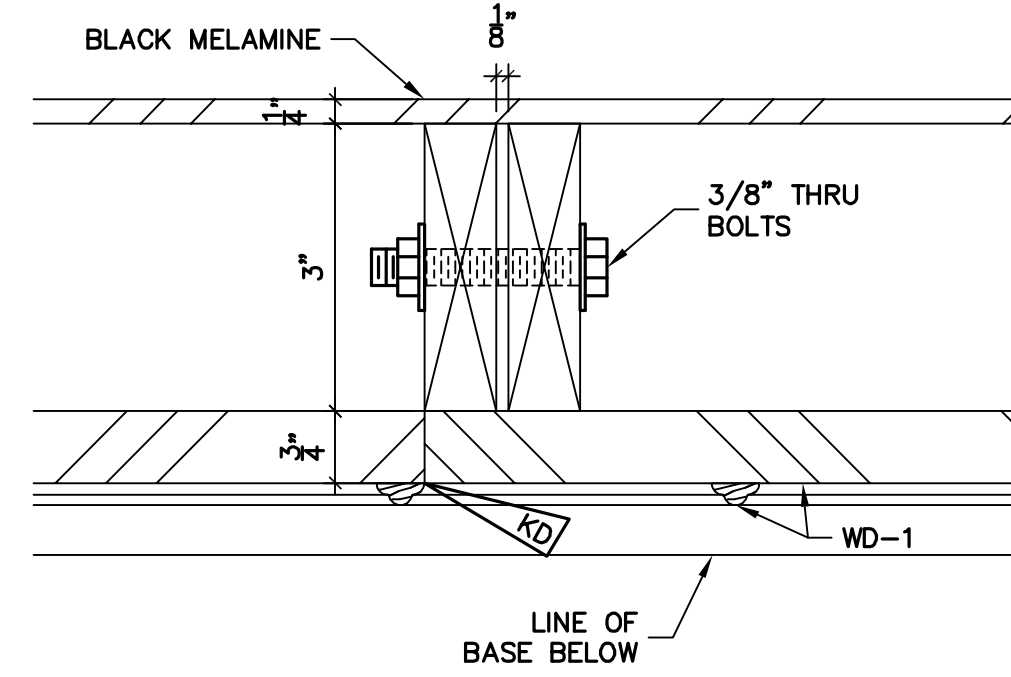
JOB#

DRAWN BY:	DATE
MM	07/30/08

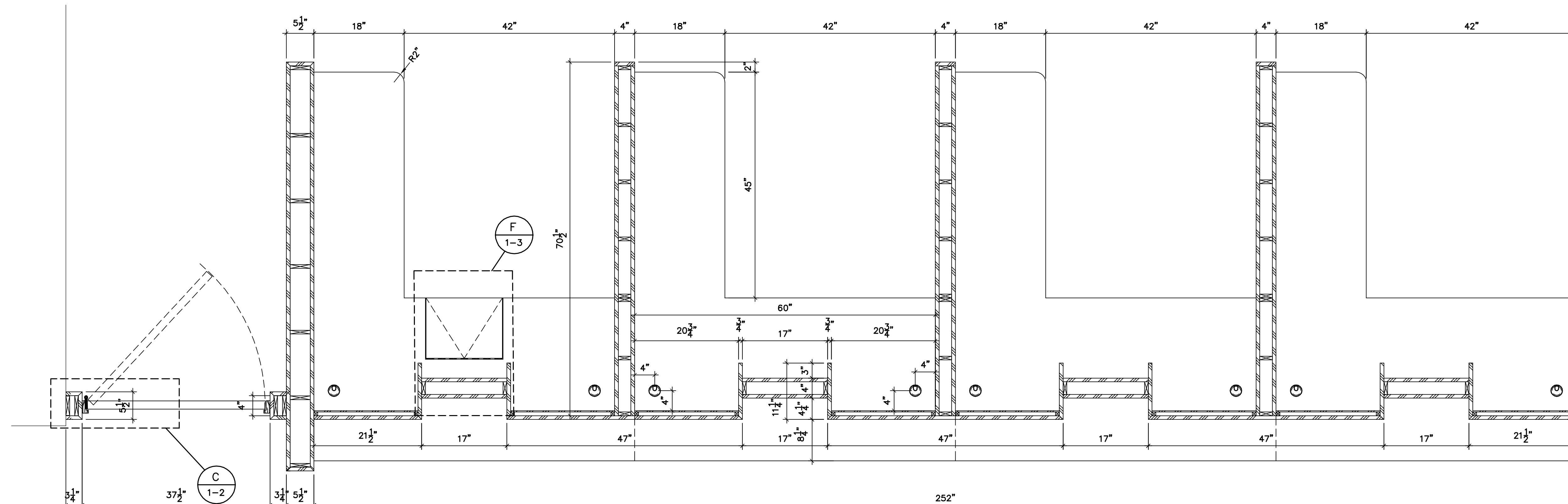
Job Name:



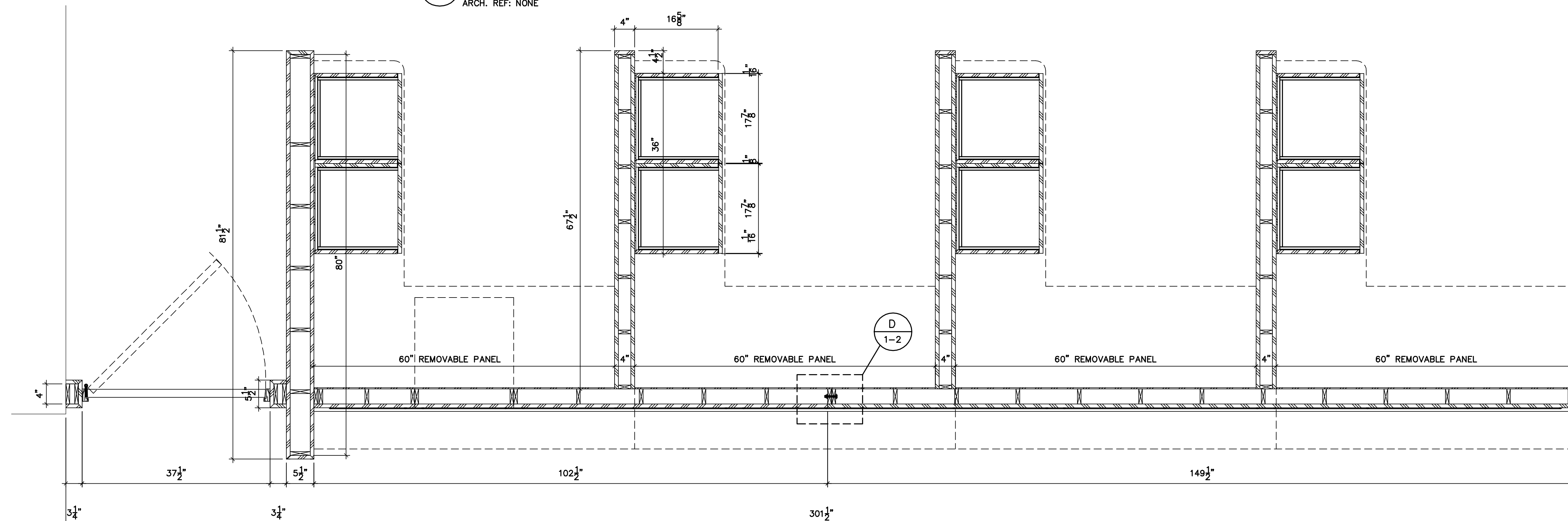
C DETAIL: GATE
 1-2 SCALE: 8" = 1'-0"
 ARCH. REF:



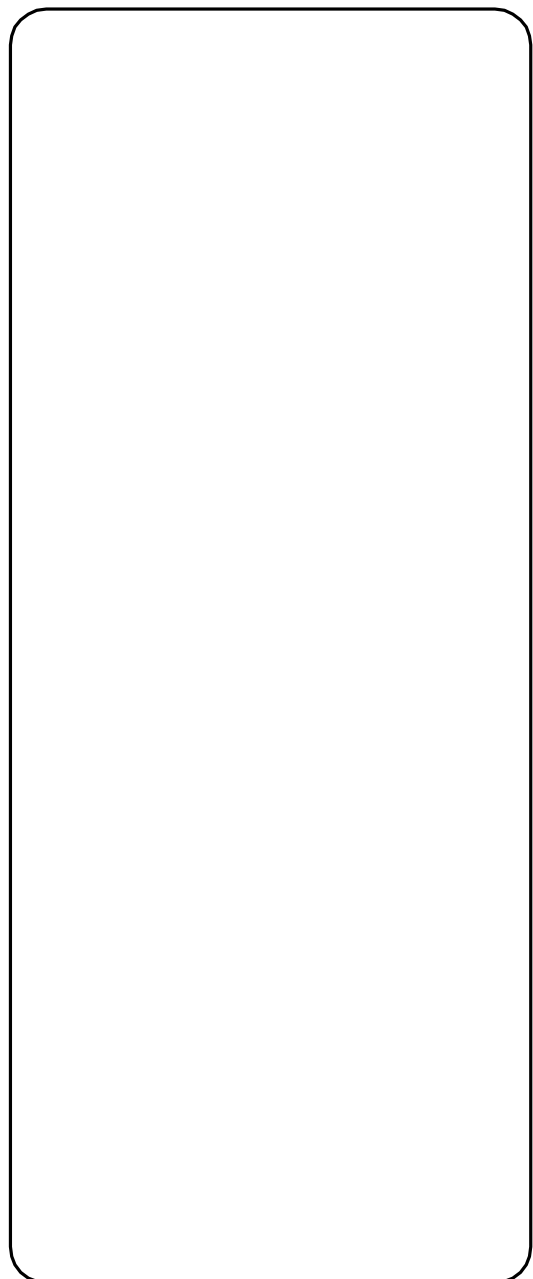
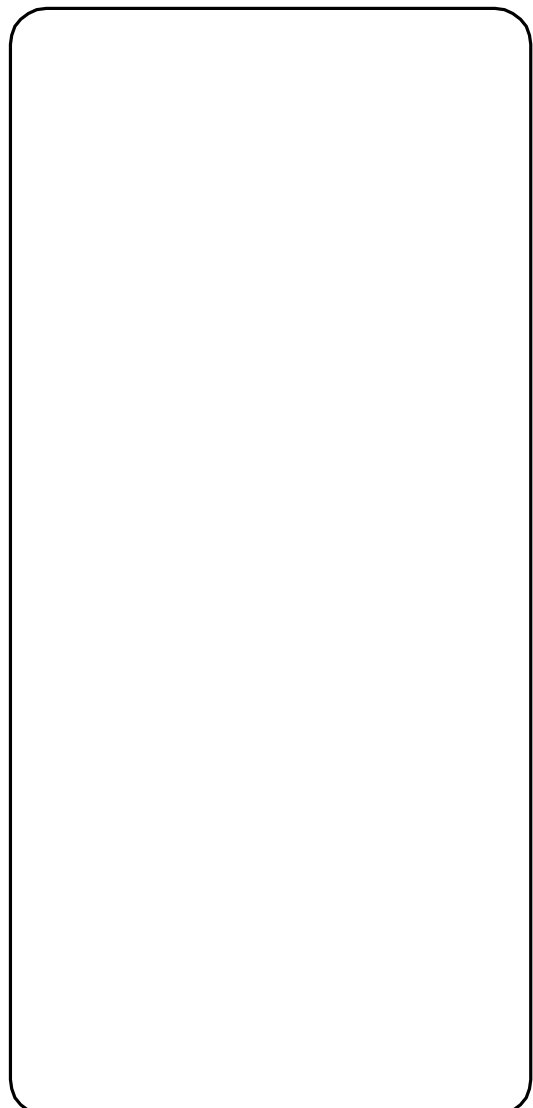
D DETAIL
 1-2 SCALE: 8" = 1'-0"
 ARCH. REF:



A HORIZONTAL SECTION
 1-2 SCALE: 1" = 1'-0"
 ARCH. REF: NONE



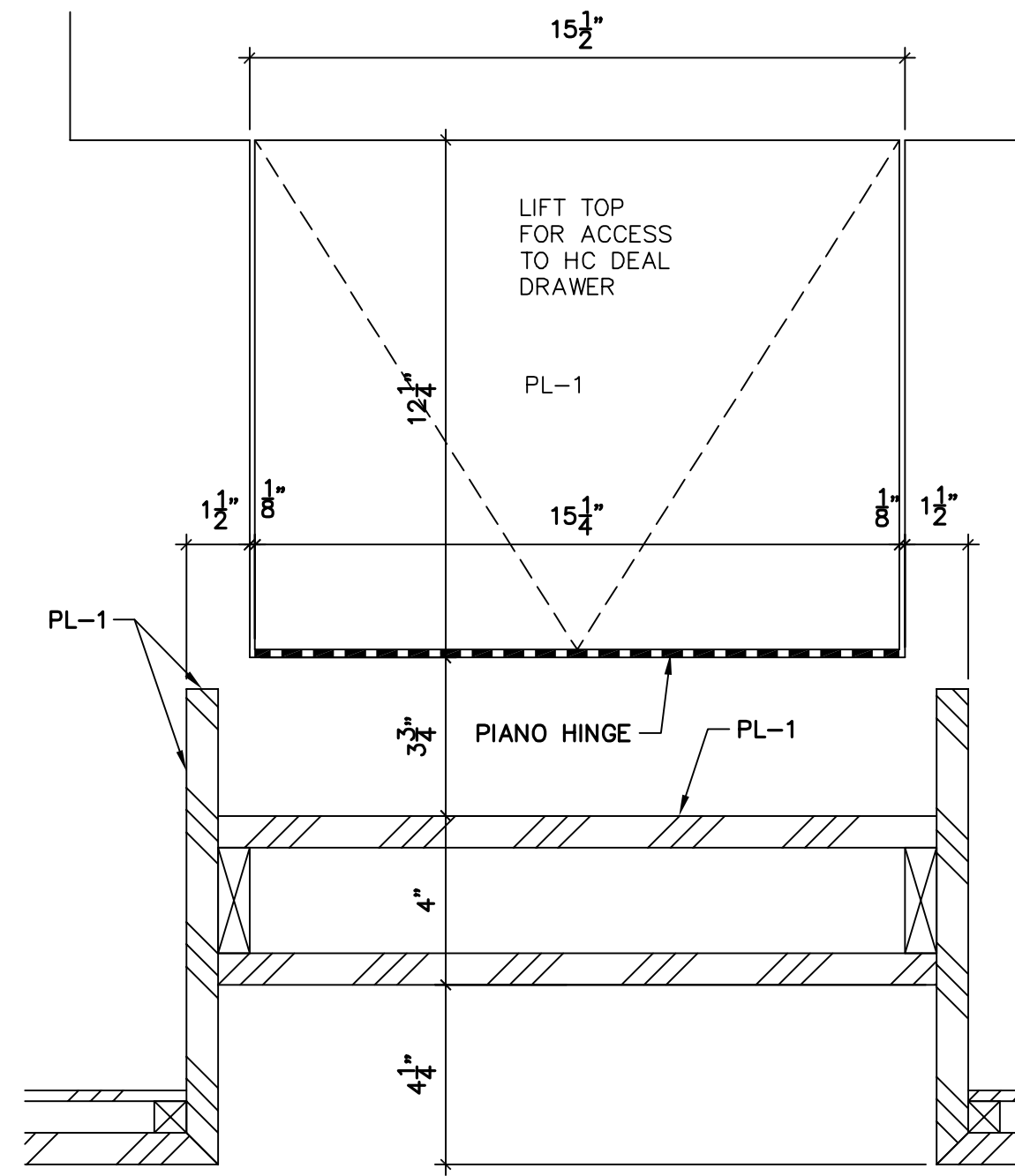
B HORIZONTAL SECTION
 1-2 SCALE: 1" = 1'-0"
 ARCH. REF: NONE



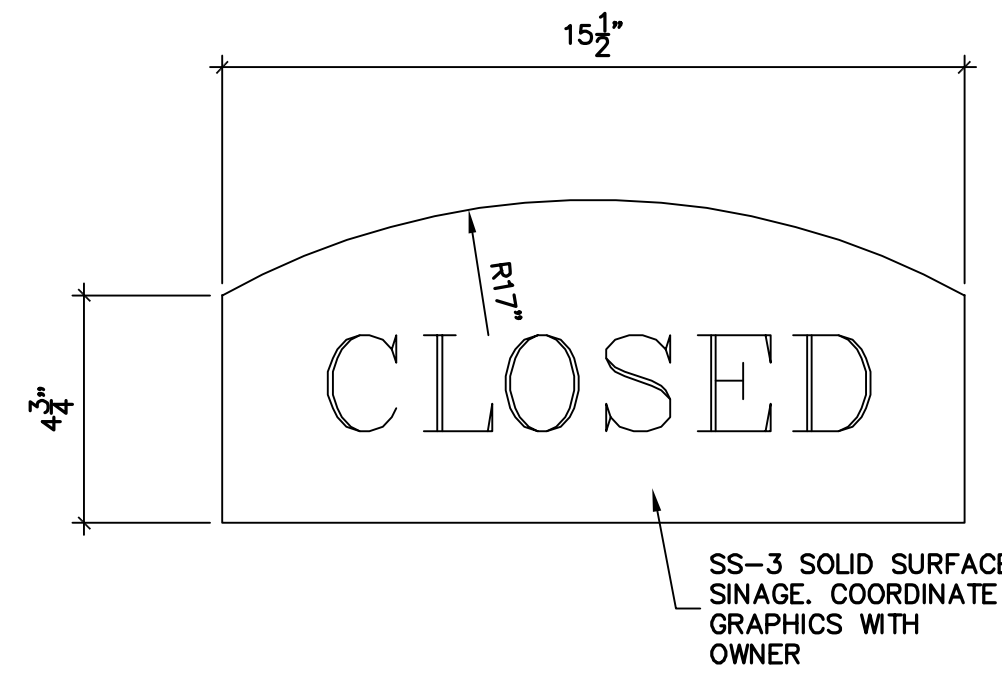
REVISIONS	BY
08/05/08	MM
08/14/08	MM
JOB#	
DRAWN BY: DATE	
MM	07/30/08

Job Name:

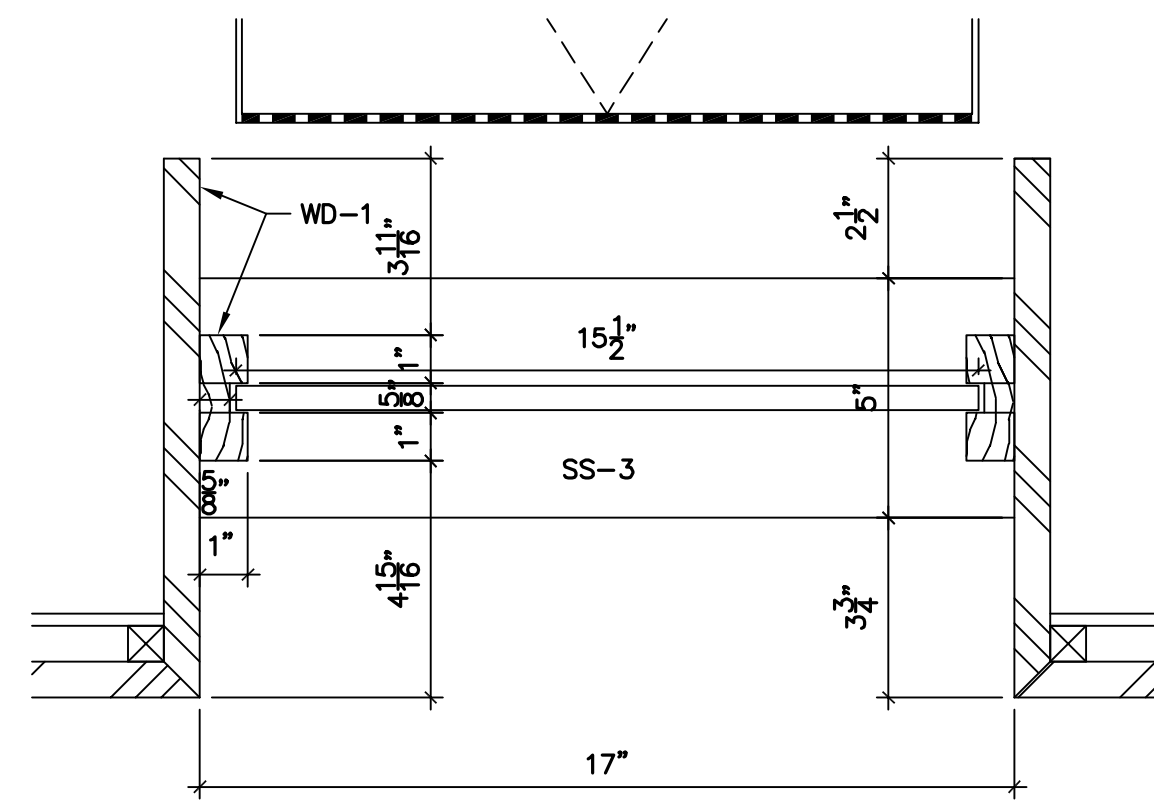
PAGE:
1-2



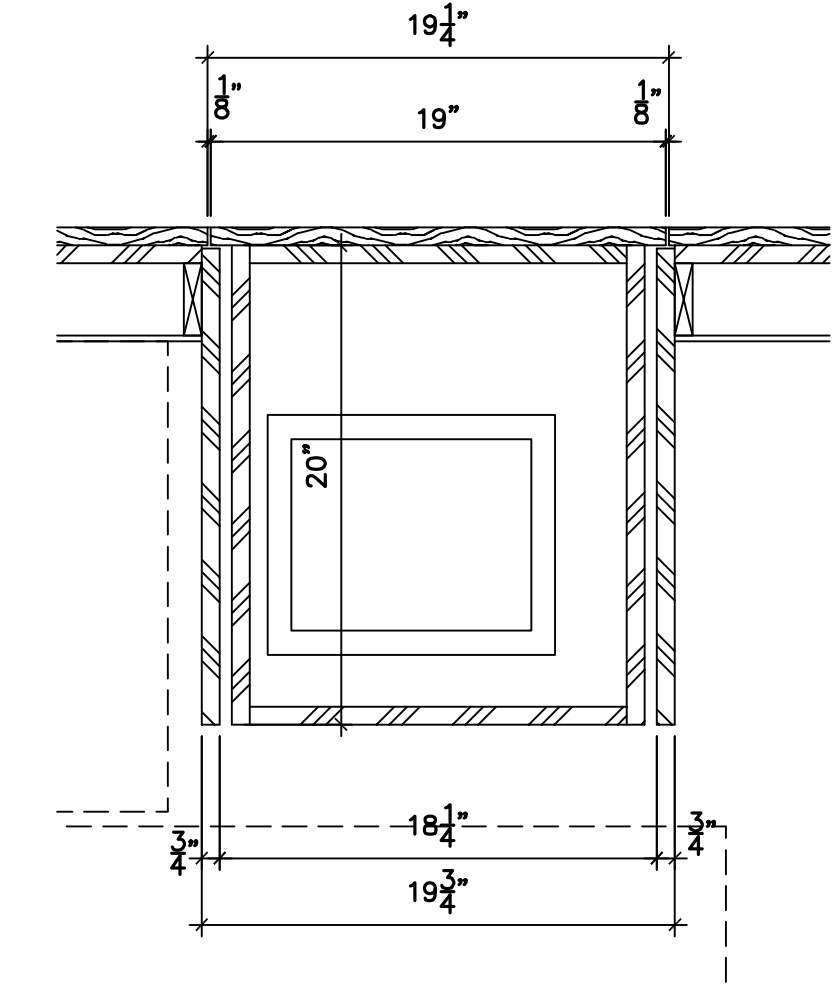
F DETAIL: LIFT TOP
 1-3 SCALE: 3" = 1'-0"
 ARCH. REF:



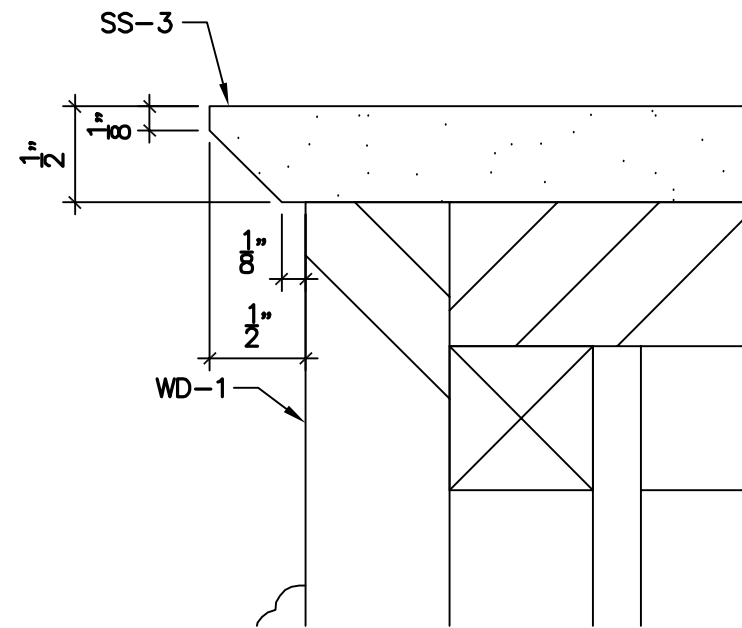
I SINAGE DETAIL
 1-3 SCALE: 3" = 1'-0"
 ARCH. REF: 5/A901



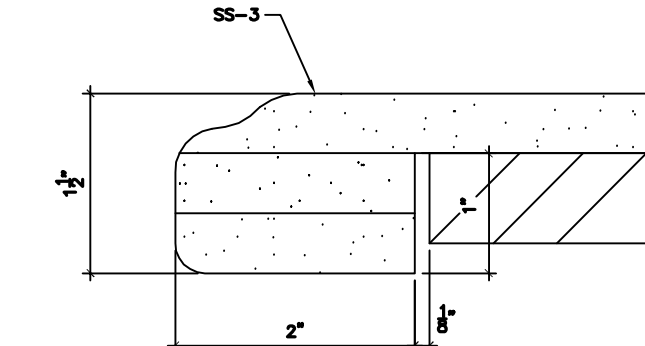
J HORIZONTAL SECTION
 1-3 SCALE: 3" = 1'-0"
 ARCH. REF: 4, 7/A901



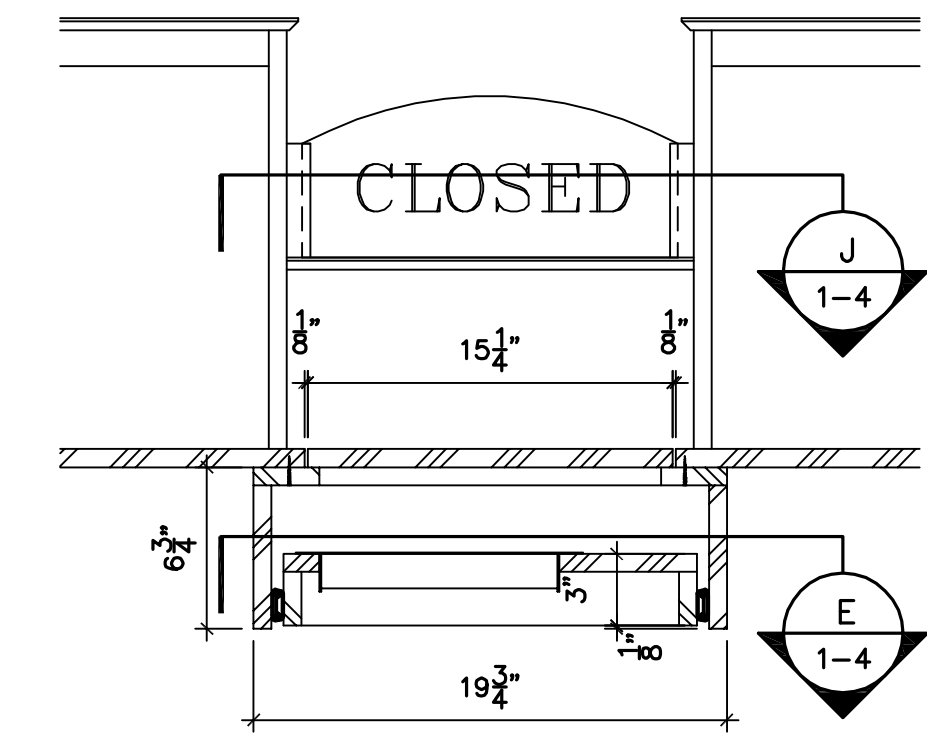
E HORIZONTAL SECTION
 1-3 SCALE: 1-1/2" = 1'-0"
 ARCH. REF: NONE



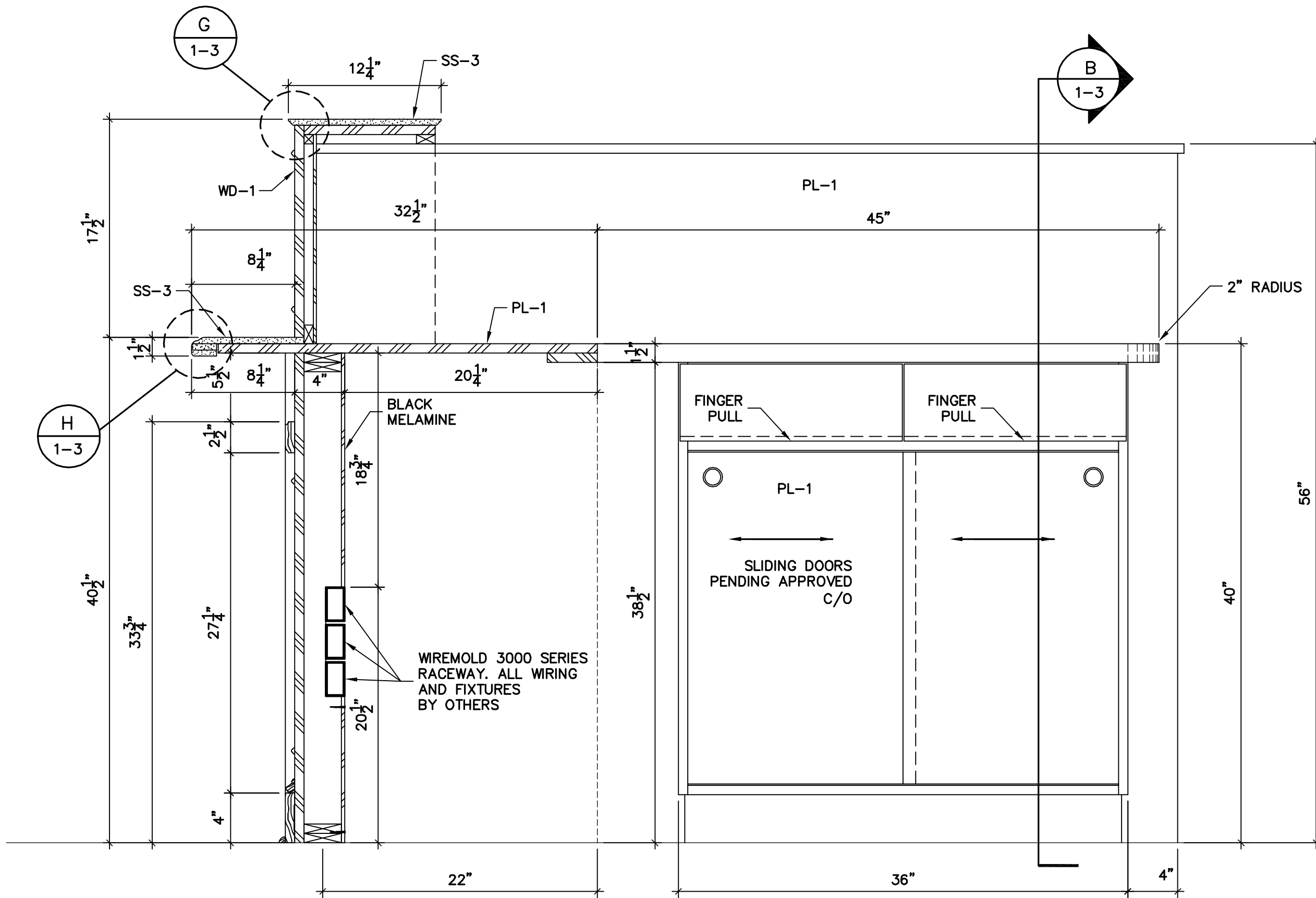
G TOP EDGE DETAIL
 1-3 SCALE: FULL
 ARCH. REF: NONE



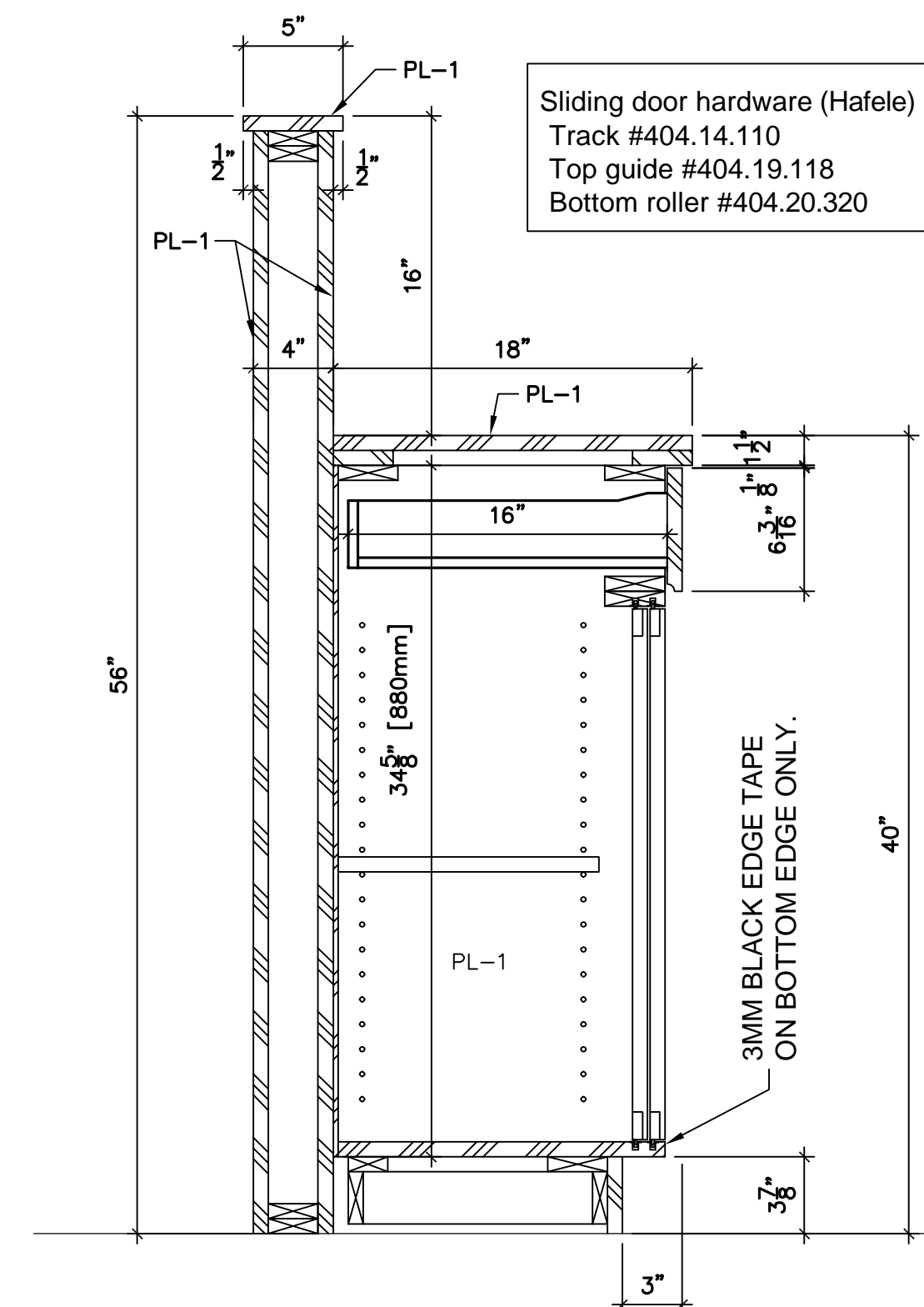
H TOP EDGE DETAIL
 1-3 SCALE: FULL
 ARCH. REF: NONE



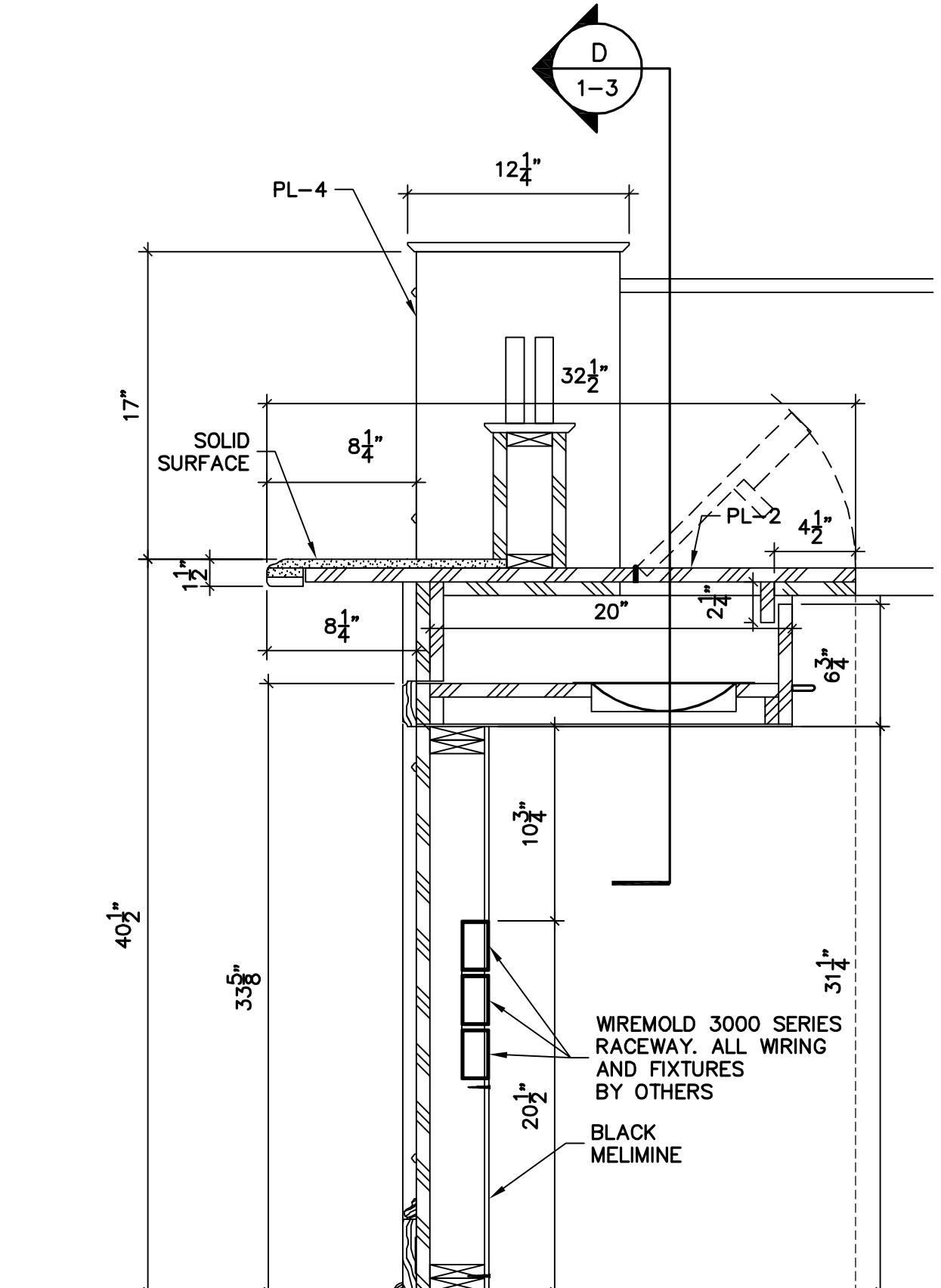
D VERTICAL SECTION
 1-3 SCALE: 1-1/2" = 1'-0"
 ARCH. REF: NONE



A VERTICAL SECTION
 1-3 SCALE: 1-1/2" = 1'-0"
 ARCH. REF: 4/A901



B VERTICAL SECTION
 1-3 SCALE: 1-1/2" = 1'-0"
 ARCH. REF: 5/A901

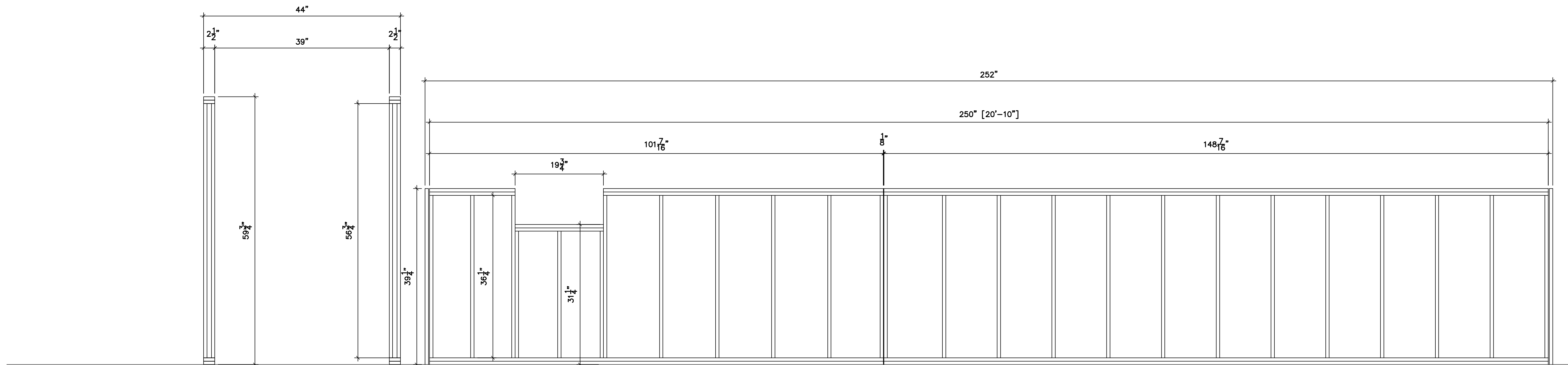


C VERTICAL SECTION
 1-3 SCALE: 1-1/2" = 1'-0"
 ARCH. REF: 7/A901

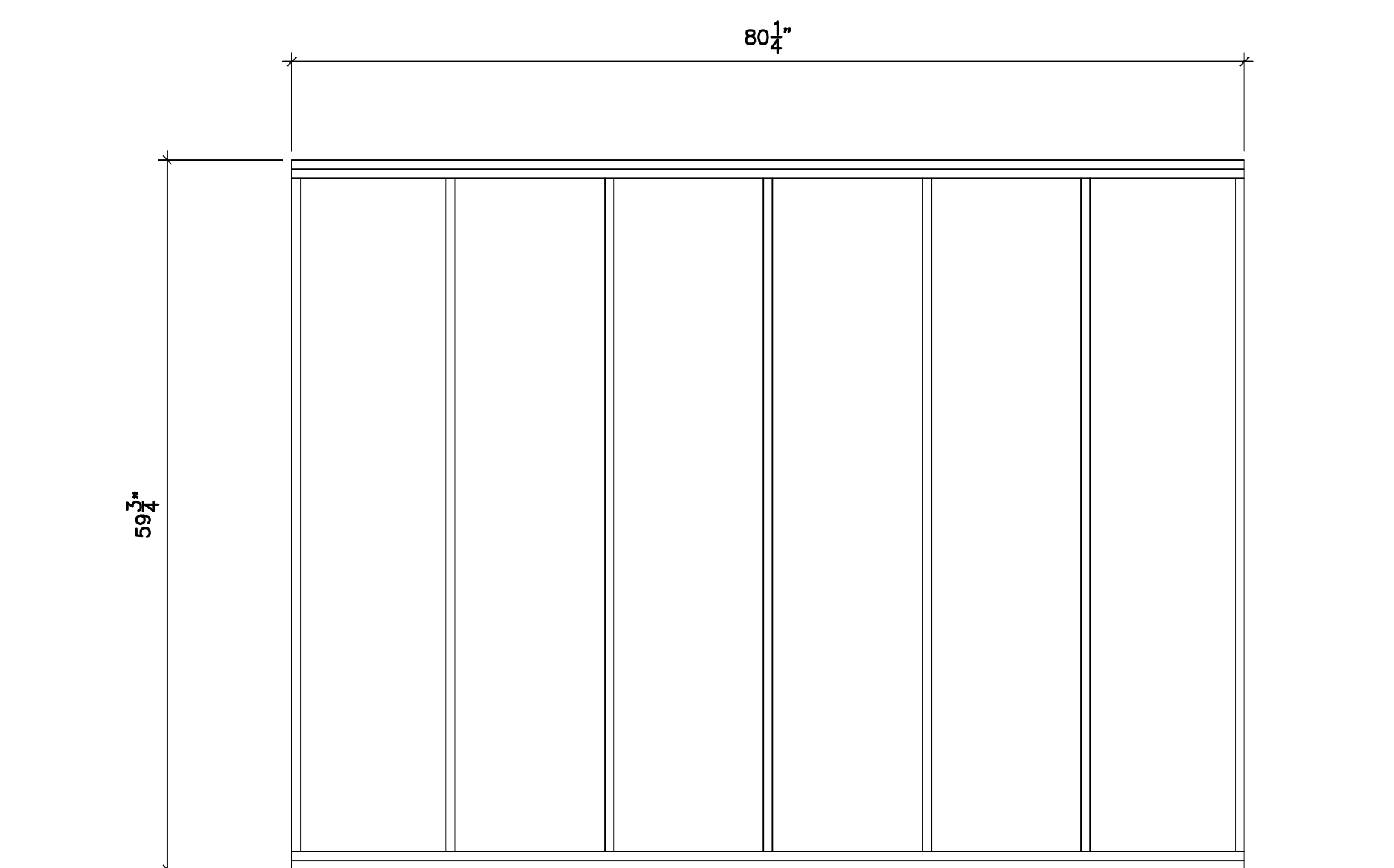


REVISIONS	BY
08/05/08	MM
08/14/08	MM
JOB#	
DRAWN BY:	DATE
MM	07/30/08

Job Name:



A ELEVATION: TELLER LINE FRAMING
 1-4 SCALE: 1" = 1' = 0"
 ARCH. REF:



B ELEVATION: END WALL FRAMING
 1-4 SCALE: 1" = 1' = 0"
 ARCH. REF:



REVISIONS	BY
08/05/08	MM
08/14/08	MM

JOB#

DRAWN BY:	DATE
MM	07/30/08

Job Name: