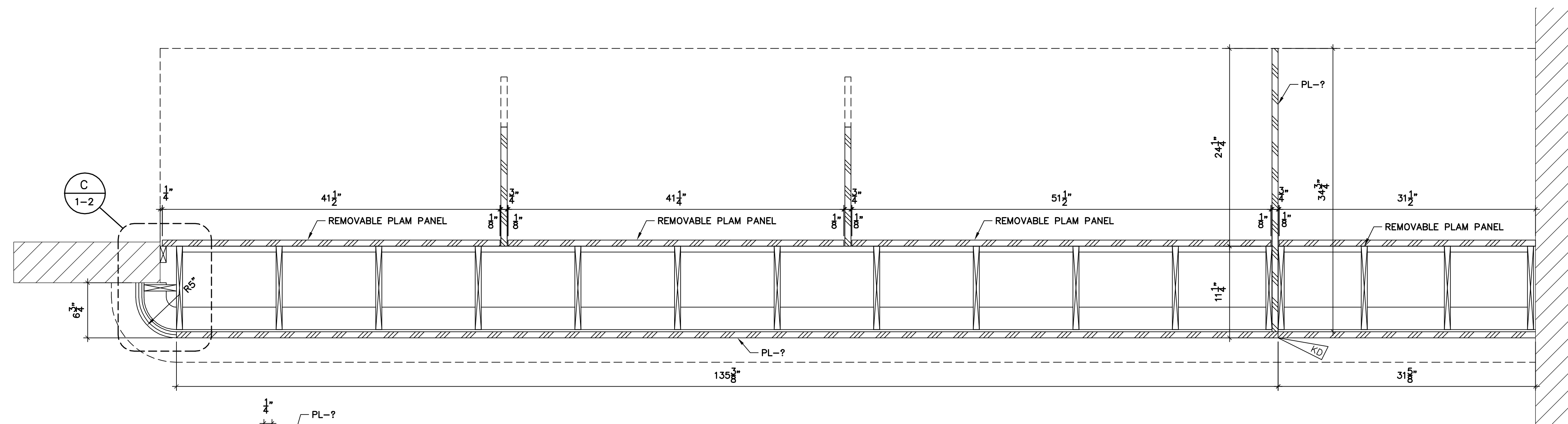
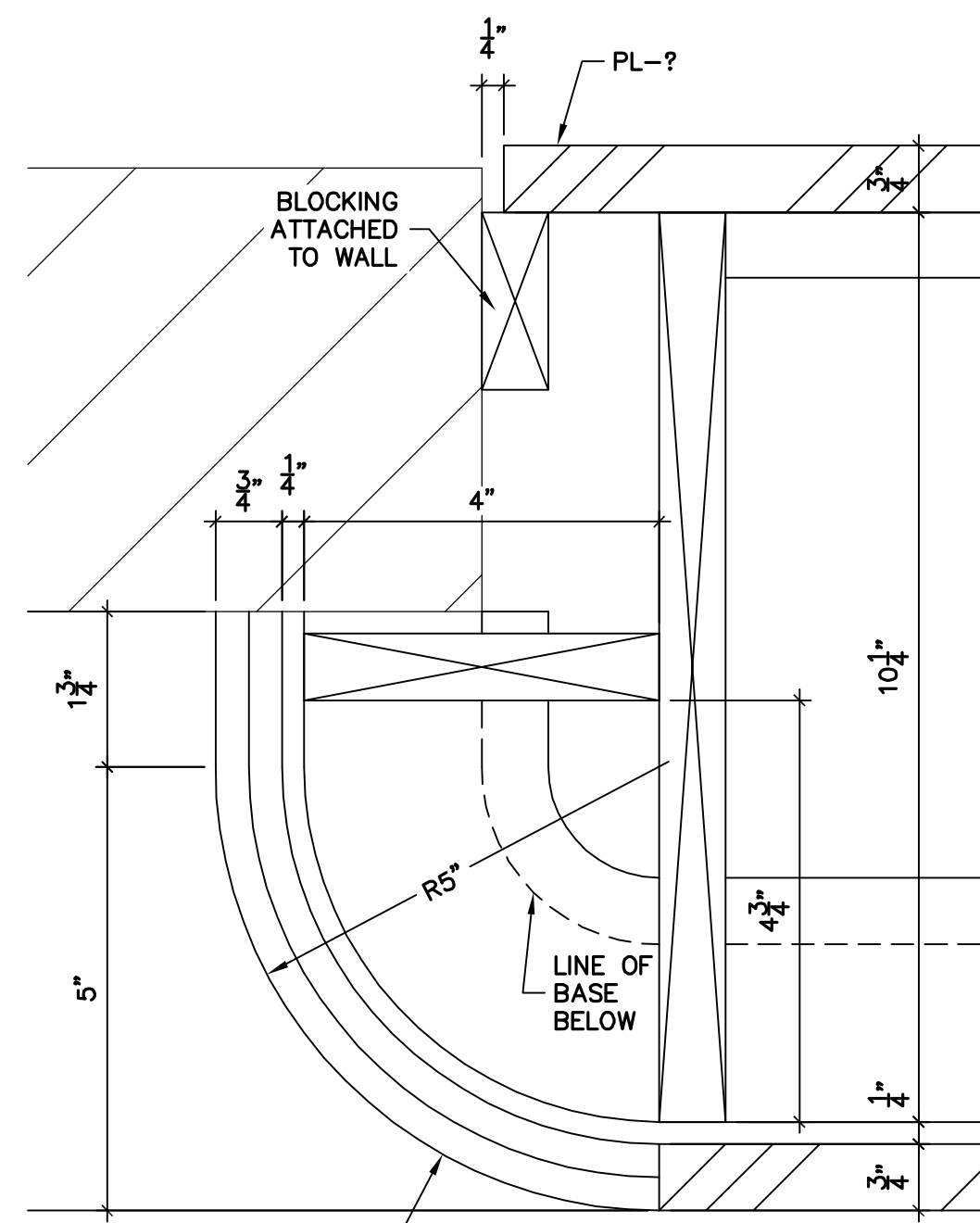


A HORIZONTAL SECTION
 1-2 SCALE: 1-1/2" = 1'-0"
 ARCH. REF: NONE

B
 1-1



B HORIZONTAL SECTION
 1-2 SCALE: 1-1/2" = 1'-0"
 ARCH. REF: NONE



C DETAIL
 1-2 SCALE: 6" = 1'-0"
 ARCH. REF: NONE

FINISHES:

PL-1: NEVAMAR #MR6002T
 "CHARCOAL MATRIX"
 ARP SURFACE

PL-2: NEVAMAR #MH6001T
 "MAHATTAN GLAMOUR"
 ARMOUR COATED
 HALLMARK SERIES

PL-3: NEVAMAR #WB348V
 "COGNAC BIRDSEYE VELVET"
 ARP SURFACE

CABINET HARDWARE:

REVISIONS	BY
JOB#	
DRAWN BY:	DATE
TM	05/22/07

Job Name: