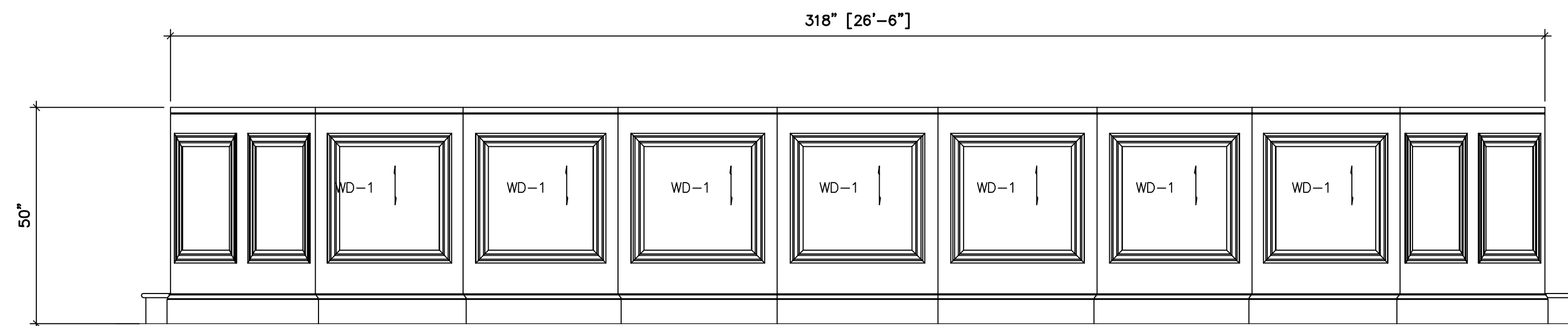
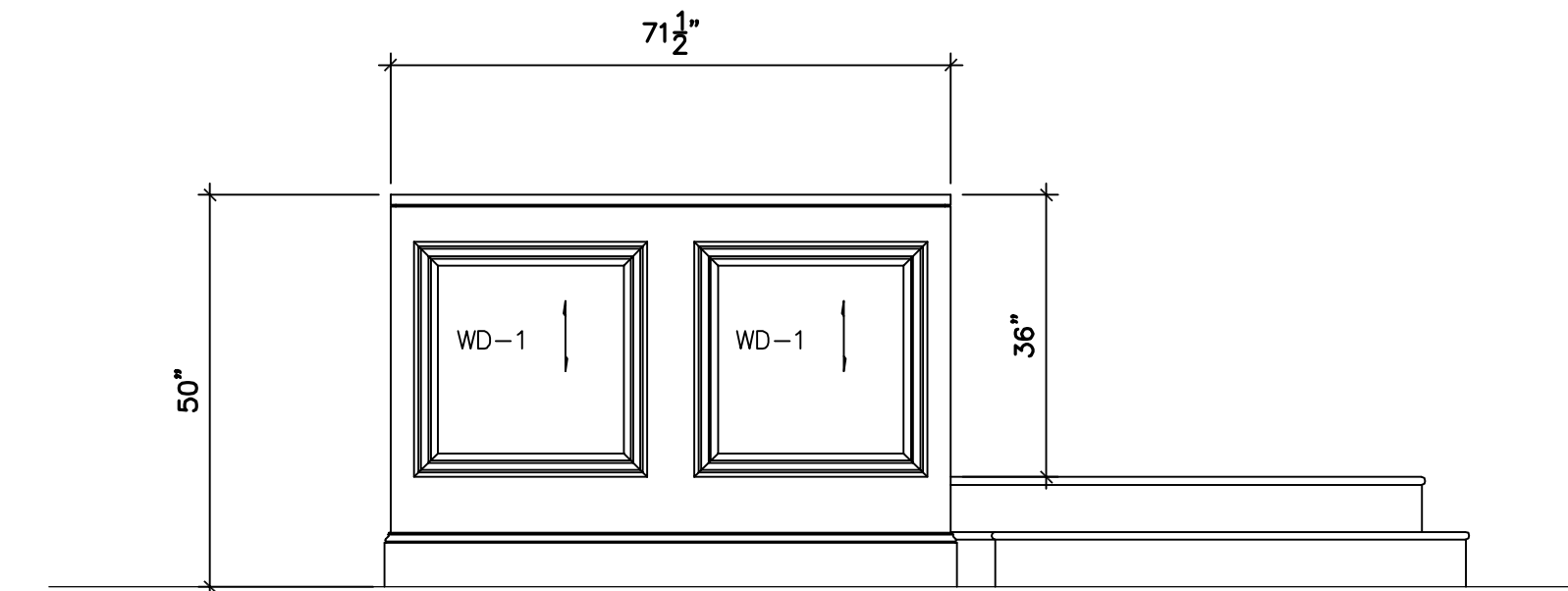


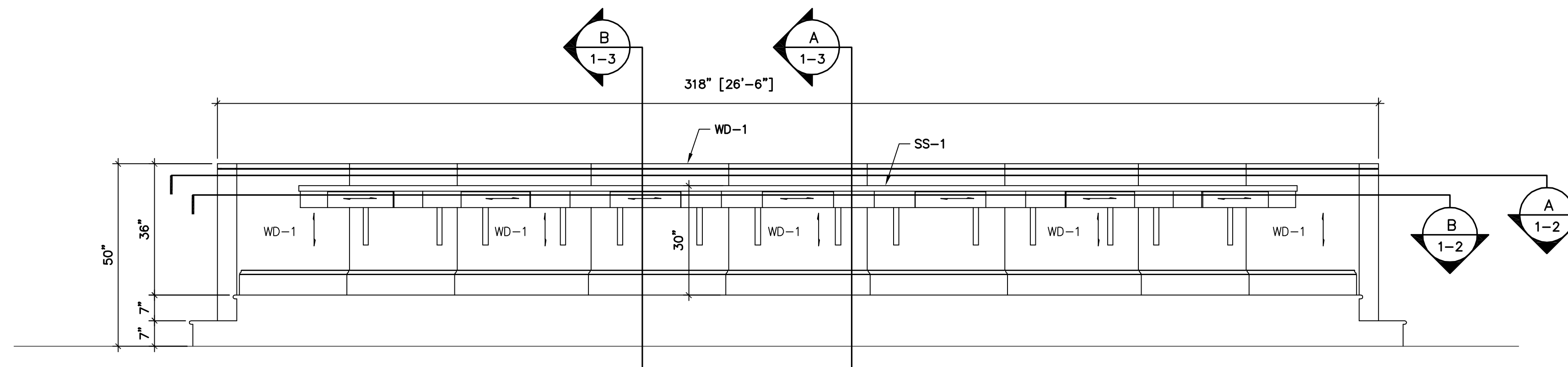
A PLAN OF COUNCIL CHAMBER DESK
 1-1 SCALE: 1/2" = 1'- 0"
 ARCH. REF: A-11



B ELEVATION
 1-1 SCALE: 1/2" = 1'- 0"
 ARCH. REF: B/A-6



C ELEVATION
 1-1 SCALE: 1/2" = 1'- 0"
 ARCH. REF: A/A-6



D ELEVATION
 1-1 SCALE: 1/2" = 1'- 0"
 ARCH. REF: C/A-6

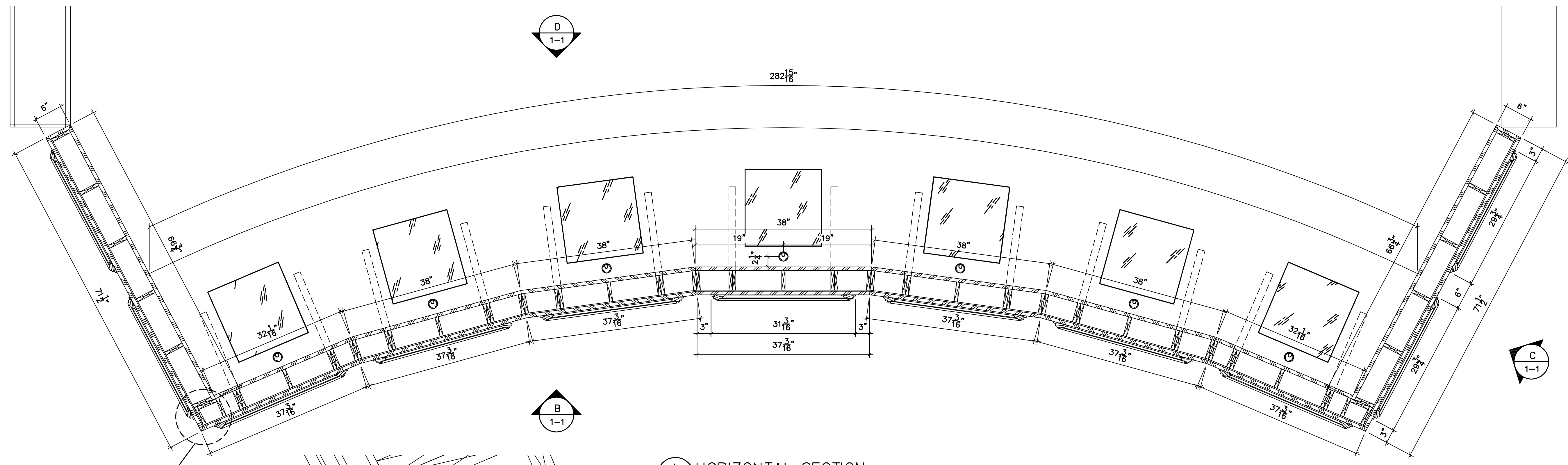
FINISHES:	
WD-1:	MAPLE PLYWOOD OR MAPLE SOLID STAINED AND FINISHED TO MATCH APPROVED SAMPLE
SS-1:	SOLID SURFACE - PLEASE SPECIFY
CABINET HARDWARE:	

REVISIONS	BY

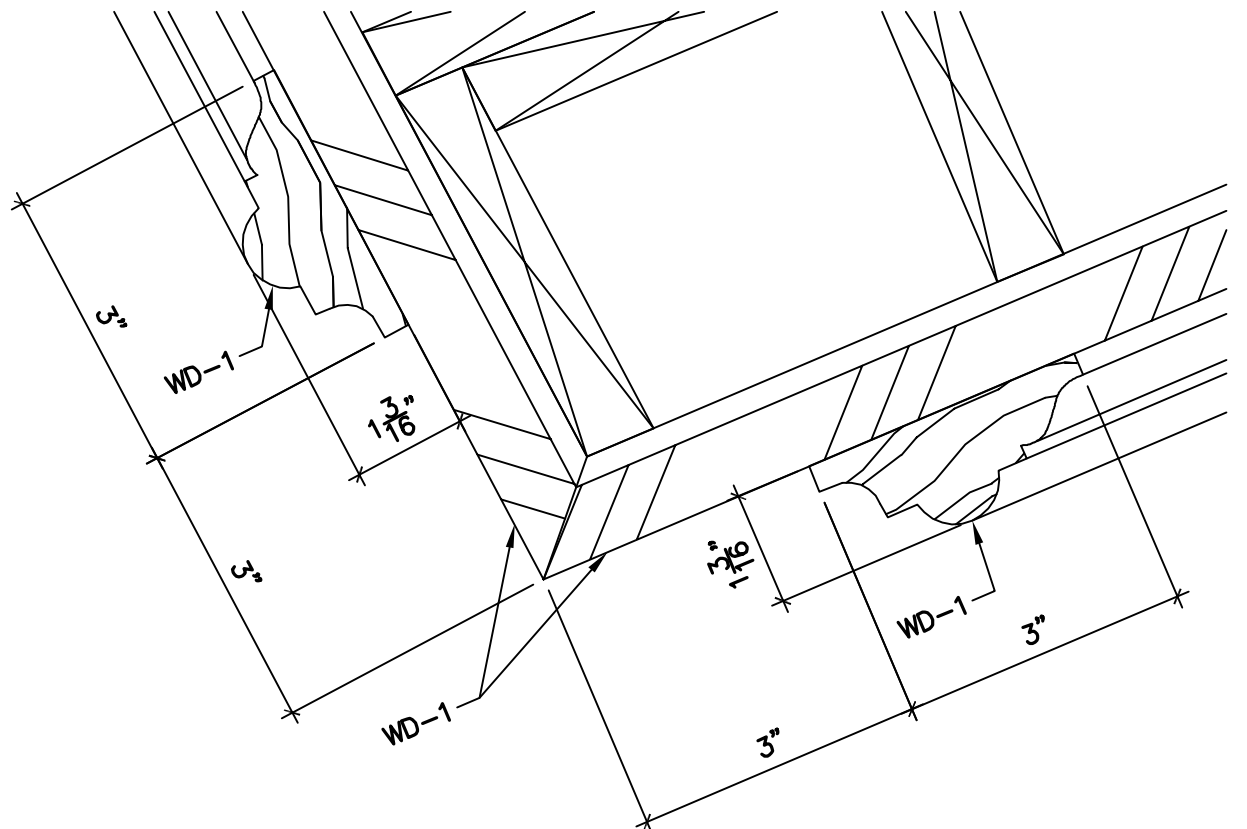
JOB#	
DRAWN BY:	DATE
TM	05/24/07

Job Name:

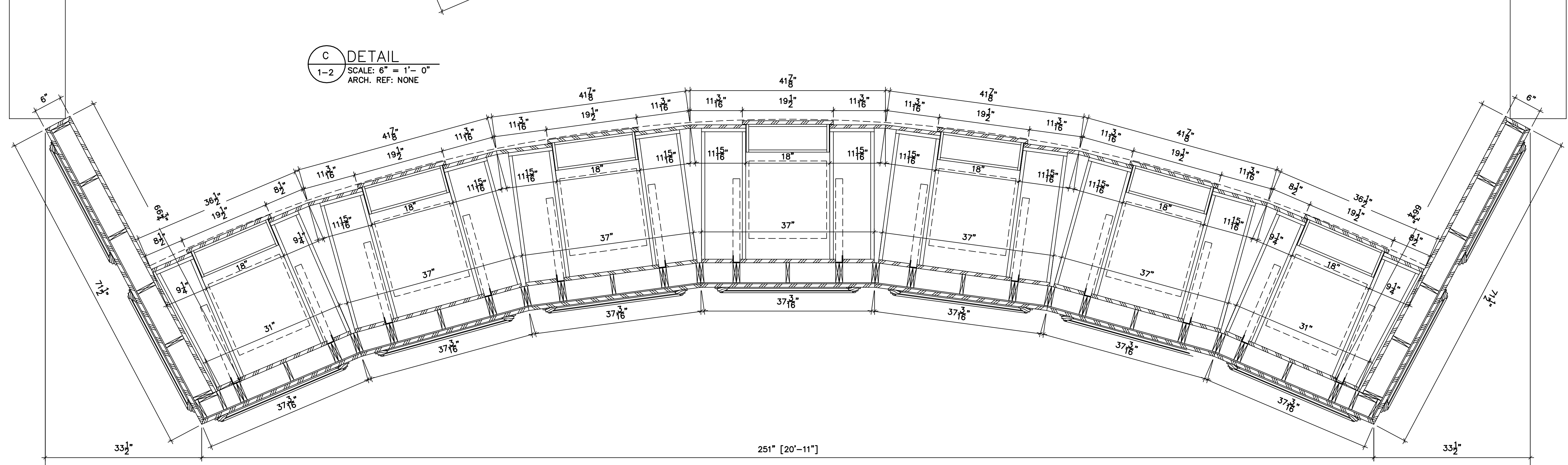
PAGE:
1-1



A HORIZONTAL SECTION
 1-2 SCALE: 1" = 1'- 0"
 ARCH. REF: NONE



C DETAIL
 1-2 SCALE: 6" = 1'- 0"
 ARCH. REF: NONE



B HORIZONTAL SECTION
 1-2 SCALE: 1" = 1'- 0"
 ARCH. REF: NONE

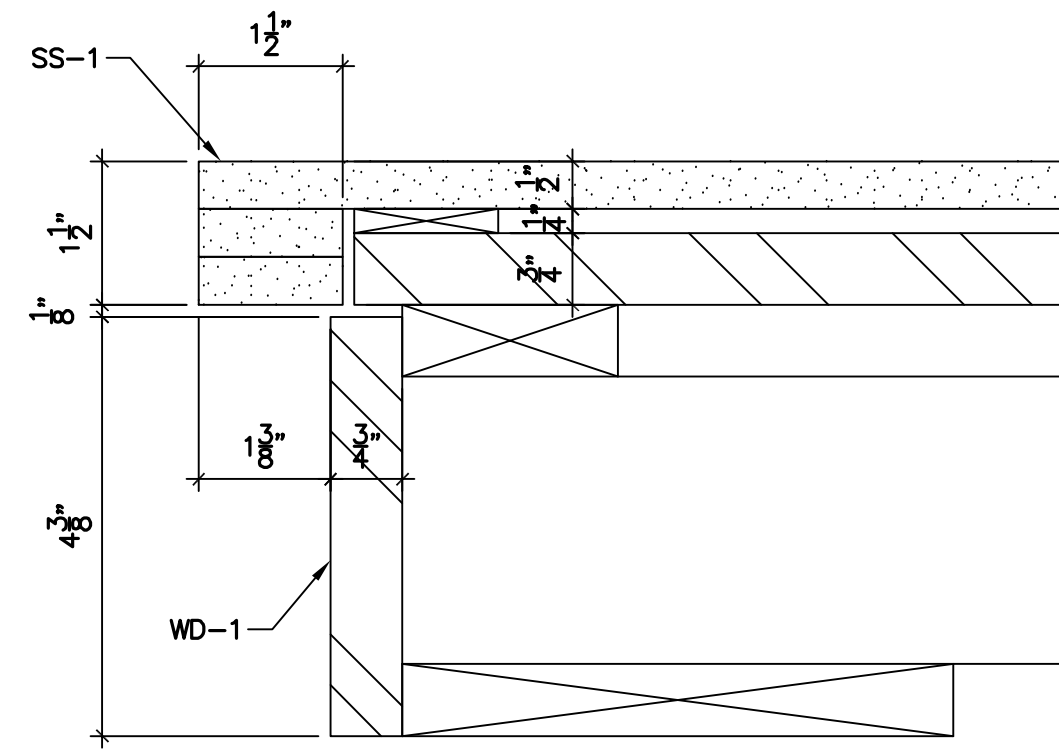
REVISIONS	BY

JOB#

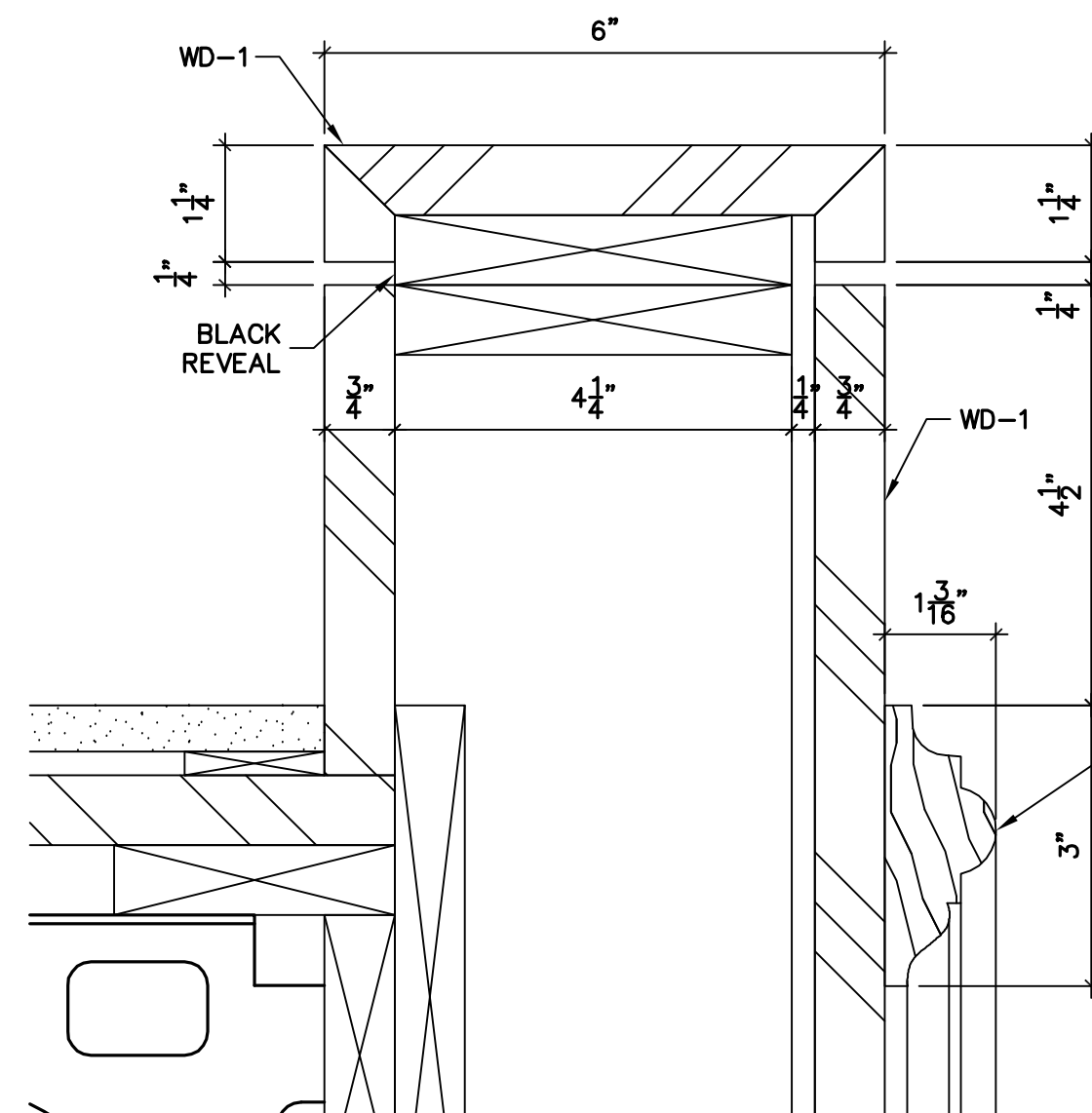
DRAWN BY:	DATE
TM	05/24/07

Job Name:

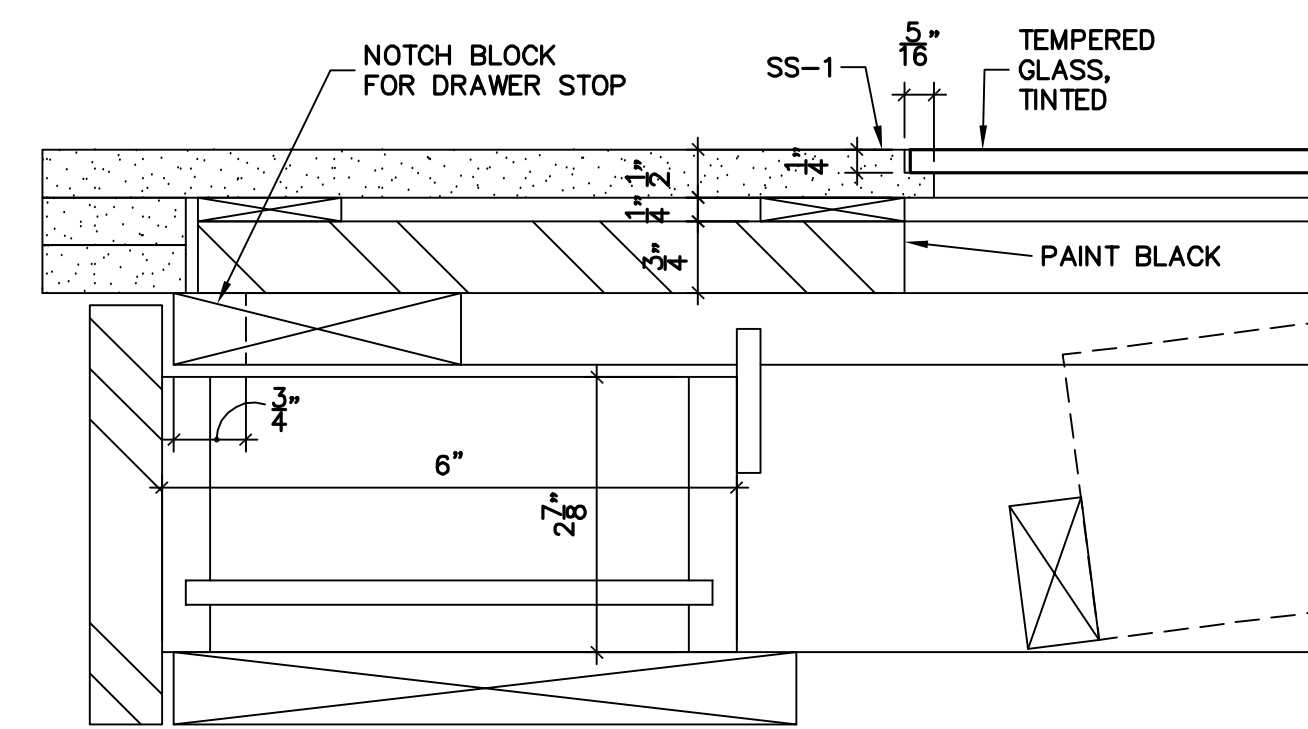
PAGE:
1-2



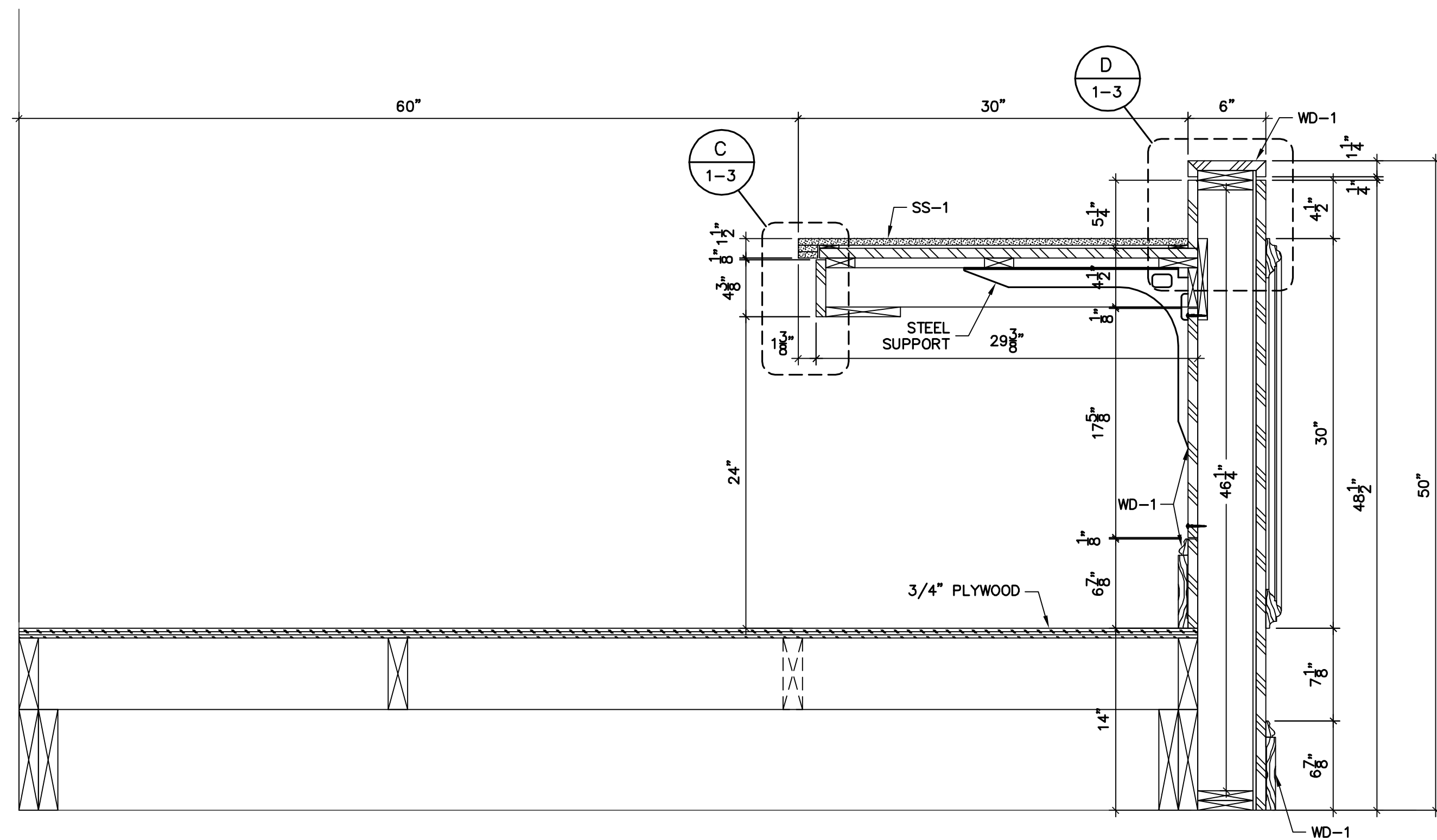
C DETAIL
1-3 SCALE: 6" = 1'- 0"
ARCH. REF: NONE



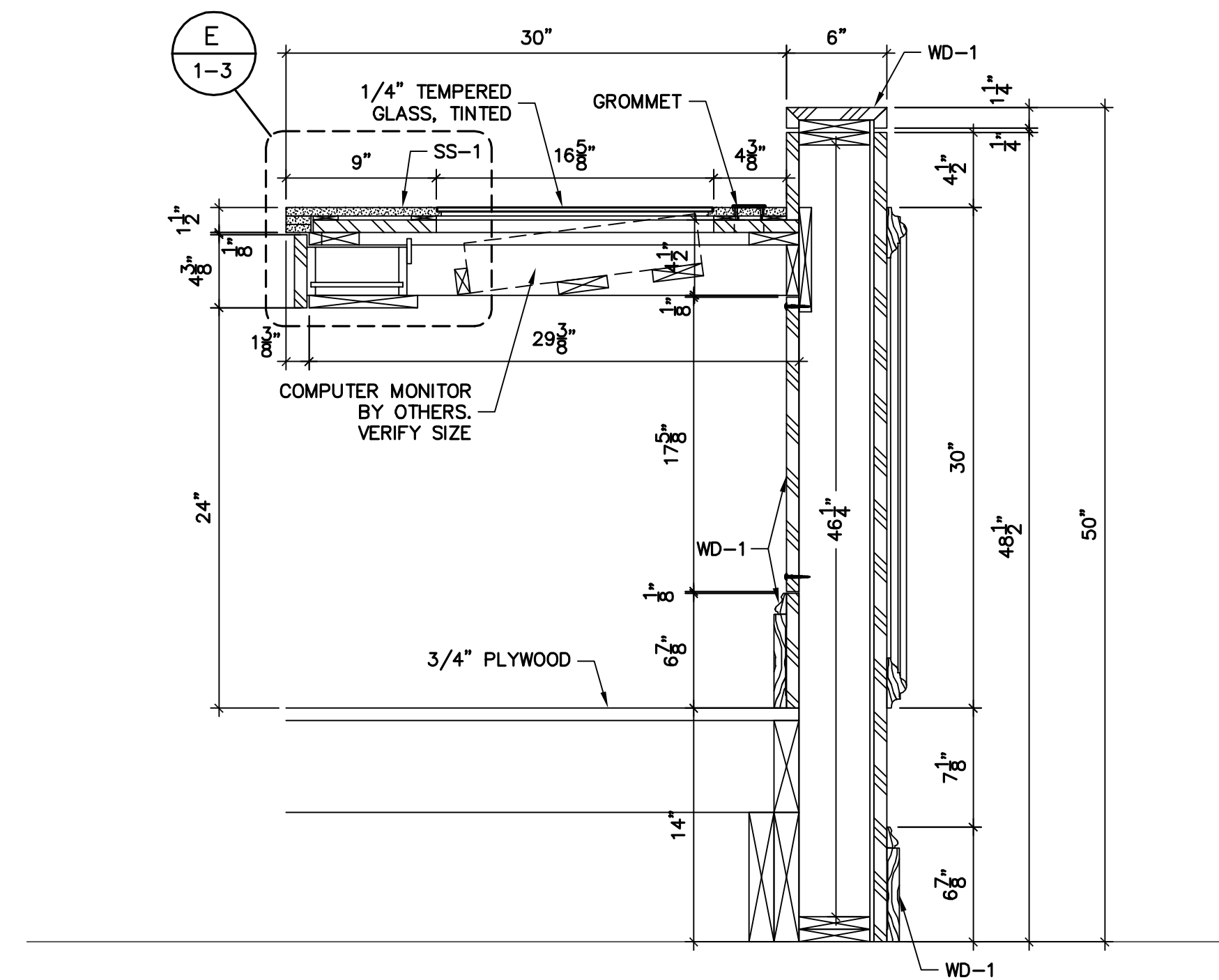
D DETAIL
1-3 SCALE: 6" = 1'- 0"
ARCH. REF: NONE



E DETAIL
1-3 SCALE: 6" = 1'- 0"
ARCH. REF: NONE



A VERTICAL SECTION
1-3 SCALE: 1-1/2" = 1'- 0"
ARCH. REF: E/A-6

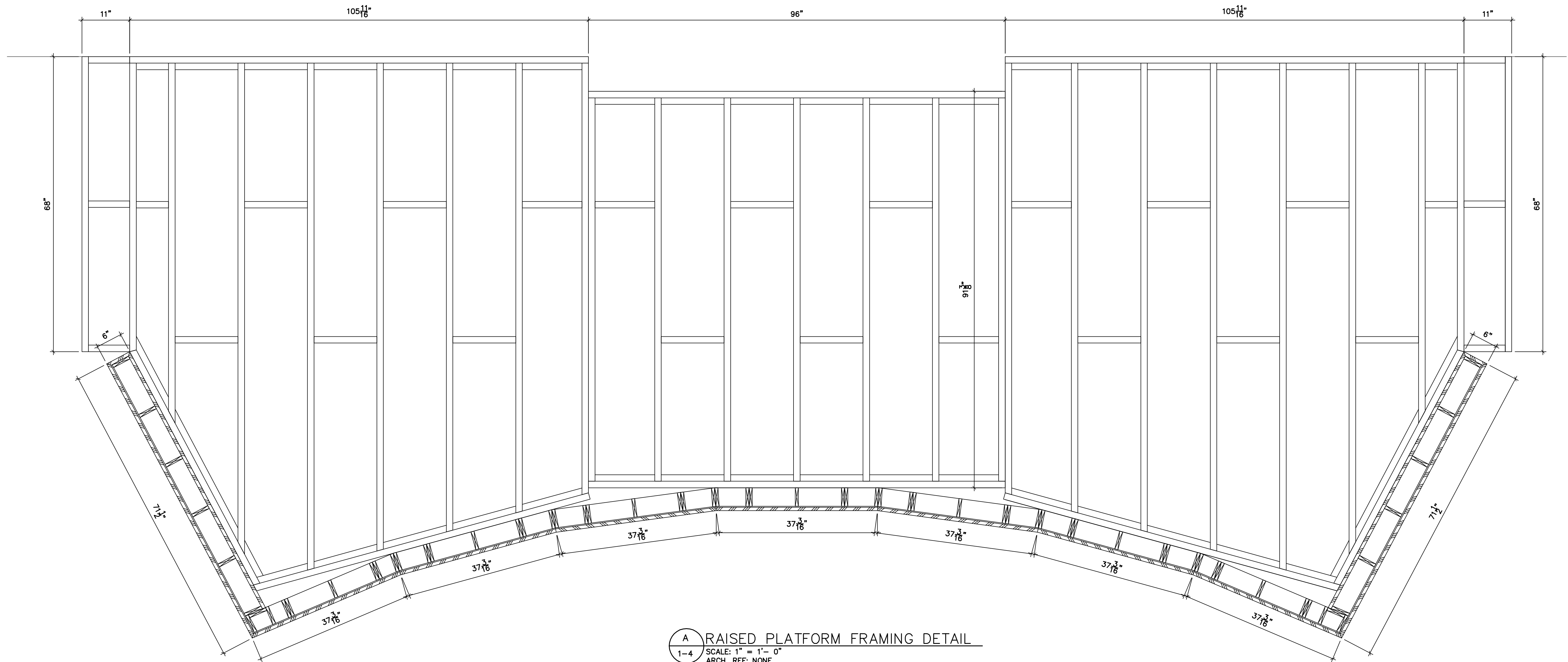


B VERTICAL SECTION
1-3 SCALE: 1-1/2" = 1'- 0"
ARCH. REF: E/A-6

REVISIONS	BY
JOB#	
DRAWN BY:	DATE
TM	05/24/07

Job Name:

PAGE:
1-3



A RAISED PLATFORM FRAMING DETAIL
 1-4 SCALE: 1" = 1'-0"
 ARCH. REF: NONE

REVISIONS	BY
JOB#	
DRAWN BY:	DATE
TM	05/24/07

Job Name: