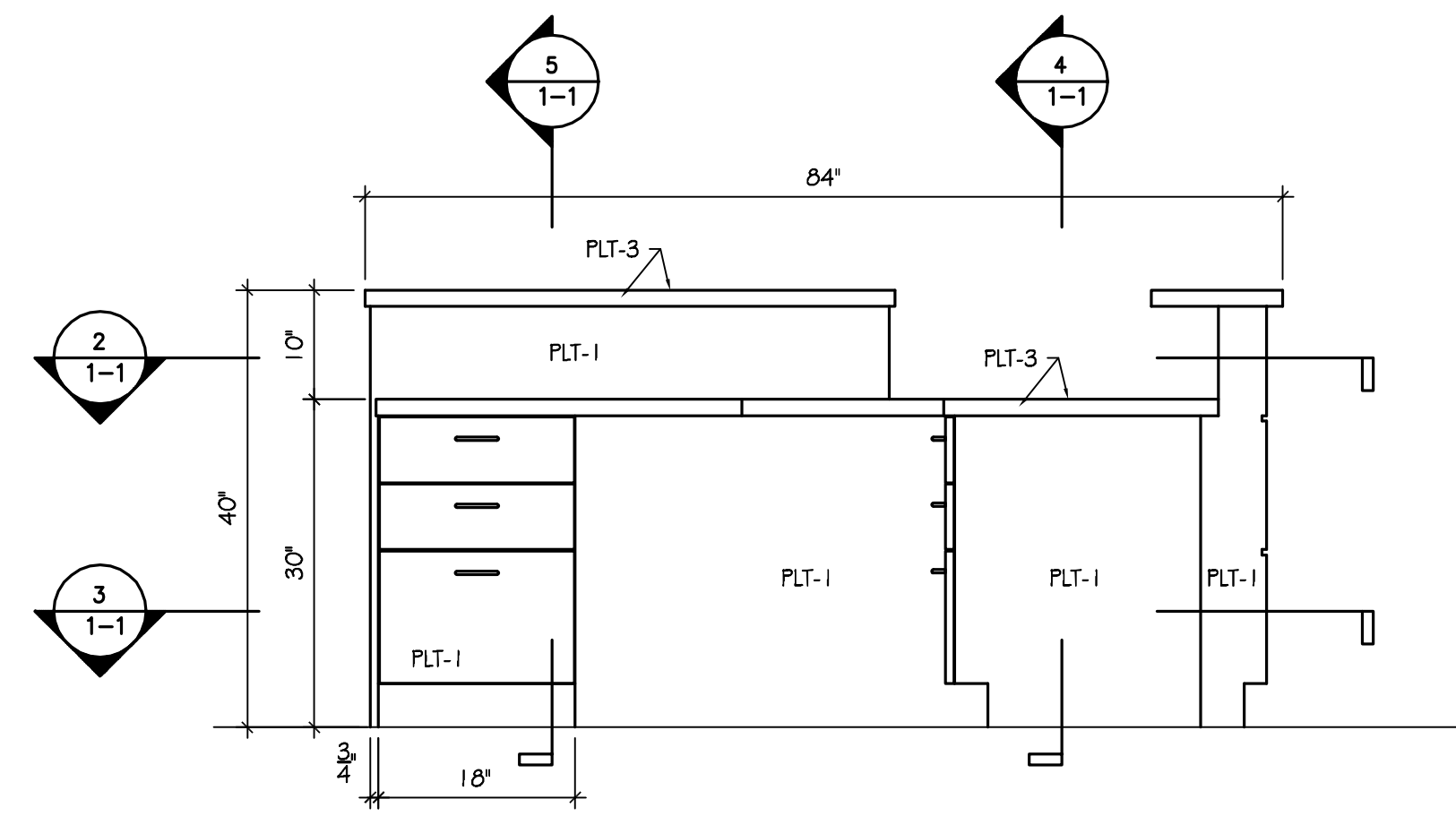
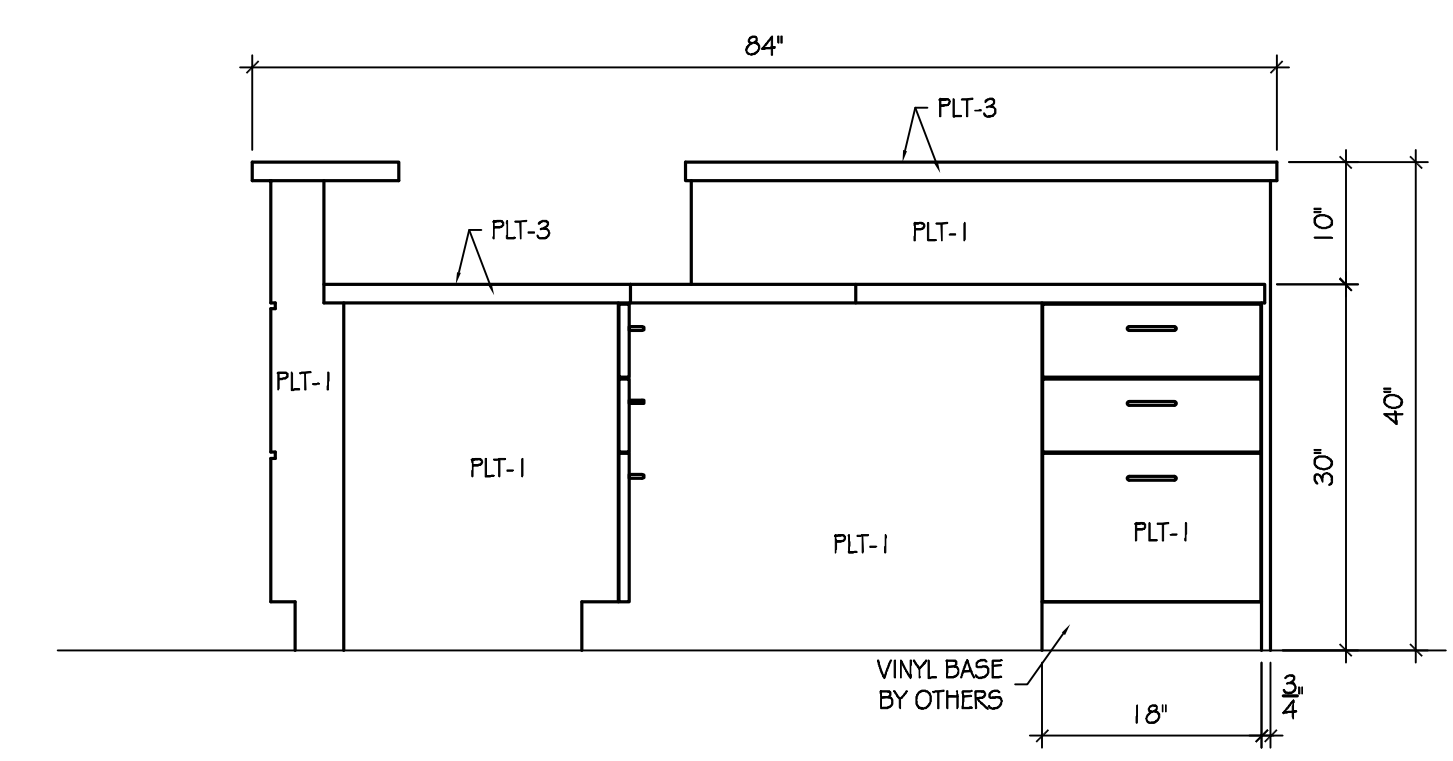


1 PLAN VIEW
 SCALE: 3/4" = 1'-0"
 ARCH. REF: 01/A2.01B

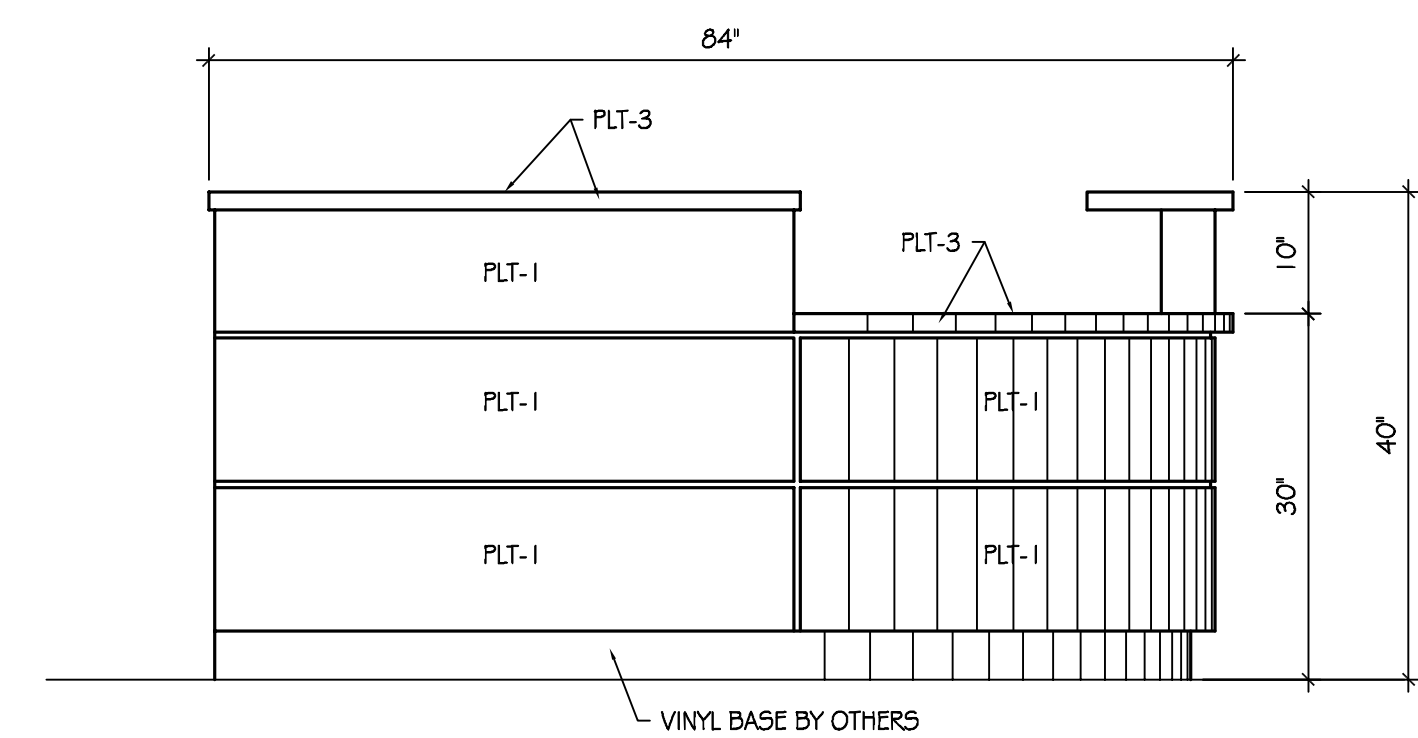
FOUR (4) UNITS REQUIRED AS SHOWN
 ROOMS 120, 124, 153, 157



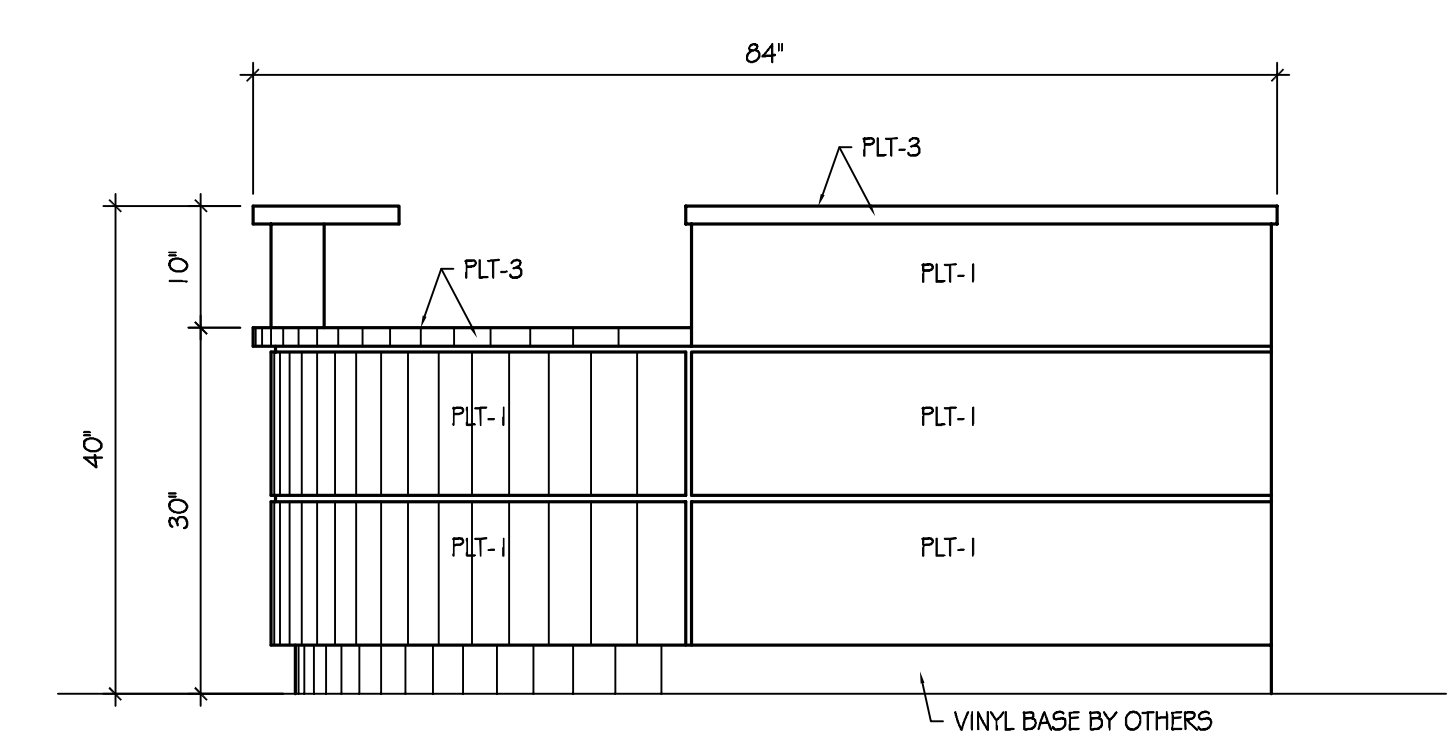
A ELEVATION
 SCALE: 3/4" = 1'-0"
 ARCH. REF: 10/A10.01



B ELEVATION
 SCALE: 3/4" = 1'-0"
 ARCH. REF: 10/A10.01



C ELEVATION
 SCALE: 3/4" = 1'-0"
 ARCH. REF: 09/A10.01



D ELEVATION
 SCALE: 3/4" = 1'-0"
 ARCH. REF: 09/A10.01

ARCHITECT:
 GENERAL CONTRACTOR:
 DESIGNER:
 NOTES:
 PLT-1: PLEASE SPECIFY
 PLT-3: PLEASE SPECIFY

REVISIONS:

SHEET TITLE:
**NURSE STATION
 PLAN & ELEV.**

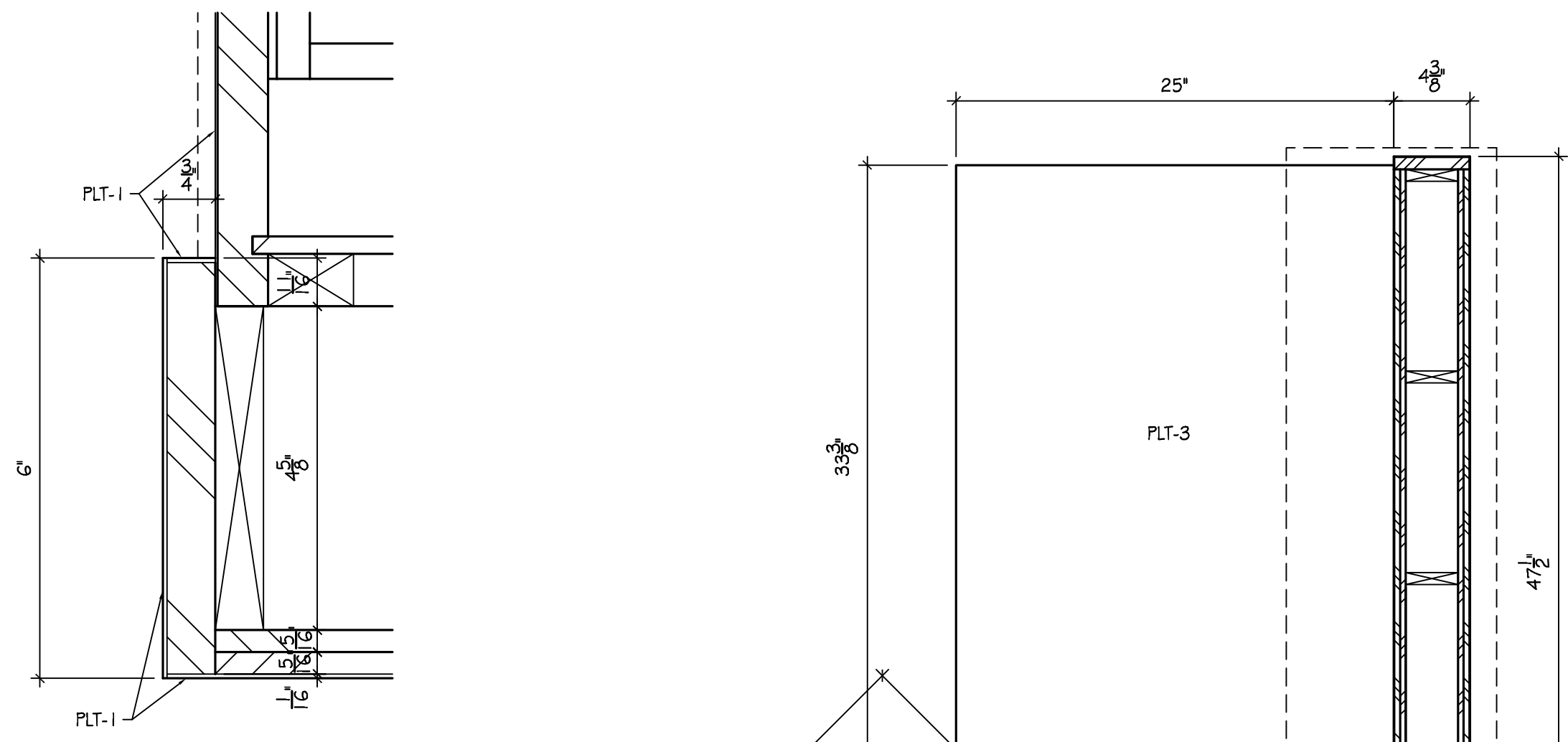
DRAWN BY: TM | DATE: 03/14/07
 JOB: | SHEET NO.

ARCHITECT:
 GENERAL CONTRACTOR:
 DESIGNER:
 NOTES:

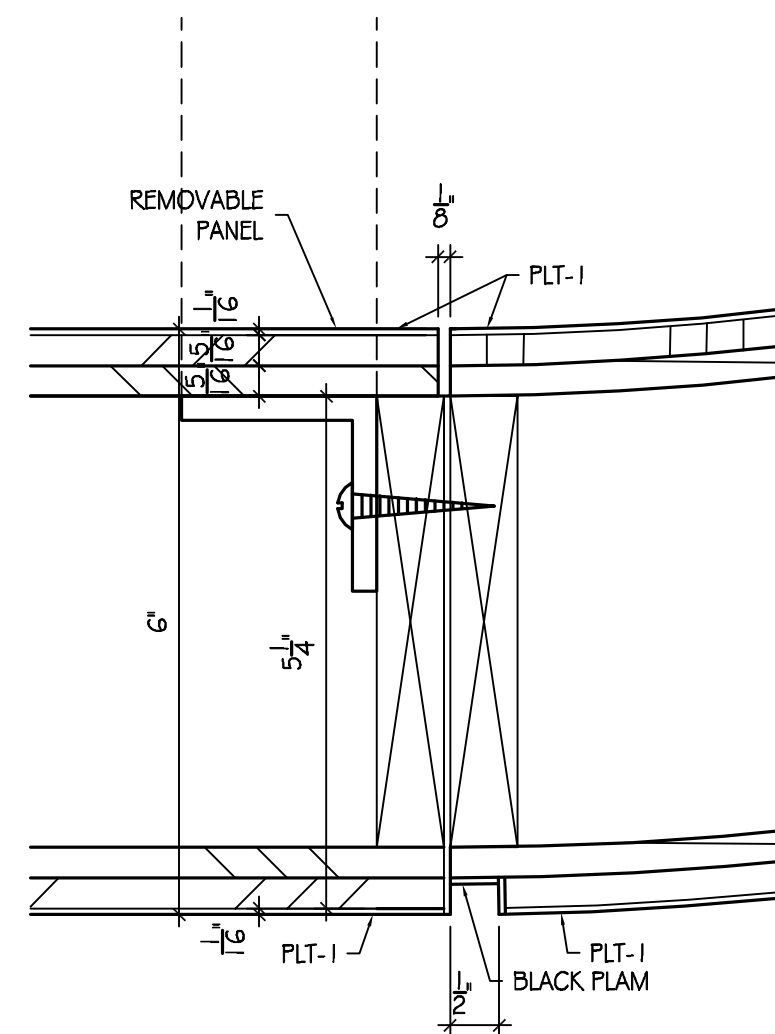
REVISIONS:

SHEET TITLE:
NURSE STATION SECTIONS

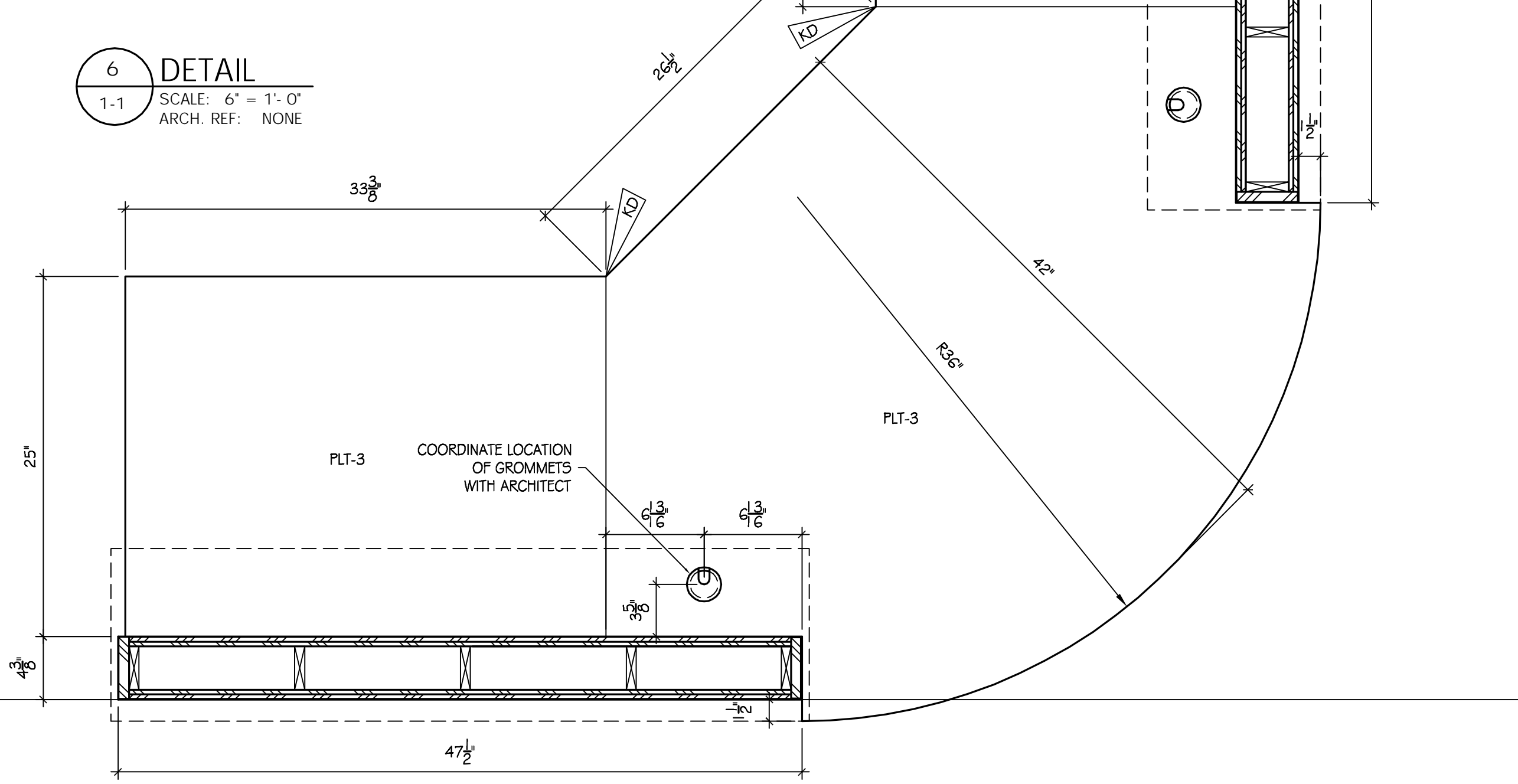
DRAWN BY: TM | DATE: 03/14/07
 JOB: | SHEET NO.



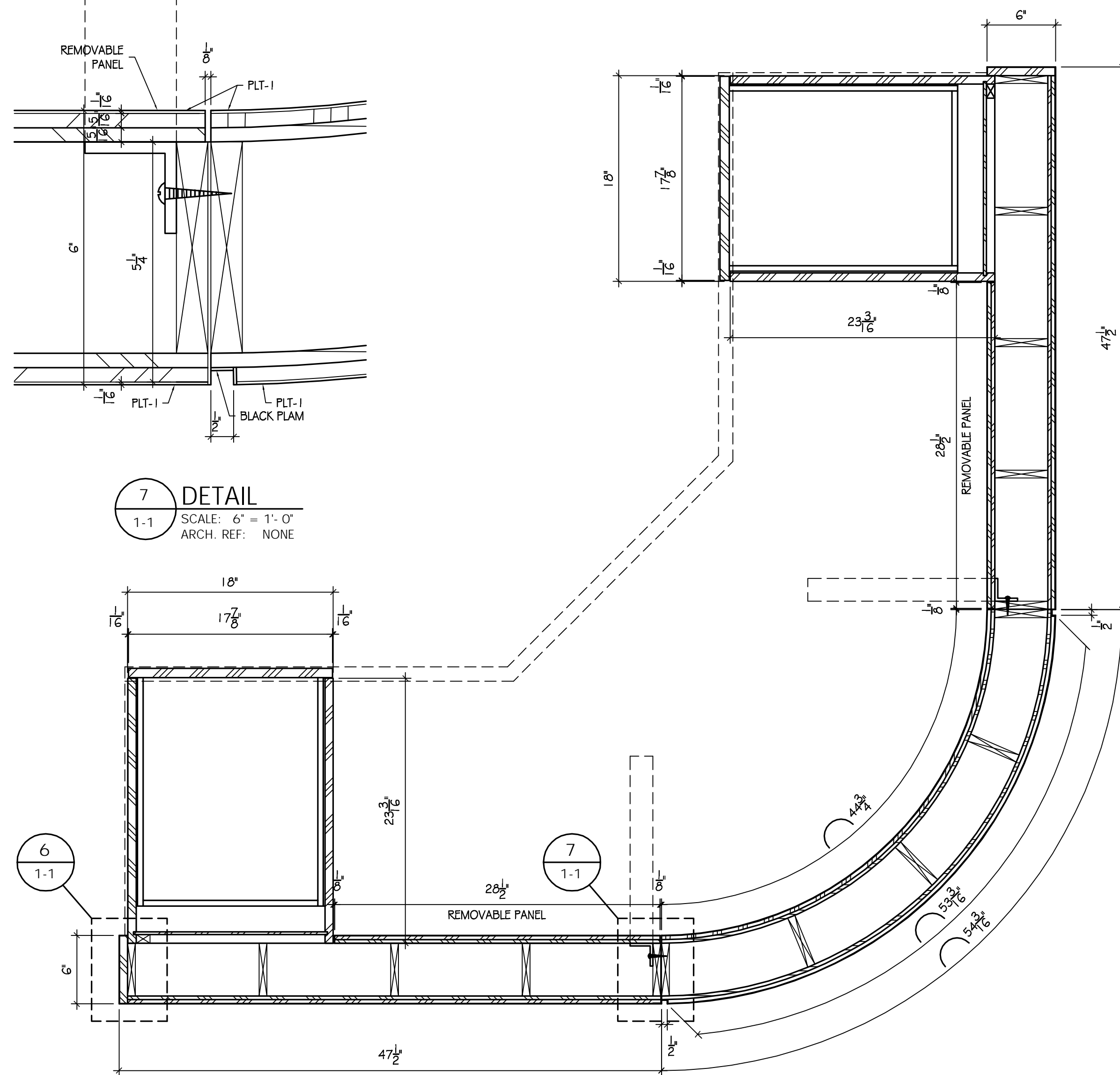
6 DETAIL
 1-1 SCALE: 6" = 1'-0"
 ARCH. REF: NONE



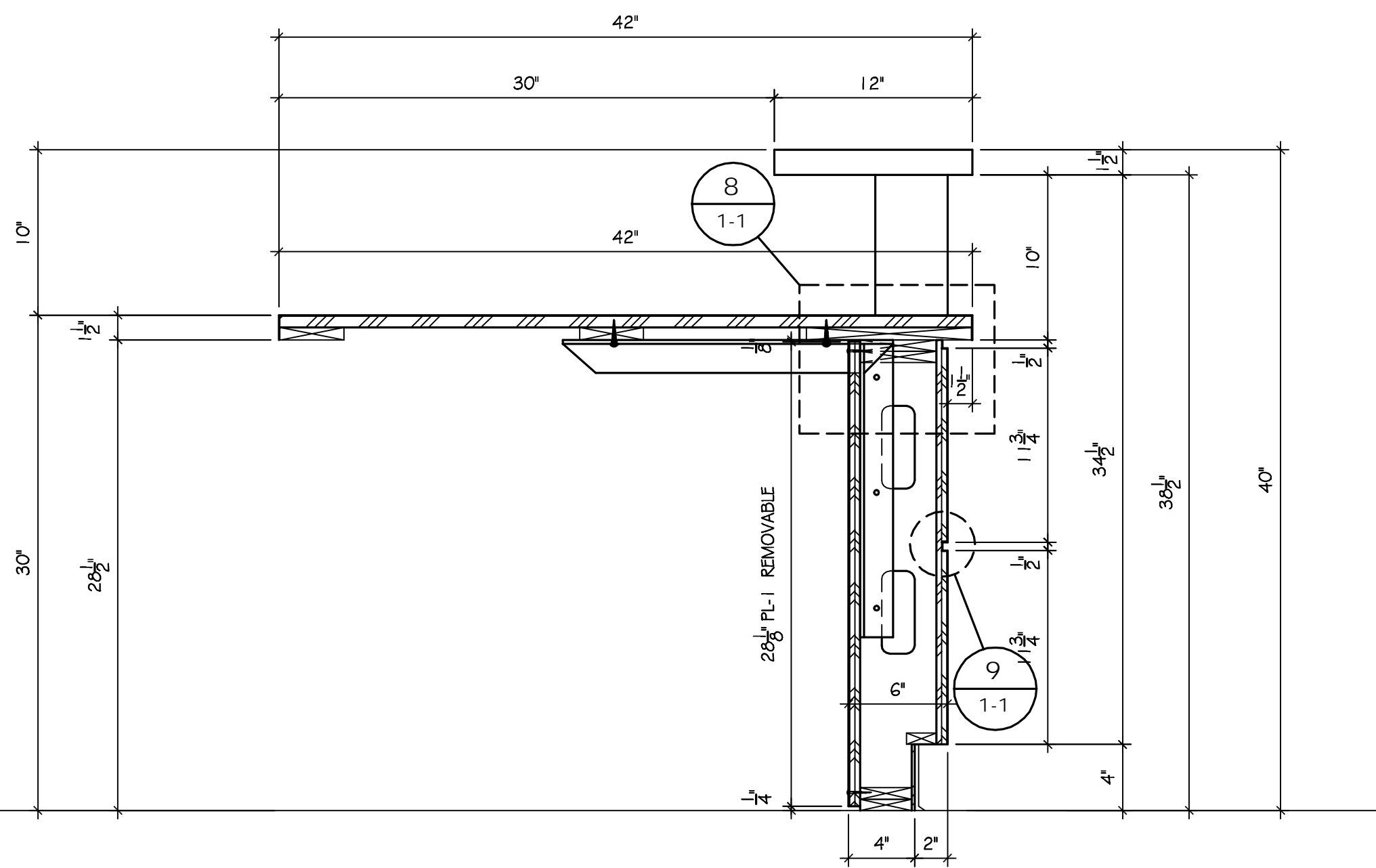
7 DETAIL
 1-1 SCALE: 6" = 1'-0"
 ARCH. REF: NONE



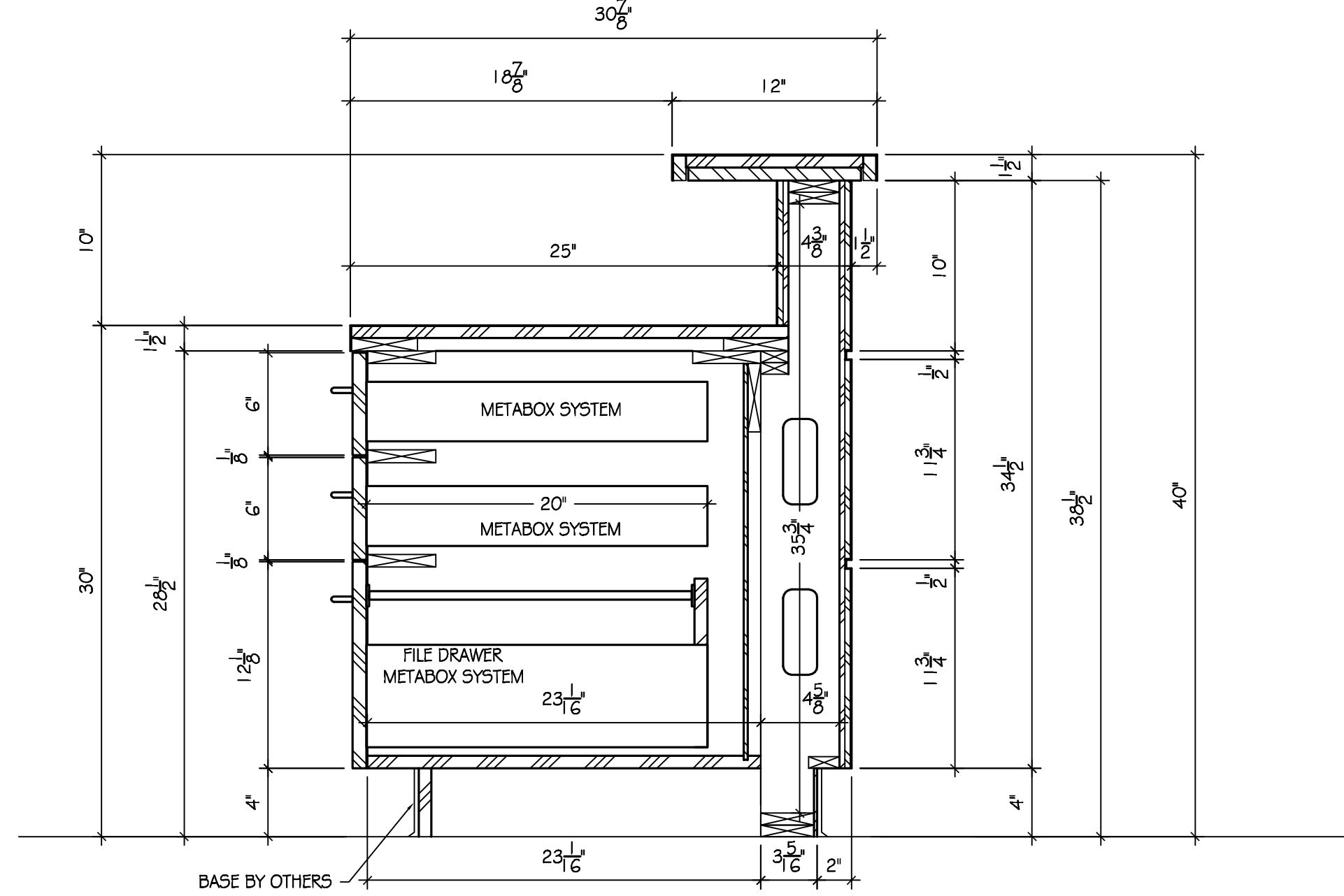
2 HORIZONTAL SECTION
 1-1 SCALE: 1-1/2" = 1'-0"
 ARCH. REF: NONE



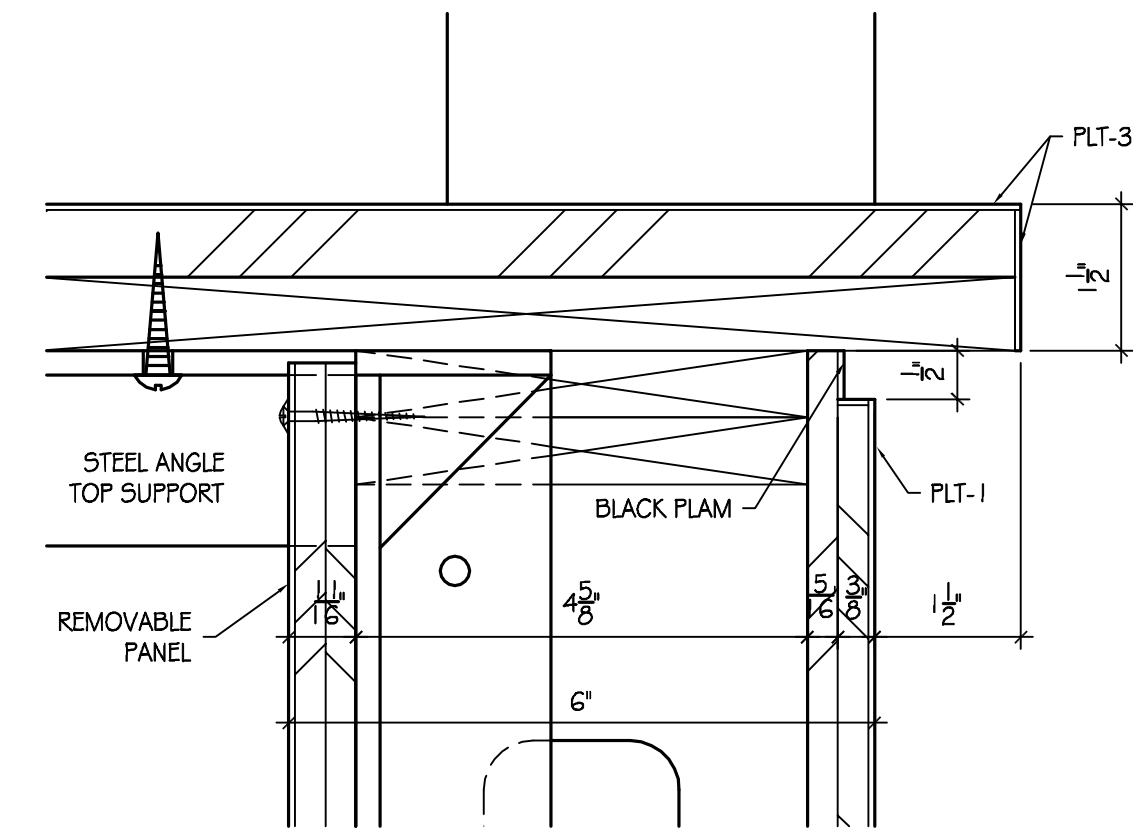
3 HORIZONTAL SECTION
 1-1 SCALE: 1-1/2" = 1'-0"
 ARCH. REF: NONE



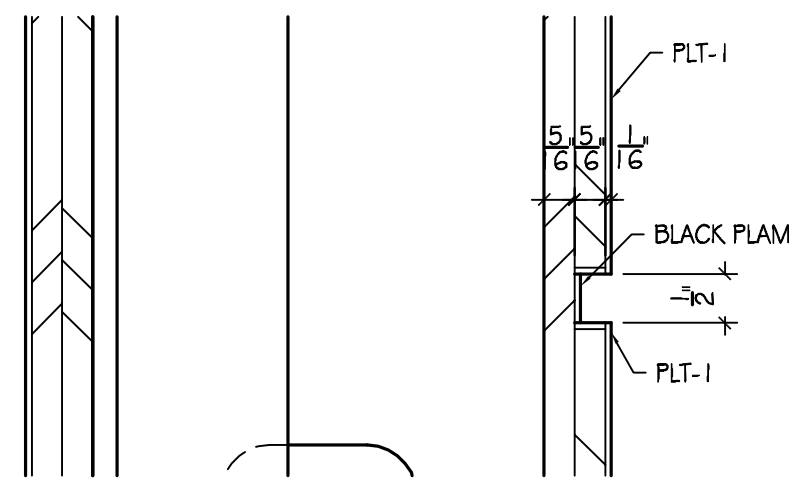
4 VERTICAL SECTION
 1-1 SCALE: 1-1/2" = 1'-0"
 ARCH. REF: NONE



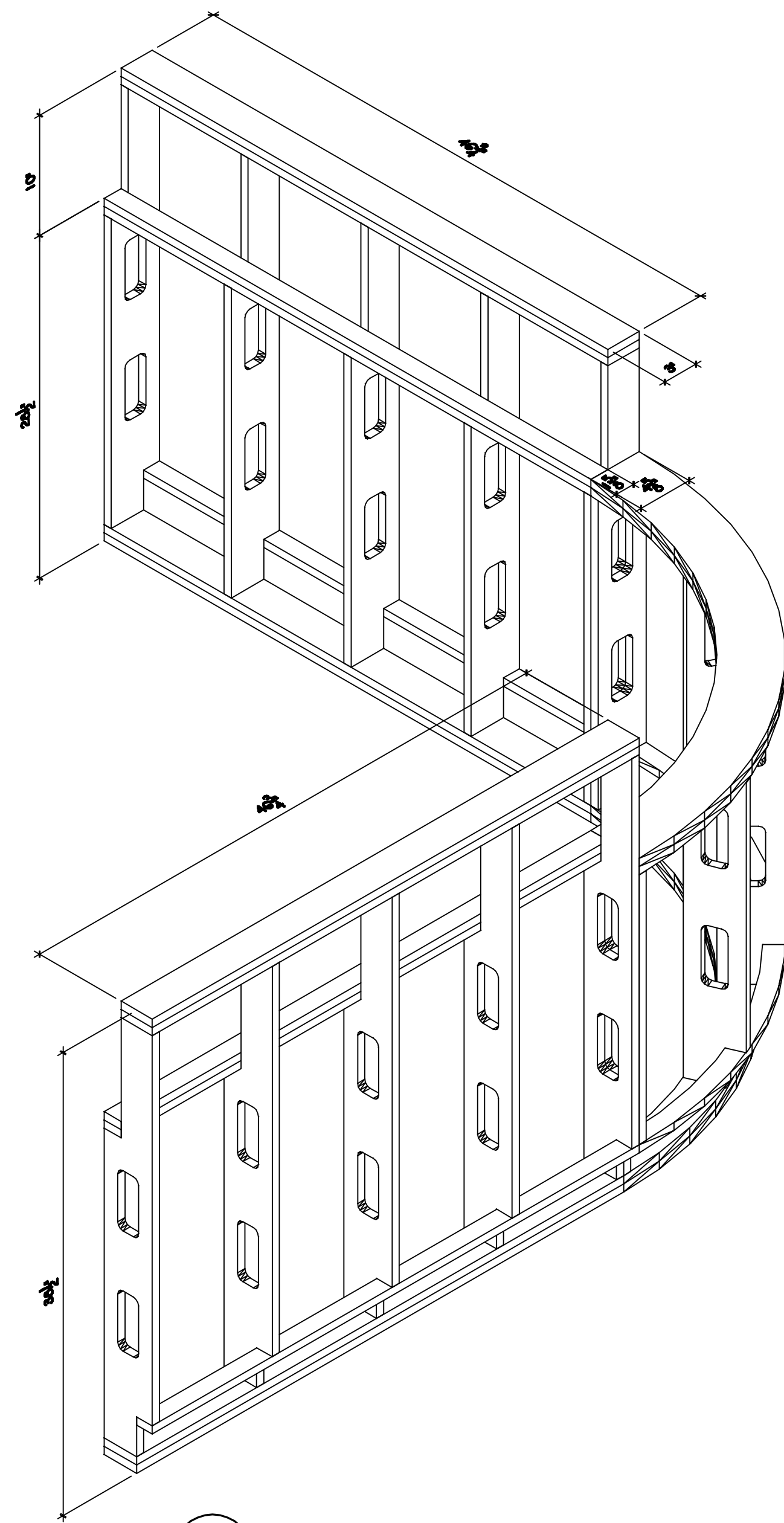
5 VERTICAL SECTION
 1-1 SCALE: 1-1/2" = 1'-0"
 ARCH. REF: NONE



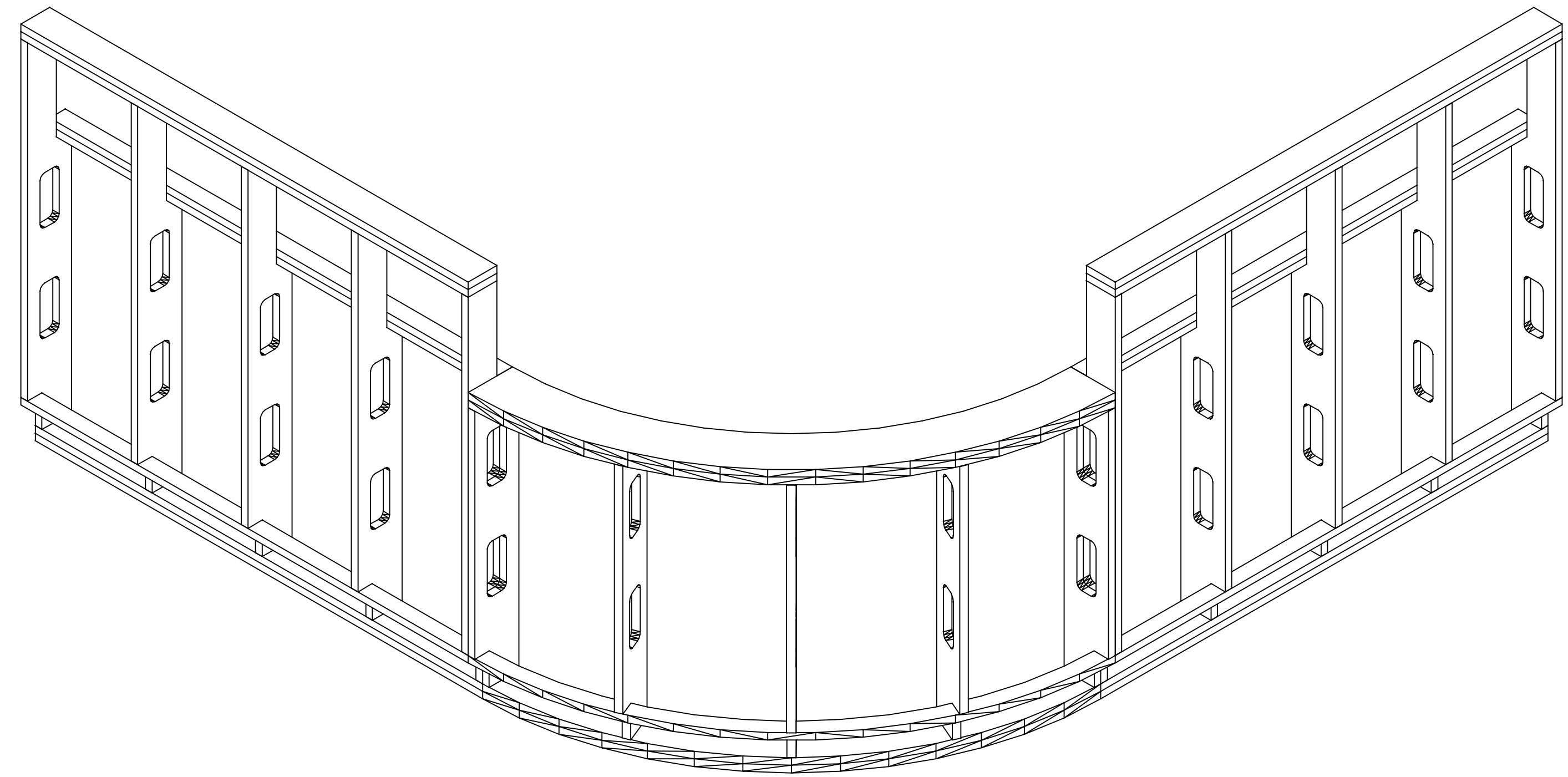
8 DETAIL
 1-1 SCALE: 6" = 1'-0"
 ARCH. REF: NONE



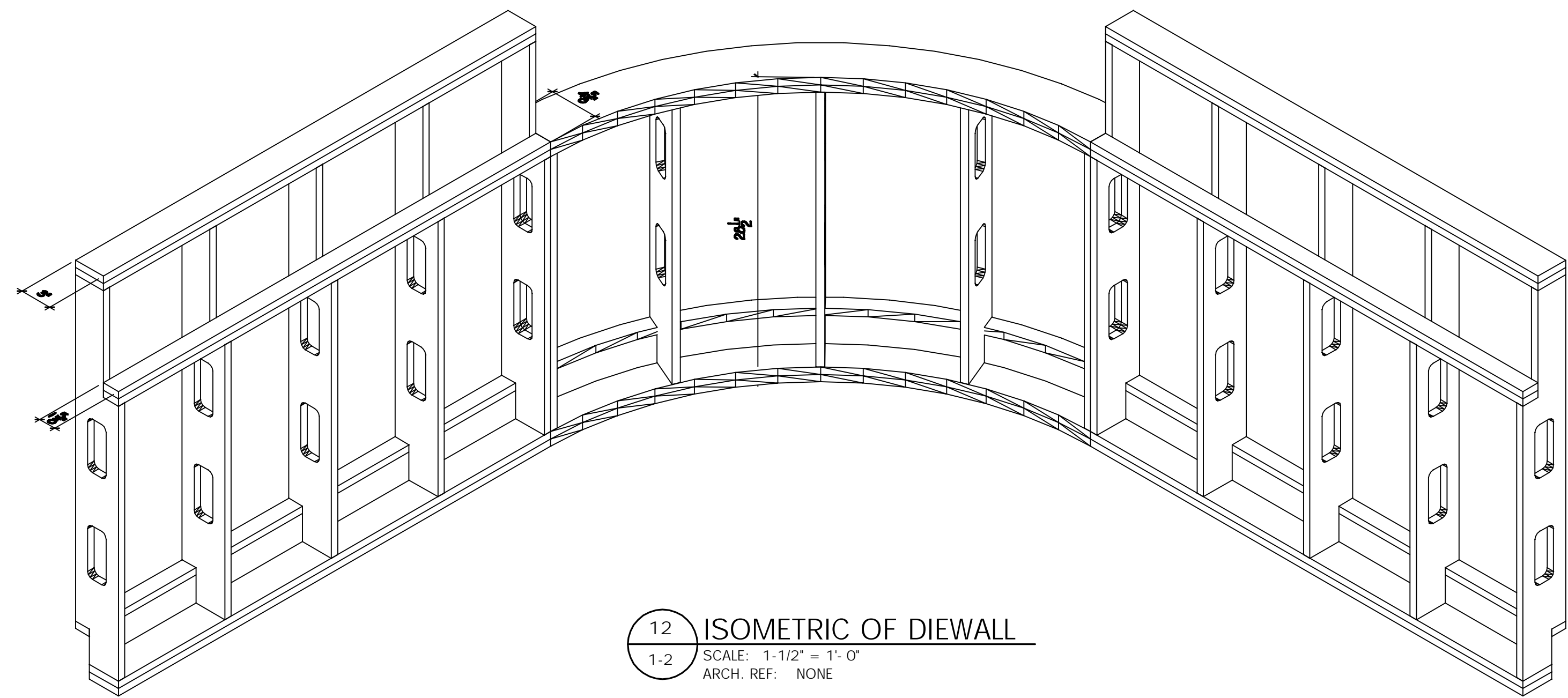
9 DETAIL
 1-1 SCALE: 6" = 1'-0"
 ARCH. REF: NONE



10 ISOMETRIC OF DIEWALL
 1-2 SCALE: 1-1/2" = 1'-0"
 ARCH. REF: NONE



11 ISOMETRIC OF DIEWALL
 1-2 SCALE: 1-1/2" = 1'-0"
 ARCH. REF: NONE



12 ISOMETRIC OF DIEWALL
 1-2 SCALE: 1-1/2" = 1'-0"
 ARCH. REF: NONE



ARCHITECT:
 GENERAL CONTRACTOR:
 DESIGNER:
 NOTES:

REVISIONS:

SHEET TITLE:
**NURSE STATION
 DIEWALL FRAMING**

DRAWN BY: TM | DATE: 03/14/07
 JOB: | SHEET NO.