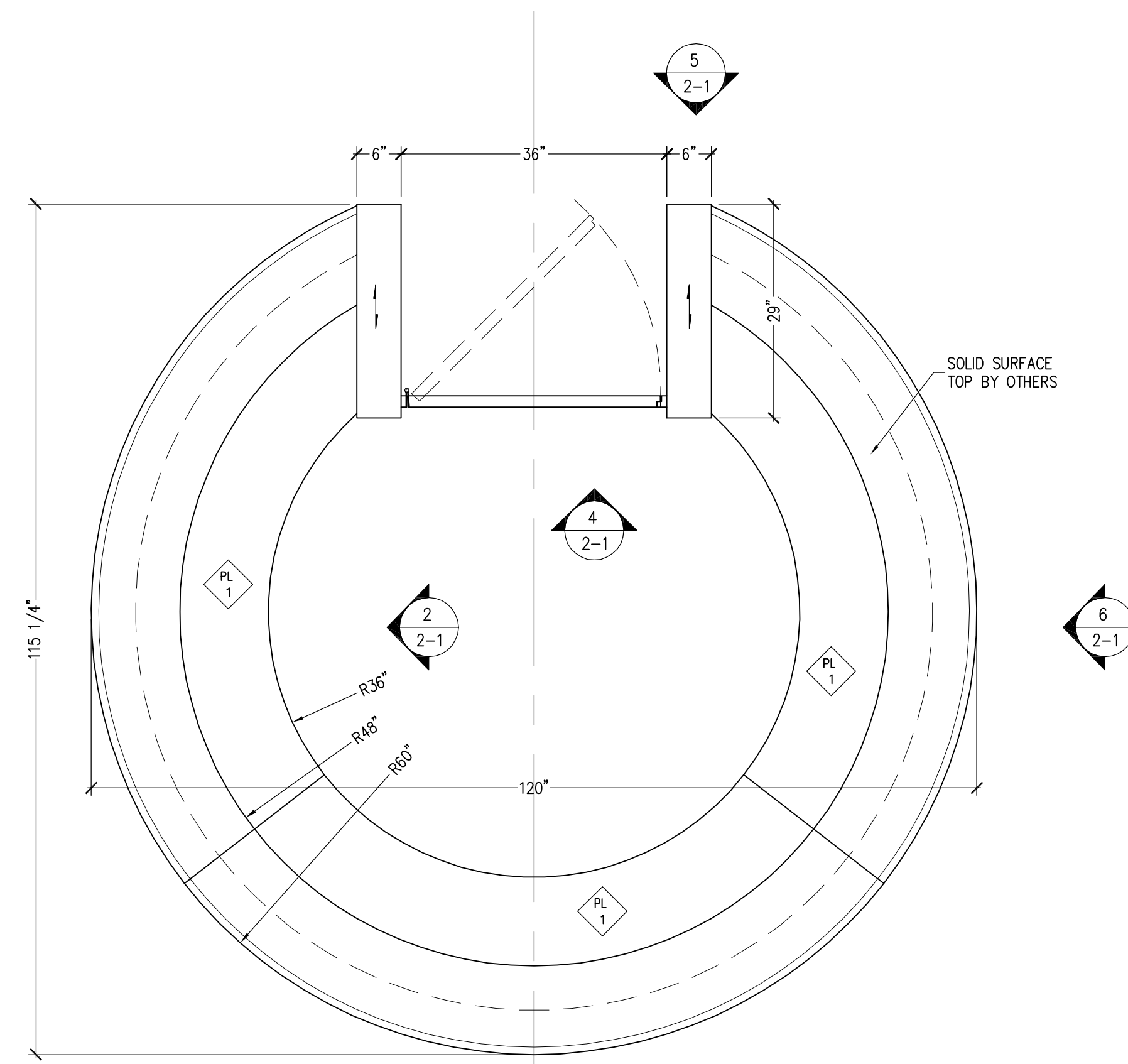
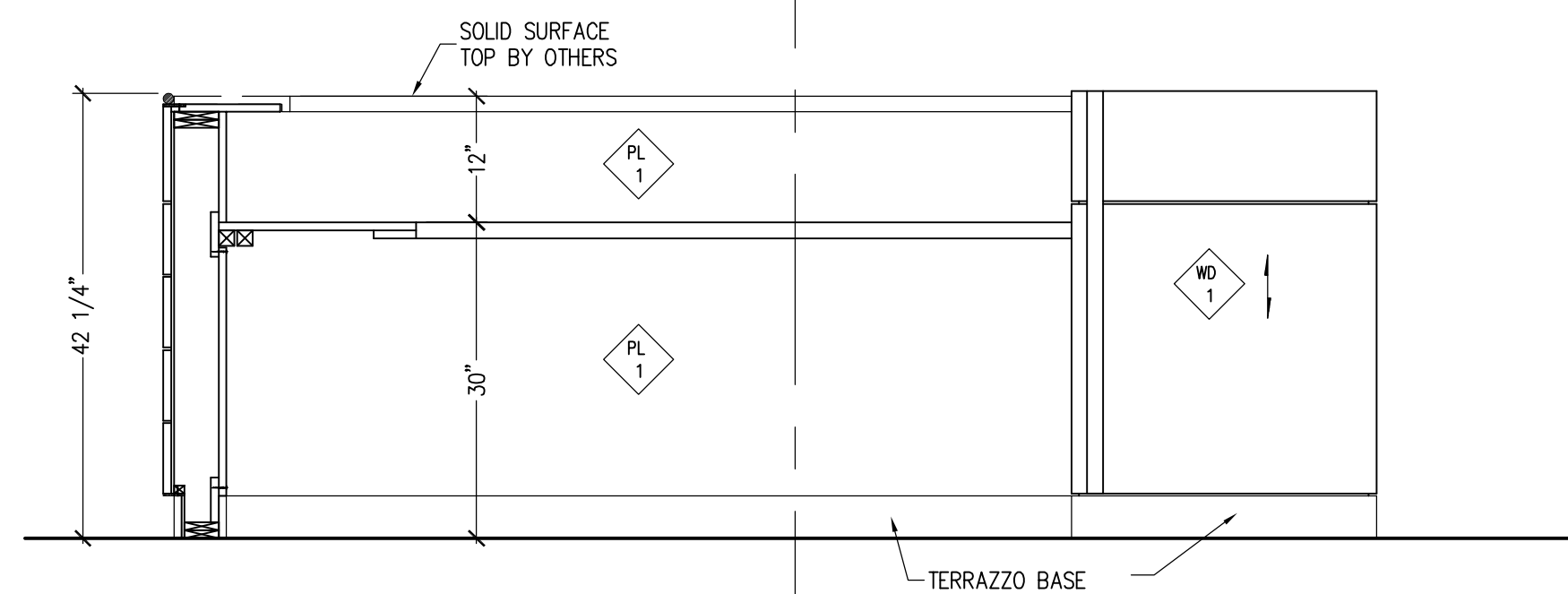


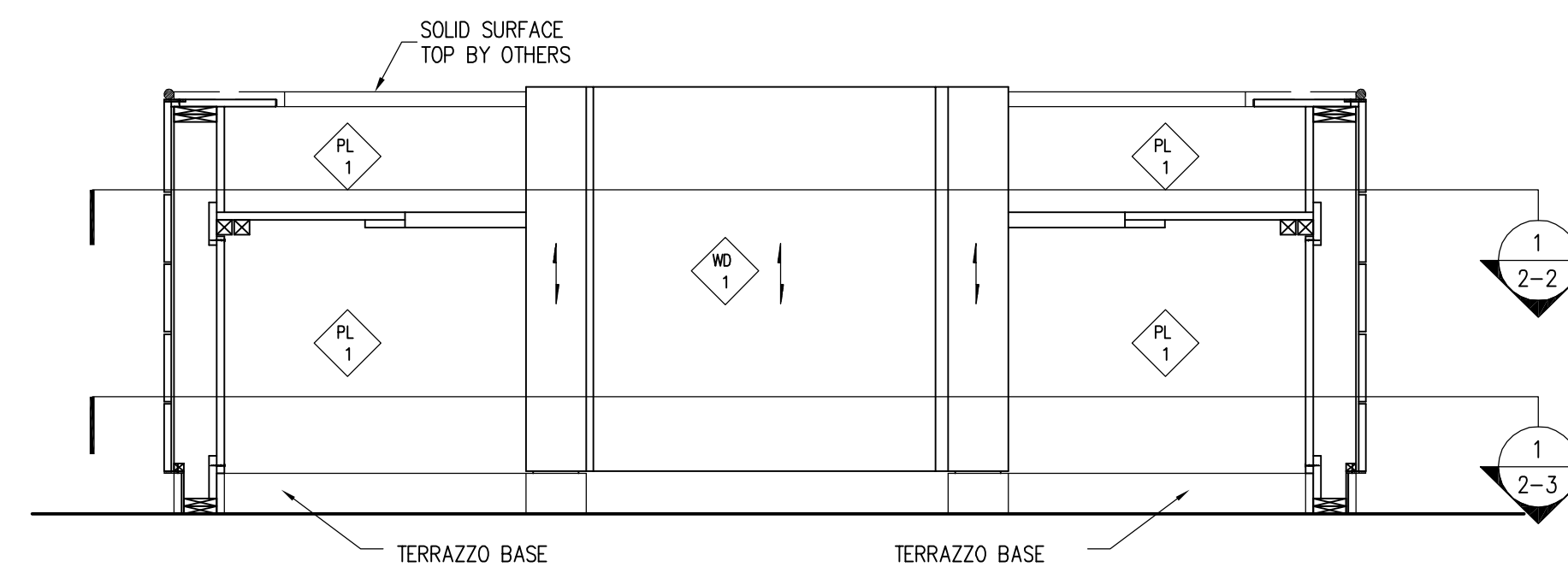
MATERIAL SPECIFICATIONS			
TYPE	DESCRIPTION	M.R.	
CORE	PARTICLE BD.		
VENEER	WD-1, RIFT CUT WHITE OAK		
SOLID			
FINISH	TO MATCH SAMPLE		
PLAM	PL-1 PLEASE SPECIFY		
HARDWARE LIST			
QTY:	DESCRIPTION	M.R.	
INFORMATION SYSTEMS			
ITEM #	DESCRIPTION	CUST.	PROD.



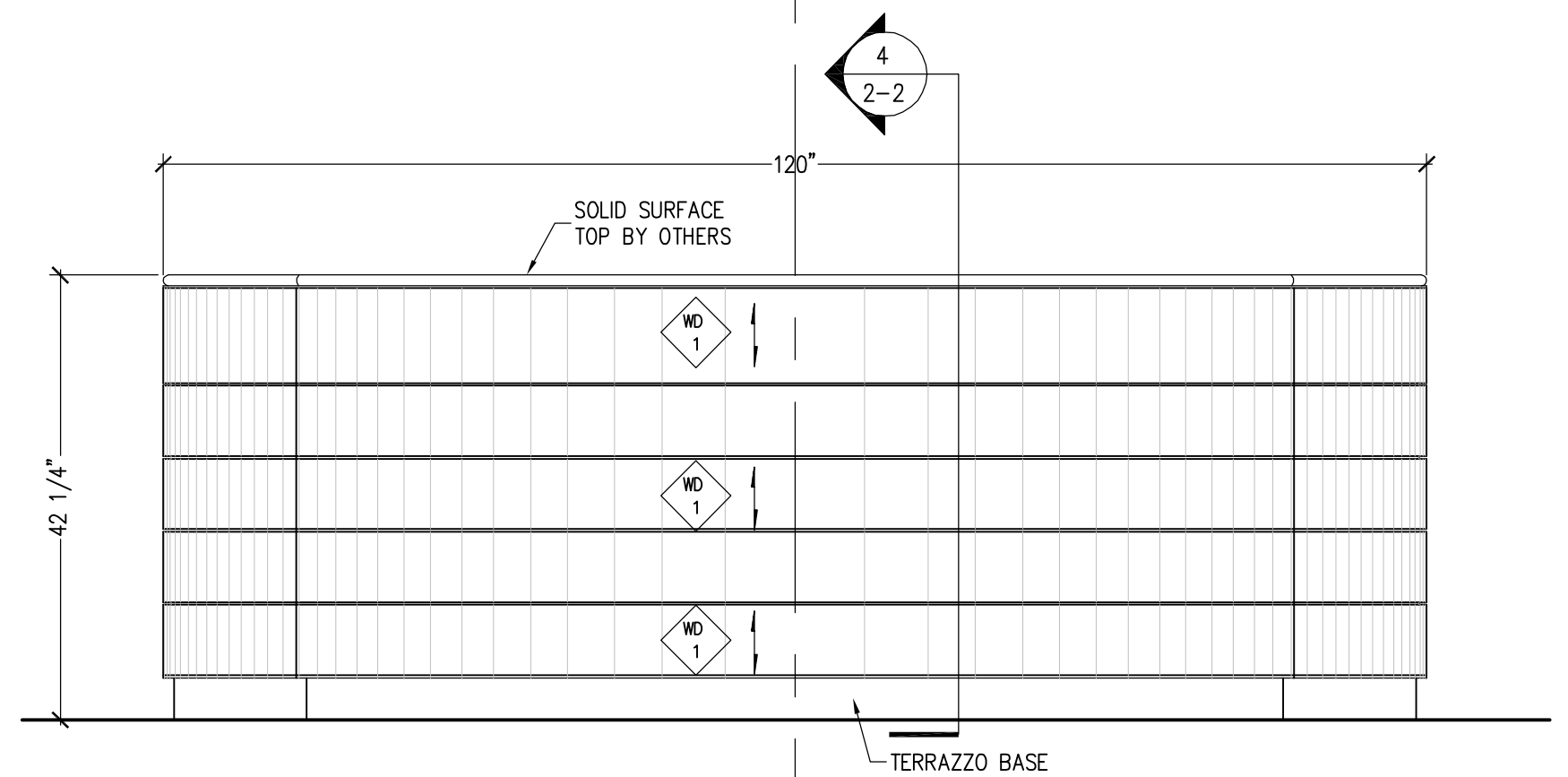
1 PLAN VIEW
2-1 SCALE: 3/4"=12" WAITING RM 1D01
REF: 1/A-111C



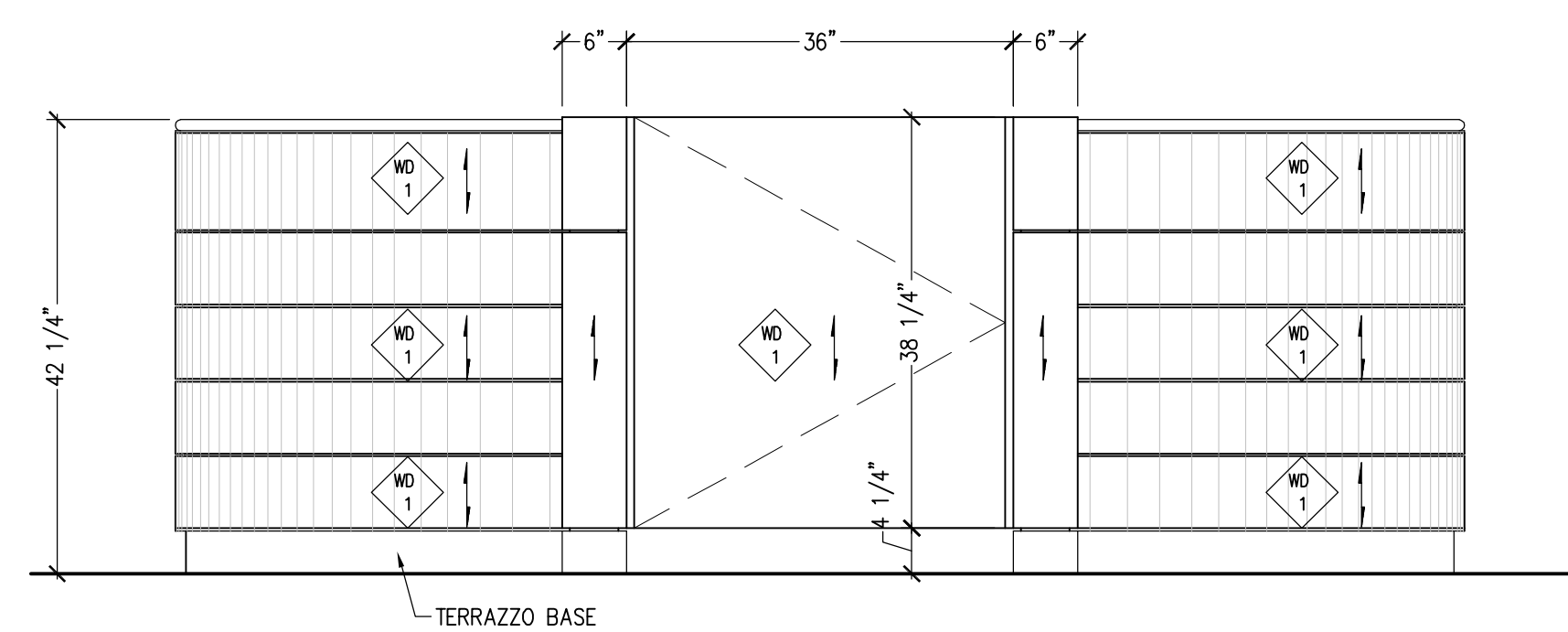
2 ELEVATION
2-1 SCALE: 3/4"=12" WAITING RM 1D01
REF: NONE



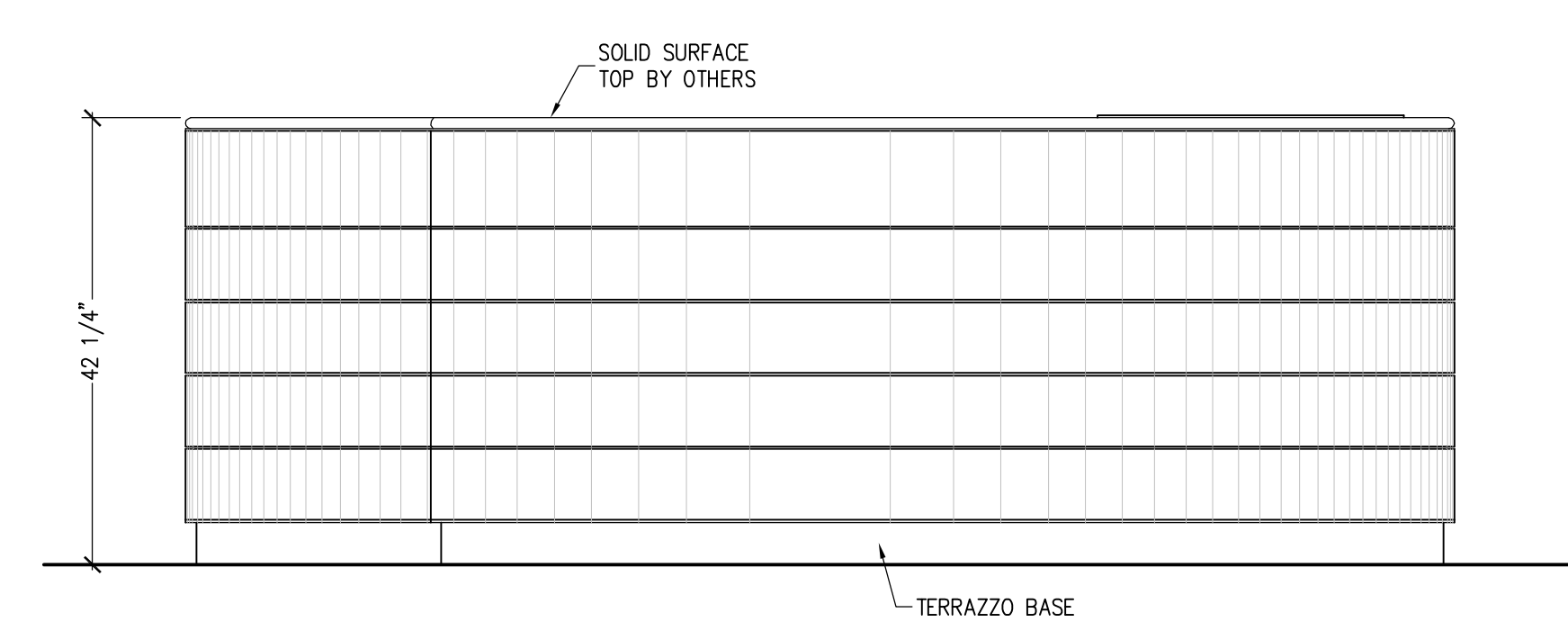
4 ELEVATION
2-1 SCALE: 3/4"=12" WAITING RM 1D01
REF: 14C/A-801



3 ELEVATION
2-1 SCALE: 3/4"=12" WAITING RM 1D01
REF: 14B/A-801



5 ELEVATION
2-1 SCALE: 3/4"=12" WAITING RM 1D01
REF: NONE



6 ELEVATION
2-1 SCALE: 3/4"=12" WAITING RM 1D01
REF: NONE

PROJECT NO.

CUTBILL NO.

PSI WORK ORDER NO.

SCALE AS SHOWN

DRAWN BY TM DATE 05/11/06

DELIVERY DATE

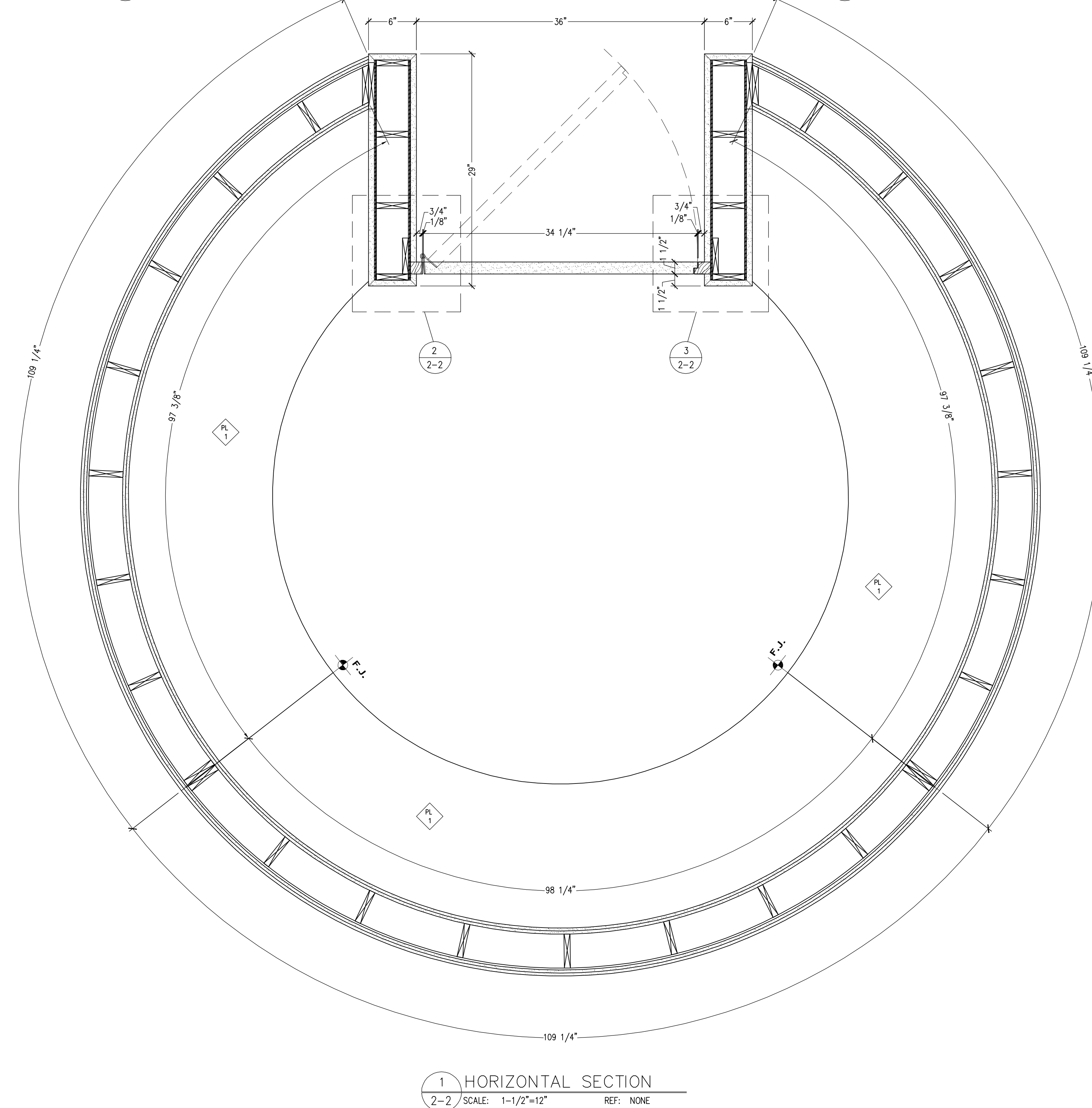
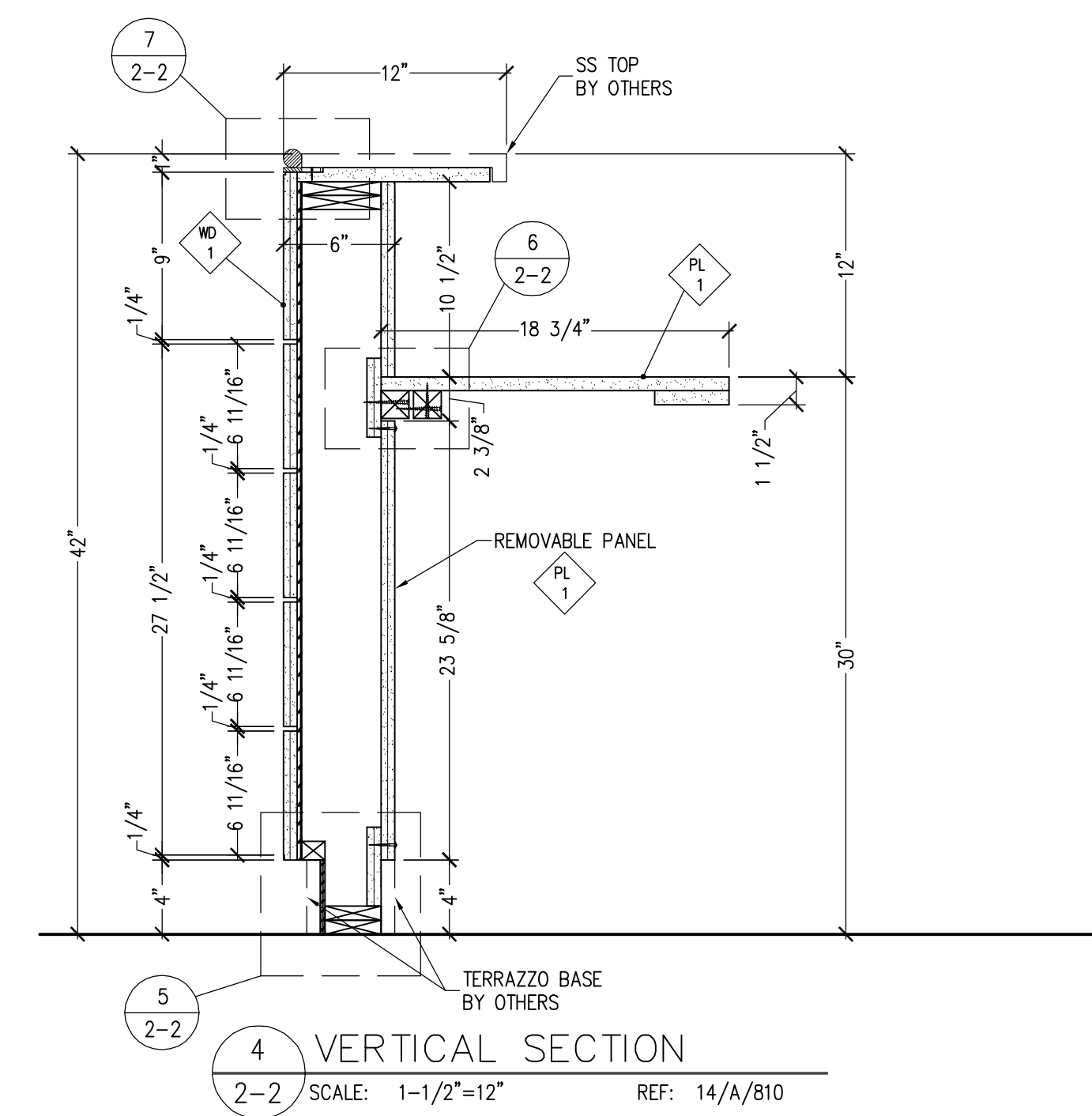
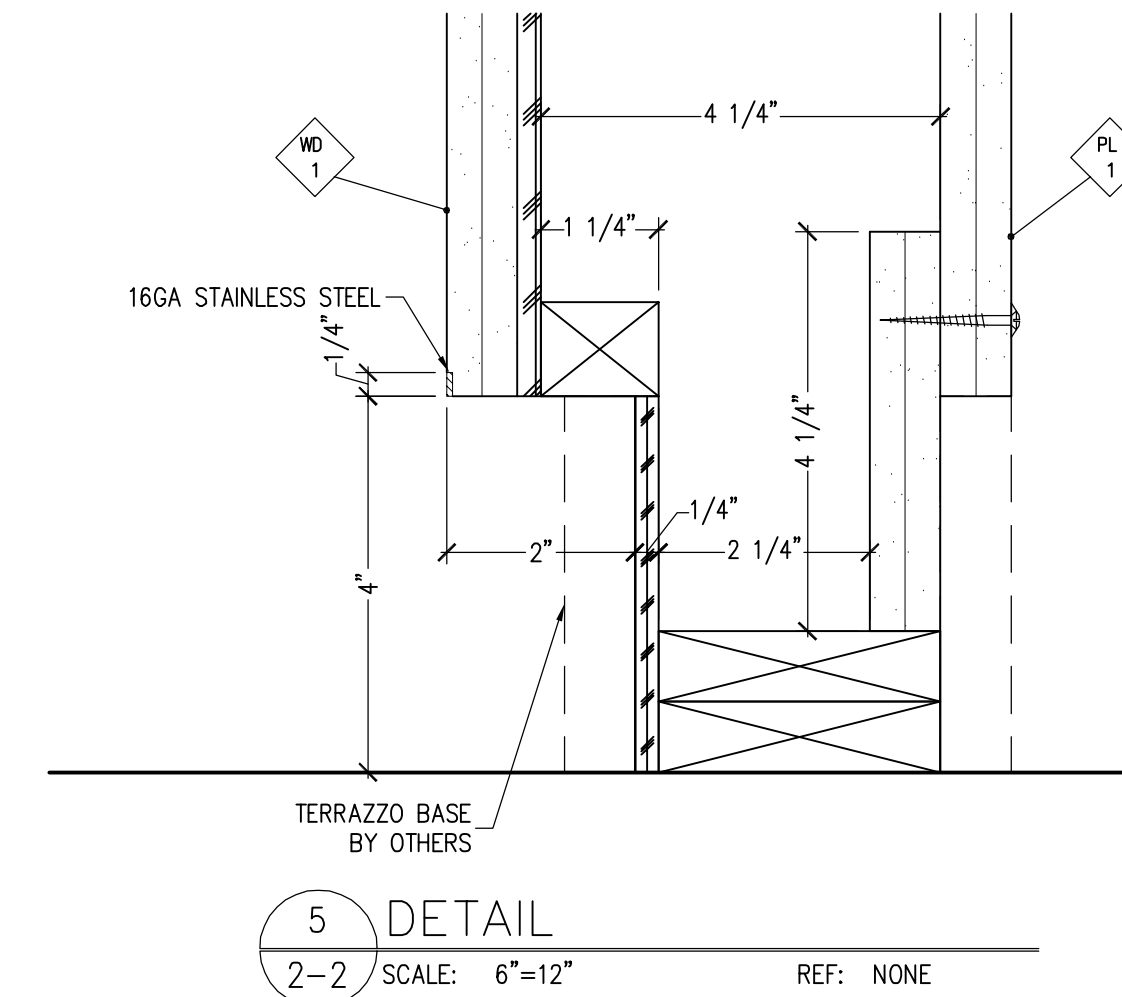
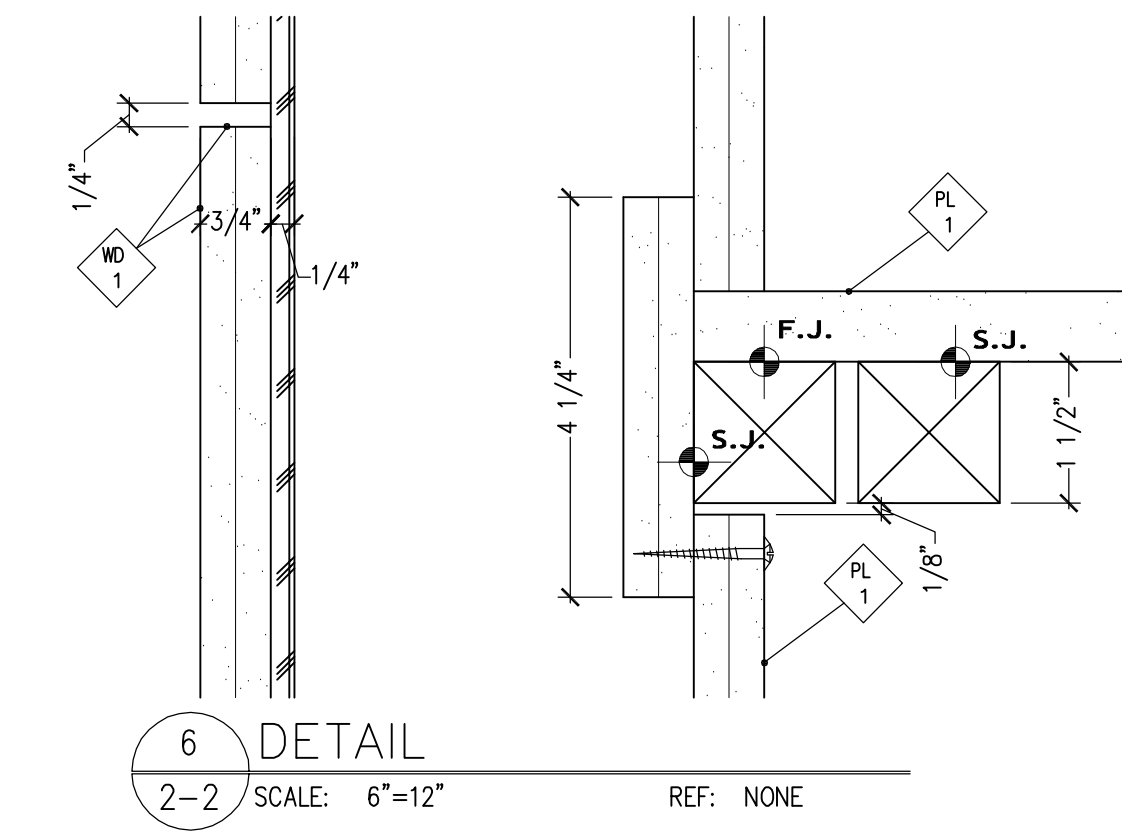
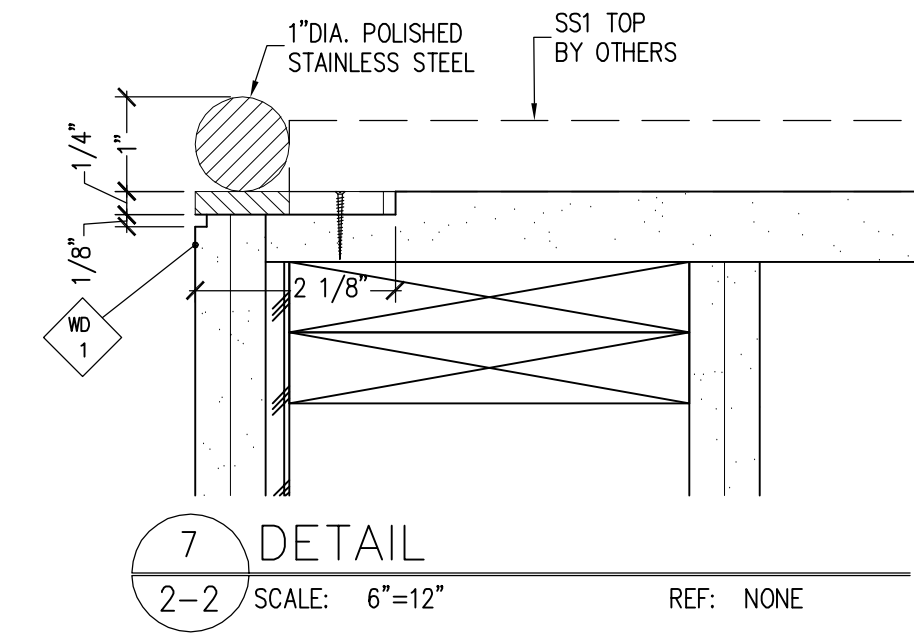
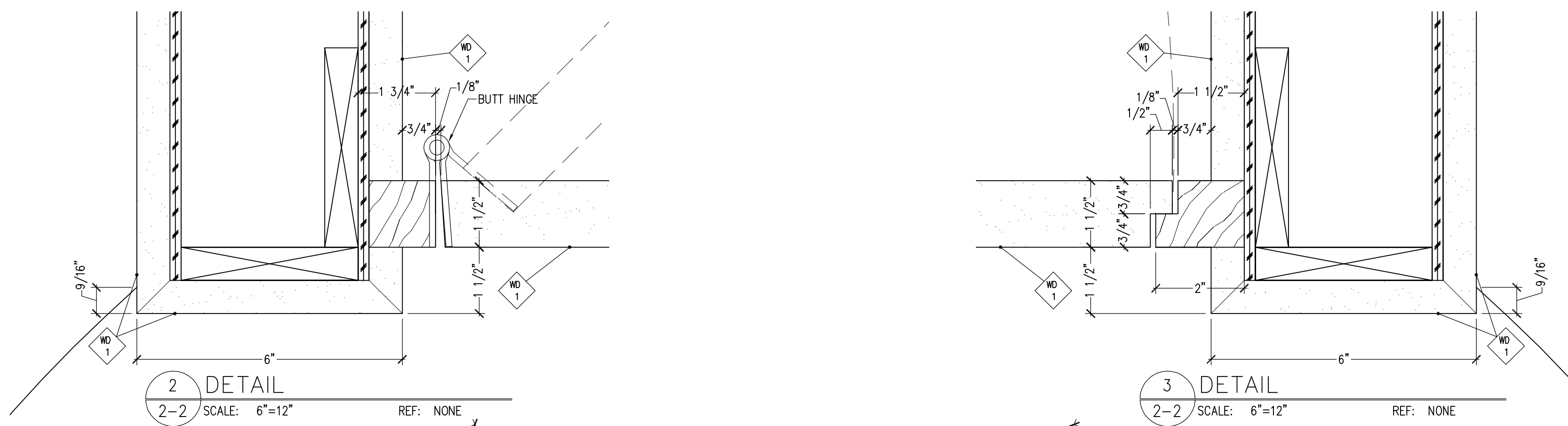
REVISIONS

NO.	DATE	DESCRIPTION
1		
2		
3		
4		
5		
6		
7		
8		
9		
10		
11		
12		

SHEET NO.

2-1

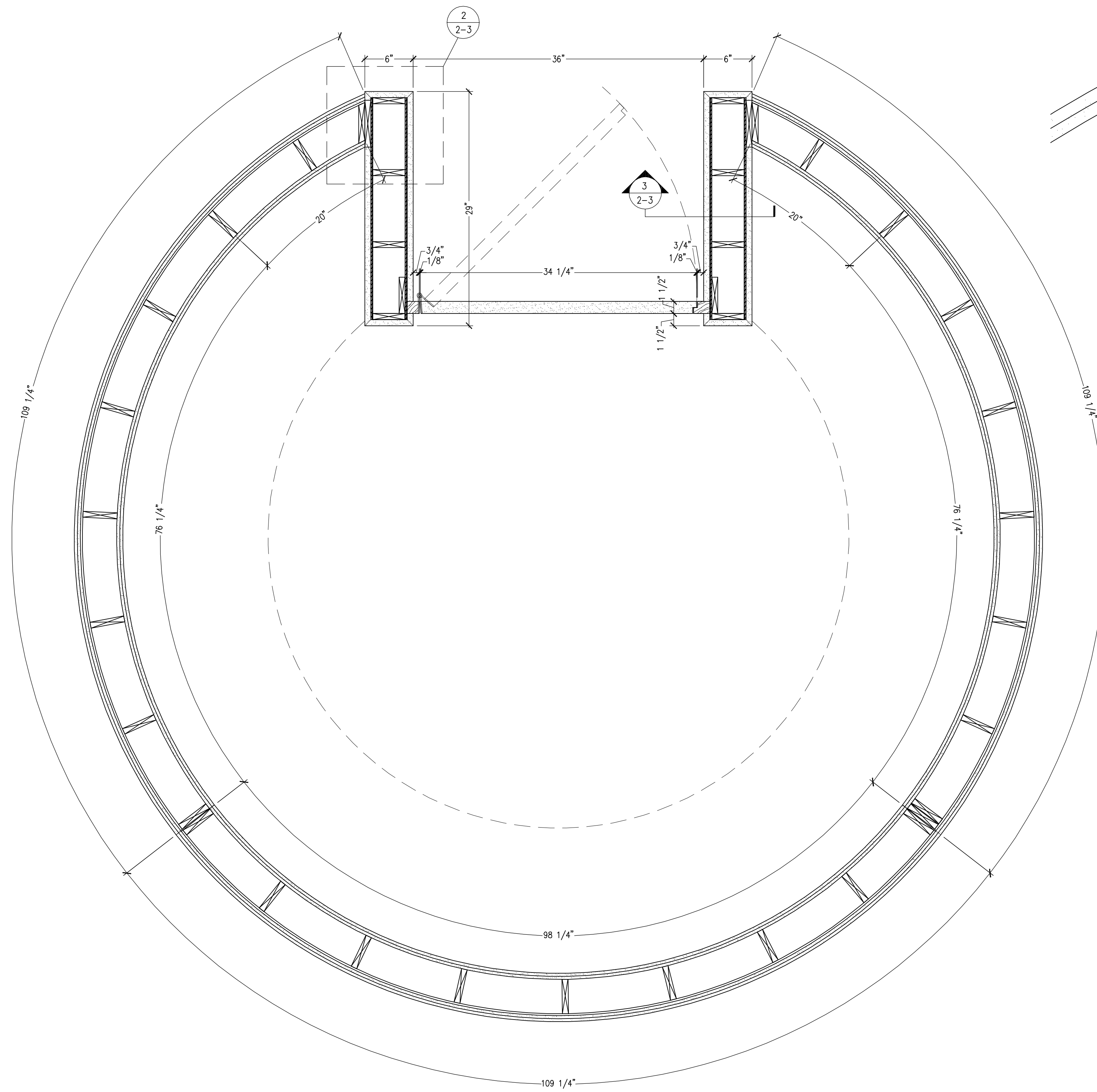
PRELIMINARY



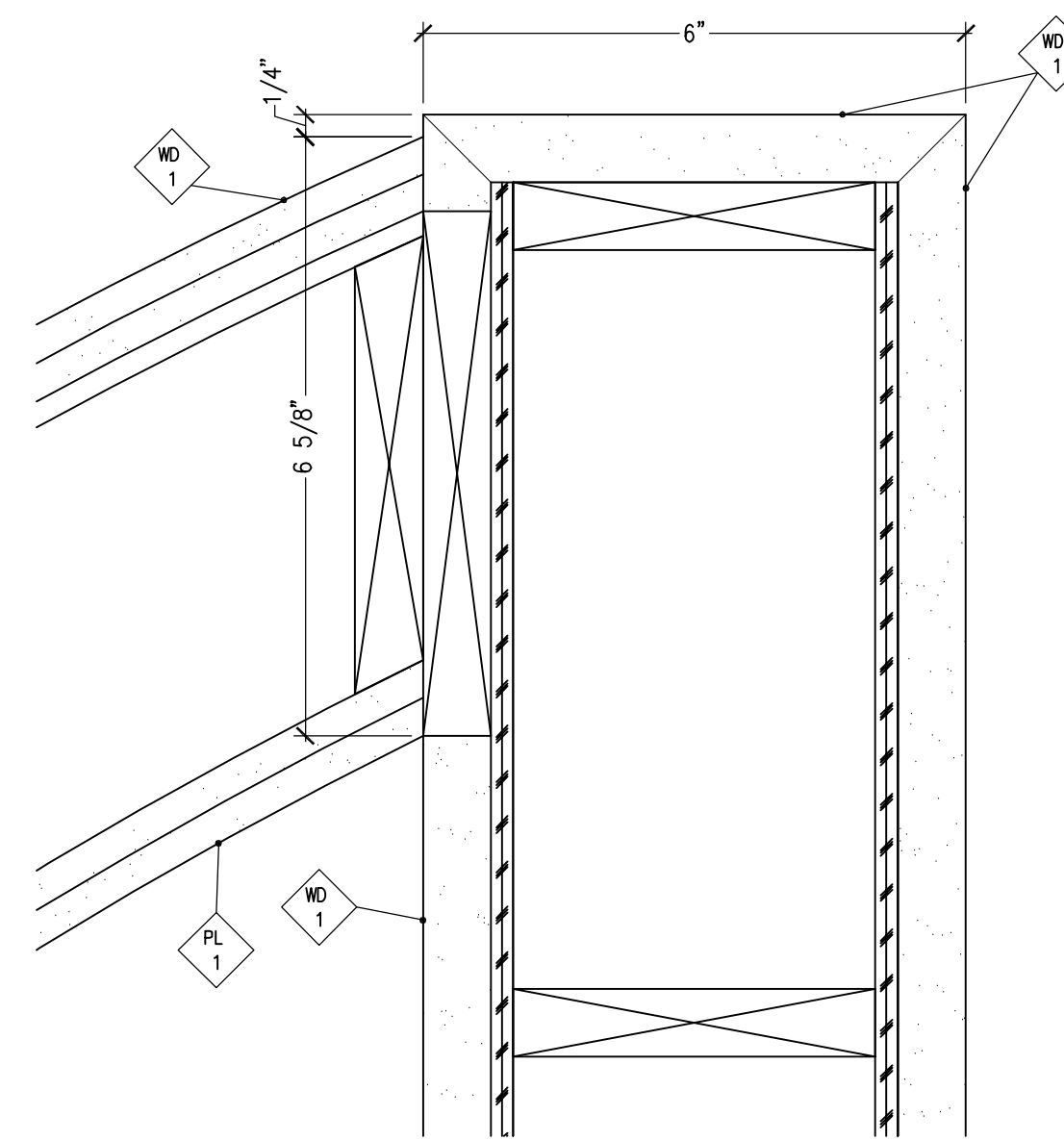
PROJECT NO.
CUTBILL NO.
PSI WORK ORDER NO.
SCALE AS SHOWN
DRAWN BY DATE
TM 05/11/06
DELIVERY DATE

REVISIONS		
NO.	DATE	DESCRIPTION
1		
2		
3		
4		
5		
6		
7		
8		
9		
10		
11		
12		

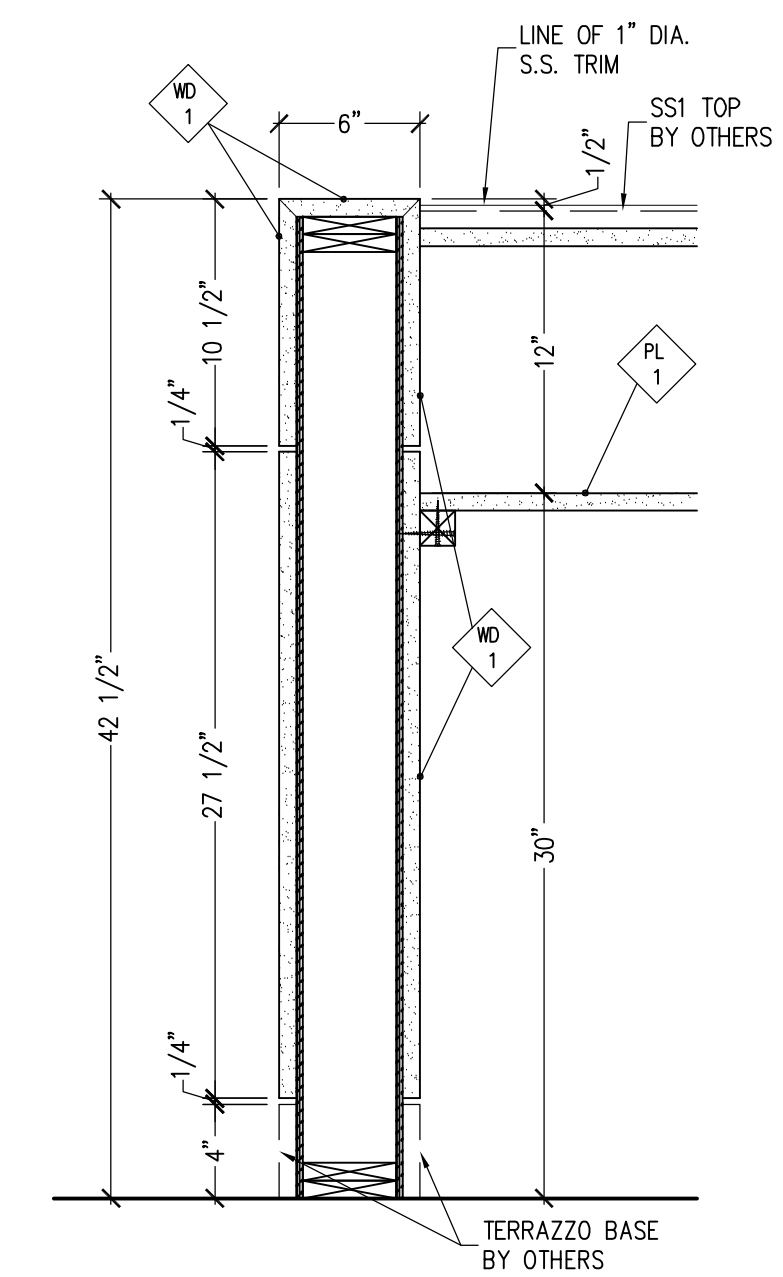
SHEET NO.
2-2
PRELIMINARY



1 HORIZONTAL SECTION
2-3 SCALE: 1-1/2"=12" REF: NONE



2 DETAIL
2-3 SCALE: 6"=12" REF: NONE



3 VERTICAL SECTION
2-3 SCALE: 1-1/2"=12" REF: NONE

PROJECT NO.

CUTBILL NO.

PSI WORK ORDER NO.

SCALE
AS SHOWN

DRAWN BY DATE
TM 05/15/06

DELIVERY DATE

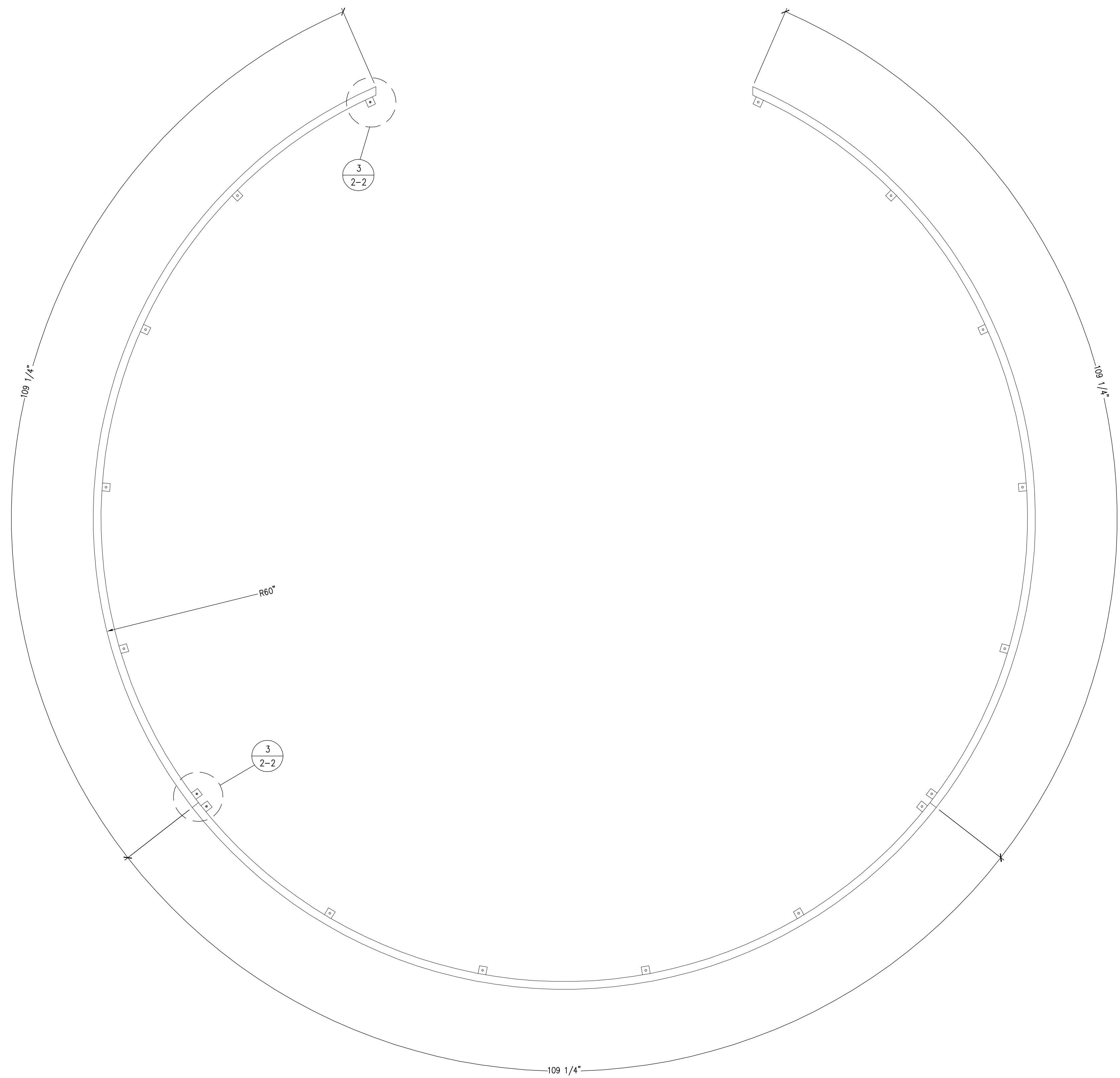
REVISIONS

NO.	DATE	DESCRIPTION
1		
2		
3		
4		
5		
6		
7		
8		
9		
10		
11		
12		

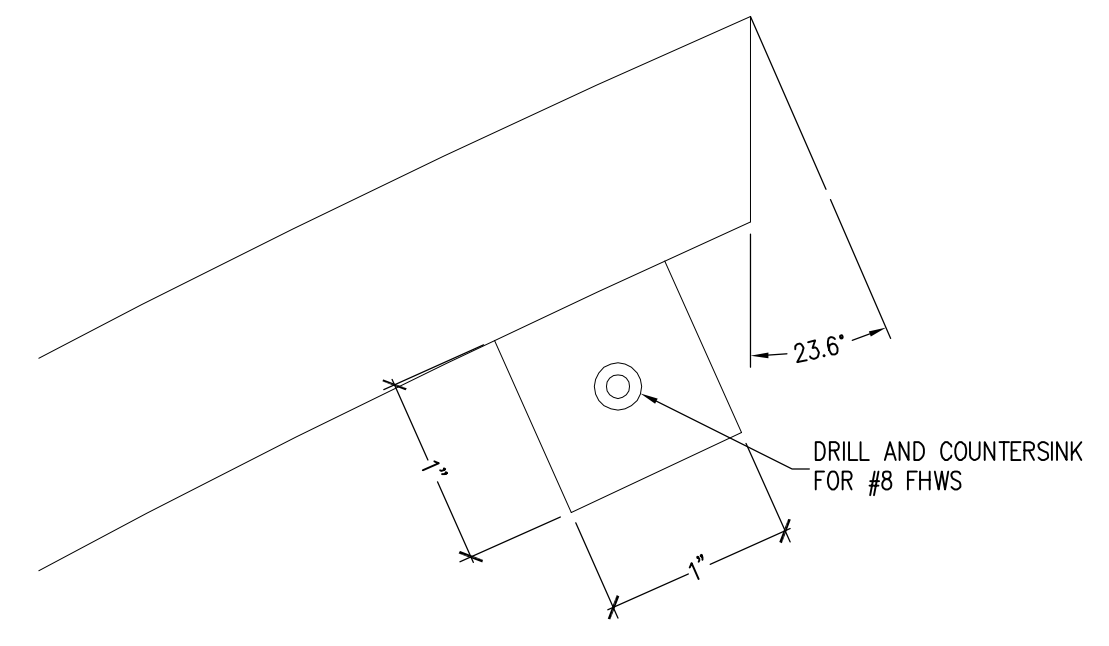
SHEET NO.

2-3

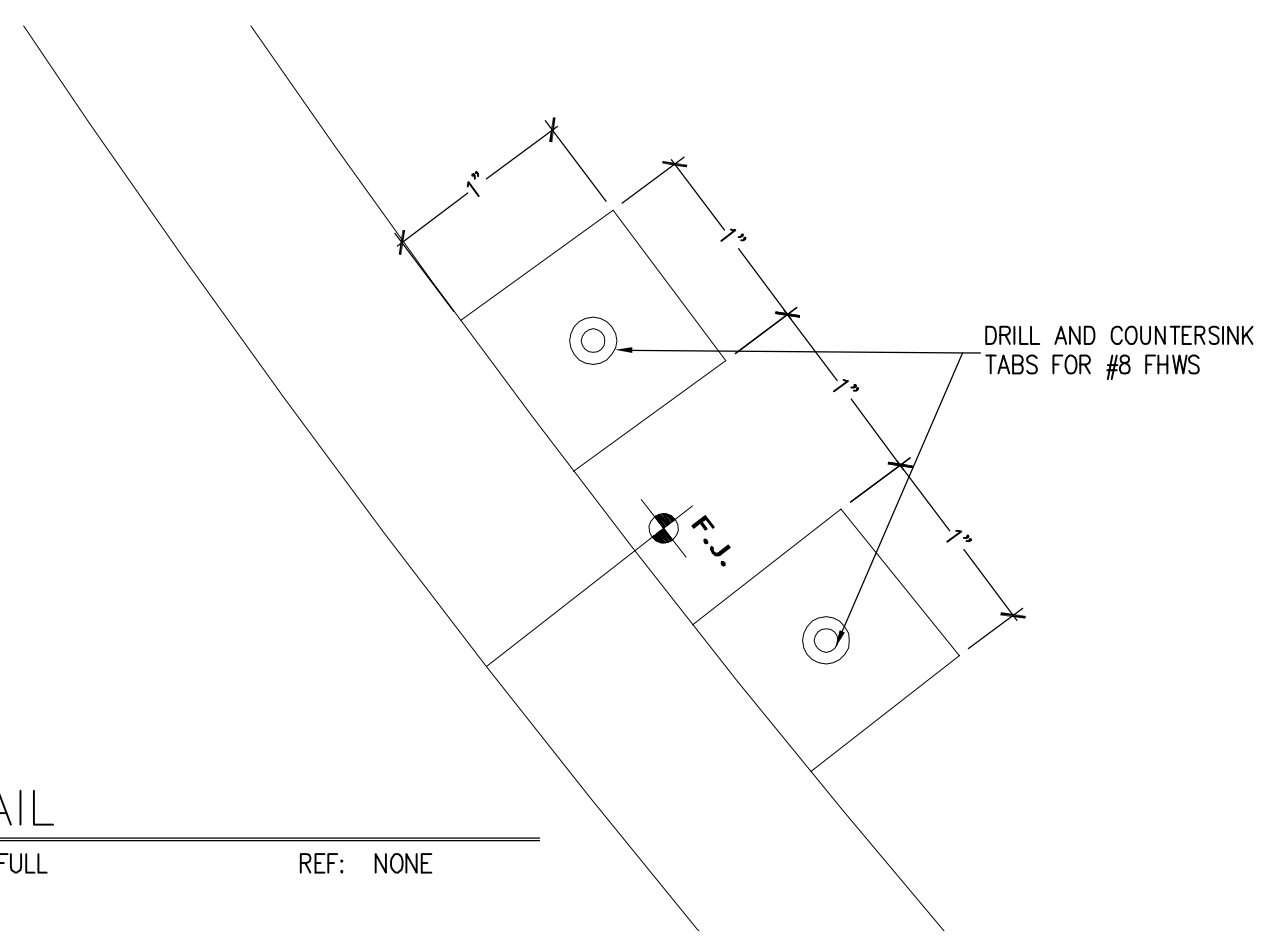
PRELIMINARY



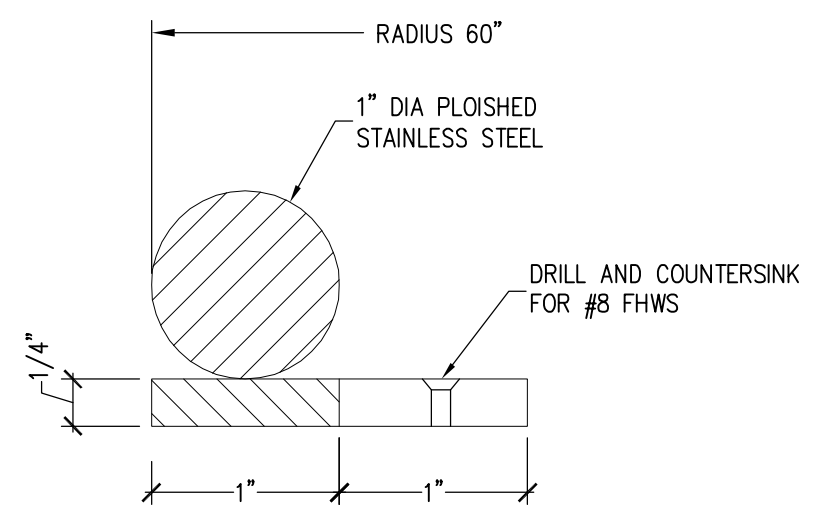
1 S.S. TRIM LAYOUT
 2-4 SCALE: 1-1/2"=12" REF: NONE



3 DETAIL
 2-4 SCALE: FULL REF: NONE



4 DETAIL
 2-4 SCALE: FULL REF: NONE



2 S.S. TRIM DETAIL
 2-4 SCALE: FULL REF: NONE

PROJECT NO.
 CUTBILL NO.
 PSI WORK ORDER NO.
 SCALE
 AS SHOWN
 DRAWN BY DATE
 TM 05/15/06
 DELIVERY DATE

REVISIONS		
NO.	DATE	DESCRIPTION
1		
2		
3		
4		
5		
6		
7		
8		
9		
10		
11		
12		

SHEET NO.
 2-4
 PRELIMINARY