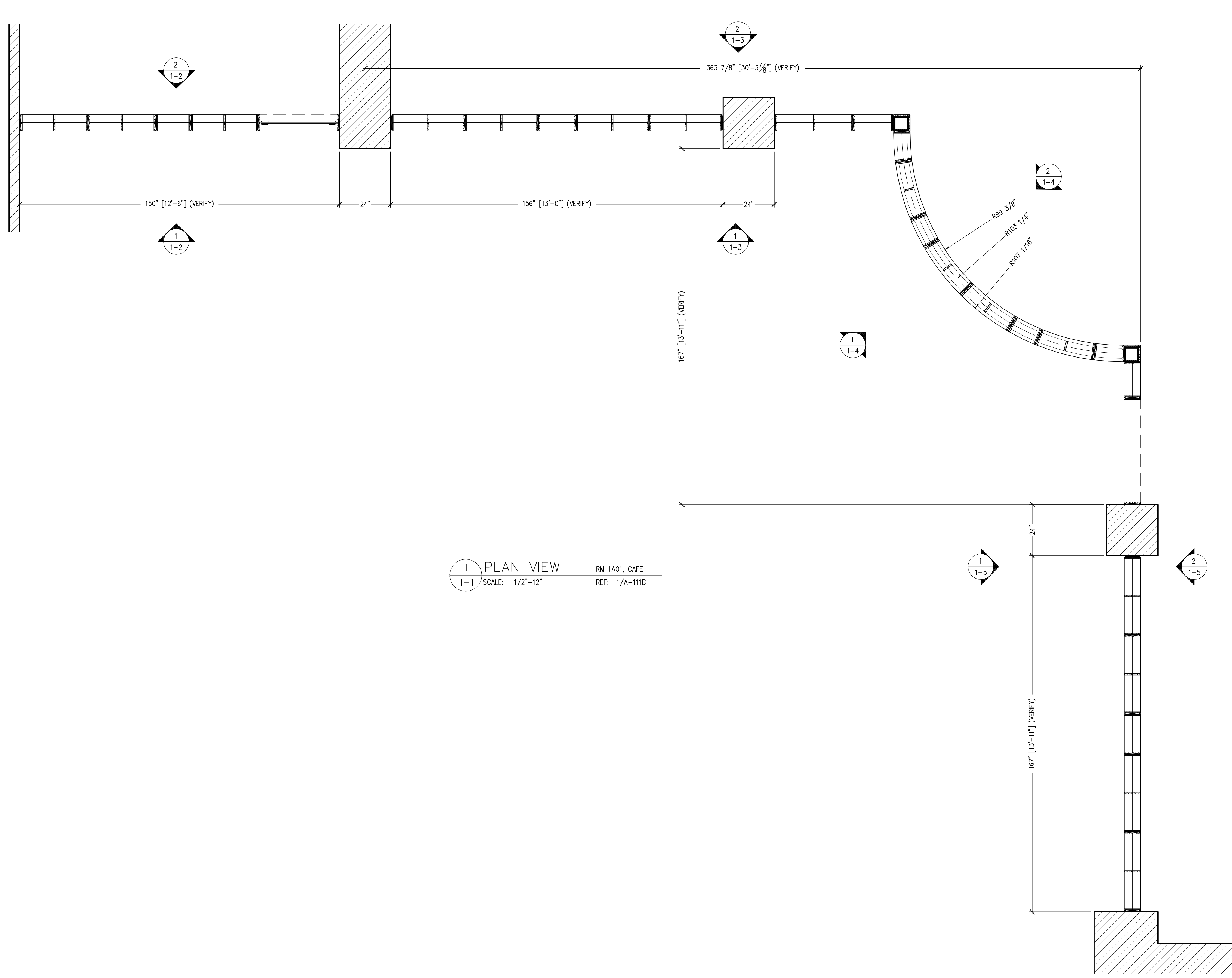
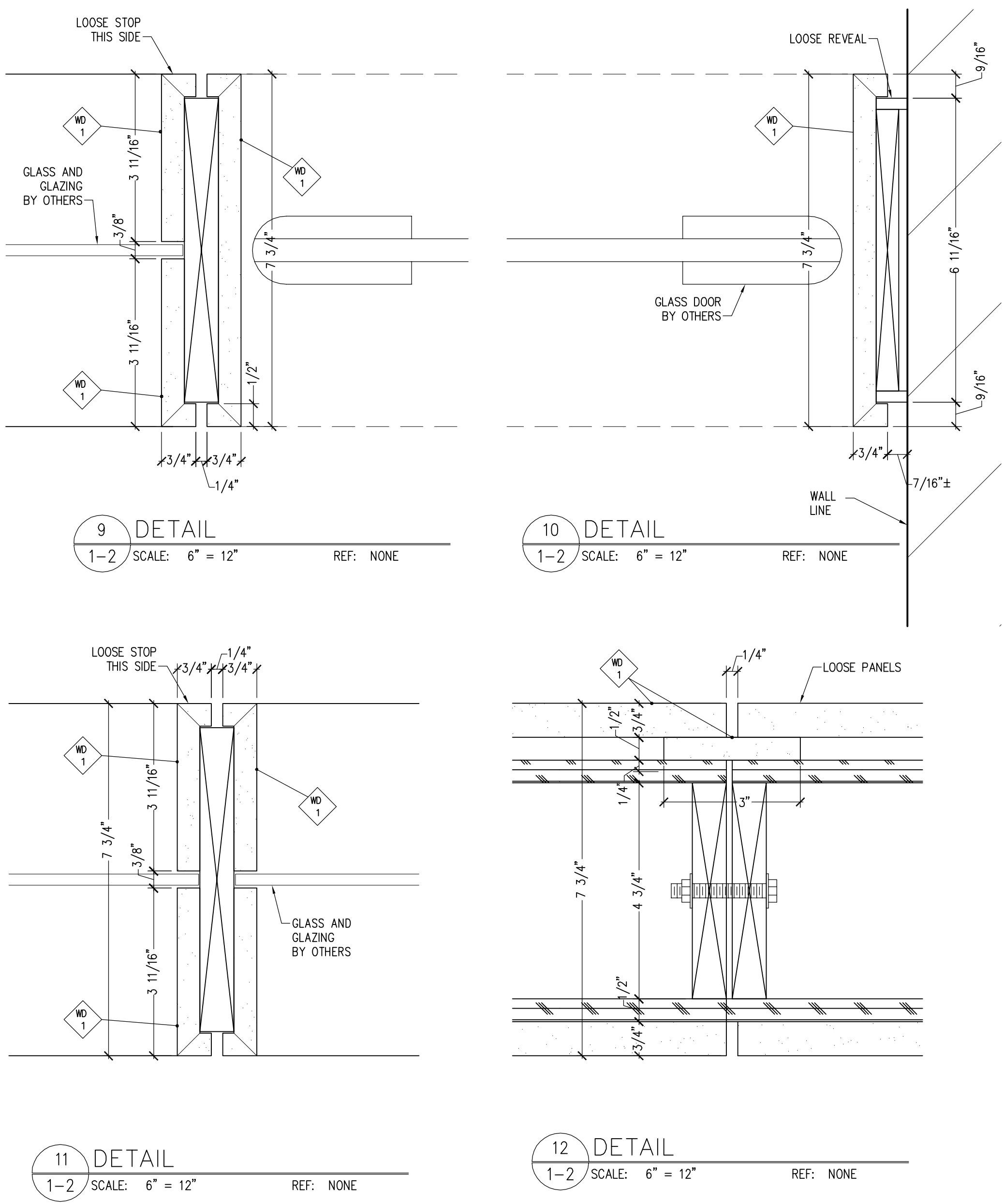
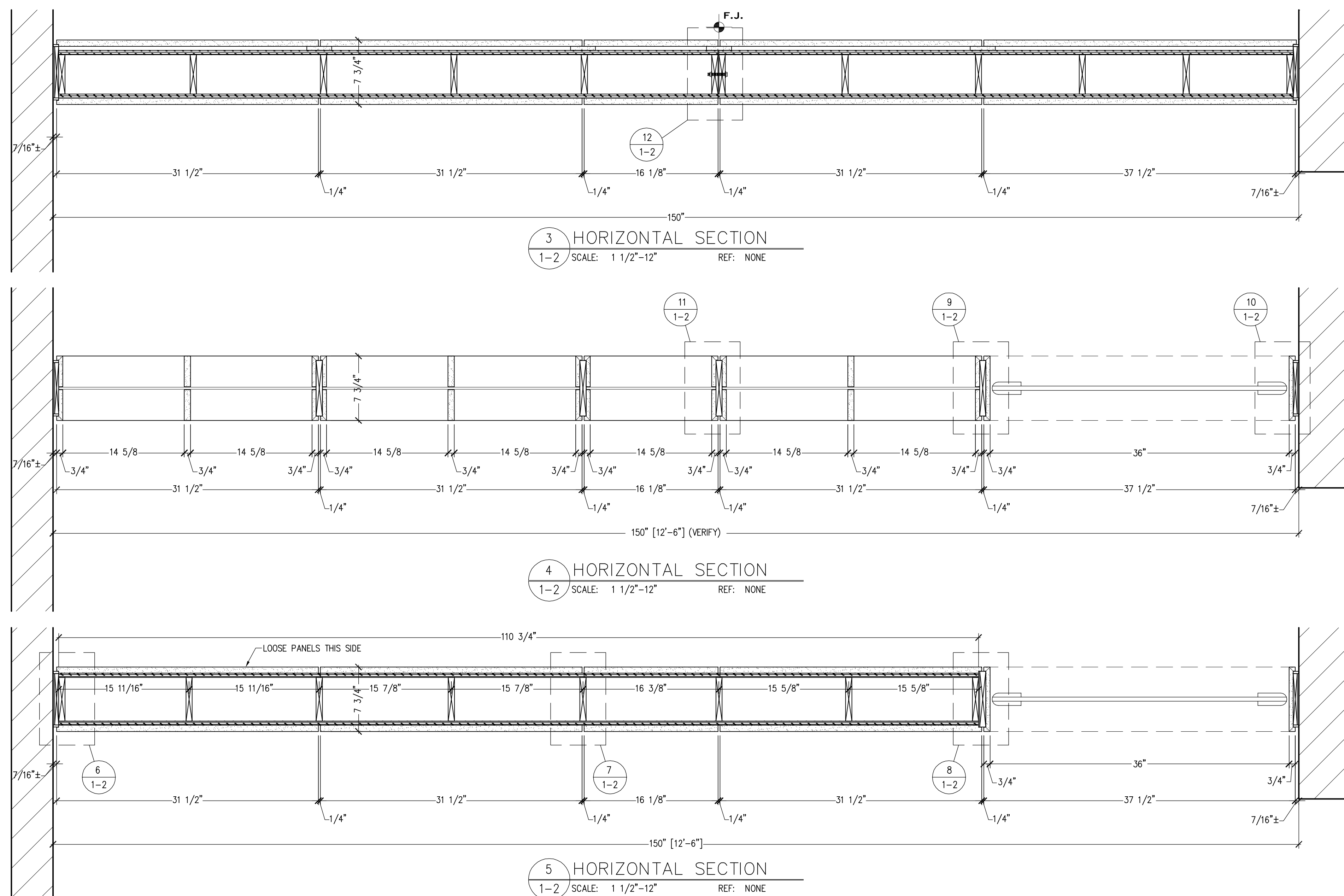
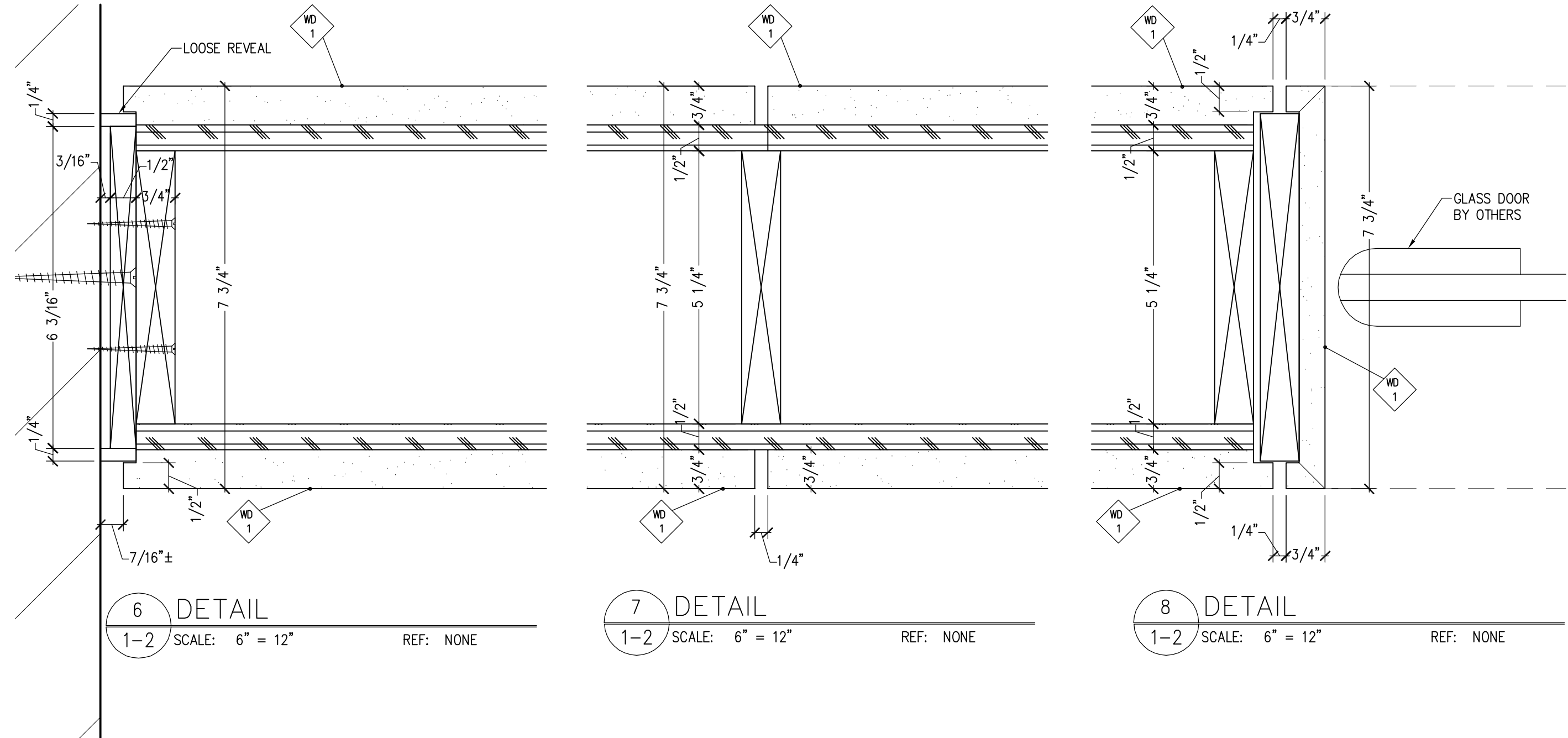
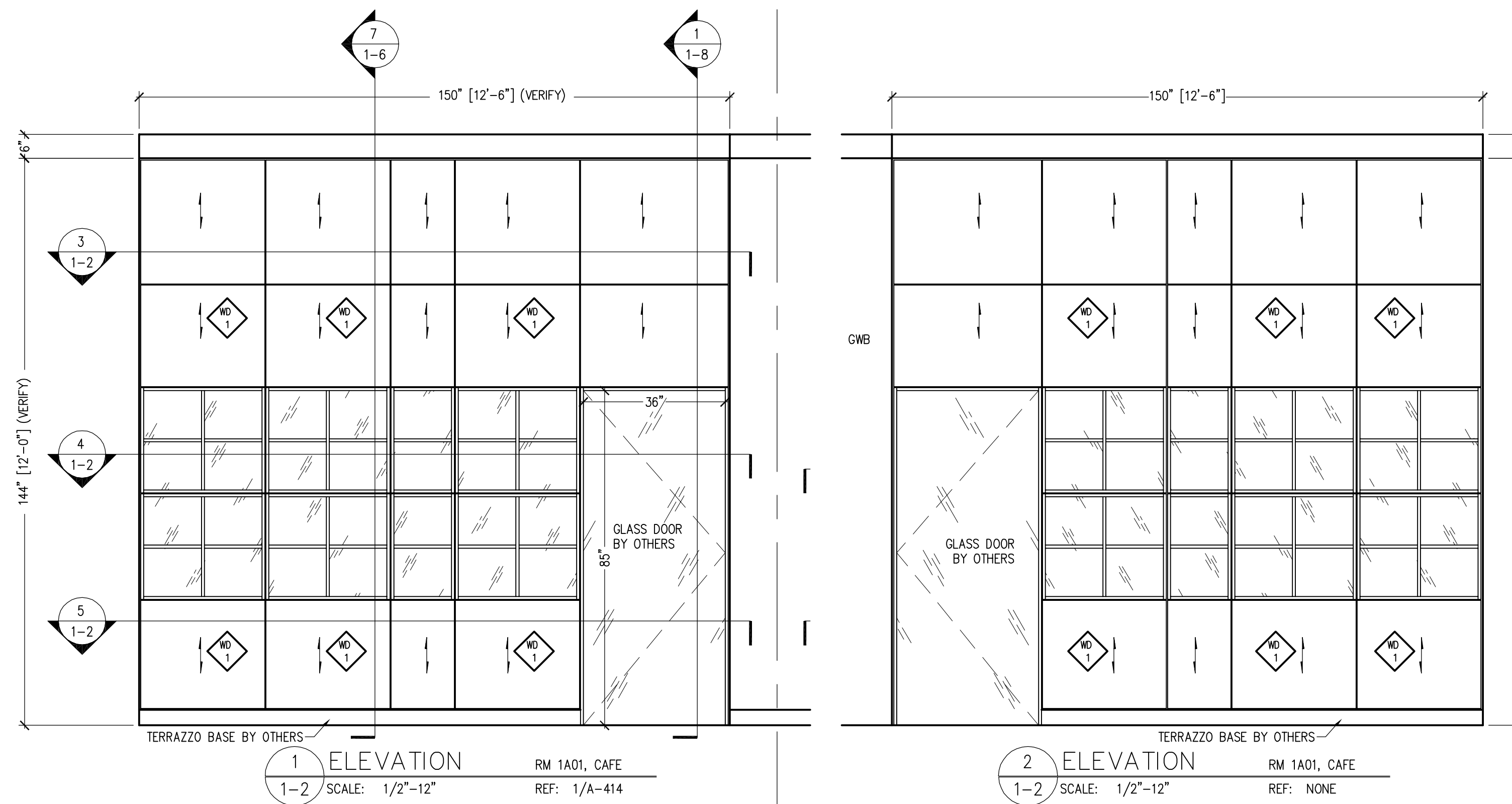


MATERIAL SPECIFICATIONS			
TYPE	DESCRIPTION	M.R.	
CORE	F.R. PARTICLE BOARD		
VENEER	RIFT CUT WHITE OAK		
SOLID	RIFT SAWN WHITE OAK		
FINISH	TO MATCH SAMPLE		
HARDWARE LIST			
QTY:	DESCRIPTION	M.R.	
INFORMATION SYSTEMS			
ITEM #	DESCRIPTION	CUST.	PROD.

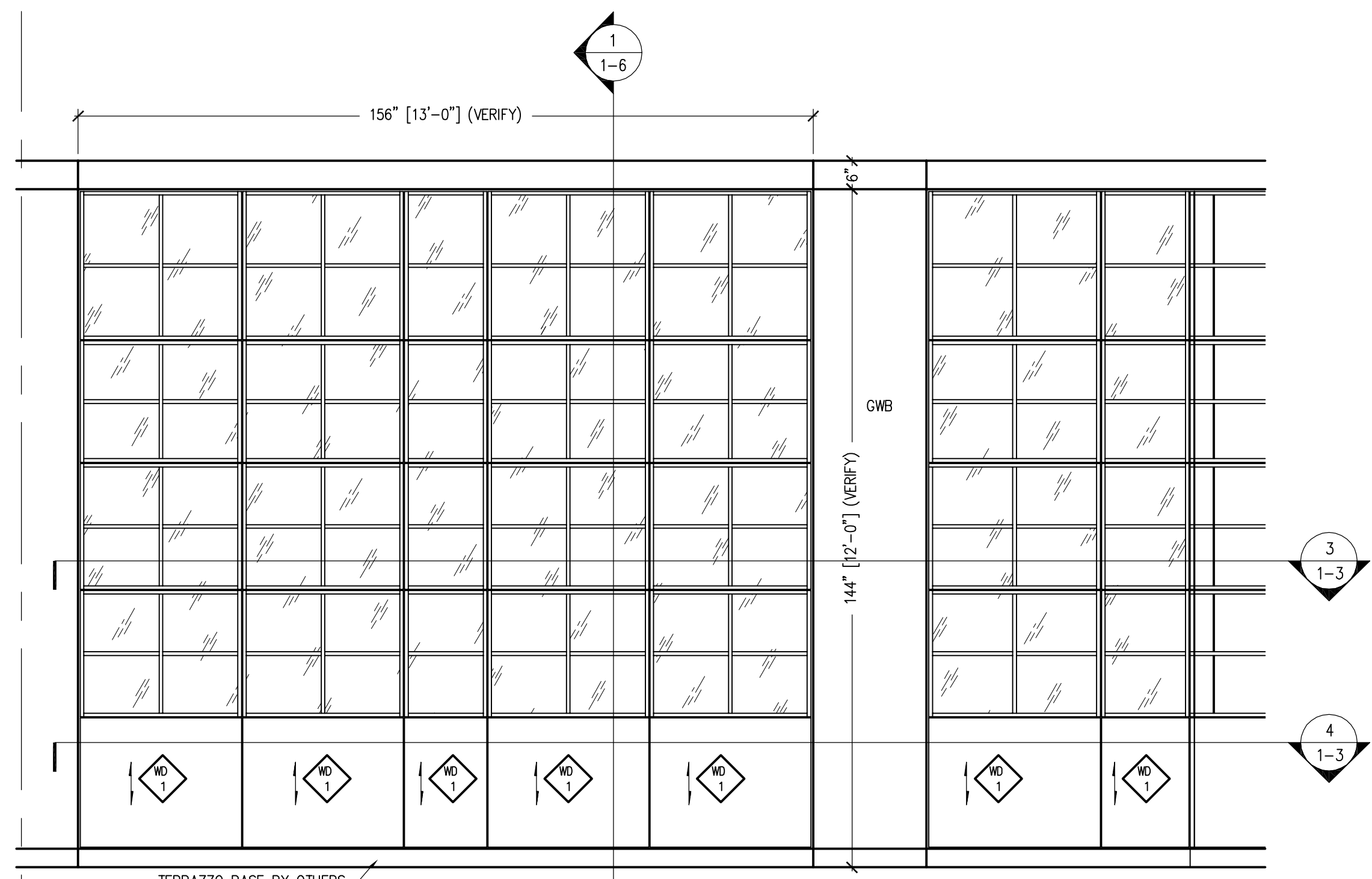


1 PLAN VIEW
 1-1 SCALE: 1/2"=12" RM 1A01, CAFE REF: 1/A-111B

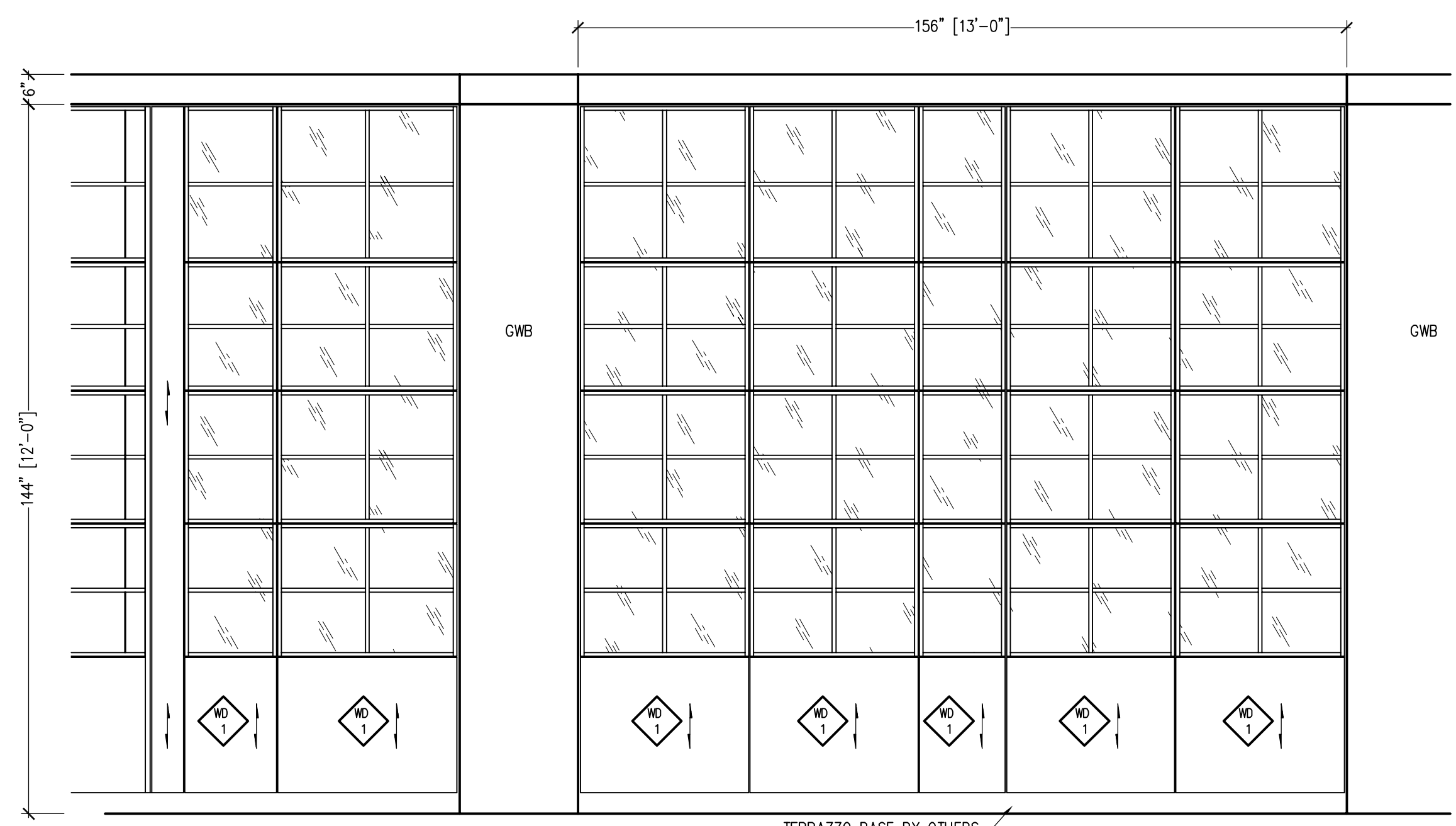
PROJECT NO.		
CUTBILL NO.		
PSI WORK ORDER NO.		
SCALE AS SHOWN		
DRAWN BY TM	DATE 05/05/06	
DELIVERY DATE		
REVISIONS		
NO.	DATE	DESCRIPTION
1		
2		
3		
4		
5		
6		
7		
8		
9		
10		
11		
12		
SHEET NO.	1-1	
	PRELIMINARY	



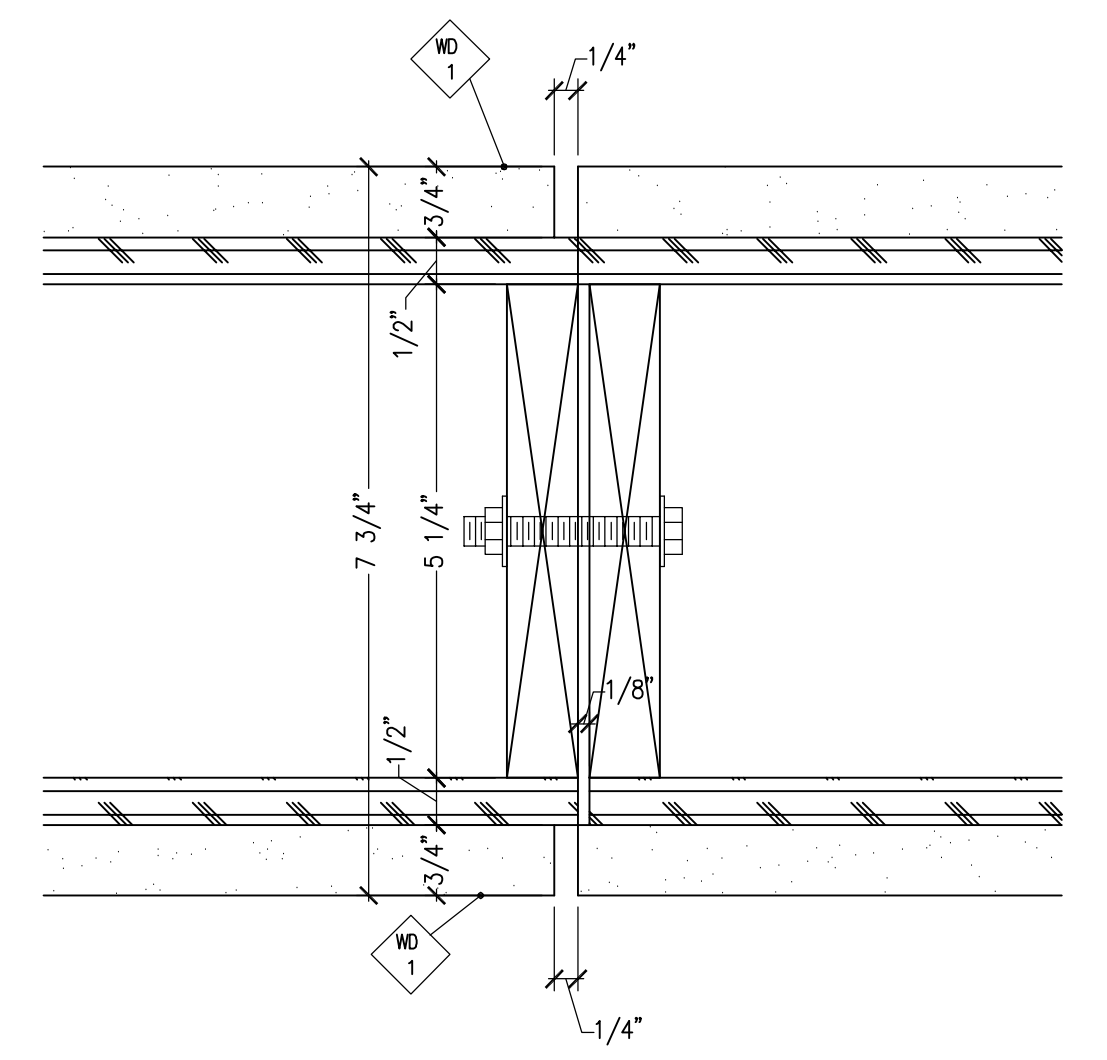
PROJECT NO.		
CUTBILL NO.		
PSI WORK ORDER NO.		
SCALE AS SHOWN		
DRAWN BY TM	DATE 05/05/06	
DELIVERY DATE		
REVISIONS		
NO.	DATE	DESCRIPTION
1		
2		
3		
4		
5		
6		
7		
8		
9		
10		
11		
12		
SHEET NO.	1-2	
	PRELIMINARY	



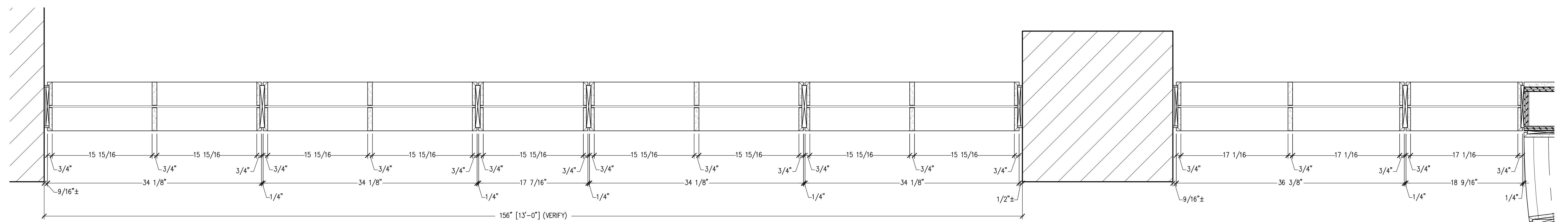
1 ELEVATION
1-3 SCALE: 1/2"=12"
RM 1A01, CAFE
REF: 1/A-414



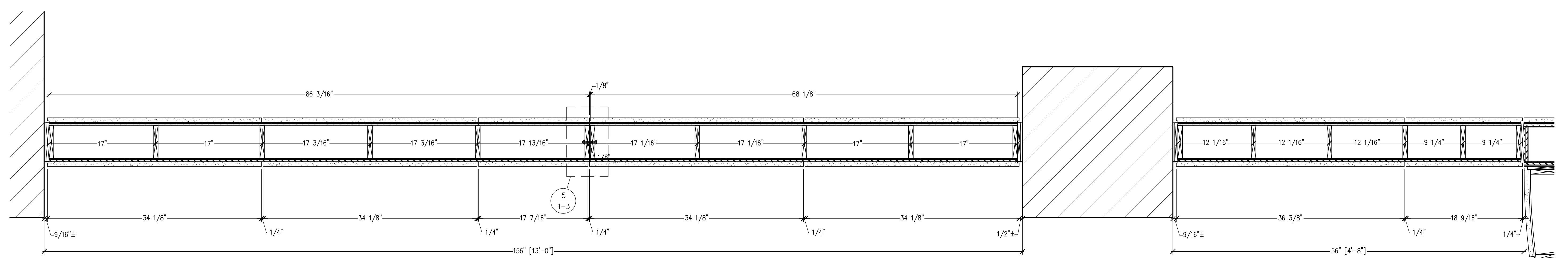
2 ELEVATION
1-3 SCALE: 1/2"=12"
RM 1A01, CAFE
REF: NONE



5 DETAIL
1-3 SCALE: 6"=12"
REF: NONE



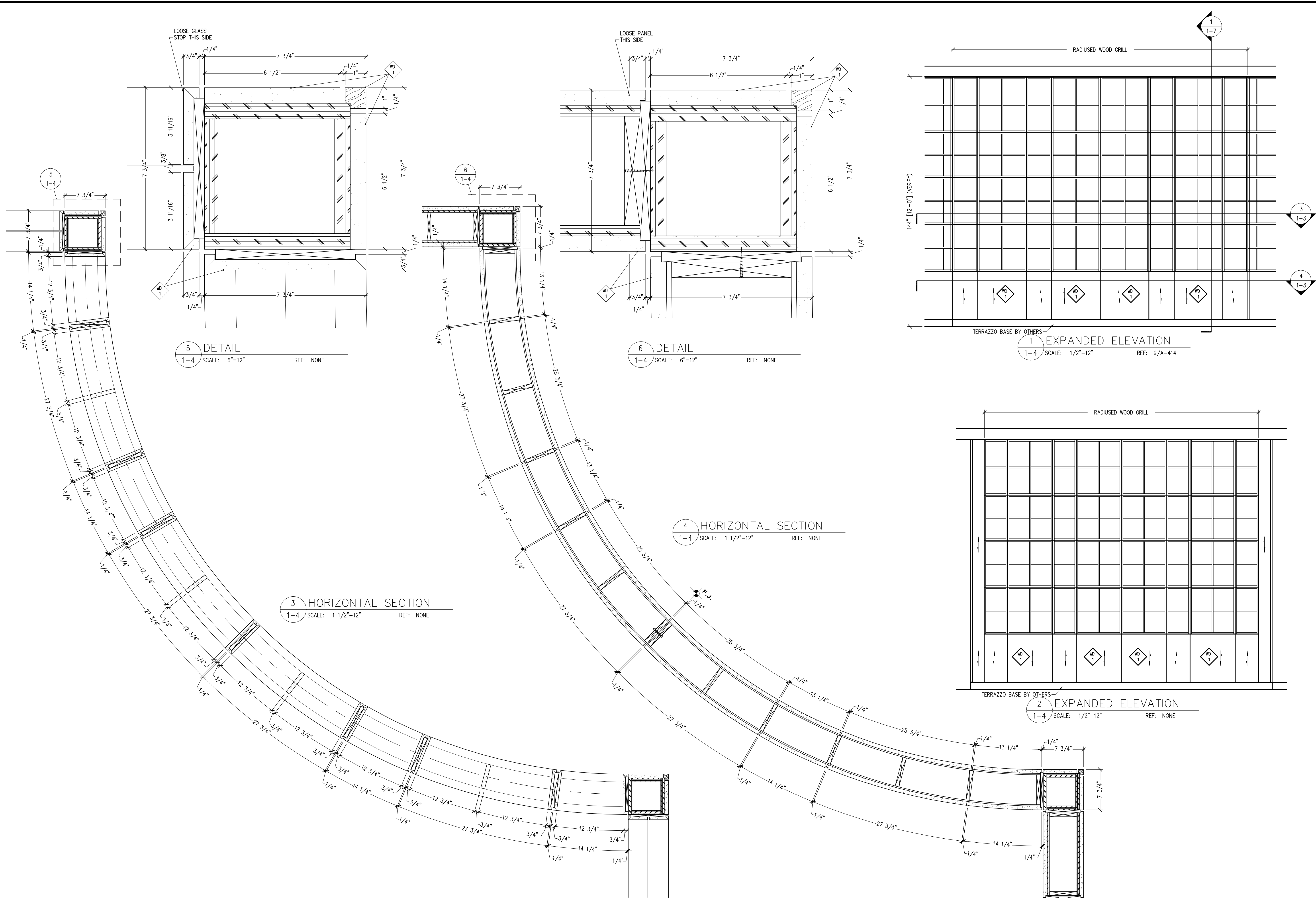
4 HORIZONTAL SECTION
1-3 SCALE: 1 1/2"=12"
REF: NONE



4 HORIZONTAL SECTION
1-3 SCALE: 1 1/2"=12"
REF: NONE

PROJECT NO.		
CUTBILL NO.		
PSI WORK ORDER NO.		
SCALE AS SHOWN		
DRAWN BY TM	DATE 05/09/06	
DELIVERY DATE		
REVISIONS		
NO.	DATE	DESCRIPTION
1		
2		
3		
4		
5		
6		
7		
8		
9		
10		
11		
12		
SHEET NO.		

1-3
PRELIMINARY



5 DETAIL
1-4 SCALE: 6"=12" REF: NONE

6 DETAIL
1-4 SCALE: 6"=12" REF: NONE

1 EXPANDED ELEVATION
1-4 SCALE: 1/2"-12" REF: 9/A-414

4 HORIZONTAL SECTION
1-4 SCALE: 1 1/2"-12" REF: NONE

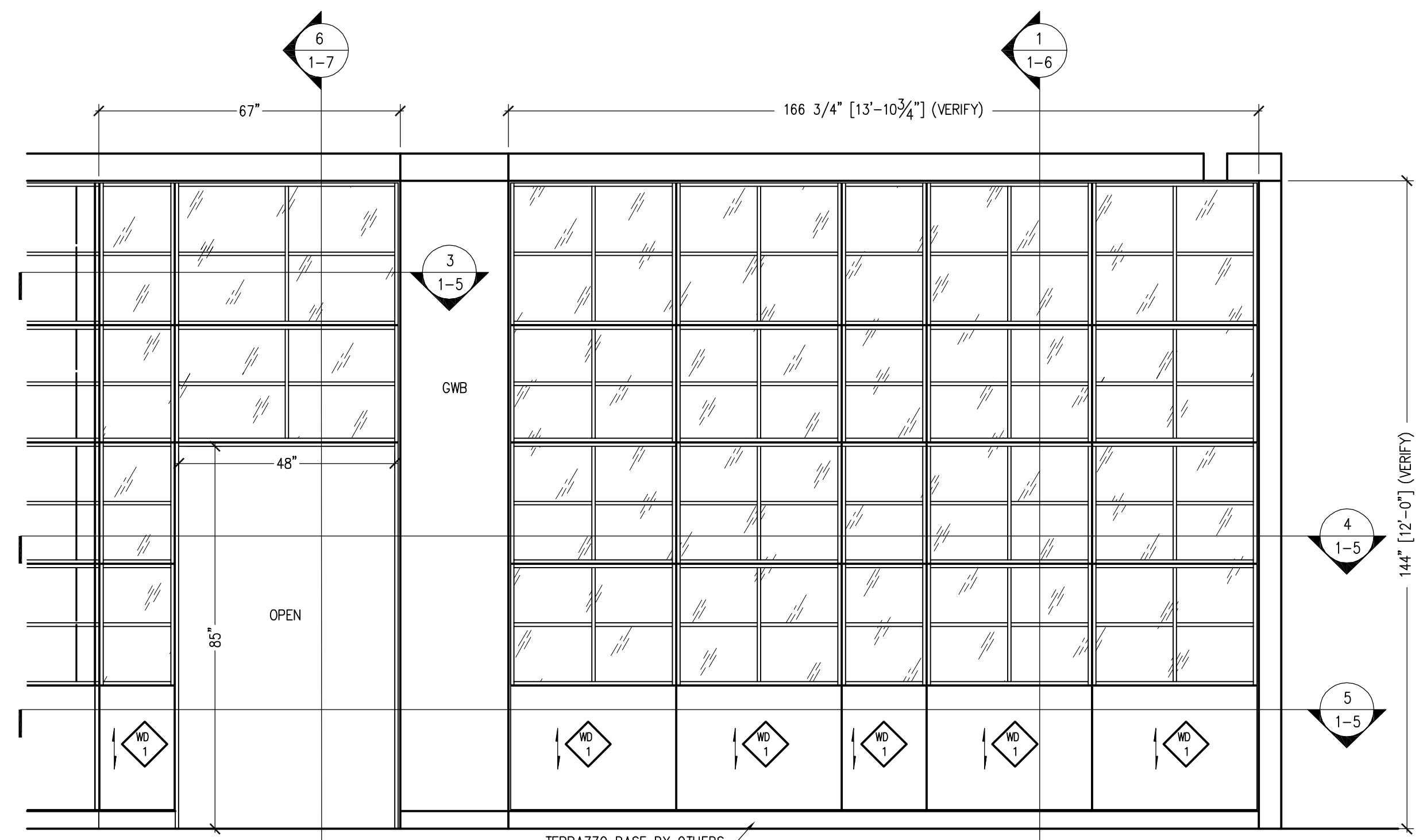
3 HORIZONTAL SECTION
1-4 SCALE: 1 1/2"-12" REF: NONE

2 EXPANDED ELEVATION
1-4 SCALE: 1/2"-12" REF: NONE

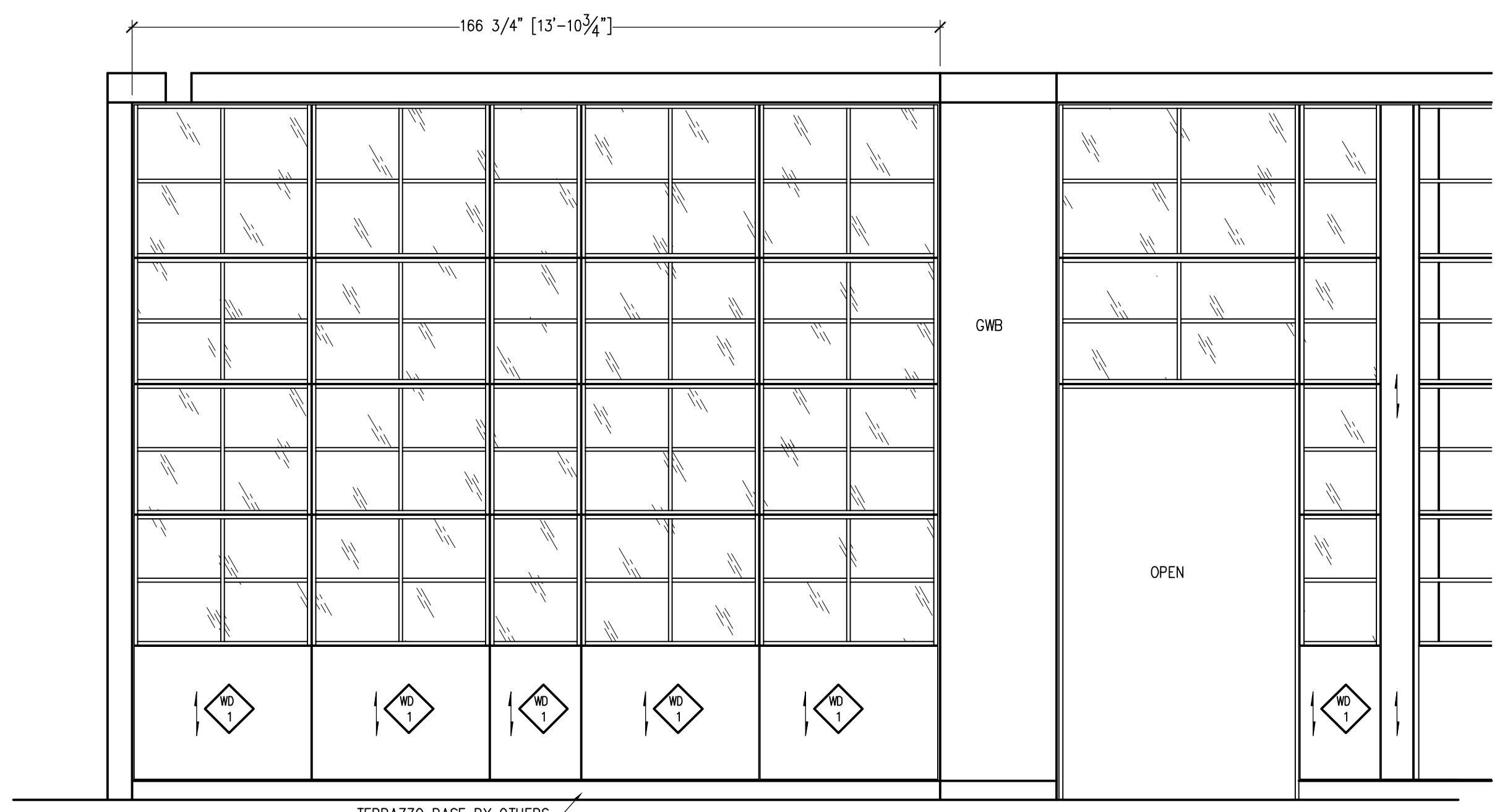
PROJECT NO.
CUTBILL NO.
PSI WORK ORDER NO.
SCALE AS SHOWN
DRAWN BY TM DATE 05/09/06
DELIVERY DATE

REVISIONS		
NO.	DATE	DESCRIPTION
1		
2		
3		
4		
5		
6		
7		
8		
9		
10		
11		
12		

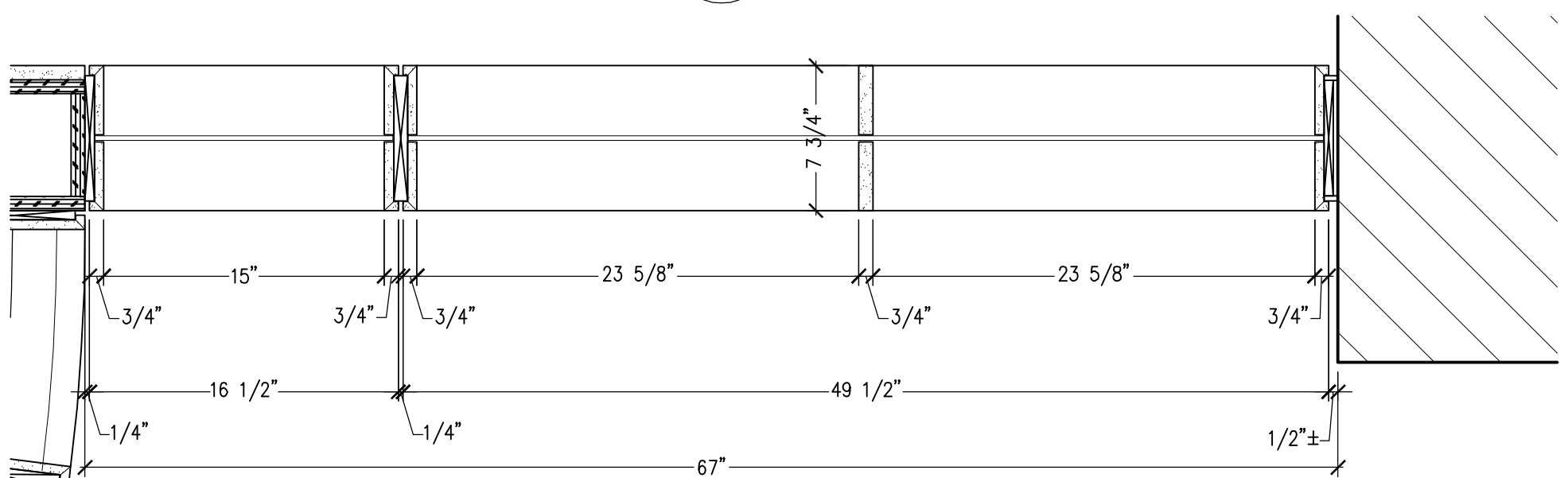
SHEET NO.
1-4
PRELIMINARY



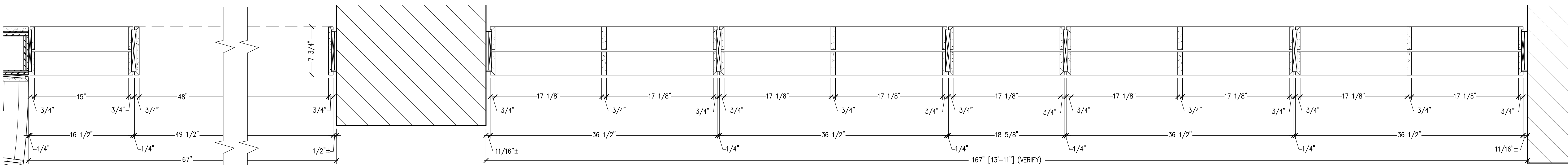
1 ELEVATION
 1-5 SCALE: 1/2"-12"
 RM 1A01, CAFE
 REF: 4/A-414



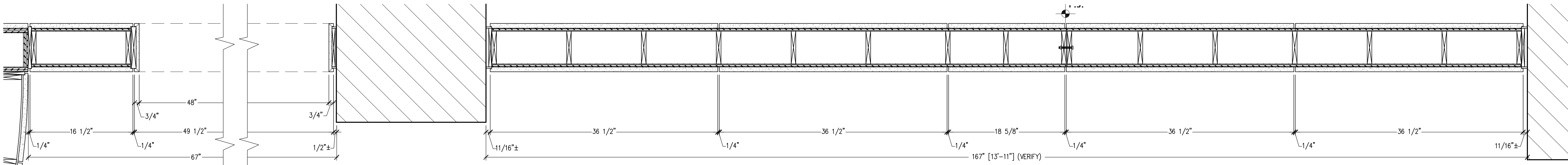
2 ELEVATION
 1-5 SCALE: 1/2"-12"
 RM 1A01, CAFE
 REF: NONE



3 HORIZONTAL SECTION
 1-5 SCALE: 1 1/2"-12"
 REF: NONE



4 HORIZONTAL SECTION
 1-5 SCALE: 1 1/2"-12"
 REF: NONE

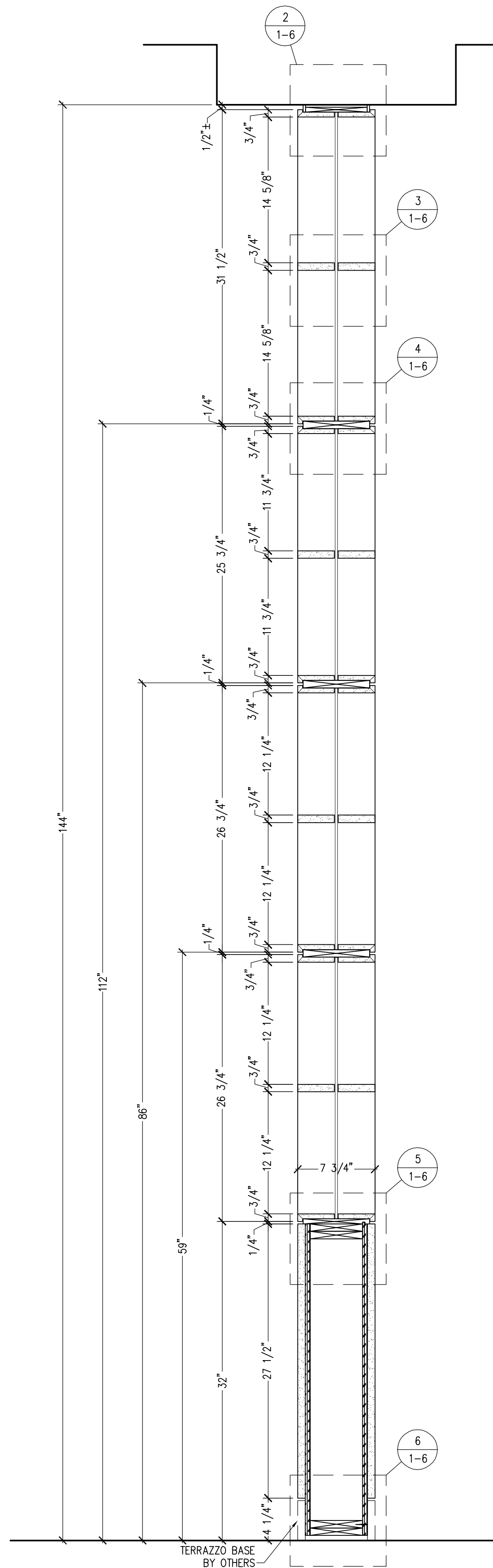


5 HORIZONTAL SECTION
 1-5 SCALE: 1 1/2"-12"
 REF: NONE

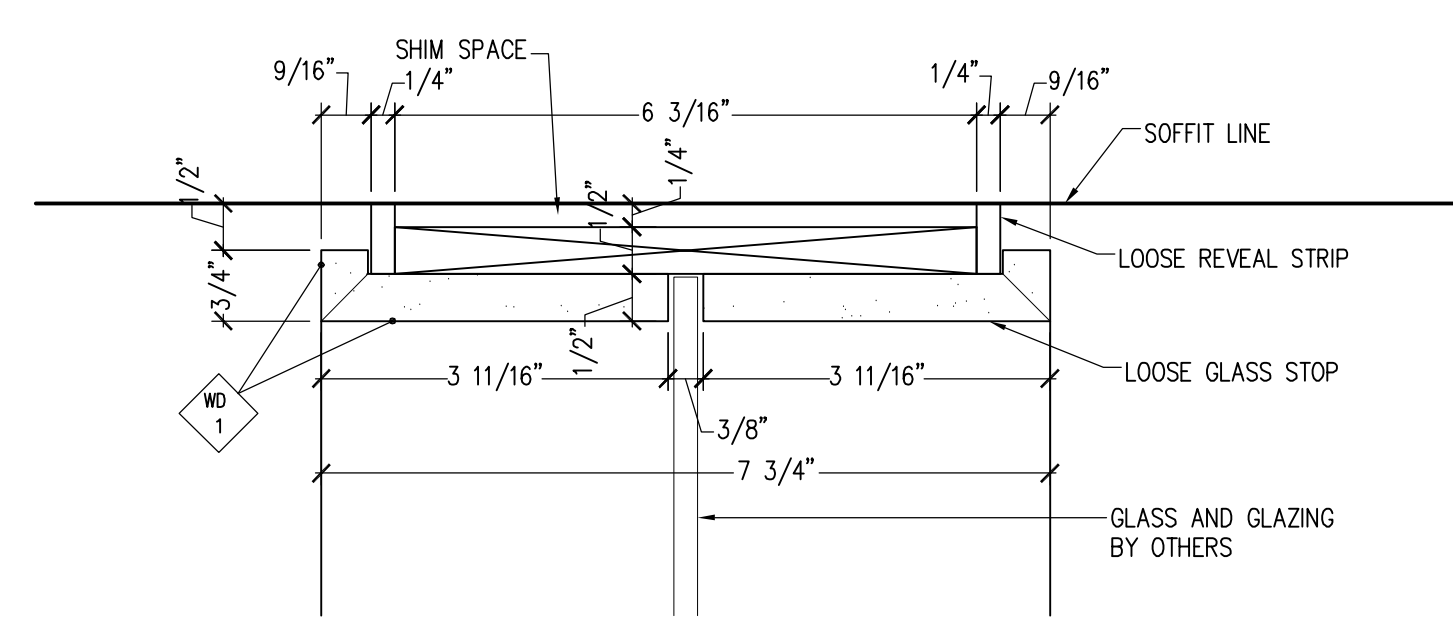
PROJECT NO.	
CUTBILL NO.	
PSI WORK ORDER NO.	
SCALE	AS SHOWN
DRAWN BY	DATE
TM	05/09/06
DELIVERY DATE	

REVISIONS		
NO.	DATE	DESCRIPTION
1		
2		
3		
4		
5		
6		
7		
8		
9		
10		
11		
12		

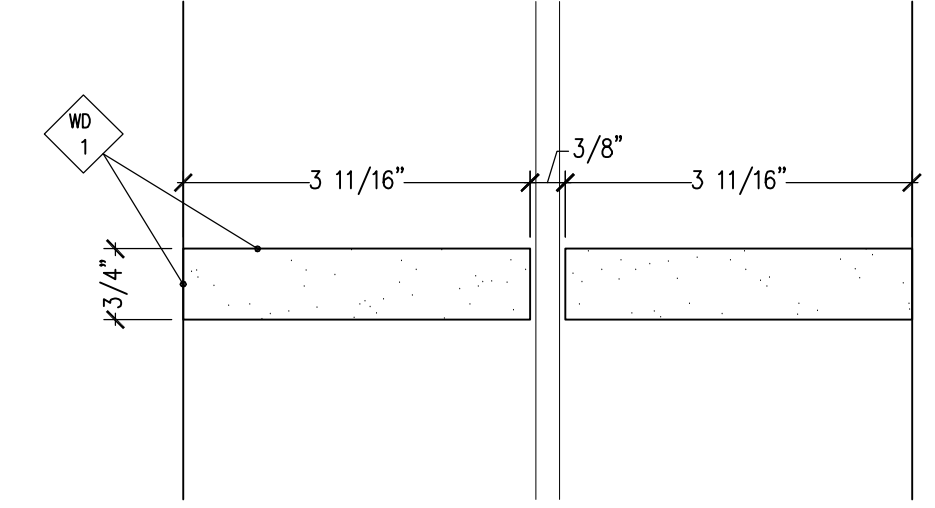
SHEET NO.
 1-5
 PRELIMINARY



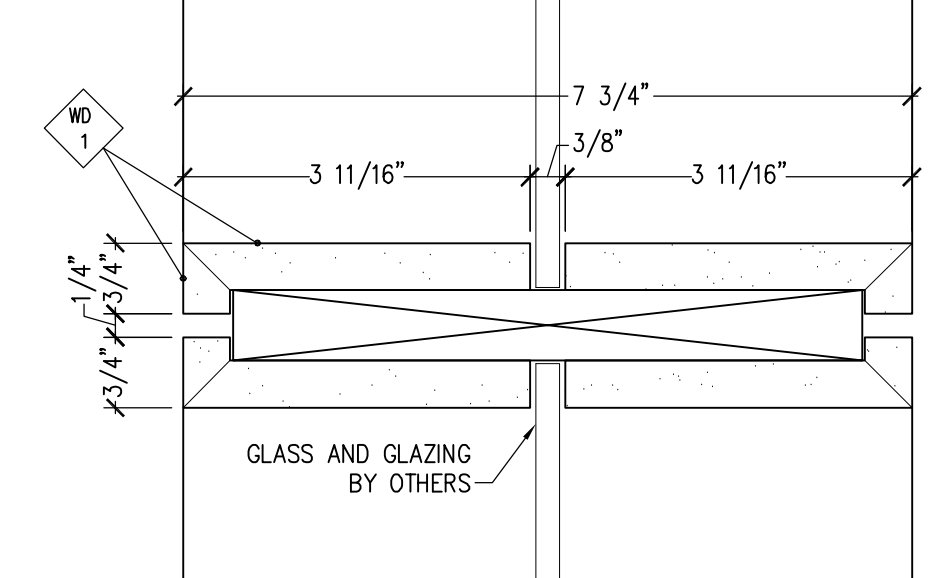
1 VERTICAL SECTION
1-6 SCALE: 1 1/2"-12" REF: 1/A-531



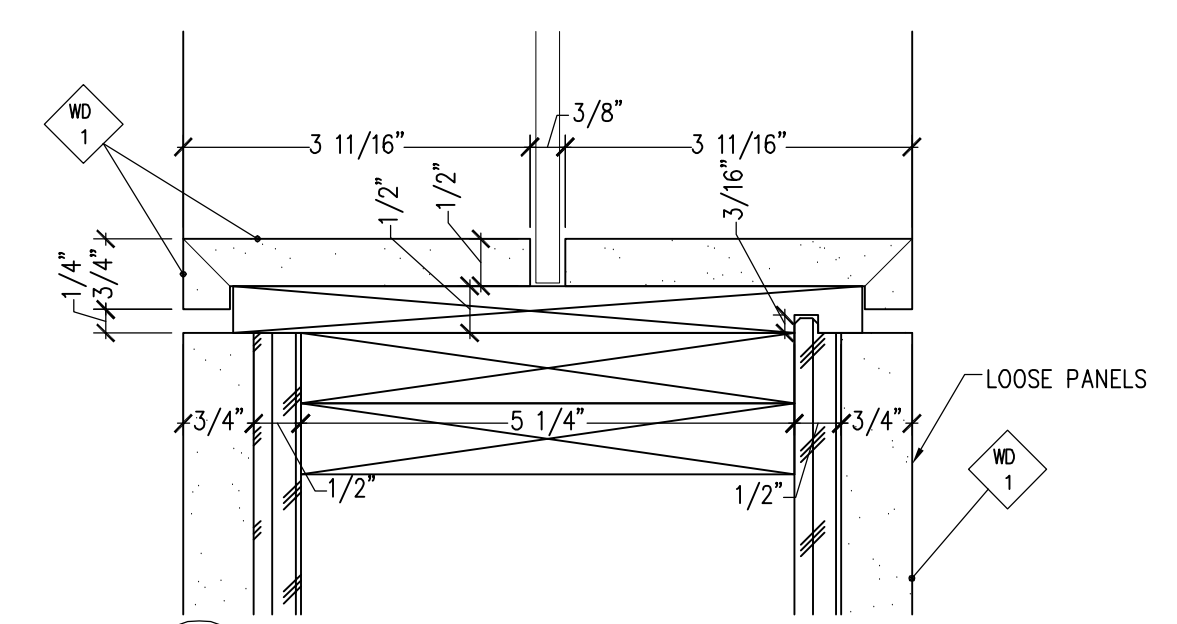
2 DETAIL
1-6 SCALE: 6"-12" REF: 15C/A-531



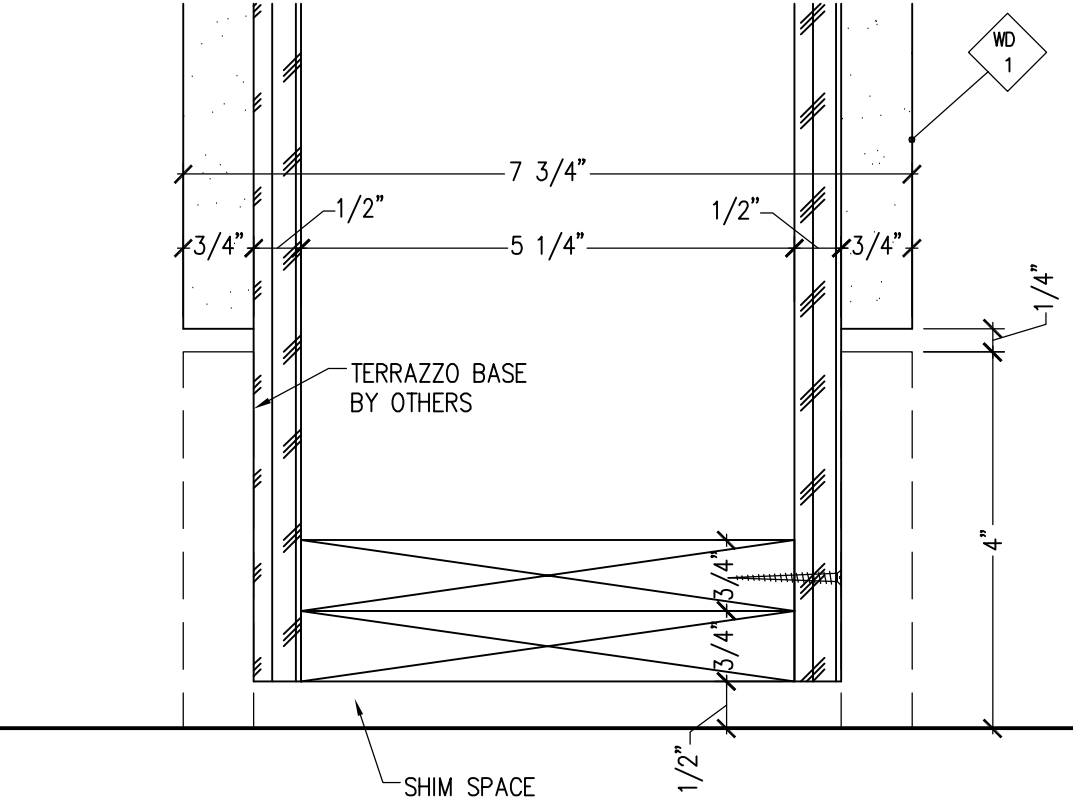
3 DETAIL
1-6 SCALE: 6"-12" REF: NONE



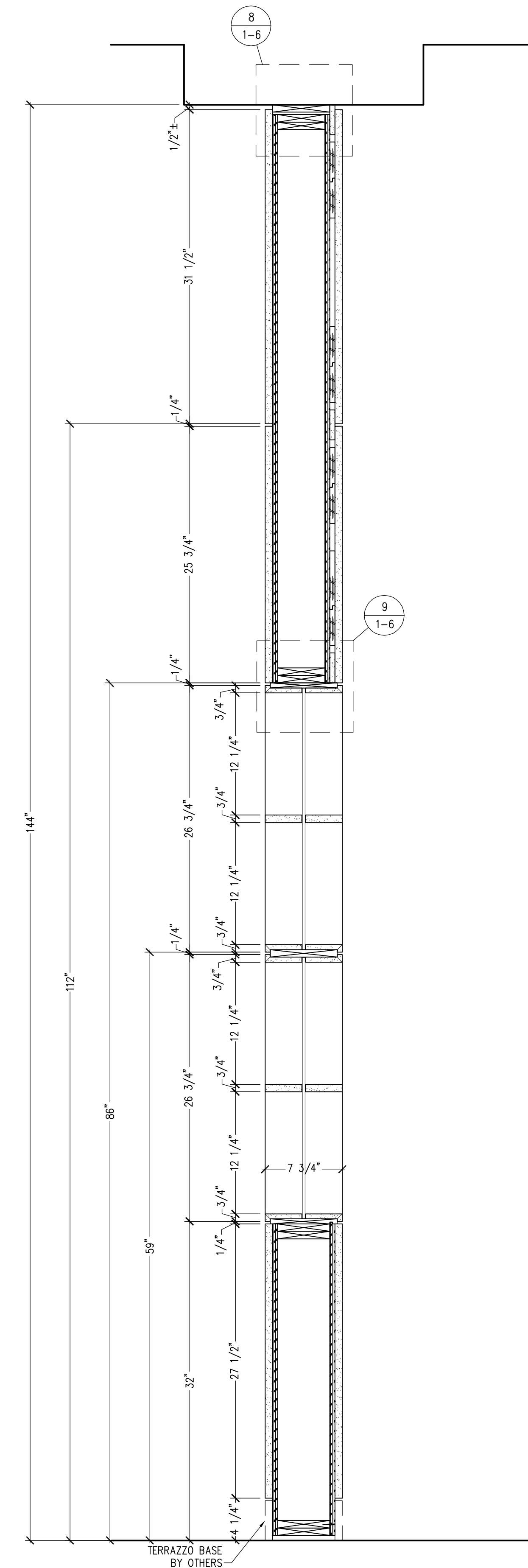
4 DETAIL
1-6 SCALE: 6"-12" REF: 15B/A-531



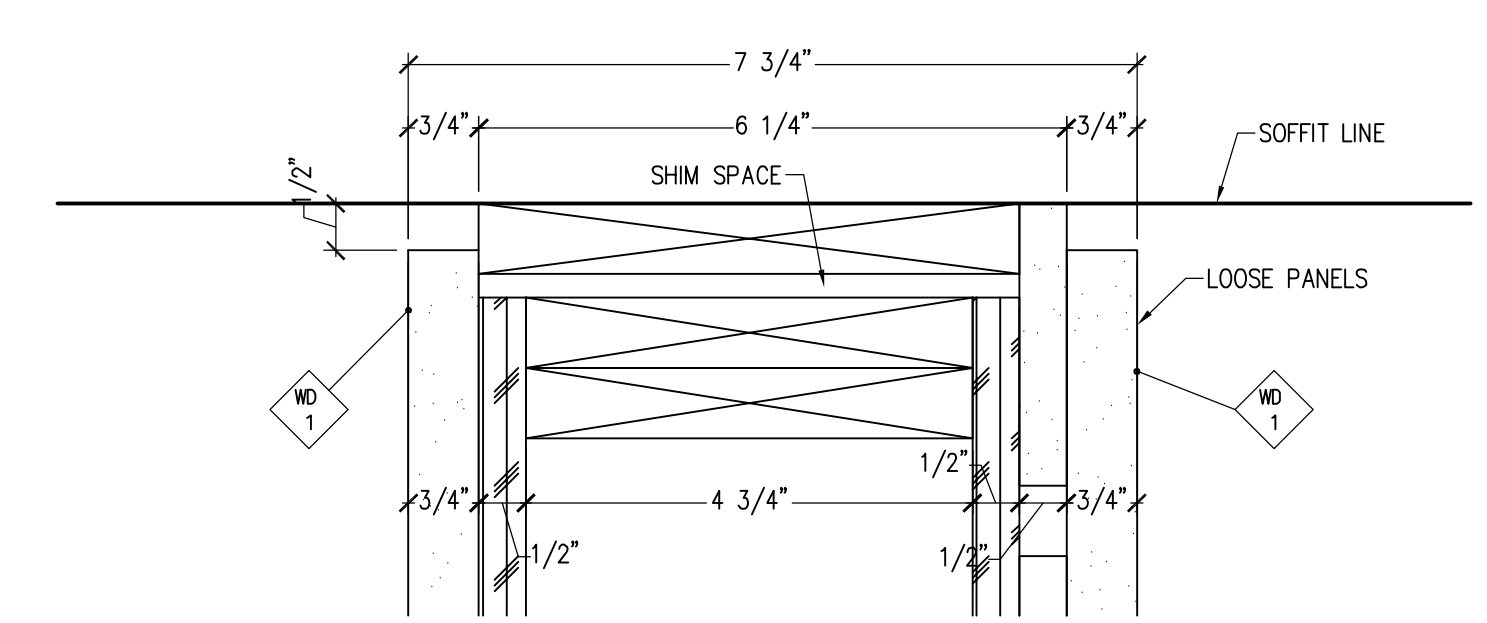
5 DETAIL
1-6 SCALE: 6"-12" REF: 15A/A-531



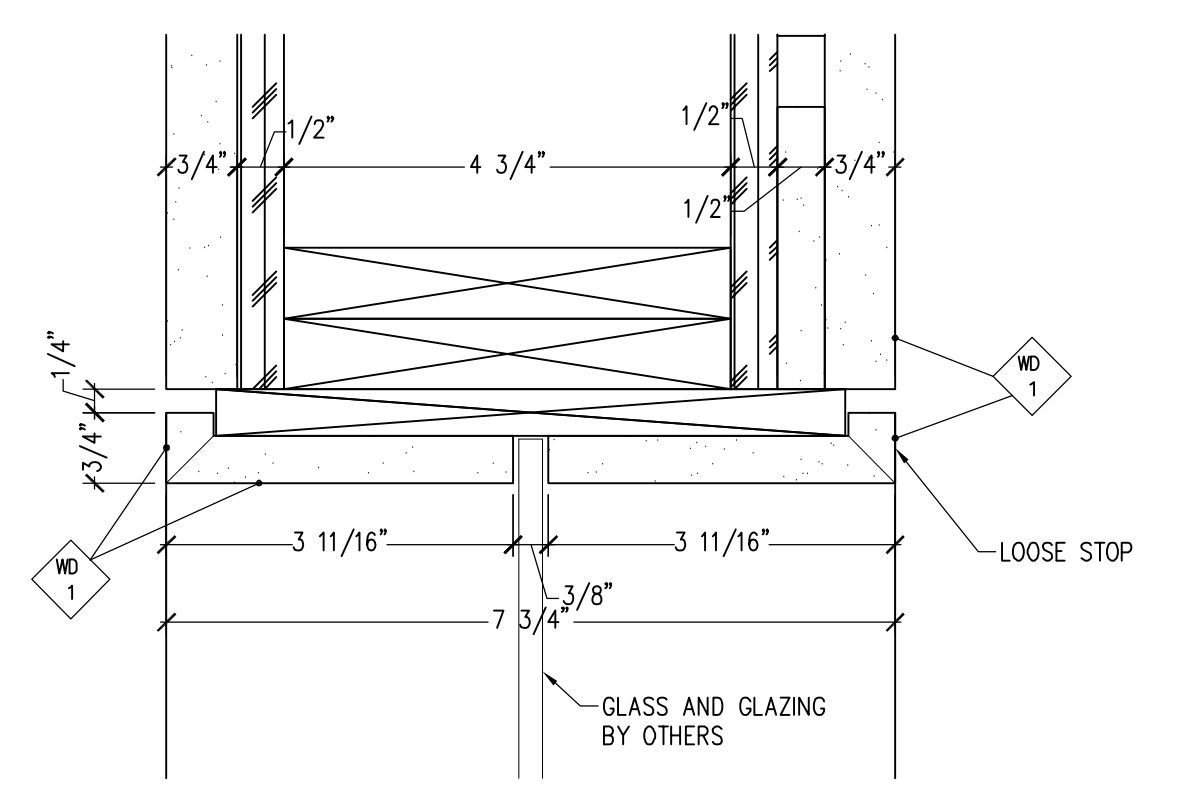
6 DETAIL
1-6 SCALE: 6"-12" REF: 15C/A-531



7 VERTICAL SECTION
1-6 SCALE: 1 1/2"-12" REF: 1/A-531



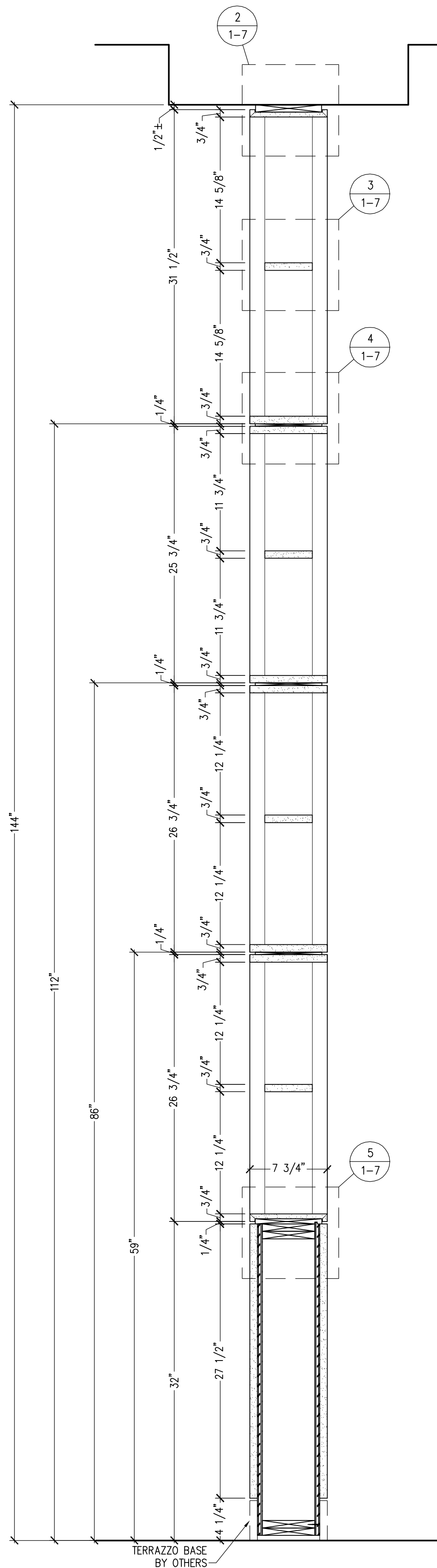
8 DETAIL
1-6 SCALE: 6"-12" REF: NONE



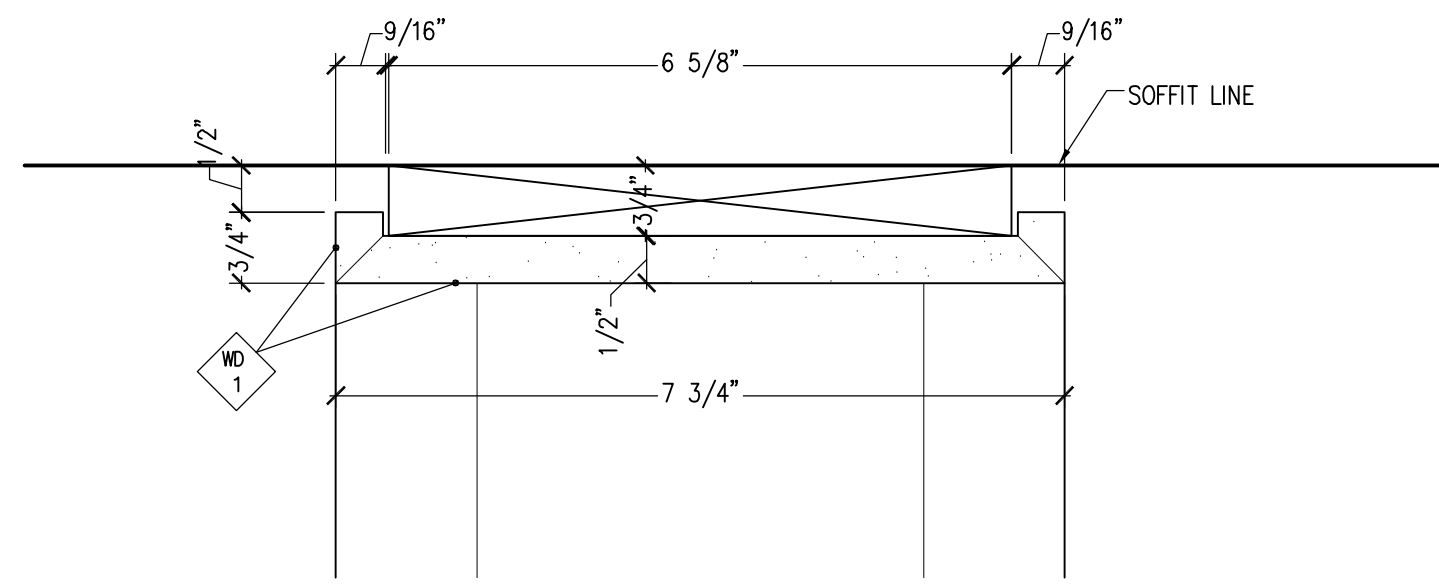
9 DETAIL
1-6 SCALE: 6"-12" REF: NONE

PROJECT NO.		
CUTBILL NO.		
PSI WORK ORDER NO.		
SCALE AS SHOWN		
DRAWN BY TM	DATE 05/10/06	
DELIVERY DATE		
REVISIONS		
NO.	DATE	DESCRIPTION
1		
2		
3		
4		
5		
6		
7		
8		
9		
10		
11		
12		
SHEET NO.		

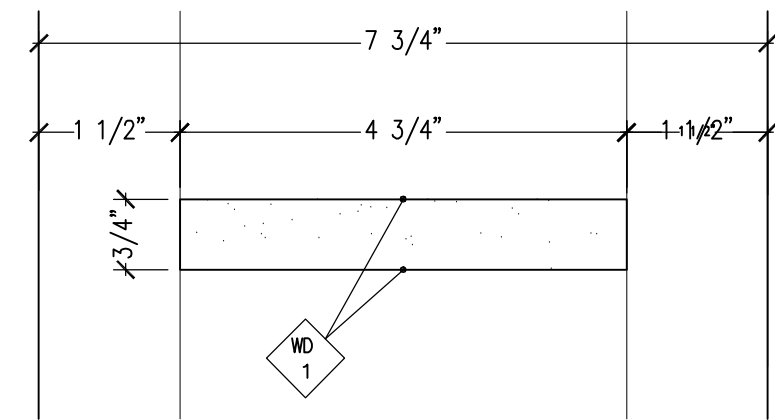
1-6
PRELIMINARY



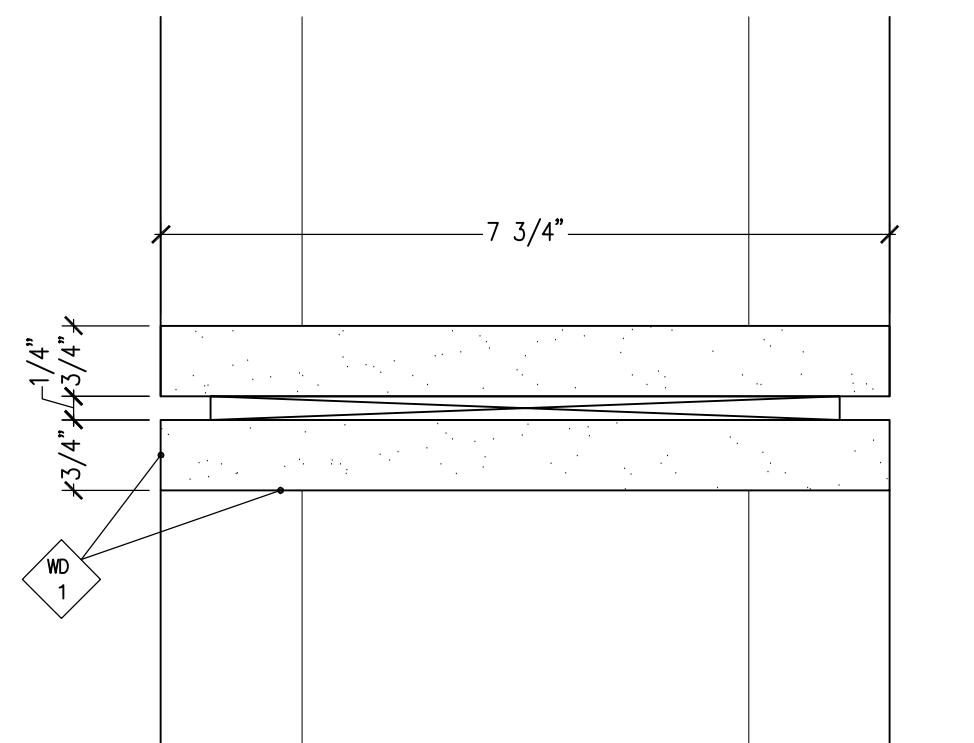
1 VERTICAL SECTION
1-7 SCALE: 1 1/2"=12" REF: 1/A-532



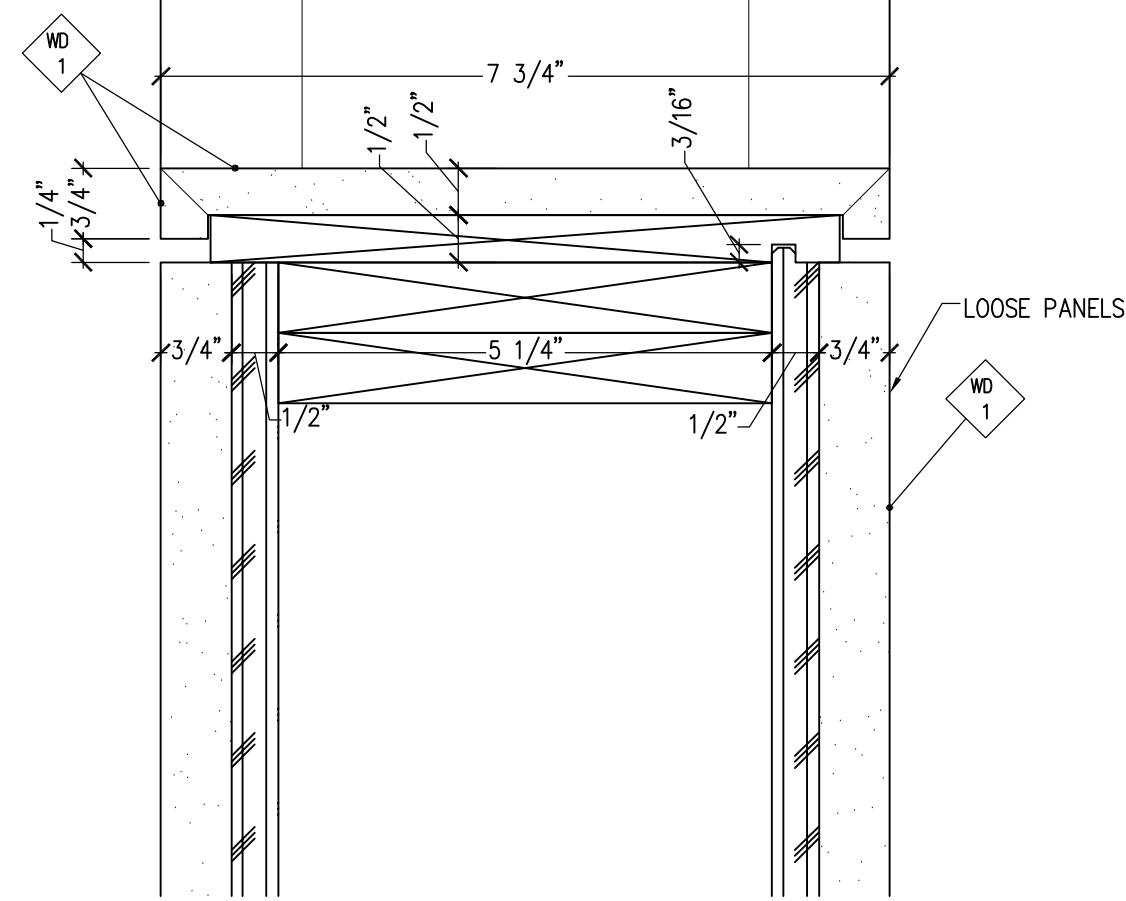
2 DETAIL
1-7 SCALE: 6"=12" REF: NONE



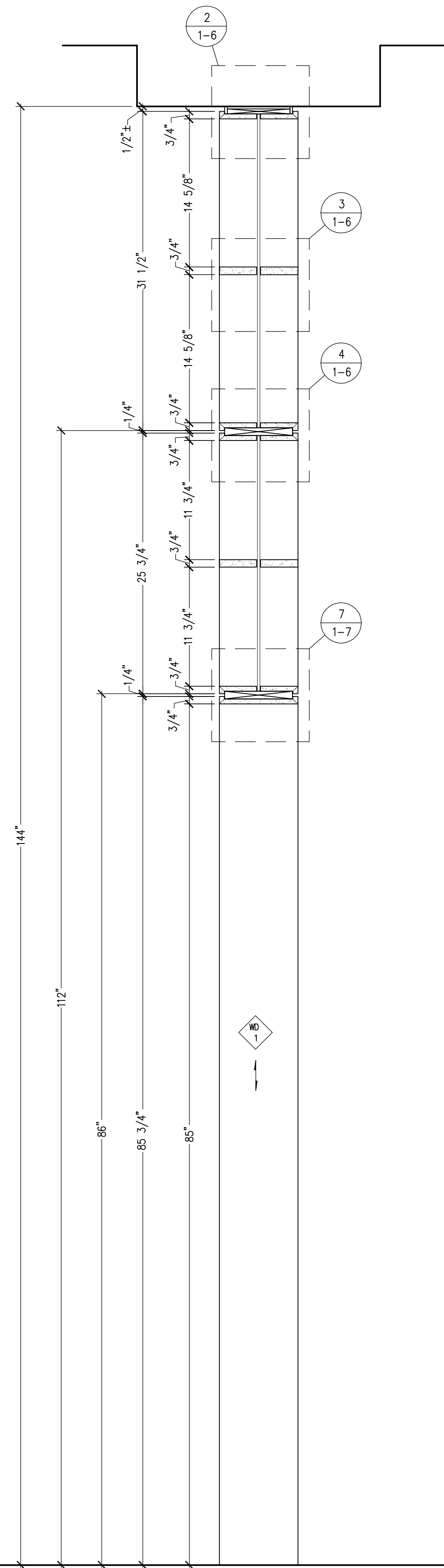
3 DETAIL
1-7 SCALE: 6"=12" REF: NONE



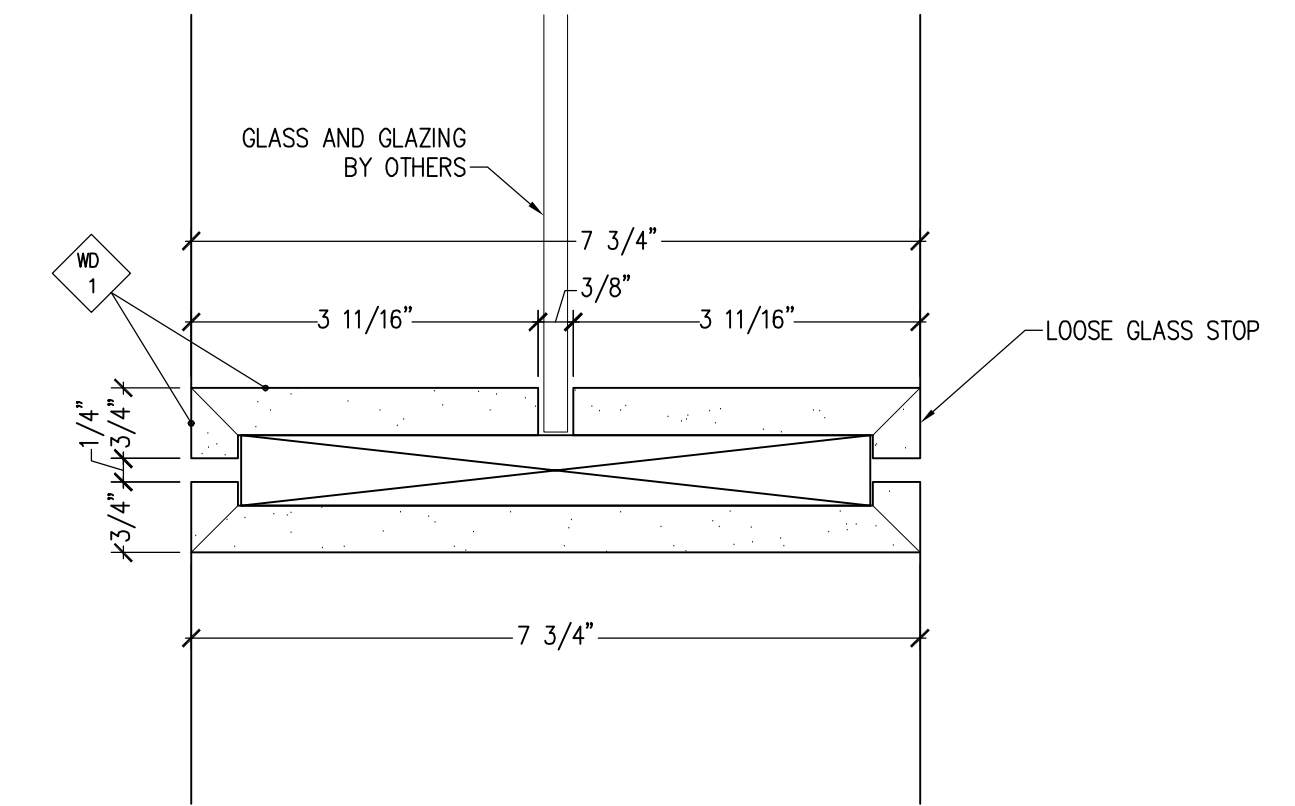
4 DETAIL
1-7 SCALE: 6"=12" REF: NONE



5 DETAIL
1-7 SCALE: 6"=12" REF: NONE



6 VERTICAL SECTION
1-7 SCALE: 1 1/2"=12" REF: NONE



7 DETAIL
1-7 SCALE: 6"=12" REF: NONE

PROJECT NO.

CUTBILL NO.

PSI WORK ORDER NO.

SCALE
AS SHOWN

DRAWN BY
TM DATE
05/10/06

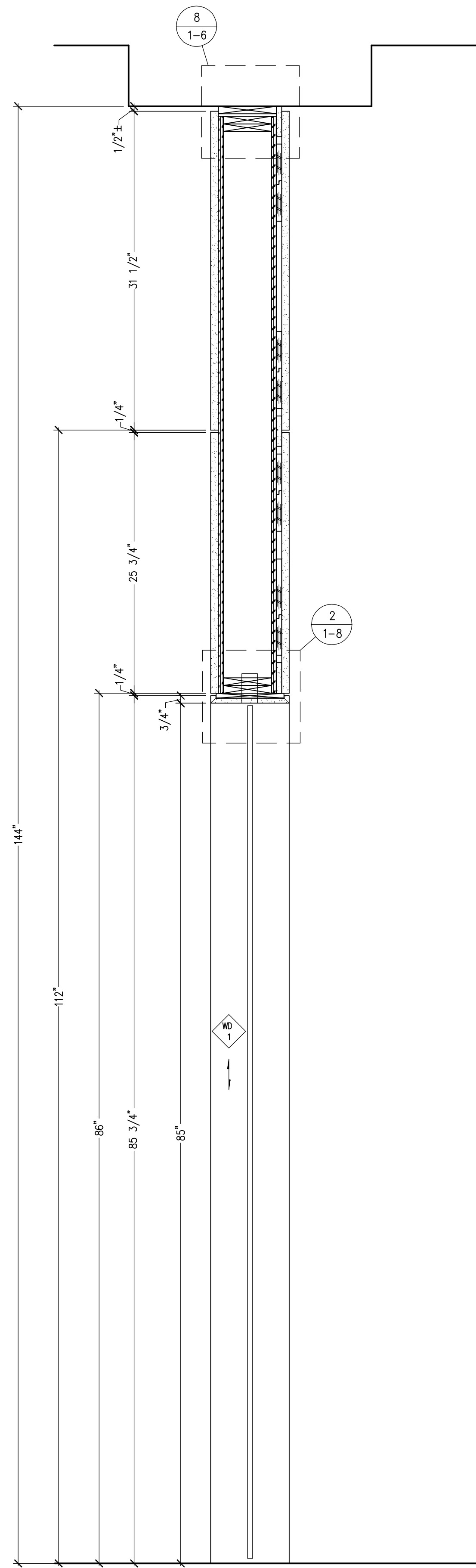
DELIVERY DATE

REVISIONS		
NO.	DATE	DESCRIPTION
1		
2		
3		
4		
5		
6		
7		
8		
9		
10		
11		
12		

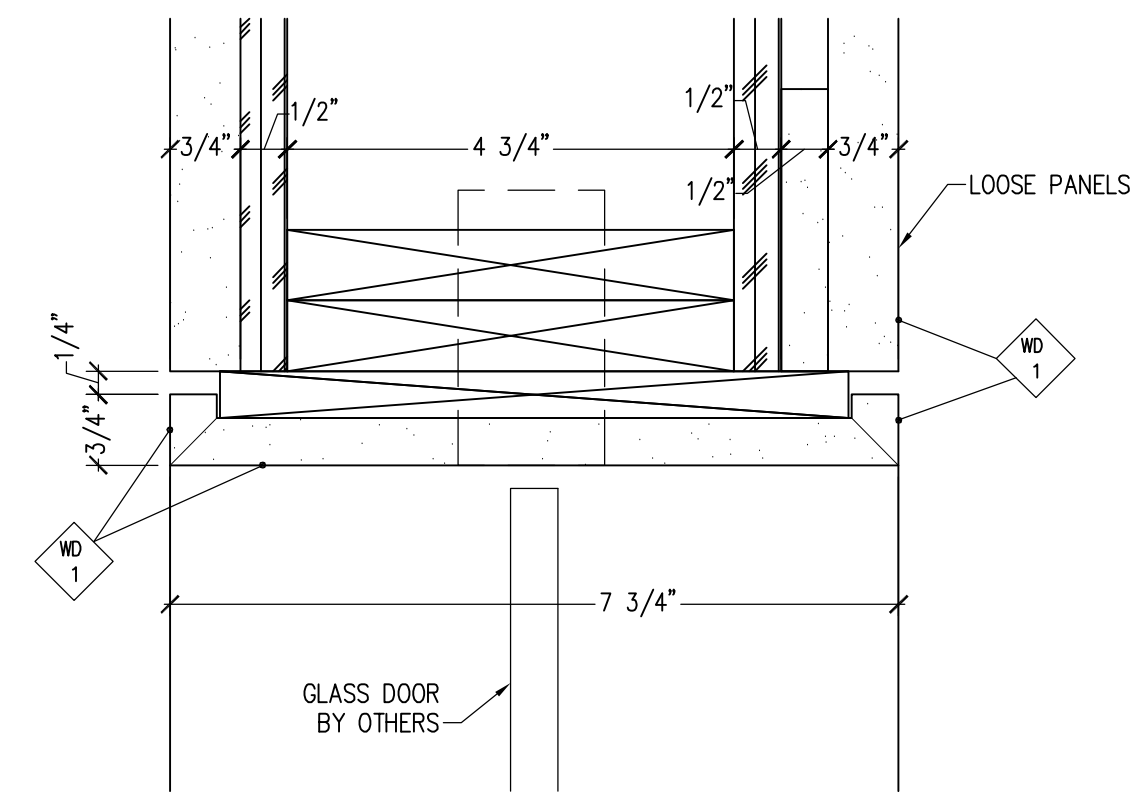
SHEET NO.

1-7

PRELIMINARY



1 VERTICAL SECTION
1-8 SCALE: 1 1/2"-12" REF: NONE



2 DETAIL
1-8 SCALE: 6"-12" REF: NONE

PROJECT NO.
CUTBILL NO.
PSI WORK ORDER NO.
SCALE
AS SHOWN
DRAWN BY
TM DATE
05/10/06
DELIVERY DATE

REVISIONS		
NO.	DATE	DESCRIPTION
1		
2		
3		
4		
5		
6		
7		
8		
9		
10		
11		
12		

SHEET NO.
1-8
PRELIMINARY